



US00D888156S

(12) **United States Design Patent**
Hornbachner et al.

(10) **Patent No.:** **US D888,156 S**
(45) **Date of Patent:** **** Jun. 23, 2020**

(54) **LUMINOUS ADVERTISING PANEL**

(71) Applicant: **ICGH Investment and Consulting GmbH**, Vienna (AT)

(72) Inventors: **Dieter Hornbachner**, Vienna (AT);
Ismar Mulalic, Vienna (AT)

(73) Assignee: **ICGH INVESTMENT AND CONSULTING GMBH**, Vienna (AT)

(**) Term: **15 Years**

(21) Appl. No.: **29/660,663**

(22) Filed: **Aug. 22, 2018**

(30) **Foreign Application Priority Data**

Feb. 26, 2018 (EM) 004726313-0002

(51) **LOC (12) Cl.** **20-03**

(52) **U.S. Cl.**
USPC **D20/39**

(58) **Field of Classification Search**

USPC D10/109.1, 109.2, 113.4; D11/165, 166,
D11/181, 182; D20/10, 19, 21, 29, 37,
D20/39, 40, 41, 42, 43, 99
CPC G09F 7/00; G09F 7/12; G09F 7/14; G09F
7/16; G09F 7/18; G09F 2007/122; G09F
2007/1804; G09F 2007/1834; G09F
2007/1886; G09F 9/00; G09F 13/00;
G09F 13/02; G09F 13/04; G09F 13/0018;
G09F 13/22; G09F 2003/1895; G09F
15/00; G09F 15/0037; G09F 15/02; G09F
15/025; G09F 17/00; G09F 2007/0075;
G09F 23/00

See application file for complete search history.

(56) **References Cited**

U.S. PATENT DOCUMENTS

D407,119 S * 3/1999 Kwan D20/21
D438,258 S * 2/2001 Itoh D20/10

D452,710 S * 1/2002 Ragot D20/10
D453,192 S * 1/2002 Gentelia D20/10
D453,194 S * 1/2002 Gentelia D20/41
D458,641 S * 6/2002 Marcos D20/10
D518,109 S * 3/2006 Opolka D20/42
D586,859 S * 2/2009 King D20/39
D587,316 S * 2/2009 Giugiaro D20/39
D587,760 S * 3/2009 Miranda D20/39
D587,761 S * 3/2009 Grimshaw D20/39
D590,890 S * 4/2009 King D20/39
D602,992 S * 10/2009 Giugiaro D20/41

* cited by examiner

Primary Examiner — Mary Ann Calabrese

Assistant Examiner — Catherine Ho

(74) *Attorney, Agent, or Firm* — Hoffmann & Baron, LLP

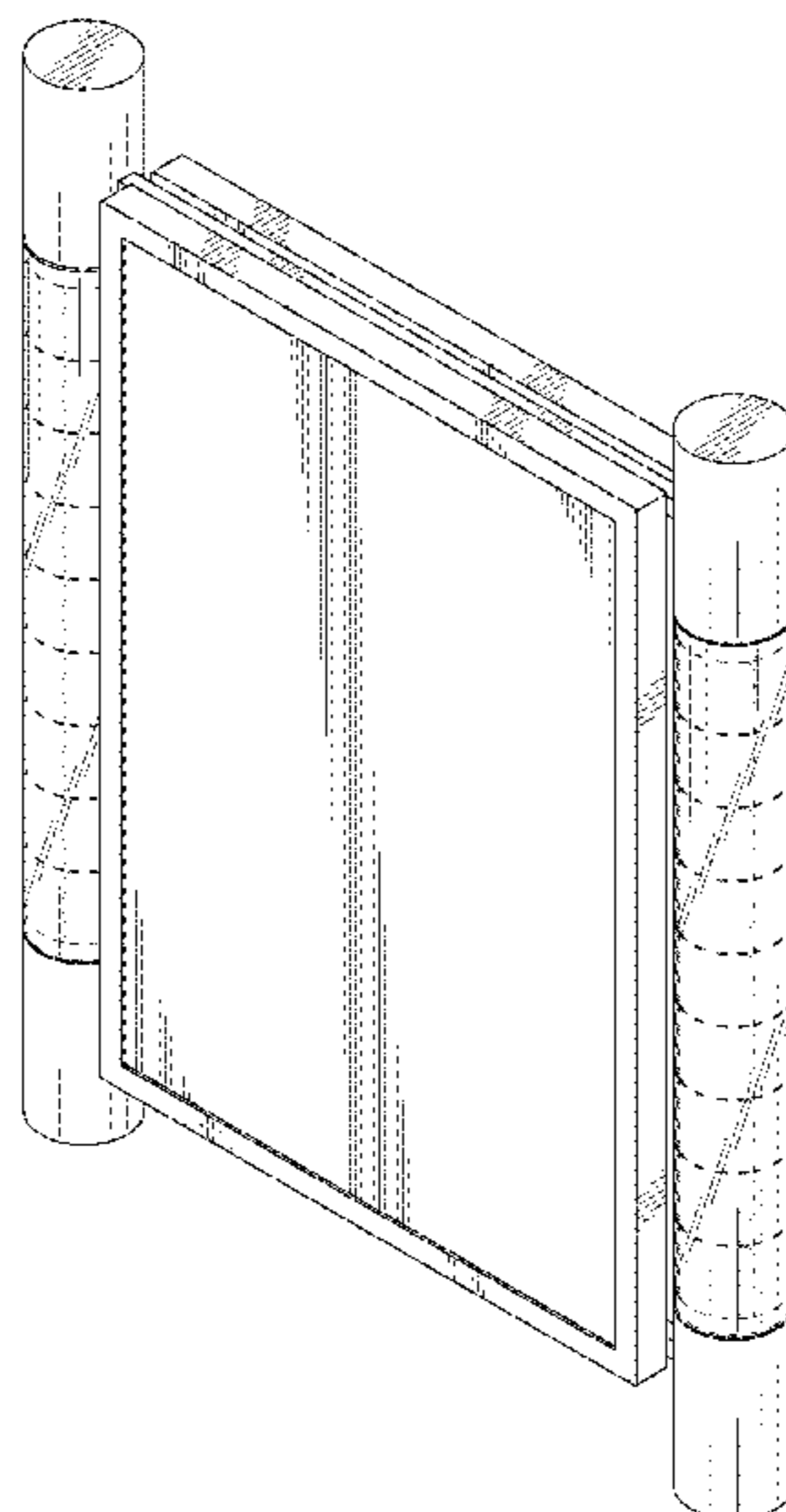
(57) **CLAIM**

The ornamental design for a luminous advertising panel, as shown and described.

DESCRIPTION

FIG. 1 is a perspective view of a luminous advertising panel, showing our new design;
FIG. 2 is a front view of the luminous advertising panel shown in FIG. 1;
FIG. 3 is a left side view of the luminous advertising panel shown in FIG. 1;
FIG. 4 is a rear view of the luminous advertising panel as shown in FIG. 1;
FIG. 5 is a right side view of the luminous advertising panel shown in FIG. 1;
FIG. 6 is a top elevational view of the luminous advertising panel shown in FIG. 1; and,
FIG. 7 is a bottom elevational view of the luminous advertising panel shown in FIG. 1.
The broken lines shown in the figures illustrates environment that forms no part of the claimed design.

1 Claim, 5 Drawing Sheets



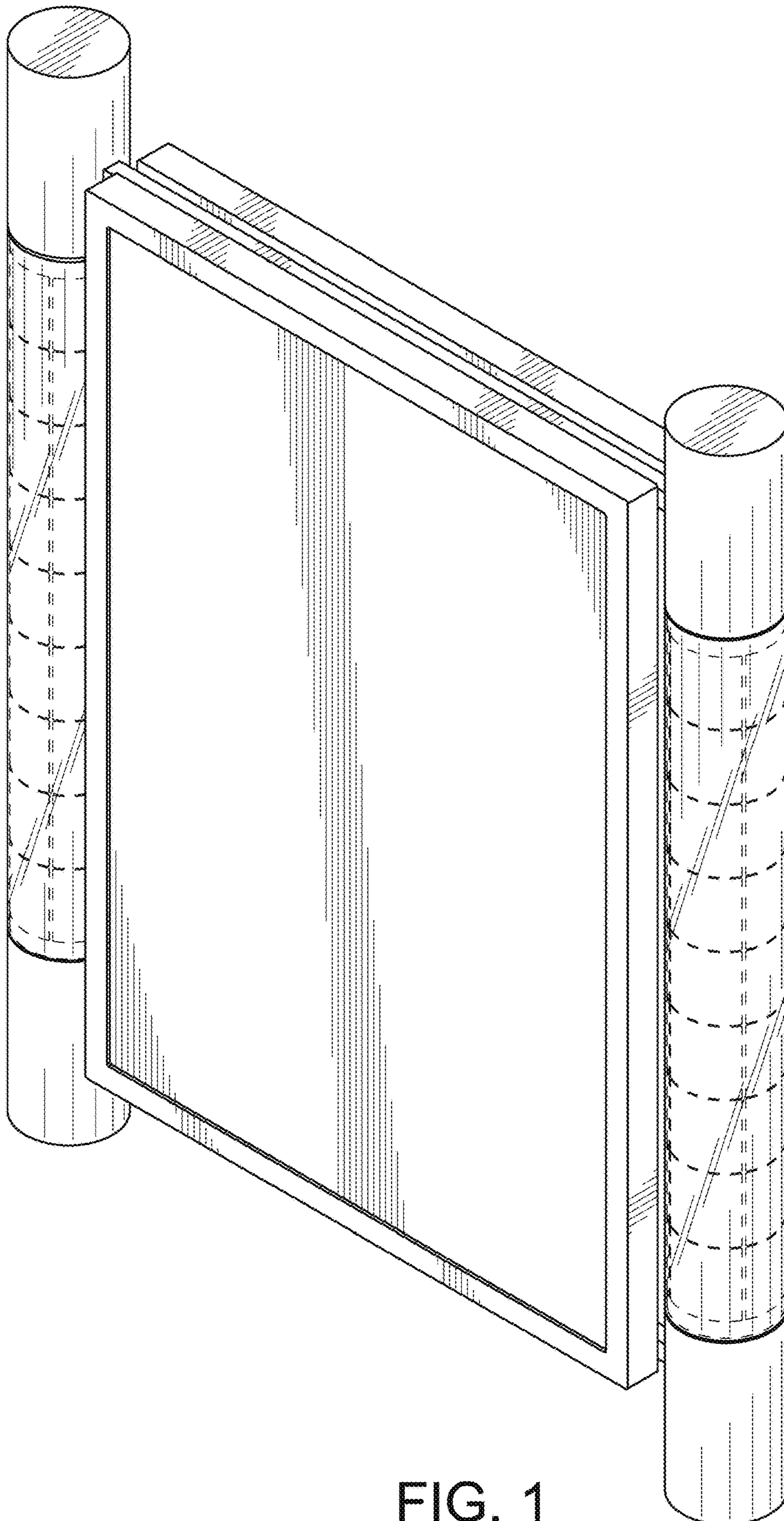


FIG. 1

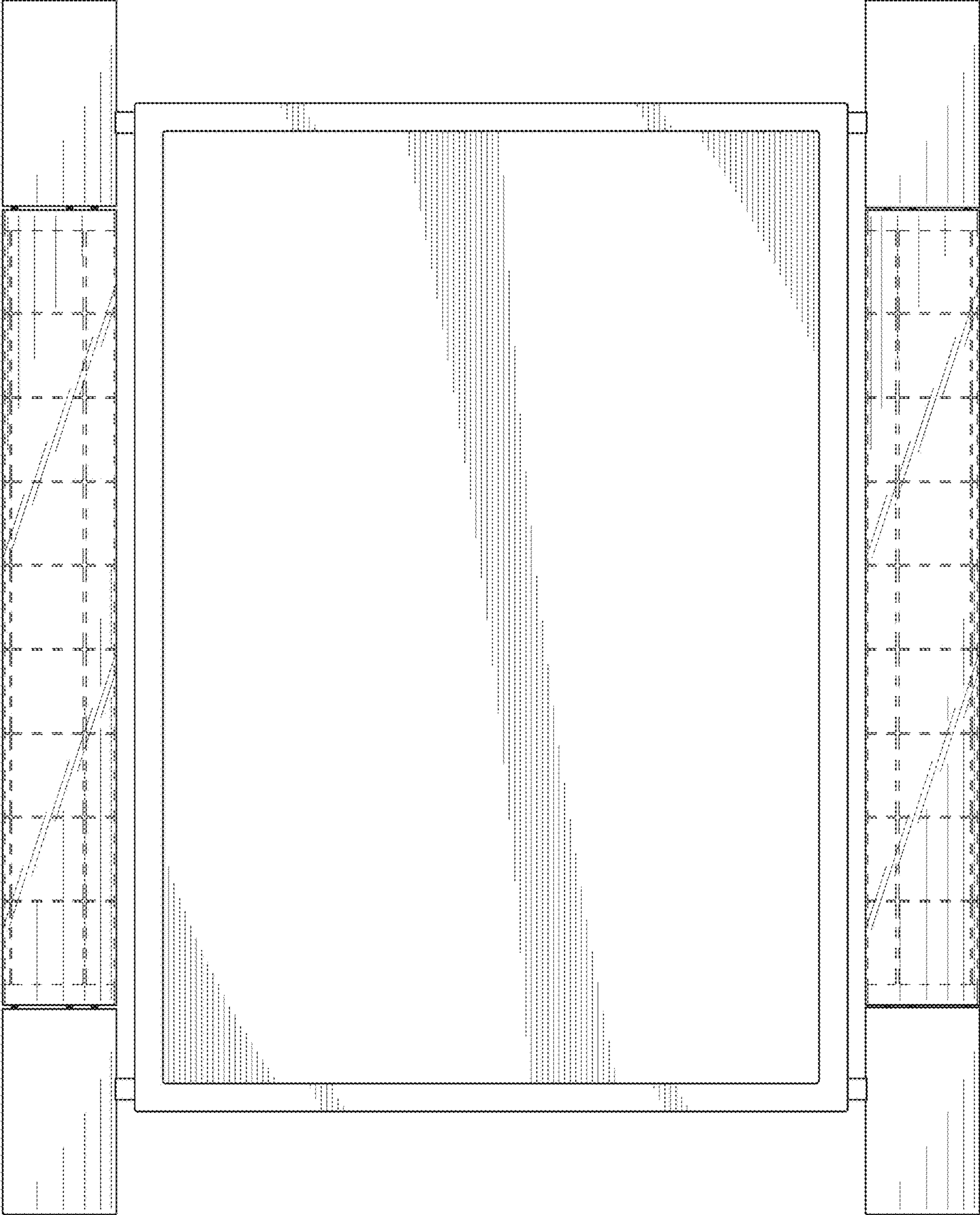


FIG. 2

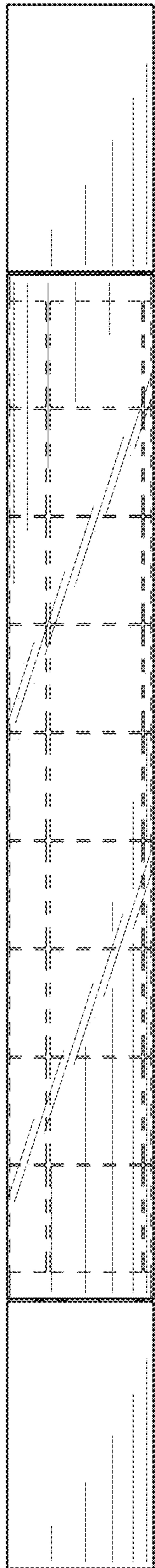


FIG. 3

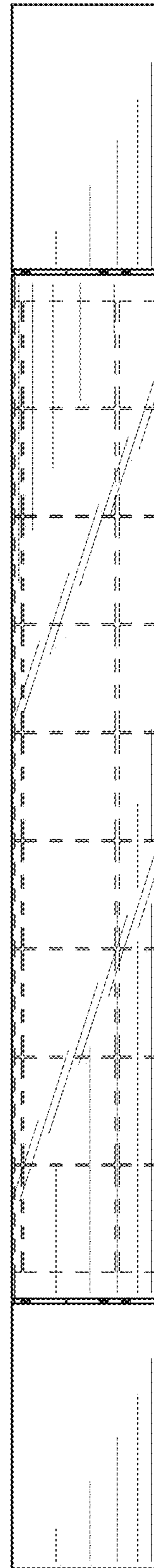


FIG. 5

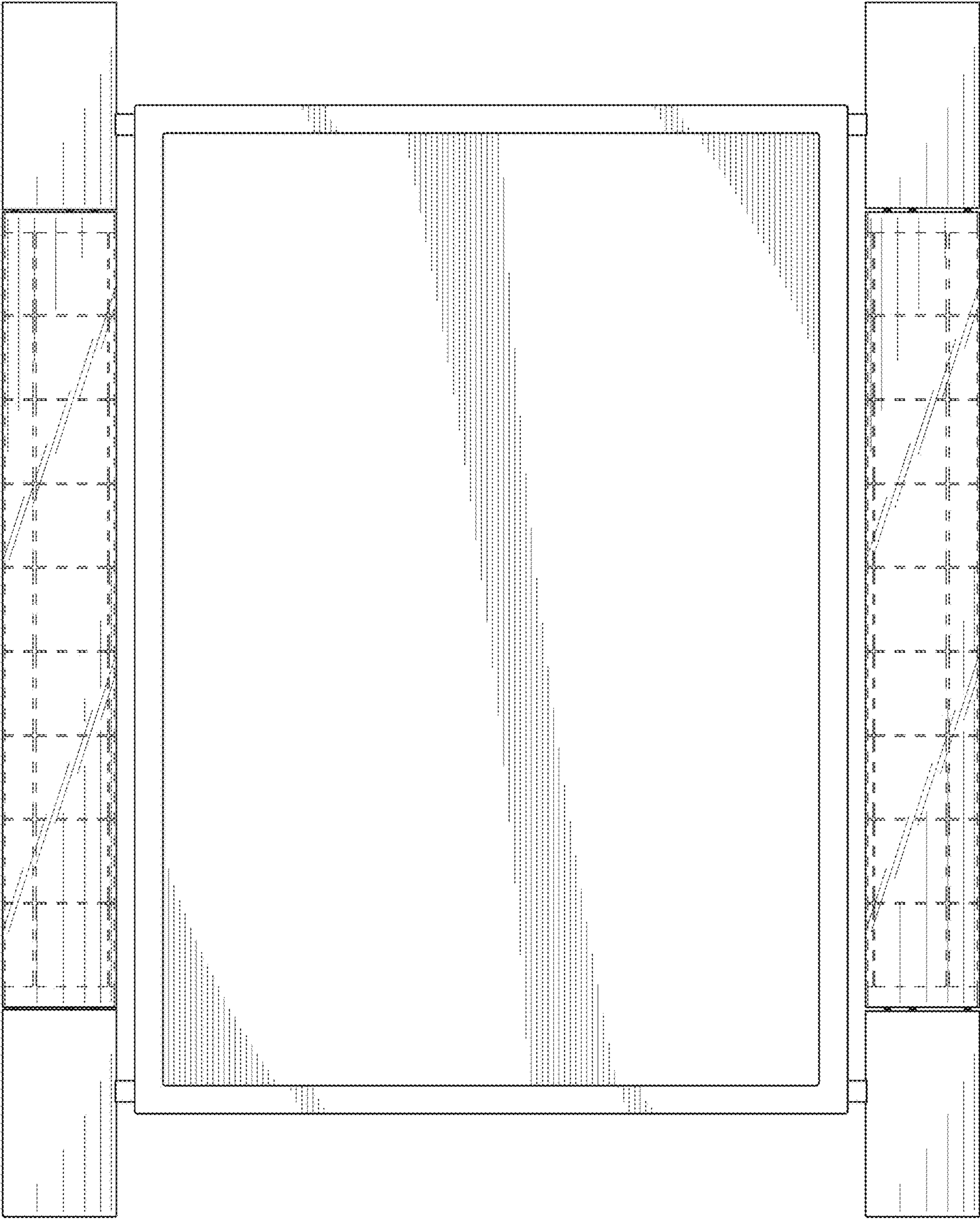


FIG. 4

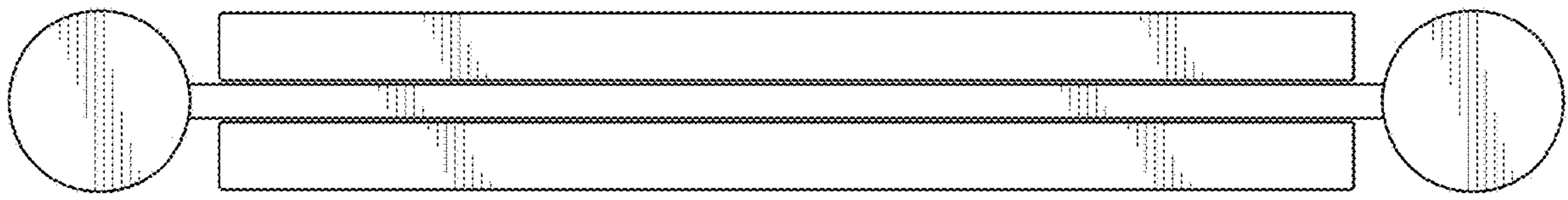


FIG. 6

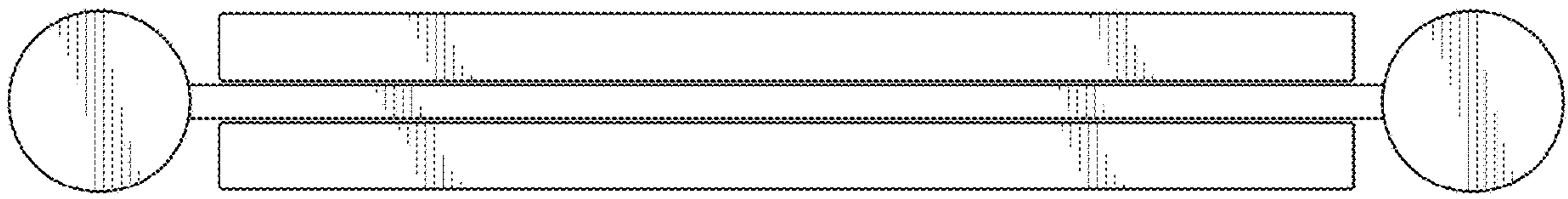


FIG. 7