



US00D888151S

(12) **United States Design Patent**
McGinnis

(10) **Patent No.:** **US D888,151 S**
(45) **Date of Patent:** **** Jun. 23, 2020**

(54) **PIANO KEY OVERLAY TILE**

(71) Applicant: **Melanie Almiron McGinnis**, Arlington, MA (US)

(72) Inventor: **Melanie Almiron McGinnis**, Arlington, MA (US)

(**) Term: **15 Years**

(21) Appl. No.: **29/625,373**

(22) Filed: **Nov. 9, 2017**

(51) **LOC (12) Cl.** **19-07**

(52) **U.S. Cl.**
USPC **D19/59; D17/9**

(58) **Field of Classification Search**
USPC D17/7-9, 99; D20/11, 12, 22, 27, 28, 40, D20/42; D19/59, 60, 100, 62
(Continued)

(56) **References Cited**

U.S. PATENT DOCUMENTS

1,758,254 A * 5/1930 Hazen G09B 15/00
84/471 R
D205,401 S * 8/1966 Schmoyer D19/59
(Continued)

OTHER PUBLICATIONS

Amazon, Piano Stickers, posted Feb. 14, 2016, [online], [visited May 29, 2019]. Internet, URL: https://www.amazon.co.uk/Piano-Stickers-61-LAMINATED-PSBW/dp/B018PSXC1C/ref=sr_1_4?keywords=PIANO+TEACHING+STICKERS&qid=1559138980&s=gateway&sr=8-4 (Year: 2016).*

Primary Examiner — Sheryl Lane
Assistant Examiner — Samantha N Wood

(57) **CLAIM**

The ornamental design for a piano key overlay tile, as shown and described.

DESCRIPTION

FIG. 1 is a front perspective view of a piano key overlay tile according to one embodiment of the designs;

FIG. 2 is a front view thereof;
FIG. 3 is a back view thereof;
FIG. 4 is a right view thereof;
FIG. 5 is a left view thereof;
FIG. 6 is a top view thereof;
FIG. 7 is a bottom view thereof;
FIG. 8 is a front view of a piano key overlay tile according to another embodiment of the designs;
FIG. 9 is a back view thereof;
FIG. 10 is a right view thereof;
FIG. 11 is a left view thereof;
FIG. 12 is a top view thereof;
FIG. 13 is a bottom view thereof;
FIG. 14 is a front view of a piano key overlay tile according to another embodiment of the designs;
FIG. 15 is a back view thereof;
FIG. 16 is a right view thereof;
FIG. 17 is a left view thereof;
FIG. 18 is a top view thereof;
FIG. 19 is a bottom view thereof;
FIG. 20 is a front perspective view of a piano key overlay tile according to one embodiment of the designs;
FIG. 21 is a front view of a piano key overlay tile according to another embodiment of the designs;
FIG. 20 is a front perspective view of a piano key overlay tile according to one embodiment of the designs;
FIG. 21 is a front view thereof;
FIG. 22 is a back view thereof;
FIG. 23 is a left view thereof;
FIG. 24 is a right view thereof;
FIG. 25 is a top view thereof;
FIG. 26 is a bottom view thereof;
FIG. 27 is a front view of a piano key overlay tile according to another embodiment of the designs;
FIG. 28 is a back view thereof;
FIG. 29 is a left view thereof;
FIG. 30 is a right view thereof;
FIG. 31 is a top view thereof;
FIG. 32 is a bottom view thereof;
FIG. 33 is a front view of a piano key overlay tile according to another embodiment of the designs;
FIG. 34 is a back view thereof;
FIG. 35 is a left view thereof;
FIG. 36 is a right view thereof;

(Continued)

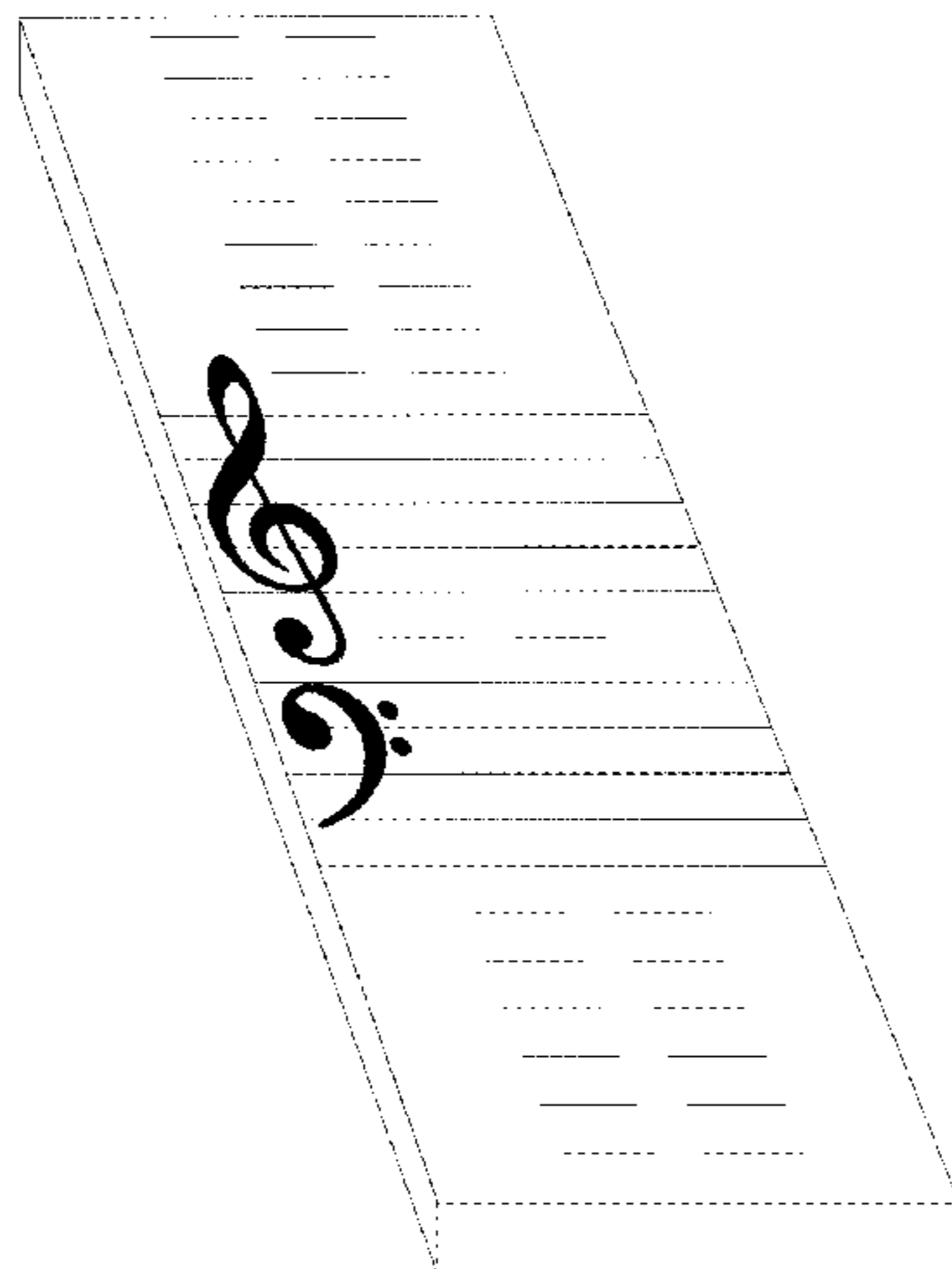


FIG. 37 is a top view thereof; and, FIG. 38 is a bottom view thereof. In FIGS. 8-11 and 33-36, the piano key overlay tile is shown with symbolic breaks in its length. In FIGS. 14, 15, 18, 19, 27, 28, 31, and 32, the piano key overlay tile is shown with symbolic breaks in its width. The appearance of any portion of the piano key overlay tile between the symbolic breaks forms no part of the claimed design.

1 Claim, 6 Drawing Sheets

(58) **Field of Classification Search**
 CPC G10B 15/00; G10B 15/001; G10B 15/002;
 G10B 15/003; G10B 15/004; G10B
 15/005; G10B 15/006; G10B 15/007;
 G10B 15/008; G10G 3/00; G10G 3/02;
 A63F 1/00; A63F 1/02
 See application file for complete search history.

(56)

References Cited

U.S. PATENT DOCUMENTS

D242,877	S	*	12/1976	Bologna	D17/9
D247,119	S	*	1/1978	Nilsson	D19/59
4,203,345	A	*	5/1980	Collin	G09B 15/003 84/478
D432,174	S	*	10/2000	Stevens	D20/22
D636,815	S	*	4/2011	Prather	D19/59
D819,741	S	*	6/2018	Clegg	D20/22
D841,090	S	*	2/2019	Cloyd	D19/62
2005/0076771	A1	*	4/2005	Carlson	G09B 15/001 84/613
2008/0127810	A1	*	6/2008	Egan	G09B 15/00 84/483.2
2009/0007760	A1	*	1/2009	Herrick	G09B 15/00 84/478
2010/0212477	A1	*	8/2010	DeLong	G09B 15/00 84/479 A

* cited by examiner

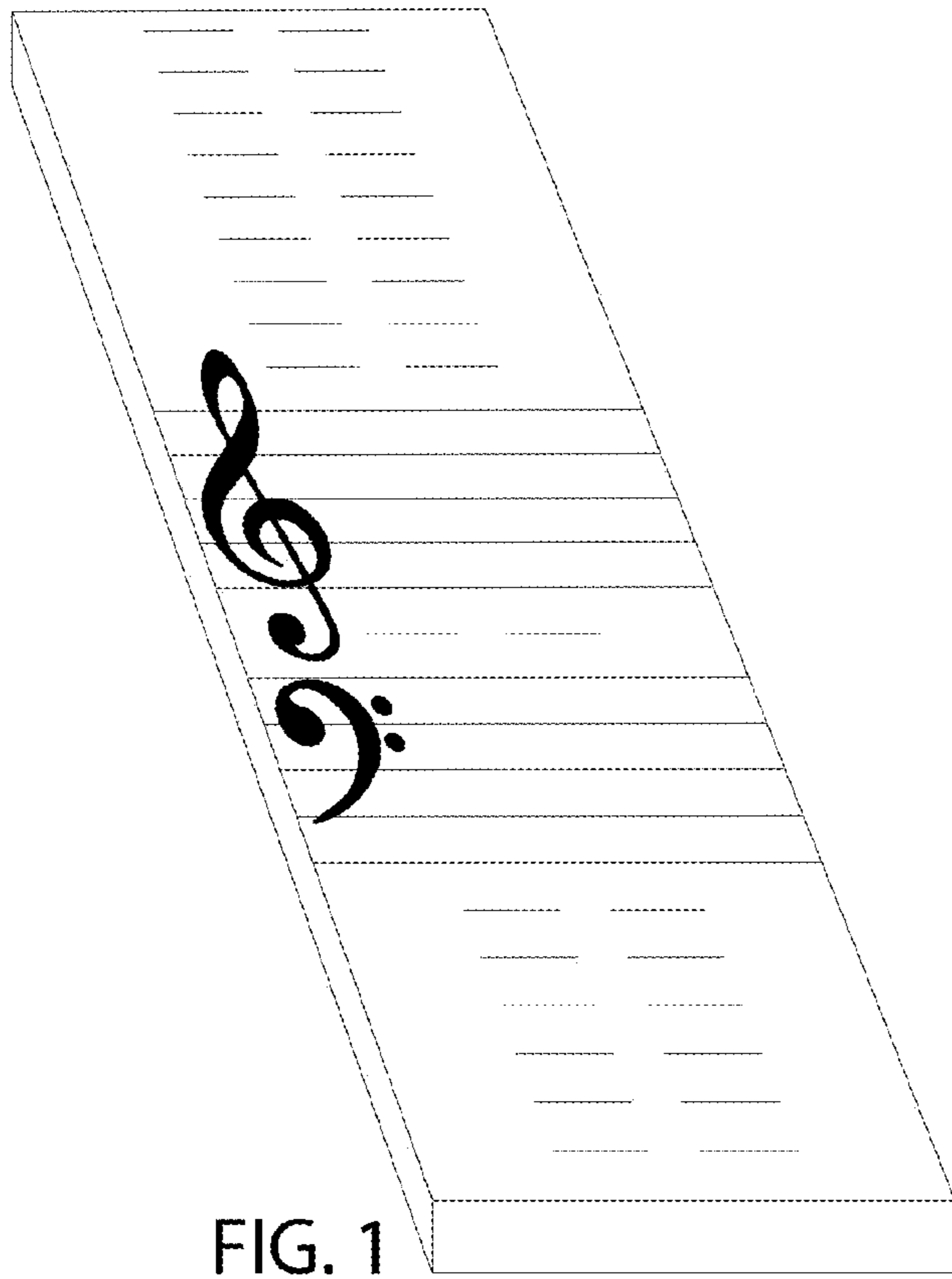


FIG. 1



FIG. 2

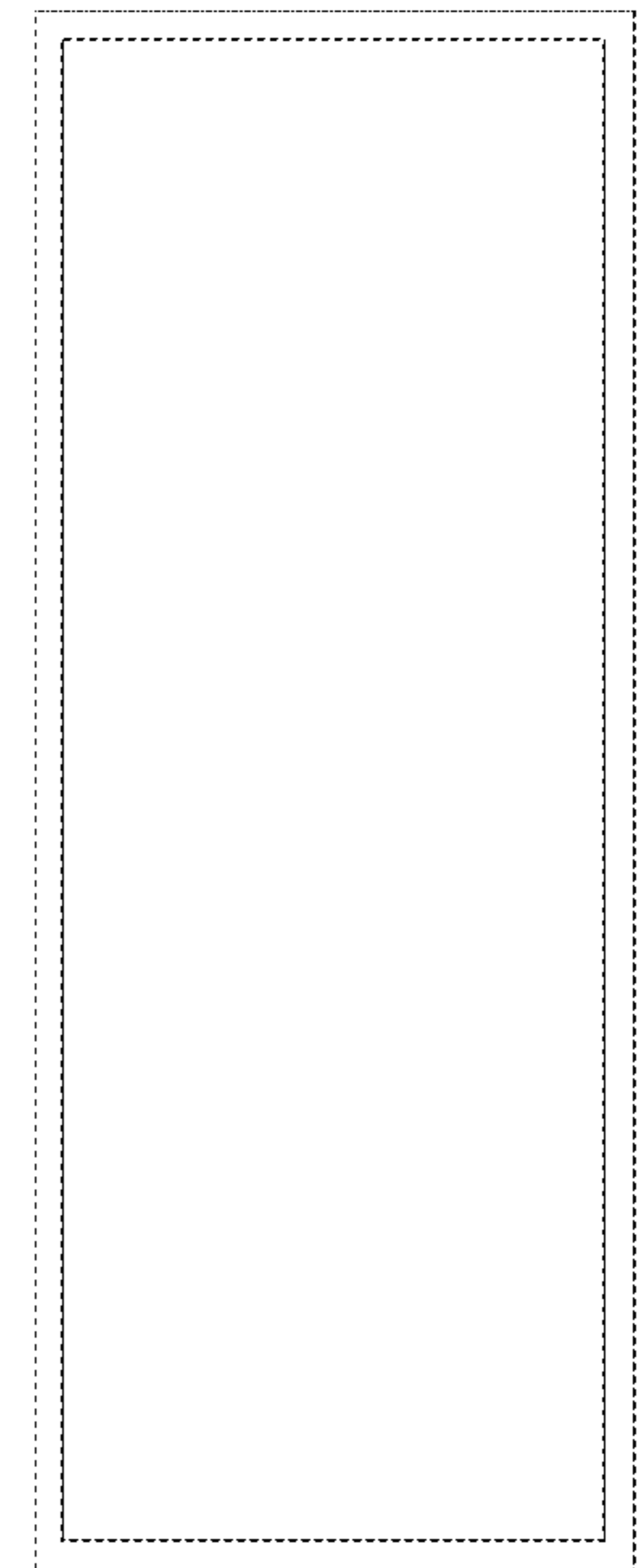


FIG. 3

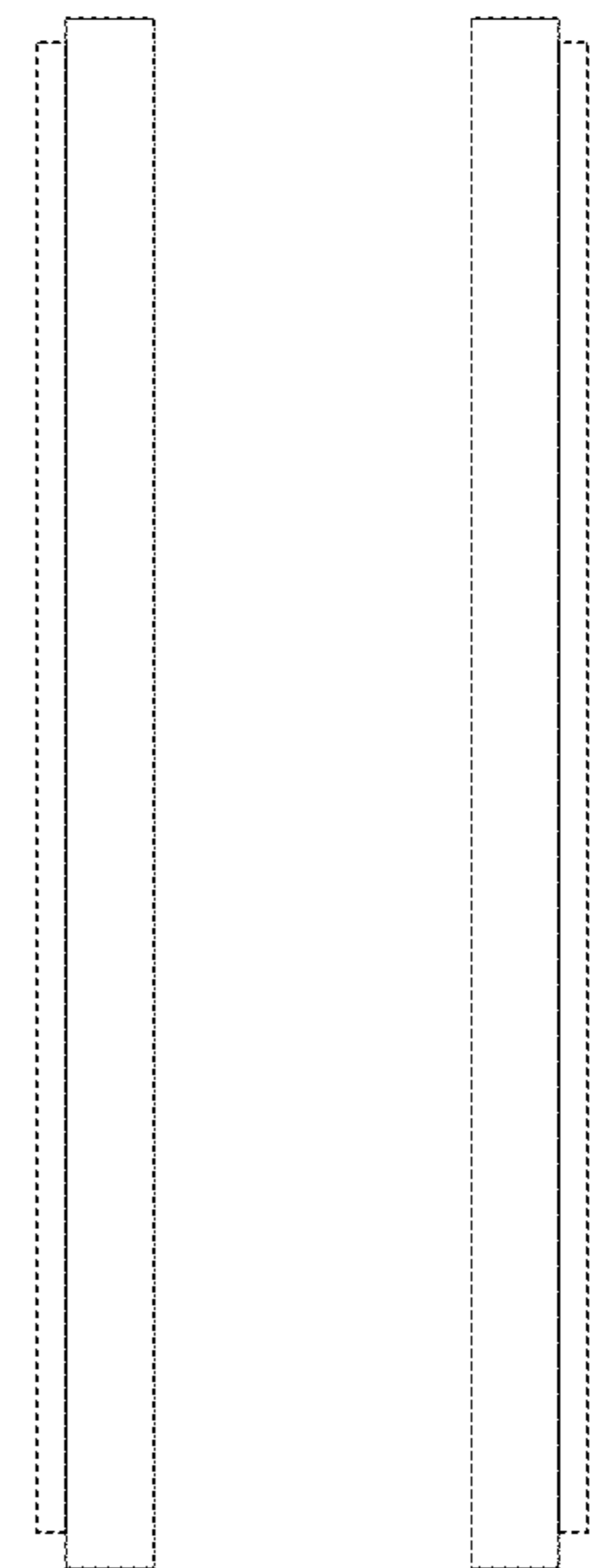


FIG. 4

FIG. 5

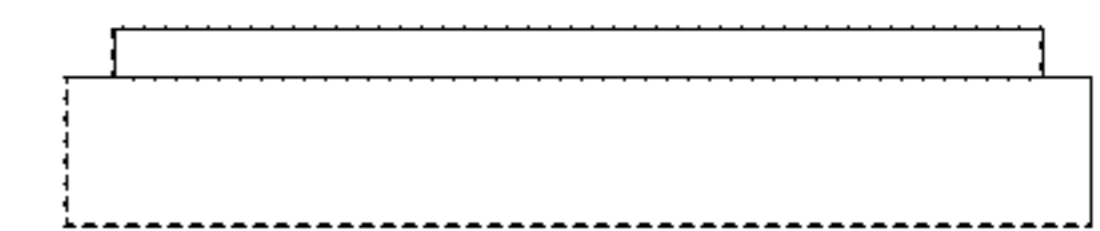


FIG. 6



FIG. 7

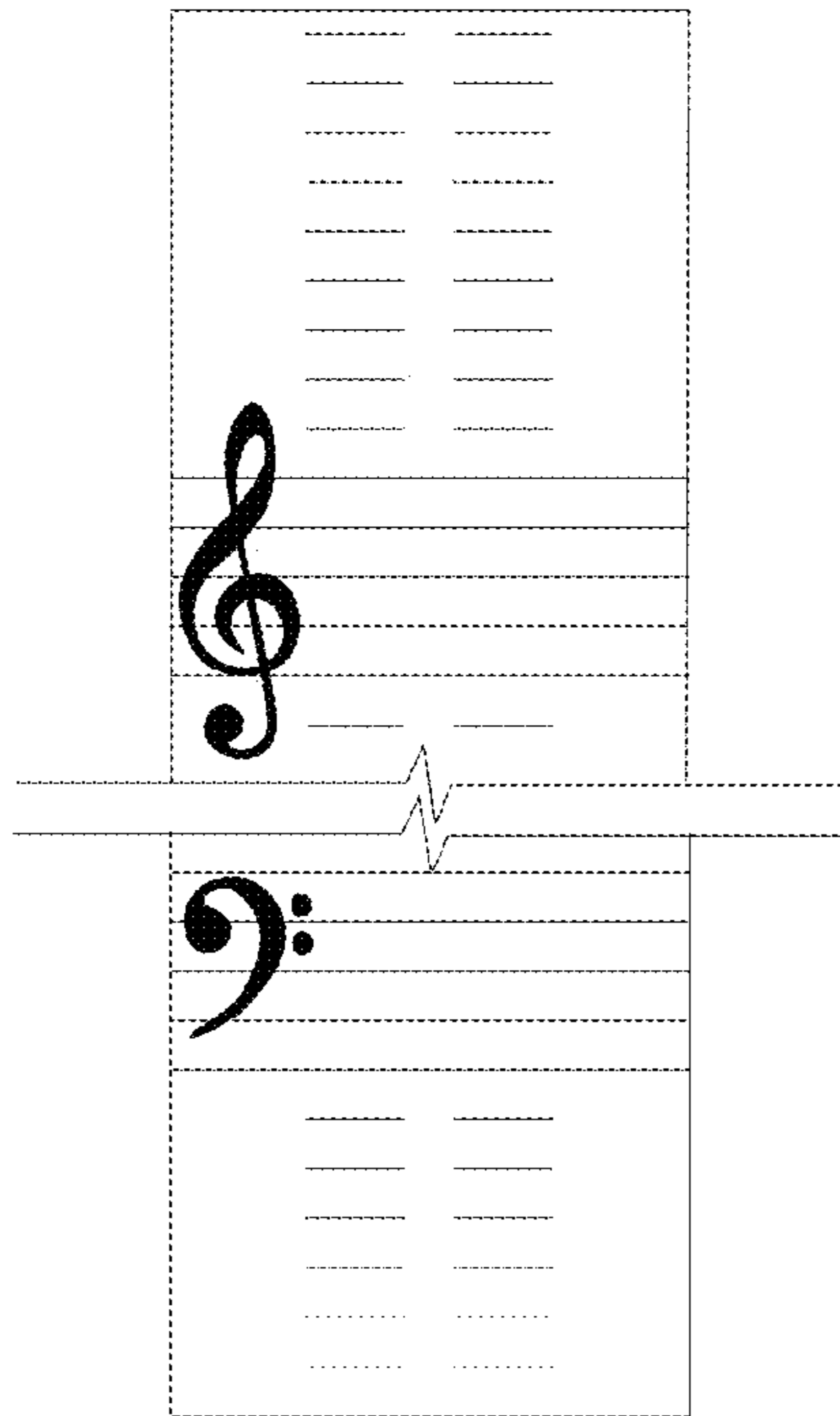


FIG. 8

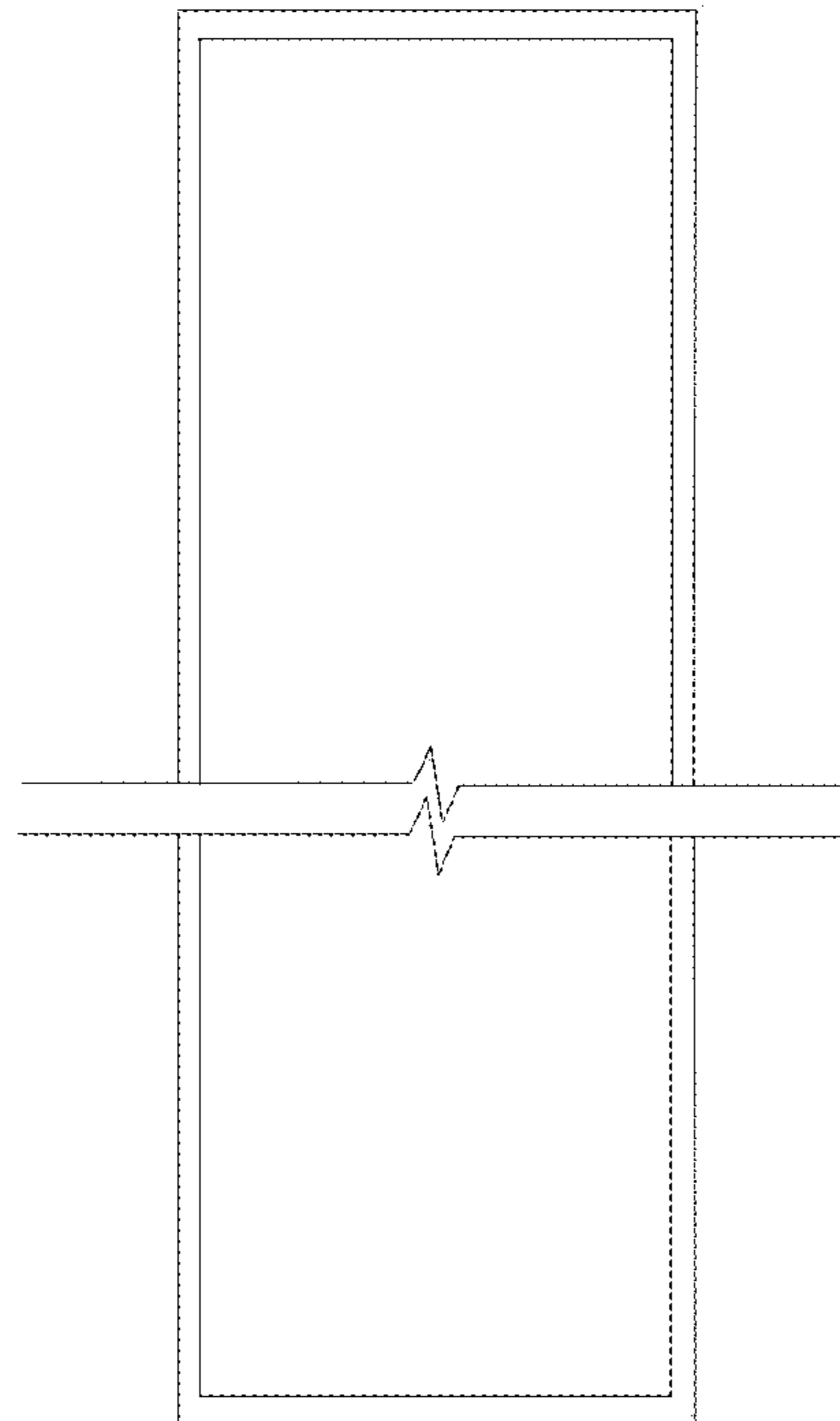


FIG. 9

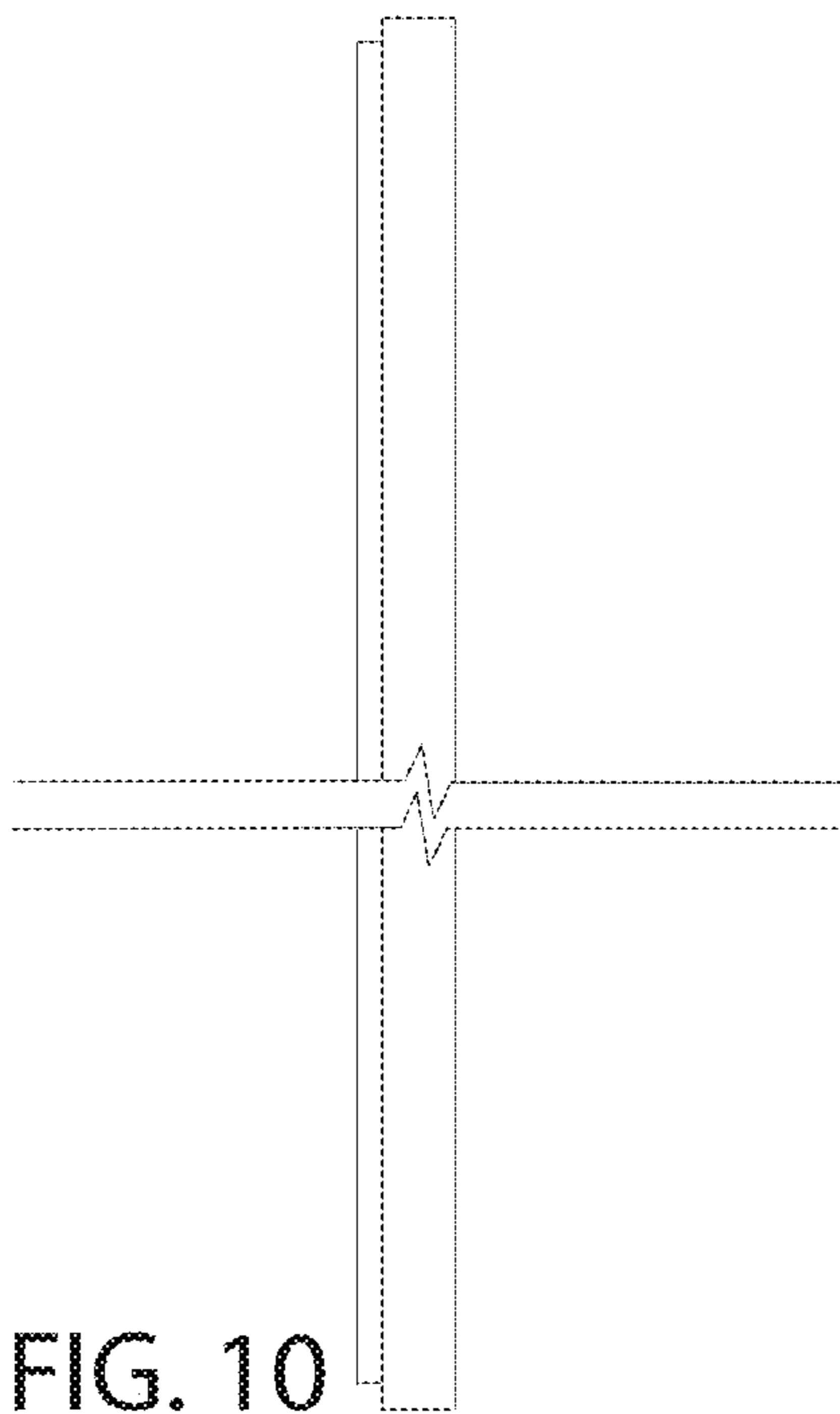


FIG. 10

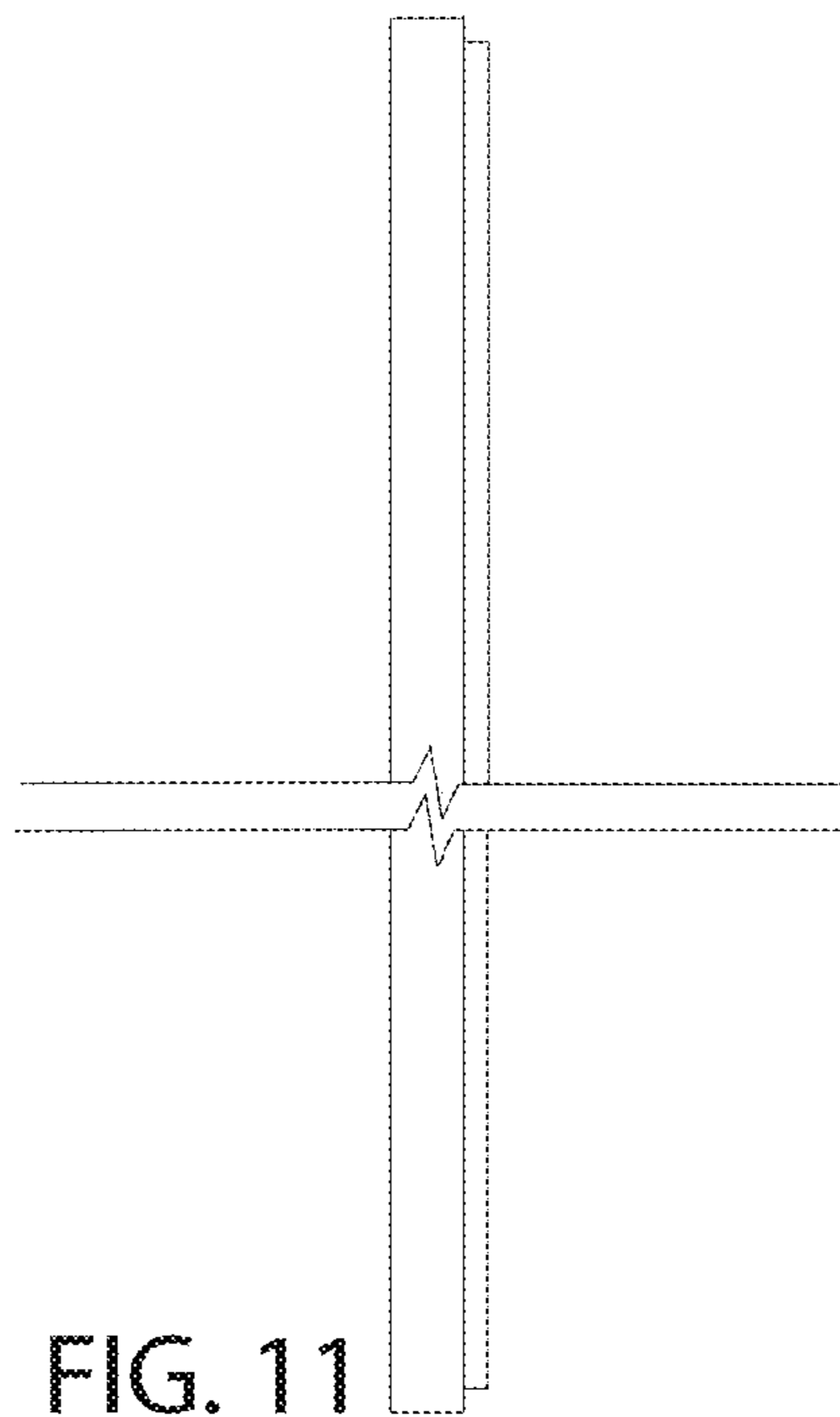


FIG. 11

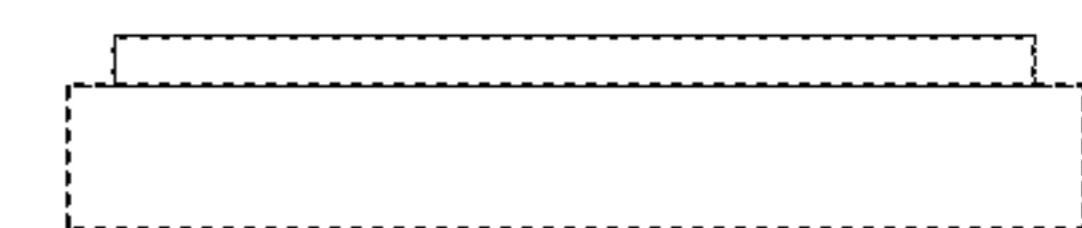


FIG. 12

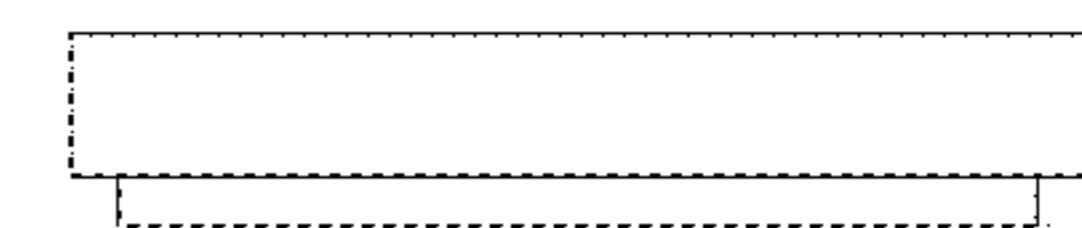


FIG. 13

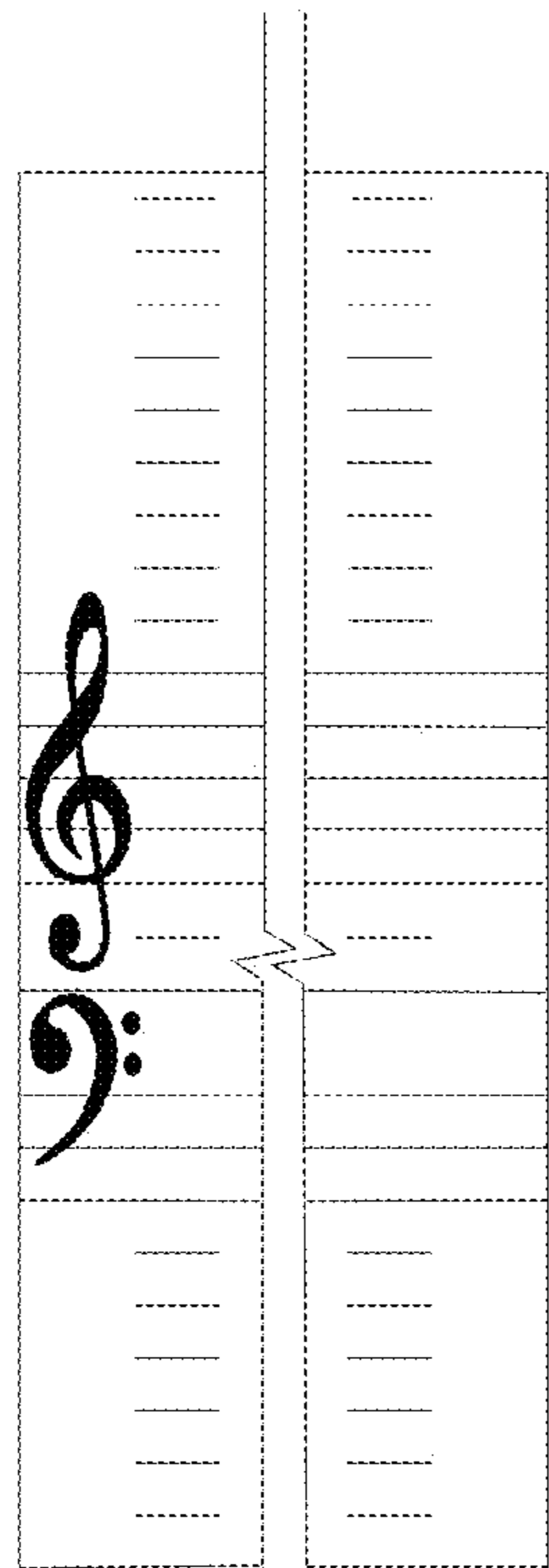


FIG. 14

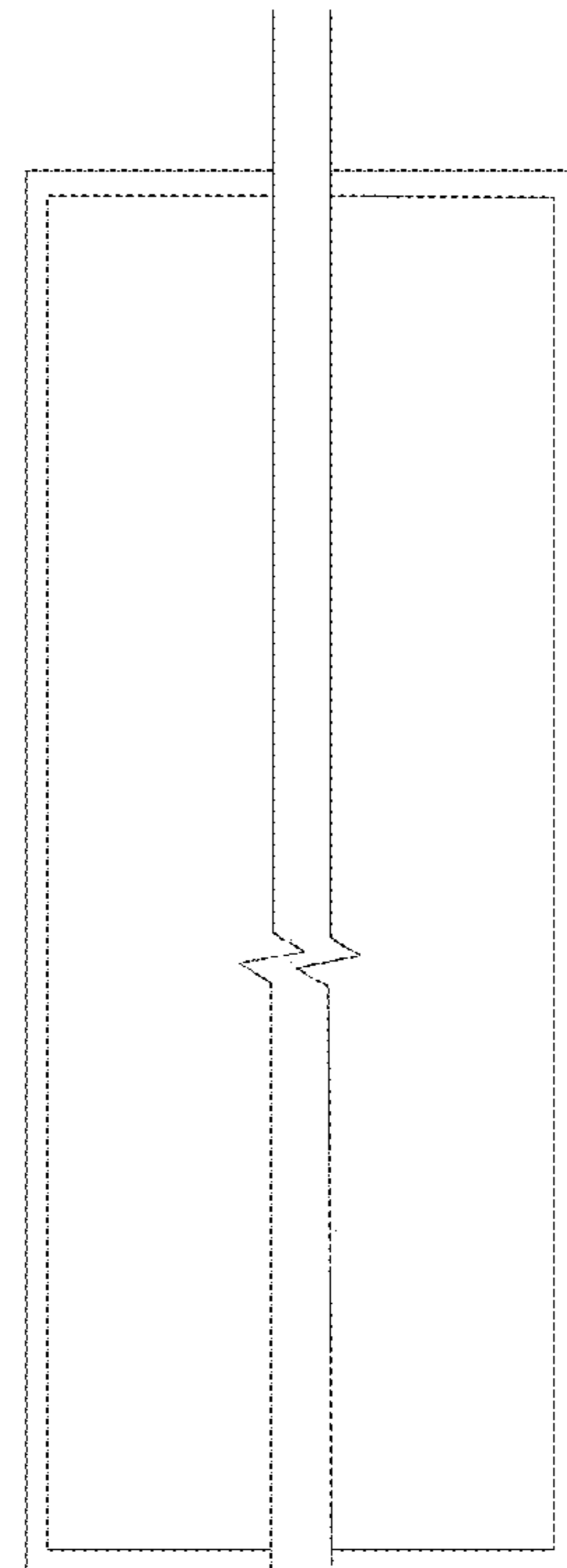


FIG. 15

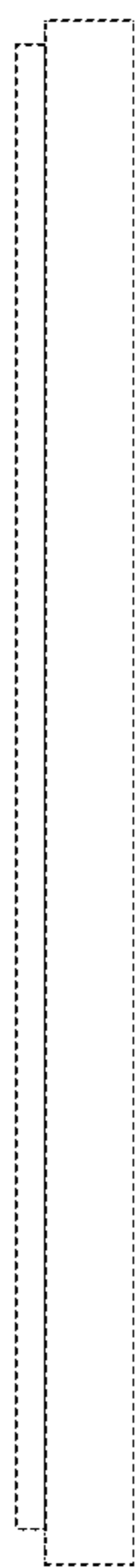


FIG. 16

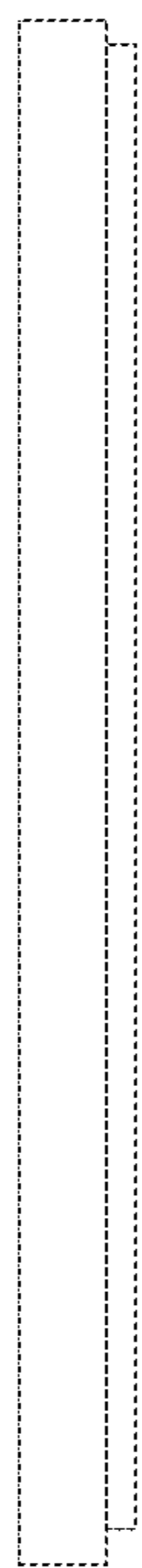


FIG. 17

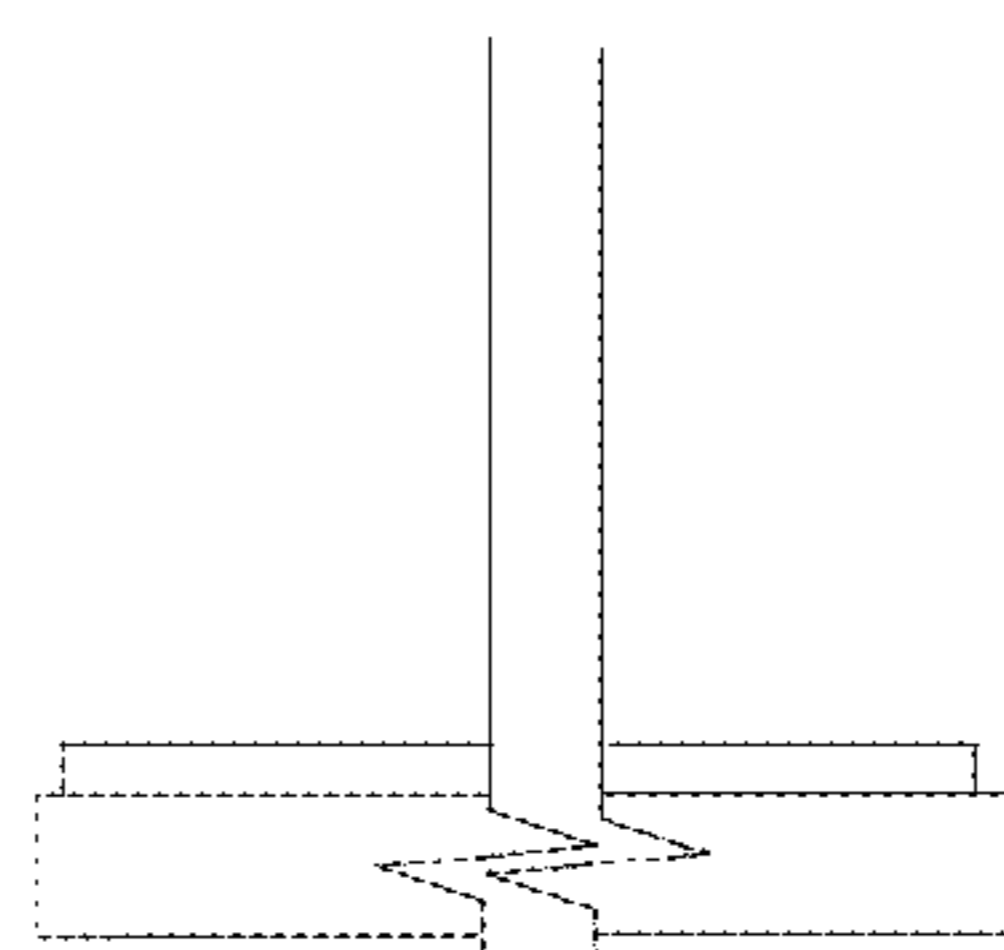


FIG. 18

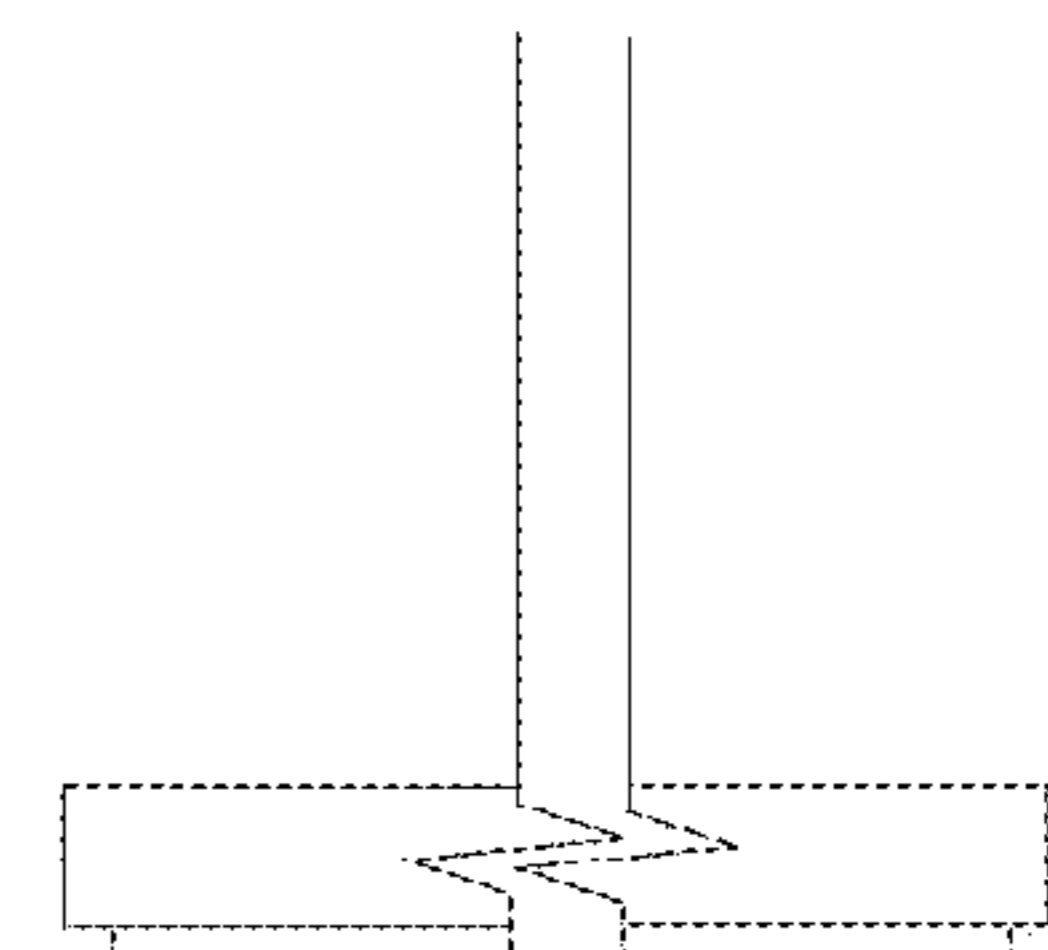


FIG. 19

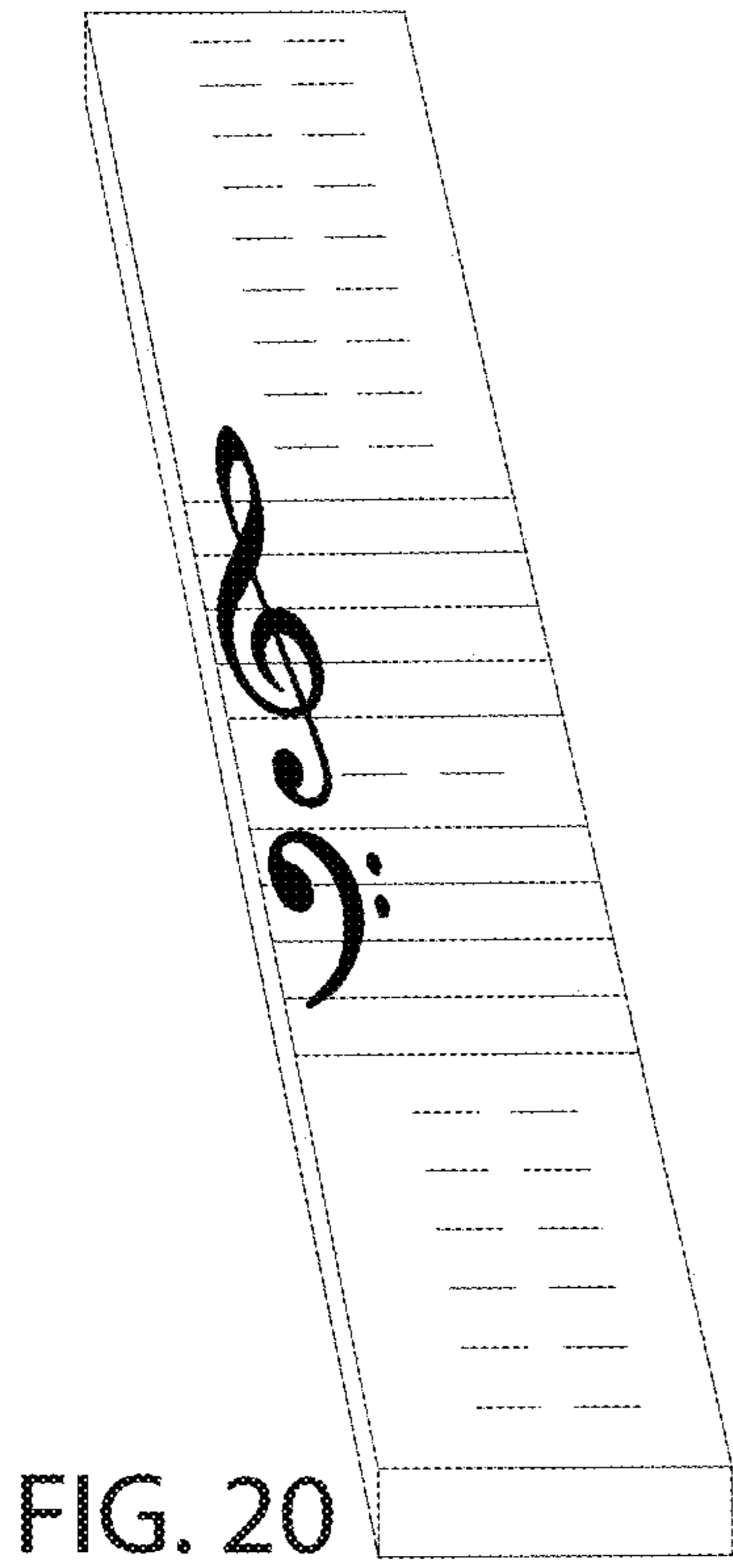


FIG. 20

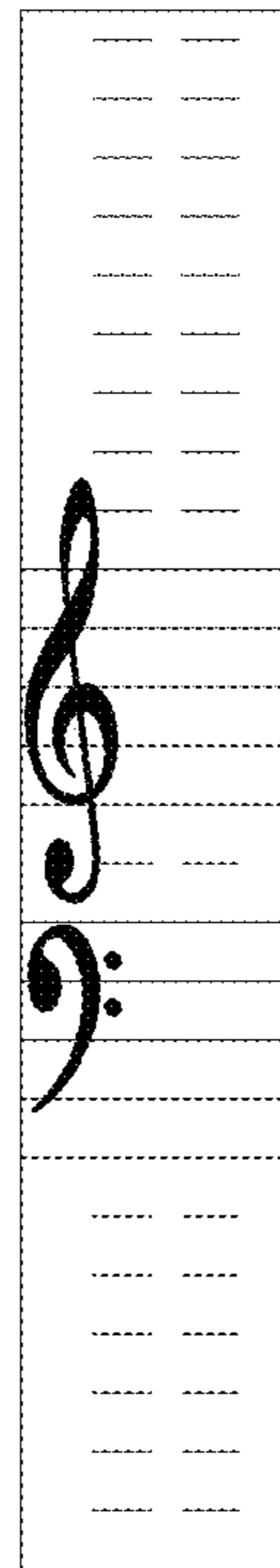


FIG. 21

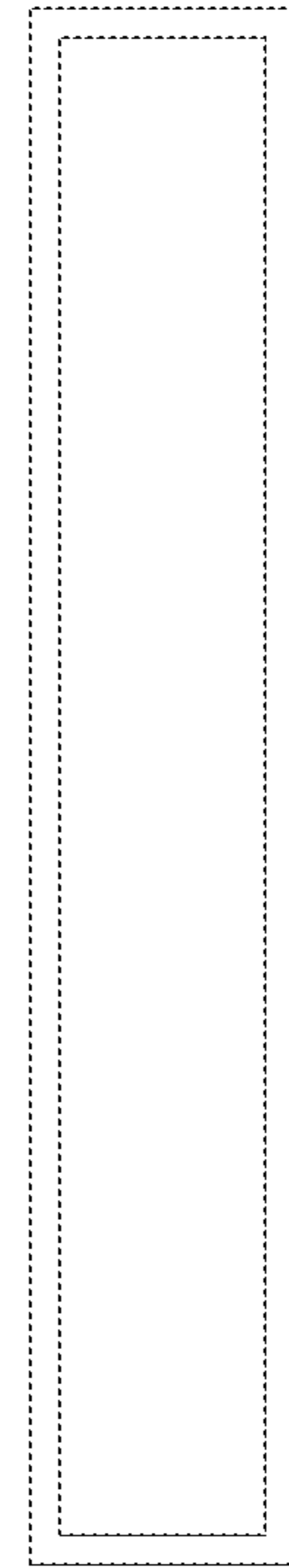


FIG. 22

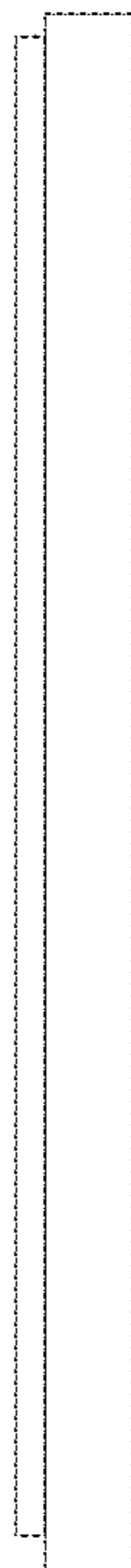


FIG. 23

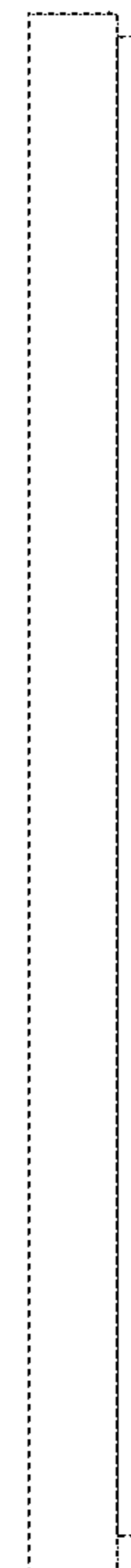


FIG. 24

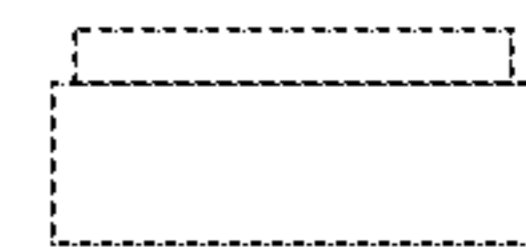


FIG. 25

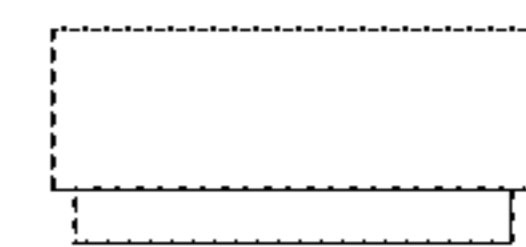


FIG. 26

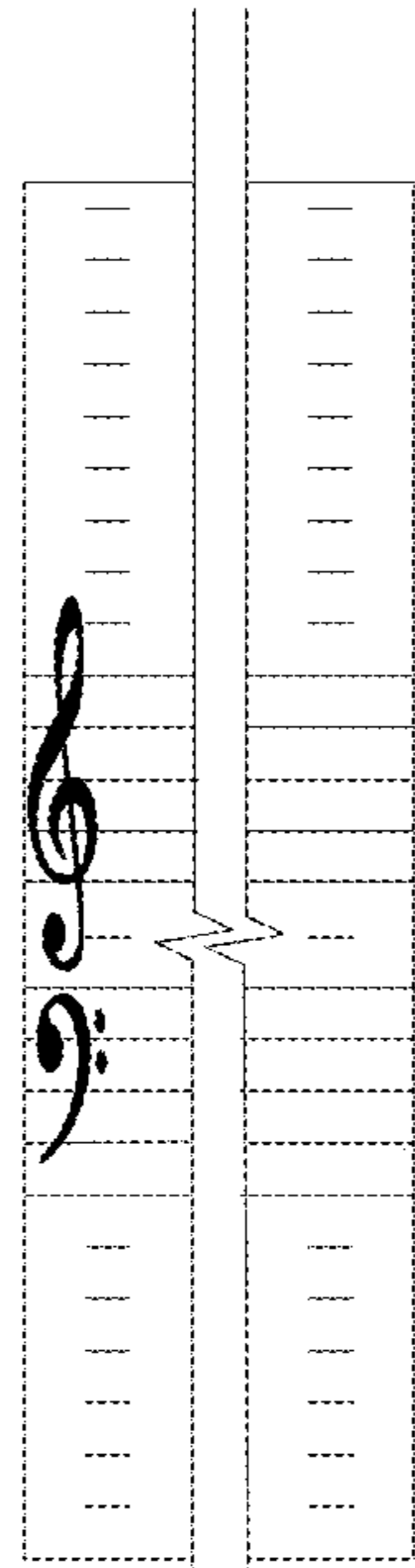


FIG. 27

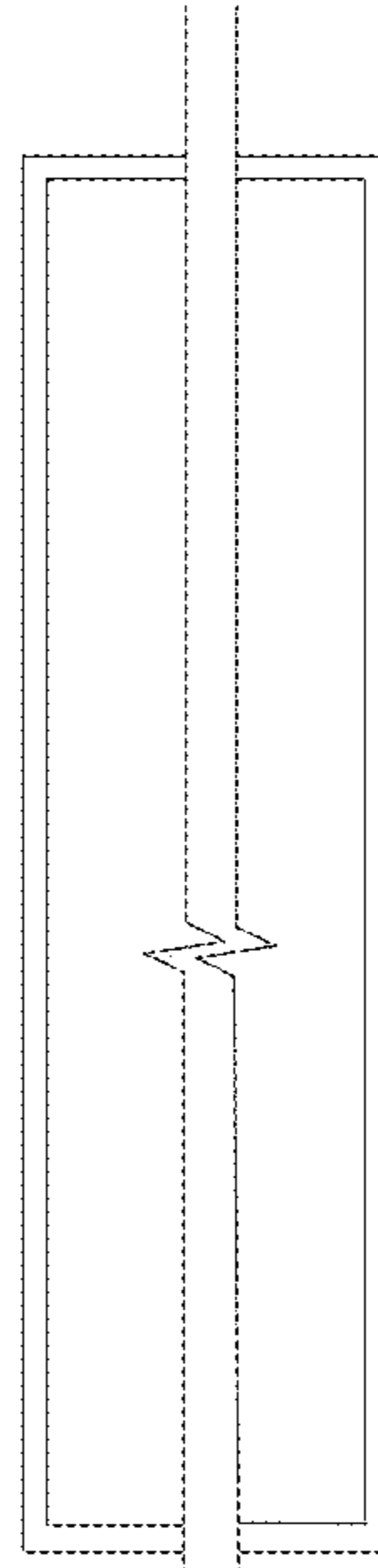


FIG. 28

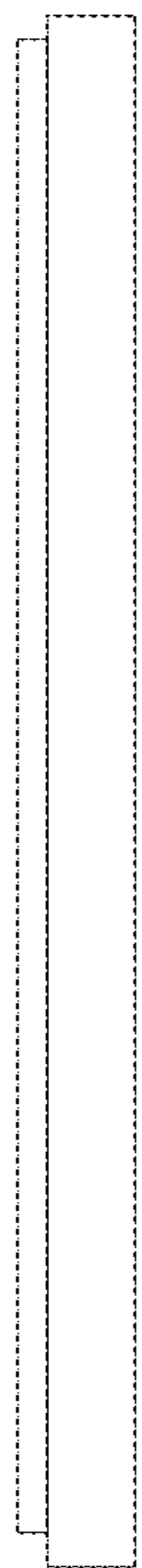


FIG. 29

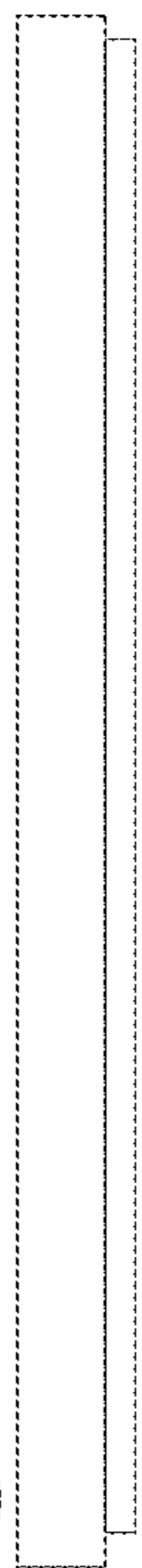


FIG. 30

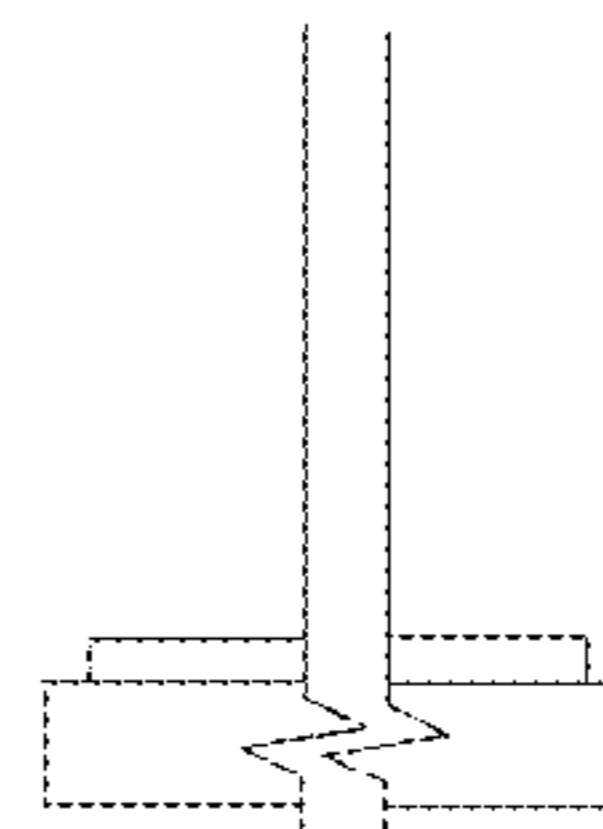


FIG. 31

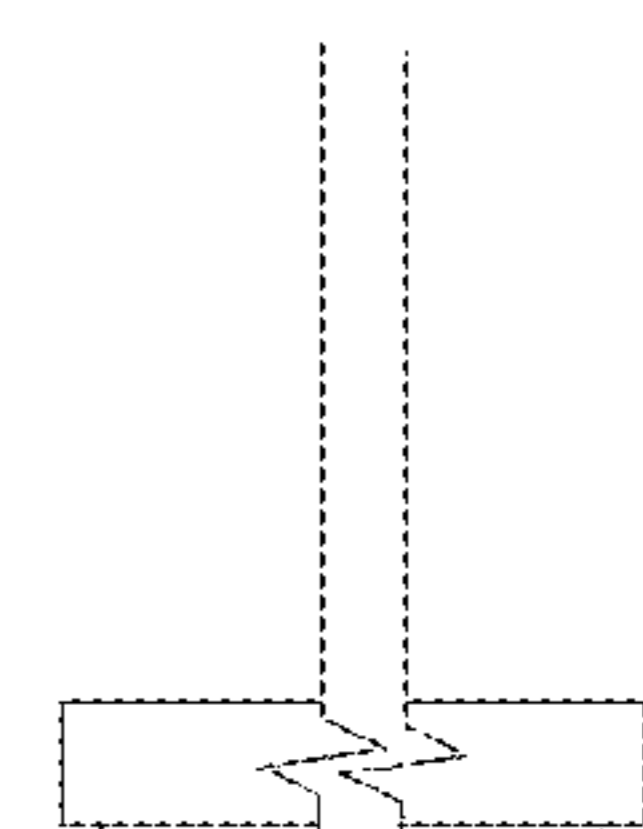


FIG. 32

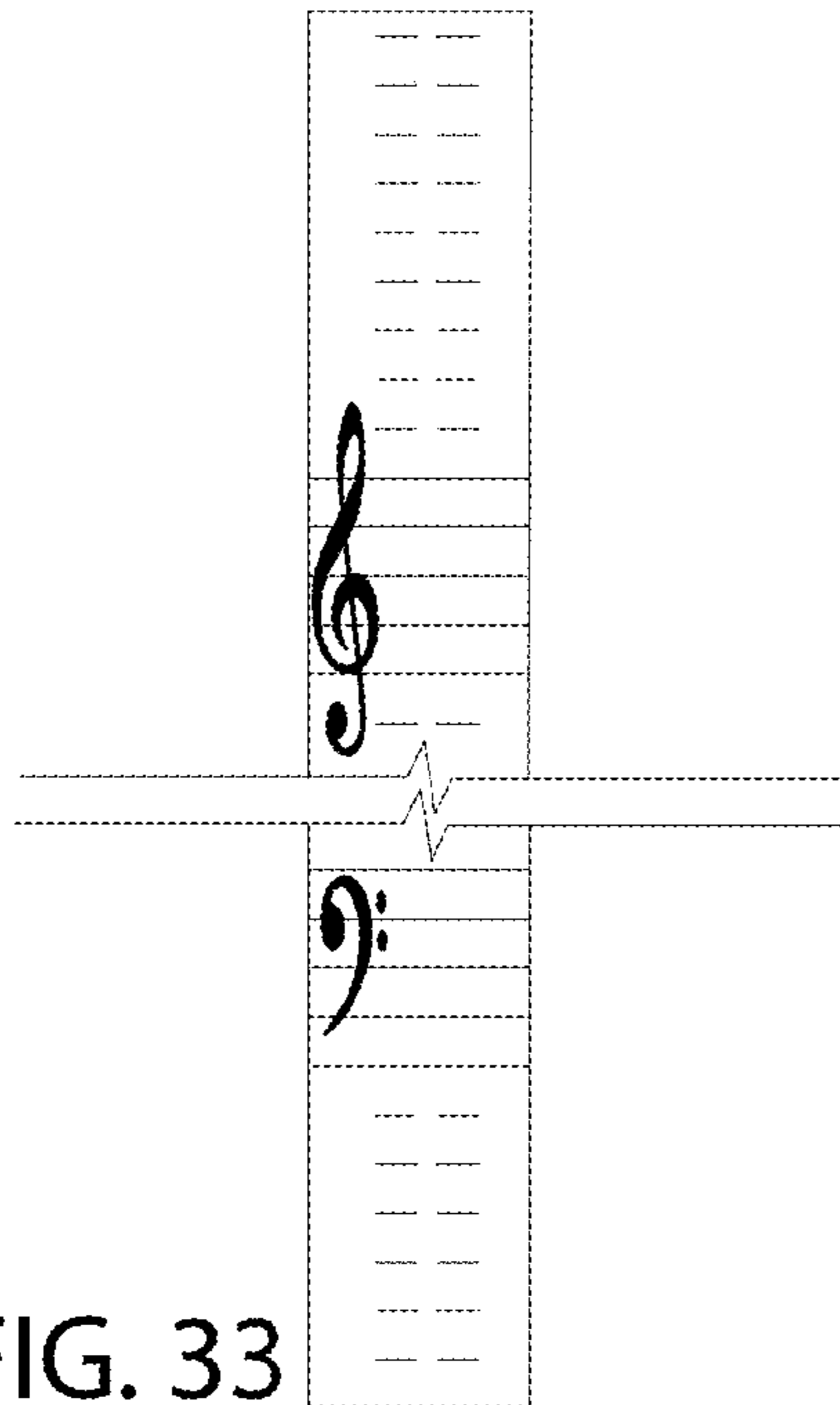


FIG. 33

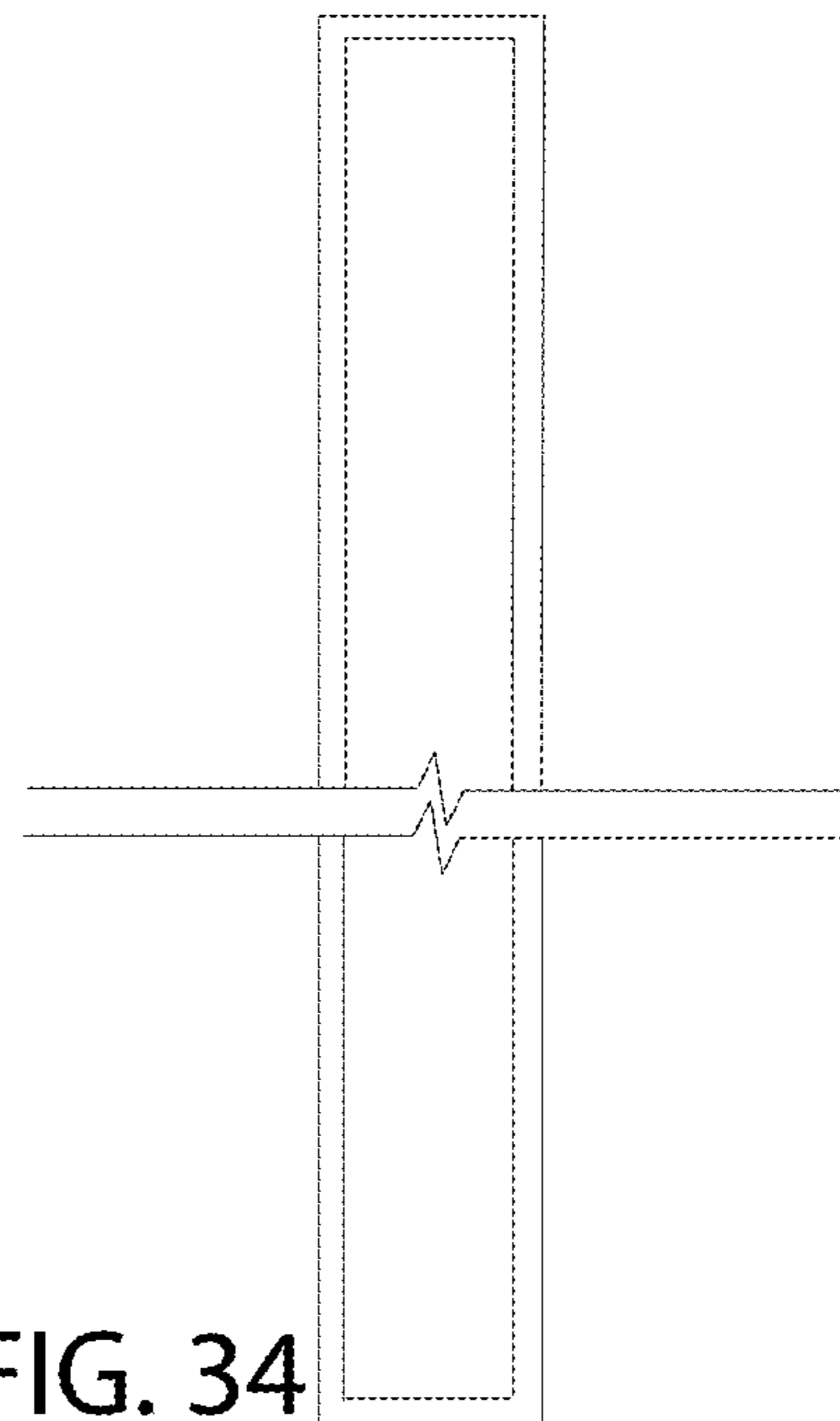


FIG. 34

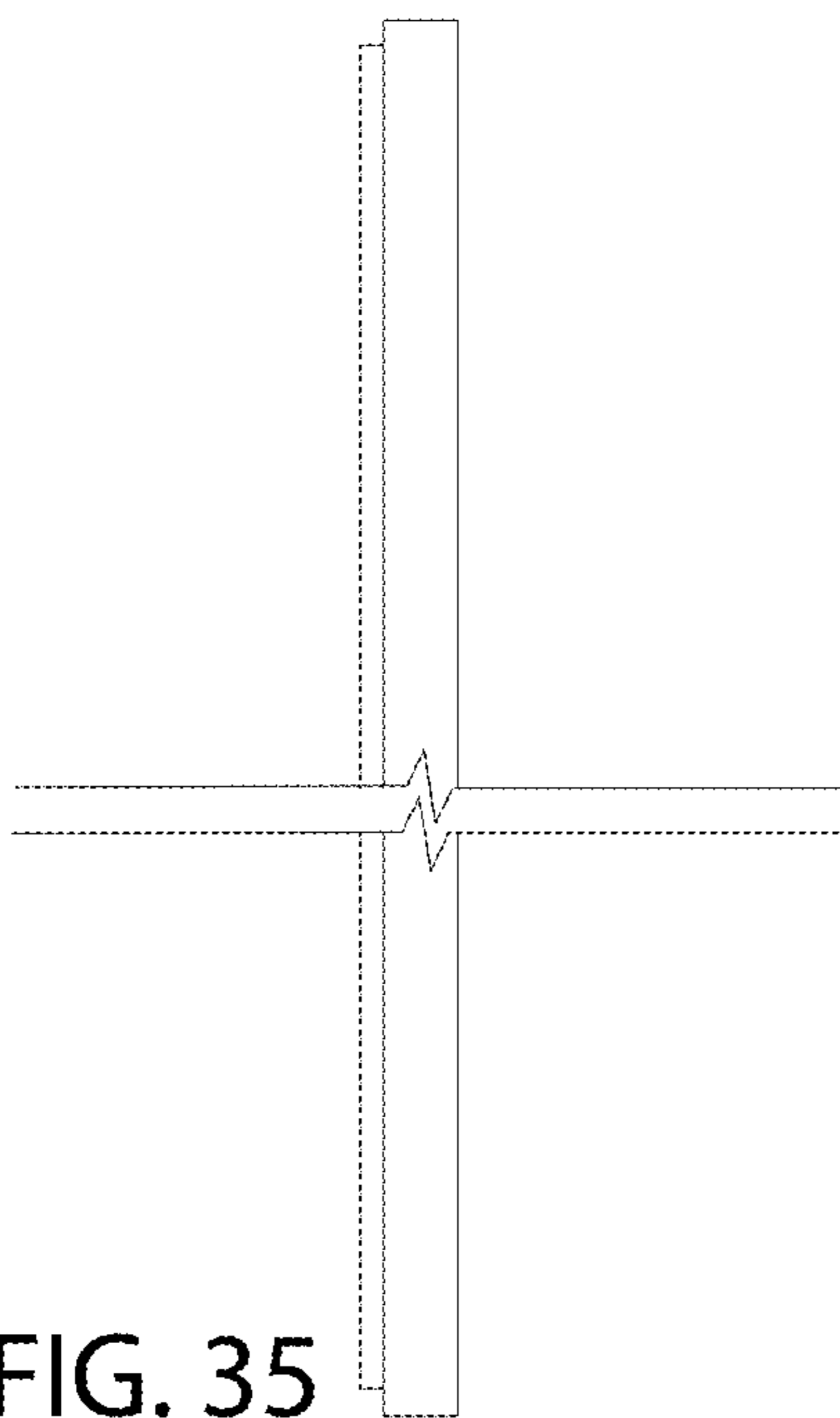


FIG. 35

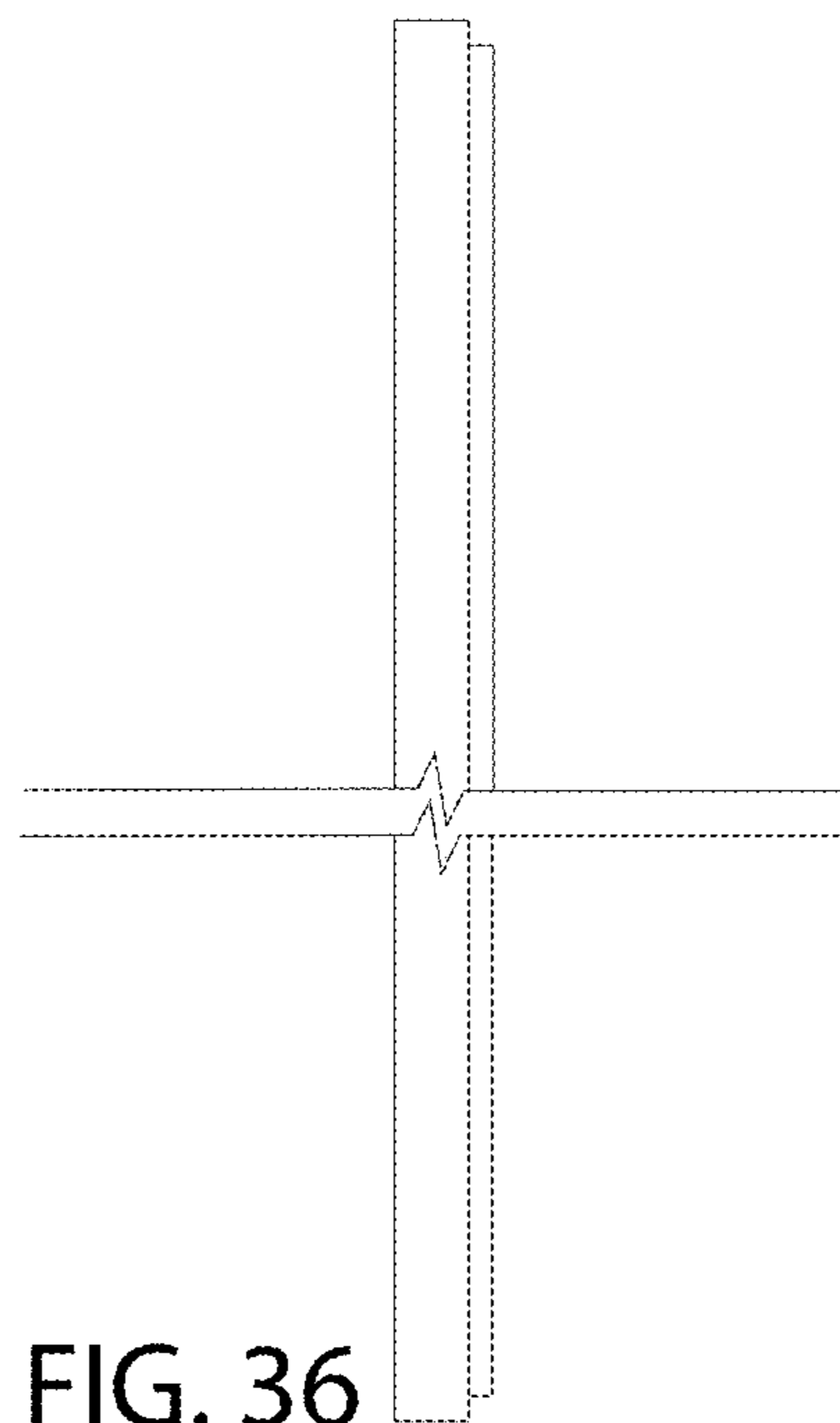


FIG. 36



FIG. 37



FIG. 38