



US00D888150S

(12) **United States Design Patent** (10) **Patent No.:** **US D888,150 S**  
**Lutnesky et al.** (45) **Date of Patent:** **\*\* Jun. 23, 2020**

(54) **PRINTER CASSETTE**

(56) **References Cited**

(71) Applicant: **HEWLETT-PACKARD DEVELOPMENT COMPANY, L.P.**,  
Spring, TX (US)

U.S. PATENT DOCUMENTS

(72) Inventors: **Gary G. Lutnesky**, Corvallis, OR  
(US); **Dennis R. Esterberg**, Corvallis,  
OR (US); **Debora J. Thomas**,  
Corvallis, OR (US)

D414,958 S \* 10/1999 Napolitane ..... D6/407  
D456,082 S \* 4/2002 Bouse ..... D24/223  
6,390,593 B1 5/2002 Deroos  
6,550,890 B2 4/2003 Saijo  
D486,917 S \* 2/2004 Porter ..... D24/223  
D495,805 S \* 9/2004 Lea ..... D24/216  
7,021,741 B2 4/2006 Aldrich  
7,195,334 B2 3/2007 Nakamura

(Continued)

(73) Assignee: **Hewlett-Packard Development Company, L.P.**, Spring, TX (US)

*Primary Examiner* — Cathron C Brooks  
*Assistant Examiner* — Andrew T Nemeth

(\*\*) Term: **15 Years**

(74) *Attorney, Agent, or Firm* — Fabian VanCott

(21) Appl. No.: **29/719,773**

(57) **CLAIM**

The ornamental design for a printer cassette, as shown and described.

(22) Filed: **Jan. 7, 2020**

**DESCRIPTION**

**Related U.S. Application Data**

(62) Division of application No. 29/641,546, filed on Mar. 22, 2018, now Pat. No. Des. 876,537.

(51) **LOC (12) Cl.** ..... **18-02**

(52) **U.S. Cl.**  
USPC ..... **D18/56**

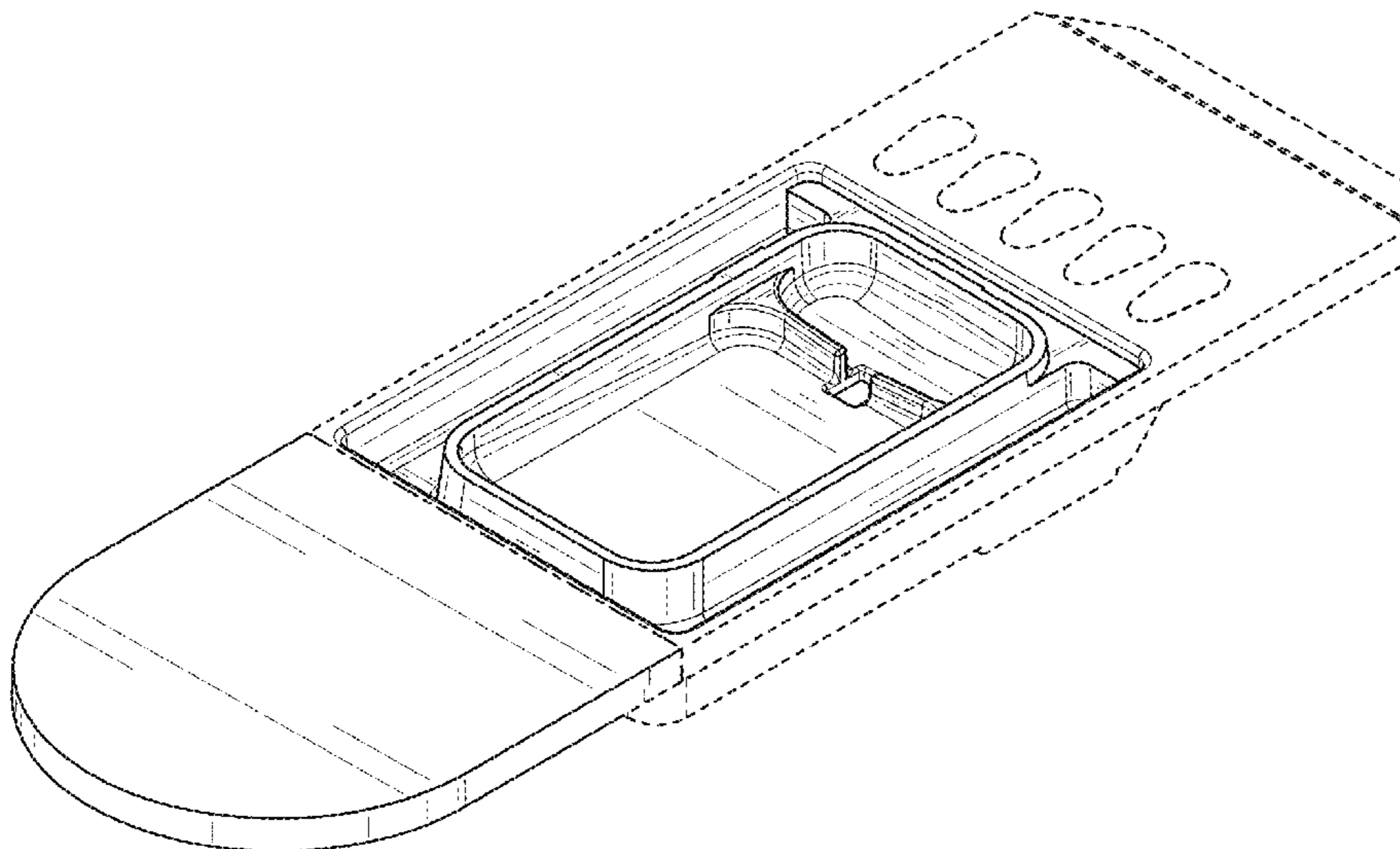
(58) **Field of Classification Search**  
USPC ..... D14/299, 301–303, 307, 332, 386,  
D14/420–425, 432, 439, 441, 443, 447,  
D14/462–471, 474, 480.5, 483–484;  
D18/12, 14, 18–19, 36–41, 43–54, 54.1,  
D18/55–59, 99; D24/216, 225, 229  
CPC .. G06K 15/12; G06K 15/14; B41J 3/00; B41J  
3/28; B41J 11/00; B41J 11/58; B41J  
15/12; B41J 15/042; G03G 15/00; G03G  
15/0142; H04N 1/00129; H04N 1/00135;  
H04N 1/00204; H04N 1/00278

See application file for complete search history.

FIG. 1 is a top, front, left-side perspective view of a printer cassette in accordance with our new design;  
FIG. 2 is a front elevation view of the printer cassette shown in FIG. 1;  
FIG. 3 is a rear elevation view of the printer cassette shown in FIG. 1;  
FIG. 4 is a right-side elevation view of the printer cassette shown in FIG. 1;  
FIG. 5 is a left-side elevation view of the printer cassette shown in FIG. 1;  
FIG. 6 is a top plan view of the printer cassette shown in FIG. 1; and,  
FIG. 7 is a bottom plan view of the printer cassette shown in FIG. 1.

The dash-dash broken lines immediately adjacent the shaded area and the dash-dot-dash broken lines on the tab represent the bounds of the claimed design while all other dash-dash broken lines illustrate portions of the article that form no part of the claimed design. The dash-dash broken lines and the dash-dot-dash broken lines form no part of the claimed design.

**1 Claim, 6 Drawing Sheets**



(56)

References Cited

U.S. PATENT DOCUMENTS

7,311,375	B2	12/2007	Suzuki	
D639,976	S *	6/2011	Francis .....	D24/225
D639,977	S *	6/2011	Francis .....	D24/225
D640,389	S *	6/2011	Francis .....	D24/225
D702,364	S *	4/2014	Iqbal .....	D24/225
D726,252	S	4/2015	Mizutani	
9,061,512	B2	6/2015	Nozawa	
D734,482	S *	7/2015	Peterman .....	D24/216
D769,966	S	10/2016	Mizutani	
D829,815	S	10/2018	Lutnesky	
D858,792	S *	9/2019	Lutnesky .....	D24/225
D876,537	S *	2/2020	Lutnesky .....	D18/56
2002/0157252	A1 *	10/2002	Silverbrook .....	B41J 2/14427 29/890.1
2014/0193309	A1 *	7/2014	Still .....	B01L 3/0268 422/500
2015/0336100	A1	11/2015	Esterberg	
2018/0284147	A1	10/2018	Lutnesky	
2019/0321826	A1 *	10/2019	Lutnesky .....	B01L 3/0268
2020/0061602	A1 *	2/2020	Lutnesky .....	B01L 3/0241
2020/0086316	A1 *	3/2020	Lutnesky .....	B01L 3/502715

\* cited by examiner

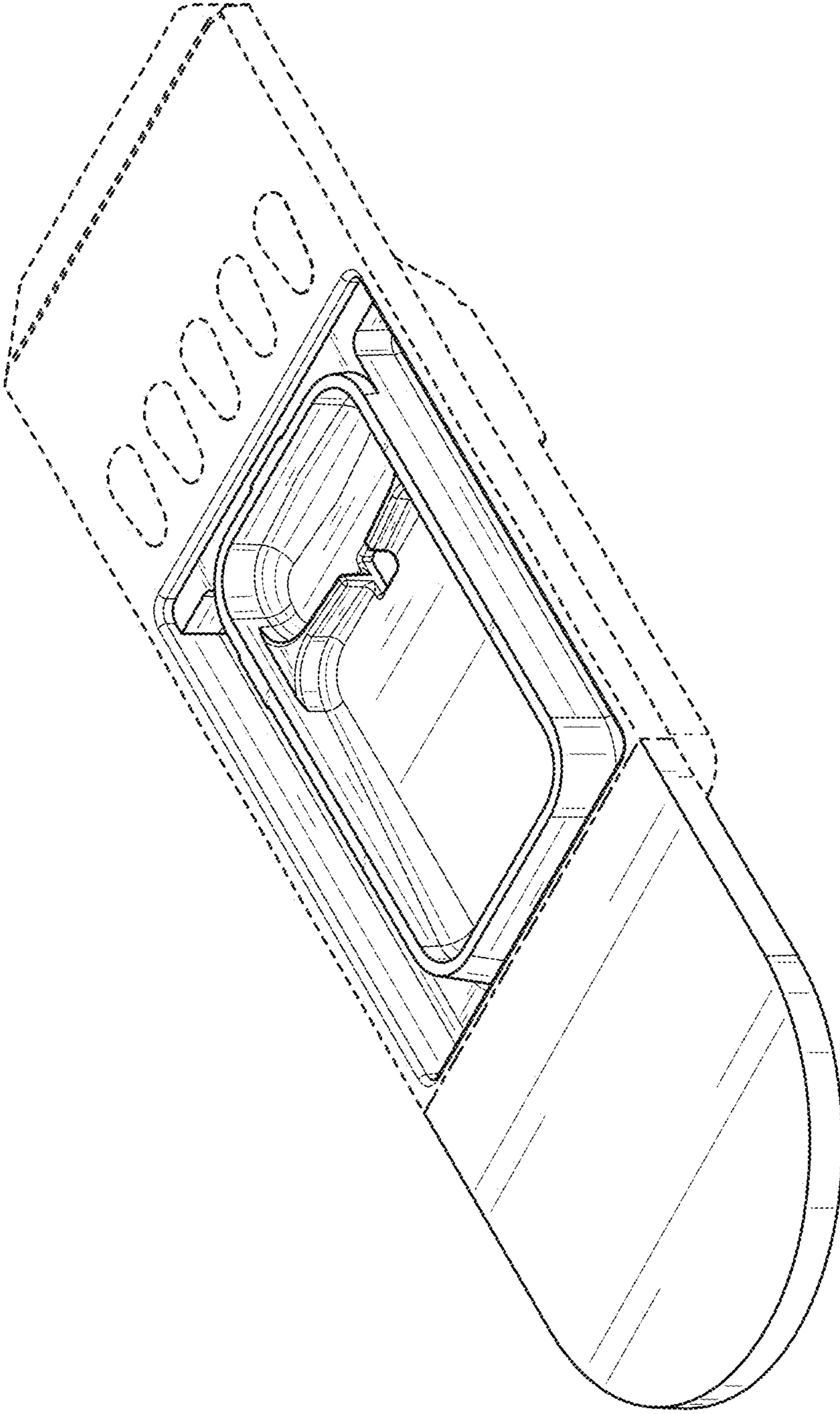


FIG. 1

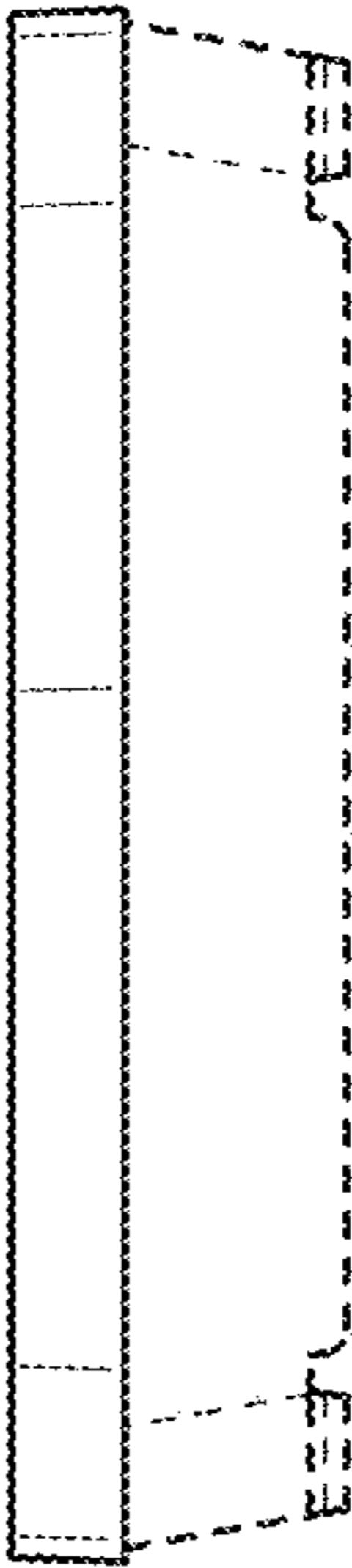


FIG. 2

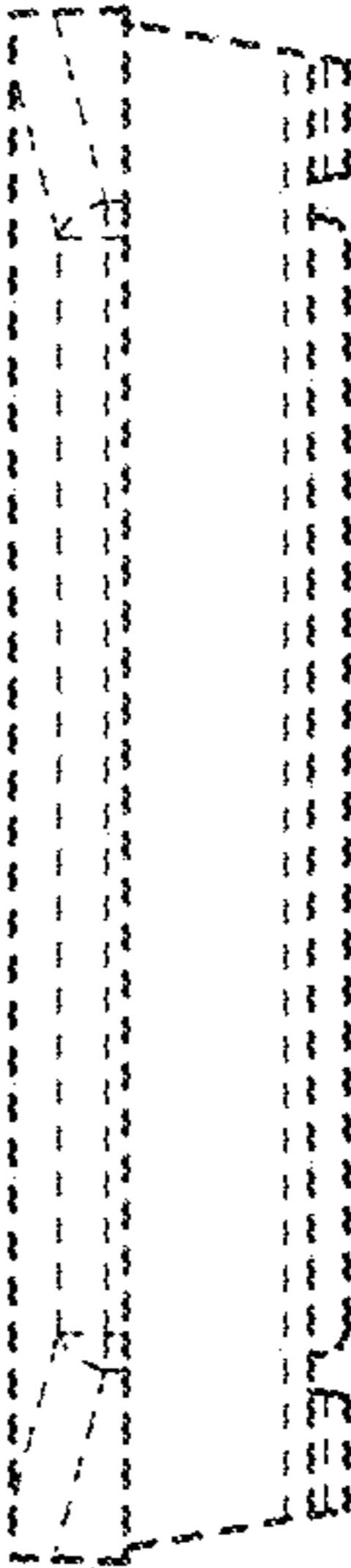


FIG. 3

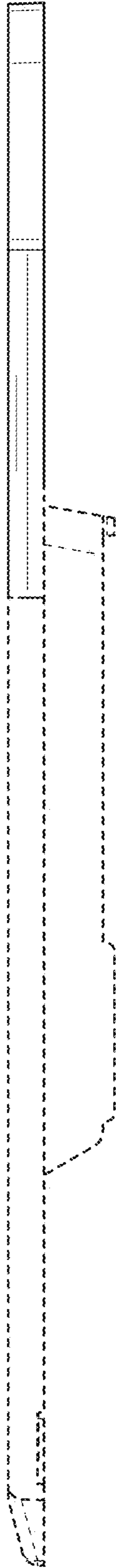


FIG. 4

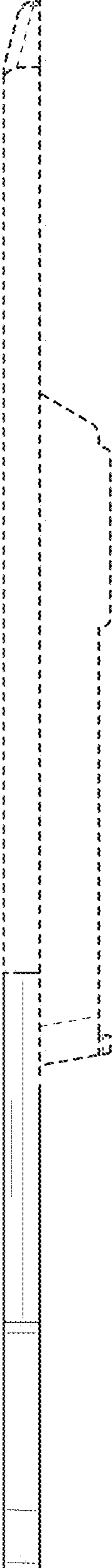


FIG. 5



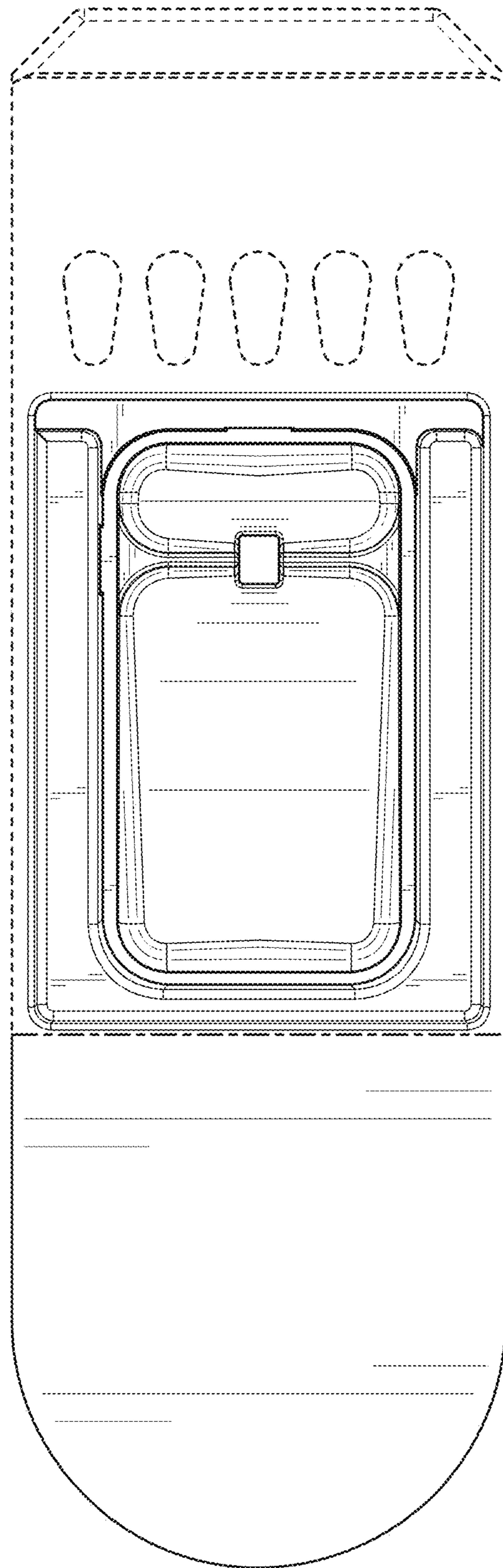


FIG. 6

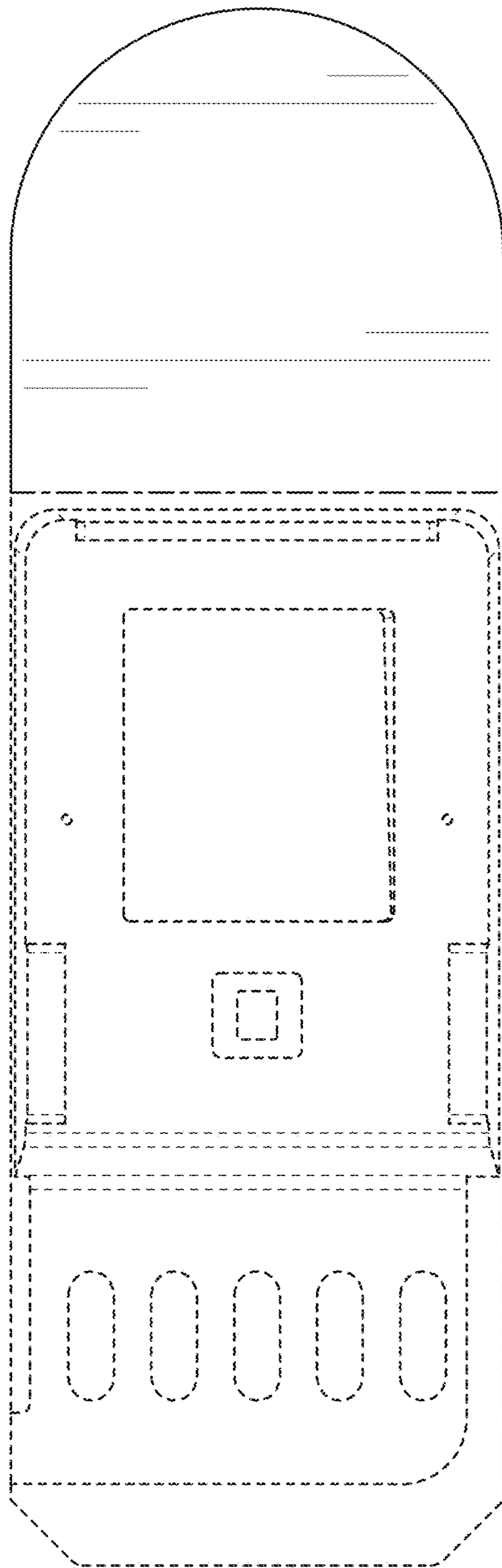


FIG. 7