



US00D888145S

(12) **United States Design Patent**
Borisoff et al.

(10) **Patent No.:** **US D888,145 S**
(45) **Date of Patent:** **** Jun. 23, 2020**

(54) **BRIDGE SADDLE FOR ELECTRIC GUITAR**

(71) Applicant: **Hipshot Products, Inc.**, Interlaken, NY (US)

(72) Inventors: **Joshua Geoffrey Borisoff**, Trumansburg, NY (US); **David Joshua Borisoff**, Ovid, NY (US)

(73) Assignee: **Hipshot Products, Inc.**, Interlaken, NY (US)

(**) Term: **15 Years**

(21) Appl. No.: **29/673,633**

(22) Filed: **Dec. 17, 2018**

(51) **LOC (12) Cl.** **17-03**

(52) **U.S. Cl.**
USPC **D17/21**

(58) **Field of Classification Search**
USPC D17/14, 18, 19, 20, 21, 99; D21/405
CPC .. G10D 1/08; G10D 1/10; G10D 3/00; G10D 3/04; G10D 3/16; G10D 3/163; G10D 3/18; G10G 5/005; G10H 1/348; G09B 15/00

See application file for complete search history.

(56) **References Cited**

U.S. PATENT DOCUMENTS

- 4,960,027 A * 10/1990 Dunwoodie G10D 3/04 84/307
- 6,133,515 A * 10/2000 Hoshino G10D 3/12 84/298
- 6,875,910 B2 * 4/2005 Naimish G10D 3/04 84/298
- D636,812 S * 4/2011 Taylor D17/21

OTHER PUBLICATIONS

Gotoh 510T-BS1 saddle; URL: http://www.g-gotoh.com:80/international/?btp_product=510t-bs1; Published Aug. 13, 2015.

Hipshot Products, Inc.; Stainless Hardtail Bridge; URL: http://store.hipshotproducts.com/cart.php?m=product_detail&p=329; Published Jul. 4, 2013.

Hipshot Products, Inc.; 6 String Ibbby HM Guitar Bridge; URL: <https://hipshotproducts.com/products/6-string-ibby-hm-guitar-bridge>; Accessed Oct. 29, 2018.

Stewart-MacDonald; Non-trem Electric Guitar Bridge Parts; URL: http://www.stewmac.com/Hardware_and_Parts/All_Hardware_and_Parts_by_Instrument/Electric_Guitar_Parts/Electric_Guitar_Bridges_and_Tailpieces/Non-trem_Electric_Guitar_Bridge_Parts; Published Dec. 11, 2015.

Stewart-MacDonald; String Saver Classic Saddles; http://www.stewmac.com/Hardware_and_Parts/All_Hardware_and_Parts_by_Instrument/Electric_Guitar_Parts/Electric_Guitar_Bridges_and_Tailpieces/Non-trem_Electric_Guitar_Bridge_Parts/String_Saver_Classic_Saddles.html; Published Sep. 18, 2016.

* cited by examiner

Primary Examiner — R. Johnson

(74) *Attorney, Agent, or Firm* — Lance M. Pritikin

(57) **CLAIM**

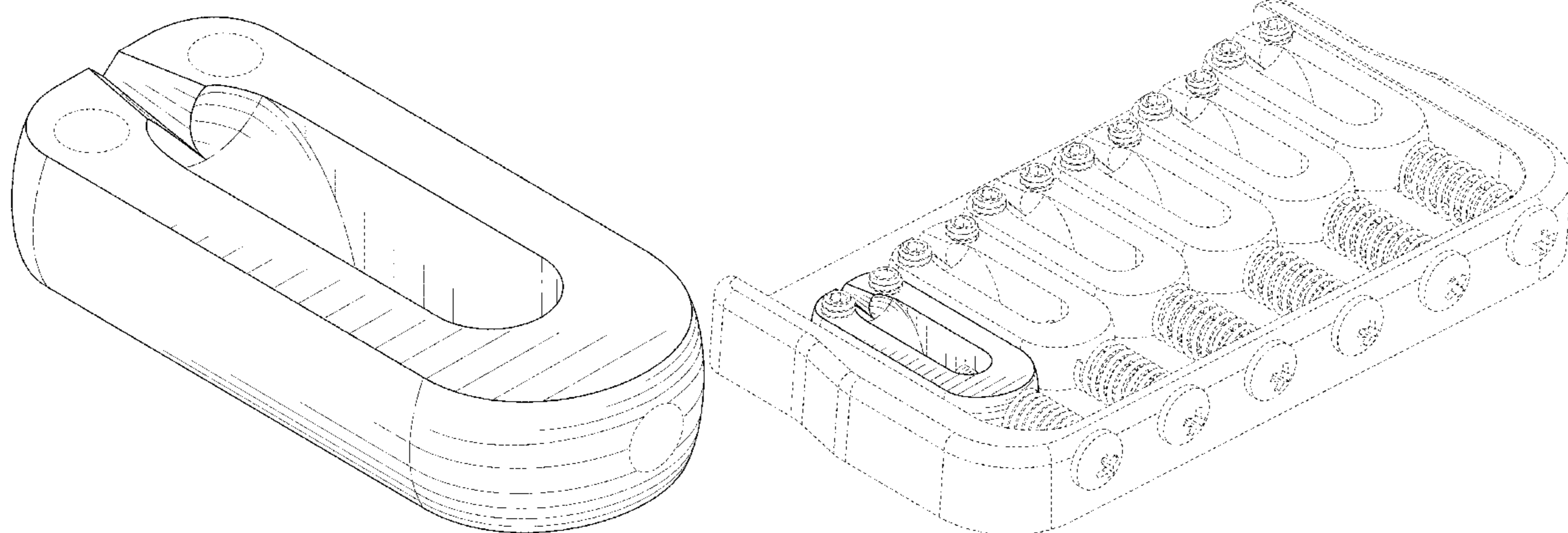
The ornamental design for a bridge saddle for electric guitar, as shown and described.

DESCRIPTION

FIG. 1 is a front perspective view of a bridge saddle for electric guitar, showing our new design; FIG. 2 is a right side view thereof; FIG. 3 is a left side view thereof; FIG. 4 is a front view thereof; FIG. 5 is a rear view thereof; FIG. 6 is a top view thereof; FIG. 7 is a bottom view thereof; FIG. 8 is a cross-sectional view thereof taken along line 8-8 of FIG. 6; and, FIG. 9 is a perspective view thereof as applied to an electric guitar bridge.

The broken lines are included for the purpose of illustrating environment only and form no part of the claimed design.

1 Claim, 4 Drawing Sheets



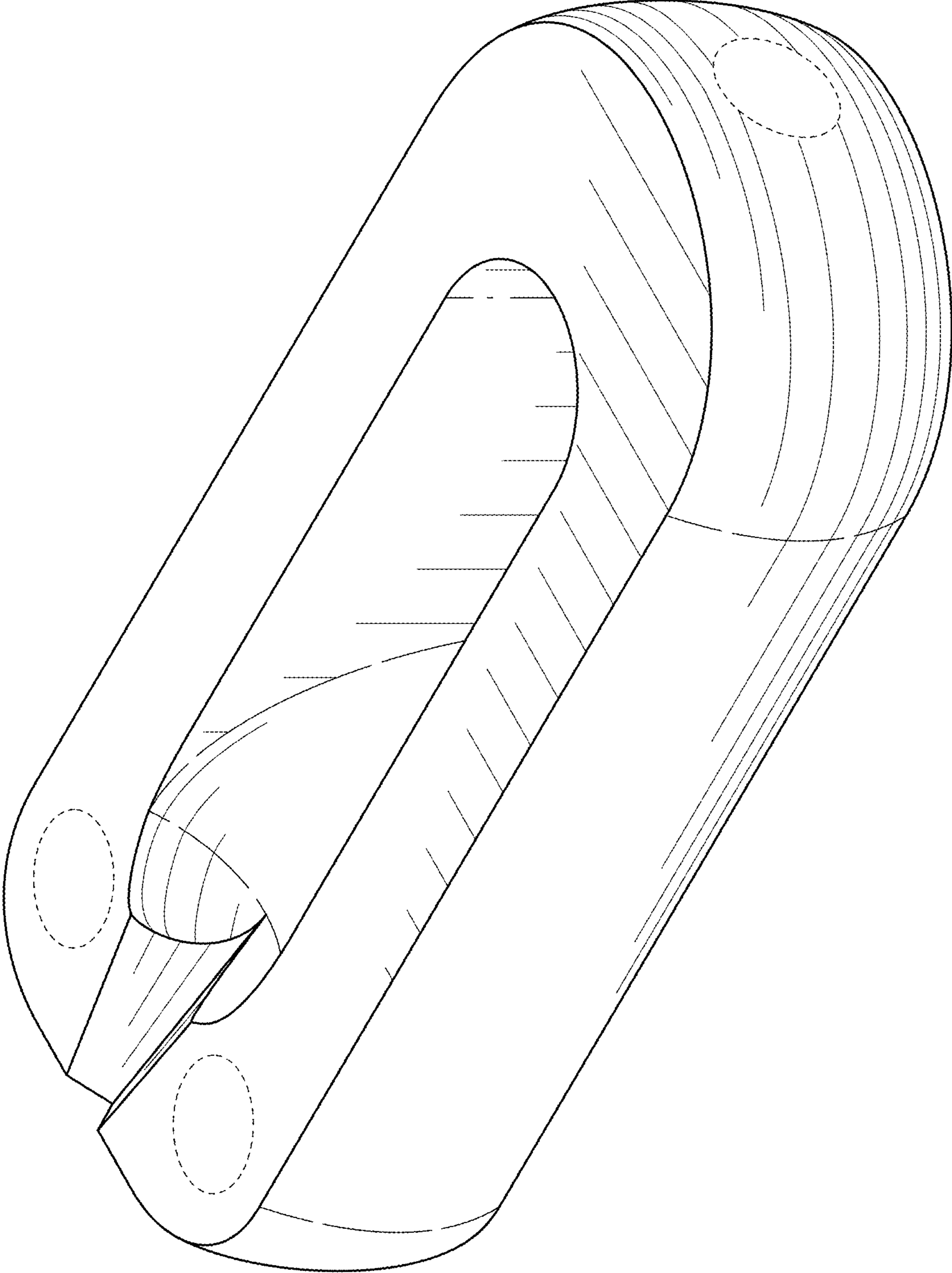


FIG. 1

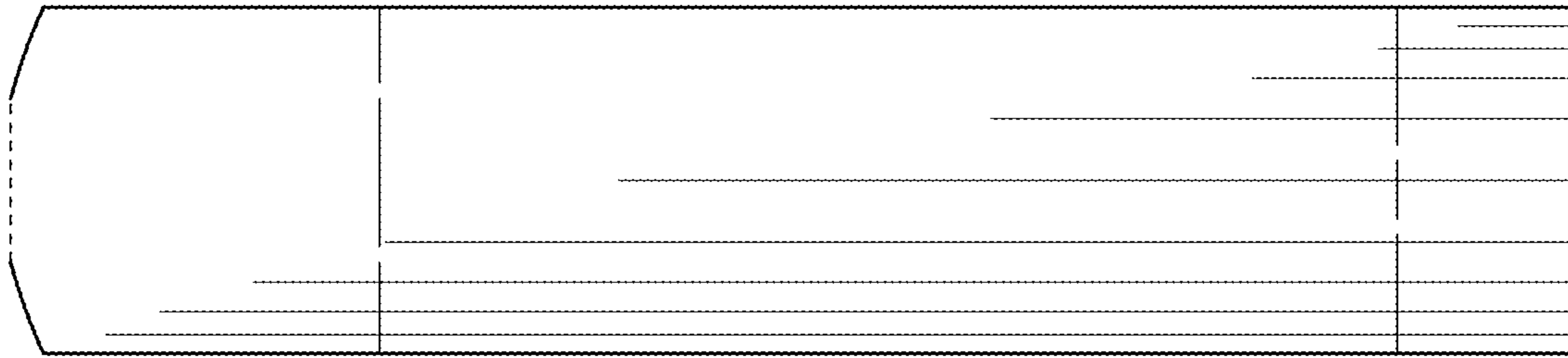


FIG. 2

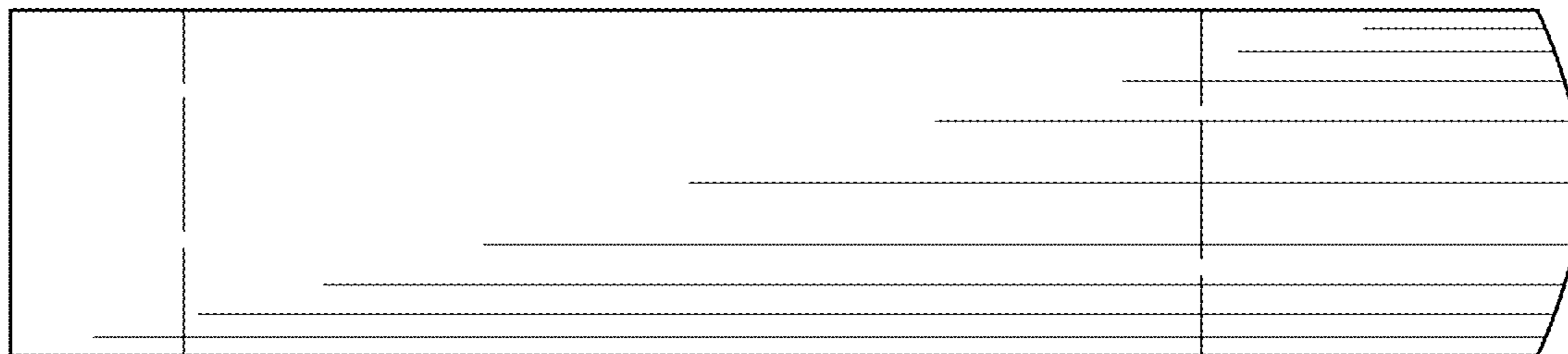


FIG. 3

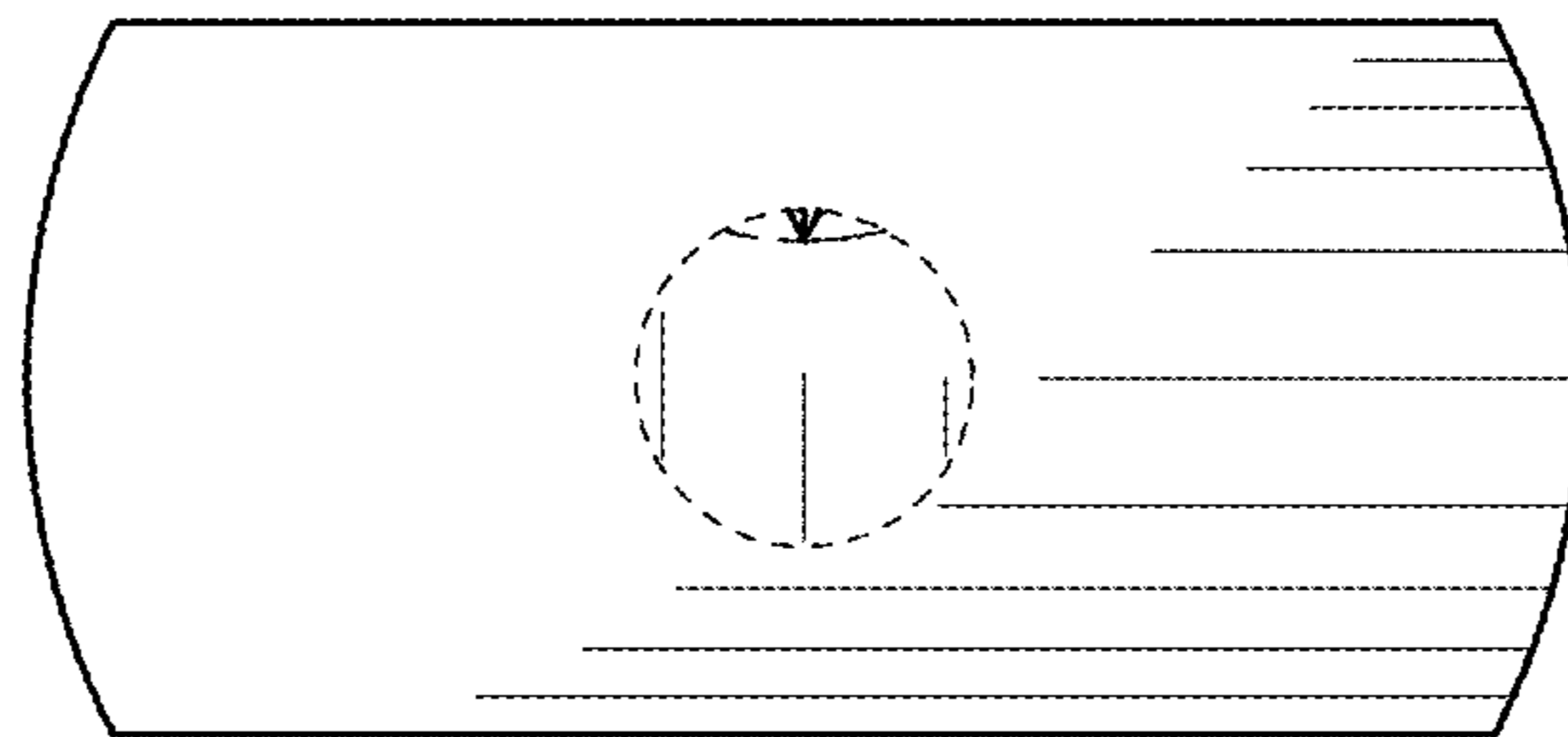


FIG. 4

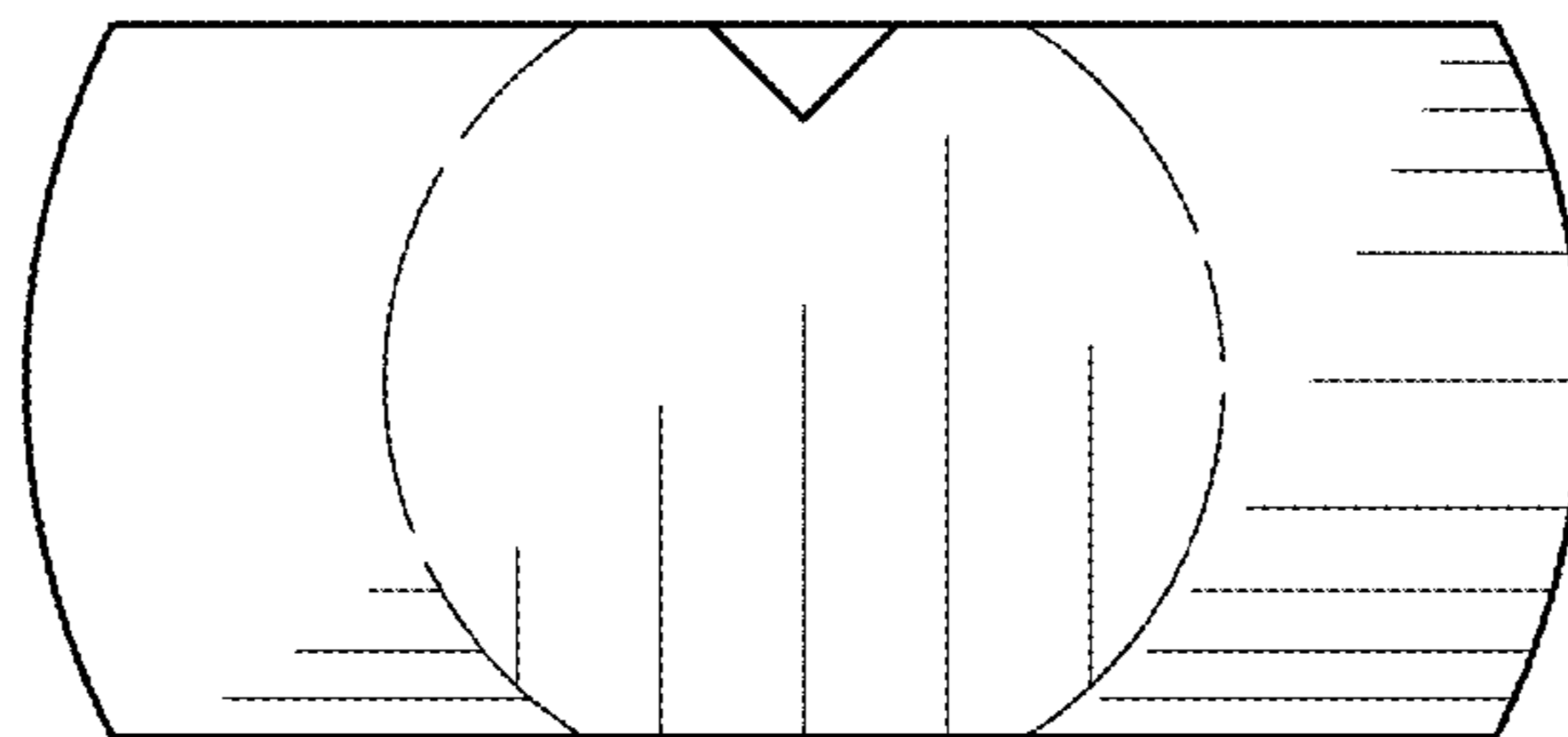


FIG. 5

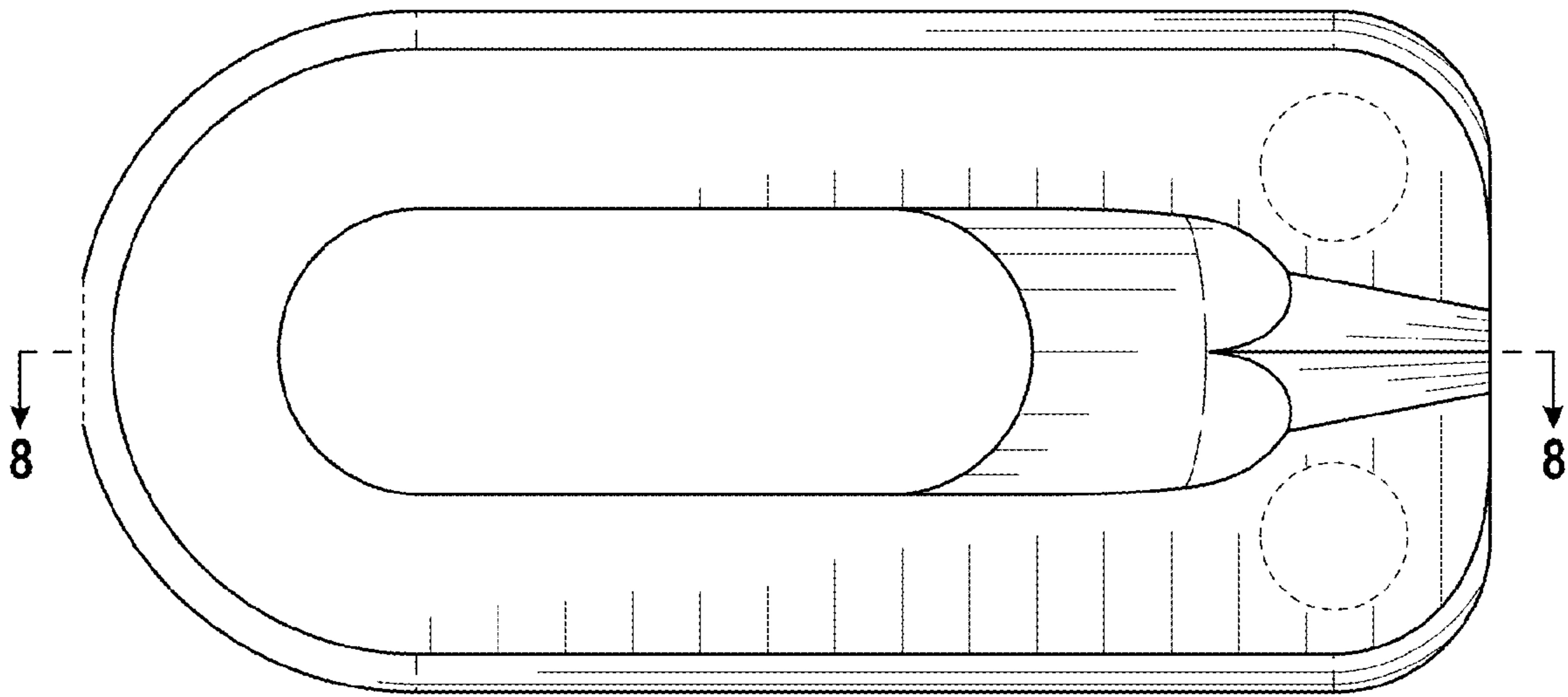


FIG. 6

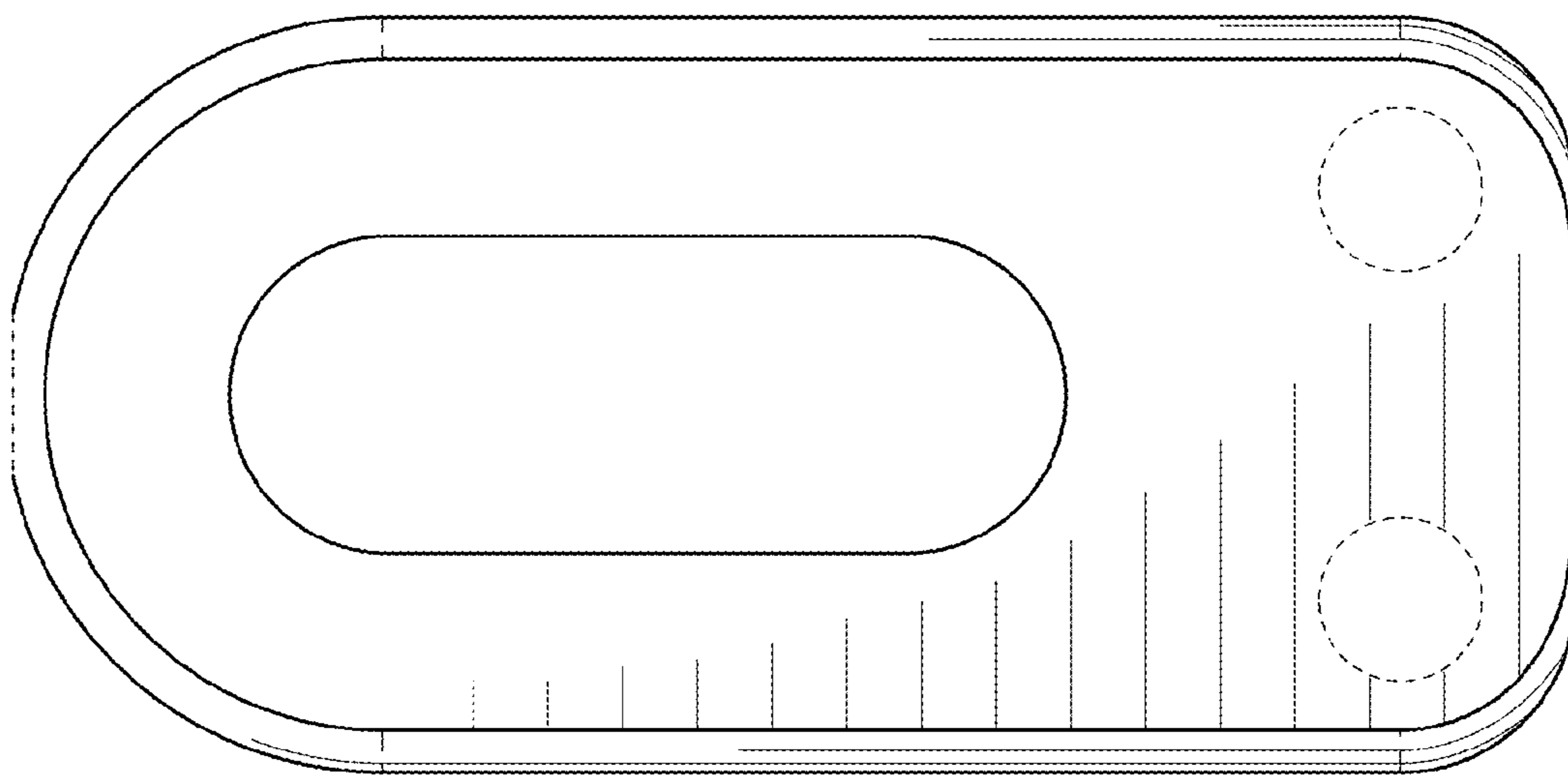


FIG. 7

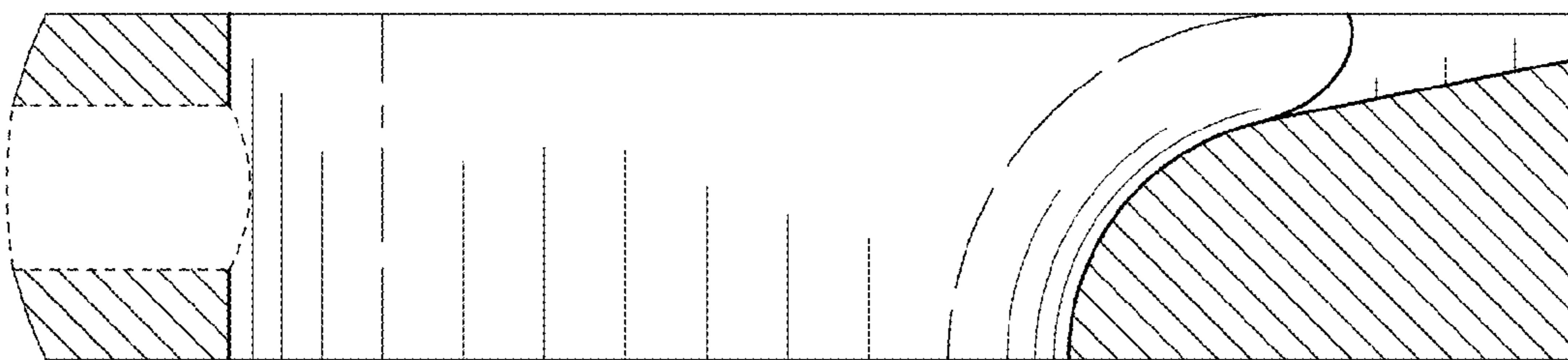


FIG. 8

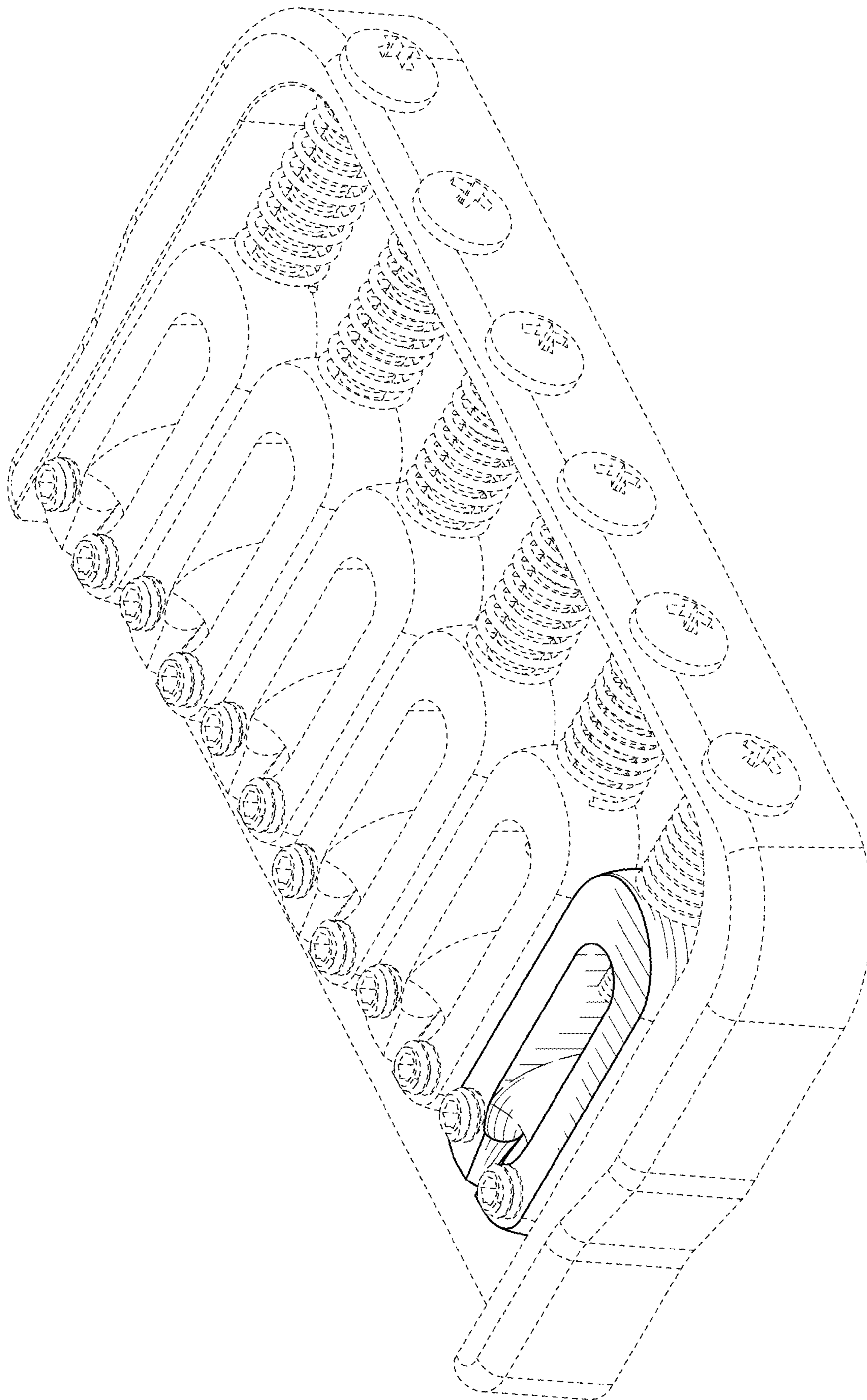


FIG. 9