



US00D888143S

(12) **United States Design Patent**
Sheldon et al.

(10) **Patent No.:** **US D888,143 S**
(45) **Date of Patent:** **** Jun. 23, 2020**

(54) **EYEWEAR**

(71) Applicant: **Brent Sheldon**, Miami Beach, FL (US)

(72) Inventors: **Brent Sheldon**, Miami Beach, FL (US);
Guy Brousseau, Jr., Marieville (CA)

(73) Assignee: **Brent Sheldon**, Miami Beach, FL (US)

(**) Term: **15 Years**

(21) Appl. No.: **29/664,924**

(22) Filed: **Sep. 28, 2018**

(51) **LOC (12) Cl.** **16-06**

(52) **U.S. Cl.**
USPC **D16/326**

(58) **Field of Classification Search**
USPC D16/300, 322, 323, 324, 326, 329
CPC G02C 7/10
See application file for complete search history.

(56) **References Cited**

U.S. PATENT DOCUMENTS

D763,944 S	*	8/2016	Shin	D16/326
D769,962 S	*	10/2016	Markovitz	D16/326
D846,019 S	*	4/2019	Sanchez	D16/326
D855,689 S	*	8/2019	Miera	D16/326

OTHER PUBLICATIONS

Ray-Ban Junior Wrap Around Sunglasses, posted at rakuten.com, posting date not given, [online], [site visited Jan. 31, 2020]. Available from Internet, URL: <https://www.rakuten.com/shop/walk-into-fashion/product/ItemID12247498/> (Year: 2020).*

Ray-Ban RB4147 Sunglasses, posted at framesdirect.com, posting date not given, [online], [site visited Jan. 31, 2020]. Available from Internet, URL: <https://www.framesdirect.com/ray-ban-rb4147-sunglasses> (Year: 2020).*

Ray-Ban RB4188 Wrap Sunglasses, posted at amazon.com, posting date Jul. 2, 2019, [online], [site visited Jan. 31, 2020]. Available

from Internet, URL: <https://www.amazon.com/Ray-Ban-Mens-RB4188-Wrap-Sunglasses/dp/B0099S2304> (Year: 2019).*

Ray-Ban RB4265 Chromance Mirrored Rectangular Sunglasses, posted at amazon.com, posting date Jun. 14, 2016, [online], [site visited]. Available from Internet, Url: <https://www.amazon.com/dp/B0115FFD8A> (Year: 2016).*

Ray-Ban Sport Sunglasses, posted at overstock.com, posting date not given, [online], [site visited Jan. 31, 2020]. Available from Internet, URL: <https://www.overstock.com/Clothing-Shoes/Ray-Ban-Sport-RB-4283CH-710-A3-Unisex-Tortoise-Frame-Bronze-Mirror-Chromance-Lens-Sunglasses/18224441/product.html> (Year: 2020).*

* cited by examiner

Primary Examiner — George D. Kirschbaum

Assistant Examiner — Maria J Edwards

(57) **CLAIM**

The ornamental design of eyewear, as shown and described.

DESCRIPTION

FIG. 1 is a front perspective view of a first embodiment of the eyewear;

FIG. 2 is a rear perspective view thereof;

FIG. 3 is a top view thereof;

FIG. 4 is a front view thereof;

FIG. 5 is a side view thereof;

FIG. 6 is a rear view thereof;

FIG. 7 is a bottom view thereof;

FIG. 8 is a front perspective view of a second embodiment of the eyewear;

FIG. 9 is a rear perspective view thereof;

FIG. 10 is a top view thereof;

FIG. 11 is a front view thereof;

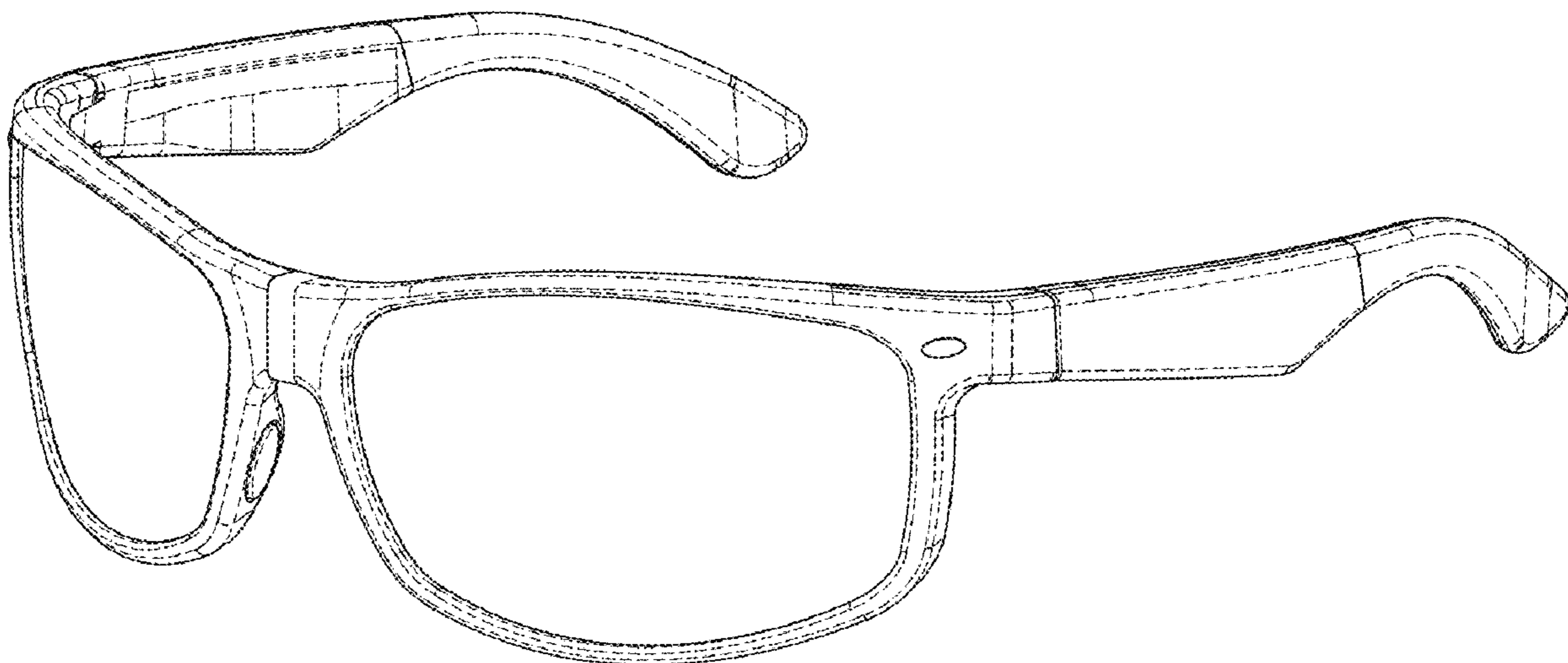
FIG. 12 is a side view thereof;

FIG. 13 is a rear view thereof; and,

FIG. 14 is a bottom view thereof.

The broken lines in the drawing illustrate portions of the eyewear and form no part of the claimed design.

1 Claim, 6 Drawing Sheets



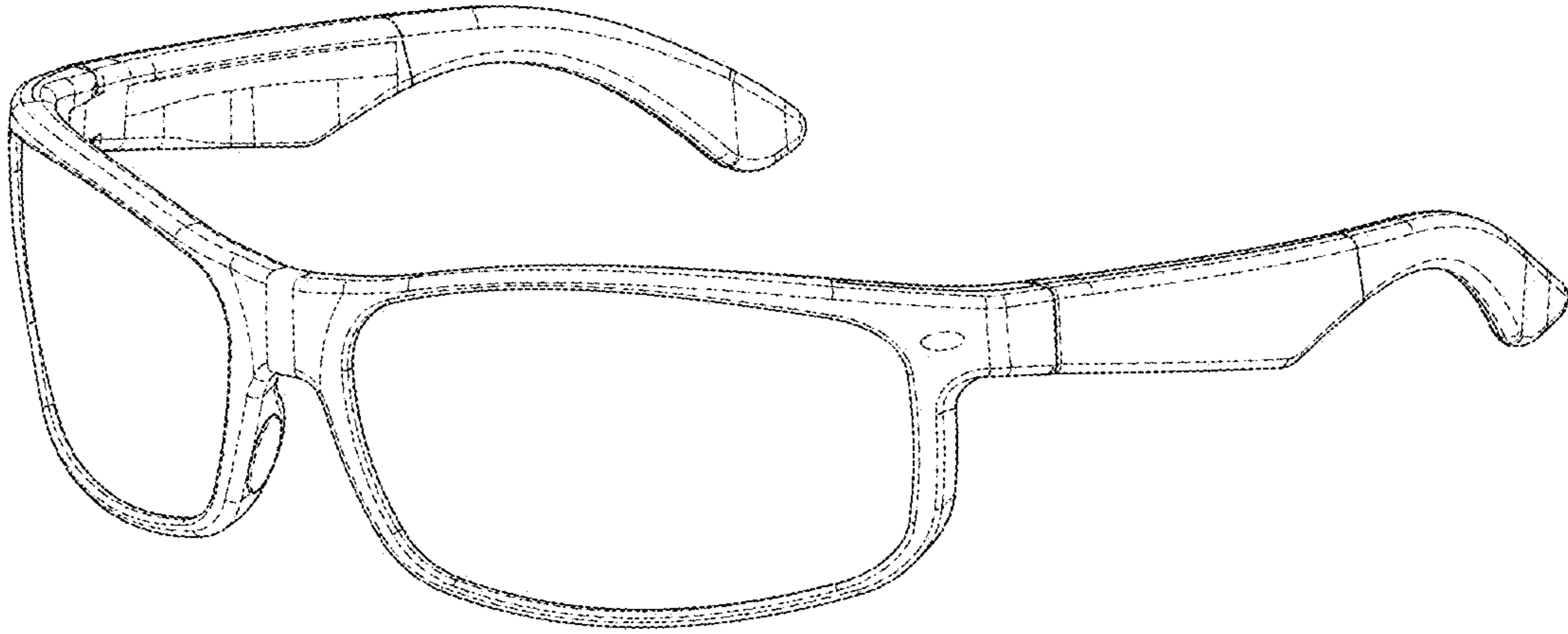


FIG. 1

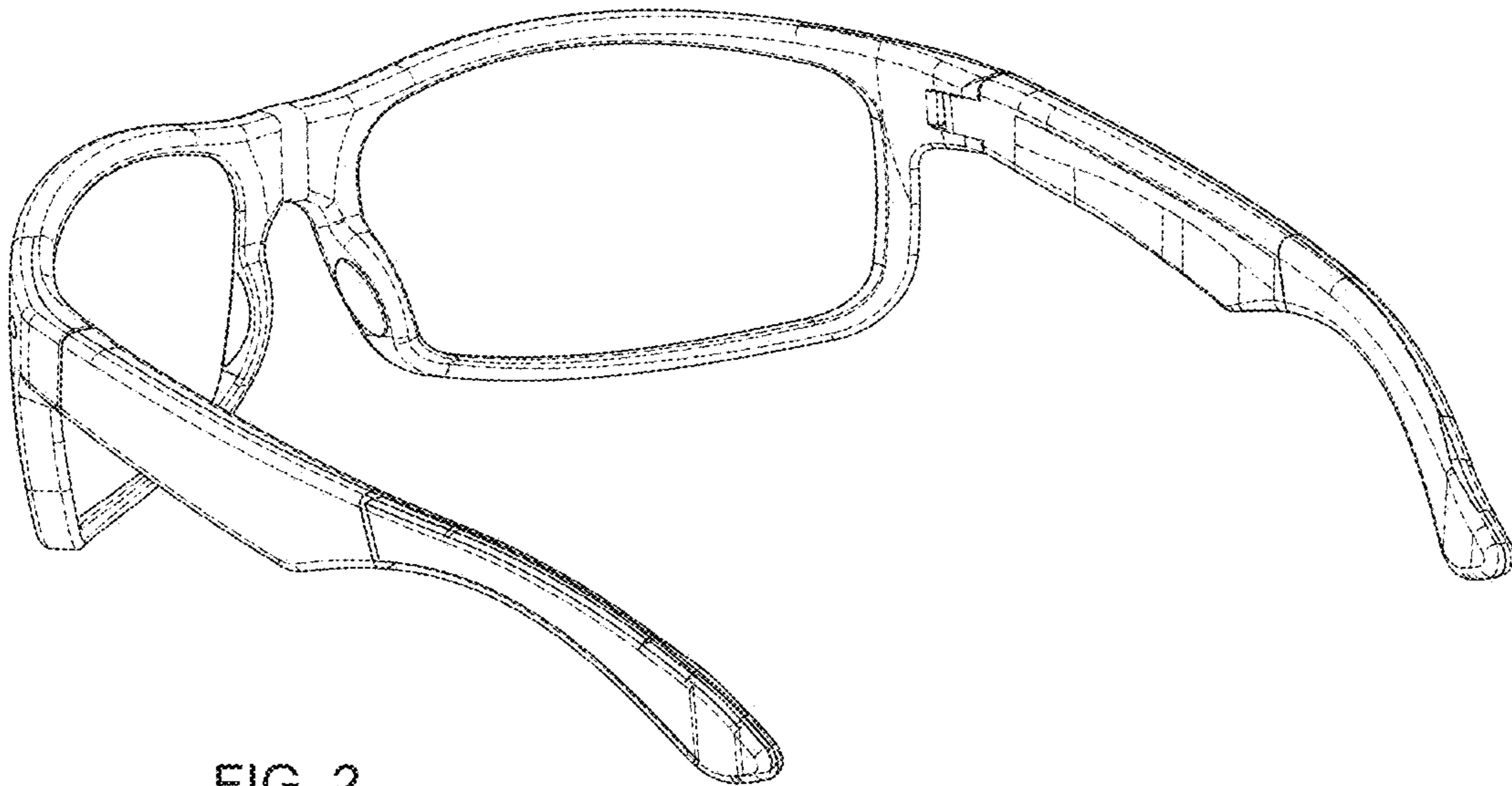


FIG. 2

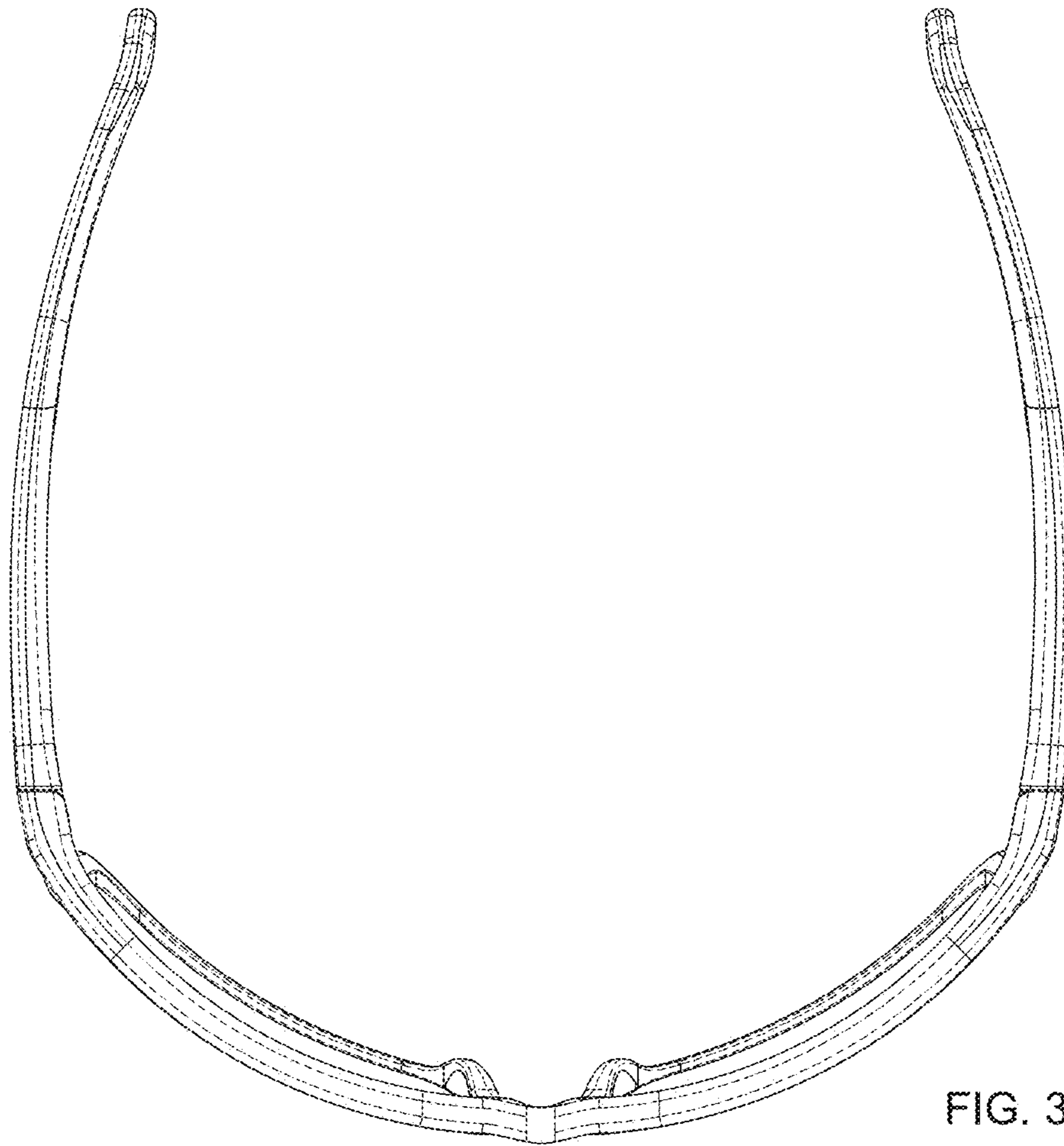


FIG. 3

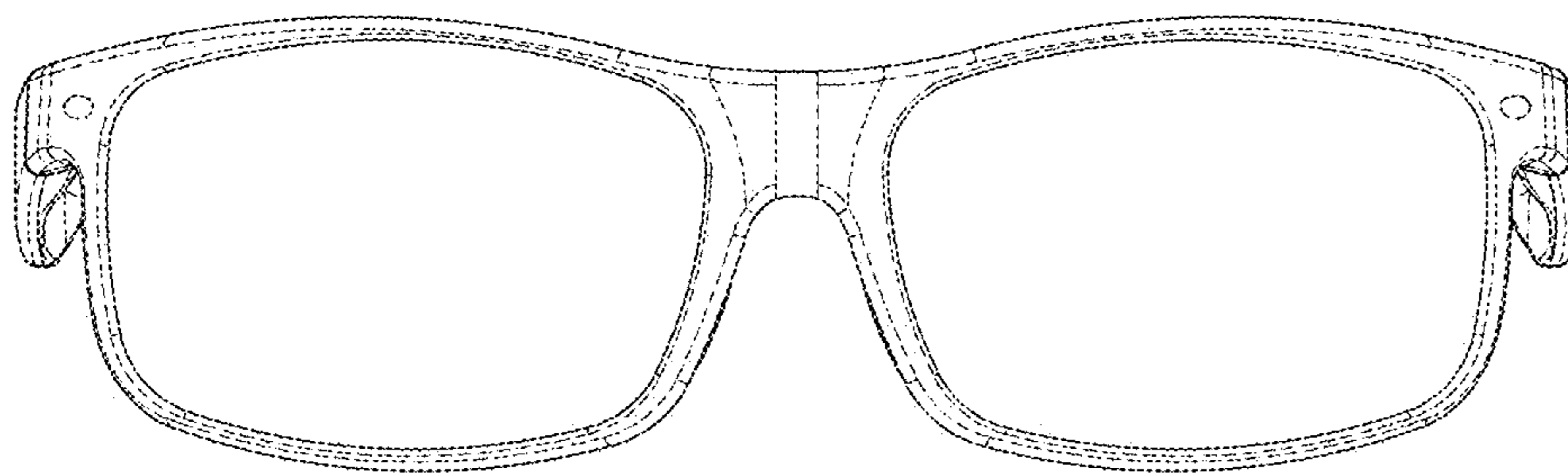


FIG. 4

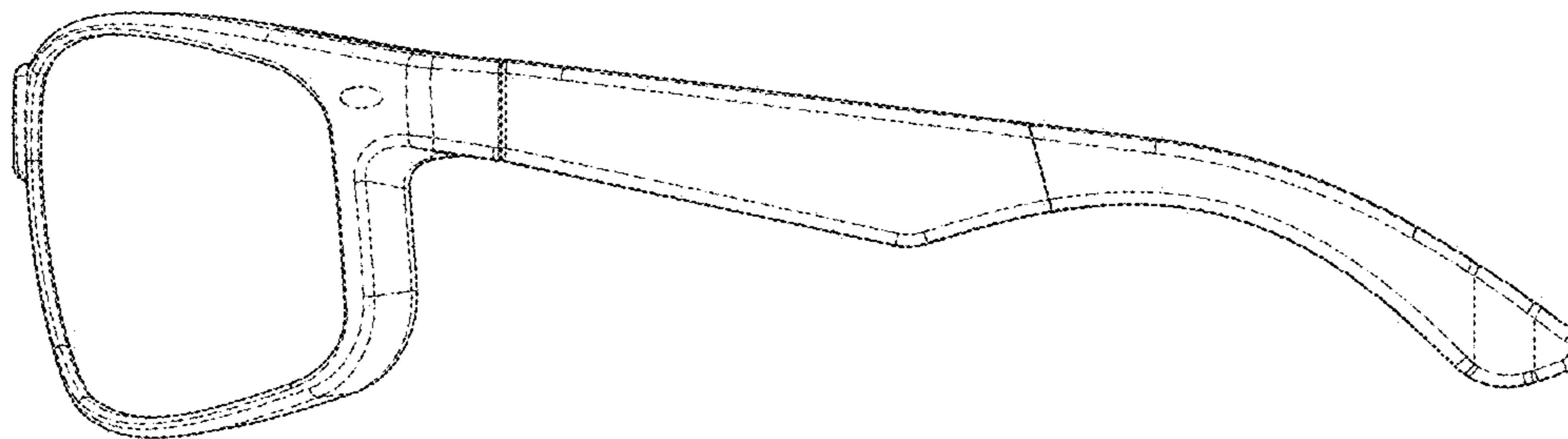


FIG. 5

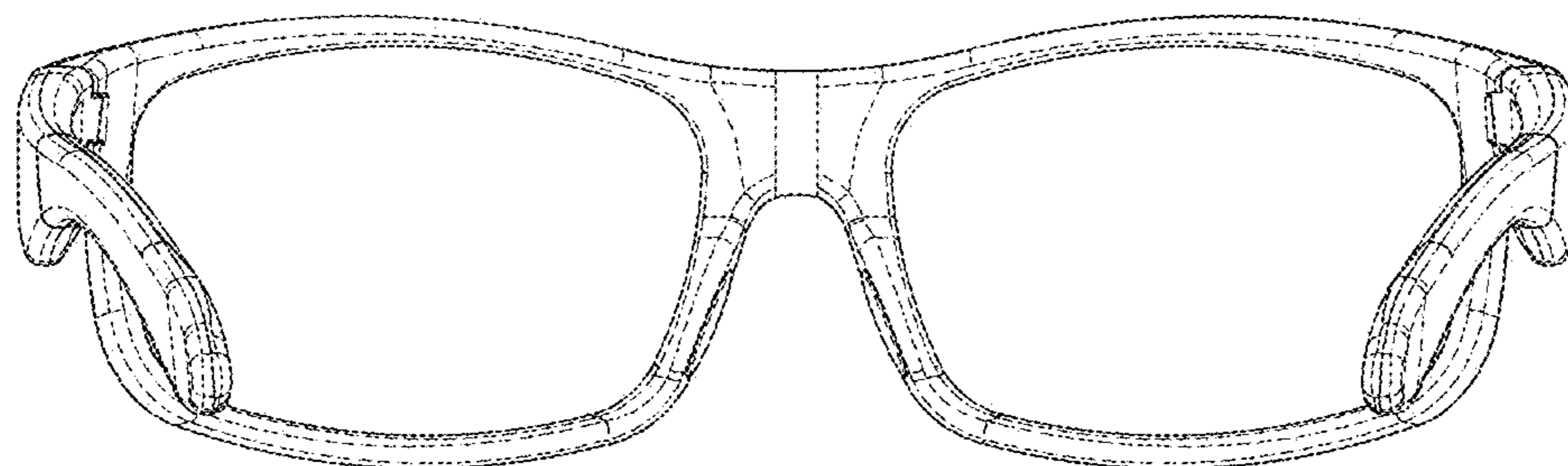


FIG. 6



FIG. 7

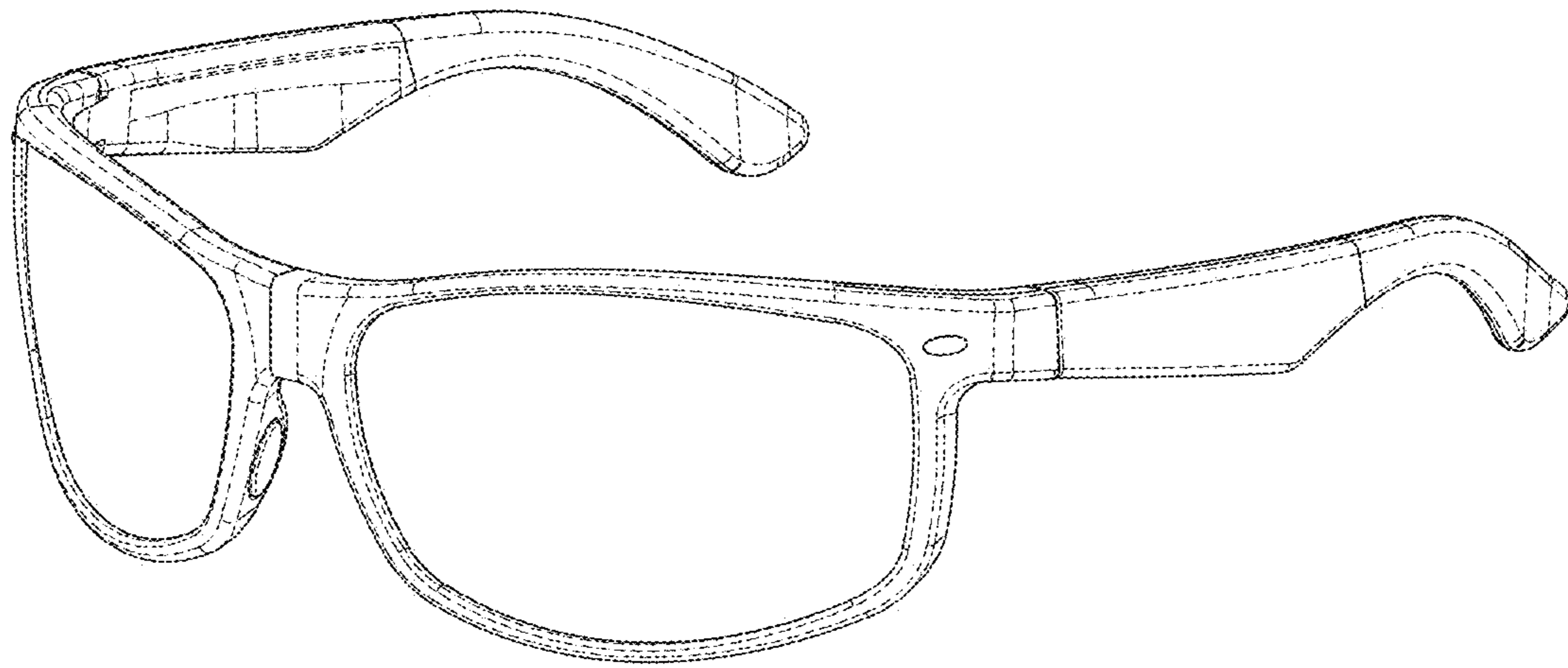


FIG. 8

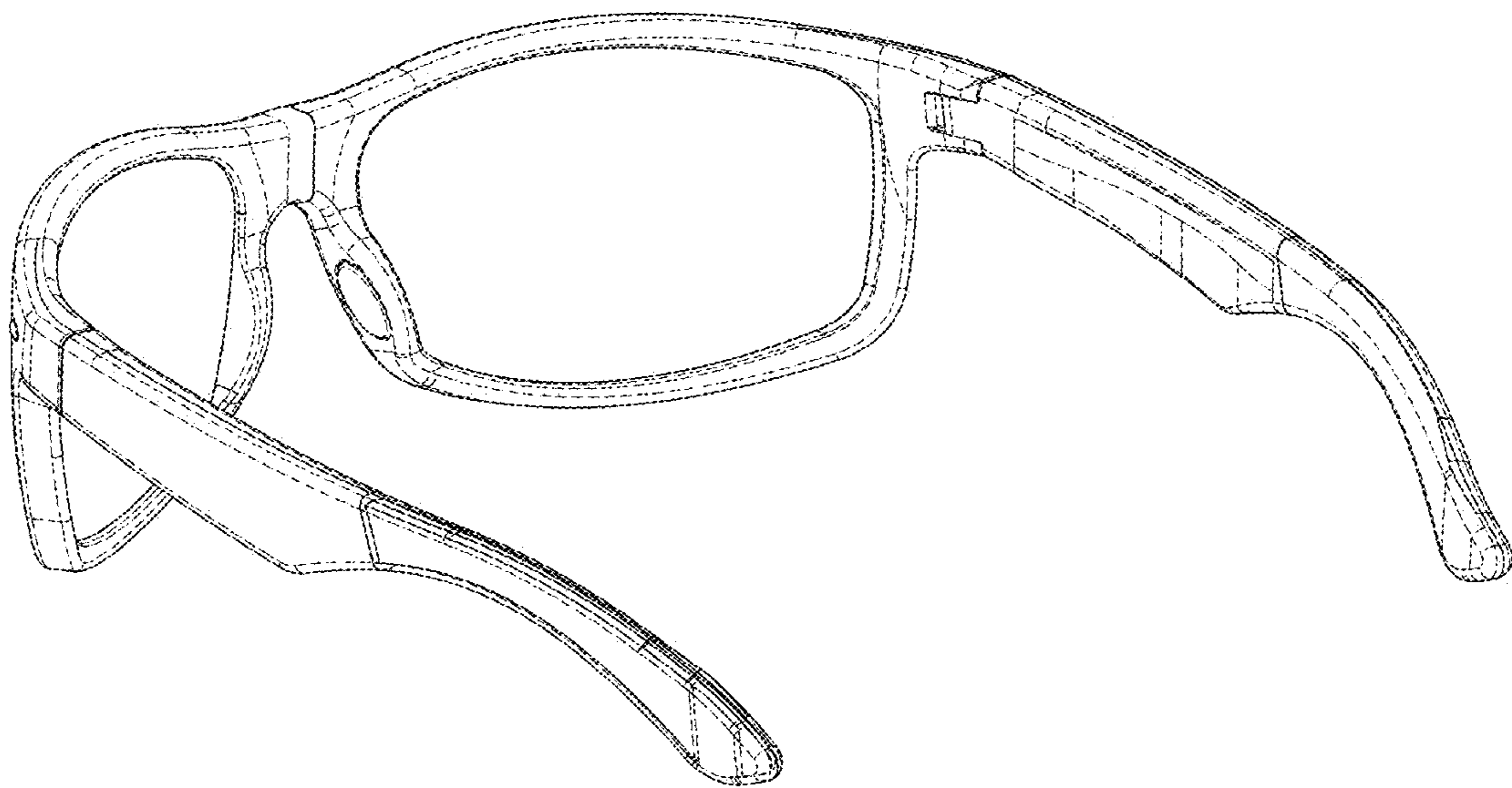


FIG. 9

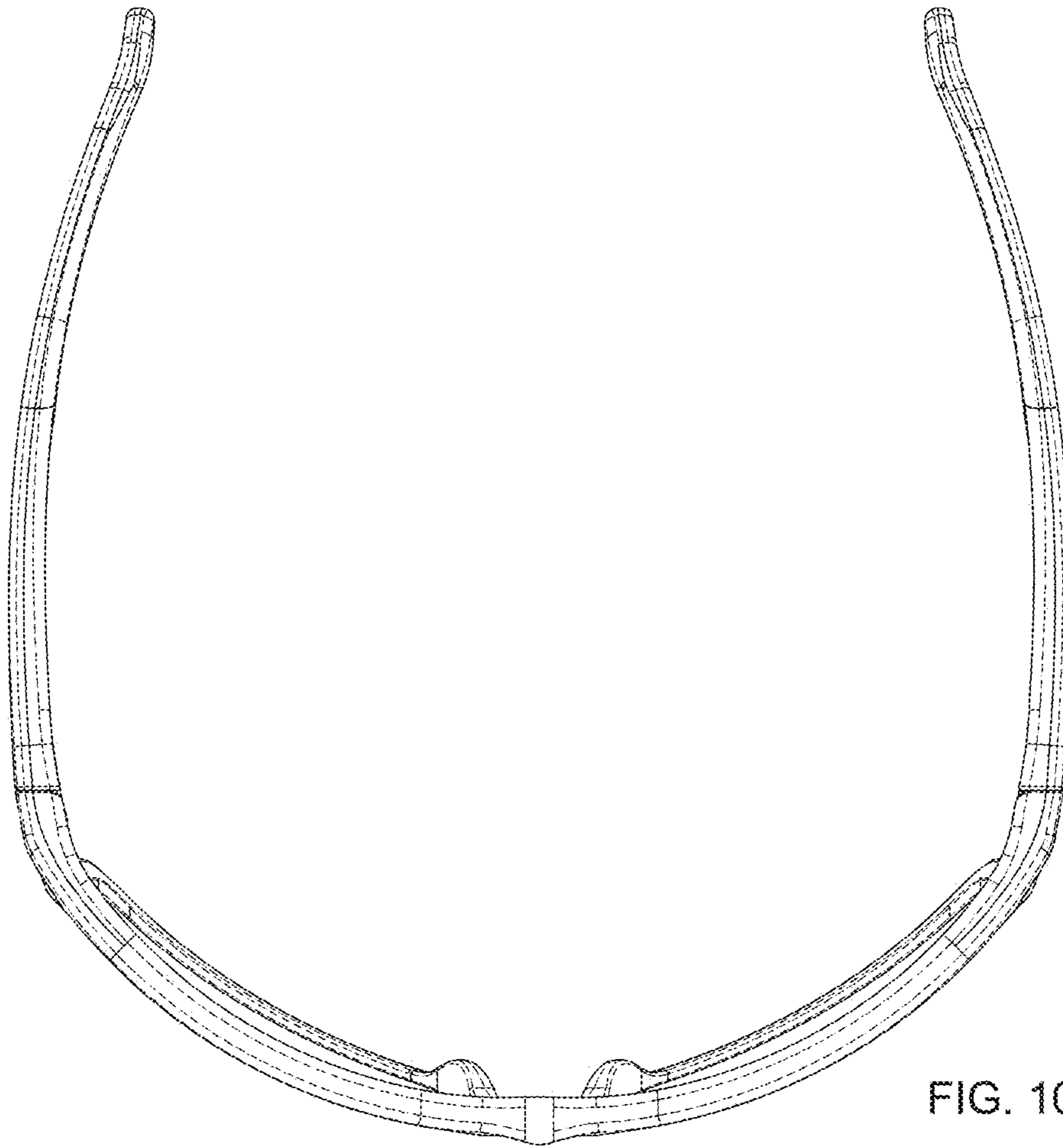


FIG. 10

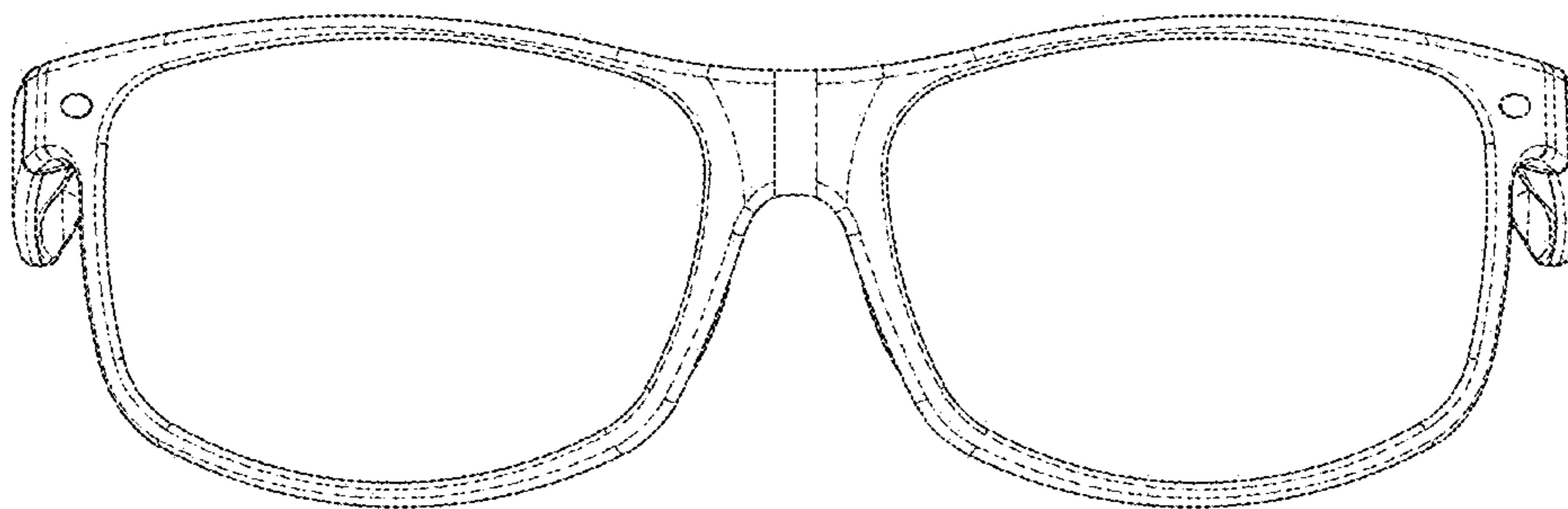


FIG. 11

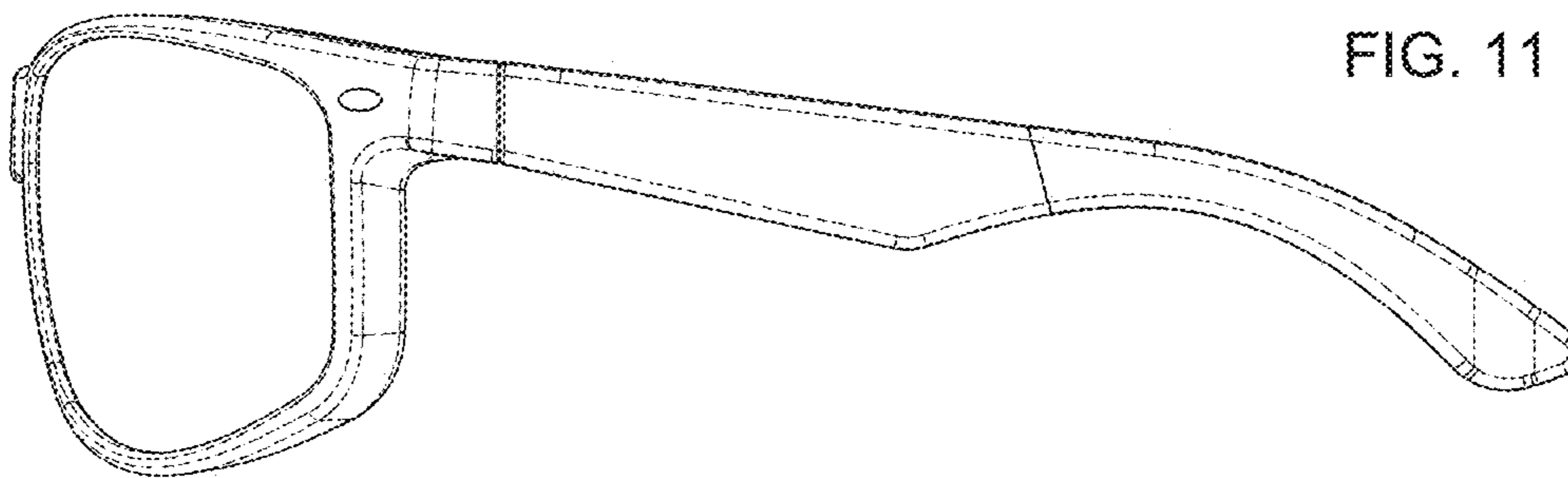


FIG. 12

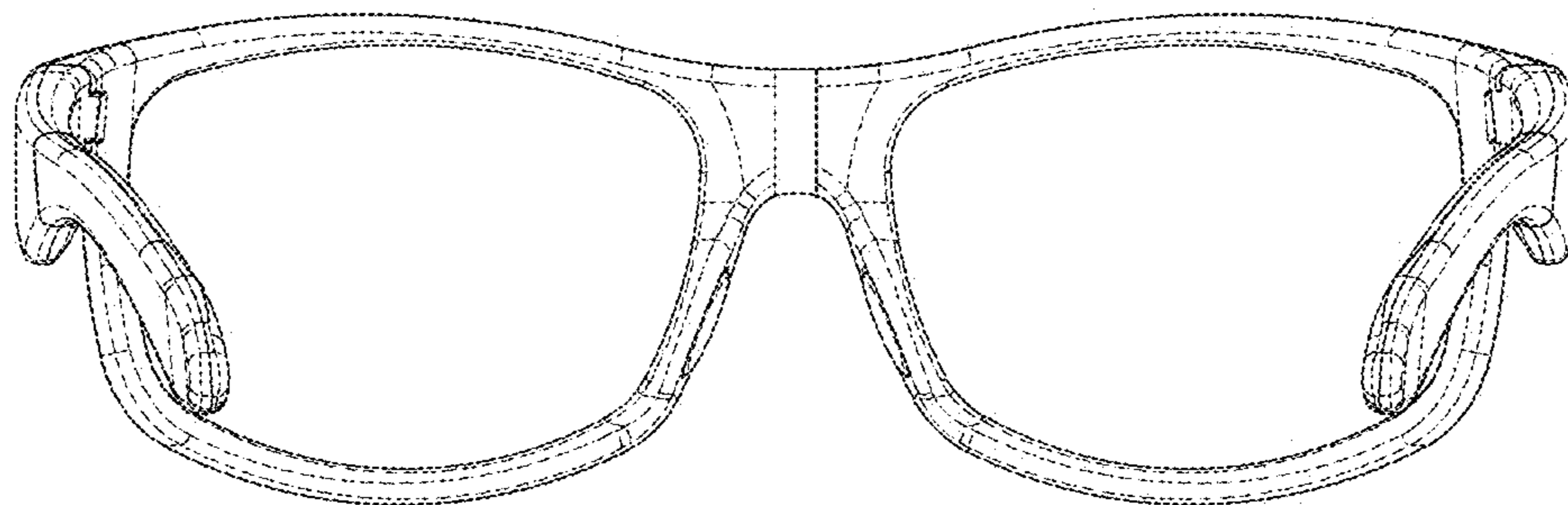


FIG. 13



FIG. 14