



US00D888138S

(12) **United States Design Patent**
Rao et al.

(10) **Patent No.:** **US D888,138 S**
(45) **Date of Patent:** **** Jun. 23, 2020**

(54) **SECURITY MONITORING DEVICE MOUNT**

(71) Applicant: **Canary Connect, Inc.**, New York, NY (US)

(72) Inventors: **Matthew Rao**, Massapequa Park, NY (US); **James C. Krause**, Astoria, NY (US); **Johan Liden**, New York, NY (US); **Brett Tom**, San Francisco, CA (US); **Eric Joseph Call**, New York, NY (US)

(73) Assignee: **Canary Connect, Inc.**, New York, NY (US)

(**) Term: **15 Years**

(21) Appl. No.: **29/668,685**

(22) Filed: **Nov. 1, 2018**

Related U.S. Application Data

(62) Division of application No. 29/572,257, filed on Jul. 26, 2016, now Pat. No. Des. 836,147.

(51) **LOC (12) Cl.** **16-05**

(52) **U.S. Cl.**
USPC **D16/242**

(58) **Field of Classification Search**

USPC D16/200–220, 239, 235, 250, 310, 136, D16/237, 242–245, 214; D14/251, D14/138 C, 302, 129, 130, 496, 252, 447, D14/434, 432, 457, 238, 238.1, 142, 149, D14/217, 209, 209.1, 250; D26/28, 36, D26/37, 46, 39; D29/104; D10/104.1, D10/50, 65, 74, 106.6, 121; D13/107, D13/108; D12/415, 223, 114, 420, 417, D12/177; D3/218; D8/349; D6/677, D6/672, 407, 553
CPC ... G02B 7/02; G02B 7/04; G02B 7/14; G03B 17/00; G03B 17/14; G03B 9/08; H04N 5/2252; H04N 5/2253; H04N 5/2254; H04N 7/00; F16M 13/00; F16M 11/00; F16M

(Continued)

(56) **References Cited**

U.S. PATENT DOCUMENTS

D338,675 S * 8/1993 Wharton D14/250
D347,484 S 5/1994 Tsushi

(Continued)

OTHER PUBLICATIONS

Factory Management Magazine, 2007, vol. 53, No. 1, p. 129.
Modo Magazine, Jun.-Jul. 2005, p. 245.

Primary Examiner — T Chase Nelson

Assistant Examiner — Mary Claire Ramirez

(74) *Attorney, Agent, or Firm* — Sheehan Phinney Bass & Green PA

(57) **CLAIM**

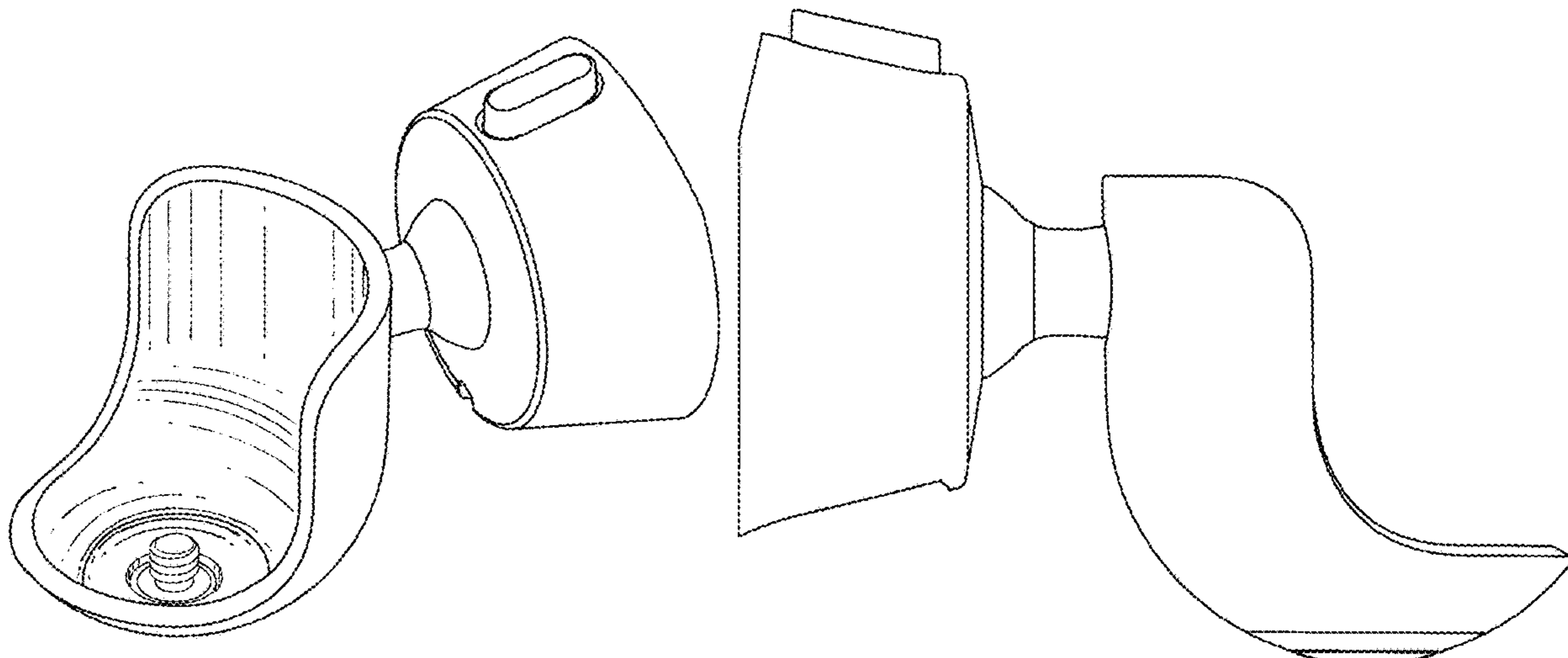
What is claimed is the ornamental design for a security monitoring device mount, as shown and described.

DESCRIPTION

FIG. 1 is a front, right perspective view of a security monitoring device mount showing the new design; FIG. 2 is another front, right perspective view of the security monitoring device mount; FIG. 3 is a rear, right perspective view thereof; FIG. 4 is a top view thereof; FIG. 5 is a front view thereof; FIG. 6 is a right view thereof; FIG. 7 is a left view thereof; FIG. 8 is a rear view thereof; and, FIG. 9 is a bottom view thereof.

The broken lines showing a security monitoring device in FIG. 1 depict environmental subject matter that forms no part of the claimed design. All other broken lines shown in the drawings depict portions of the security monitoring device mount that form no part of the claimed design.

1 Claim, 5 Drawing Sheets



(58) **Field of Classification Search**
 CPC 11/04; F16M 11/041; F16M 11/02; F16M
 11/06; B60R 11/02; B60R 11/0211; B60R
 11/0294; B60R 11/0217; H04M 1/04;
 H04M 1/06; B62J 11/00
 See application file for complete search history.

(56) **References Cited**

U.S. PATENT DOCUMENTS

D357,201 S 4/1995 Novack
 D415,706 S * 10/1999 Ikeda D10/106.6
 D446,534 S 8/2001 Zimmer
 D454,902 S 3/2002 Hsu
 D471,578 S * 3/2003 Okuley D13/108
 D475,381 S 6/2003 Komatsu
 D483,281 S 12/2003 Cobigo
 D516,025 S * 2/2006 Quinn D13/108
 D527,666 S * 9/2006 Tal D10/106.6
 D532,639 S * 11/2006 Snell D6/567
 D535,903 S * 1/2007 Nicolai D10/106.6
 D540,969 S 4/2007 Ueda et al.
 D552,597 S * 10/2007 Solland D14/217
 D566,730 S 4/2008 Lee
 D590,863 S 4/2009 Ke
 D593,131 S 5/2009 Lee
 D600,733 S 9/2009 Kim
 D621,347 S * 8/2010 Aulwes D13/108
 D627,815 S 11/2010 Oba
 D642,159 S * 7/2011 Joseph D14/215
 D645,843 S * 9/2011 Bolton D14/209.1
 D666,662 S * 9/2012 Runnals D16/242
 D673,528 S * 1/2013 Trotsky D14/217
 D687,016 S * 7/2013 Brunner D14/216
 D721,119 S 1/2015 Nuk et al.
 D724,346 S * 3/2015 Lim D6/553
 D726,446 S * 4/2015 Tollasepp D6/553
 D727,395 S * 4/2015 Choi D16/242
 D731,496 S * 6/2015 Voorhees D14/447
 D735,945 S * 8/2015 Reishus D28/73
 D736,210 S * 8/2015 Paradise D14/434
 D745,369 S * 12/2015 Tungesvick D8/349
 D747,228 S 1/2016 Fiedler et al.
 D753,633 S * 4/2016 Fields D14/217
 D753,748 S 4/2016 Schneider et al.
 D765,756 S 9/2016 Liu
 D767,568 S 9/2016 McWilliam
 D768,604 S * 10/2016 Flowers D13/108
 D773,329 S 12/2016 Olodort et al.

D776,640 S 1/2017 Simonian et al.
 D784,294 S * 4/2017 Fields D14/217
 D784,438 S * 4/2017 Rondinelli D16/242
 D785,067 S * 4/2017 Ramones D16/203
 D788,834 S 6/2017 Bhattacharaya
 D789,819 S * 6/2017 Chen D10/106.6
 D800,201 S * 10/2017 Song D16/202
 D801,414 S * 10/2017 Martin D16/242
 9,792,504 B2 * 10/2017 Lin G06K 9/00771
 D803,919 S 11/2017 Jeong
 D803,923 S 11/2017 Tudosoiu
 D805,570 S * 12/2017 Shi D16/202
 D805,572 S 12/2017 Högstedt et al.
 D806,154 S * 12/2017 Shi D16/202
 D807,287 S * 1/2018 Kim D13/107
 D807,288 S * 1/2018 Kim D13/107
 D807,939 S 1/2018 Lundin et al.
 D808,454 S * 1/2018 Seflic D16/200
 D809,044 S * 1/2018 Loew D16/202
 D810,165 S * 2/2018 Webb D15/199
 D810,168 S * 2/2018 Shi D16/202
 9,976,692 B1 * 5/2018 Nicolas F16M 11/10
 9,982,832 B1 * 5/2018 Nicolas F16M 11/10
 D823,840 S * 7/2018 Gilbert D14/238
 D825,639 S * 8/2018 Kan D16/203
 D829,121 S * 9/2018 Colasse D10/106.1
 D830,872 S * 10/2018 Jacob D10/118.2
 D836,147 S * 12/2018 Rao D16/203
 D840,965 S * 2/2019 Ke D14/159
 D841,077 S * 2/2019 Kip D16/242
 D841,630 S * 2/2019 Mecchella D14/238.1
 D848,443 S * 5/2019 Yao D14/447
 D855,564 S * 8/2019 Brennan D13/108
 D862,472 S * 10/2019 Huebner D14/432
 D863,398 S * 10/2019 Huang D16/203
 D864,147 S * 10/2019 Munger D14/159
 D864,148 S * 10/2019 Munger D14/159
 D870,665 S * 12/2019 Schubert D13/108
 D870,712 S * 12/2019 Yin D14/224
 D872,097 S * 1/2020 Leitman D14/447
 2006/0108485 A1 5/2006 Enderle
 2011/0124383 A1 * 5/2011 Garra H04M 1/72519
 455/575.1
 2014/0103179 A1 4/2014 Lipke et al.
 2016/0330365 A1 11/2016 Maruyama et al.
 2017/0029006 A1 * 2/2017 Kim B62B 9/26
 2017/0078583 A1 3/2017 Haggerty et al.
 2017/0208225 A1 7/2017 Rice
 2018/0187828 A1 * 7/2018 Law F16M 11/041
 2019/0236919 A1 * 8/2019 Mehdi F16M 11/041

* cited by examiner

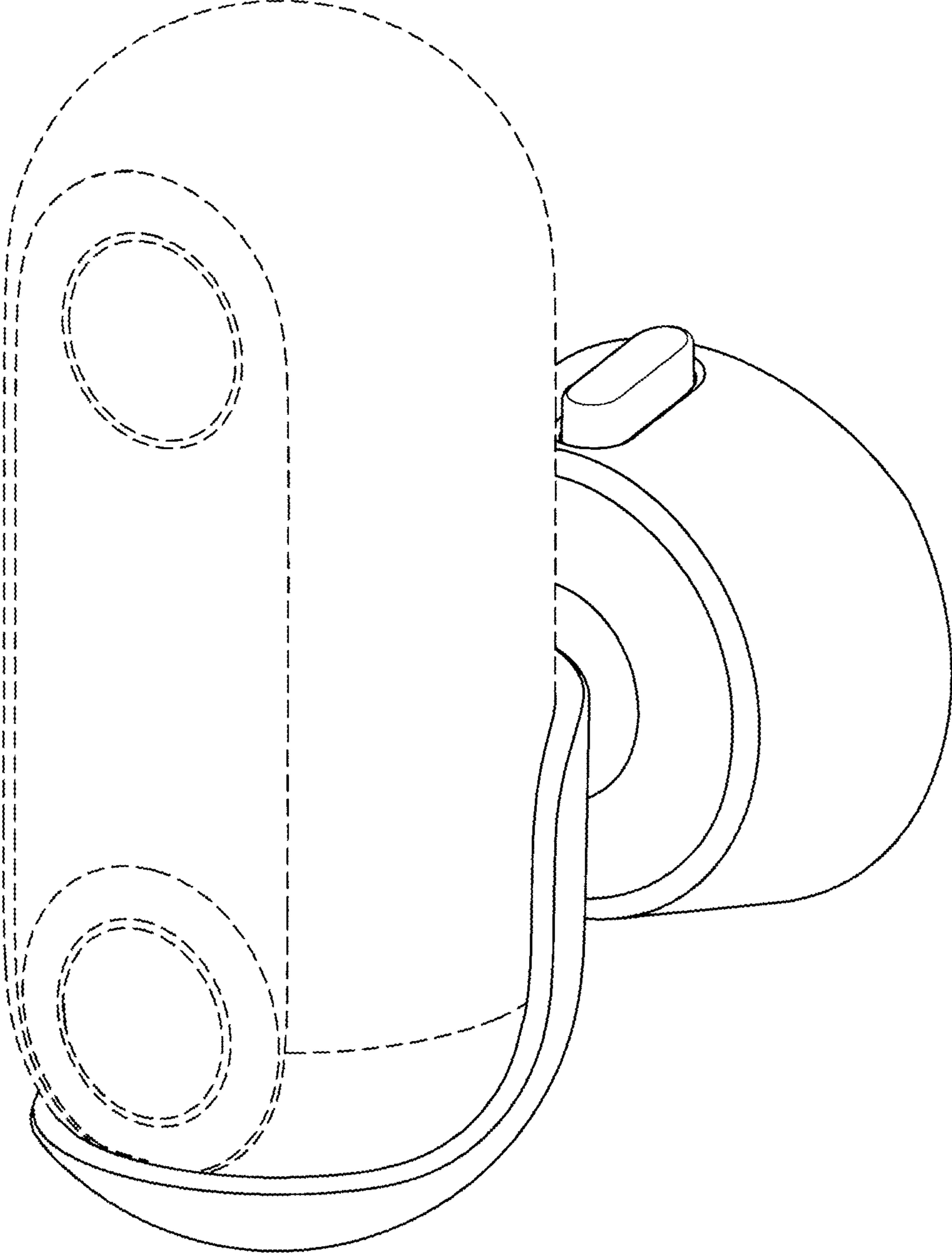


FIG. 1

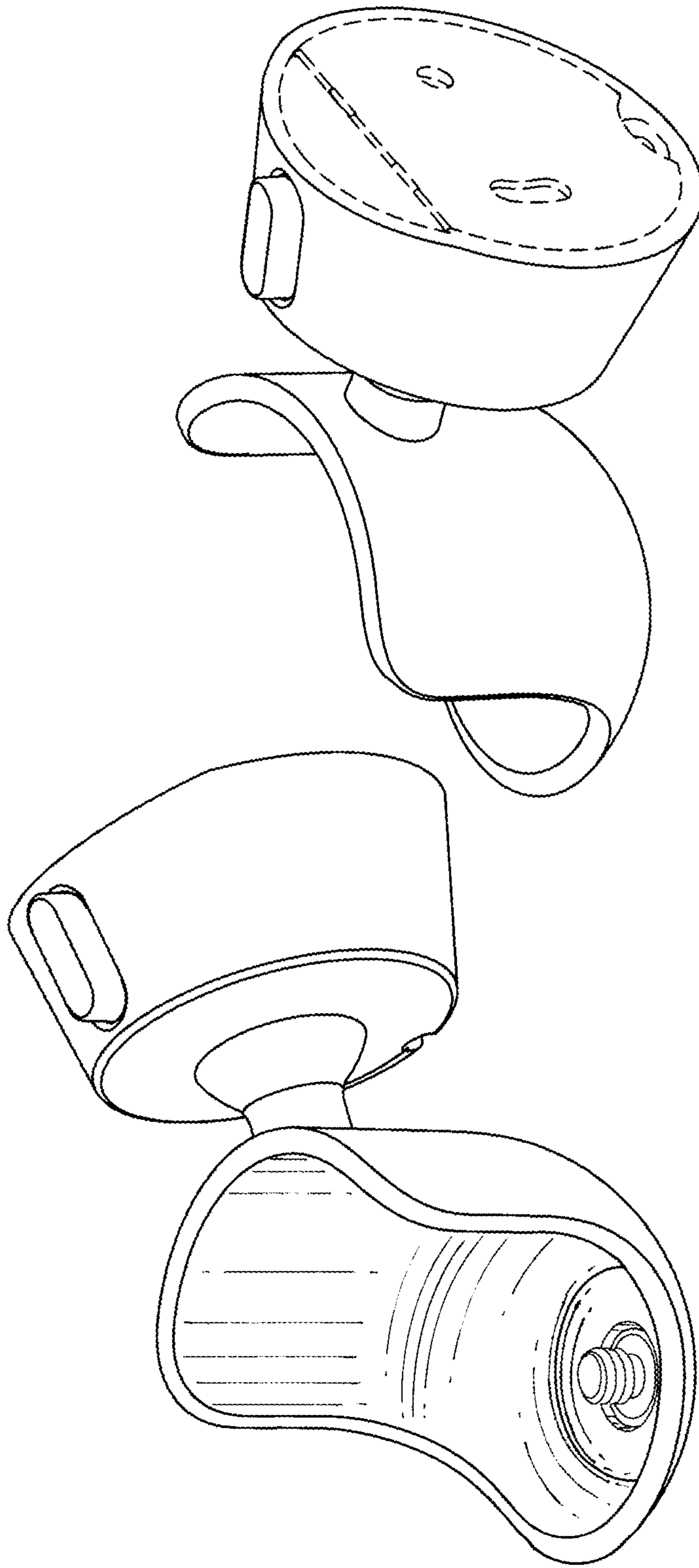


FIG. 3

FIG. 2

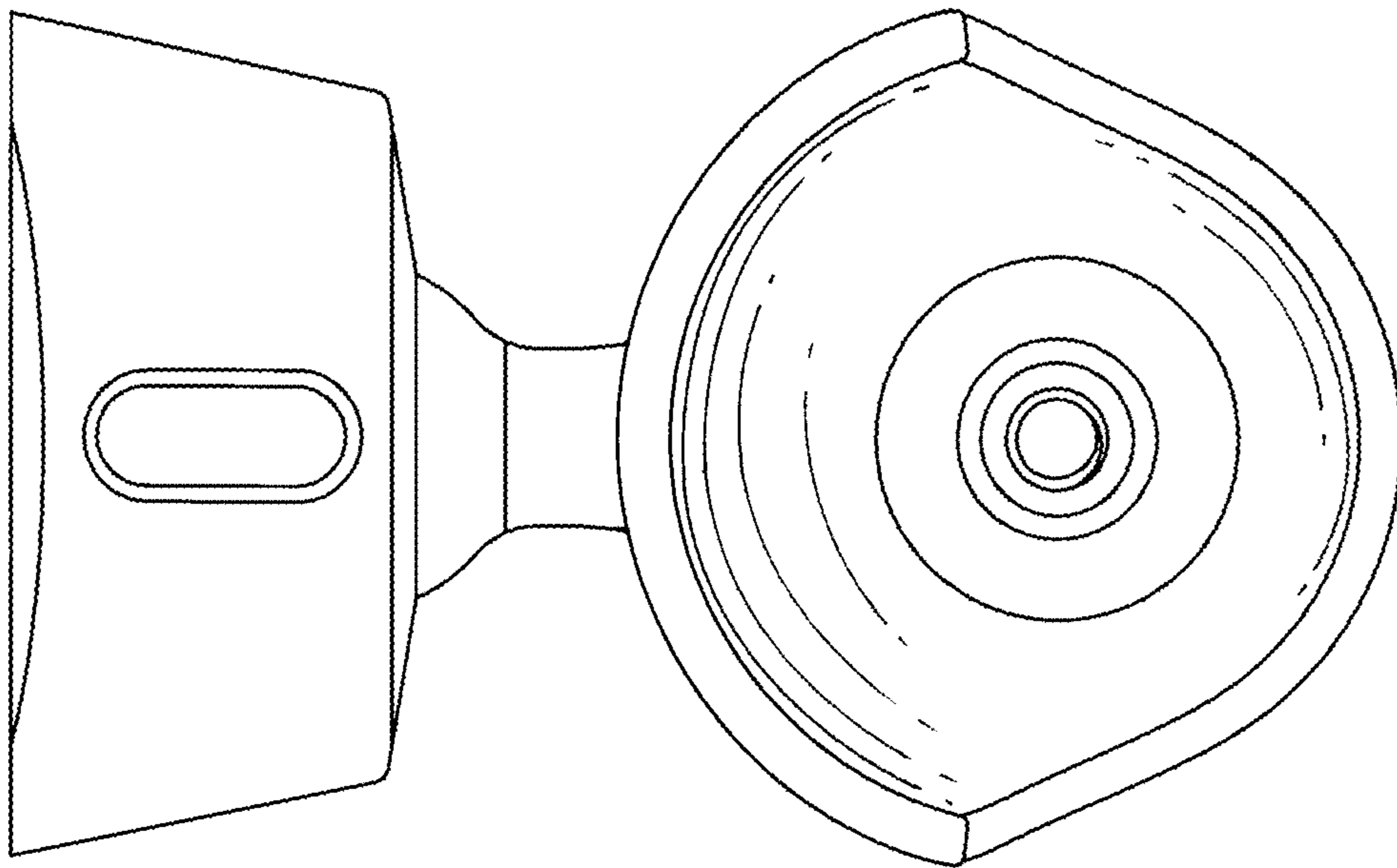


FIG. 4

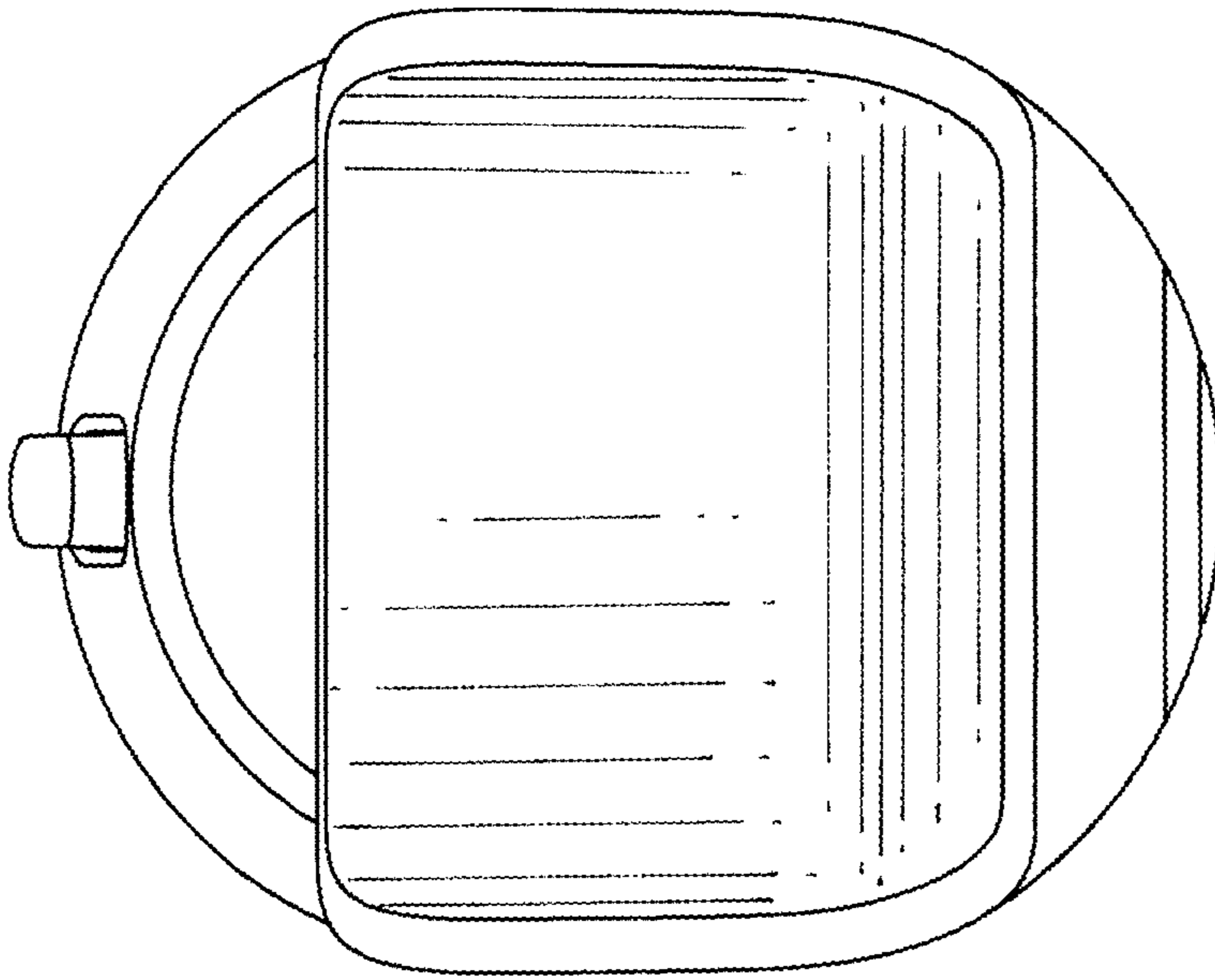


FIG. 5

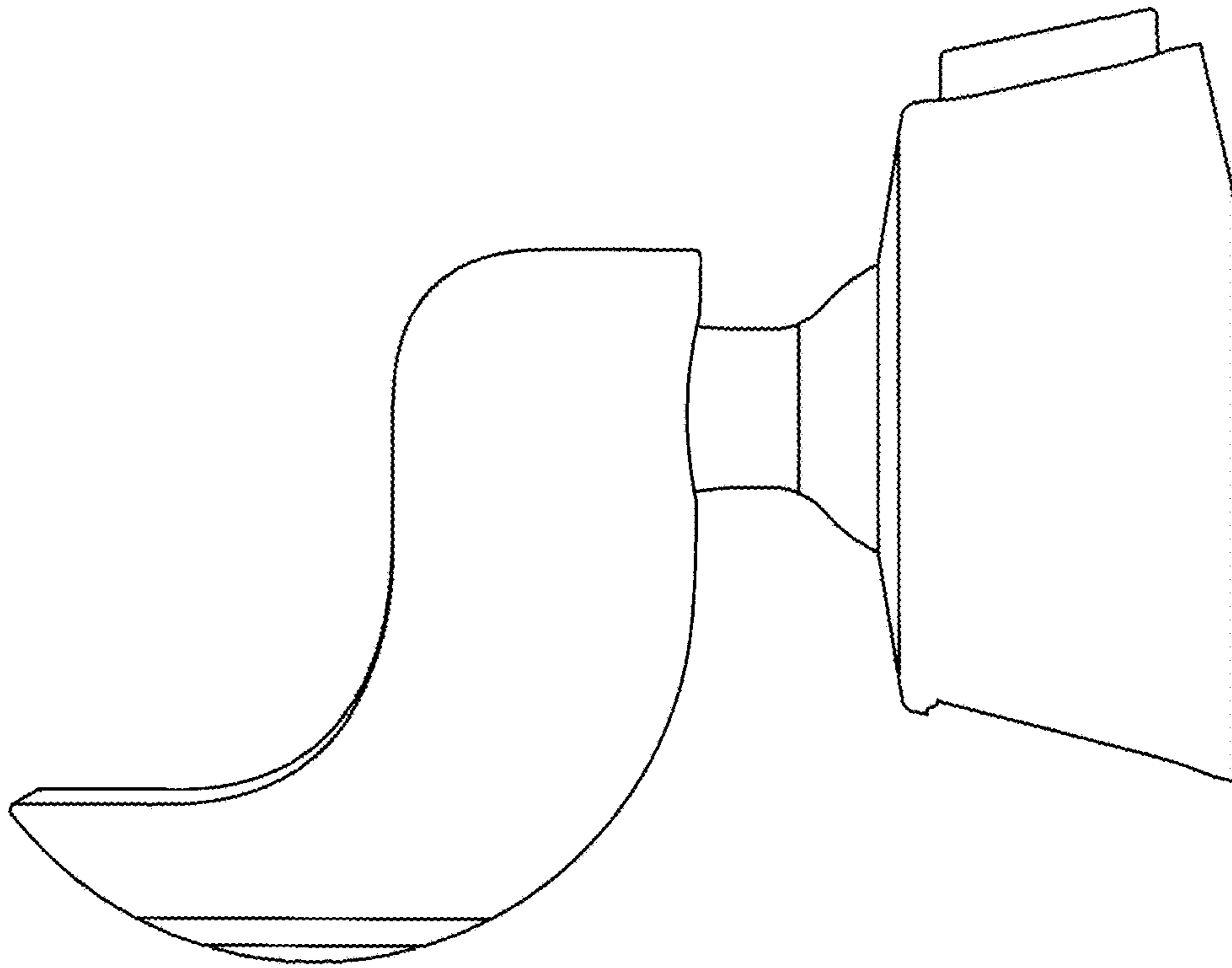


FIG. 6

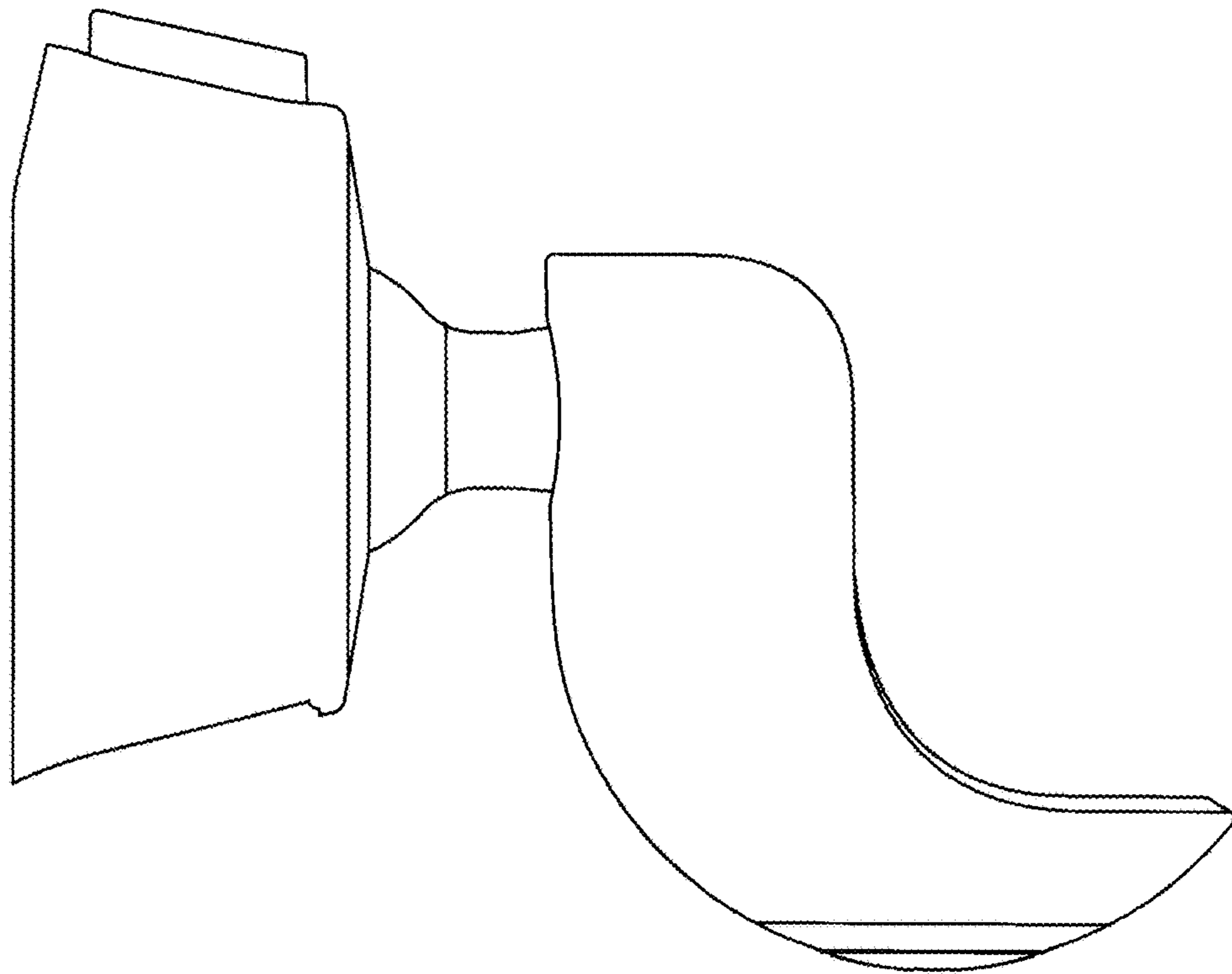


FIG. 7

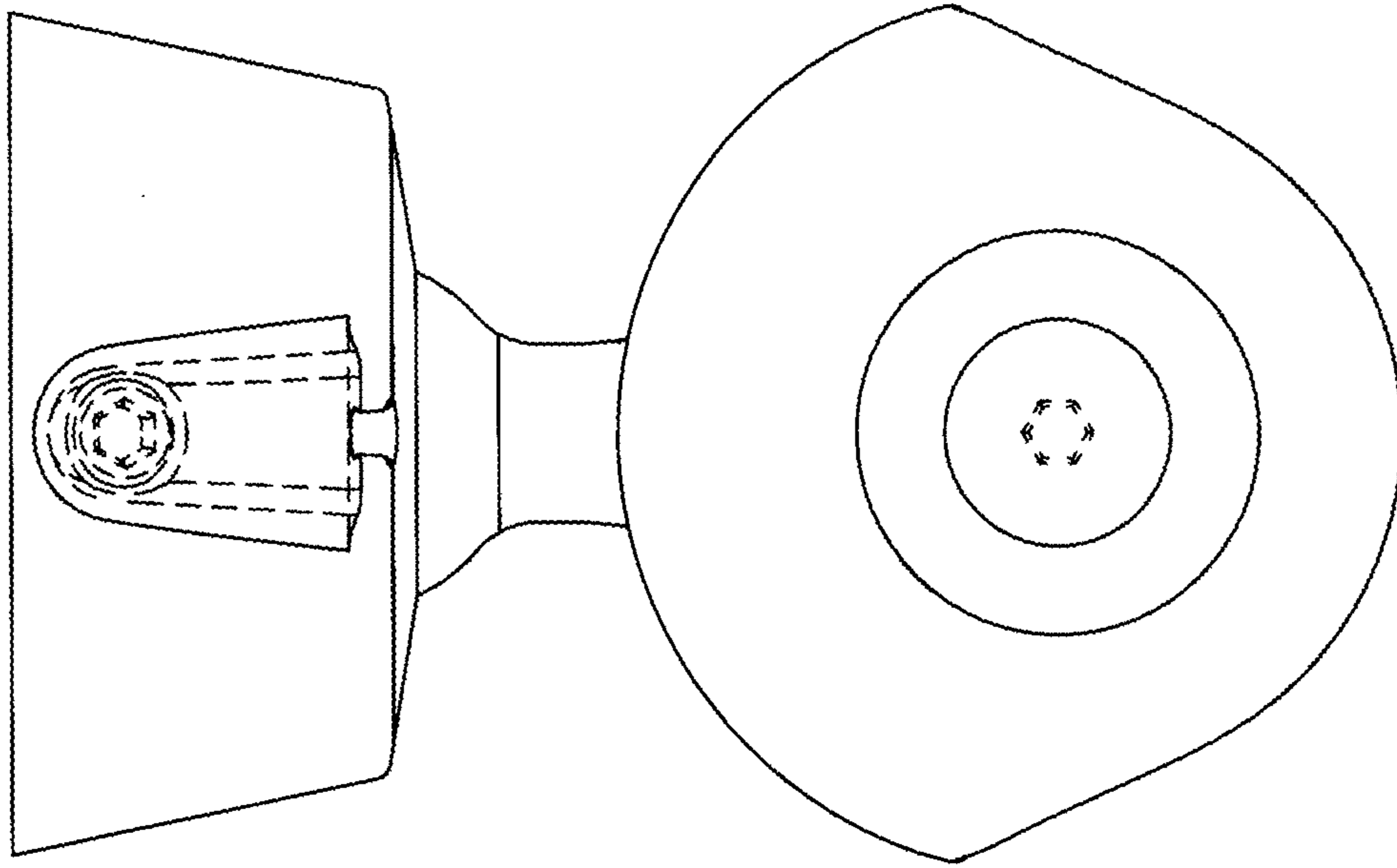


FIG. 9

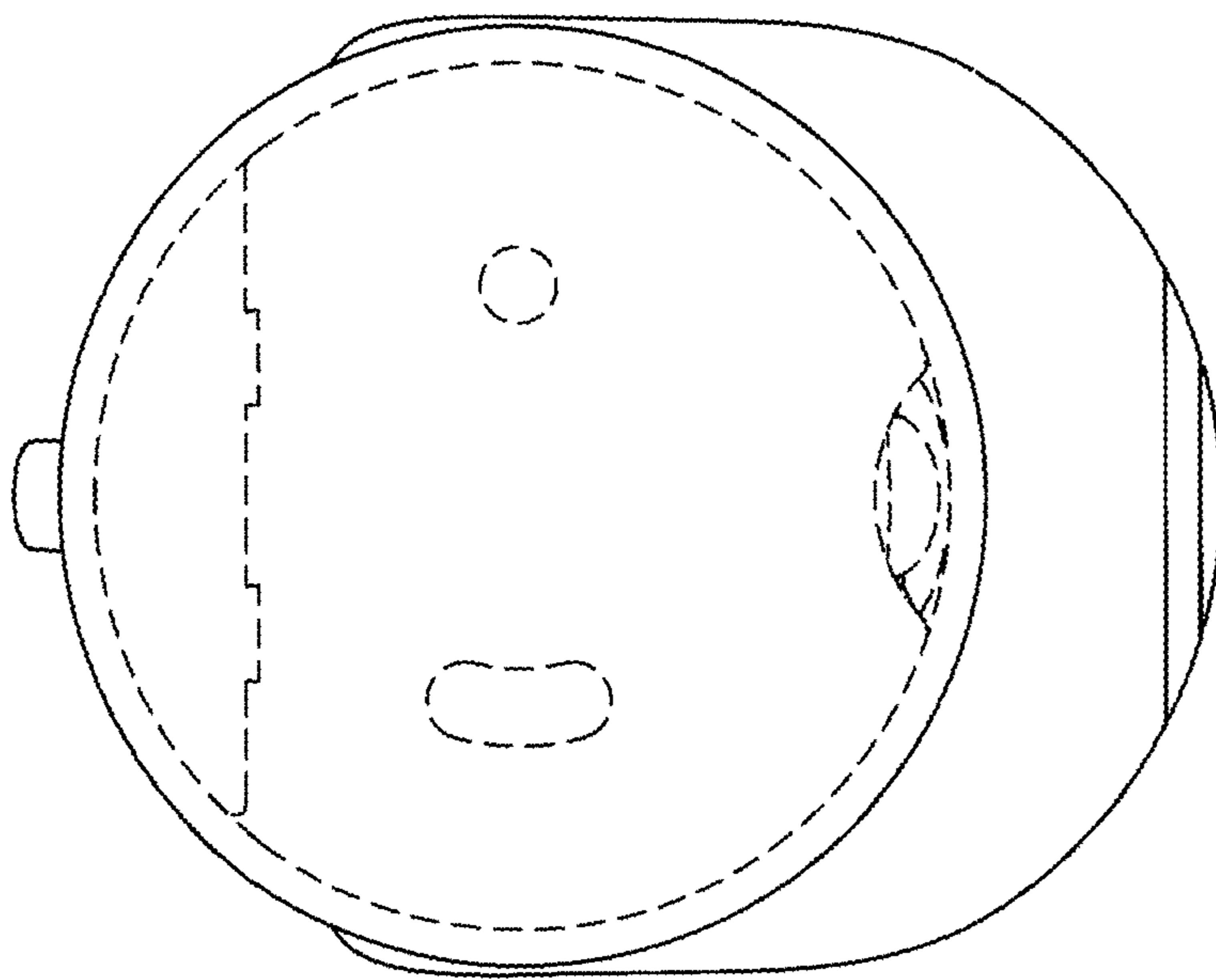


FIG. 8