



US00D888136S

(12) **United States Design Patent**
Handler

(10) **Patent No.:** **US D888,136 S**
(45) **Date of Patent:** **** Jun. 23, 2020**

(54) **LENS ADAPTER**

(71) Applicant: **Arnold & Richter Cine Technik GmbH & Co. Betriebs KG**, Munich (DE)

(72) Inventor: **Josef Handler**, Vienna (AT)

(73) Assignee: **Arnold & Richter Cine Technik GmbH & Co. Betriebs KG**, Munich (DE)

(**) Term: **15 Years**

(21) Appl. No.: **29/677,344**

(22) Filed: **Jan. 18, 2019**

(30) **Foreign Application Priority Data**

Nov. 29, 2018 (EM) 005839313

(51) **LOC (12) Cl.** **16-05**

(52) **U.S. Cl.**
USPC **D16/237**; D16/219

(58) **Field of Classification Search**
USPC D16/219, 237-250; D8/354, 355, 363, D8/373, 382-383, 394-396; D14/224, D14/229, 238, 251, 253, 356, 447, 451, D14/457

CPC A45F 5/00; A45F 5/10; A45F 2200/0508-0533; F16M 11/06-10; F16M 11/14; G02B 7/00-002; G03B 17/56; G03B 17/561-568; H04N 5/2253-2254
See application file for complete search history.

(56) **References Cited**

U.S. PATENT DOCUMENTS

1,214,250 A * 1/1917 Wollensak G03B 9/22 396/476
5,053,794 A * 10/1991 Benz G02B 7/00 359/819

8,970,974 B2 * 3/2015 Ho G03B 17/565 359/811
D745,079 S * 12/2015 Oh D16/136
D745,591 S * 12/2015 Oh D16/136
D750,152 S * 2/2016 Awazu D16/219
D788,205 S * 5/2017 Jankura D16/237
D819,435 S * 6/2018 Bancroft D8/396
D820,074 S * 6/2018 Huettmann D8/394
9,998,645 B2 * 6/2018 Iinuma G02B 21/26
D838,765 S * 1/2019 Tokiwa D16/219
D865,727 S * 11/2019 Wengreen D14/238.1
D868,137 S * 11/2019 Boerup D16/237

(Continued)

OTHER PUBLICATIONS

Lens Metadata. [online] Retrieved Jan. 6, 2020 from URL: <https://www.arri.com/en/learn-help/learn-help-camera-system/frequently-asked-questions/alexa-lf-faq#accordion-78680>.*

(Continued)

Primary Examiner — Vy N Koenig

(74) *Attorney, Agent, or Firm* — Dinsmore & Shohl LLP; Cesare Scalfani

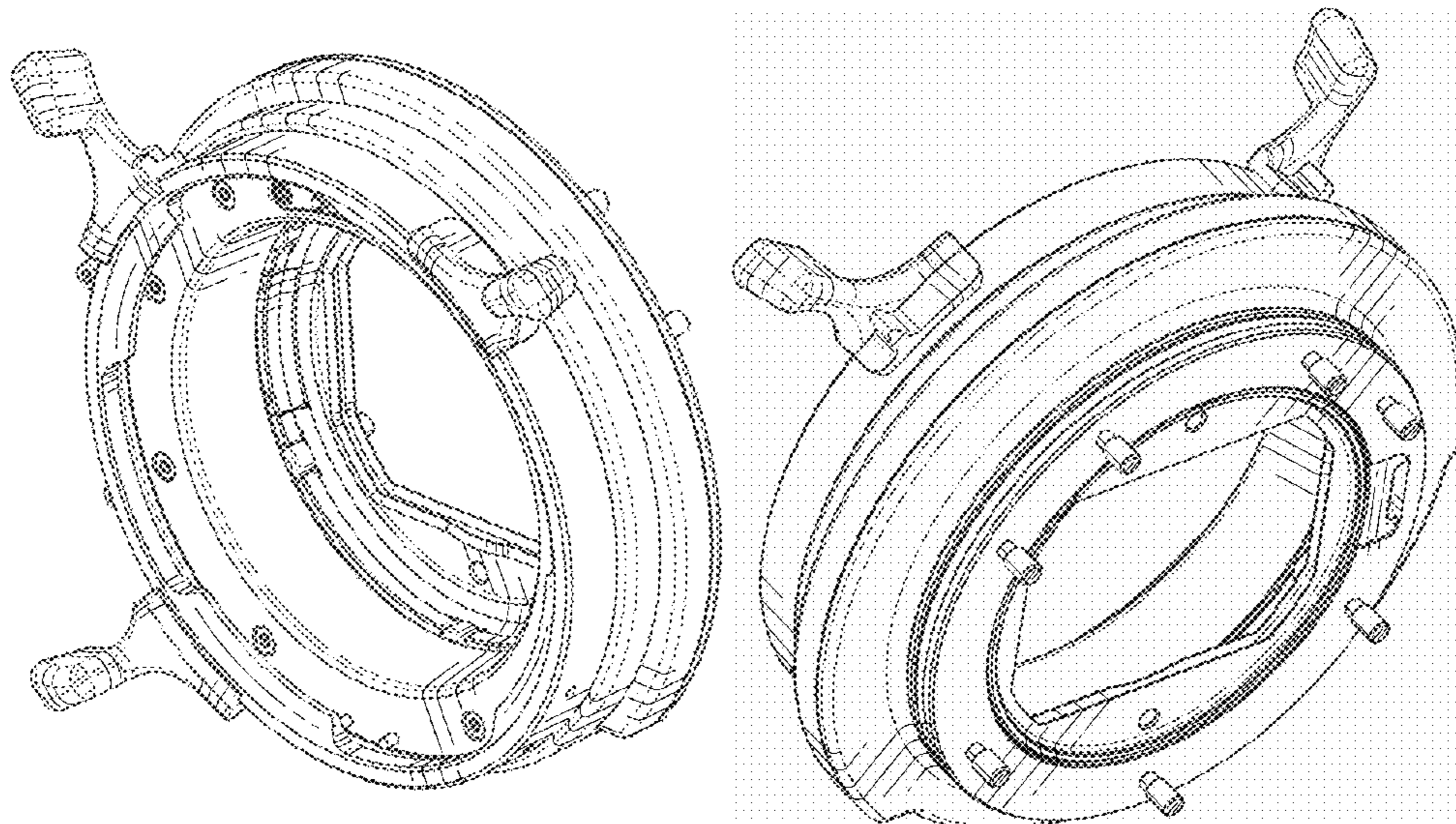
(57) **CLAIM**

The ornamental design for a lens adapter, as shown and described.

DESCRIPTION

FIG. 1 is a top front left side perspective view of a lens adapter showing my new design; FIG. 2 is a front view of the lens adapter of FIG. 1; FIG. 3 is a left side view of the lens adapter of FIG. 1; FIG. 4 is a right side view of the lens adapter of FIG. 1; FIG. 5 is a top view of the lens adapter of FIG. 1; FIG. 6 is a bottom view of the lens adapter of FIG. 1; FIG. 7 is a rear view of the lens adapter of FIG. 1; and, FIG. 8 is a top rear left side perspective view of the lens adapter of FIG. 1.

1 Claim, 8 Drawing Sheets



(56)

References Cited

U.S. PATENT DOCUMENTS

2014/0211318 A1* 7/2014 Uno G02B 27/0018
359/611
2018/0039165 A1* 2/2018 Ho G03B 17/566

OTHER PUBLICATIONS

ARRI PL LDS Lens Mount. [online] Published Jan. 4, 2016.
Retrieved Jan. 6, 2020 from URL: https://www.abelcine.com/buy/lenses-accessories/lens-mount-adapters/arri-pl-lds-lens-mount.*

* cited by examiner

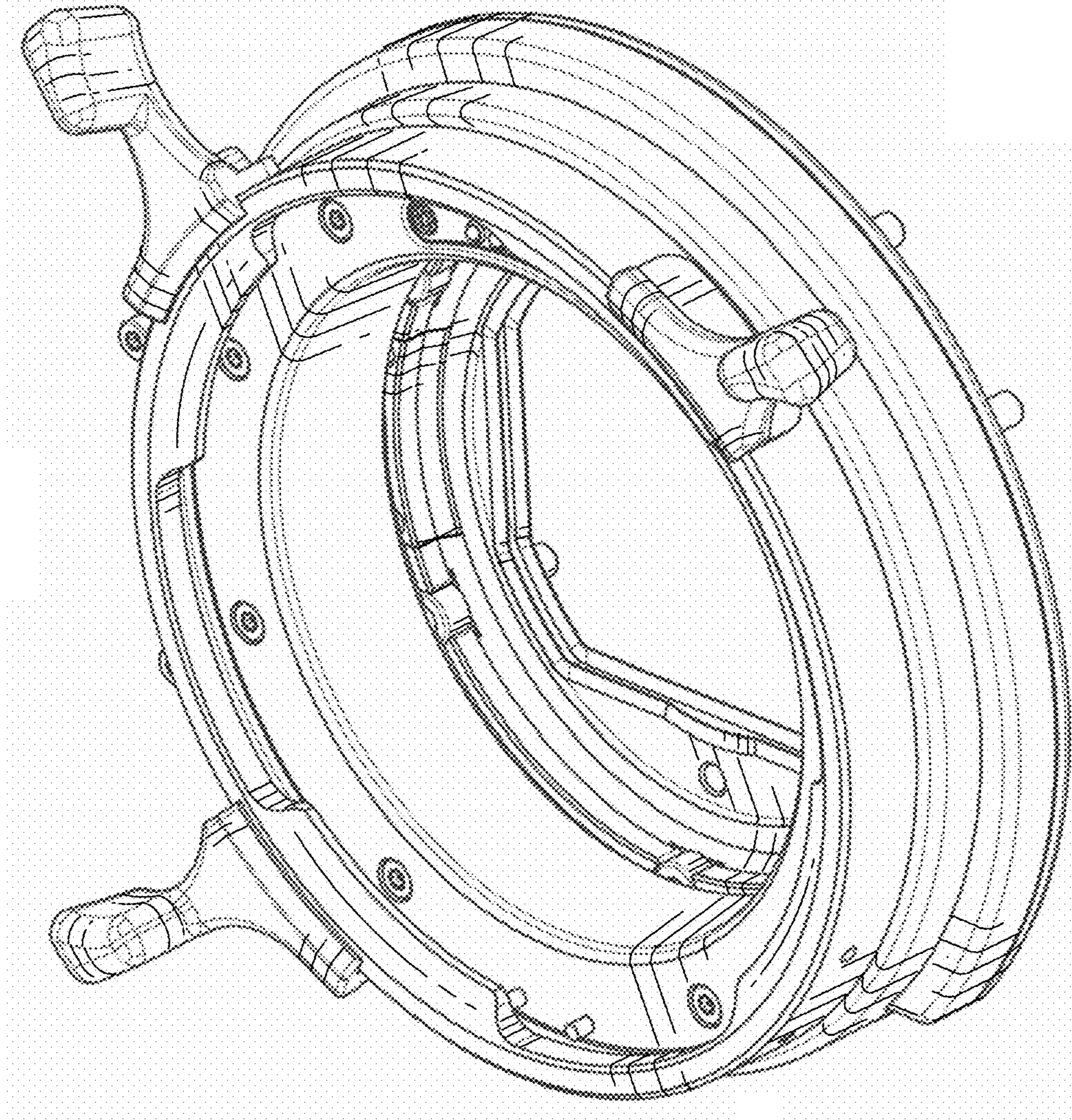


Fig-1

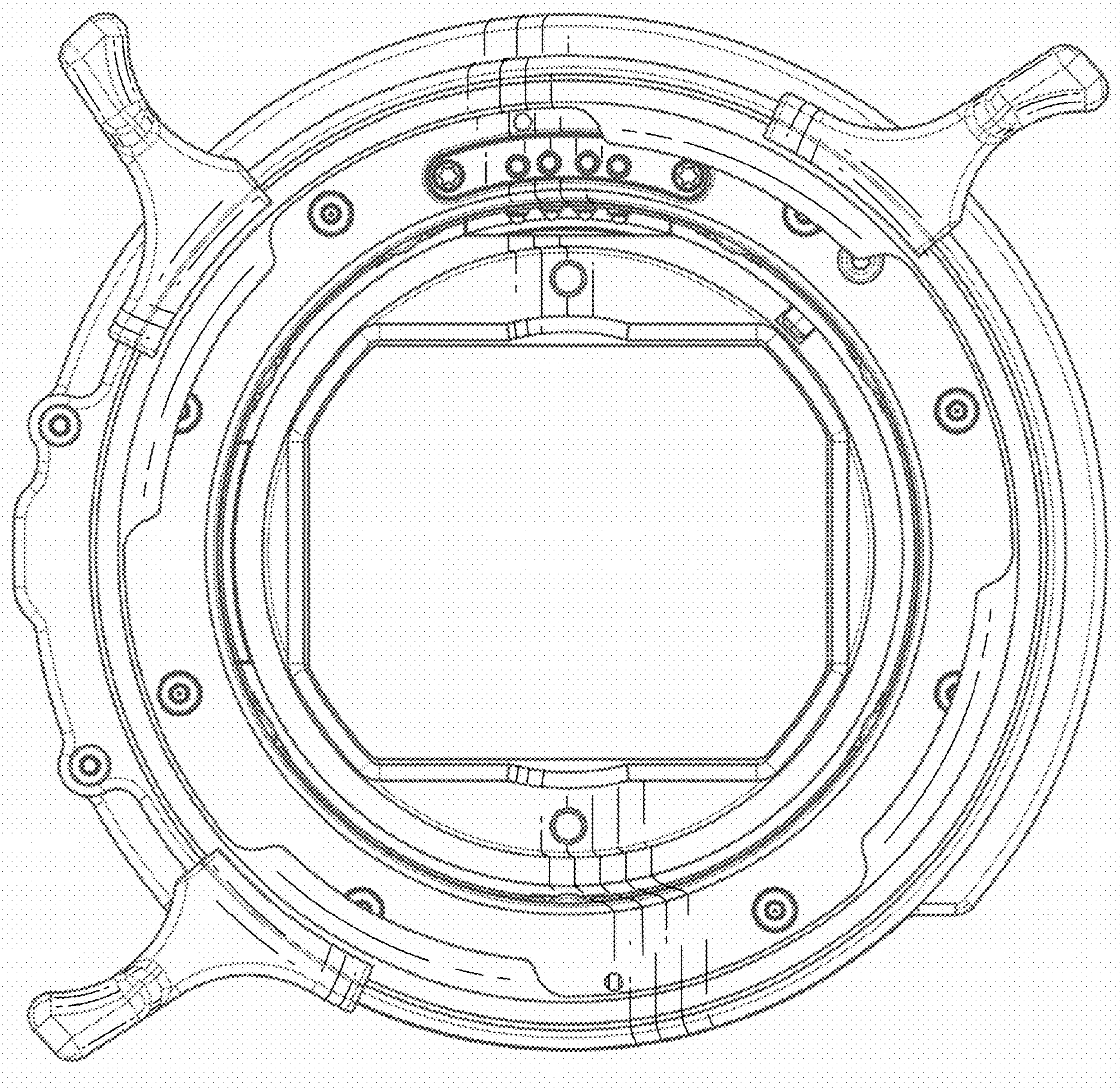


Fig-2

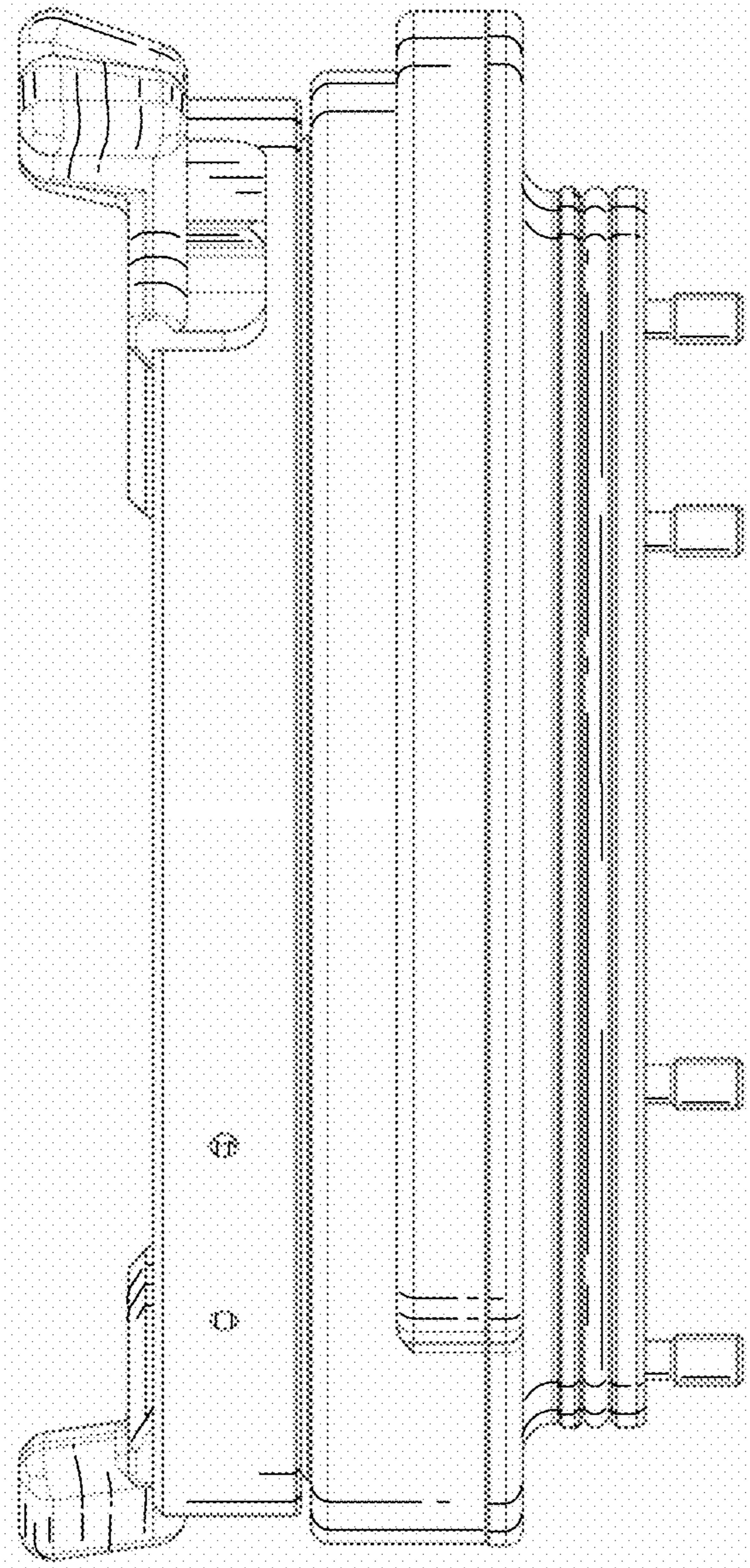


Fig-3

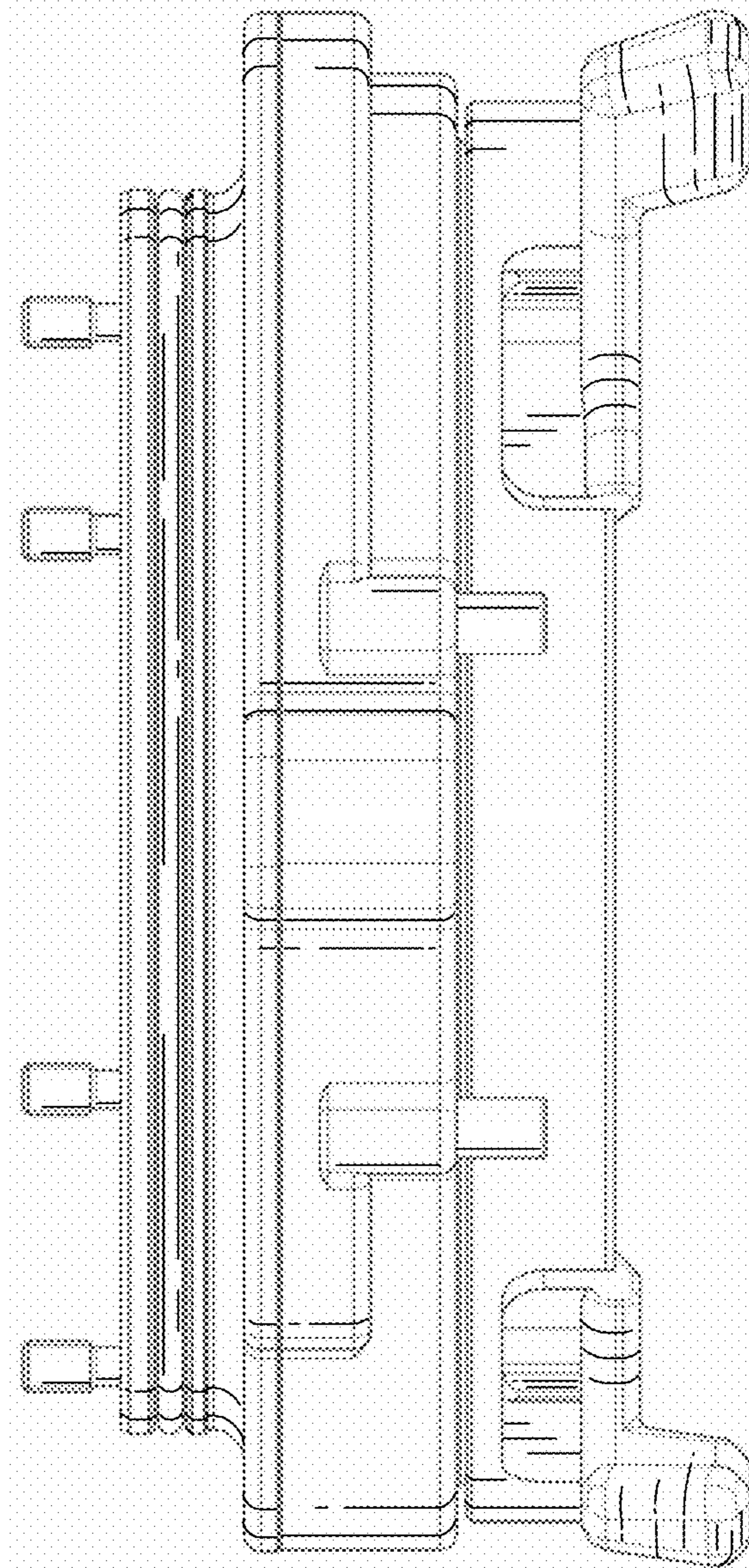


Fig-4

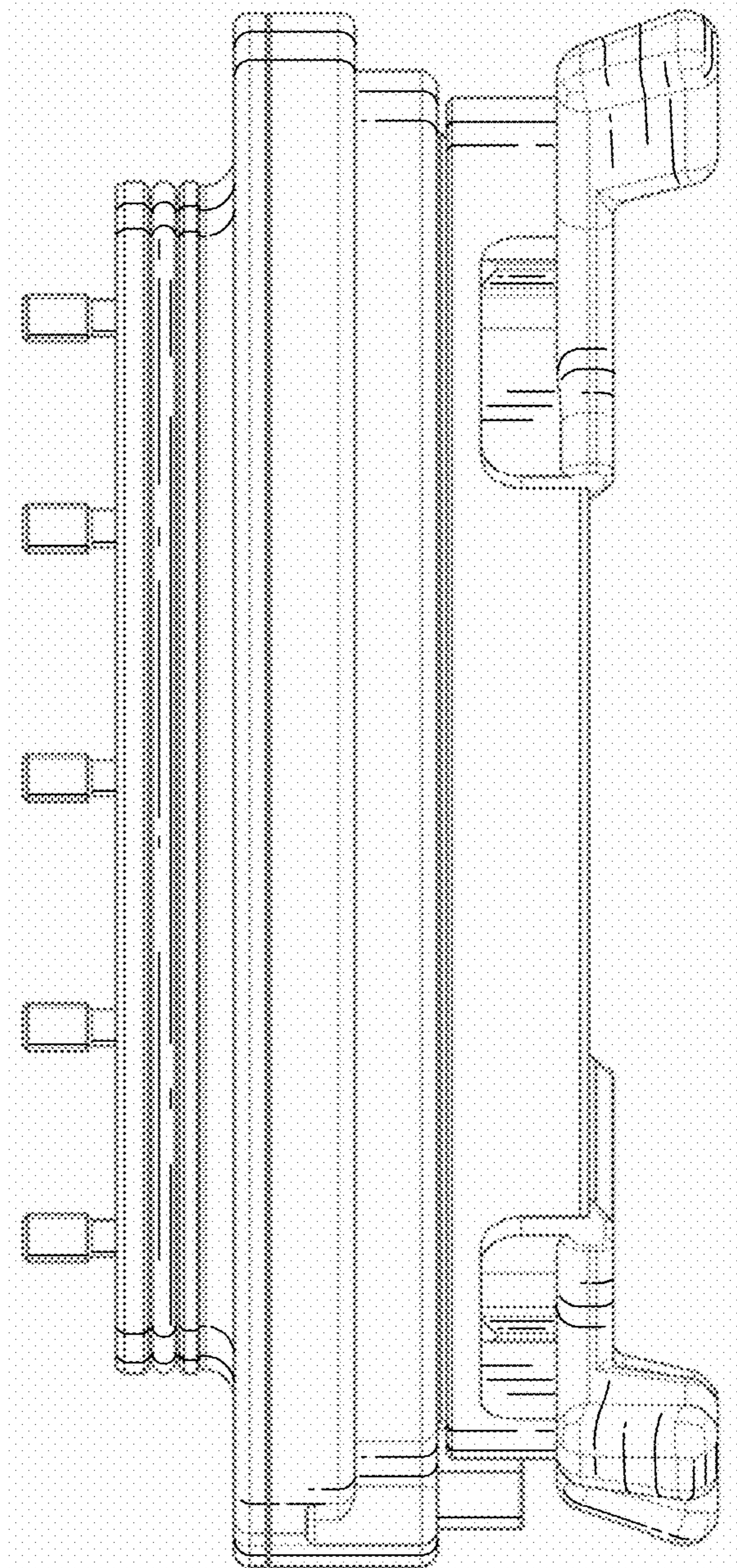


Fig-5

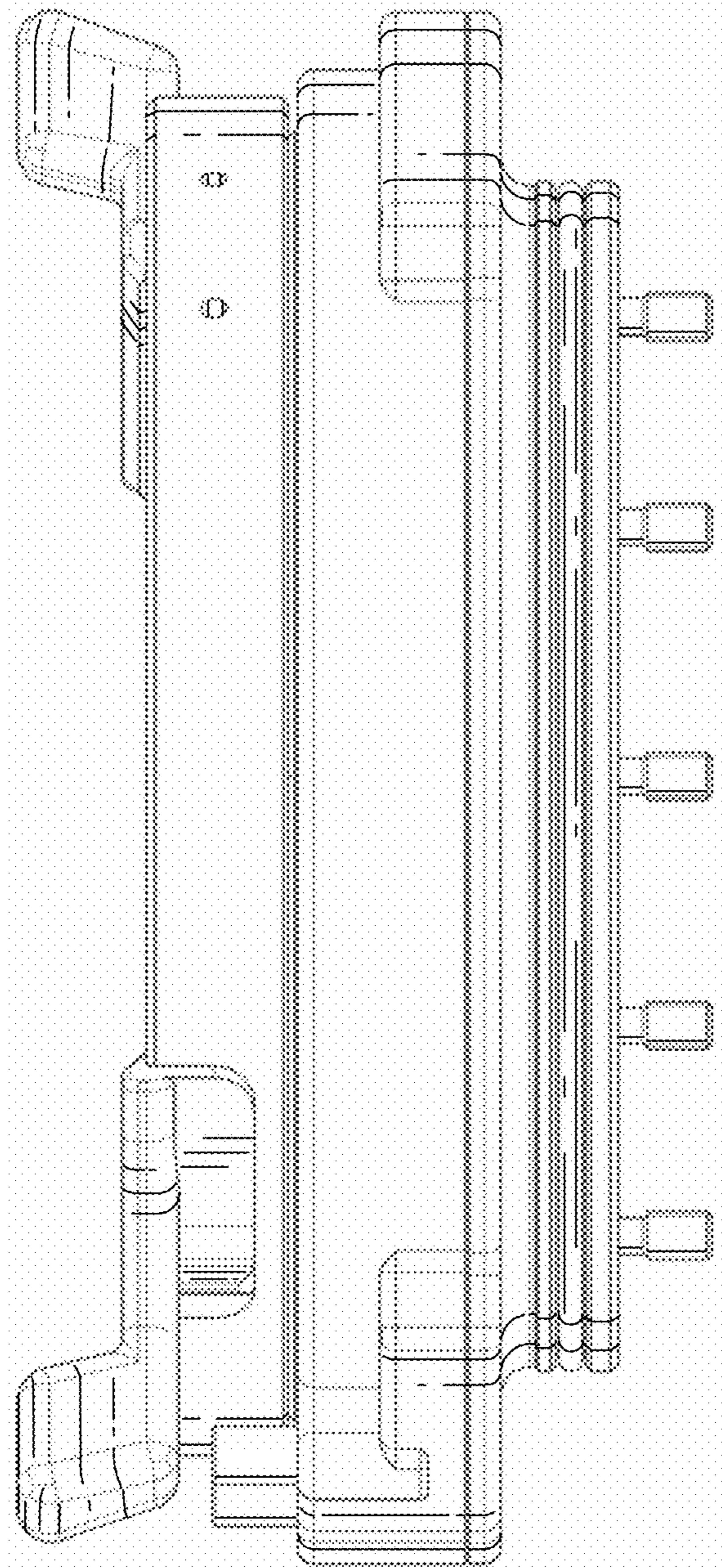


Fig-6

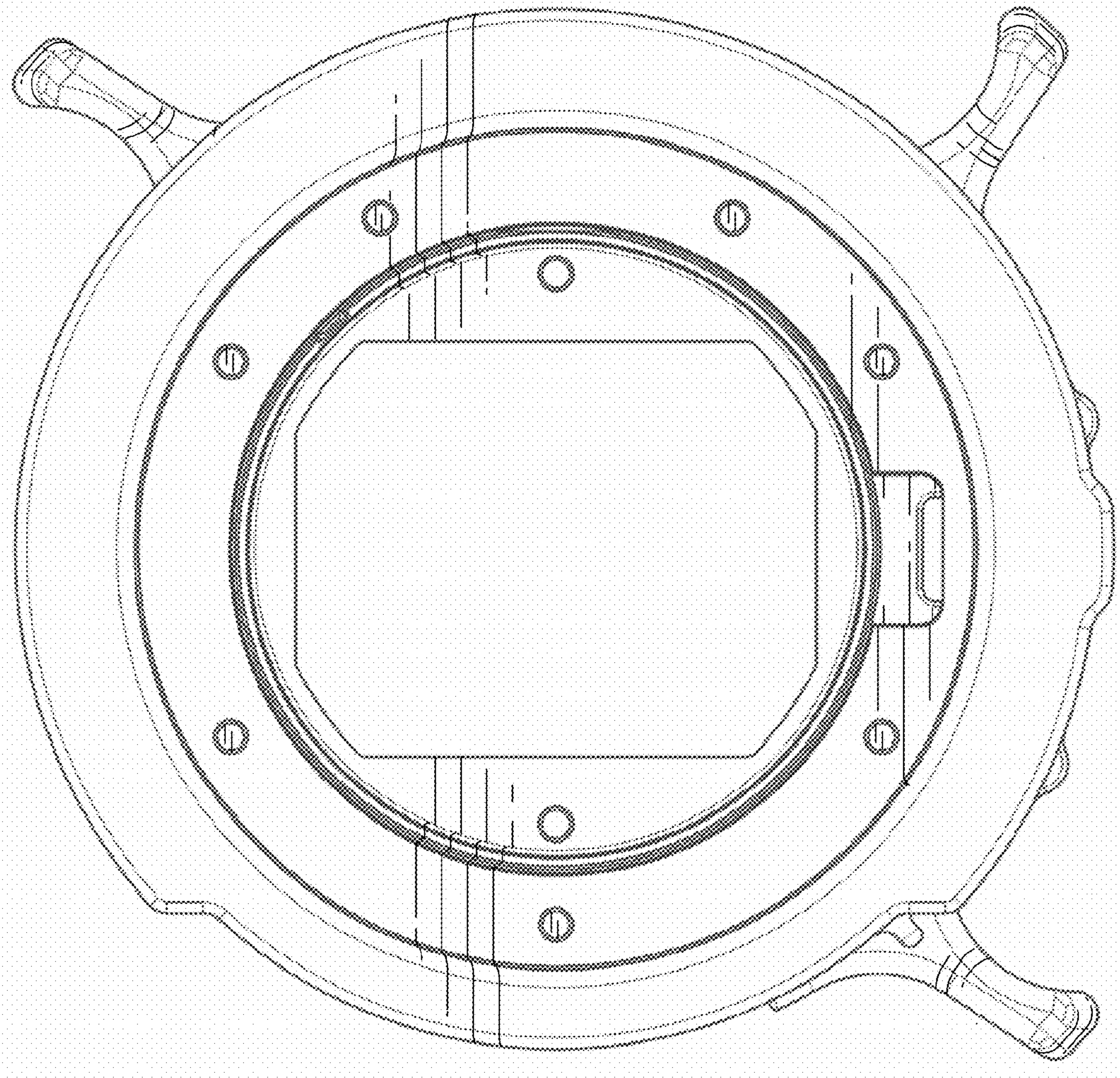


Fig-7

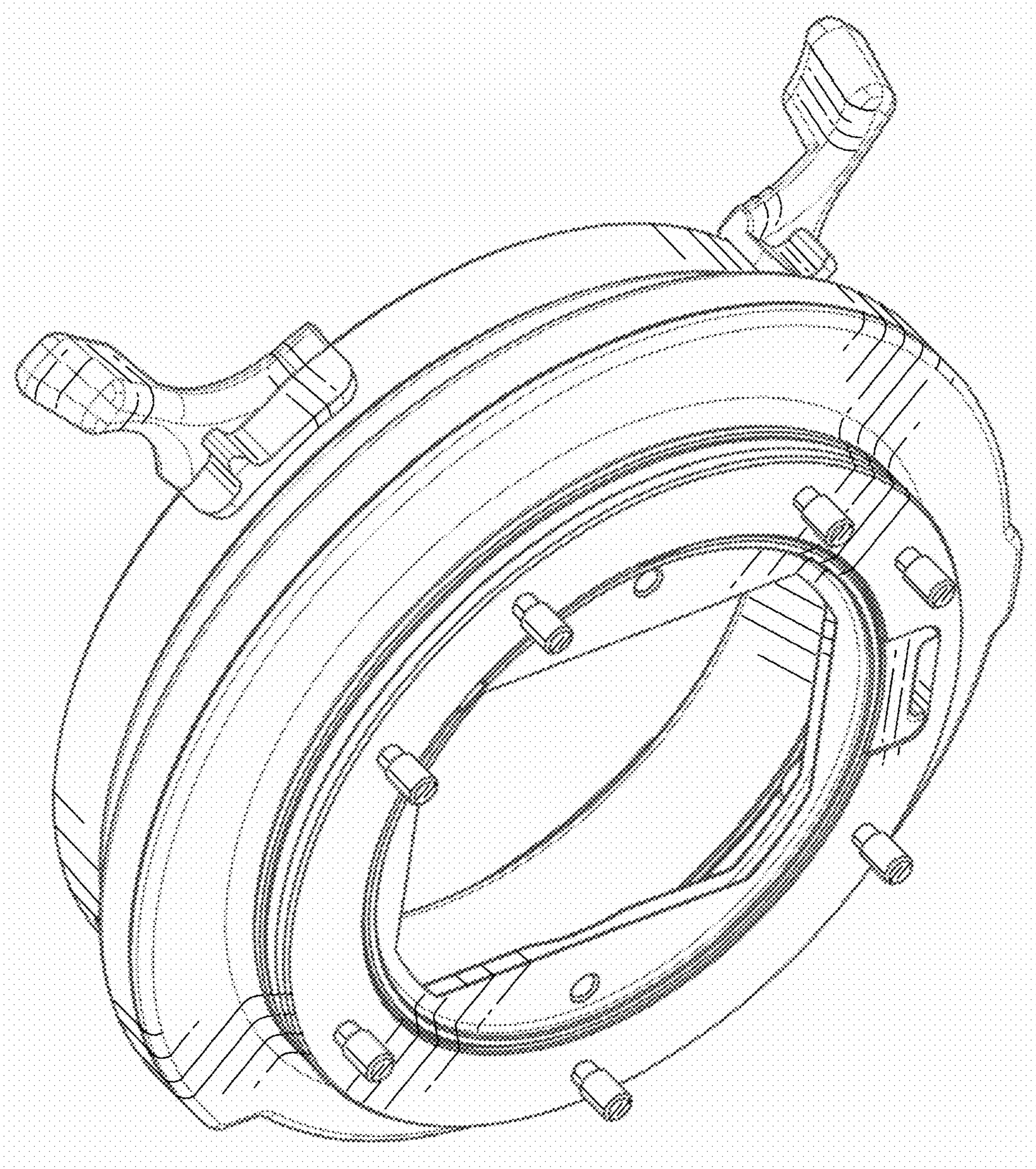


Fig-8