



US00D888135S

(12) **United States Design Patent** (10) **Patent No.:** **US D888,135 S**
Tanaka et al. (45) **Date of Patent:** **** Jun. 23, 2020**

(54) **PROJECTOR**
 (71) Applicant: **FUJIFILM Corporation**, Tokyo (JP)
 (72) Inventors: **Kunihiko Tanaka**, Saitama (JP); **Koji Yoshida**, Saitama (JP)
 (73) Assignee: **FUJIFILM Corporation**, Tokyo (JP)
 (**) Term: **15 Years**

7,670,012 B2 * 3/2010 Solomon G03B 21/30
 353/119
 D877,795 S * 3/2020 Tanaka D16/235
 D877,796 S * 3/2020 Tanaka D16/235
 2007/0195294 A1 * 8/2007 Willey G03B 21/26
 353/119

FOREIGN PATENT DOCUMENTS

JP 1613726 S 11/2018
 JP 1618899 S 11/2018

OTHER PUBLICATIONS

An Office Action; "Notification," issued by the Japanese Patent Office dated Jun. 3, 2019, which corresponds to Japanese Design Application No. 2018-015548 and is related to Design U.S. Appl. No. 29/675,816; with English language translation.

* cited by examiner

Primary Examiner — Wan Laymon
 (74) *Attorney, Agent, or Firm* — Studebaker & Brackett PC

(21) Appl. No.: **29/675,816**
 (22) Filed: **Jan. 4, 2019**
 (30) **Foreign Application Priority Data**
 Jul. 13, 2018 (JP) 2018-015548
 (51) **LOC (12) Cl.** **16-02**
 (52) **U.S. Cl.**
 USPC **D16/235**
 (58) **Field of Classification Search**
 USPC D16/235, 221, 225, 229–231, 203, 208;
 353/119, 122
 CPC G03B 21/00; G03B 21/001; G03B 21/003;
 G03B 21/12; G03B 21/14; G03B 21/145;
 G03B 21/16
 See application file for complete search history.

(57) **CLAIM**

The ornamental design for a projector, as shown and described.

DESCRIPTION

FIG. 1 is a top left perspective view of a projector showing our new design;
 FIG. 2 is a front view thereof;
 FIG. 3 is a rear view thereof;
 FIG. 4 is a top plan view thereof;
 FIG. 5 is a bottom plan view thereof;
 FIG. 6 is a right side view thereof; and,
 FIG. 7 is a left side view thereof.
 The broken lines illustrate portions of the projector and form no part of the claimed design.

(56) **References Cited**
 U.S. PATENT DOCUMENTS
 D212,309 S * 9/1968 Ralke D16/235
 D352,304 S * 11/1994 Zavracky D16/235
 D353,390 S * 12/1994 Zavracky D16/235
 5,713,652 A * 2/1998 Zavracky A61B 3/113
 353/119
 6,464,358 B1 * 10/2002 Shirakura G03B 21/00
 353/119
 6,604,831 B1 * 8/2003 Prestigomo G03B 23/00
 248/188.2
 D569,408 S * 5/2008 Solomon D16/229

1 Claim, 6 Drawing Sheets

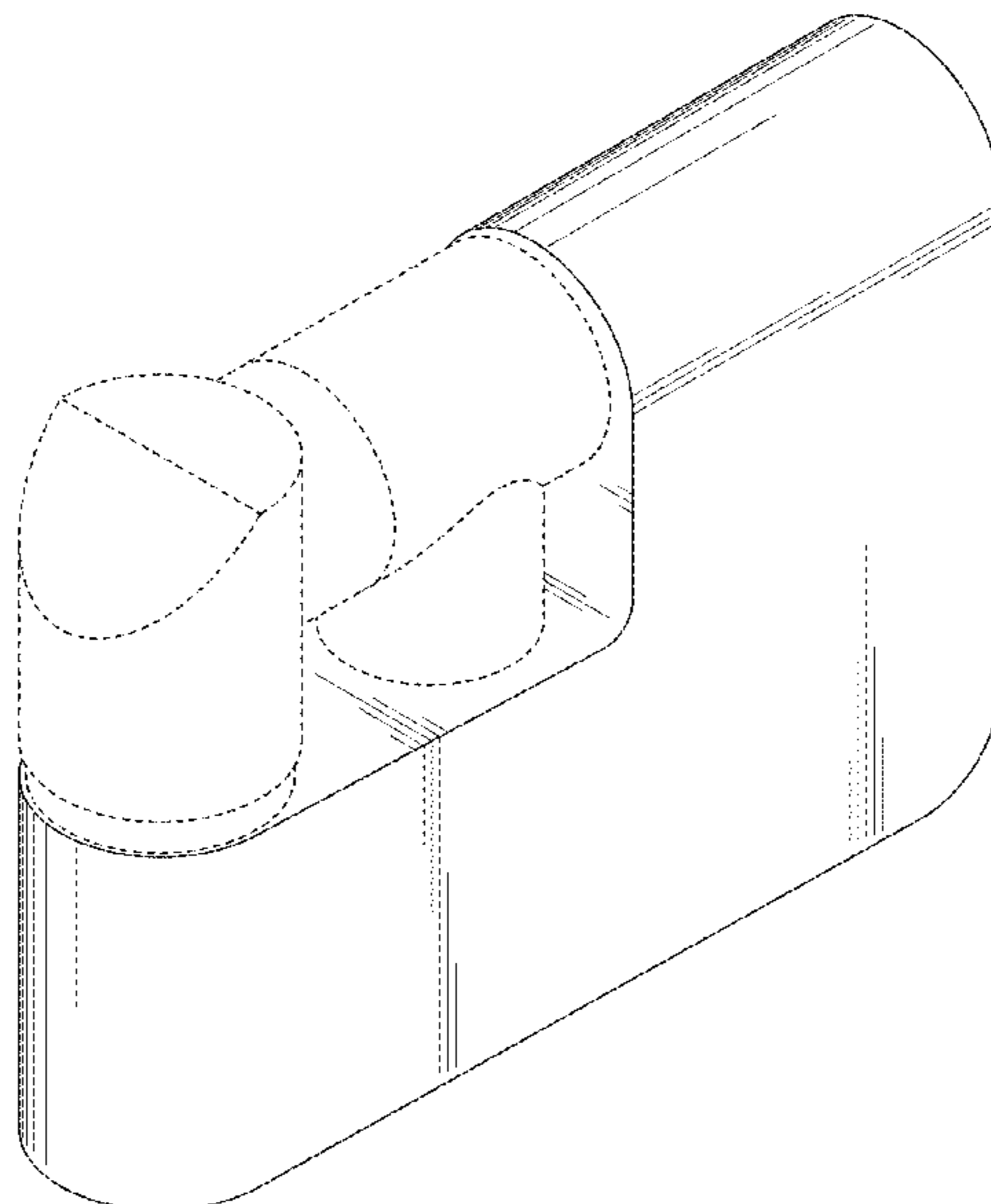


FIG. 1

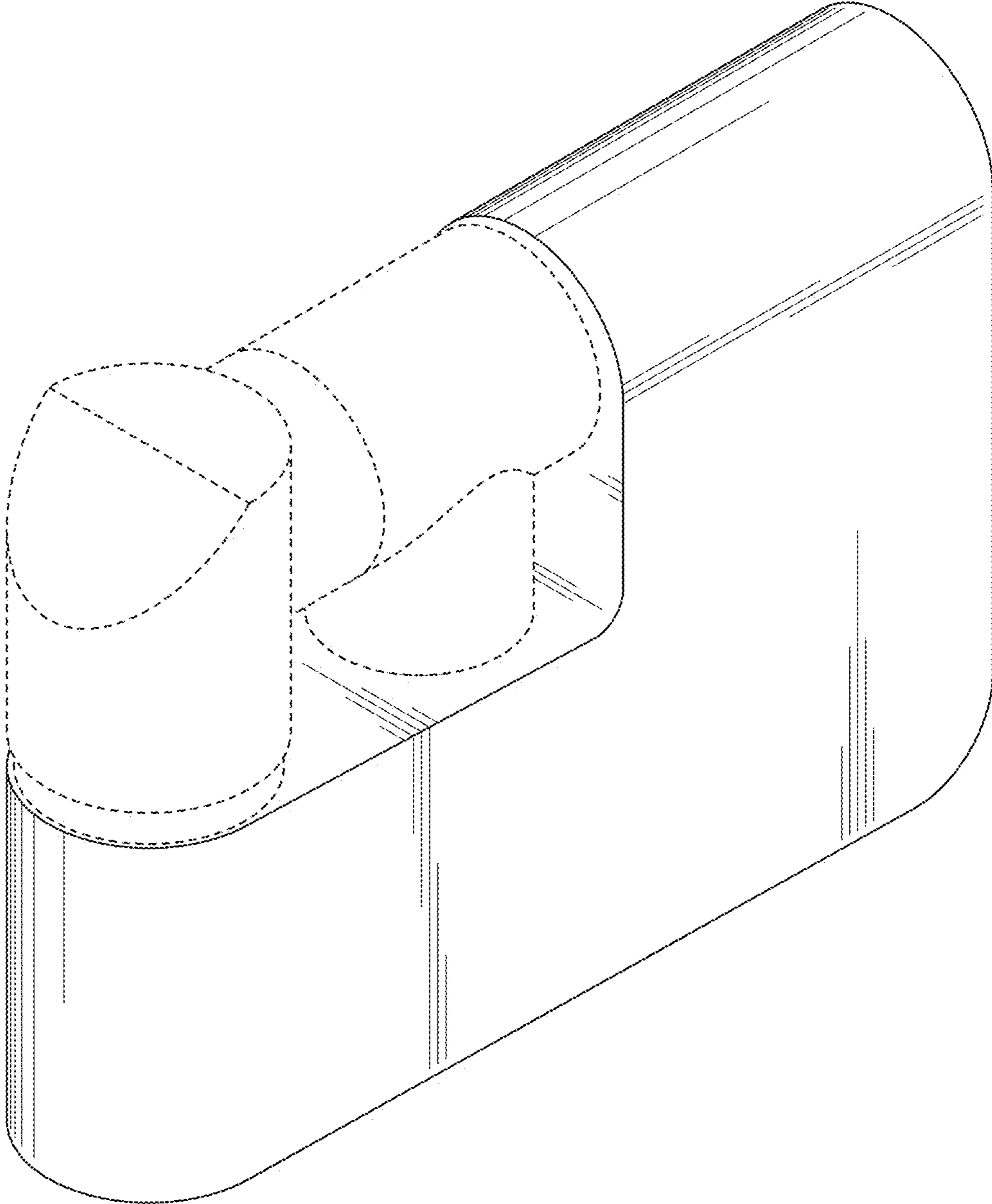


FIG. 2

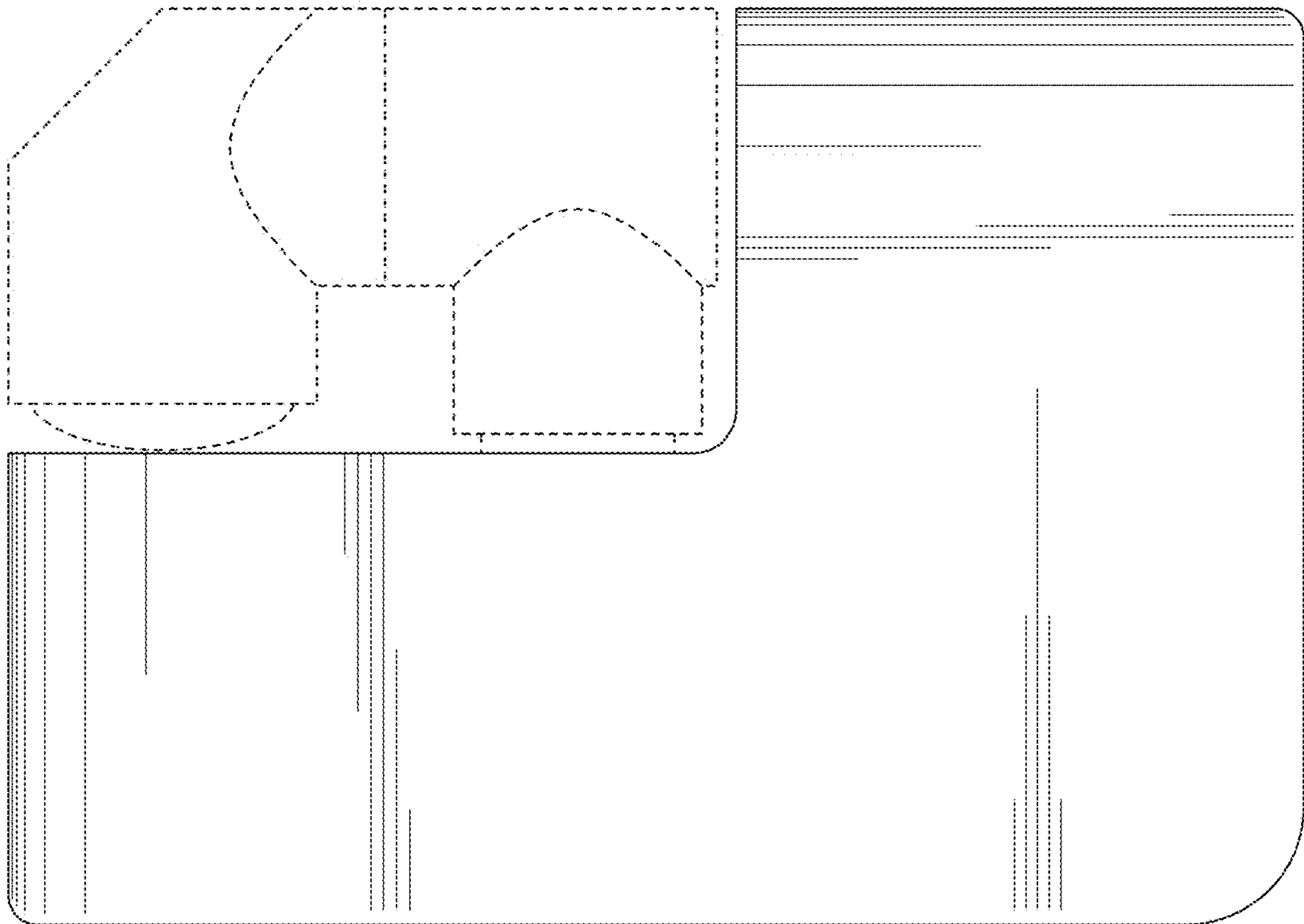


FIG. 3

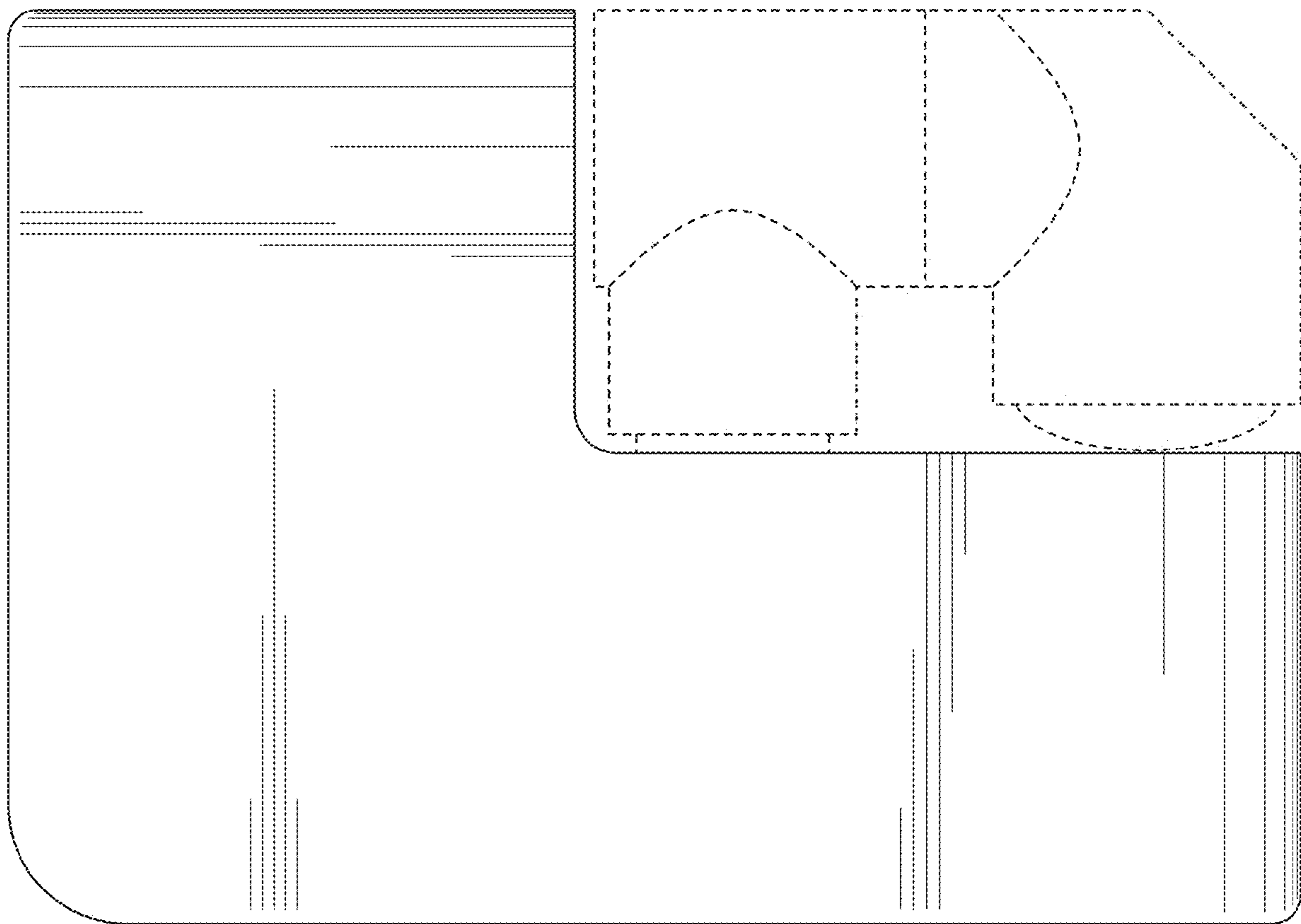


FIG. 4

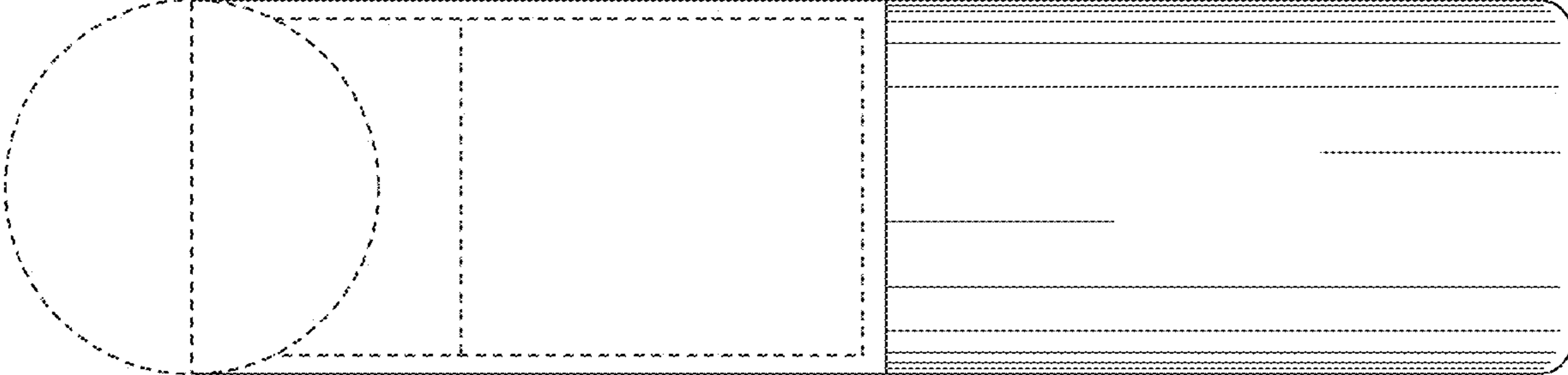


FIG. 5

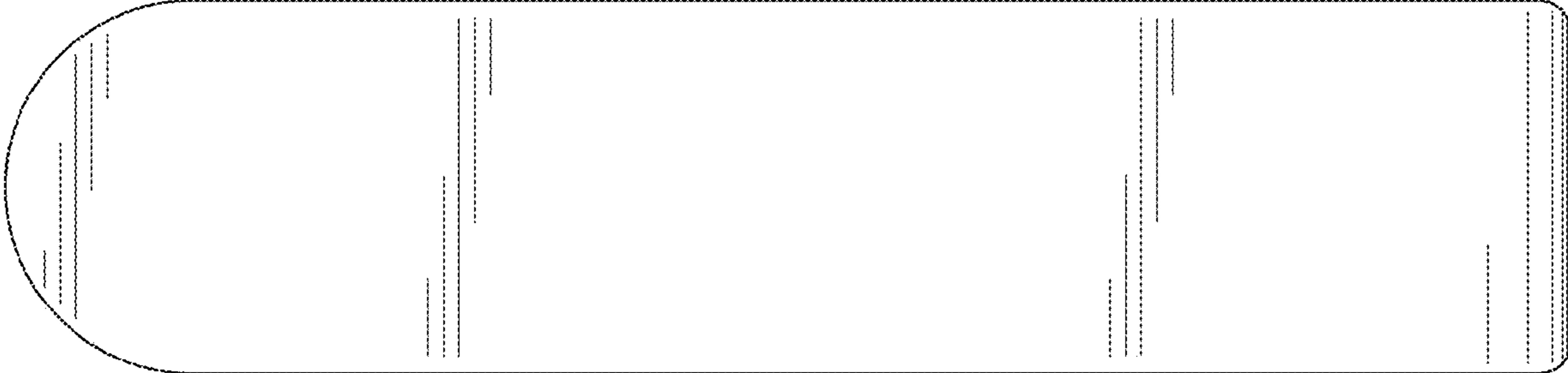


FIG. 6

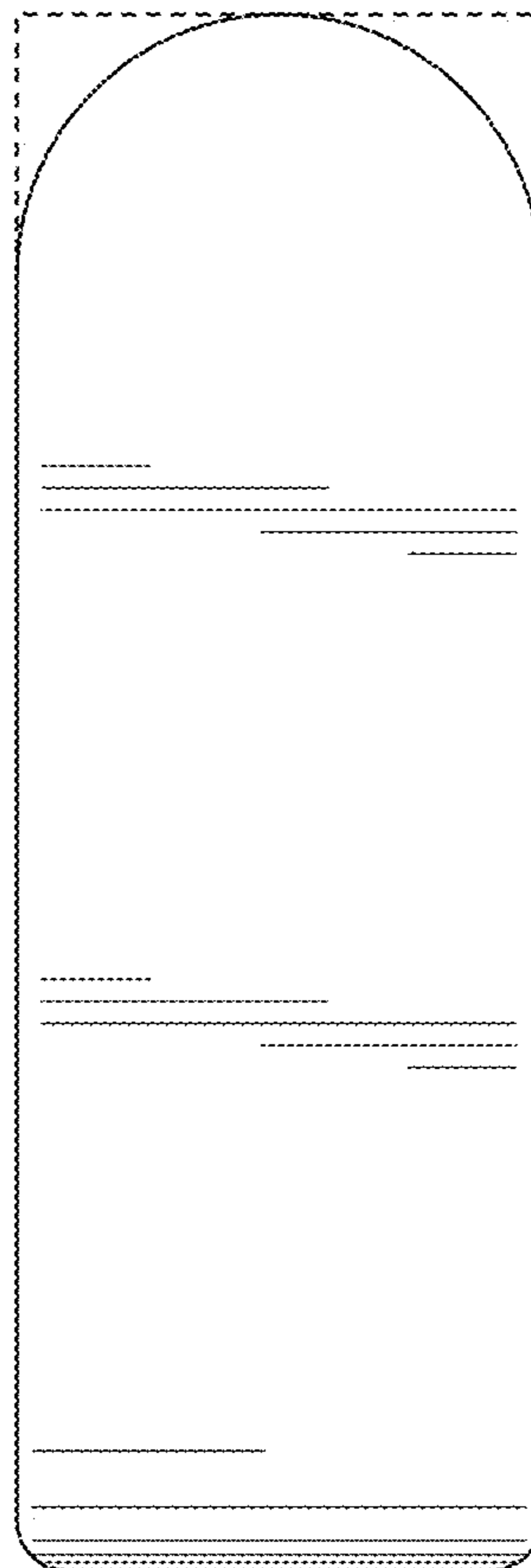


FIG. 7

