



US00D888134S

(12) **United States Design Patent** (10) **Patent No.:** **US D888,134 S**
Tanaka et al. (45) **Date of Patent:** **** Jun. 23, 2020**

(54) **PROJECTOR**
(71) Applicant: **FUJIFILM Corporation**, Tokyo (JP)
(72) Inventors: **Kunihiko Tanaka**, Saitama (JP); **Koji Yoshida**, Saitama (JP)
(73) Assignee: **FUJIFILM Corporation**, Tokyo (JP)
(**) Term: **15 Years**
(21) Appl. No.: **29/674,632**
(22) Filed: **Dec. 21, 2018**

(30) **Foreign Application Priority Data**
Jul. 13, 2018 (JP) 2018-015523
(51) **LOC (12) Cl.** **16-02**
(52) **U.S. Cl.**
USPC **D16/235**
(58) **Field of Classification Search**
USPC D16/235, 221, 225, 229-231, 203, 208;
353/119, 122; D9/738, 781; D6/677,
D6/707.2
CPC G03B 21/00; G03B 21/001; G03B 21/003;
G03B 21/12; G03B 21/14; G03B 21/145;
G03B 21/16
See application file for complete search history.

(56) **References Cited**
U.S. PATENT DOCUMENTS
D212,309 S * 9/1968 Ralke D16/235
D300,535 S * 4/1989 Sable D16/221
5,284,659 A * 2/1994 Cherukuri A23G 3/36
424/441
D428,668 S * 7/2000 Binstock D28/8.1
6,464,358 B1 * 10/2002 Shirakura G03B 21/00
353/119
6,604,831 B1 * 8/2003 Prestigomo G03B 23/00
353/119

D569,408 S * 5/2008 Solomon D16/229
7,670,012 B2 * 3/2010 Solomon G03B 21/30
353/119
D877,795 S * 3/2020 Tanaka D16/235
2007/0195294 A1 * 8/2007 Willey G03B 21/145
353/119

FOREIGN PATENT DOCUMENTS

JP 1402294 S 11/2010

OTHER PUBLICATIONS

U.S. Patent Trademark Publication, (May 29, 2018), No. D819114, (Japan Patent Office, Design Division Official Gazette No. HH30311405).
An Office Action mailed by the Japanese Patent Office dated Jul. 19, 2019, which corresponds to Japanese Design Application No. 2018-015523 and is related to Design U.S. Appl. No. 29/674,632; with English language translation.

* cited by examiner

Primary Examiner — Wan Laymon
(74) *Attorney, Agent, or Firm* — Studebaker & Brackett PC

(57) **CLAIM**
The ornamental design for a projector, as shown and described.

DESCRIPTION

FIG. 1 is a top left perspective view of a projector showing our new design;
FIG. 2 is a front view thereof;
FIG. 3 is a rear view thereof;
FIG. 4 is a top plan view thereof;
FIG. 5 is a bottom plan view thereof;
FIG. 6 is a right side view thereof; and,
FIG. 7 is a left side view thereof.
The broken lines illustrate portions of the projector and form no part of the claimed design.

1 Claim, 6 Drawing Sheets

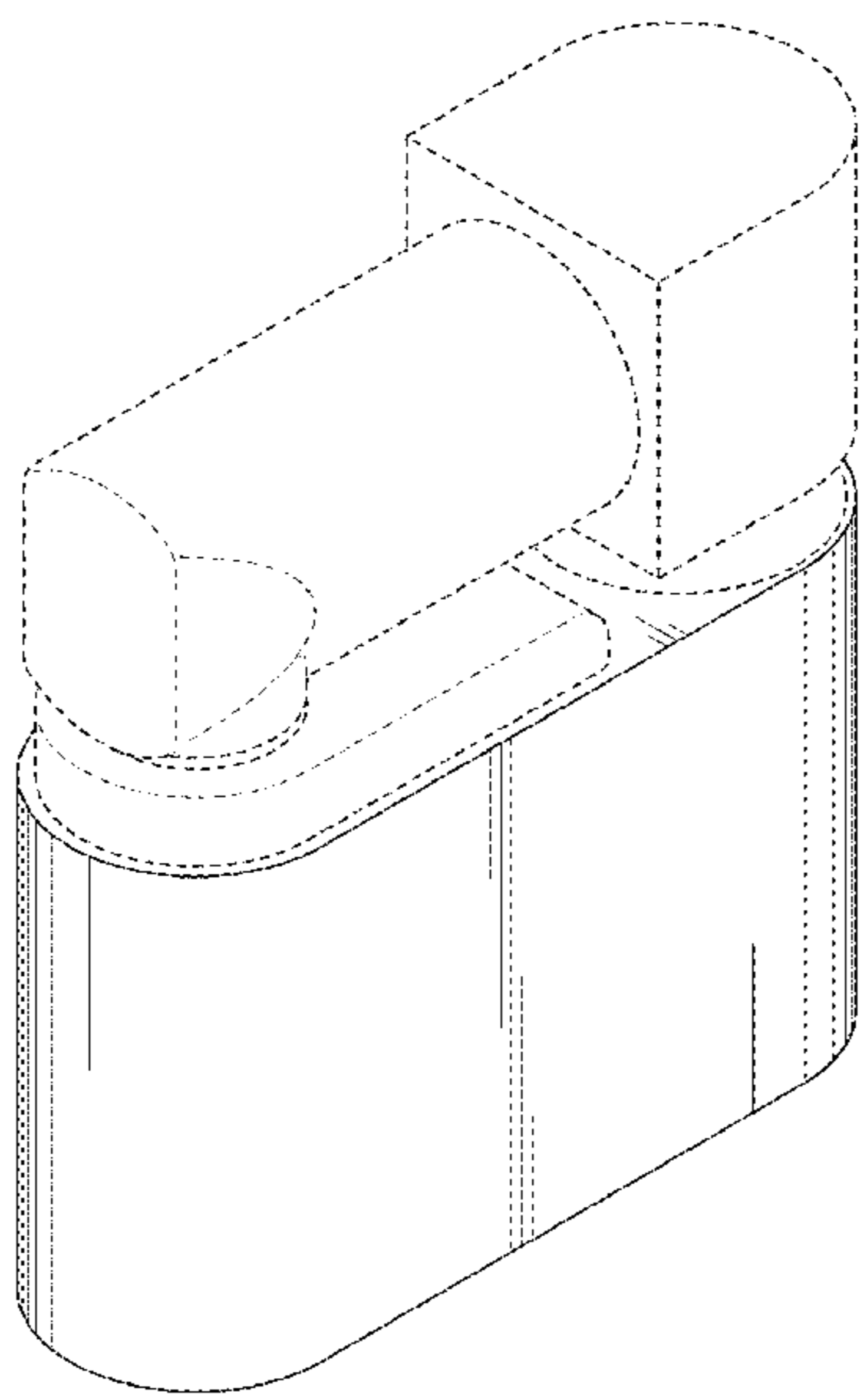


FIG. 1

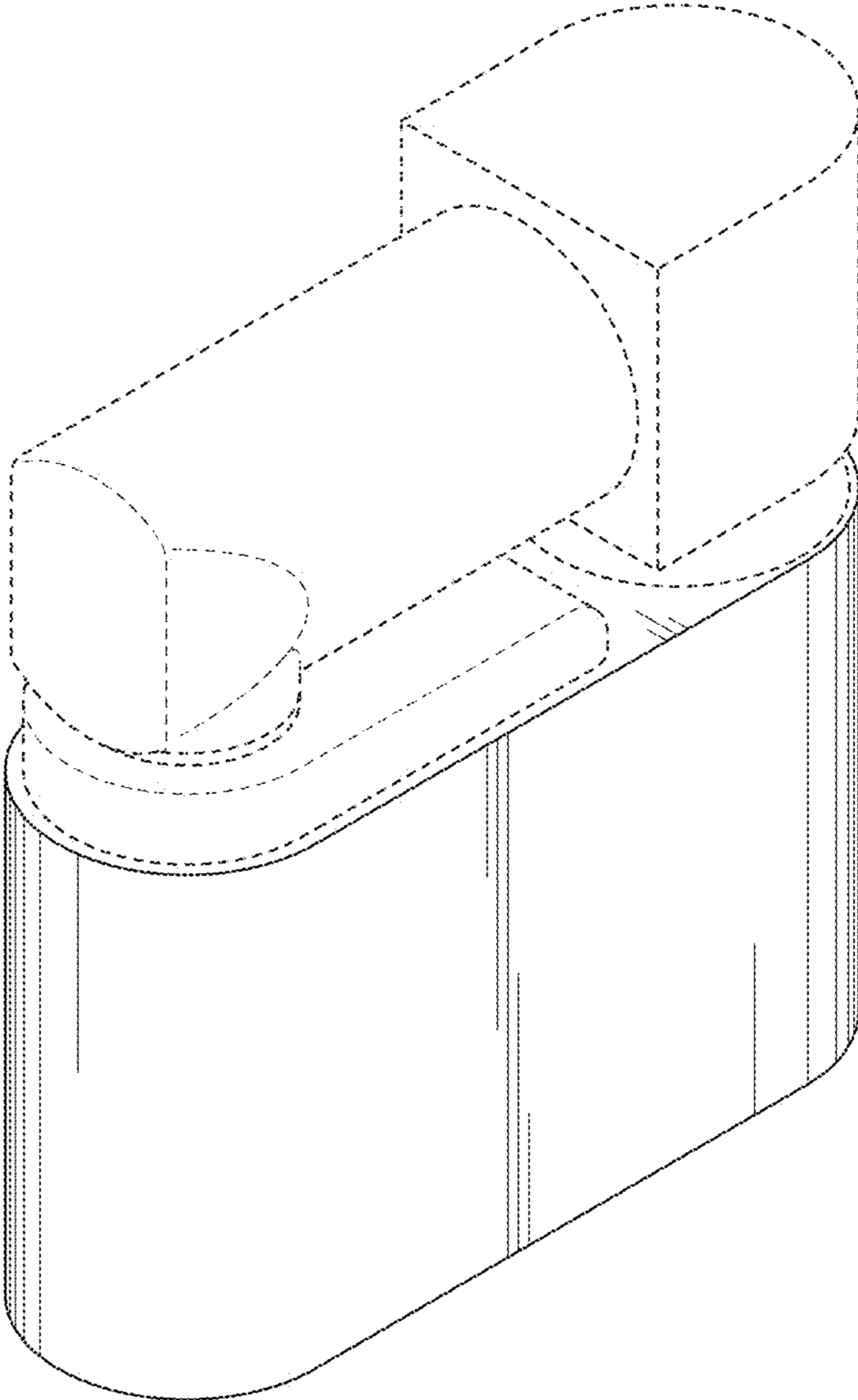


FIG. 2

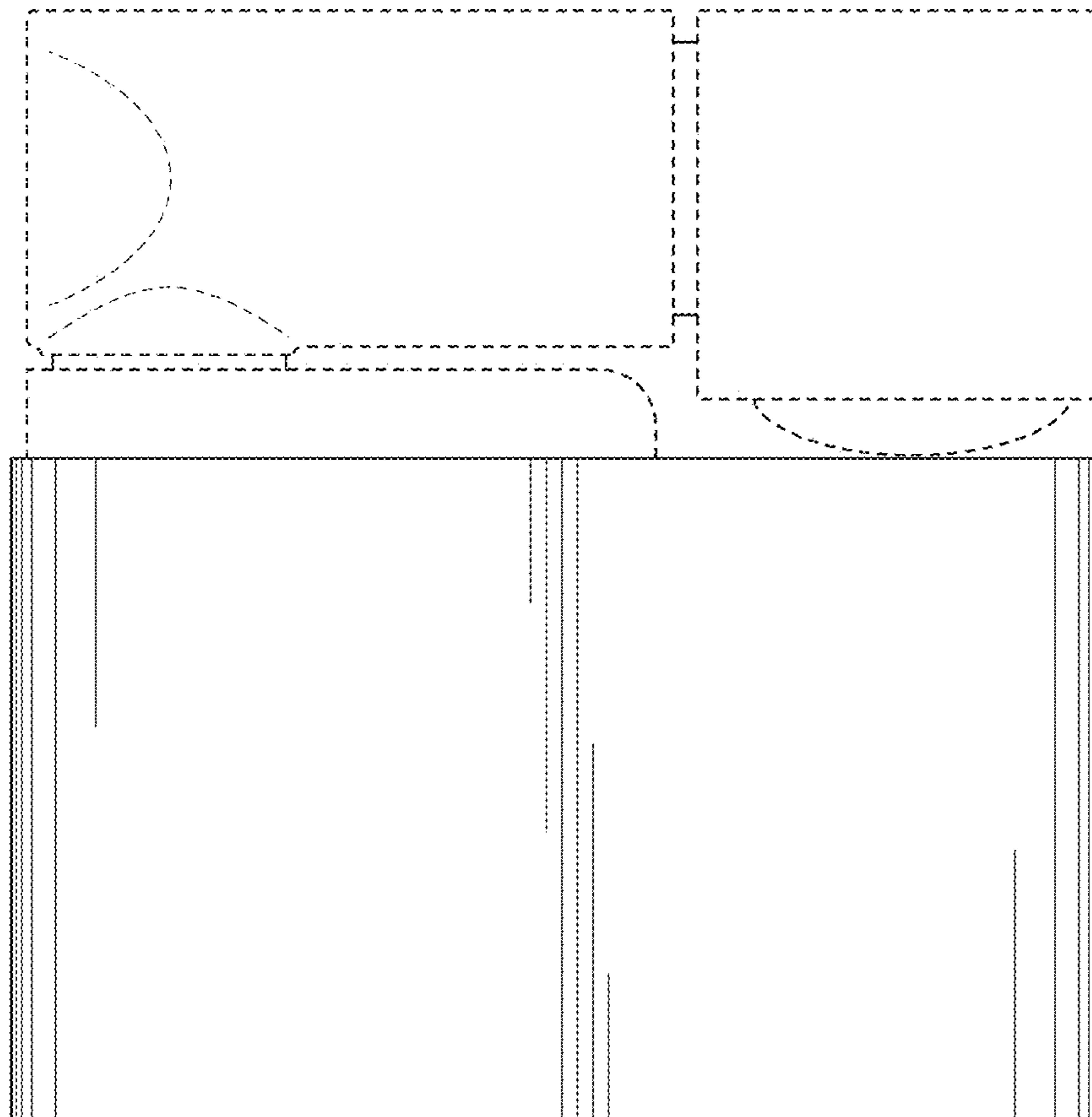


FIG. 3

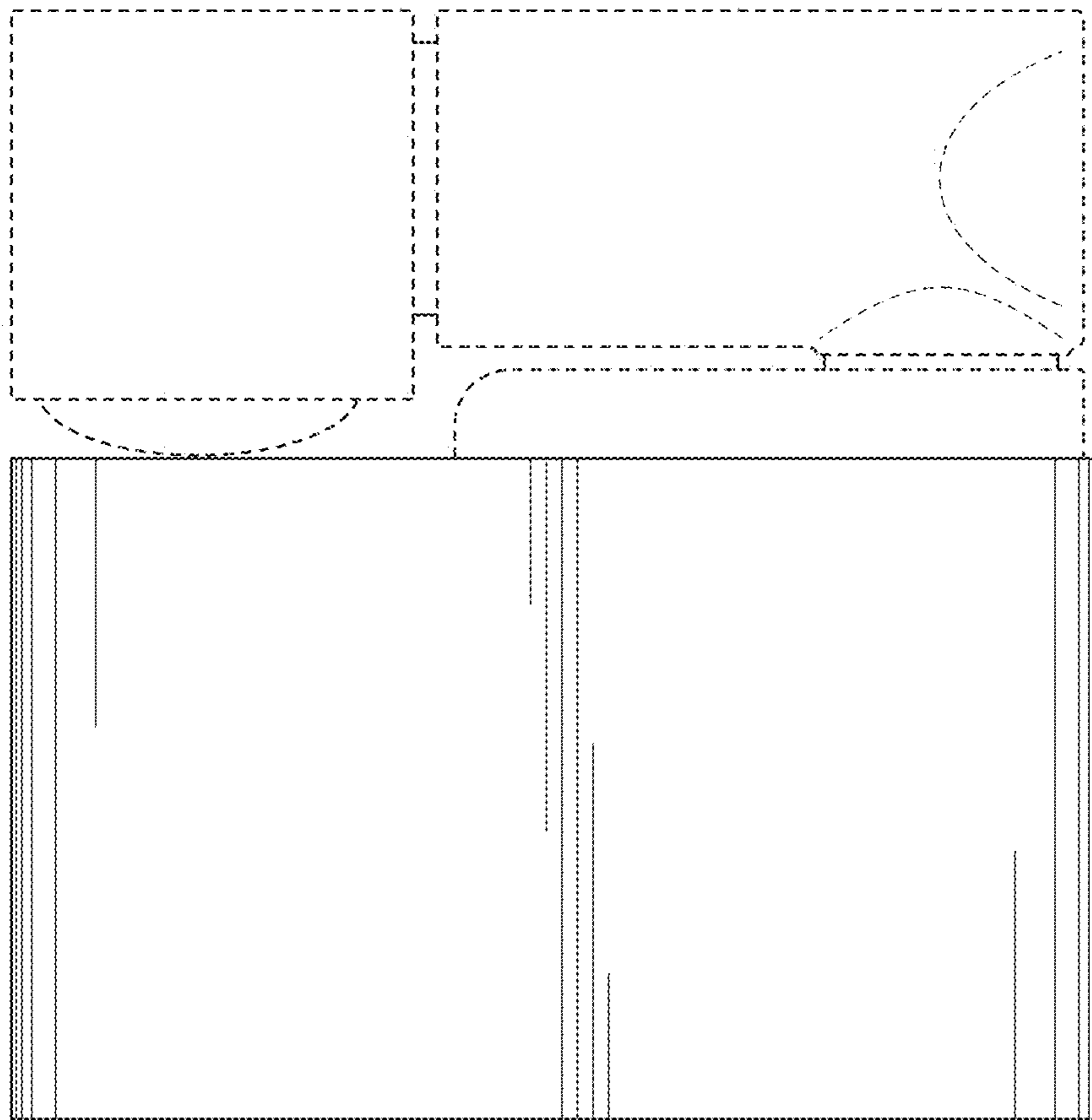


FIG. 4

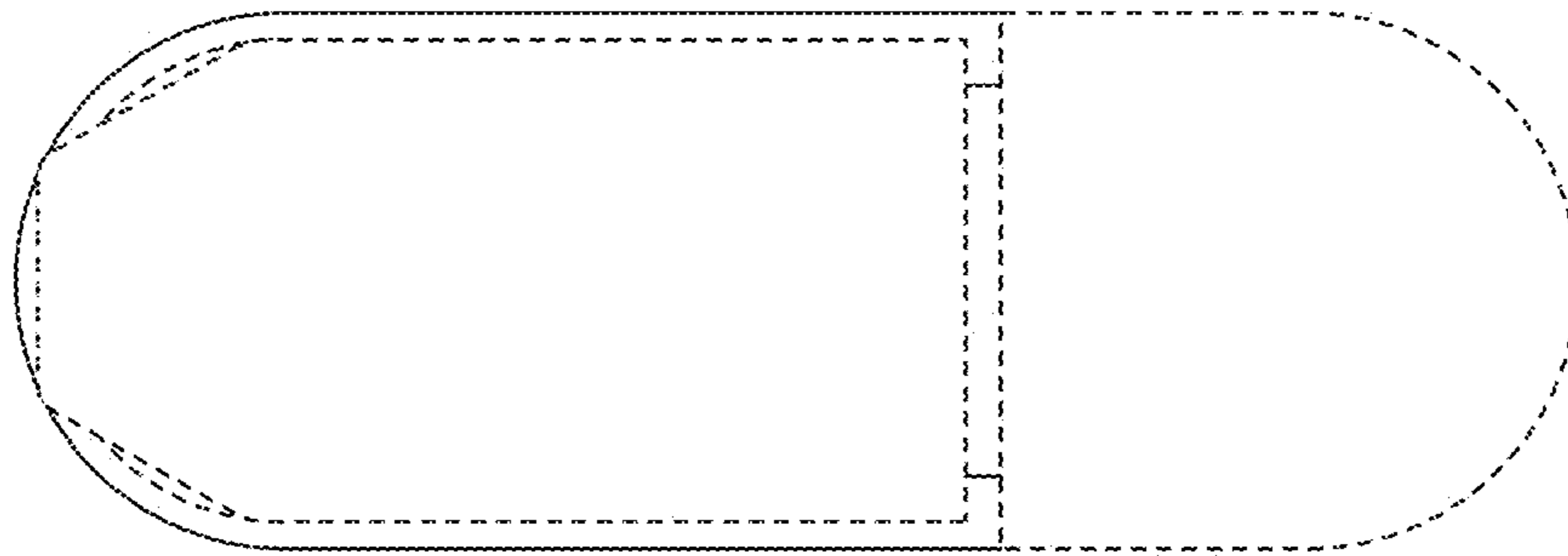


FIG. 5

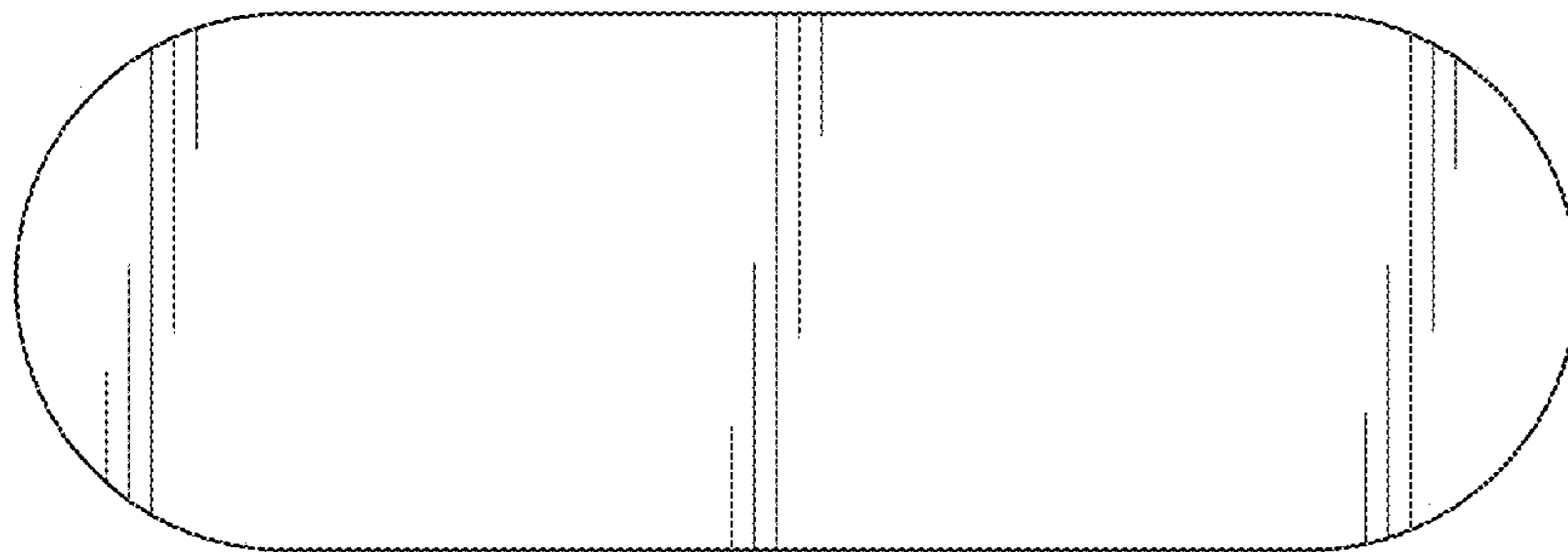


FIG. 6

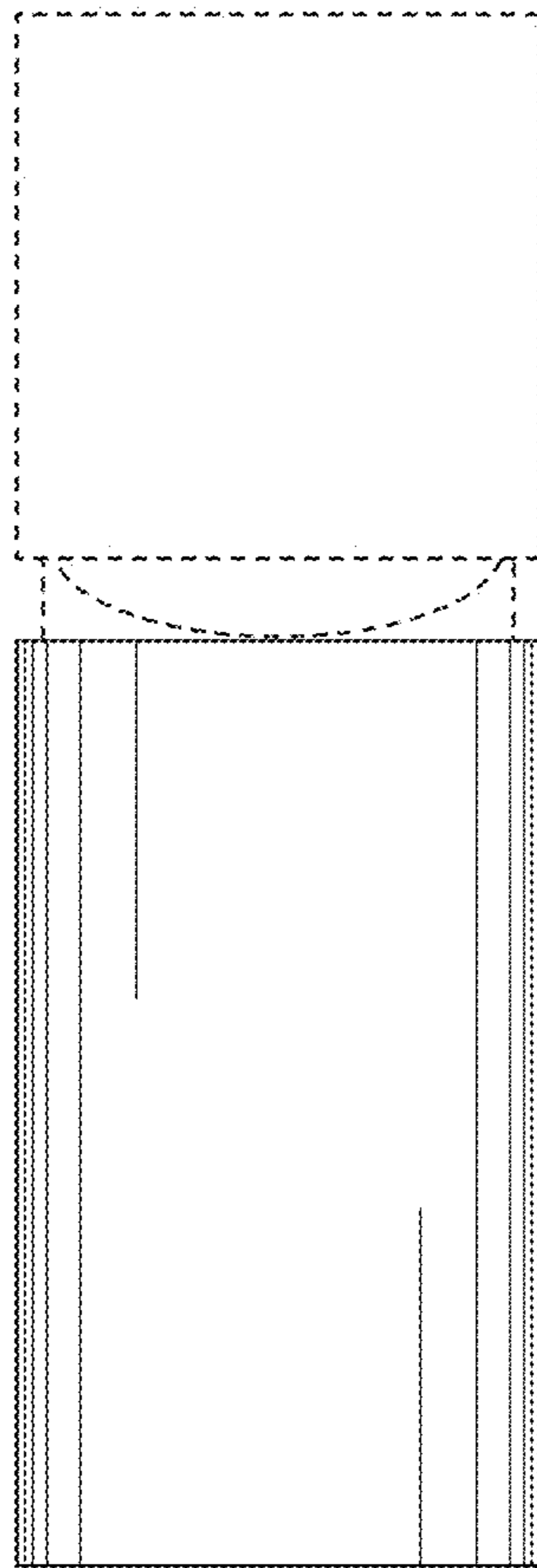


FIG. 7

