



US00D888133S

(12) **United States Design Patent** (10) **Patent No.:** **US D888,133 S**
Tanaka et al. (45) **Date of Patent:** **** Jun. 23, 2020**

(54) **PROJECTOR**

D877,795 S * 3/2020 Tanaka D16/235
D877,796 S * 3/2020 Tanaka D16/235
2007/0195294 A1* 8/2007 Willey G03B 21/26
353/119

(71) Applicant: **FUJIFILM Corporation**, Tokyo (JP)

(72) Inventors: **Kunihiko Tanaka**, Saitama (JP); **Koji Yoshida**, Saitama (JP)

(73) Assignee: **FUJIFILM Corporation**, Tokyo (JP)

(**) Term: **15 Years**

(21) Appl. No.: **29/674,139**

(22) Filed: **Dec. 19, 2018**

(30) **Foreign Application Priority Data**

Jul. 13, 2018 (JP) 2018-015517

(51) **LOC (12) Cl.** **16-02**

(52) **U.S. Cl.**
USPC **D16/235**

(58) **Field of Classification Search**
USPC D16/235, 221, 225, 229-231, 203, 208;
353/119, 122

CPC G03B 21/00; G03B 21/001; G03B 21/003;
G03B 21/12; G03B 21/14; G03B 21/145;
G03B 21/16

See application file for complete search history.

(56) **References Cited**

U.S. PATENT DOCUMENTS

D212,309 S * 9/1968 Ralke D16/235
D352,304 S * 11/1994 Zavracky D16/235
D353,390 S * 12/1994 Zavracky D16/235
5,713,652 A * 2/1998 Zavracky A61B 3/113
353/119
6,464,358 B1 * 10/2002 Shirakura G03B 21/00
353/119
6,604,831 B1 * 8/2003 Prestigomo G03B 23/00
248/188.2
D569,408 S * 5/2008 Solomon D16/229
7,670,012 B2 * 3/2010 Solomon G03B 21/30
353/119

FOREIGN PATENT DOCUMENTS

JP 1613726 S 11/2018
JP 1618899 S 11/2018
JP 1635607 S 7/2019
JP 1635608 S 7/2019
JP 1635611 S 7/2019
JP 1635612 S 7/2019

OTHER PUBLICATIONS

An Office Action mailed by the Japanese Patent Office dated Jul. 18, 2019, which corresponds to Japanese Design Application No. 2018-015517 and is related to Design U.S. Appl. No. 29/674,139; with English language translation.

* cited by examiner

Primary Examiner — Wan Laymon

(74) *Attorney, Agent, or Firm* — Studebaker & Brackett PC

(57) **CLAIM**

The ornamental design for a projector, as shown and described.

DESCRIPTION

FIG. 1 is a top left perspective view of a projector showing our new design;
FIG. 2 is a front view thereof;
FIG. 3 is a rear view thereof;
FIG. 4 is a top plan view thereof;
FIG. 5 is a bottom plan view thereof;
FIG. 6 is a right side view thereof; and,
FIG. 7 is a left side view thereof.
The broken lines illustrate portions of the projector and form no part of the claimed design.

1 Claim, 6 Drawing Sheets

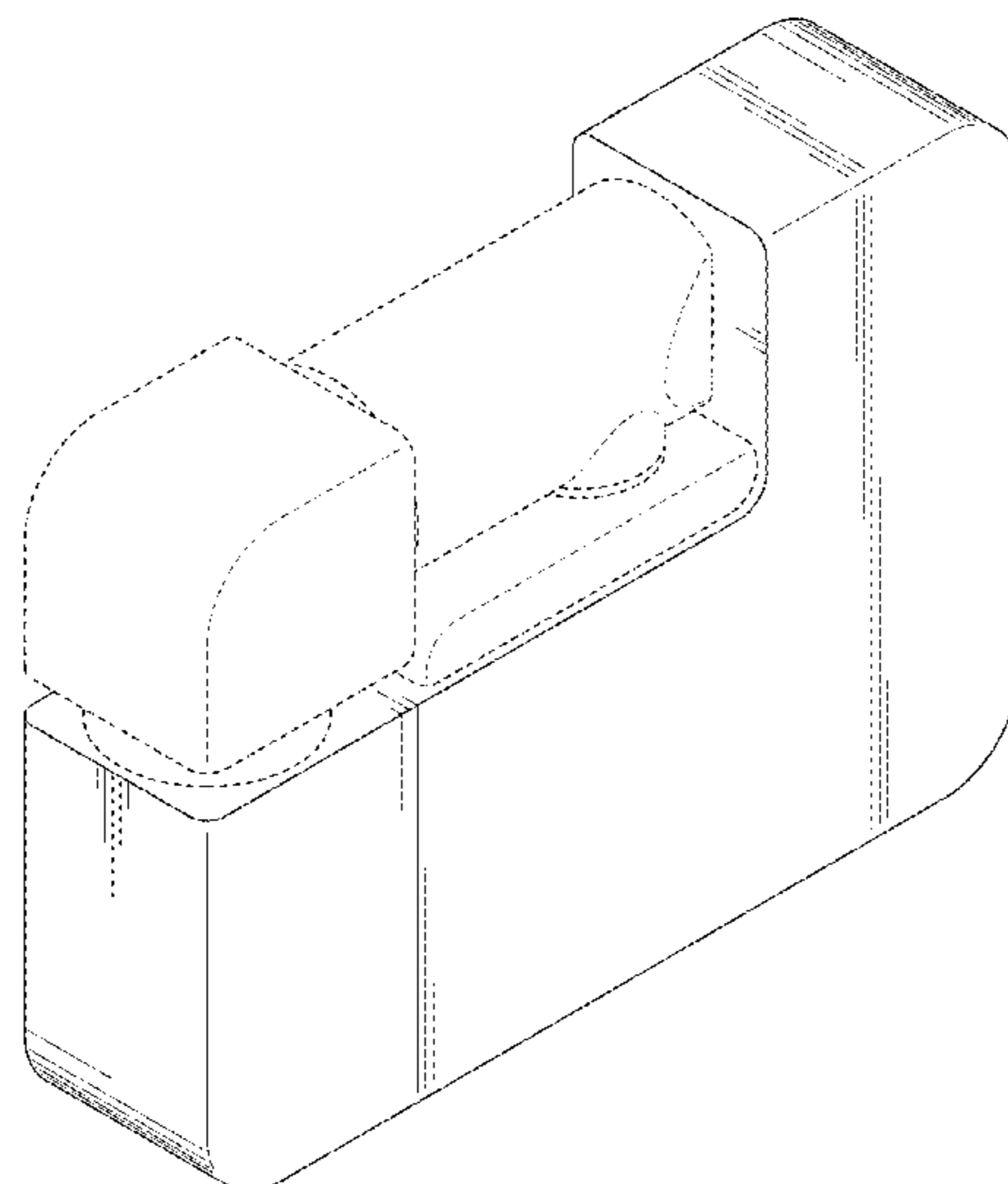


FIG. 1

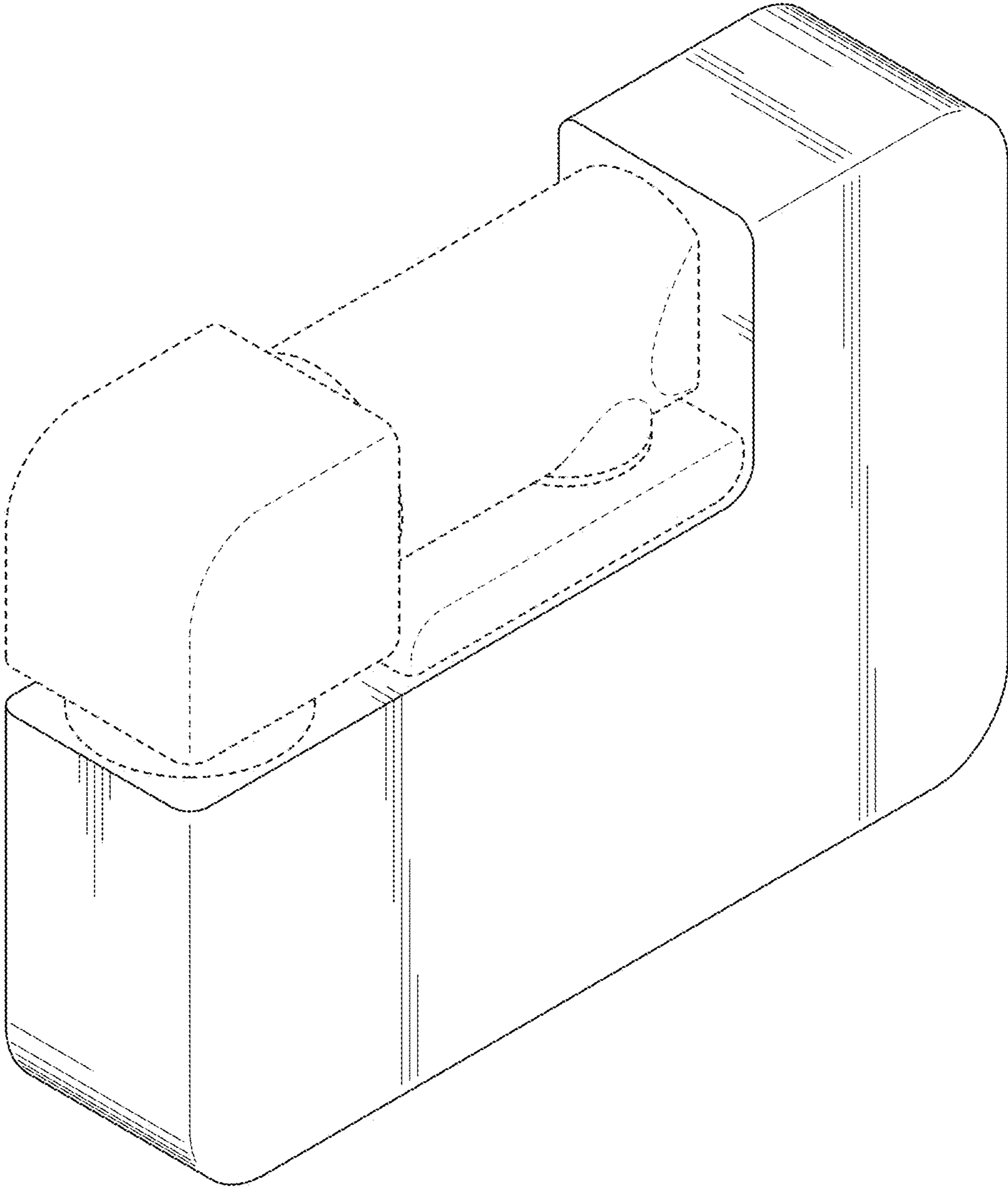


FIG. 2

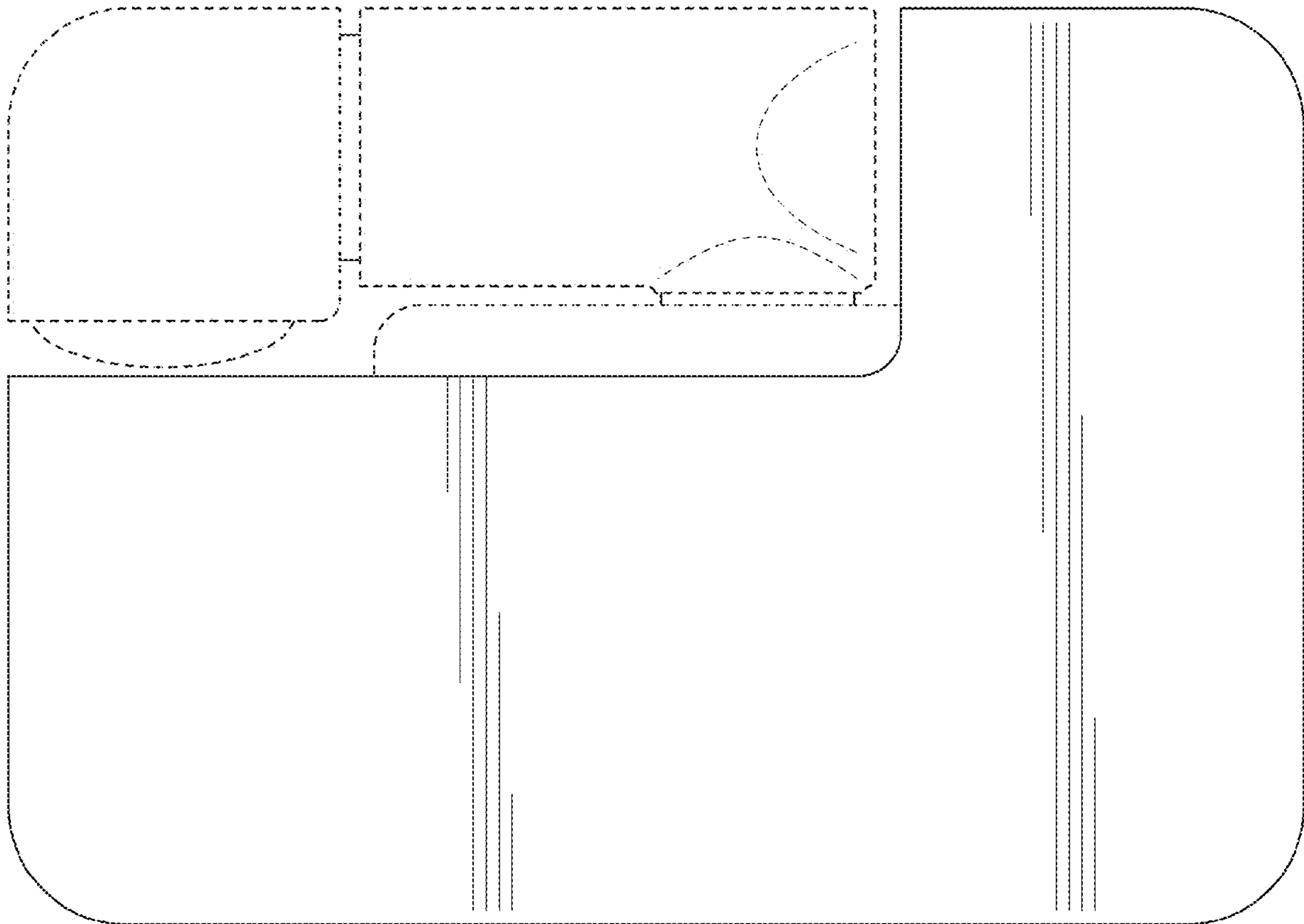


FIG. 3

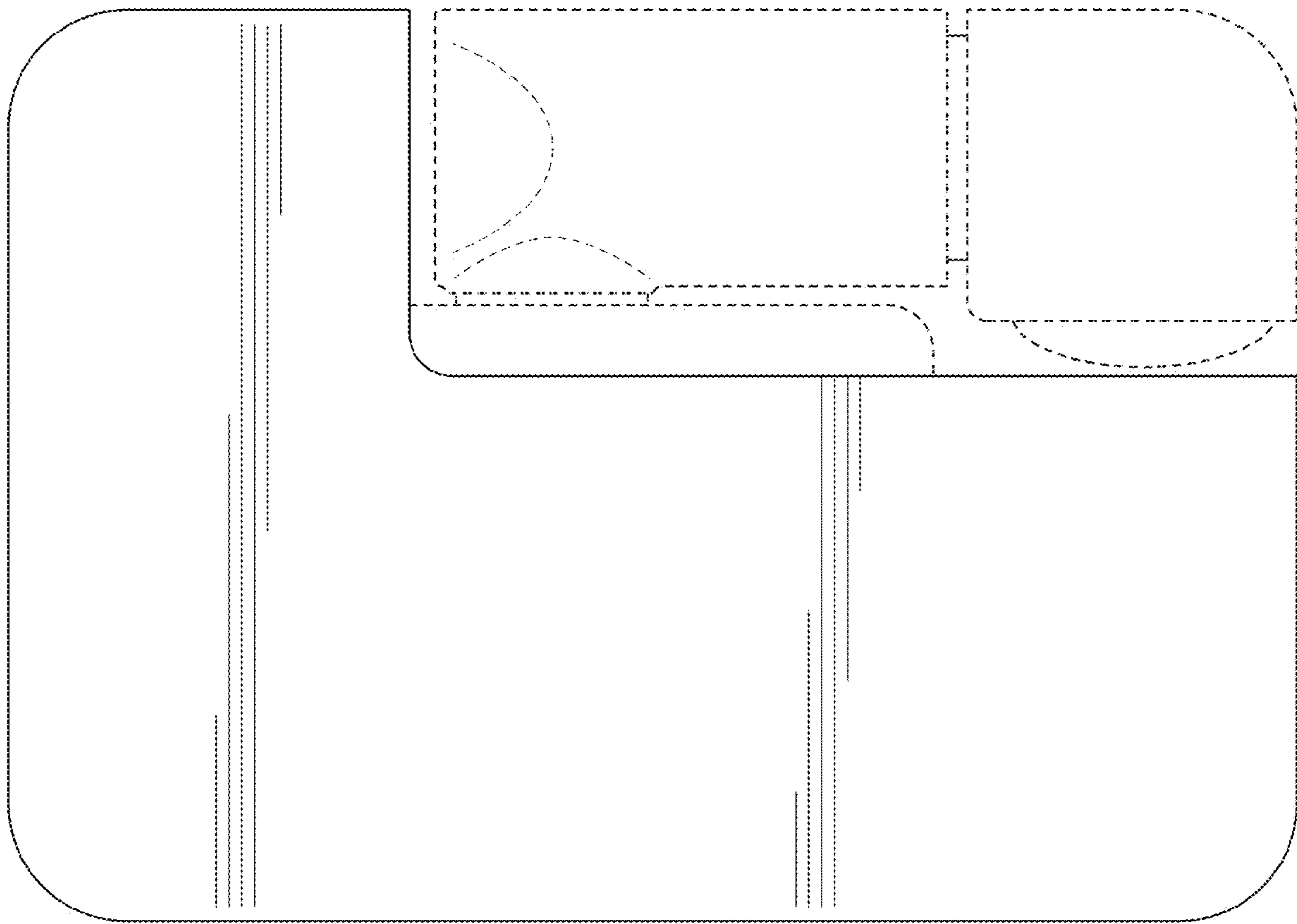


FIG. 4

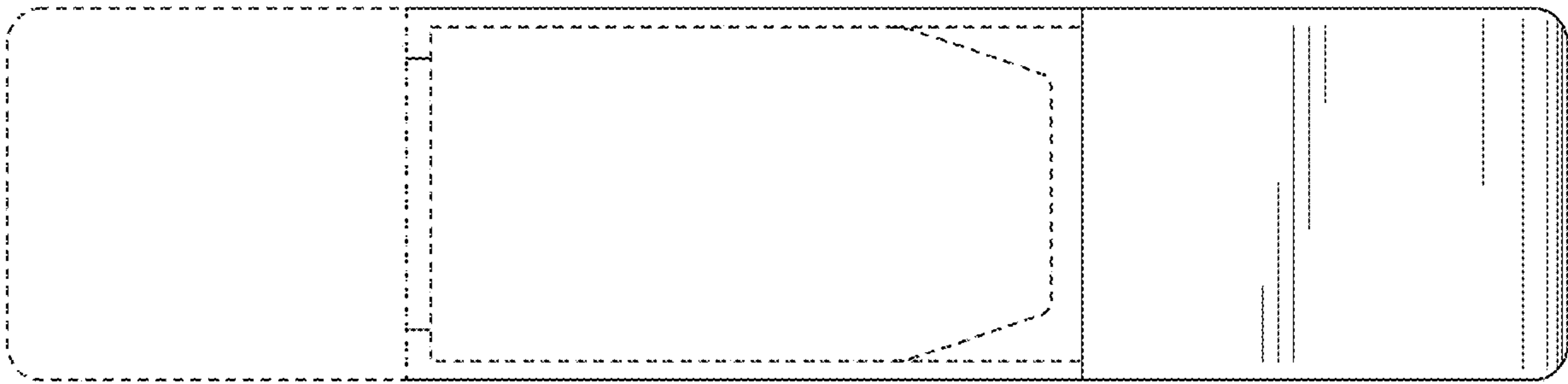


FIG. 5

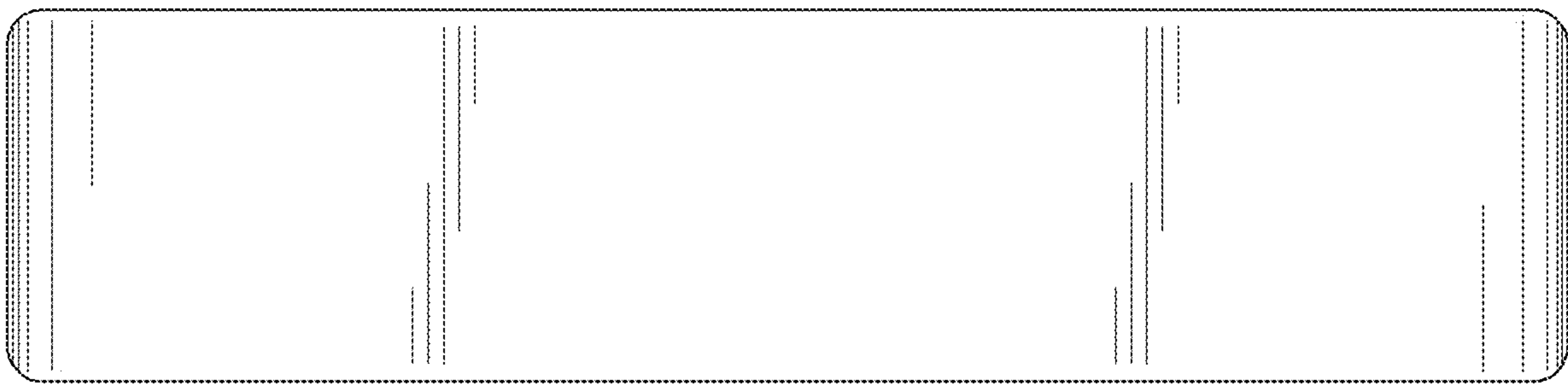


FIG. 6

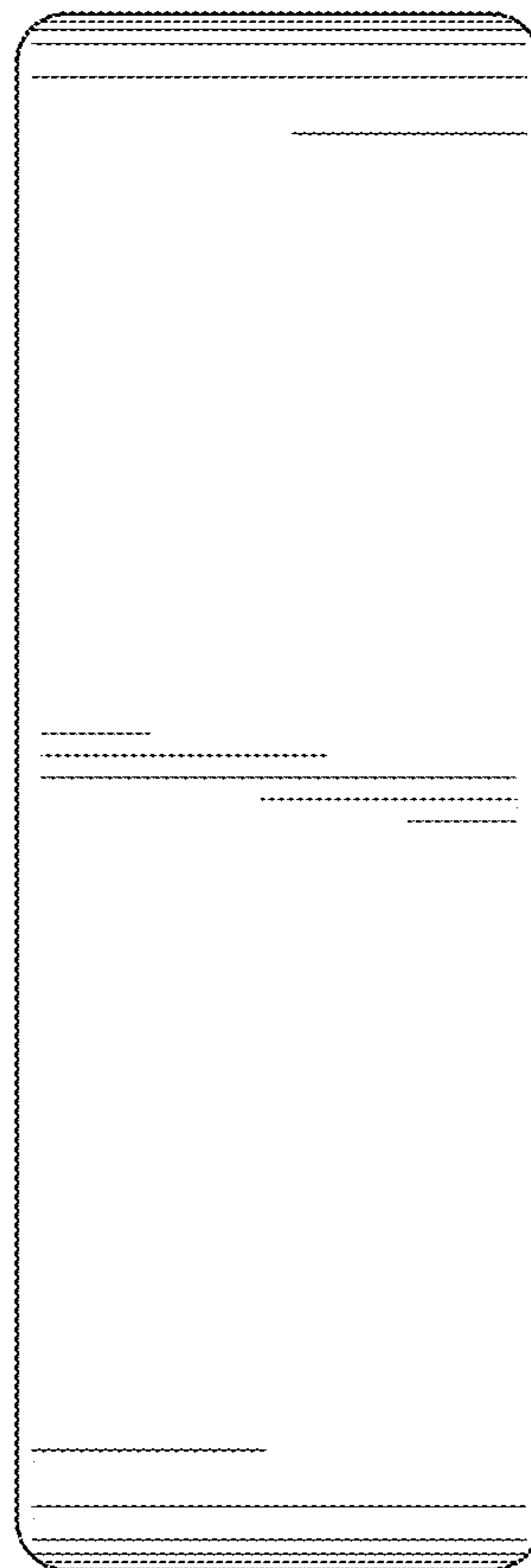


FIG. 7

