



US00D888132S

(12) **United States Design Patent** (10) **Patent No.:** **US D888,132 S**  
**Kao et al.** (45) **Date of Patent:** **\*\* Jun. 23, 2020**

(54) **PROJECTOR EQUIPPED WITH FUNCTIONAL MODULE**  
(71) Applicants: **Hsing-Yi Kao**, Taipei (TW);  
**Ming-Chung Liu**, Taipei (TW);  
**Shih-Neng Hong**, Taipei (TW)  
(72) Inventors: **Hsing-Yi Kao**, Taipei (TW);  
**Ming-Chung Liu**, Taipei (TW);  
**Shih-Neng Hong**, Taipei (TW)  
(73) Assignee: **COMPAL ELECTRONICS, INC.**,  
Taipei (TW)  
(\*\*) Term: **15 Years**  
(21) Appl. No.: **29/673,225**  
(22) Filed: **Dec. 13, 2018**  
(51) **LOC (12) Cl.** ..... **16-02**  
(52) **U.S. Cl.**  
USPC ..... **D16/235**  
(58) **Field of Classification Search**  
USPC ..... D16/221, 225, 229, 230–233, 208, 214;  
D14/423; 348/373, 375; 353/119, 122  
(Continued)

(56) **References Cited**  
U.S. PATENT DOCUMENTS  
D401,954 S \* 12/1998 Oh ..... D16/232  
6,695,452 B2 \* 2/2004 Panasewicz ..... G03B 21/145  
353/119  
(Continued)

*Primary Examiner* — Wan Laymon  
(74) *Attorney, Agent, or Firm* — JCIPRNET

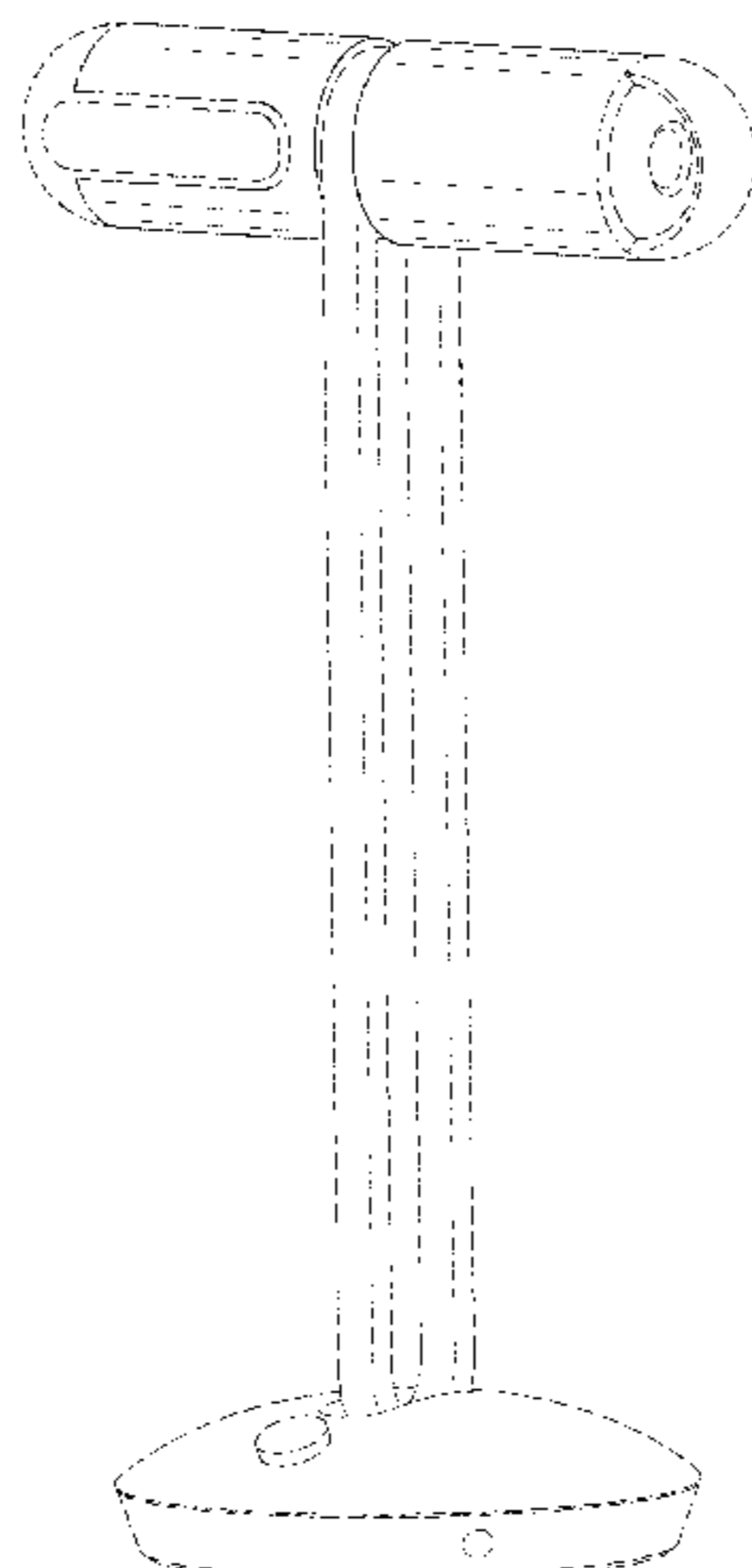
(57) **CLAIM**  
The ornamental design for a projector equipped with functional module, as shown and described.

**DESCRIPTION**

FIG. 1 is a perspective view of a projector equipped with functional module showing our new design;

FIG. 2 is a front view thereof;  
FIG. 3 is a rear view thereof;  
FIG. 4 is a left side view thereof;  
FIG. 5 is a right side view thereof;  
FIG. 6 is a top view thereof;  
FIG. 7 is a bottom view thereof;  
FIG. 8 is a perspective view thereof in a state which the support, the projecting module and the functional module are moved;  
FIG. 9 is a front view thereof in a state which the support, the projecting module and the functional module are moved;  
FIG. 10 is a rear view thereof in a state which the support, the projecting module and the functional module are moved;  
FIG. 11 is a left side view thereof in a state which the support, the projecting module and the functional module are moved;  
FIG. 12 is a right side view thereof in a state which the support, the projecting module and the functional module are moved;  
FIG. 13 is a top view thereof in a state which the support, the projecting module and the functional module are moved;  
FIG. 14 is a bottom view thereof in a state which the support, the projecting module and the functional module are moved;  
FIG. 15 is a perspective view thereof in a using state which the projecting module and the functional module are combined with each other;  
FIG. 16 is a front view thereof in a using state which the projecting module and the functional module are combined with each other;  
FIG. 17 is a rear view thereof in a using state which the projecting module and the functional module are combined with each other;  
FIG. 18 is a left side view thereof in a using state which the projecting module and the functional module are combined with each other;  
FIG. 19 is a right side view thereof in a using state which the projecting module and the functional module are combined with each other;  
FIG. 20 is a top view thereof in a using state which the projecting module and the functional module are combined with each other; and,  
FIG. 21 is a bottom view thereof in a using state which the projecting module and the functional module are combined with each other.

(Continued)



The dashed broken lines depict portions of the projector equipped with functional module and form no part of the claimed design. The dot-dash broken lines define the bounds of the claimed design and form no part thereof.

**1 Claim, 16 Drawing Sheets**

(58) **Field of Classification Search**

CPC .... G03B 21/00; G03B 21/001; G03B 21/003;  
G03B 21/12; G03B 21/14; G03B 21/145;  
G03B 21/2013; H04N 5/2251; H04N  
5/2252; H04N 5/2253; H04N 5/2254;  
F21V 21/32; F21V 23/04

See application file for complete search history.

(56) **References Cited**

U.S. PATENT DOCUMENTS

D487,903 S \* 3/2004 Panasewicz ..... D16/225  
D518,081 S \* 3/2006 Peard ..... D16/225  
7,281,807 B2 \* 10/2007 Plut ..... G03B 21/16  
348/771  
D554,685 S \* 11/2007 Ishikawa ..... D16/225  
D695,814 S \* 12/2013 Park ..... D16/232  
D717,855 S \* 11/2014 Hong ..... D16/232  
D764,563 S \* 8/2016 Magi ..... D16/221  
9,562,673 B1 \* 2/2017 Khubani ..... G03B 21/14  
D819,713 S \* 6/2018 Pickett ..... D16/214  
10,146,120 B1 \* 12/2018 Zhang ..... G03B 21/145  
2004/0165389 A1 \* 8/2004 Chang ..... H04N 9/3141  
362/317  
2018/0106471 A1 \* 4/2018 Gao ..... G03B 21/145

\* cited by examiner

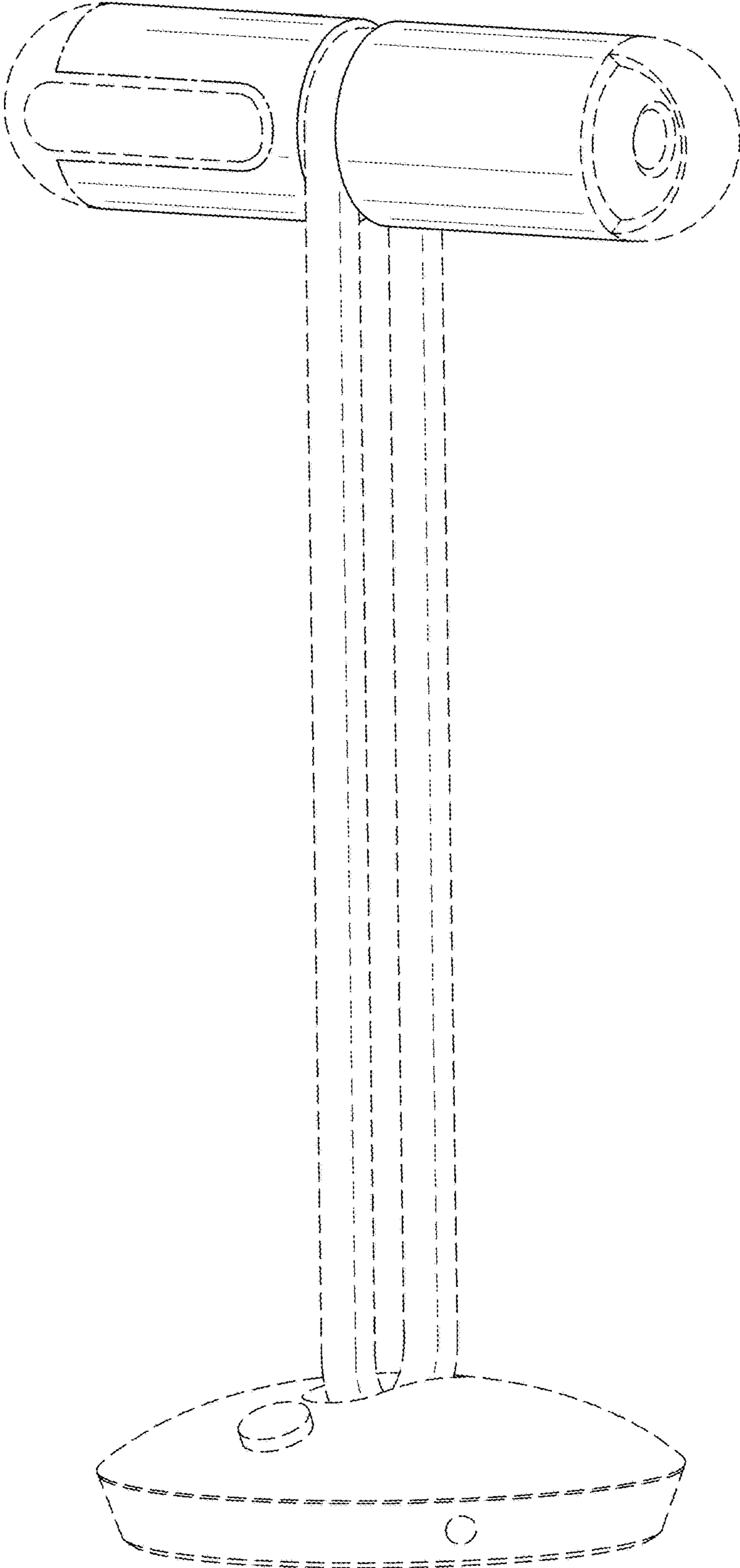


FIG. 1

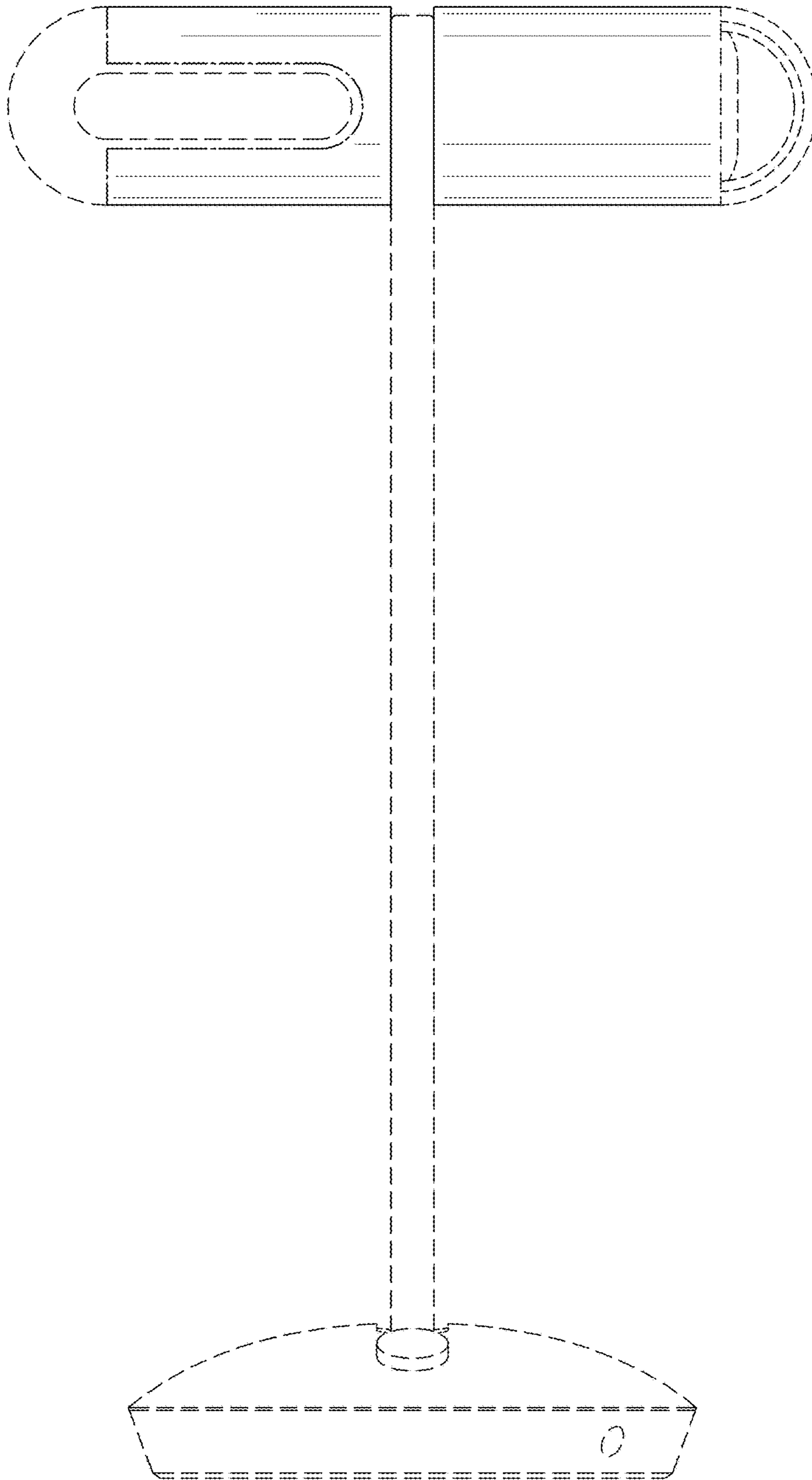


FIG. 2

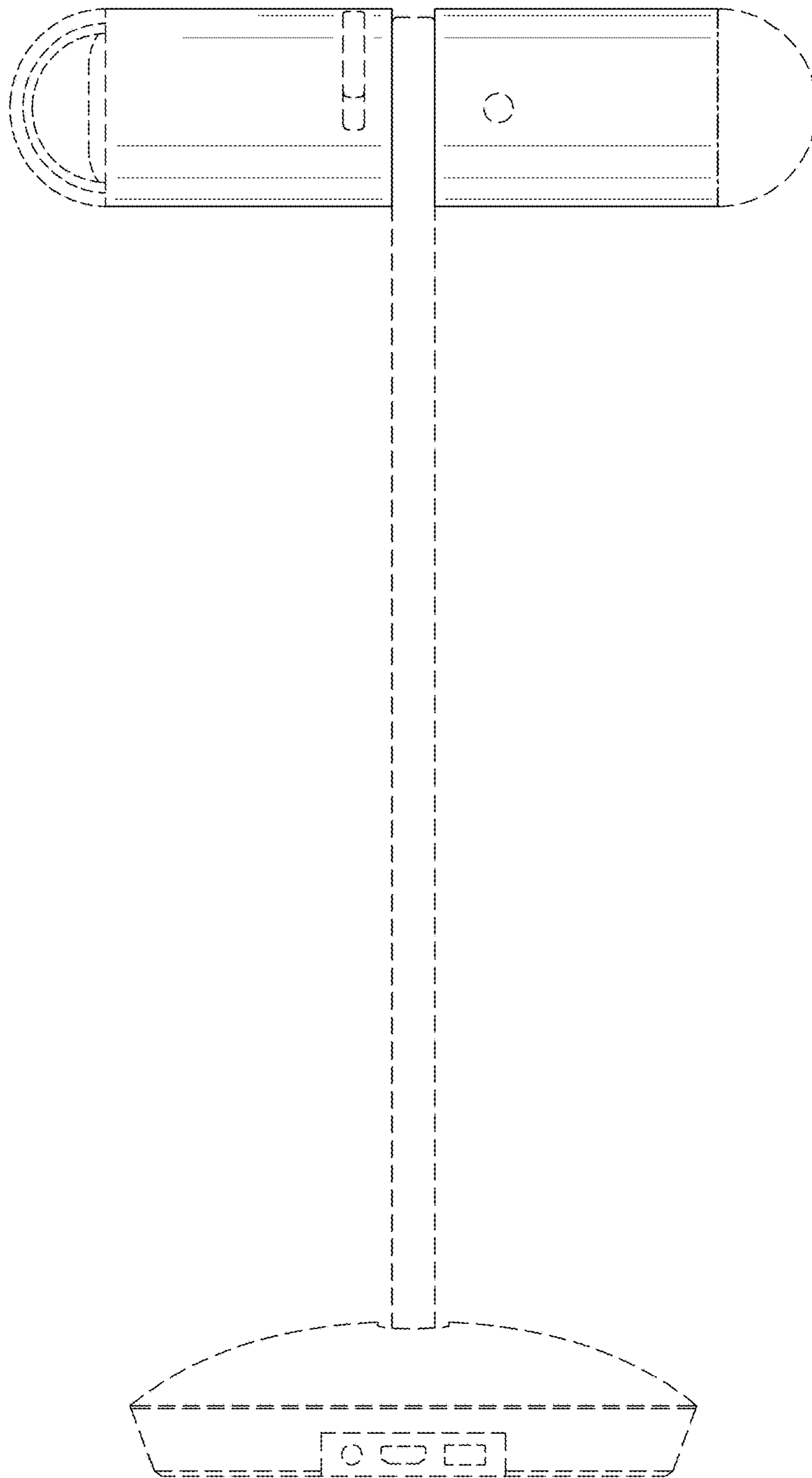


FIG. 3

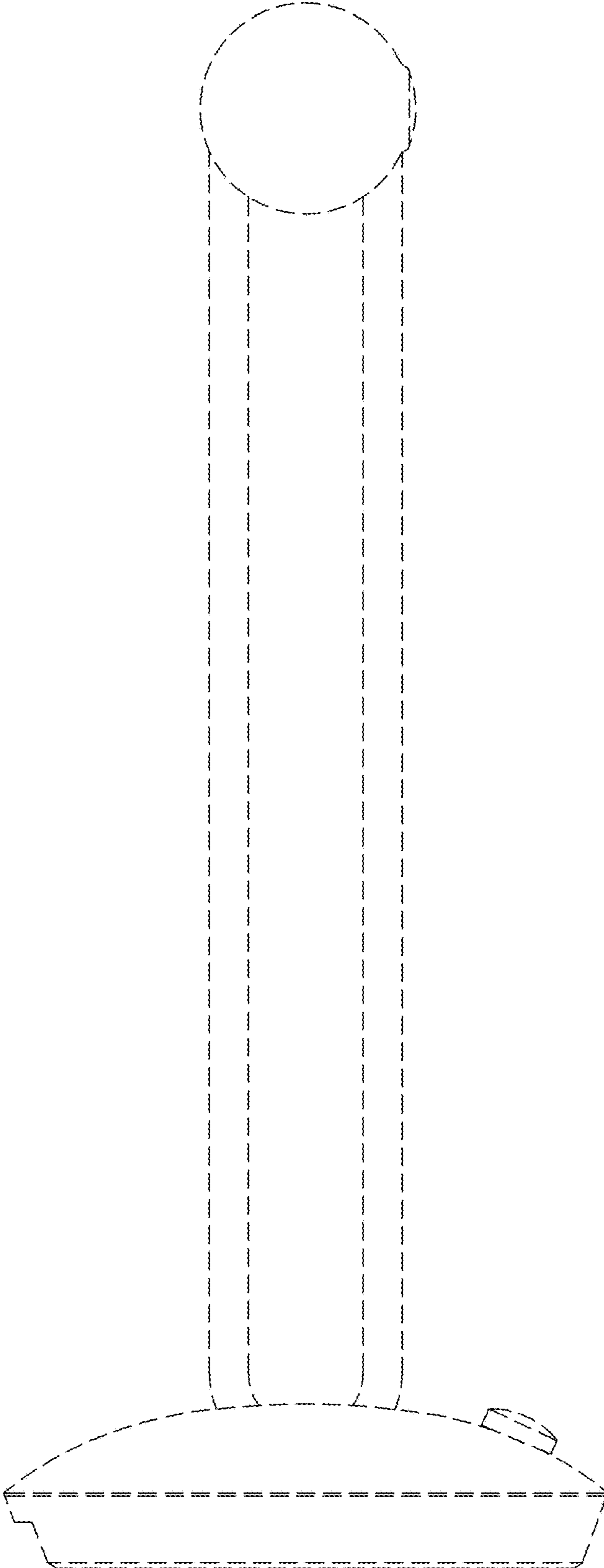


FIG. 4



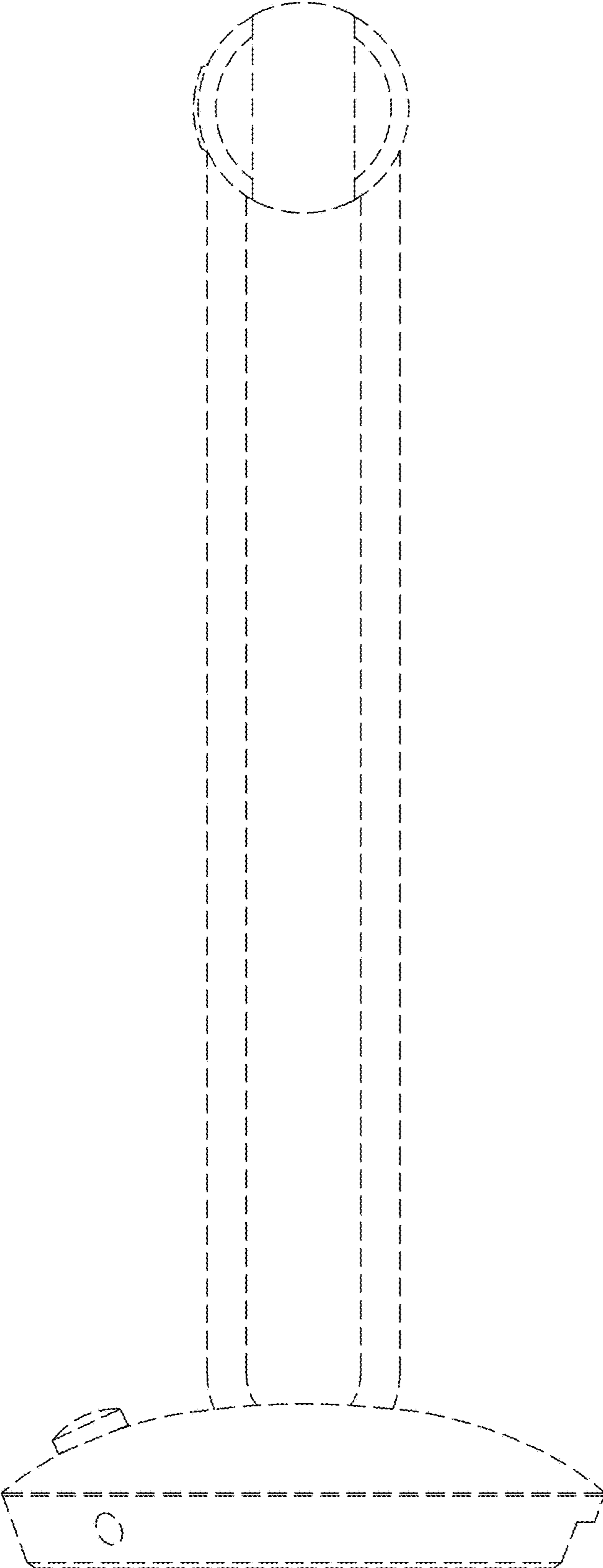


FIG. 5

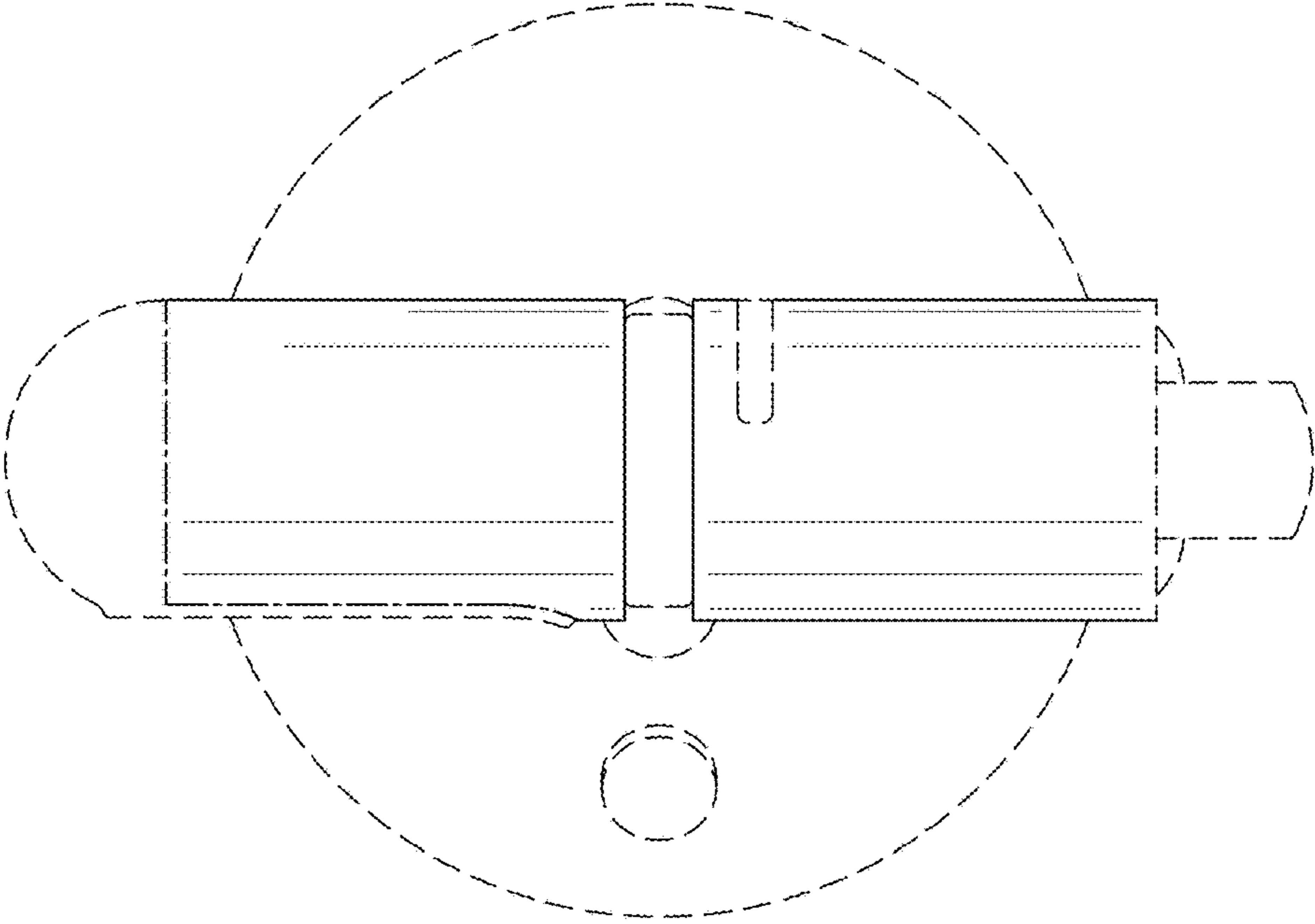


FIG. 6

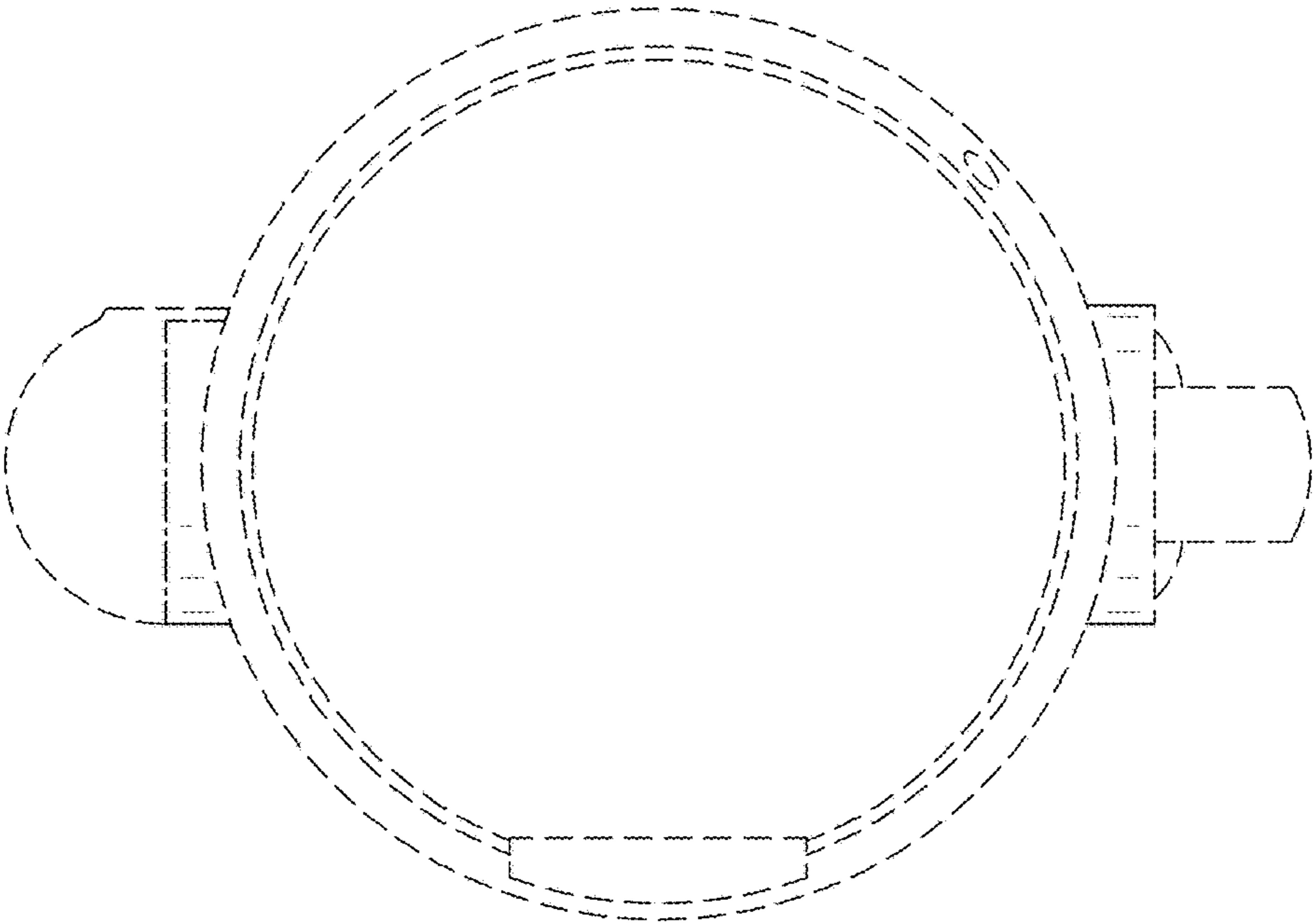


FIG. 7



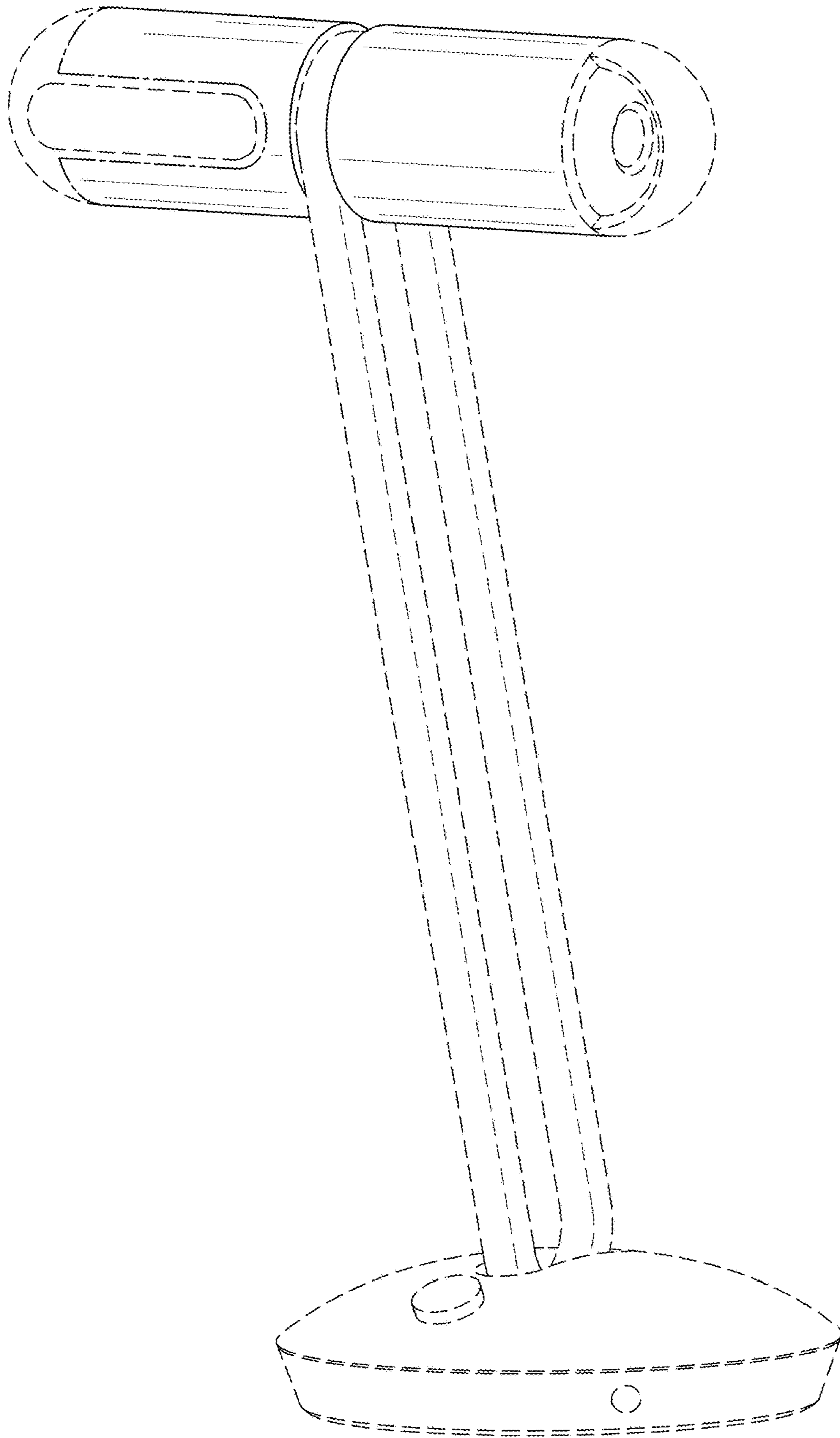


FIG. 8

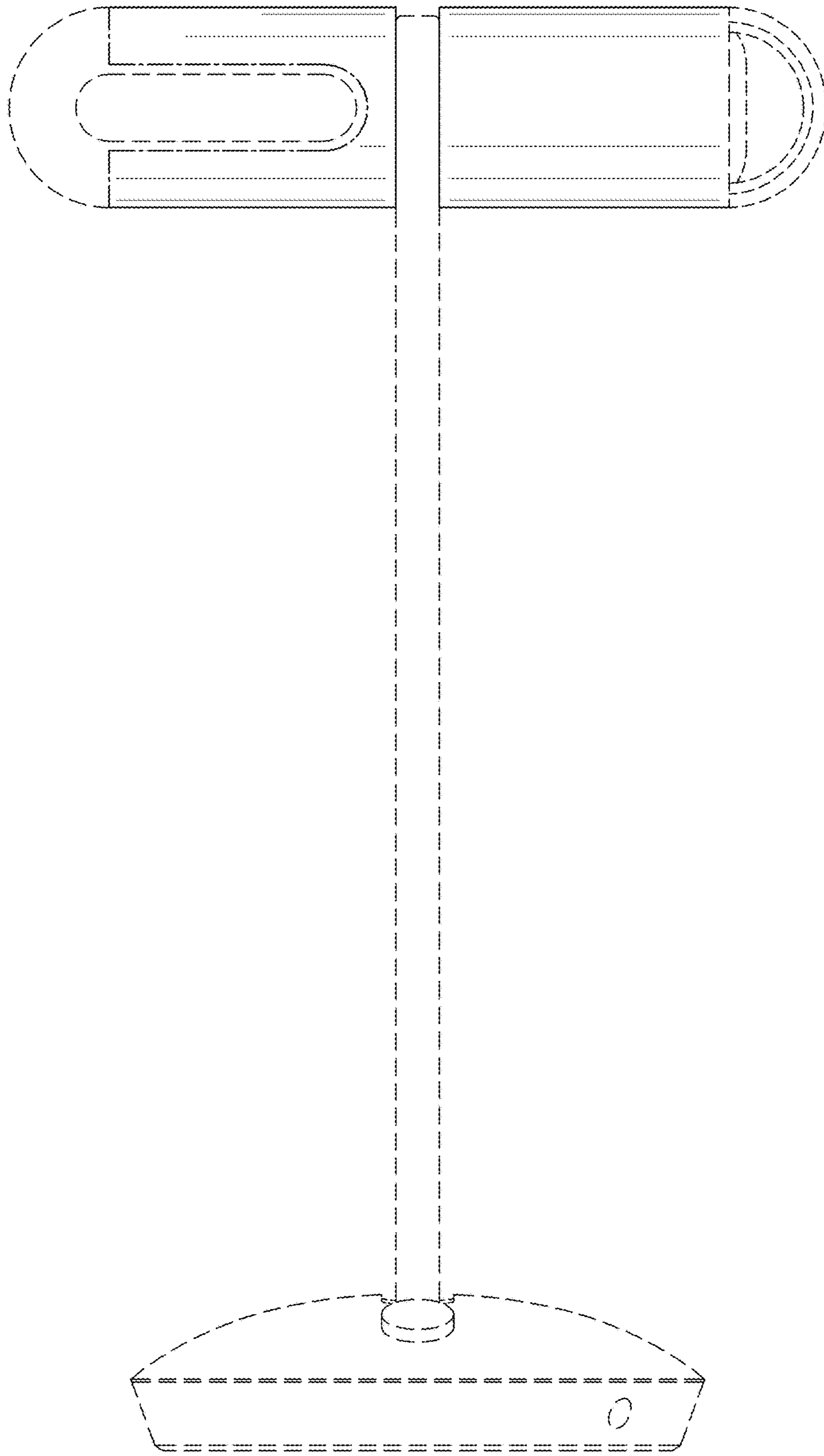


FIG. 9

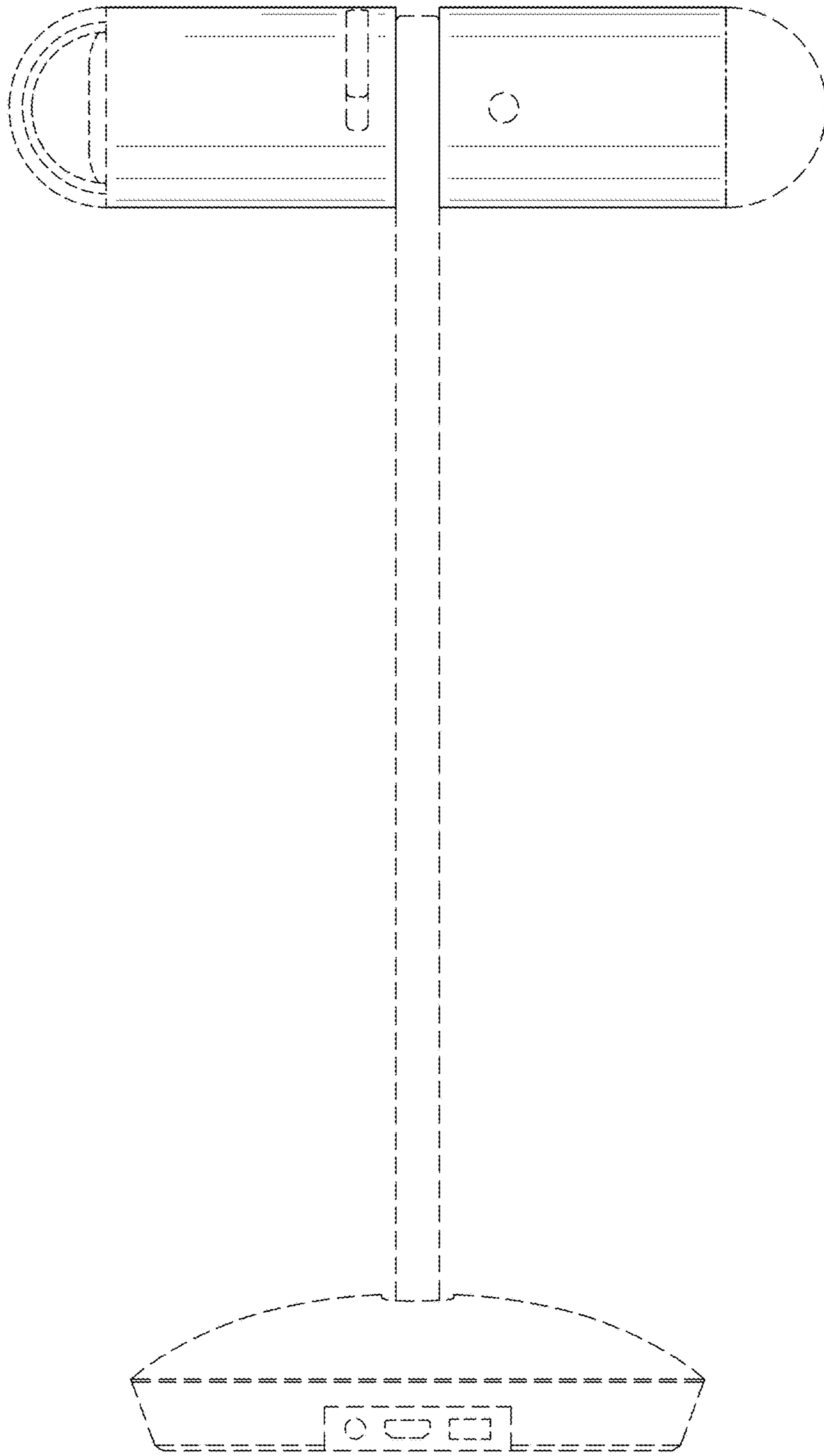


FIG. 10

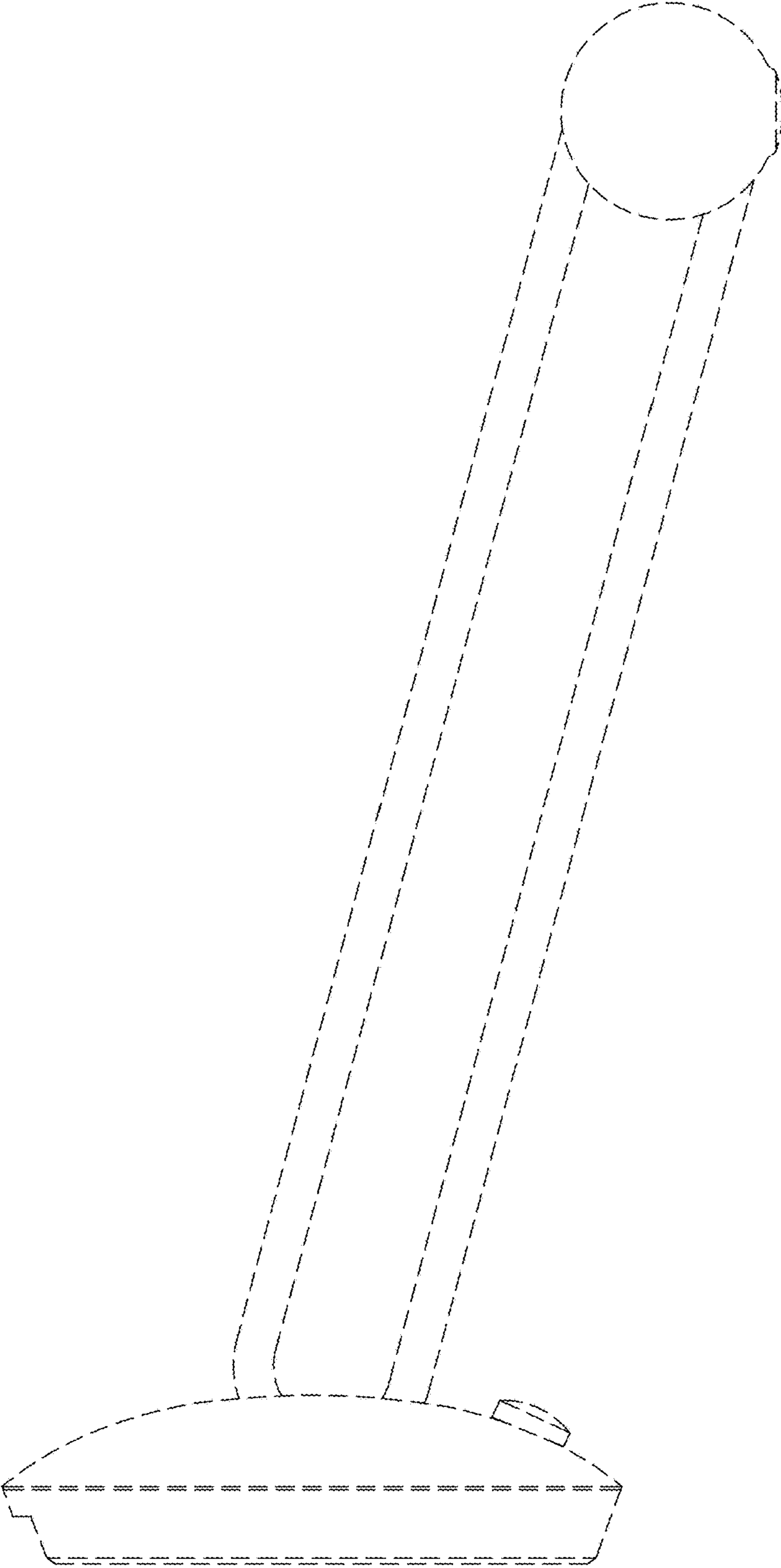


FIG. 11

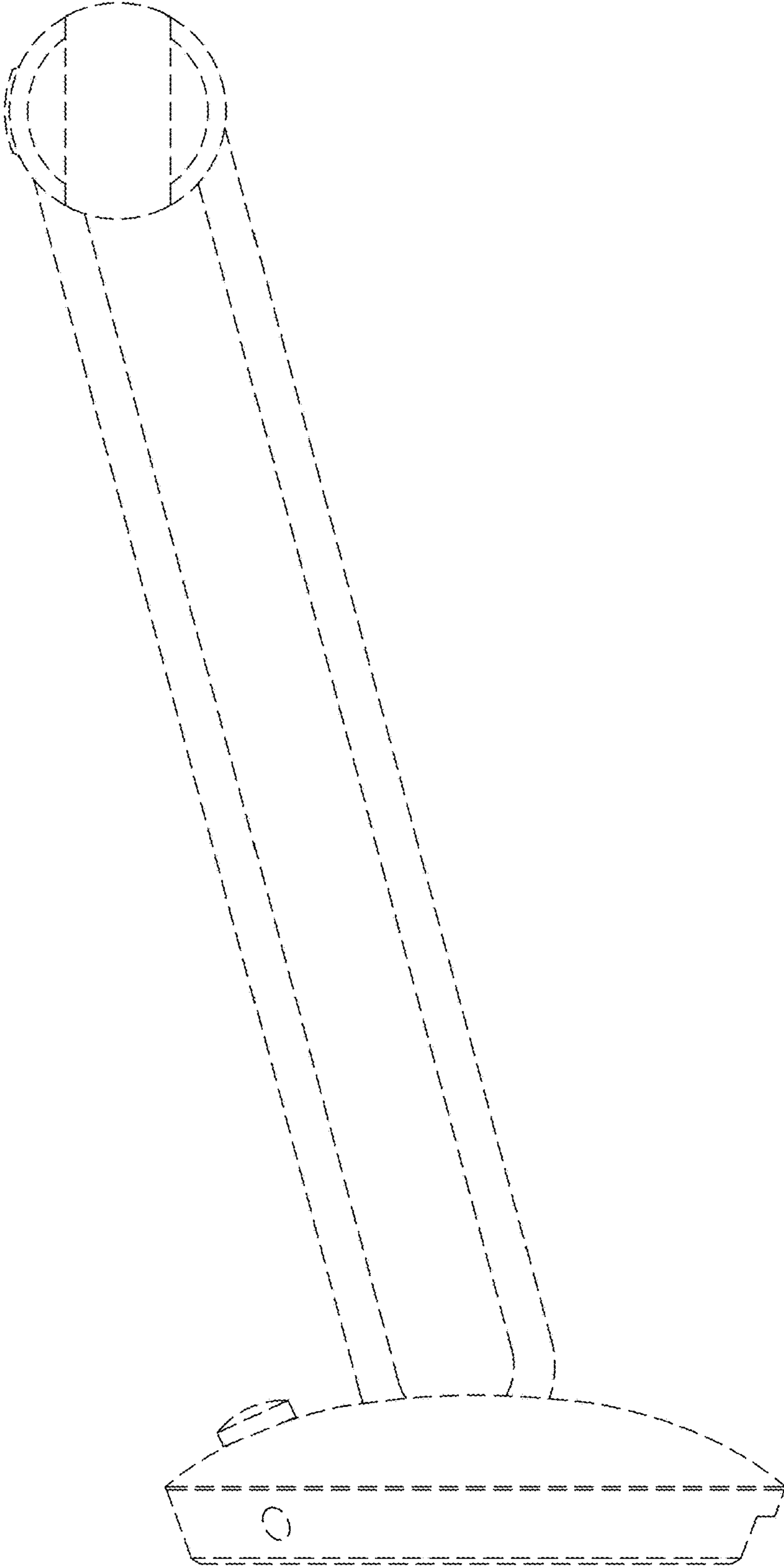


FIG. 12

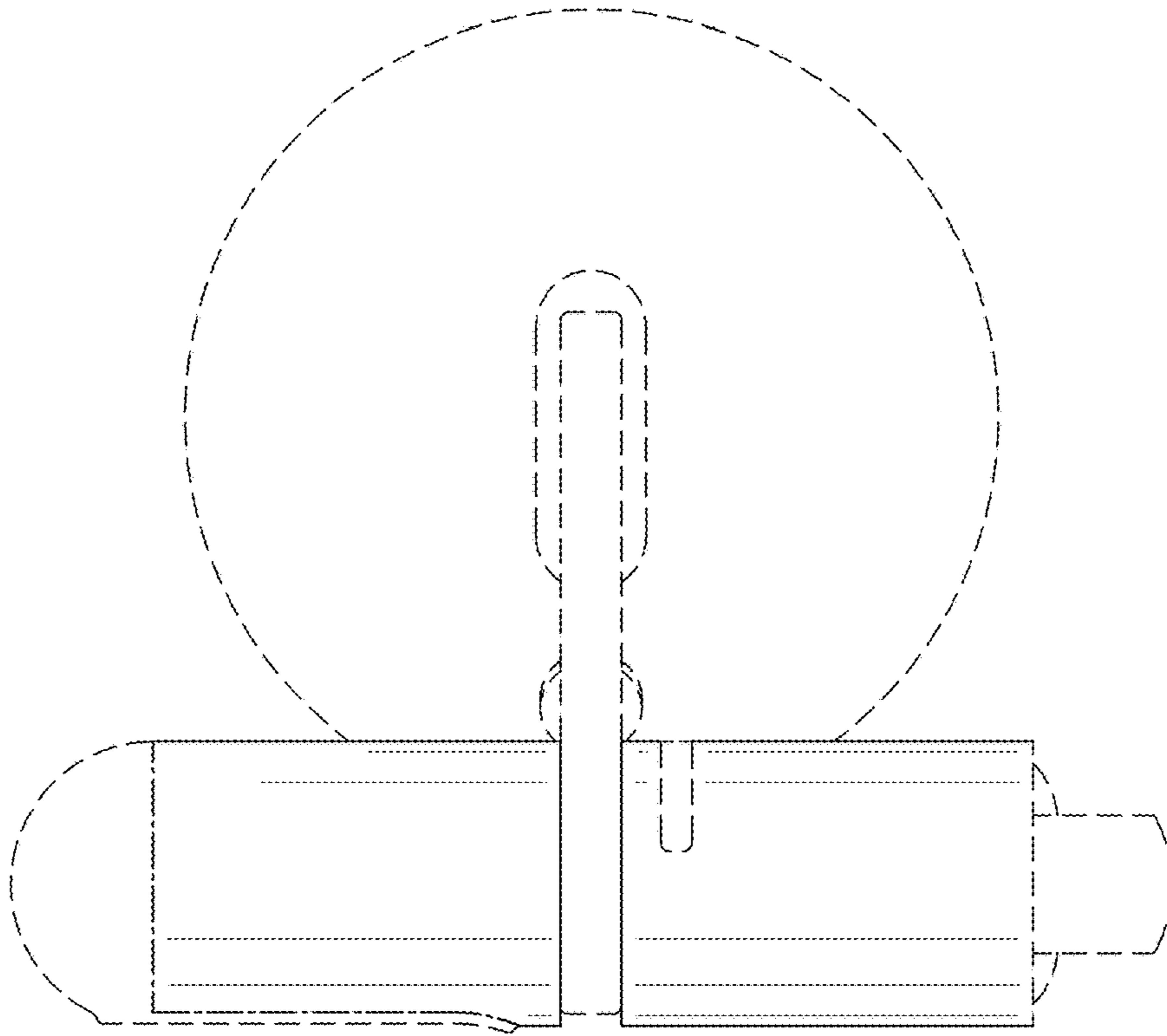


FIG. 13

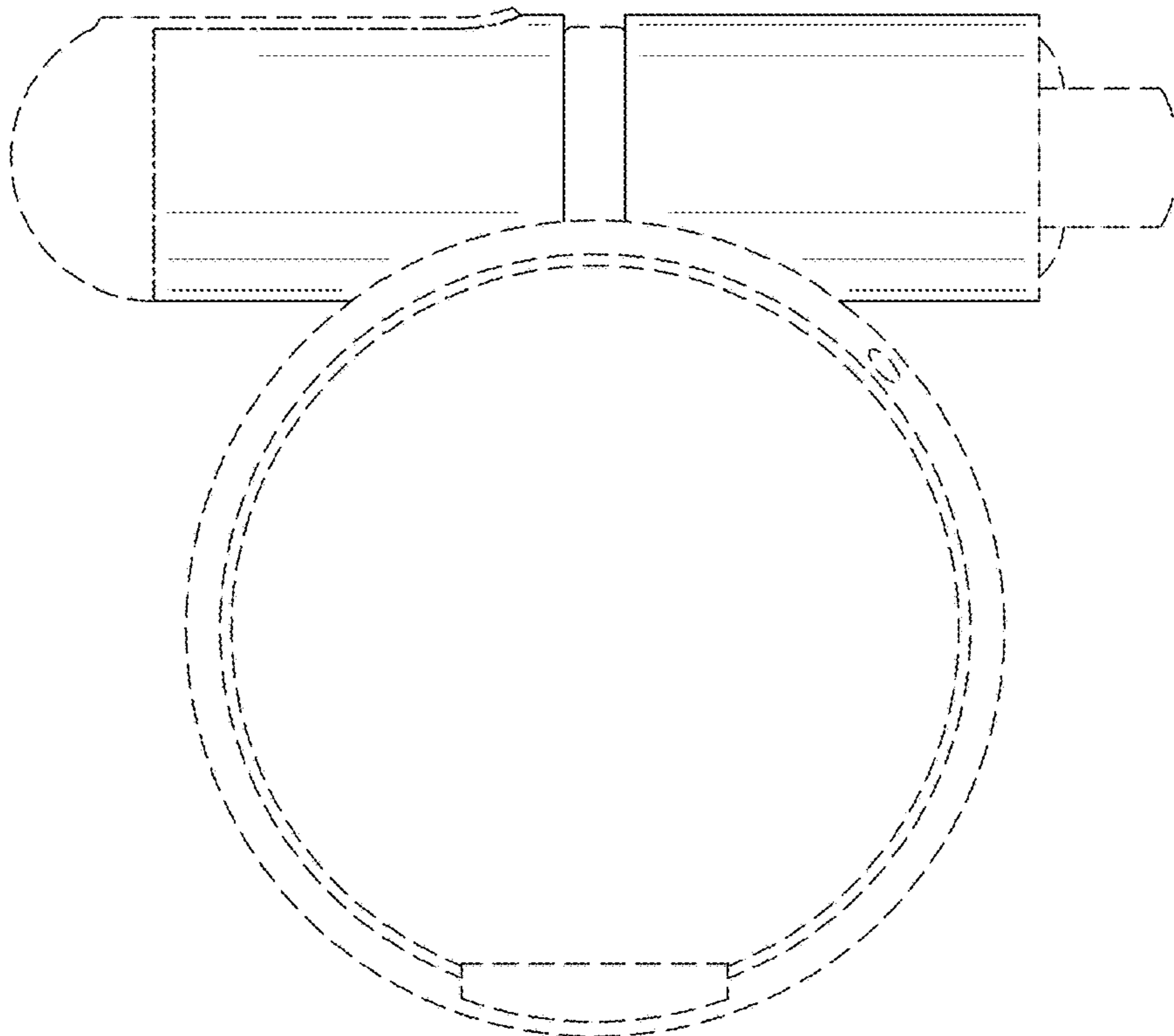


FIG. 14

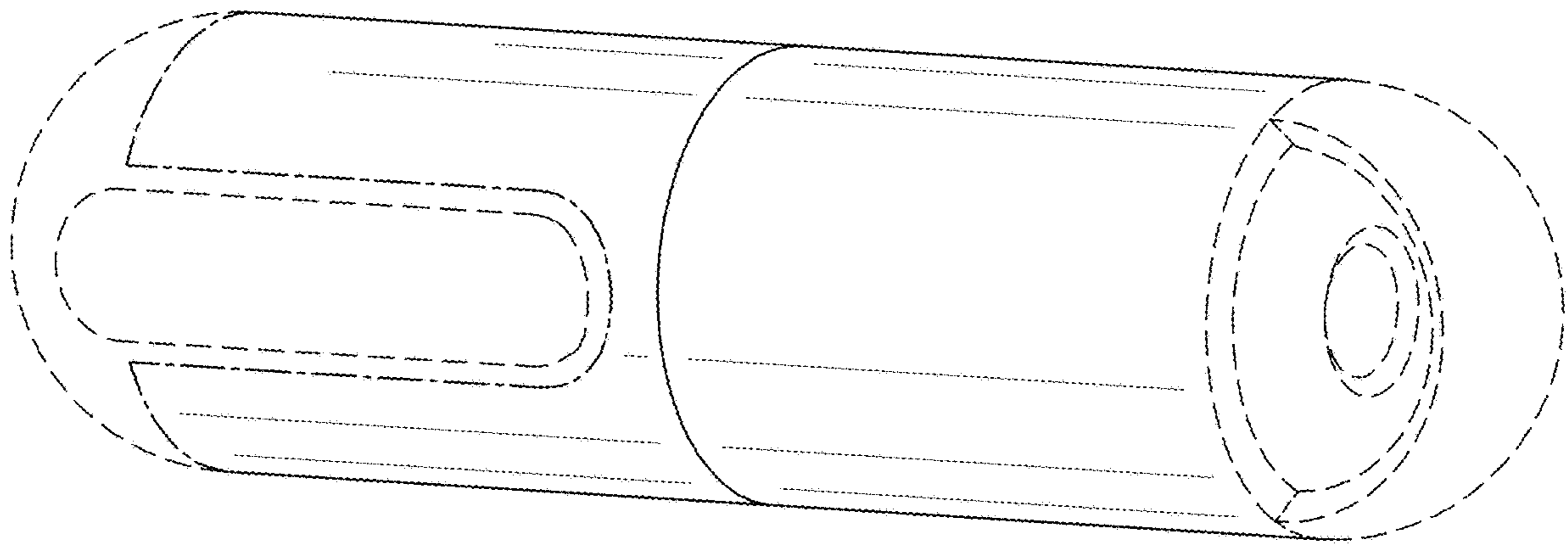


FIG. 15



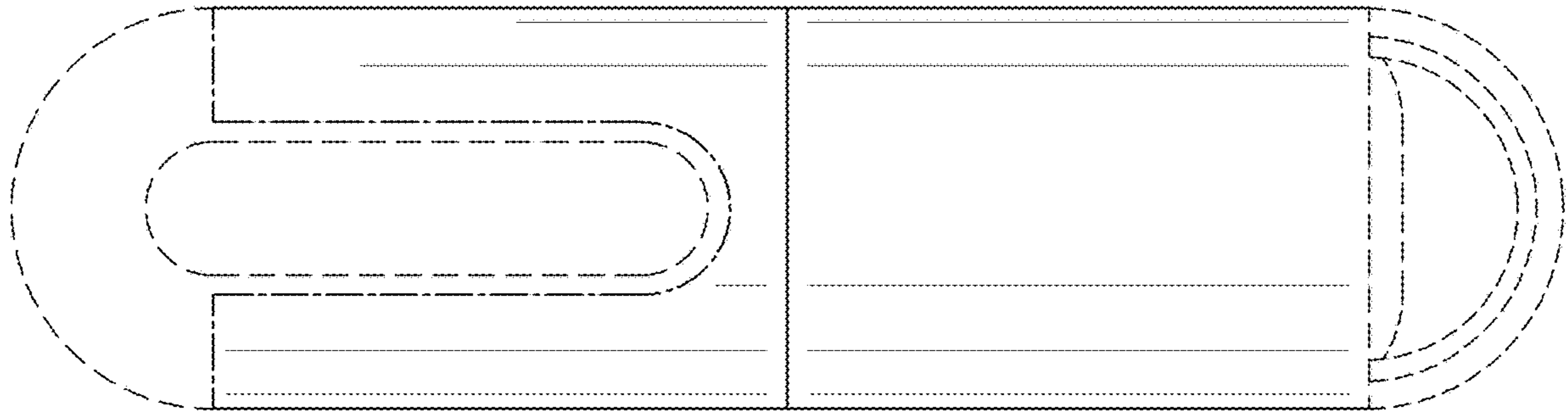


FIG. 16

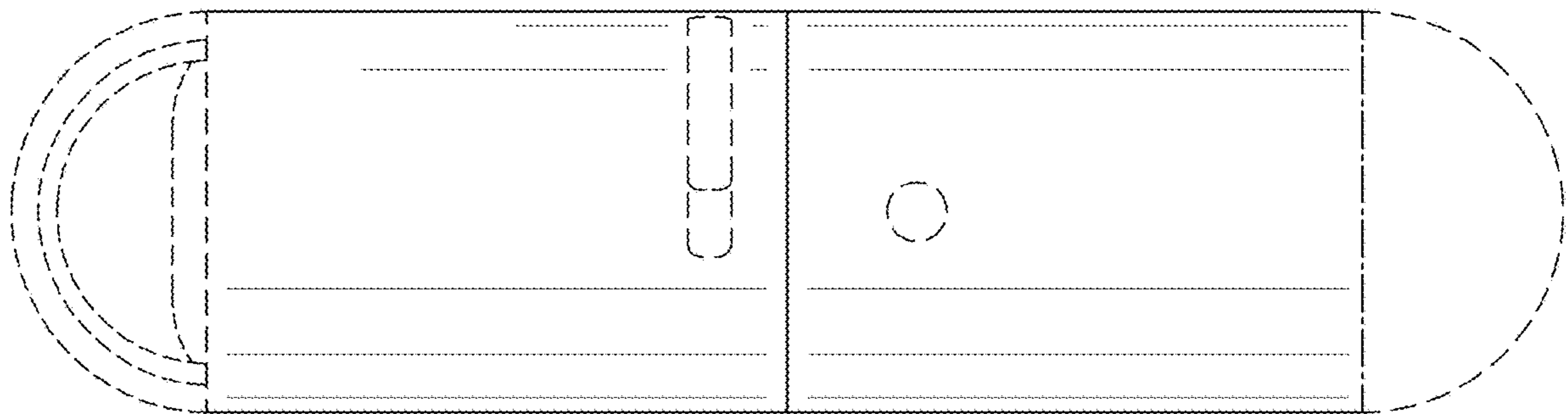


FIG. 17

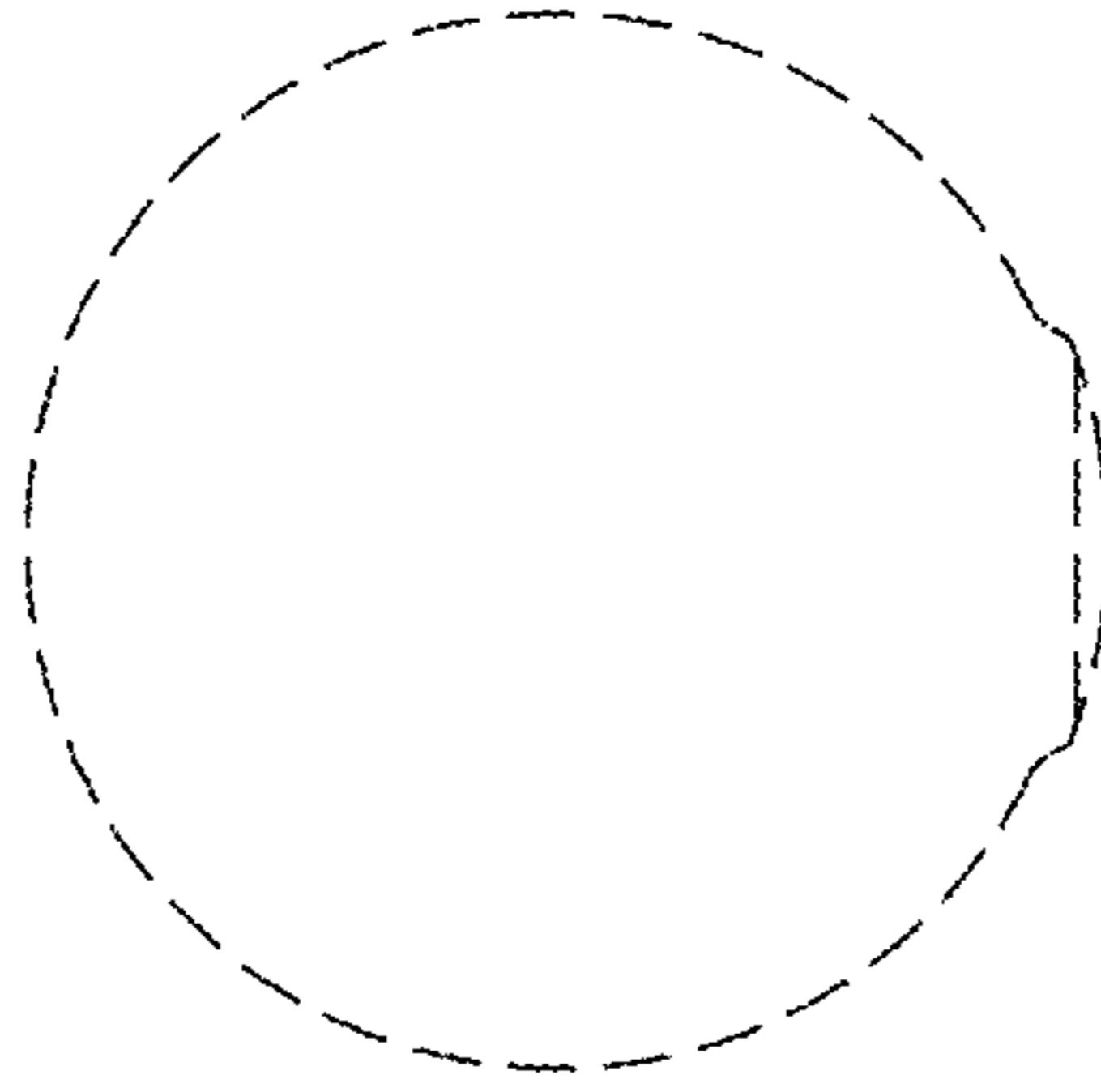


FIG. 18

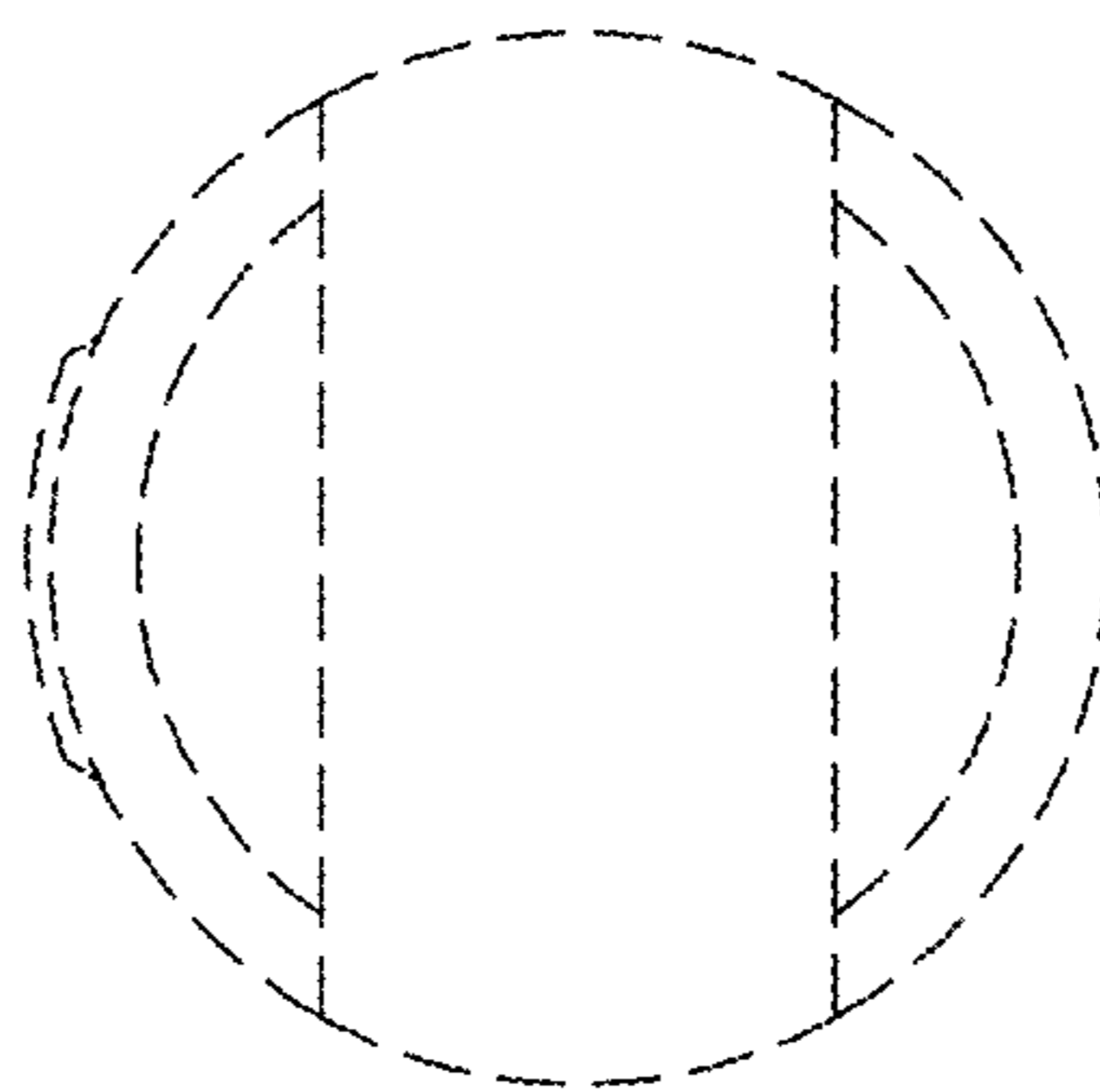


FIG. 19



FIG. 20

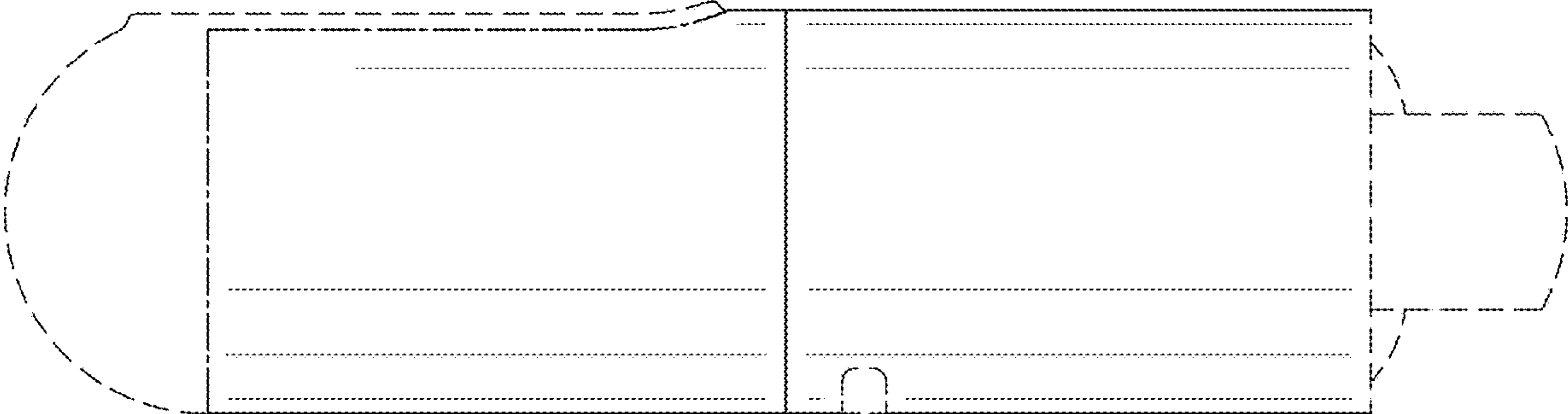


FIG. 21