



US00D888131S

(12) **United States Design Patent**
Redpath et al.

(10) **Patent No.:** **US D888,131 S**

(45) **Date of Patent:** **** Jun. 23, 2020**

(54) **OPTICAL MOUNT LIGHTING PROJECTION SYSTEM ENCLOSURE**

(71) Applicants: **Richard Redpath**, Cary, NC (US);
James Redpath, Cary, NC (US)

(72) Inventors: **Richard Redpath**, Cary, NC (US);
James Redpath, Cary, NC (US)

(**) Term: **15 Years**

(21) Appl. No.: **29/672,046**

(22) Filed: **Dec. 3, 2018**

(51) **LOC (12) Cl.** **16-02**

(52) **U.S. Cl.**
USPC **D16/235**; D16/221; D26/24

(58) **Field of Classification Search**
USPC D16/221, 225, 235; D21/514; D26/1,
D26/93, 104, 113, 118, 24, 47, 49, 67,
D26/73-74, 137; 353/119; 362/576,
362/145, 147, 364, 373
CPC F21Y 2101/00; F21V 3/02
See application file for complete search history.

(56) **References Cited**

U.S. PATENT DOCUMENTS

D43,644 S * 2/1913 Roffy D16/221
3,420,607 A * 1/1969 Zillmer G03B 21/001
353/100

D216,839 S * 3/1970 Rhoades D16/221
D264,344 S * 5/1982 Miller D16/221
D308,110 S * 5/1990 Ziaylek, Jr. D26/24
D384,430 S * 9/1997 Lecluze D26/24
D610,280 S * 2/2010 Hua D26/24
2013/0155686 A1* 6/2013 Burt F21V 5/04
362/294

* cited by examiner

Primary Examiner — Wan Laymon

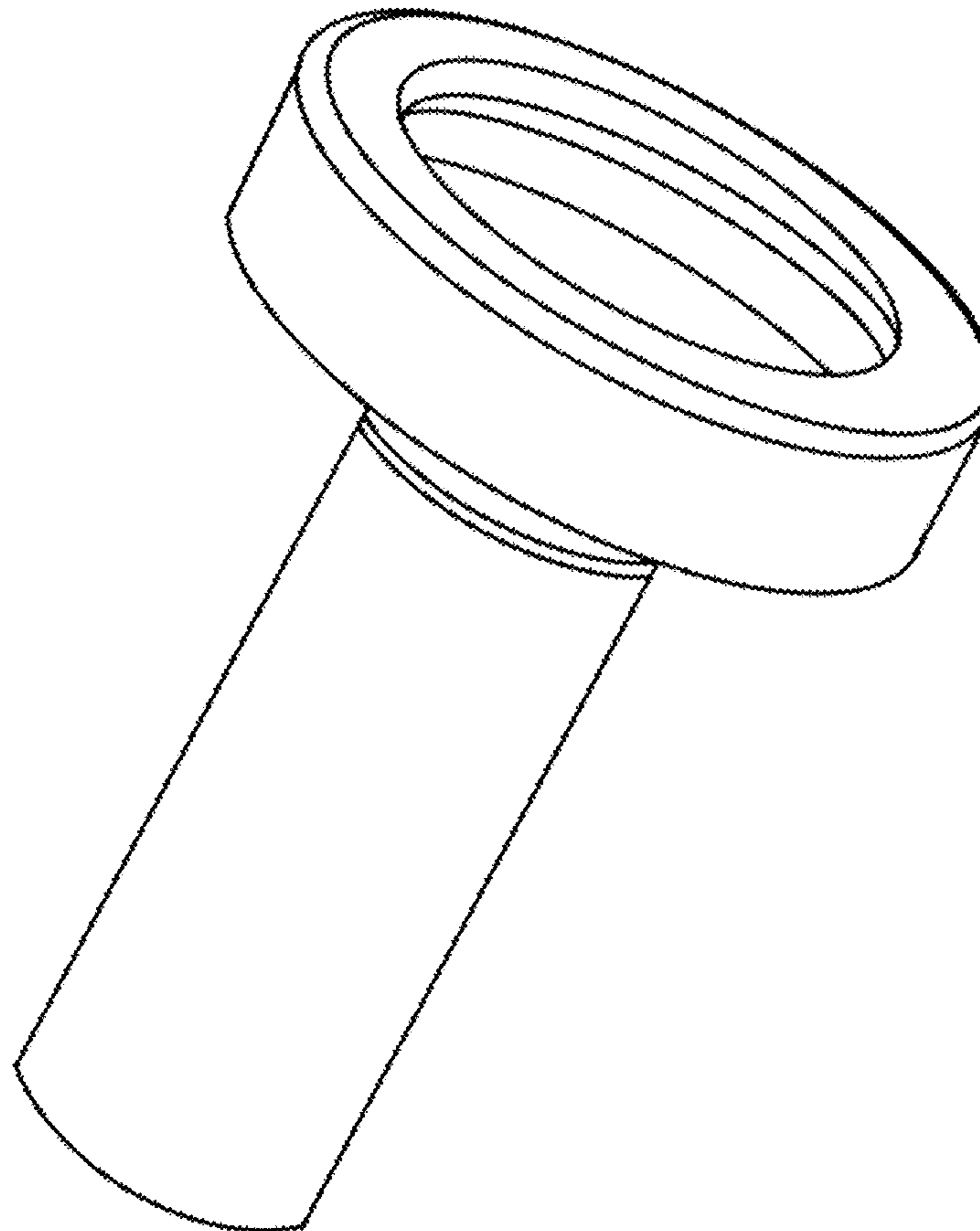
(57) **CLAIM**

The ornamental design for a optical mount lighting projection system enclosure, as shown and described.

DESCRIPTION

FIG. 1 is a perspective view of the optical mount lighting projection system enclosure of the invention showing my design;
FIG. 2 is a top view thereof;
FIG. 3 is a bottom view thereof; and,
FIG. 4 is a side view, the opposite side being a mirror image thereof.

1 Claim, 4 Drawing Sheets



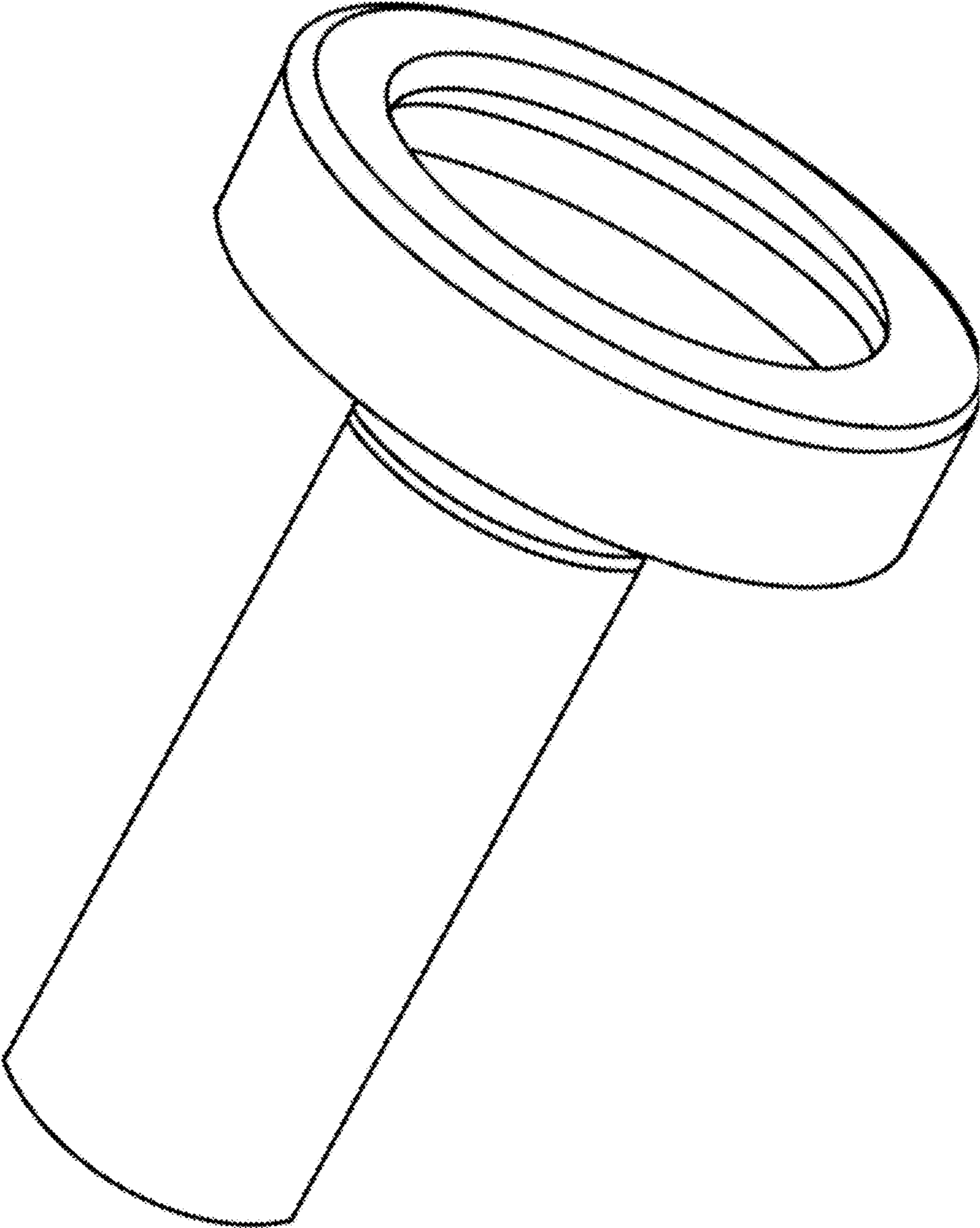


Fig. 1

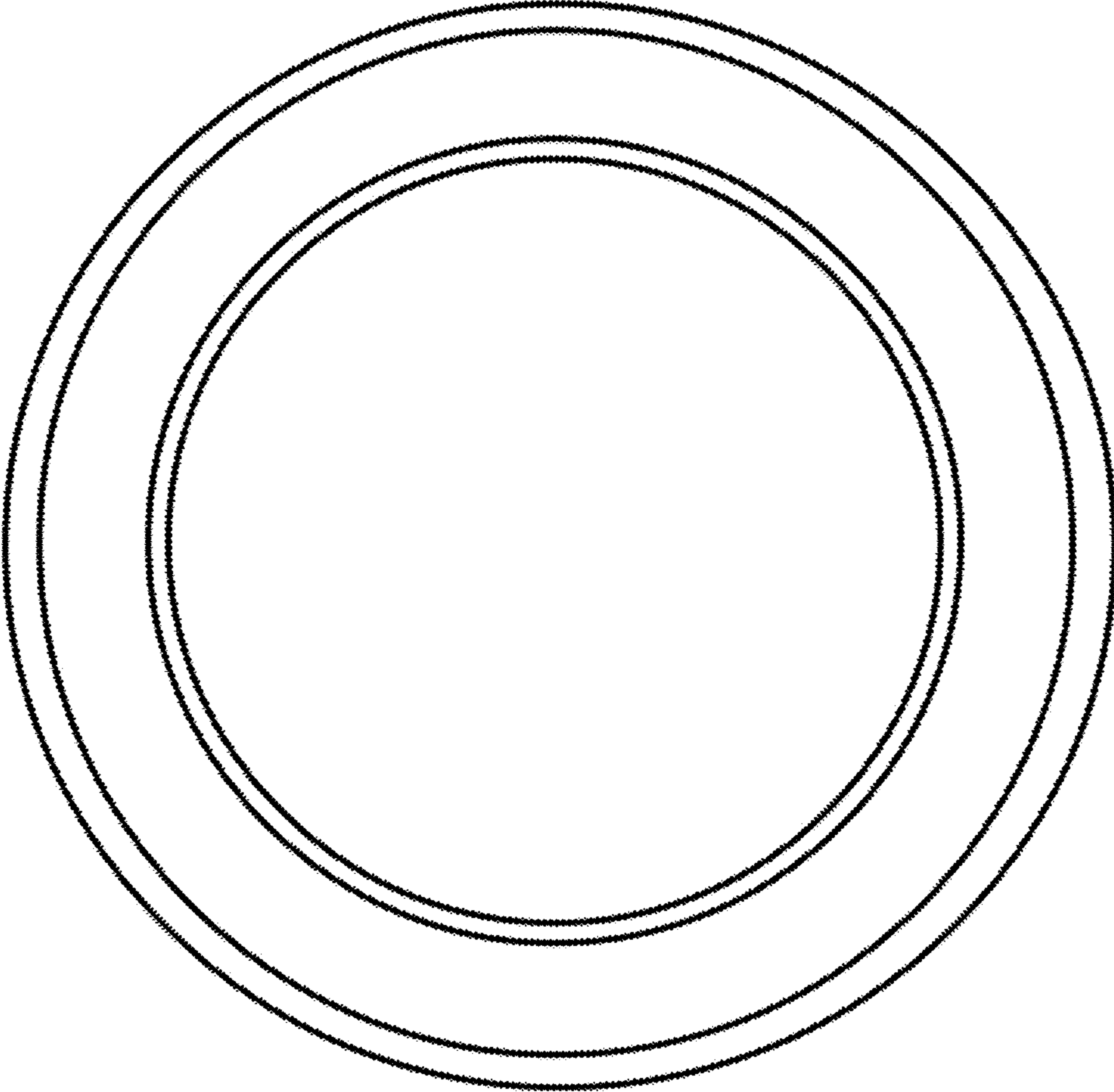


Fig. 2

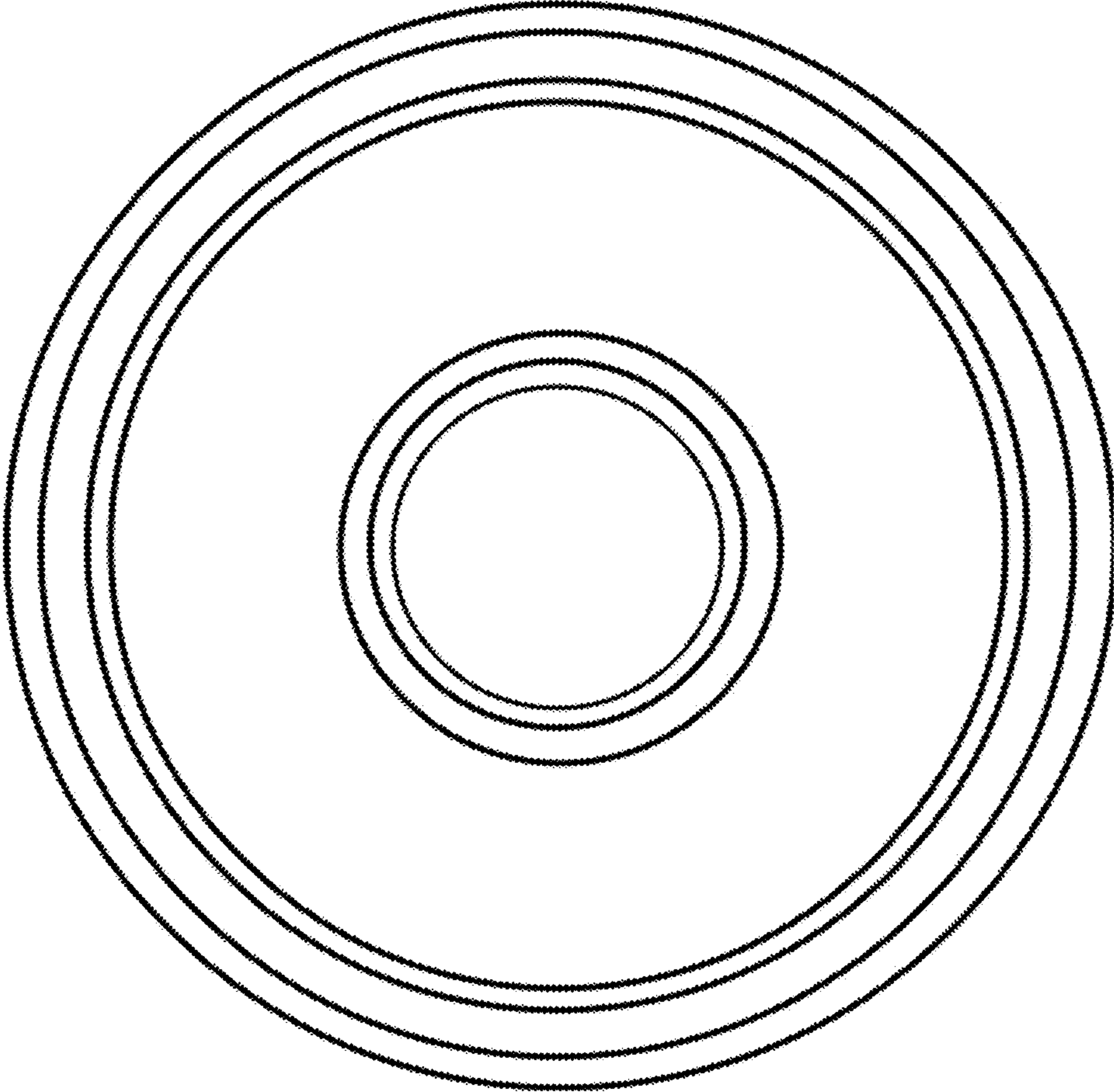


Fig. 3

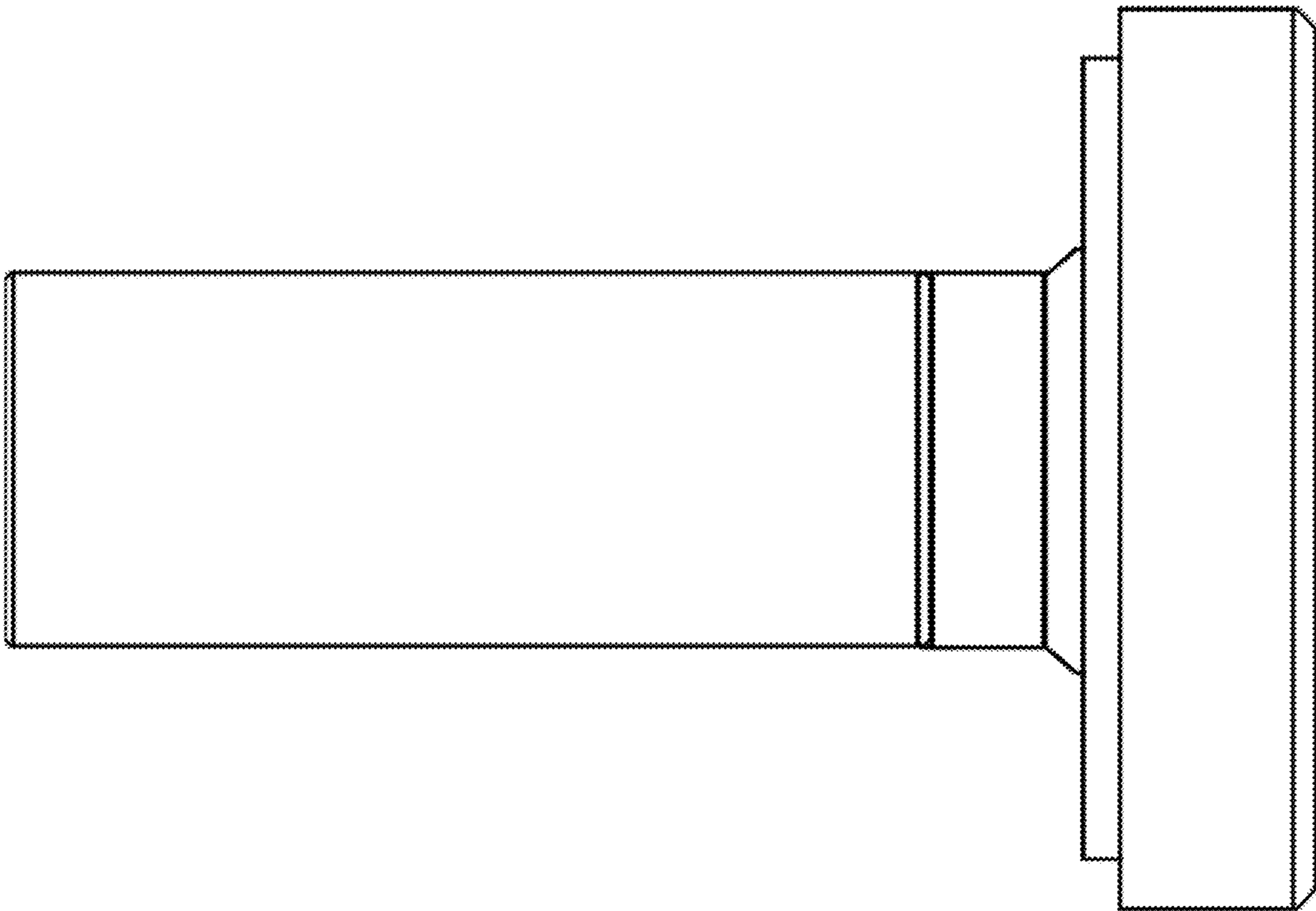


Fig. 4