



US00D888129S

(12) **United States Design Patent**  
**Lee et al.**

(10) **Patent No.:** **US D888,129 S**  
(45) **Date of Patent:** **\*\* Jun. 23, 2020**

(54) **SIDE VIEW CAMERA FOR VEHICLE**

(71) Applicant: **D.PARTNERS Co., Ltd**, Seoul (KR)

(72) Inventors: **Harneul Lee**, Seoul (KR); **Sung Hyun Cho**, Goyang-si (KR); **Sungmin Yoo**, Goyang-si (KR); **Jongeun Ha**, Seoul (KR); **Dong-joo Shin**, Seoul (KR); **Dongpyo Kim**, Seoul (KR)

(73) Assignee: **D.PARTNERS Co., Ltd**, Seoul (KR)

(\*\*) Term: **15 Years**

(21) Appl. No.: **29/671,091**

(22) Filed: **Nov. 22, 2018**

(51) **LOC (12) Cl.** ..... **16-01**

(52) **U.S. Cl.**  
USPC ..... **D16/208; D12/187**

(58) **Field of Classification Search**  
USPC ..... D16/200–220, 131, 132, 237, 242, 239, D16/250, 235, 130, 134, 136, 238, 243; D14/417, 138 C, 240, 248, 203.1, 203.3, D14/203.7, 218, 207, 440, 402, 454, 407, D14/408, 252, 253; D10/104.1, 50, 65, D10/74, 70, 118.2, 66; D30/199; D29/102, 122, 103; D3/269, 267; D12/187  
CPC ..... G03B 17/00; G03B 17/02; G03B 17/56; G03B 17/04; G03B 17/14; G03B 17/08; G03B 15/03; G03B 15/06; H04N 1/00981; H04N 5/2251; H04N 5/2252; H04N 5/2253; H04N 5/2254; H04N 5/23238; H04N 7/00; H04N 13/239; H04N 2101/00; F16M 13/00  
See application file for complete search history.

(56) **References Cited**

**U.S. PATENT DOCUMENTS**

4,630,904 A \* 12/1986 Pastore ..... B60R 1/12  
359/636  
D428,840 S \* 8/2000 Weidhase ..... D12/187

D432,473 S \* 10/2000 Sieber ..... D12/187  
D433,432 S \* 11/2000 Prather ..... D16/202  
D468,670 S \* 1/2003 Warming ..... D12/187  
D484,837 S \* 1/2004 Liu ..... D12/187  
D545,739 S \* 7/2007 Sasaki ..... D12/187  
D549,625 S \* 8/2007 Pfeiffer ..... D12/187  
D551,606 S \* 9/2007 Pfeiffer ..... D12/187  
D559,162 S \* 1/2008 Saridakis ..... D12/187  
D565,489 S \* 4/2008 Lee ..... D12/187

(Continued)

**OTHER PUBLICATIONS**

Camera Wing Mirror, published Nov. 24, 2012 [online], [retrieved Jan. 5, 2020], Available from Internet, URL: <https://www.deviantart.com/mickeyd101/art/Camera-Wing-Mirror-339484572>.\*

*Primary Examiner* — T Chase Nelson

*Assistant Examiner* — Mary Claire Ramirez

(74) *Attorney, Agent, or Firm* — Revolution IP, PLLC

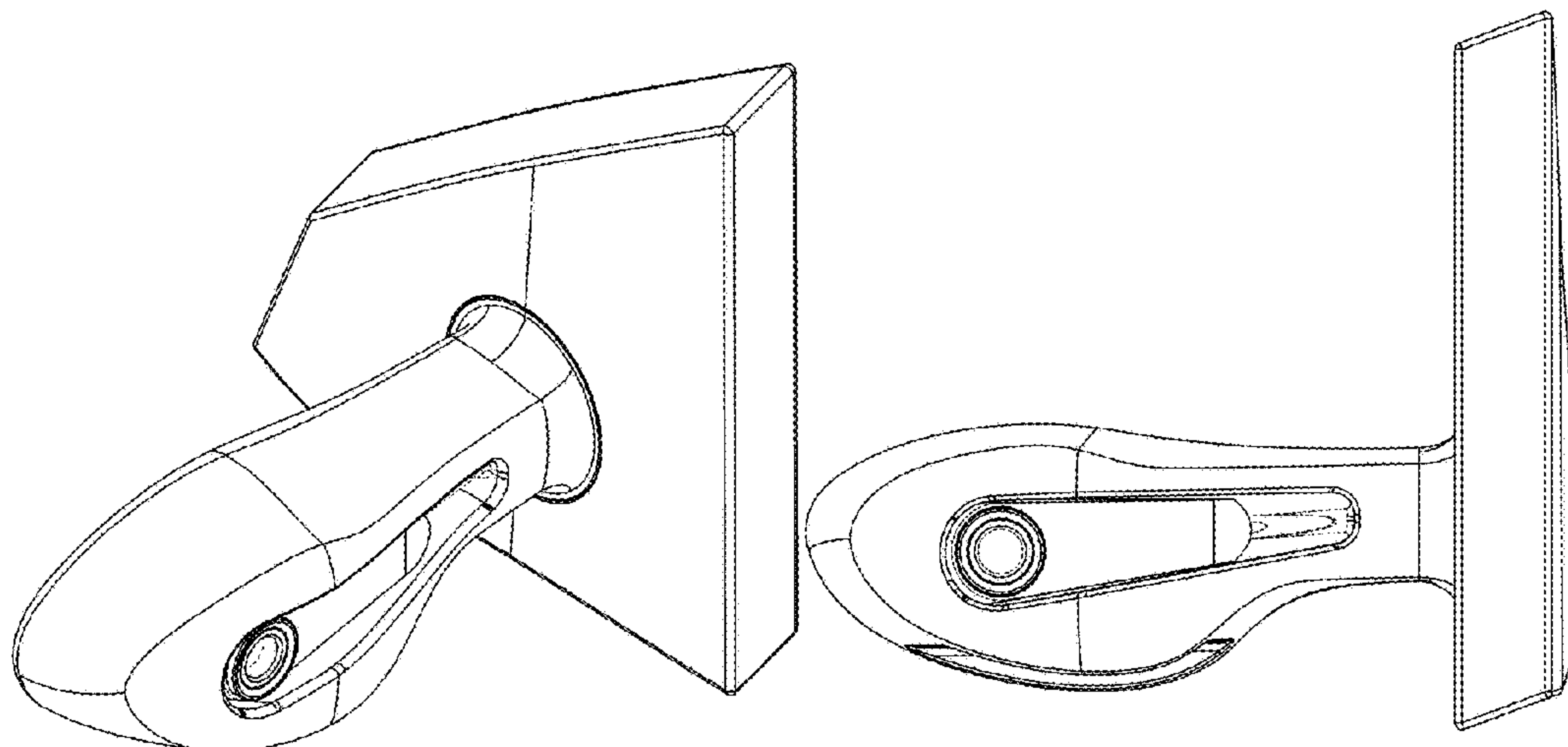
(57) **CLAIM**

The ornamental design for a side view camera for vehicle, as shown and described.

**DESCRIPTION**

FIG. 1 is a perspective view of a side view camera for vehicle showing the new design;  
FIG. 2 is a front view thereof;  
FIG. 3 is a rear view thereof;  
FIG. 4 is a left side view thereof;  
FIG. 5 is a right side view thereof;  
FIG. 6 is a top view thereof;  
FIG. 7 is a bottom view thereof; and,  
FIG. 8 is a view illustrating a state in which the camera portion of the side view camera for vehicle is rotated 90 degrees counterclockwise.  
The broken lines in the drawings depict portions of the side view camera for vehicle and form no part of the claimed design.

**1 Claim, 8 Drawing Sheets**



(56)

References Cited

U.S. PATENT DOCUMENTS

D567,160 S \* 4/2008 Baum ..... D12/187  
 D568,218 S \* 5/2008 Markefka ..... D12/187  
 7,377,675 B2 \* 5/2008 Pastrick ..... B60Q 1/2665  
 359/841  
 D571,698 S \* 6/2008 Imai ..... D12/187  
 D575,707 S \* 8/2008 Futschik ..... D12/187  
 D579,838 S \* 11/2008 Habib ..... D12/187  
 D584,669 S \* 1/2009 Watabe ..... D12/187  
 D586,276 S \* 2/2009 Pfeiffer ..... D12/187  
 D587,638 S \* 3/2009 Futschik ..... D12/187  
 D601,935 S \* 10/2009 Bauer ..... D12/187  
 D607,799 S \* 1/2010 Takabatake ..... D12/187  
 D612,310 S \* 3/2010 Guntrum ..... D12/187  
 D619,066 S \* 7/2010 Golden ..... D12/187  
 D621,313 S \* 8/2010 Kimura ..... D12/187  
 D636,307 S \* 4/2011 Lamm ..... D12/187  
 D654,414 S \* 2/2012 Elmitt ..... D12/187  
 D659,617 S \* 5/2012 Brockington ..... D12/187  
 D691,076 S \* 10/2013 Vincent ..... D12/187  
 D691,532 S \* 10/2013 Chen ..... D12/187

D702,167 S \* 4/2014 Hakamata ..... D12/187  
 D702,611 S \* 4/2014 Borkert ..... D12/187  
 D703,120 S \* 4/2014 Nordmann ..... D12/187  
 D709,810 S \* 7/2014 Platto ..... D12/187  
 D727,230 S \* 4/2015 Kao ..... D12/187  
 D761,171 S \* 7/2016 Roth ..... D12/187  
 D763,151 S \* 8/2016 Hamlin ..... D12/187  
 D798,208 S \* 9/2017 Zavatski ..... D12/187  
 D809,442 S \* 2/2018 Zipfel ..... D12/187  
 D835,171 S \* 12/2018 Nose ..... D16/132  
 D842,783 S \* 3/2019 Miyazawa ..... D12/187  
 D854,991 S \* 7/2019 Whitla ..... D12/187  
 D874,540 S \* 2/2020 Ostreko ..... D16/208  
 D875,810 S \* 2/2020 Hohnl ..... D16/208  
 2003/0147164 A1 \* 8/2003 Chan ..... B60R 1/082  
 359/868  
 2005/0174645 A1 \* 8/2005 Boddy ..... B60Q 1/2665  
 359/599  
 2005/0200987 A1 \* 9/2005 Pavao ..... B60R 1/025  
 359/871  
 2006/0050423 A1 \* 3/2006 Secanu ..... B60R 1/06  
 359/871

\* cited by examiner

FIG. 1

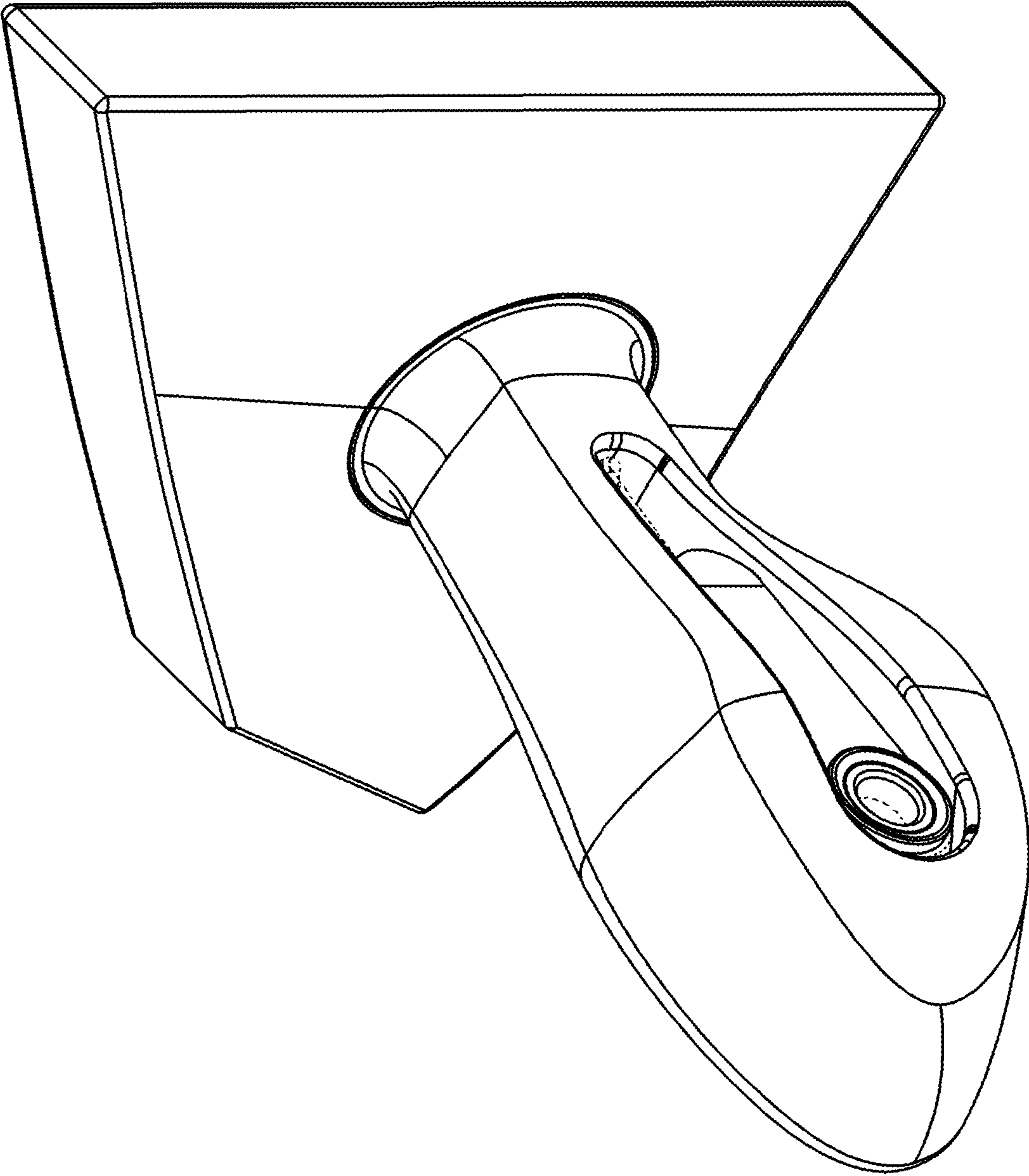


FIG. 2

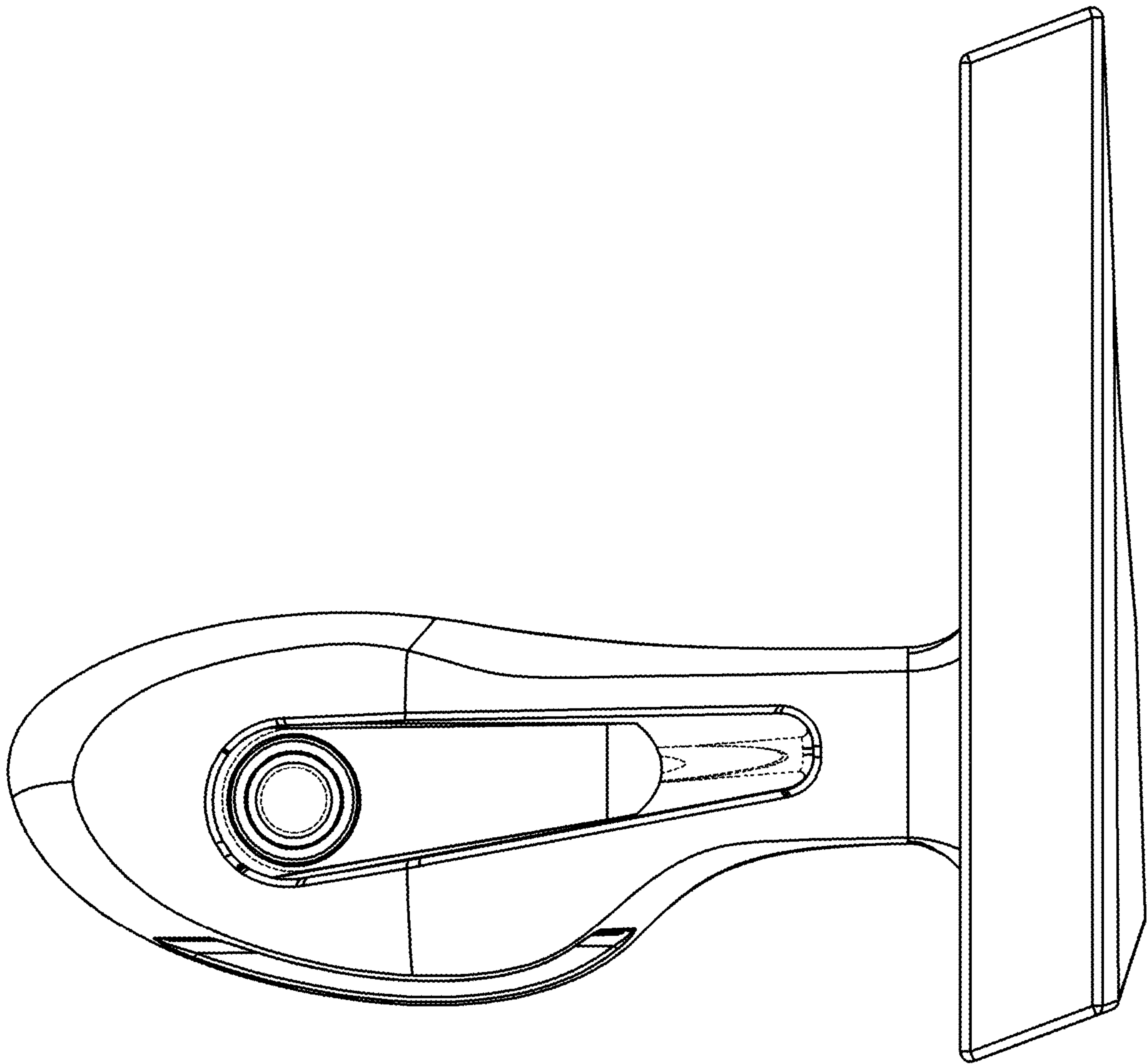




FIG. 3

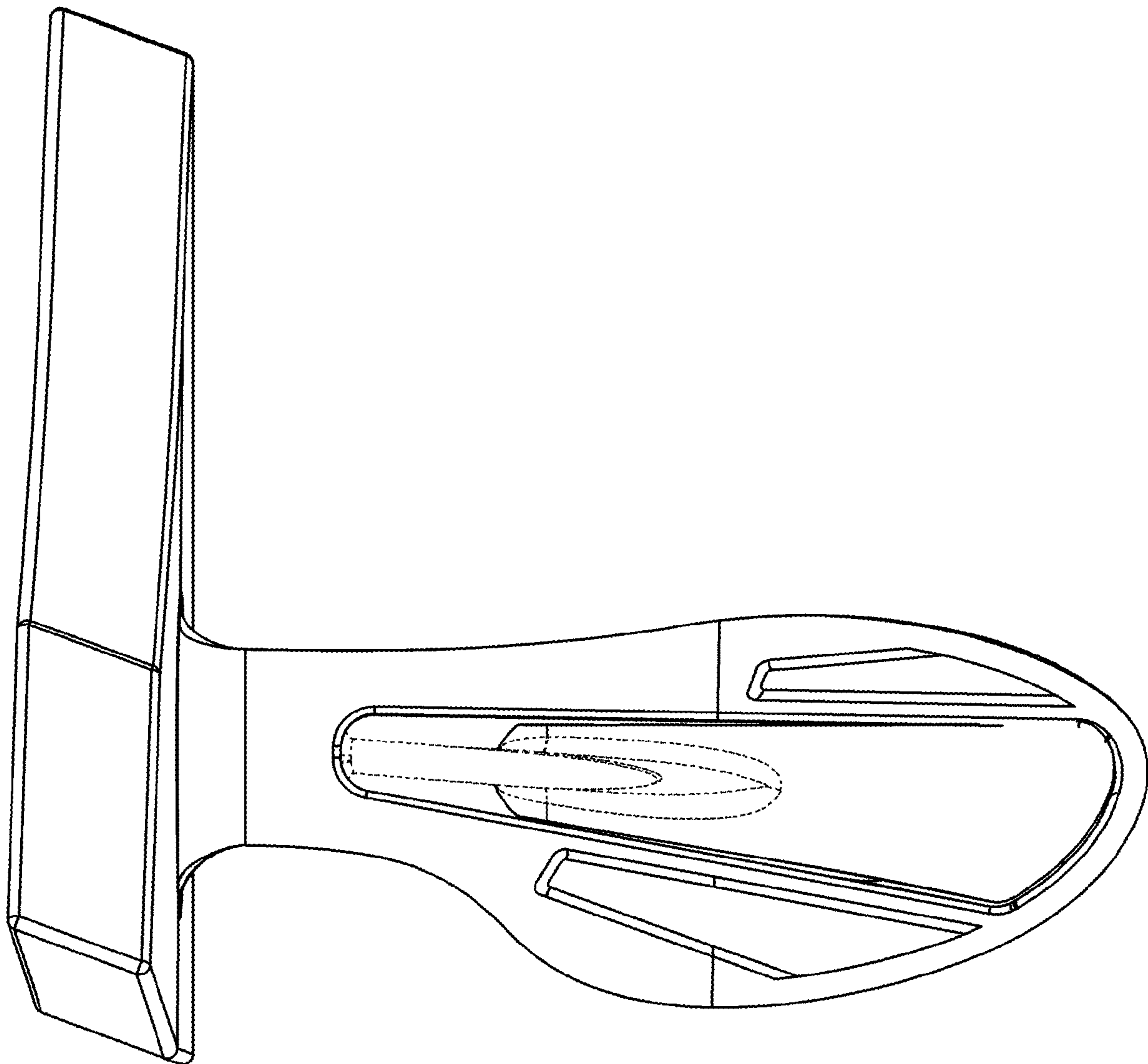


FIG. 4

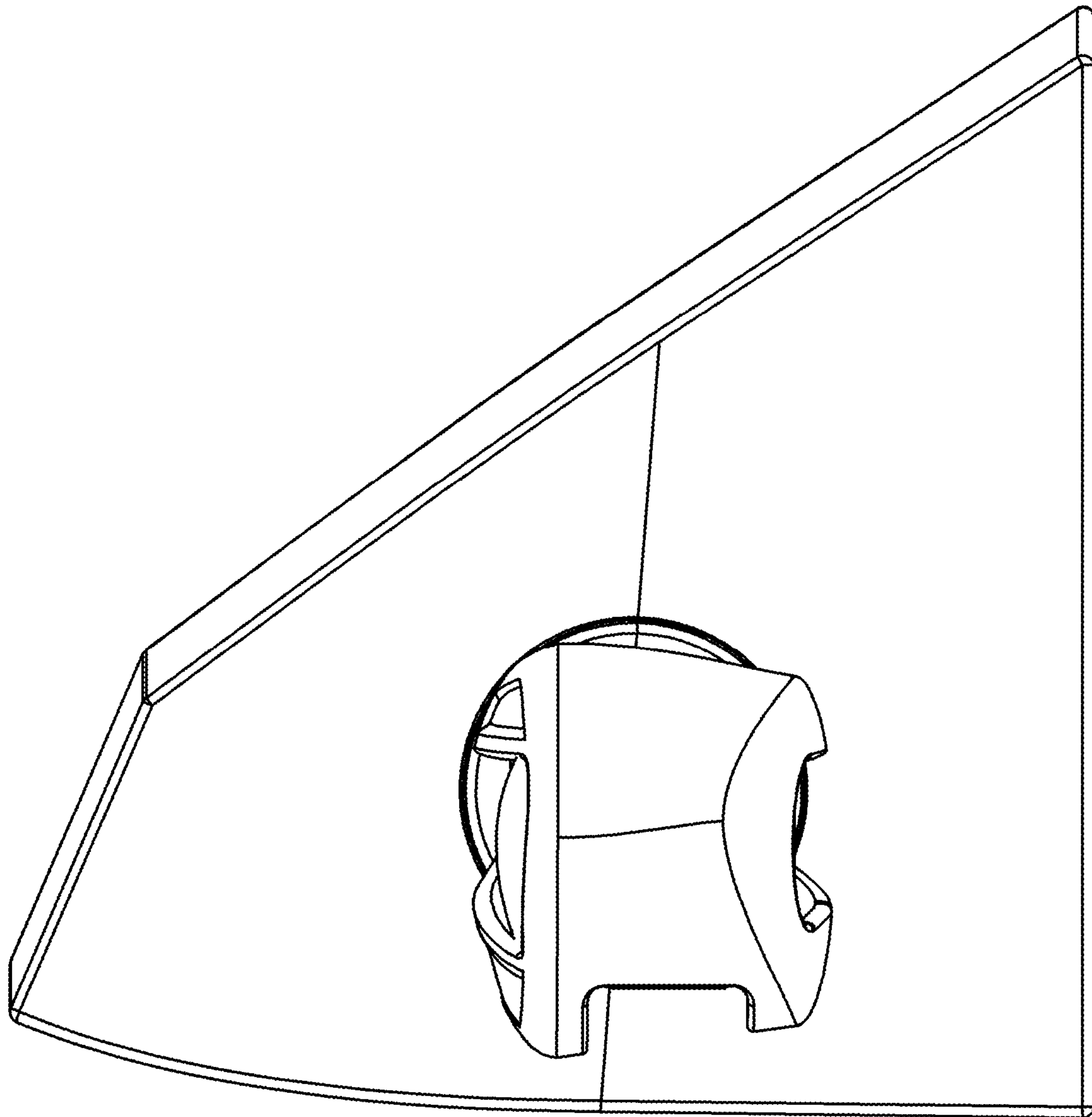


FIG. 5

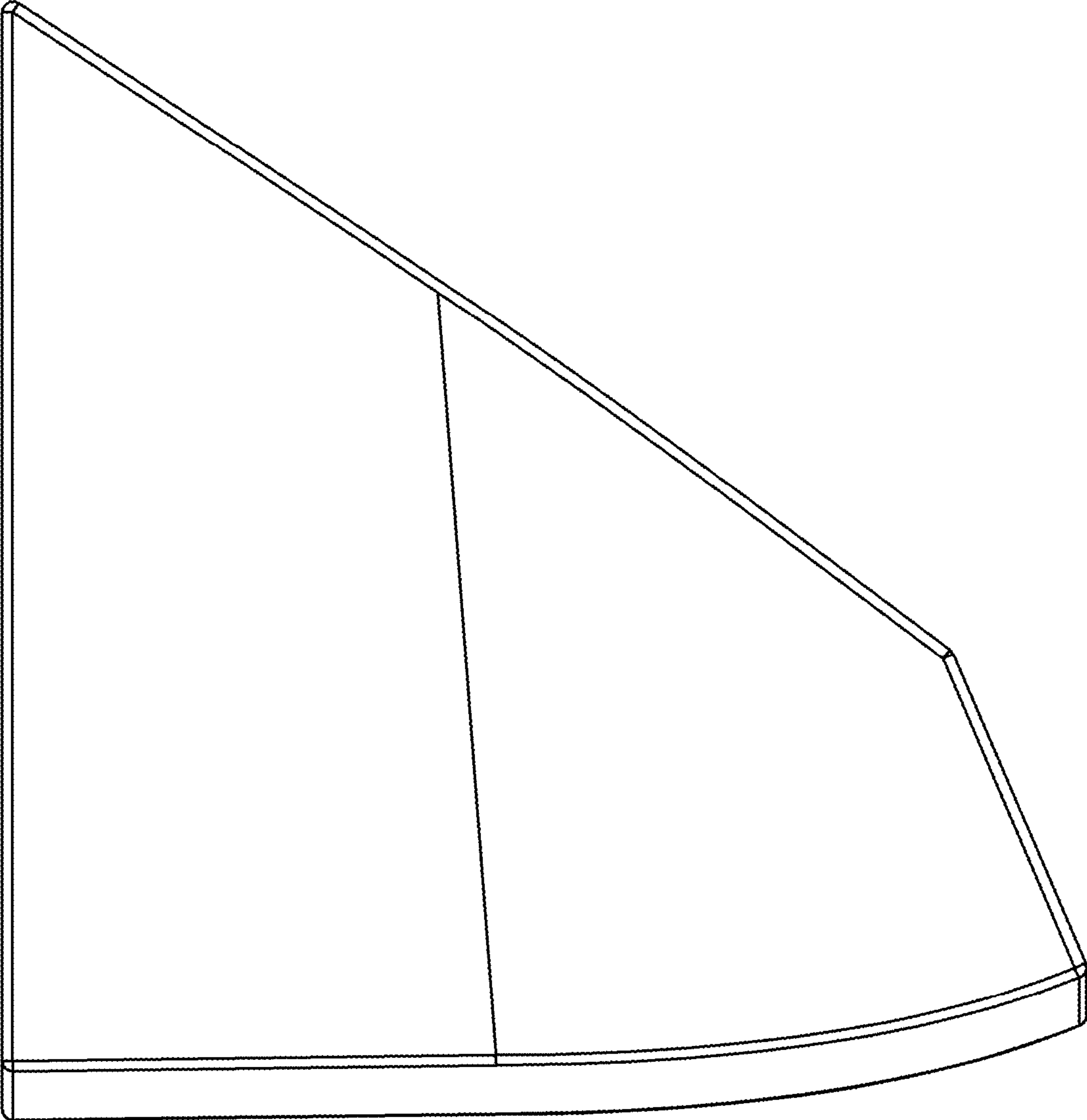


FIG. 6

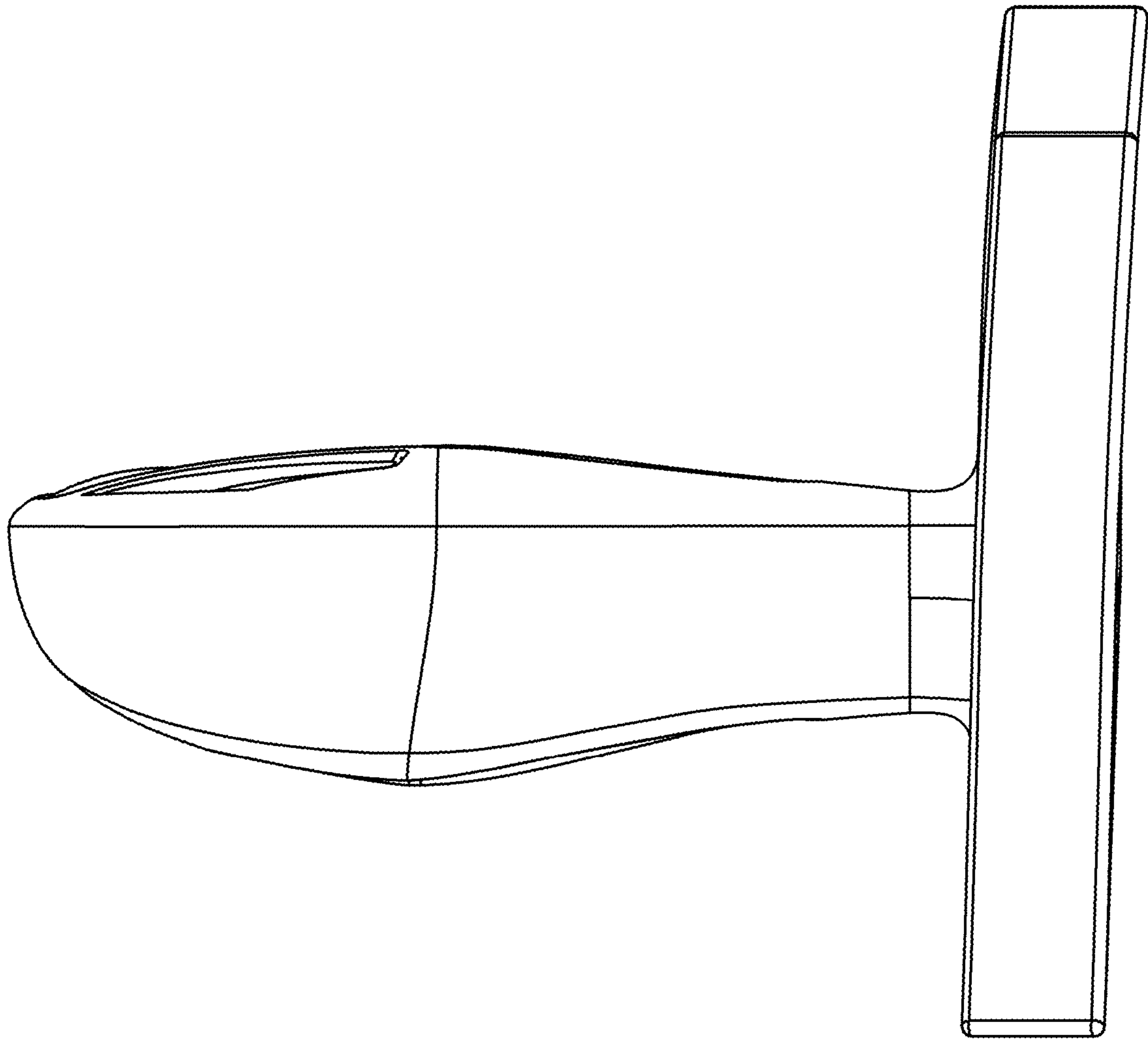




FIG. 7

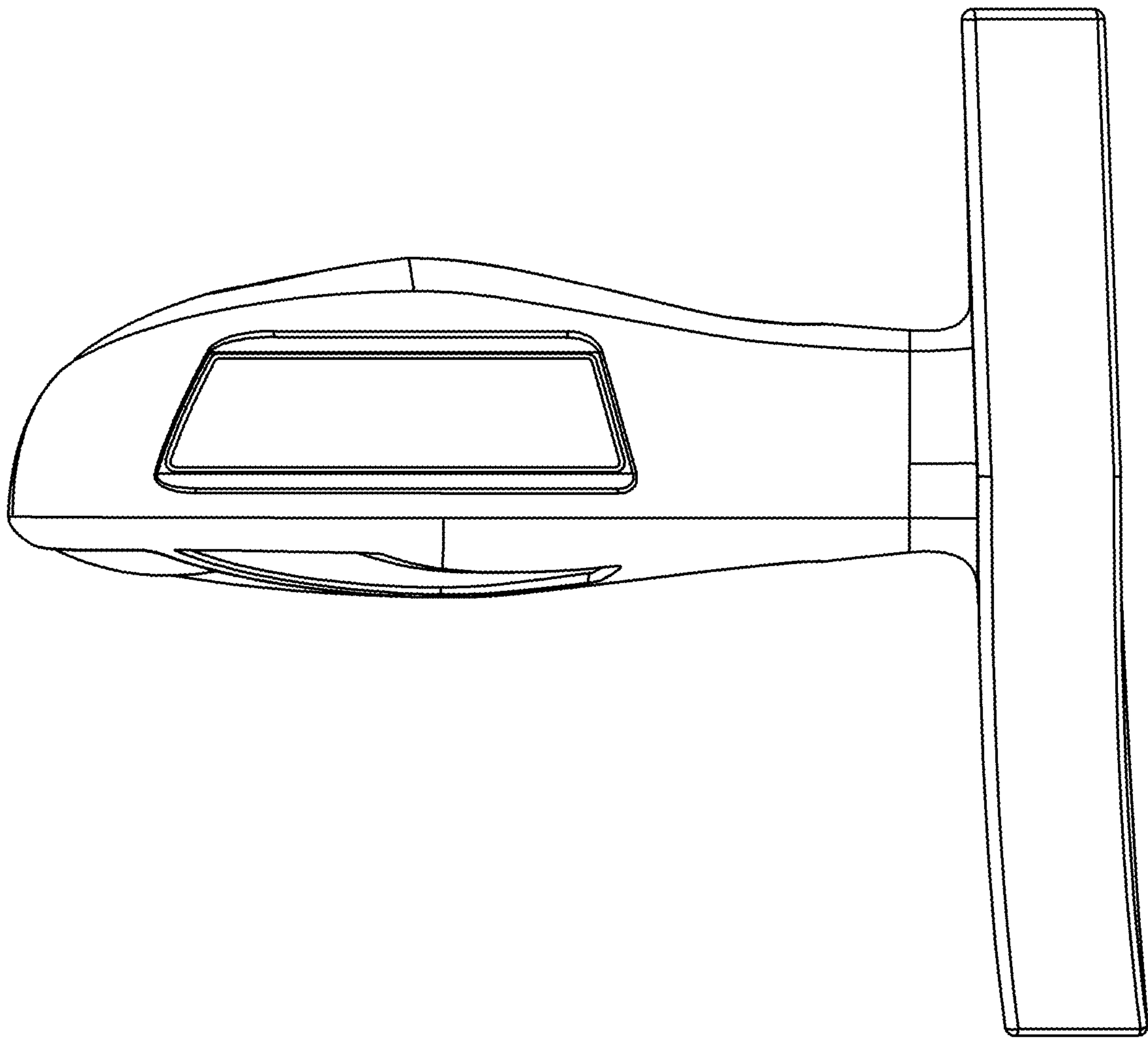


FIG. 8

