



US00D888128S

(12) **United States Design Patent** (10) **Patent No.:** **US D888,128 S**  
**Walter et al.** (45) **Date of Patent:** **\*\* Jun. 23, 2020**

(54) **CAMERA**

(71) Applicant: **Axis AB**, Lund (SE)

(72) Inventors: **Mathias Walter**, Lund (SE); **Daniel Åhman**, Lund (SE); **Mariano Vozzi**, Lund (SE); **Malte Bokvist**, Lund (SE); **Fredrik Axelsson**, Lund (SE)

(73) Assignee: **AXIS AB**, Lund (SE)

(\*\*) Term: **15 Years**

(21) Appl. No.: **29/714,512**

(22) Filed: **Nov. 23, 2019**

**Related U.S. Application Data**

(62) Division of application No. 29/654,442, filed on Jun. 25, 2018.

(30) **Foreign Application Priority Data**

Jan. 15, 2018 (EM) ..... 004665966-0004  
Jan. 15, 2018 (EM) ..... 004665966-0005

(51) **LOC (12) Cl.** ..... **16-01**

(52) **U.S. Cl.**  
USPC ..... **D16/203**

(58) **Field of Classification Search**

USPC ..... D16/200-220, 131, 237, 242, 239, 250,  
D16/235, 130, 134, 136, 238;  
D14/138 C, 240, 248, 203.1, 203.3, 203.7,  
D14/218, 207; D10/104.1, 50, 65, 74,  
D10/70, 118.2  
CPC . G02B 7/02; G02B 7/021; G02B 7/04; G02B  
7/14; G02B 7/003; G03B 17/00; G03B  
17/02; G03B 17/56; G03B 17/04; G03B  
17/14; G03B 17/08; G03B 15/03; G03B  
15/06; H04N 5/2251; H04N 5/2252;  
H04N 5/2253; H04N 5/2254; H04N 7/00;  
H04N 2101/00; F16M 13/00  
See application file for complete search history.

(56) **References Cited**

U.S. PATENT DOCUMENTS

D278,317 S ‡ 4/1985 Jelvestam ..... D10/101  
D452,696 S ‡ 1/2002 Fenton ..... D16/203  
D467,676 S \* 12/2002 Packer ..... D26/72  
(Continued)

FOREIGN PATENT DOCUMENTS

EM 002967810 ‡ 2/2016  
EM 003514991 ‡ 12/2016

OTHER PUBLICATIONS

Axis Communications Companion Eye mini L 2MP Network Dome Camera with Night Vision, published 2019 [online], [retrieved Sep. 23, 2019], Available from Internet: URL: [https://www.bhphotovideo.com/c/product/1454523-REG/axis\\_communications\\_01064\\_001\\_companion\\_eye\\_mini\\_l.html](https://www.bhphotovideo.com/c/product/1454523-REG/axis_communications_01064_001_companion_eye_mini_l.html). ‡

*Primary Examiner* — T Chase Nelson

*Assistant Examiner* — Mary Claire Ramirez

(74) *Attorney, Agent, or Firm* — Tucker Ellis LLP

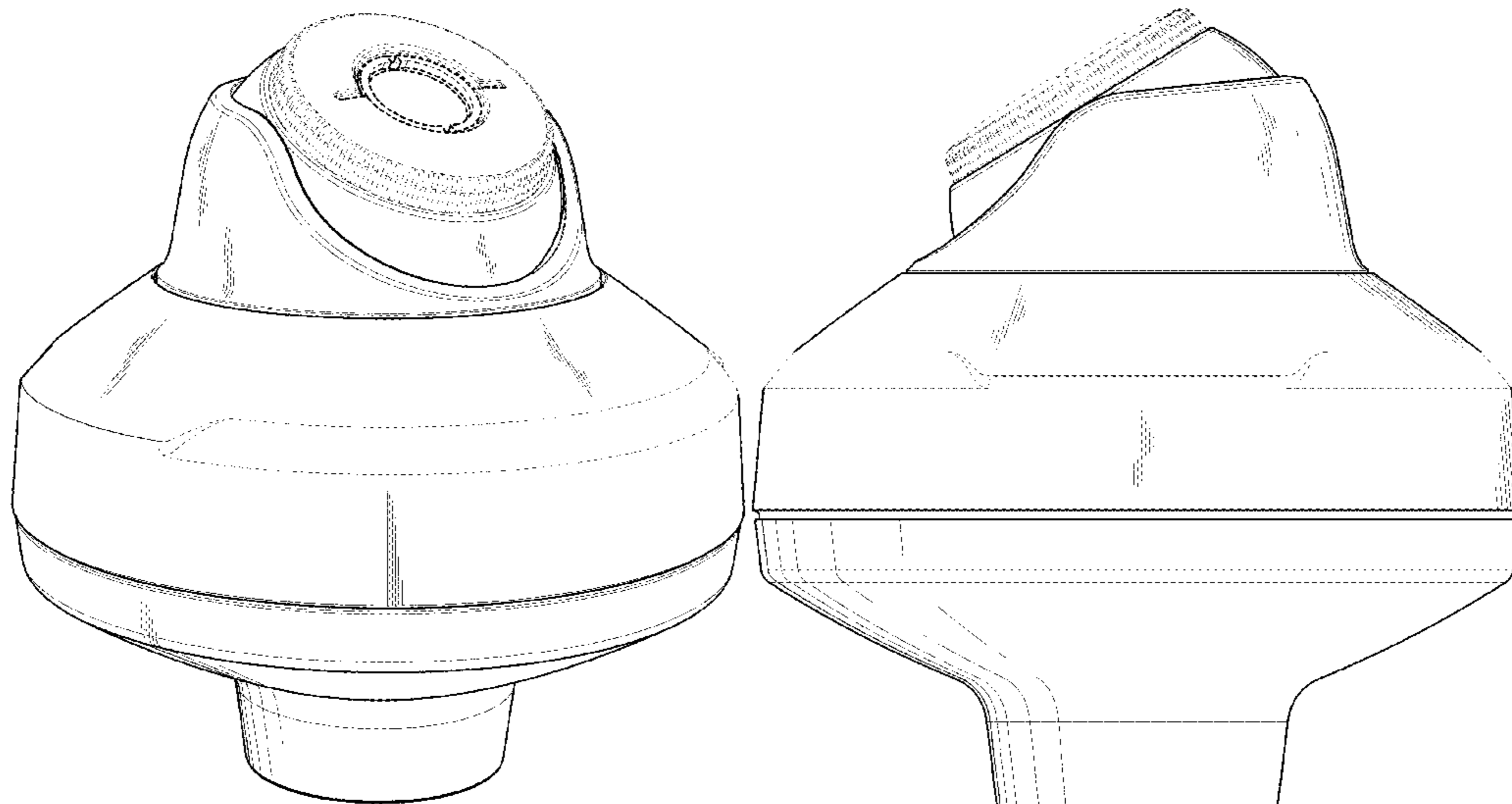
(57) **CLAIM**

The ornamental design for a camera, as shown and described.

**DESCRIPTION**

FIG. 1 is a perspective view of a camera showing our new design;  
FIG. 2 is a front view thereof;  
FIG. 3 is a rear view thereof;  
FIG. 4 is a left side view thereof;  
FIG. 5 is a right side view thereof;  
FIG. 6 is a top view thereof; and,  
FIG. 7 is a bottom view thereof.  
The broken lines are for the purpose of illustrating portions of the camera and form no part of the claimed design.

**1 Claim, 7 Drawing Sheets**



(56)

References Cited

U.S. PATENT DOCUMENTS

D472,260 S † 3/2003 Higgins ..... D16/203  
 D567,988 S \* 4/2008 Lissoni ..... D26/88  
 D600,152 S † 9/2009 Stack ..... D10/104.1  
 D626,984 S † 11/2010 Miyaji ..... D16/202  
 D629,439 S † 12/2010 Yoshida ..... D16/203  
 D633,931 S † 3/2011 Ham ..... D16/203  
 D639,842 S † 6/2011 Zeinoun ..... D16/203  
 D657,410 S † 4/2012 Helaoui ..... D16/203  
 D721,755 S † 1/2015 Ahman ..... D16/203  
 D723,395 S † 3/2015 Dispenza ..... D10/53  
 D740,874 S † 10/2015 Ahman ..... D16/203  
 D741,389 S † 10/2015 Park ..... D16/203  
 D743,465 S † 11/2015 Aglassinger ..... D16/203  
 D749,662 S † 2/2016 Chen ..... D16/203  
 D756,437 S † 5/2016 Bennermark ..... D16/203  
 D809,048 S † 1/2018 Andersson ..... D16/203  
 D816,755 S † 5/2018 Barnekow ..... D16/203  
 D817,378 S † 5/2018 Persson ..... D16/203  
 D823,919 S † 7/2018 Persson ..... D16/203  
 D837,863 S † 1/2019 Persson ..... D16/203  
 D839,338 S † 1/2019 Persson ..... D16/203  
 D848,514 S † 5/2019 Ahman ..... D16/219  
 D849,120 S † 5/2019 Ahman ..... D16/219  
 D856,397 S † 8/2019 Ahman ..... D16/219  
 D857,079 S \* 8/2019 Helaoui ..... D16/203  
 D861,057 S \* 9/2019 Klein ..... D16/203

10,430,972 B2 \* 10/2019 Dahlstrom ..... G06T 7/74  
 D866,636 S \* 11/2019 Walter ..... D16/203  
 D866,641 S \* 11/2019 Walter ..... D16/203  
 D867,423 S \* 11/2019 Helaoui ..... D16/203  
 D867,424 S \* 11/2019 Helaoui ..... D16/203  
 D867,425 S \* 11/2019 Shuai ..... D16/203  
 D870,180 S \* 12/2019 Qiu ..... D16/203  
 D870,792 S \* 12/2019 Lundblad ..... D16/203  
 D870,793 S \* 12/2019 Lundblad ..... D16/203  
 D871,485 S \* 12/2019 Walter ..... D16/203  
 D881,855 S \* 4/2020 Ahman ..... D14/230  
 D882,663 \* 4/2020 Walter ..... D16/203  
 D882,664 \* 4/2020 Tang ..... D16/203  
 2011/0090350 A1 † 4/2011 Oomori ..... H04N 5/2252  
 348/207.99  
 2012/0106943 A1 † 5/2012 Mukai ..... G03B 37/00  
 396/427  
 2013/0287385 A1 † 10/2013 Andersson ..... H04N 5/2252  
 396/427  
 2016/0112608 A1 † 4/2016 Elensi ..... H04N 5/2252  
 348/143  
 2017/0330346 A1 † 11/2017 Oshima ..... G03B 17/00  
 2017/0353635 A1 † 12/2017 Shin ..... H04N 7/18  
 2018/0165932 A1 † 6/2018 Larsson ..... G08B 13/19619  
 2019/0191059 A1 † 6/2019 Park ..... H04N 5/2251  
 2019/0227304 A1 † 7/2019 Eftekhari ..... G02B 27/0006

\* cited by examiner

† imported from a related application

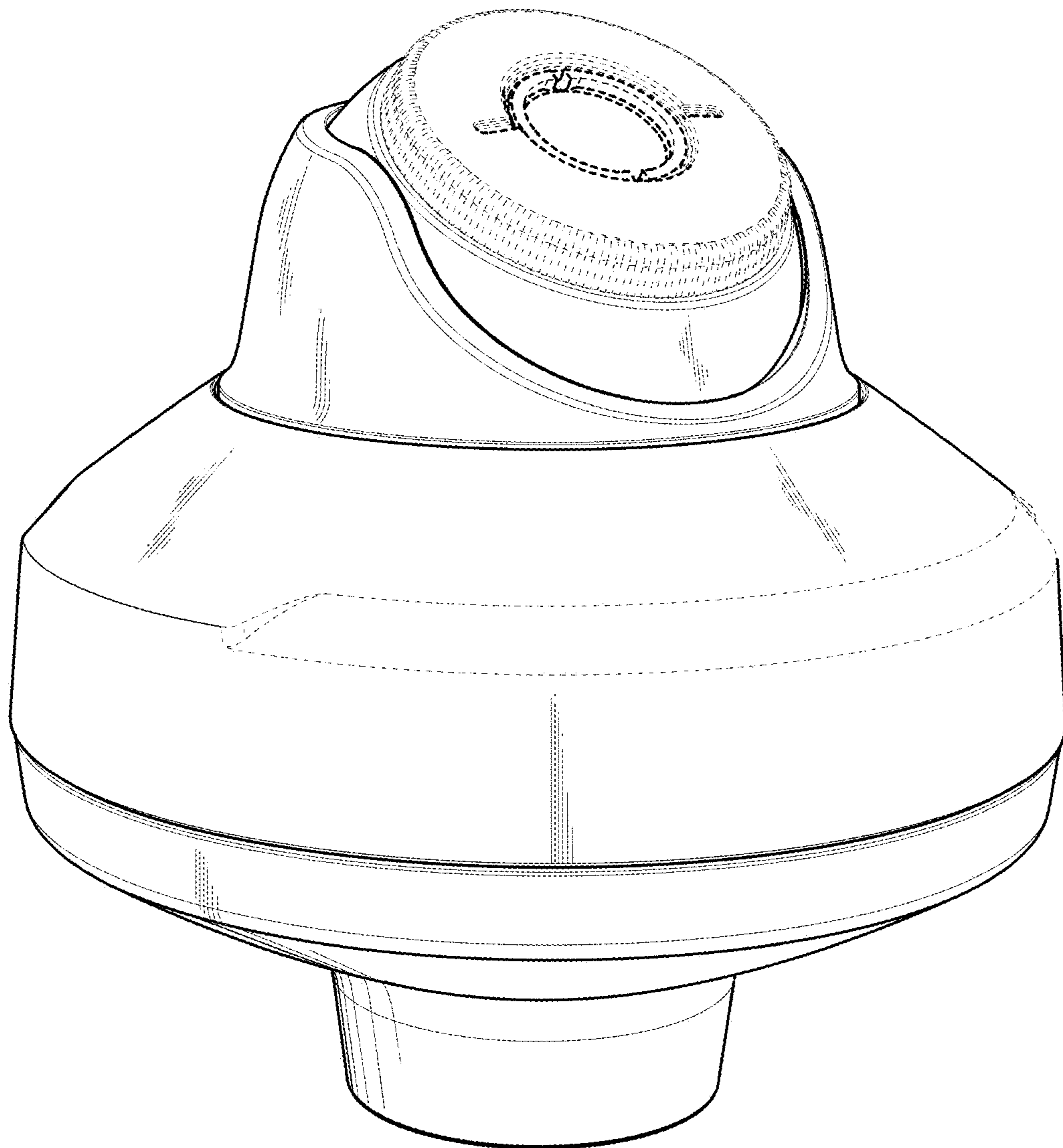


FIG. 1



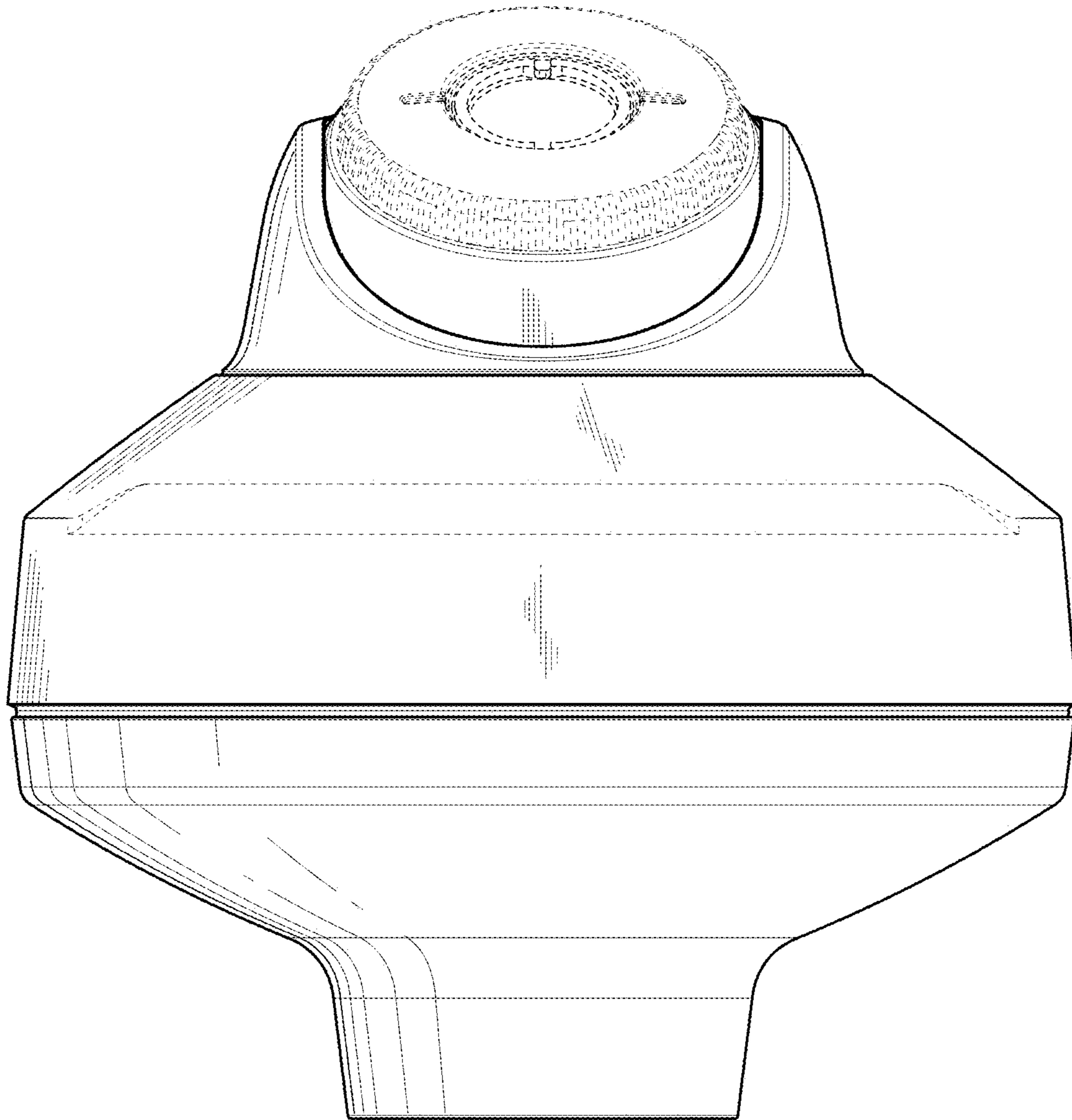


FIG. 2

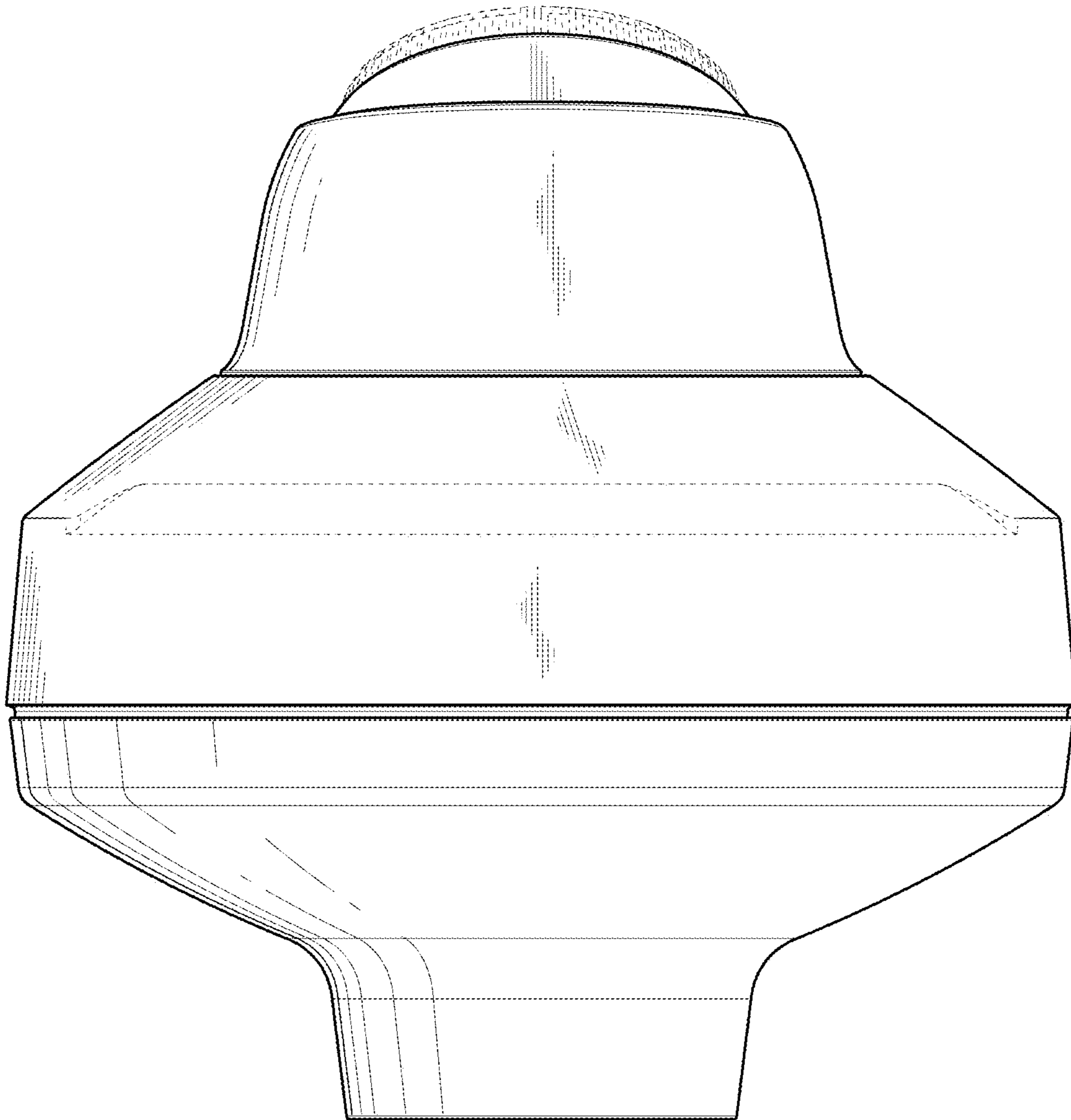


FIG. 3

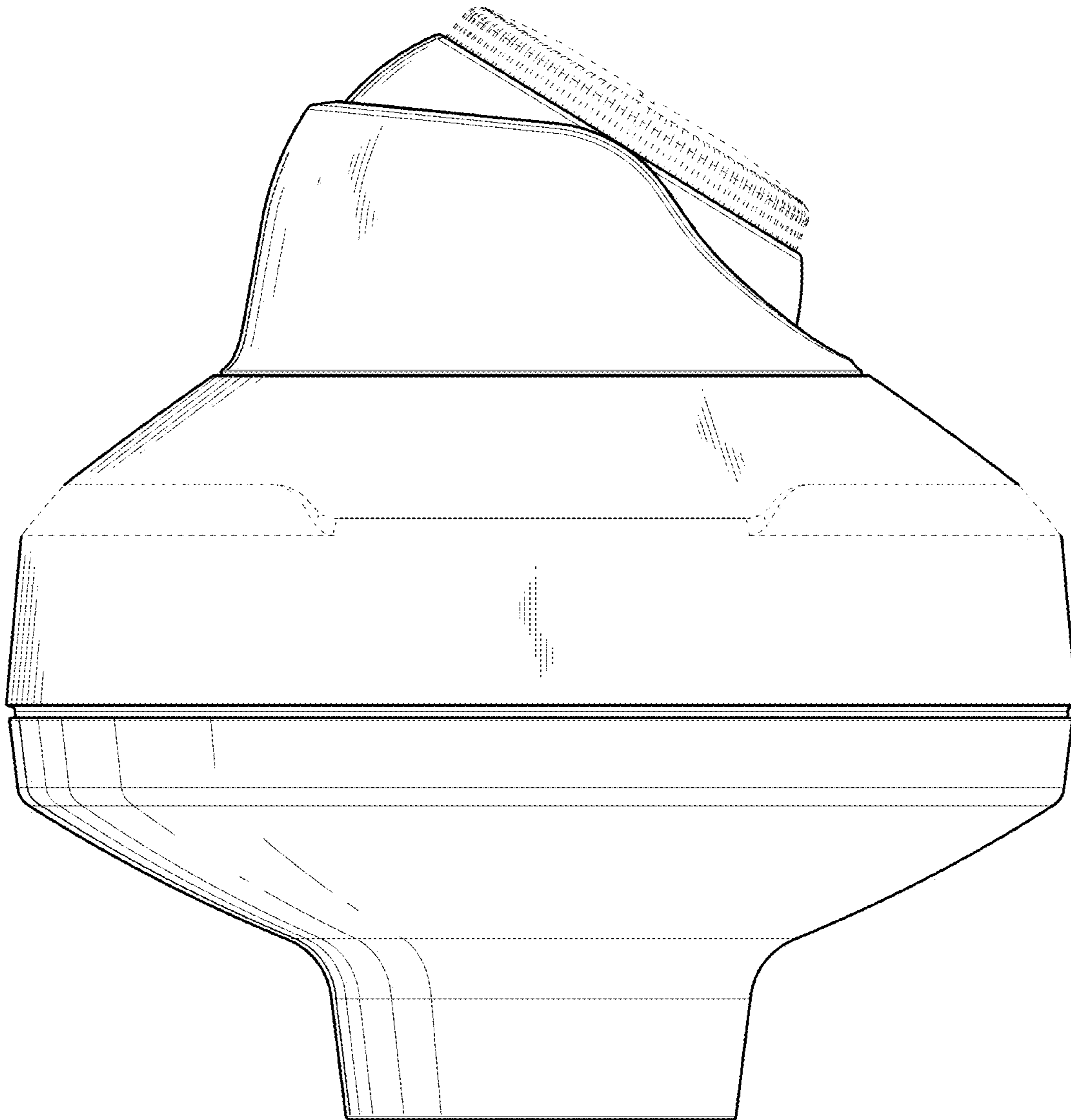


FIG. 4

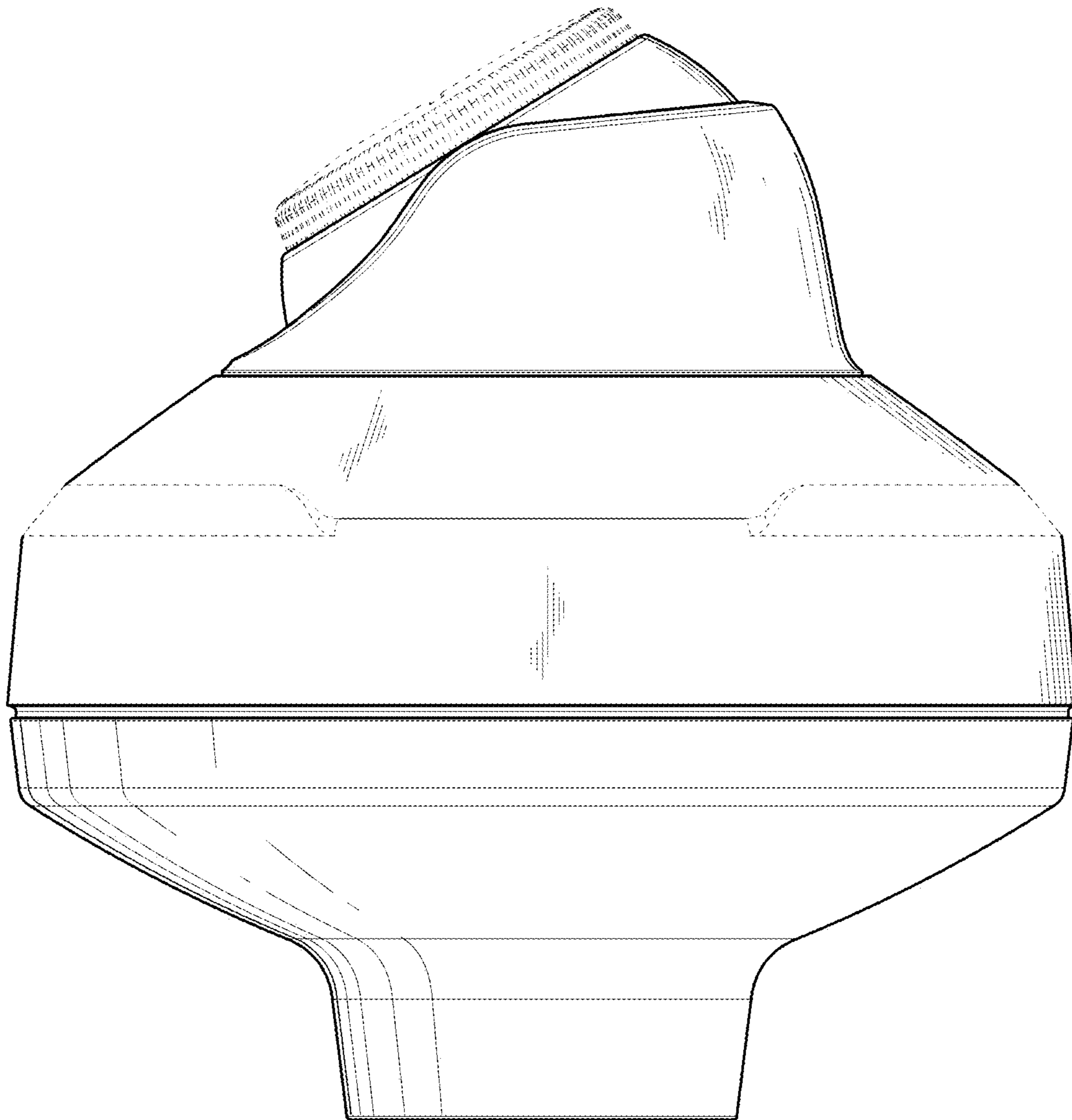


FIG. 5

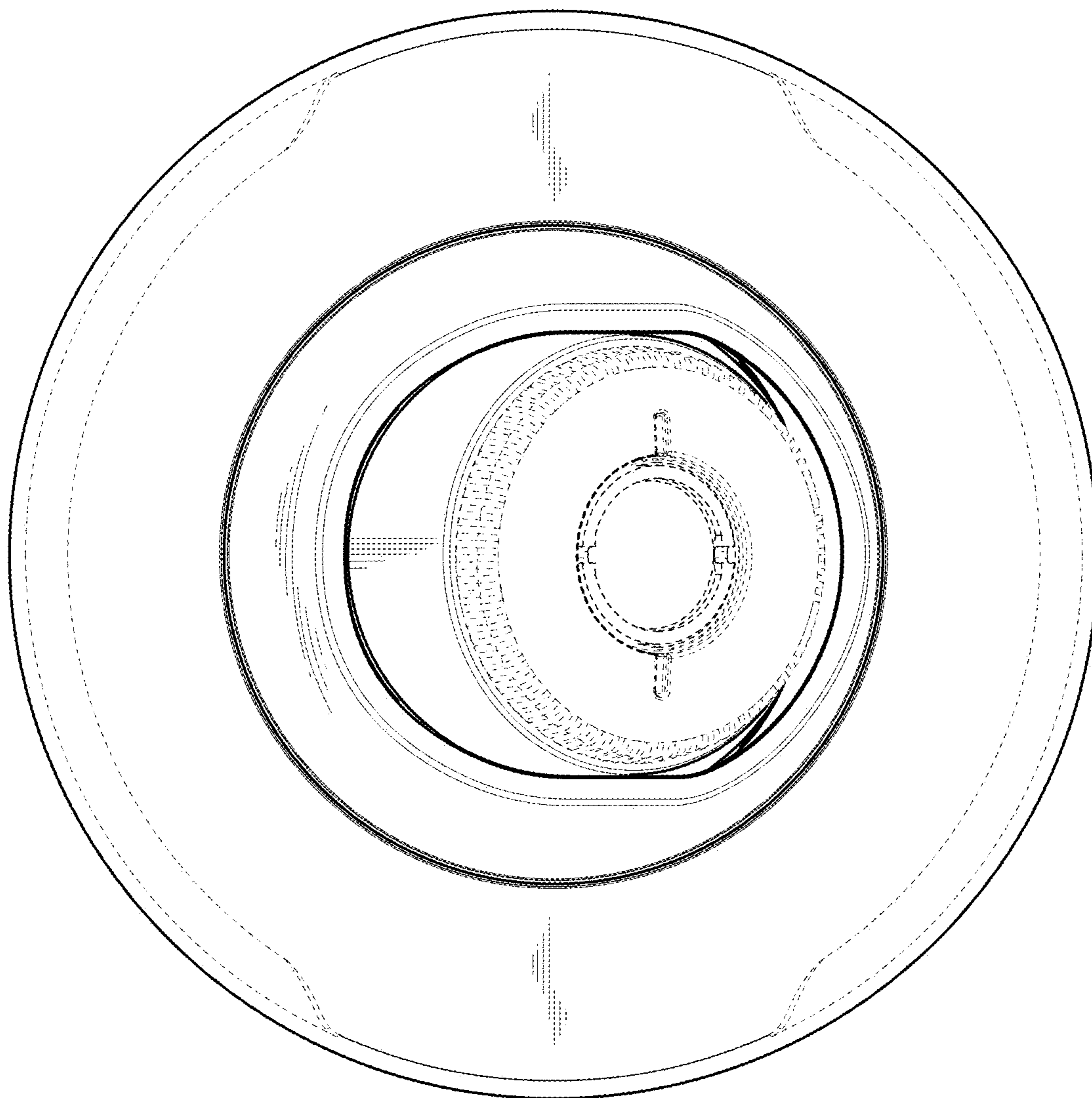


FIG. 6



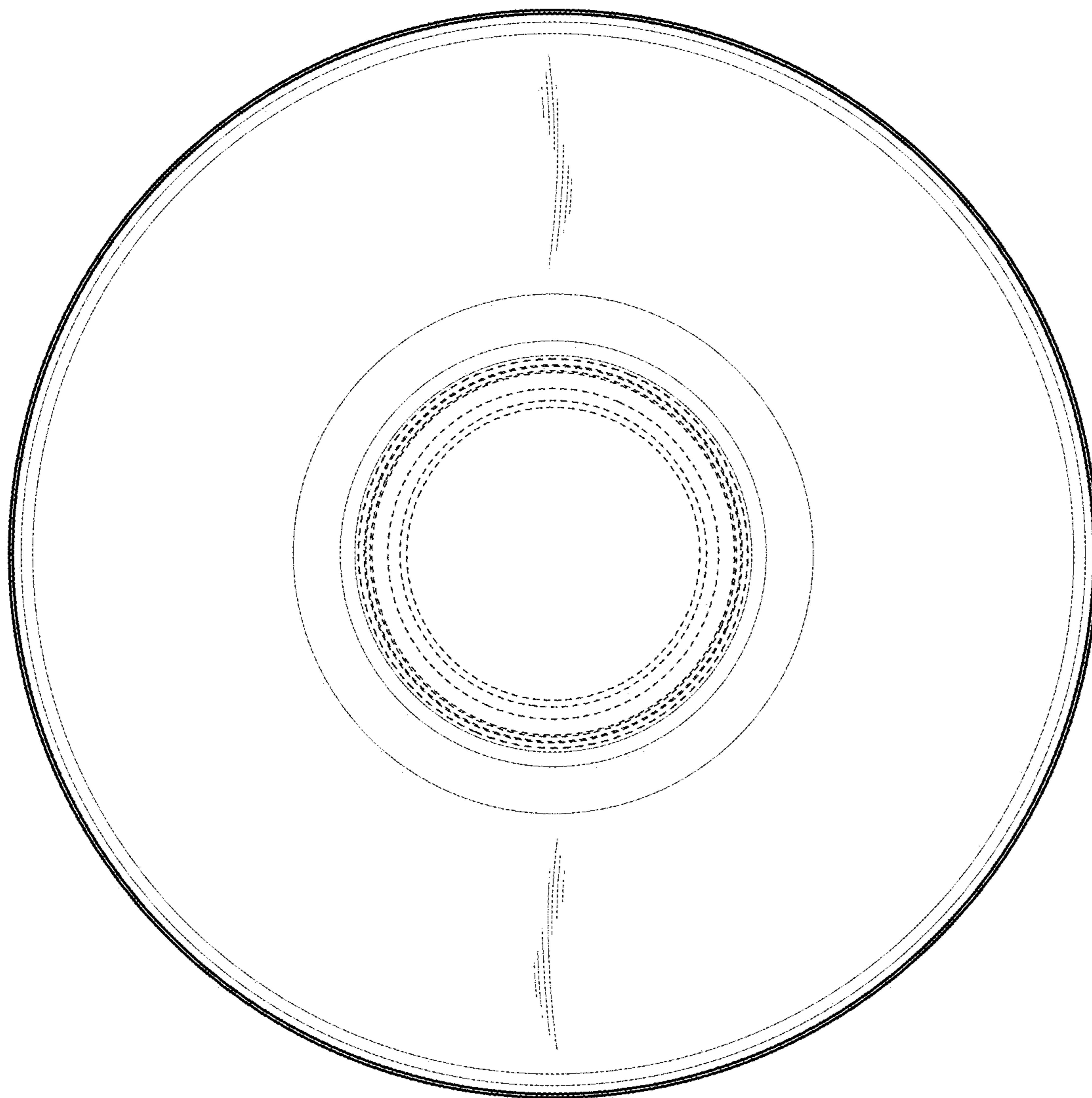


FIG. 7