



US00D888127S

(12) **United States Design Patent** (10) **Patent No.:** **US D888,127 S**
Lee (45) **Date of Patent:** **** Jun. 23, 2020**

(54) **VIDEO RECORDER FOR VEHICLE**

(71) Applicant: **THINKWARE CORPORATION,**
Gyeonggi-Do (KR)

(72) Inventor: **Hyunwoo Lee,** Gyeonggi-do (KR)

(73) Assignee: **THINKWARE CORPORATION,**
Gyeonggi-Do (KR)

(**) Term: **15 Years**

(21) Appl. No.: **29/655,522**

(22) Filed: **Jul. 4, 2018**

(30) **Foreign Application Priority Data**

Jan. 19, 2018 (KR) 30-2018-0003260

(51) **LOC (12) Cl.** **16-01**

(52) **U.S. Cl.**
USPC **D16/203; D16/202**

(58) **Field of Classification Search**
USPC D16/200–220, 131, 237, 242, 239, 250,
D16/235, 130, 134, 136, 238;
D14/138 C, 240, 248, 203.1, 203.3, 203.7,
D14/218, 207; D10/104.1, 50, 65, 74,
D10/70, 118.2
CPC . G02B 7/02; G02B 7/021; G02B 7/04; G02B
7/14; G02B 7/003; G03B 17/00; G03B
17/02; G03B 17/56; G03B 17/04; G03B
17/14; G03B 17/08; G03B 15/03; G03B
15/06; H04N 5/2251; H04N 5/2252;
H04N 5/2253; H04N 5/2254; H04N 7/00;
H04N 2101/00; F16M 13/00

See application file for complete search history.

(56) **References Cited**

U.S. PATENT DOCUMENTS

D568,359 S * 5/2008 Tajima D16/202
D570,389 S * 6/2008 Nakamura D16/202
D576,190 S * 9/2008 Tainaka D16/202

D576,191 S * 9/2008 Shimobayashi D16/202
D577,756 S * 9/2008 Nakamura D16/202
D582,459 S * 12/2008 Nakamura D16/202
D597,115 S * 7/2009 Inaba D16/202
D597,116 S * 7/2009 Watanabe D16/202

(Continued)

FOREIGN PATENT DOCUMENTS

CN 303440075 * 11/2015
CN 303662351 * 5/2016
CN 304293469 * 9/2017

OTHER PUBLICATIONS

Thinkware Dash Cam X700, published Jan. 10, 2019 [online],
[retrieved Sep. 23, 2019], Available from Internet, URL: <https://web.archive.org/web/20190110064812/https://thinkware.com.sg/thinkware-x700>.*

(Continued)

Primary Examiner — T Chase Nelson

Assistant Examiner — Mary Claire Ramirez

(74) *Attorney, Agent, or Firm* — Leber IP Law; David C.
Robertson

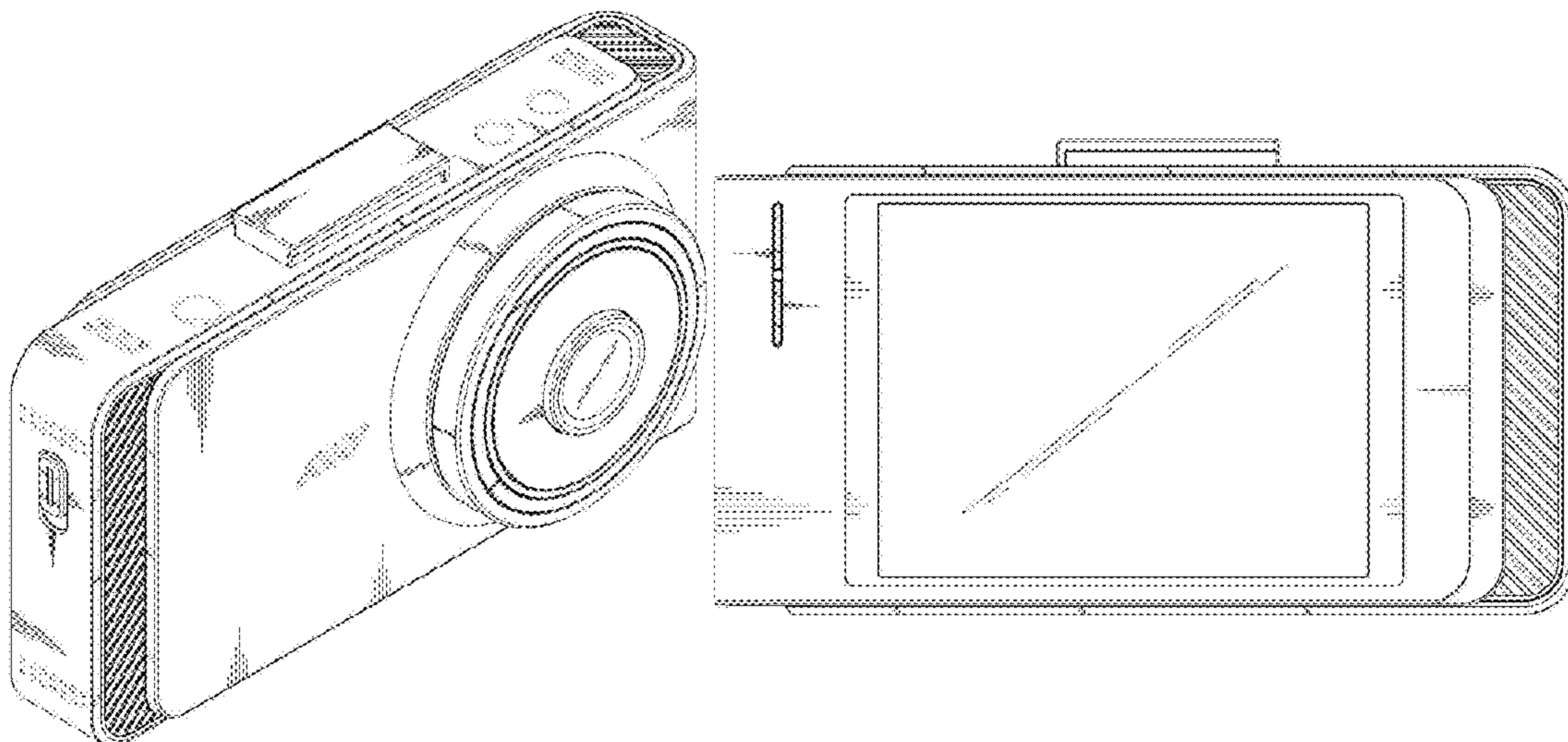
(57) **CLAIM**

The ornamental design for a video recorder for vehicle, as
shown and described.

DESCRIPTION

FIG. 1 is a perspective view of a video recorder for vehicle
showing my new design;
FIG. 2 is a front elevational view thereof;
FIG. 3 is a rear elevational view thereof;
FIG. 4 is a left side elevational view thereof;
FIG. 5 is a right side elevational view thereof;
FIG. 6 is a top view thereof; and,
FIG. 7 is a bottom view thereof.
The broken lines in the drawings depict portions of the video
recorder for vehicle that form no part of the claimed design.

1 Claim, 7 Drawing Sheets



(56)

References Cited

U.S. PATENT DOCUMENTS

D597,577 S * 8/2009 Kim D16/202
 D601,602 S * 10/2009 Jang D16/202
 D604,348 S * 11/2009 Inaba D16/202
 D605,678 S * 12/2009 Shimobayashi D16/202
 D611,974 S * 3/2010 Kwon D16/202
 D627,381 S * 11/2010 Kwon D16/202
 D629,824 S * 12/2010 Takahashi D16/202
 D644,676 S * 9/2011 Katayama D16/202
 D645,890 S * 9/2011 Li D16/202
 D660,337 S * 5/2012 Hwang D16/202
 D669,514 S * 10/2012 Ham D16/202
 D669,515 S * 10/2012 Jang D16/202
 D669,517 S * 10/2012 Nakamura D16/202
 D669,518 S * 10/2012 Nakamura D16/202
 D669,929 S * 10/2012 Jang D16/202
 D671,581 S * 11/2012 Ham D16/202
 D671,582 S * 11/2012 Jang D16/202
 D688,291 S * 8/2013 Yum D16/202
 D708,246 S * 7/2014 Yamauchi D16/202
 D711,450 S * 8/2014 Yamauchi D16/202
 D717,353 S * 11/2014 Kobayashi D16/202
 D723,083 S * 2/2015 Jang D16/202
 D723,088 S * 2/2015 Jang D16/202
 D738,948 S * 9/2015 Ham D16/202

D745,589 S * 12/2015 Lee D16/218
 D745,906 S * 12/2015 Lee D16/202
 D750,686 S * 3/2016 Chen D16/218
 D760,309 S * 6/2016 Parfitt D16/202
 D773,546 S * 12/2016 Nguyen D16/218
 D775,254 S * 12/2016 Parfitt D16/202
 D794,695 S * 8/2017 Zhang D16/218
 D794,696 S * 8/2017 Nguyen D16/218
 D796,565 S * 9/2017 Lagerstedt D16/202
 D803,919 S * 11/2017 Jeong D16/202
 D833,505 S * 11/2018 Hu D16/218
 D840,463 S * 2/2019 Nguyen D16/218
 D855,675 S * 8/2019 Luo D16/202
 D856,392 S * 8/2019 Luo D16/202
 D858,610 S * 9/2019 Fang D16/218
 D875,154 S * 2/2020 Chen D16/202
 2015/0253534 A1 * 9/2015 Kang H04N 5/23296
 348/335

OTHER PUBLICATIONS

Thinkware X700 Car Dash Cam, published Oct. 10, 2015 [online],
 [retrieved Sep. 24, 2019], Available from Internet, URL: <https://www.amazon.com/THINKWARE-140%C2%B0Wide-Dashboard-Recorder-Recording/dp/B00QAZFR2A>.*

* cited by examiner

FIG. 1

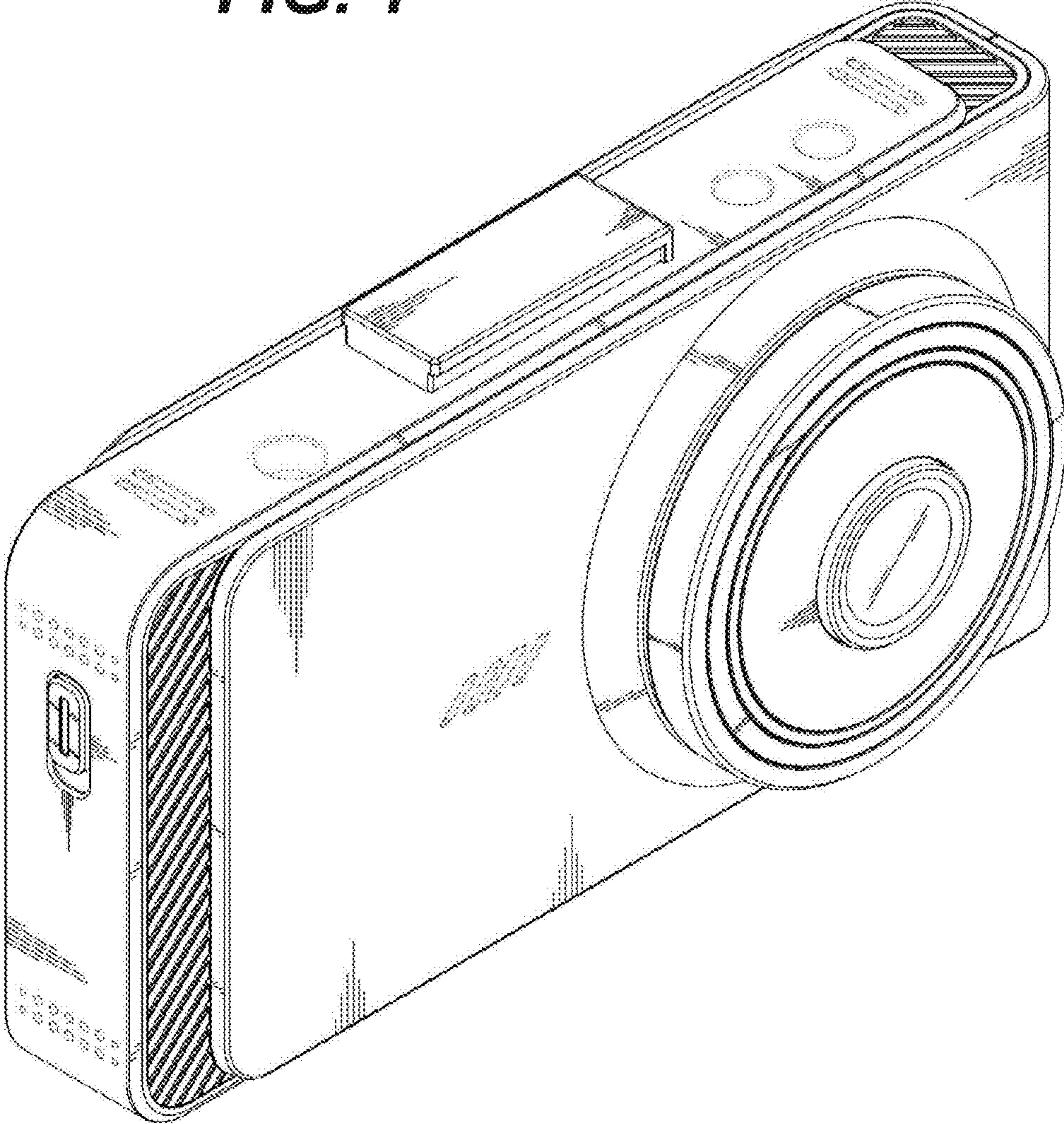


FIG. 2

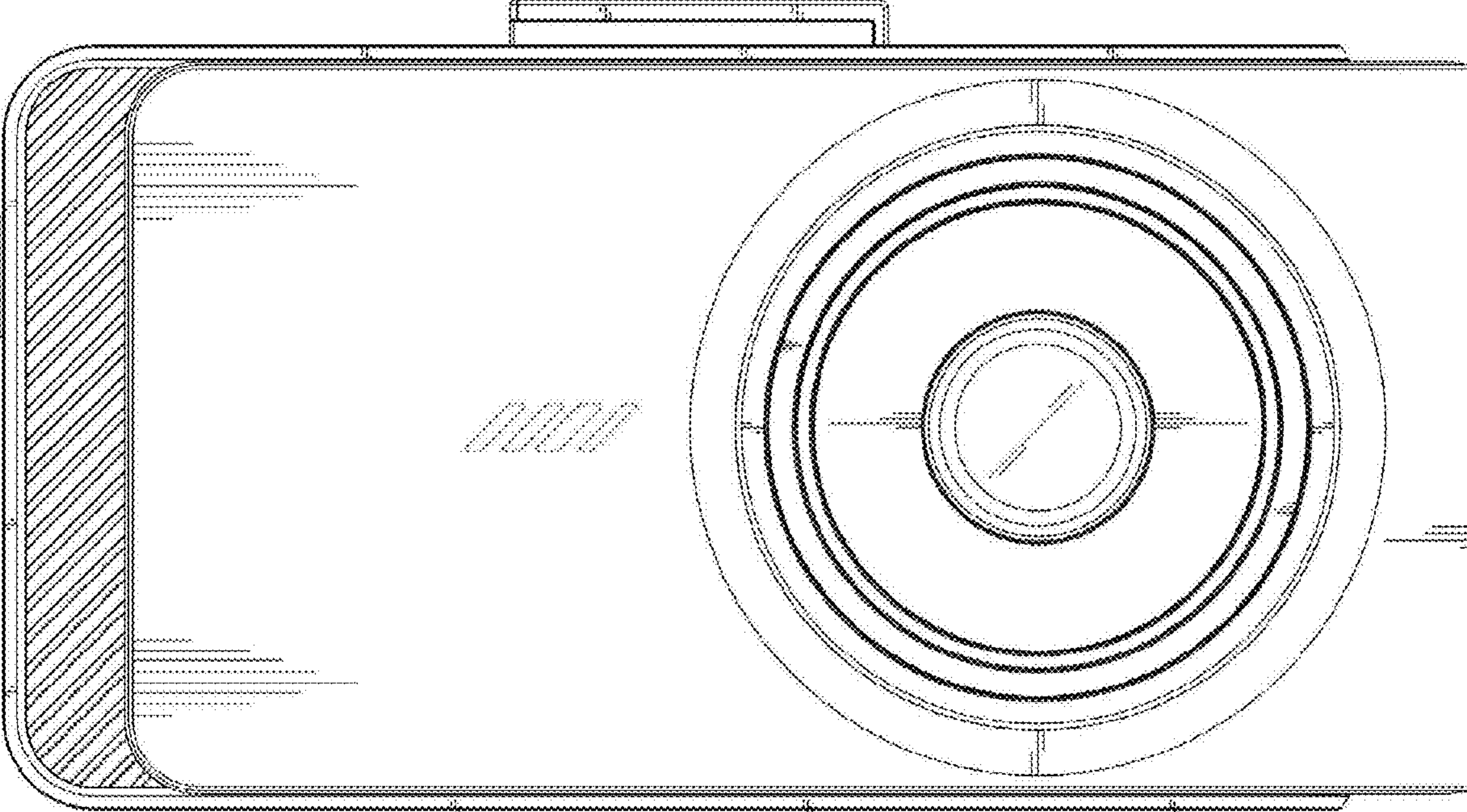


FIG. 3

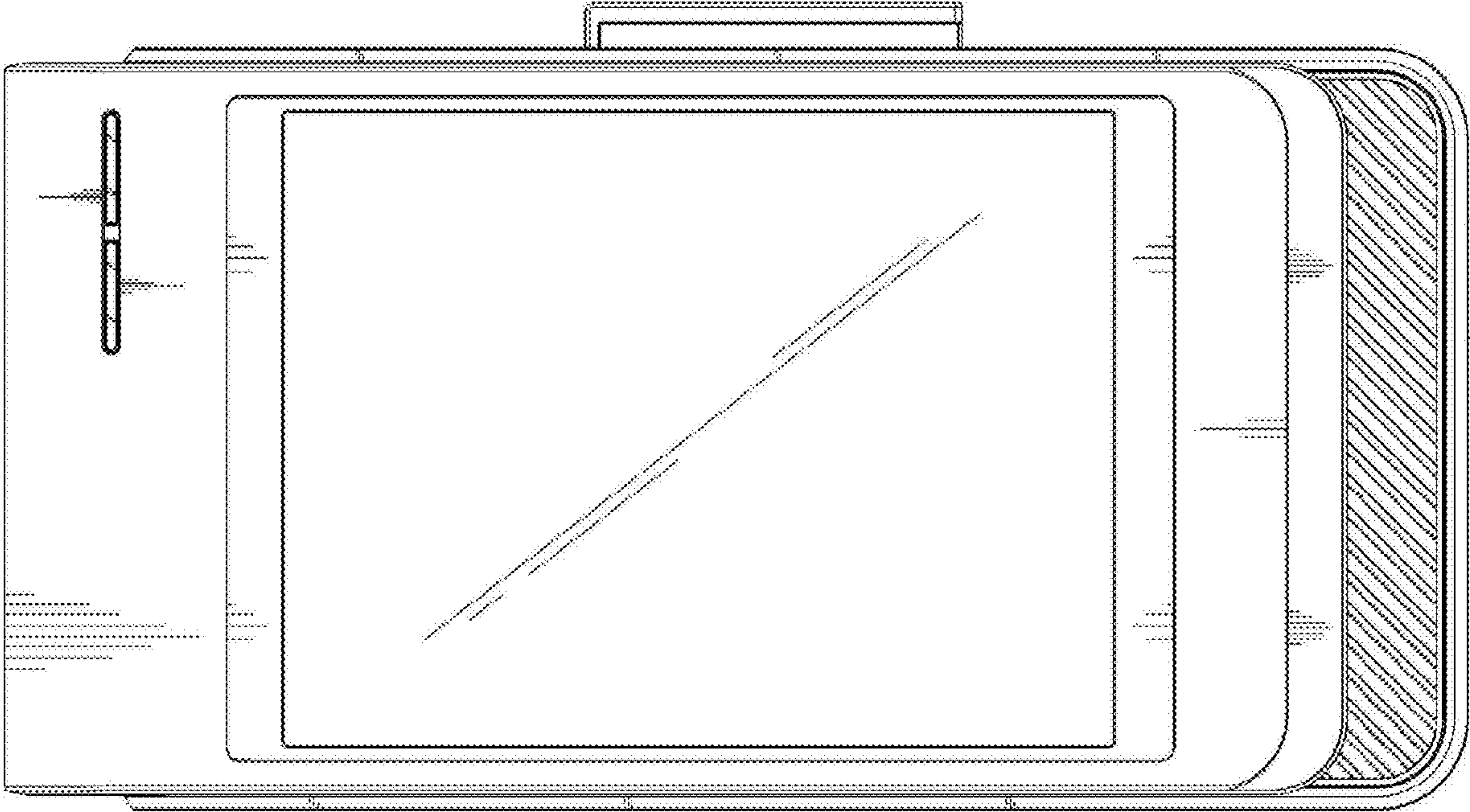


FIG. 4

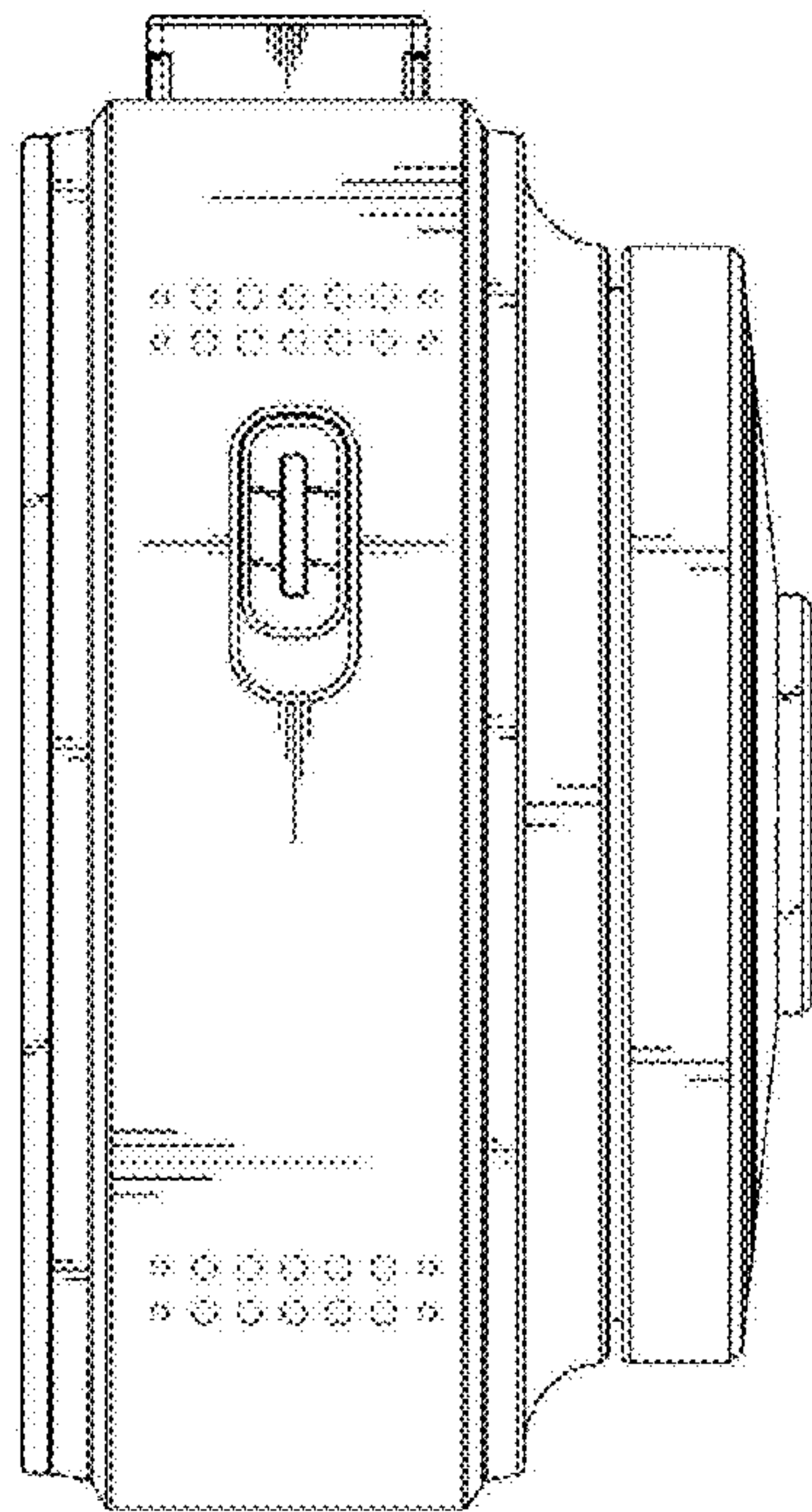


FIG. 5

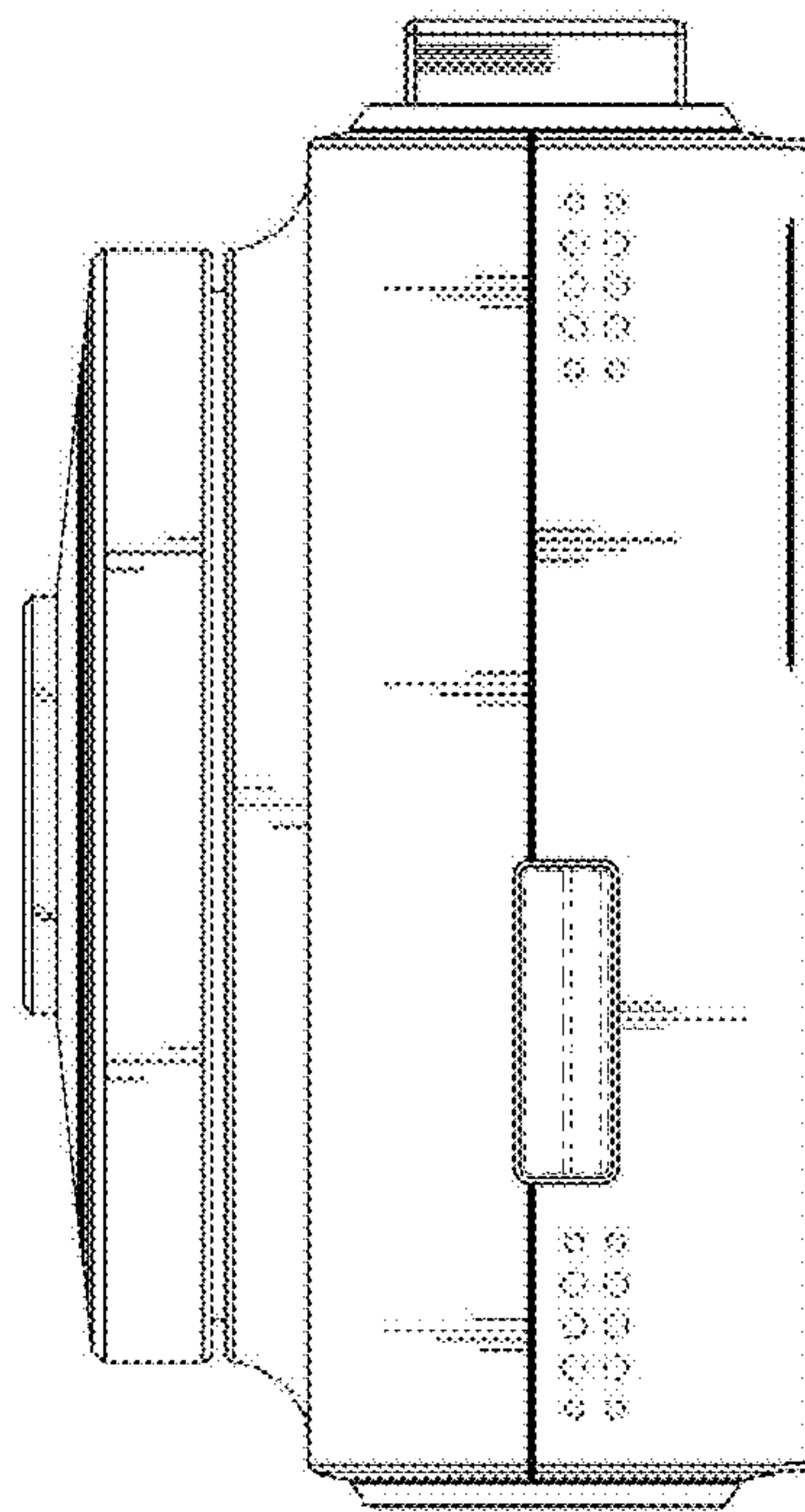


FIG. 6

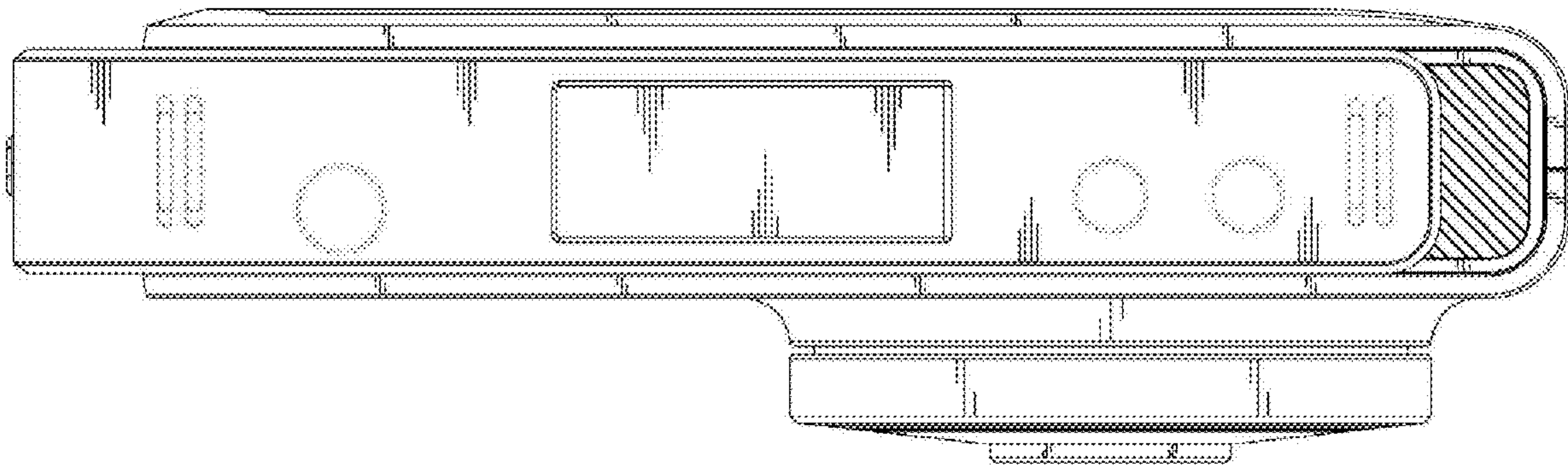


FIG. 7

