



US00D888126S

(12) **United States Design Patent** (10) **Patent No.:** **US D888,126 S**
Lee (45) **Date of Patent:** **** Jun. 23, 2020**

(54) **VIDEO RECORDER FOR VEHICLE**

(71) Applicant: **THINKWARE CORPORATION,**
Gyeonggi-Do (KR)

(72) Inventor: **Hyun Ju Lee,** Gyeonggi-do (KR)

(73) Assignee: **THINKWARE CORPORATION,**
Gyeonggi-Do (KR)

(**) Term: **15 Years**

(21) Appl. No.: **29/655,521**

(22) Filed: **Jul. 4, 2018**

(30) **Foreign Application Priority Data**

Jan. 5, 2018 (KR) 30-2018-0000805

(51) **LOC (12) Cl.** **16-01**

(52) **U.S. Cl.**
USPC **D16/203; D16/202**

(58) **Field of Classification Search**
USPC D16/200–220, 131, 237, 242, 239, 250,
D16/235, 130, 134, 136, 238;
D14/138 C, 240, 248, 203.1, 203.3, 203.7,
D14/218, 207; D10/104.1, 50, 65, 74,
D10/70, 118.2
CPC . G02B 7/02; G02B 7/021; G02B 7/04; G02B
7/14; G02B 7/003; G03B 17/00; G03B
17/02; G03B 17/56; G03B 17/04; G03B
17/14; G03B 17/08; G03B 15/03; G03B
15/06; H04N 5/2251; H04N 5/2252;
H04N 5/2253; H04N 5/2254; H04N 7/00;
H04N 2101/00; F16M 13/00
See application file for complete search history.

(56) **References Cited**

U.S. PATENT DOCUMENTS

D507,261 S * 7/2005 Griffin D14/226
D529,063 S * 9/2006 Cheng D16/203
D554,681 S * 11/2007 Ogino D16/202

D566,148 S * 4/2008 Akita D16/202
D586,836 S * 2/2009 Liow D16/203
D602,919 S * 10/2009 Bodley D14/225
D604,723 S * 11/2009 Bodley D14/225
D656,924 S * 4/2012 Mehlsen D14/226
D696,329 S * 12/2013 Horiki D16/203

(Continued)

FOREIGN PATENT DOCUMENTS

CN 303702386 * 6/2016
CN 304228623 * 11/2016

(Continued)

OTHER PUBLICATIONS

Thinkware Dash Cam F200, published Aug. 31, 2019 [online],
[retrieved Sep. 23, 2019], Available from Internet, URL: <https://web.archive.org/web/20180831220856/http://thinkware.com.sg/thinkware-f200/>.*

Primary Examiner — T Chase Nelson

Assistant Examiner — Mary Claire Ramirez

(74) *Attorney, Agent, or Firm* — Leber IP Law; David C. Robertson

(57) **CLAIM**

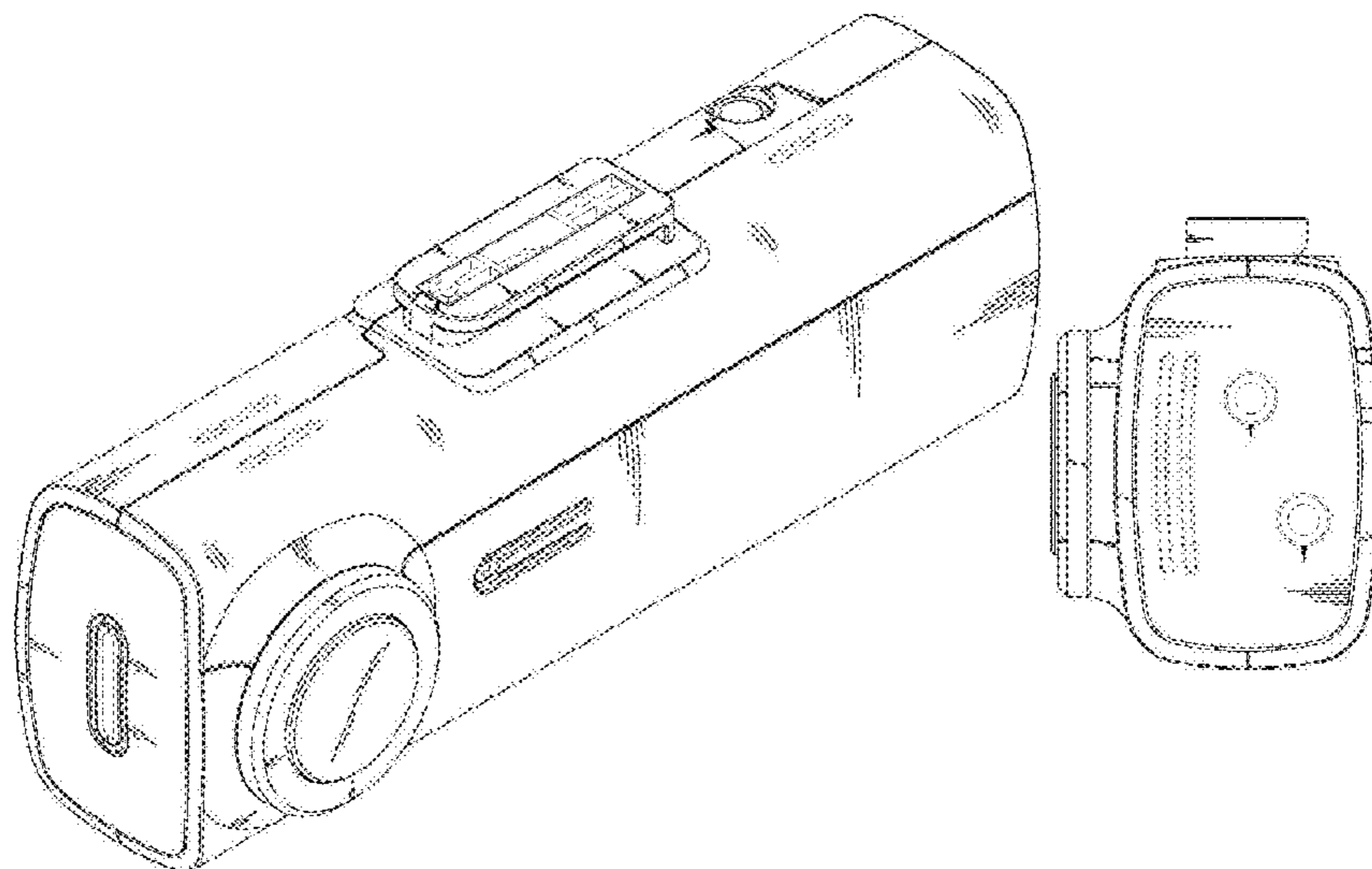
The ornamental design for a video recorder for vehicle, as shown and described.

DESCRIPTION

FIG. 1 is a perspective view of a video recorder for vehicle showing my new design;
FIG. 2 is a front elevational view thereof;
FIG. 3 is a rear elevational view thereof;
FIG. 4 is a left side elevational view thereof;
FIG. 5 is a right side elevational view thereof;
FIG. 6 is a top view thereof; and,
FIG. 7 is a bottom view thereof.

The broken lines in the drawings depict portions of the video recorder for vehicle that form no part of the claimed design.

1 Claim, 7 Drawing Sheets



(56)

References Cited

U.S. PATENT DOCUMENTS

D718,335 S * 11/2014 Lee D14/203.1
 D719,976 S * 12/2014 Bang D14/203.1
 D747,381 S * 1/2016 Schmidt D16/203
 D785,066 S * 4/2017 Liu D16/202
 D790,003 S * 6/2017 Nakagawa D16/235
 D792,919 S * 7/2017 Ryu D16/218
 D794,105 S * 8/2017 Liu D16/202
 D803,919 S * 11/2017 Jeong D16/202
 D808,455 S * 1/2018 Lee D16/202
 D821,895 S * 7/2018 Jeong D10/46
 D832,905 S * 11/2018 Liu D16/202
 D844,581 S * 4/2019 Zhou D14/142
 D851,163 S * 6/2019 Huang D16/243
 D852,867 S * 7/2019 Chang D16/202
 D853,361 S * 7/2019 Ding D14/225
 D857,077 S * 8/2019 Arens D16/202
 D858,610 S * 9/2019 Fang D16/218
 D860,290 S * 9/2019 Lee D16/208
 D864,862 S * 10/2019 Cheng D13/108
 D866,558 S * 11/2019 Shim D14/435
 2012/0008930 A1 * 1/2012 Barley G03B 11/00
 396/155
 2015/0070480 A1 * 3/2015 Pikkula G03B 15/02
 348/77
 2015/0296189 A1 * 10/2015 Yu G01J 3/513
 348/266
 2018/0252692 A1 * 9/2018 Canty B01J 8/1809
 2019/0077334 A1 * 3/2019 Tsantalis B60R 11/04

FOREIGN PATENT DOCUMENTS

CN 304494439 * 2/2018
 EM 005231636-0004 * 4/2018

* cited by examiner

FIG. 1

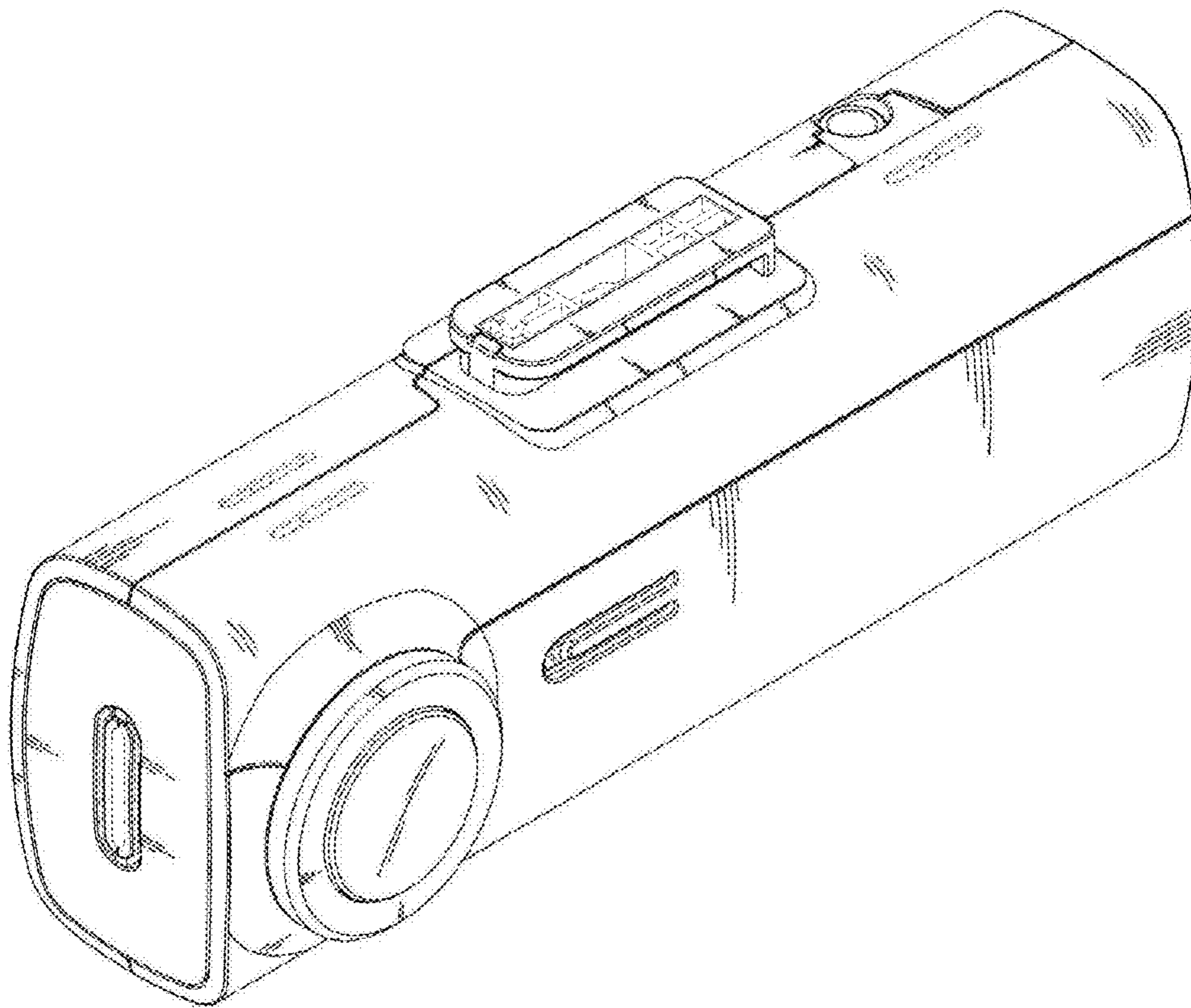


FIG. 2

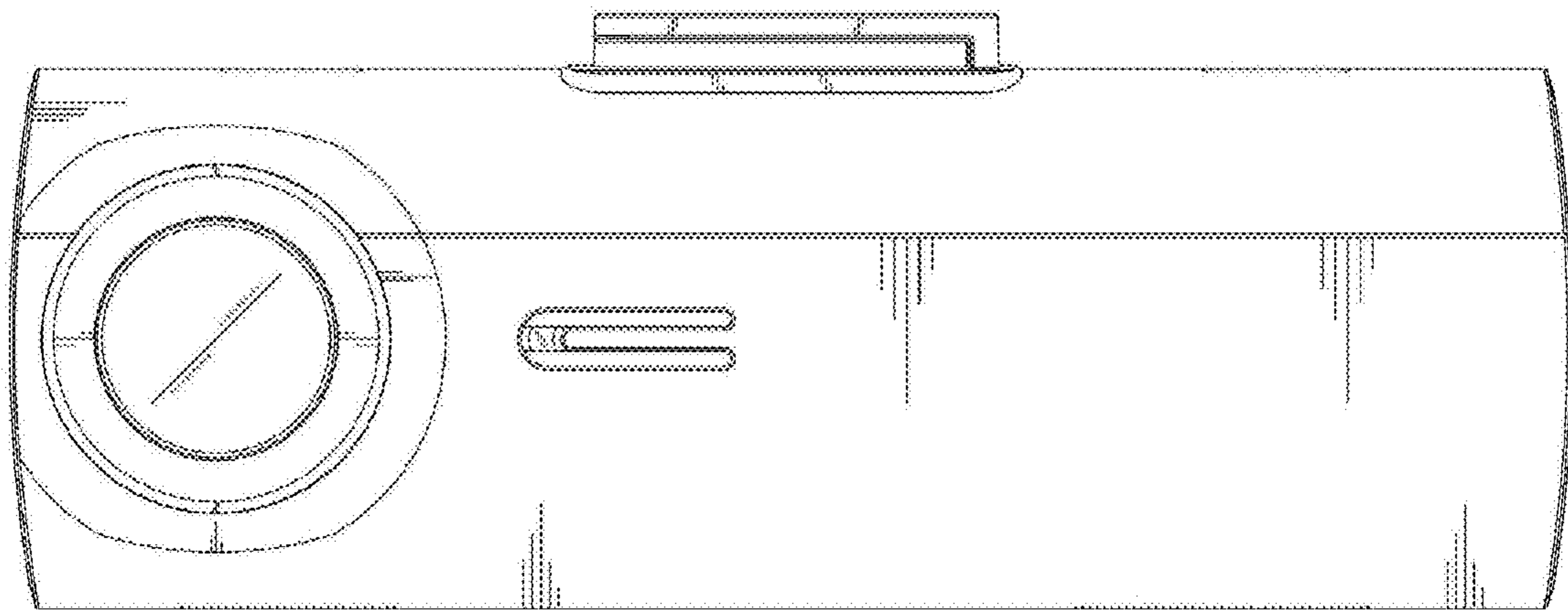


FIG. 3

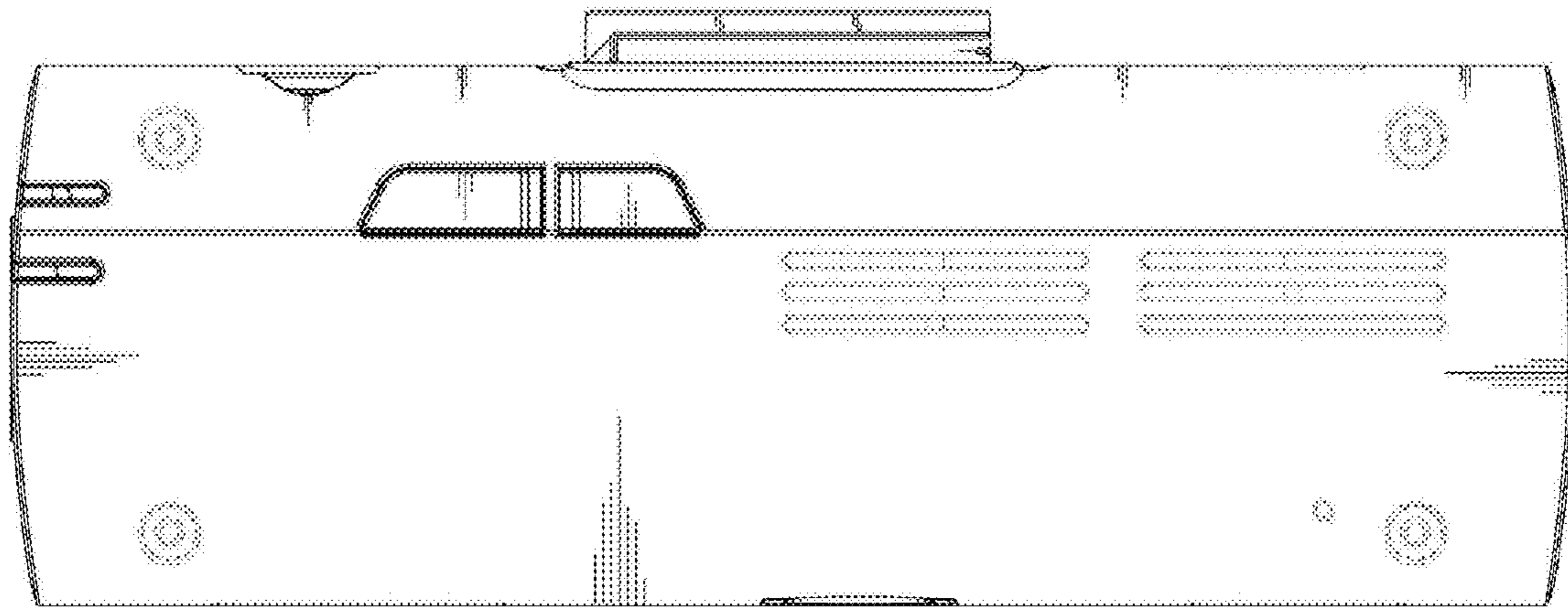


FIG. 4

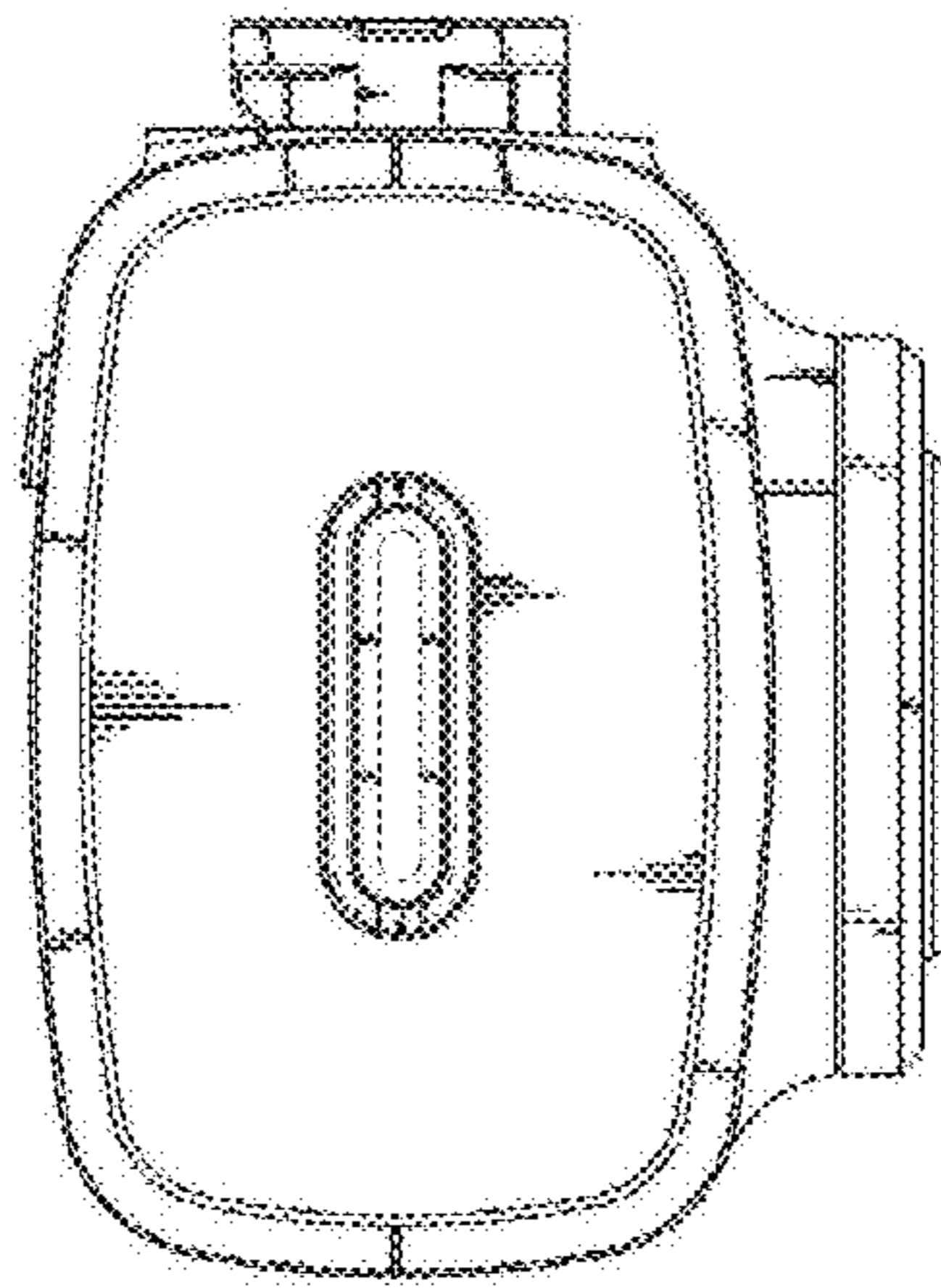


FIG. 5

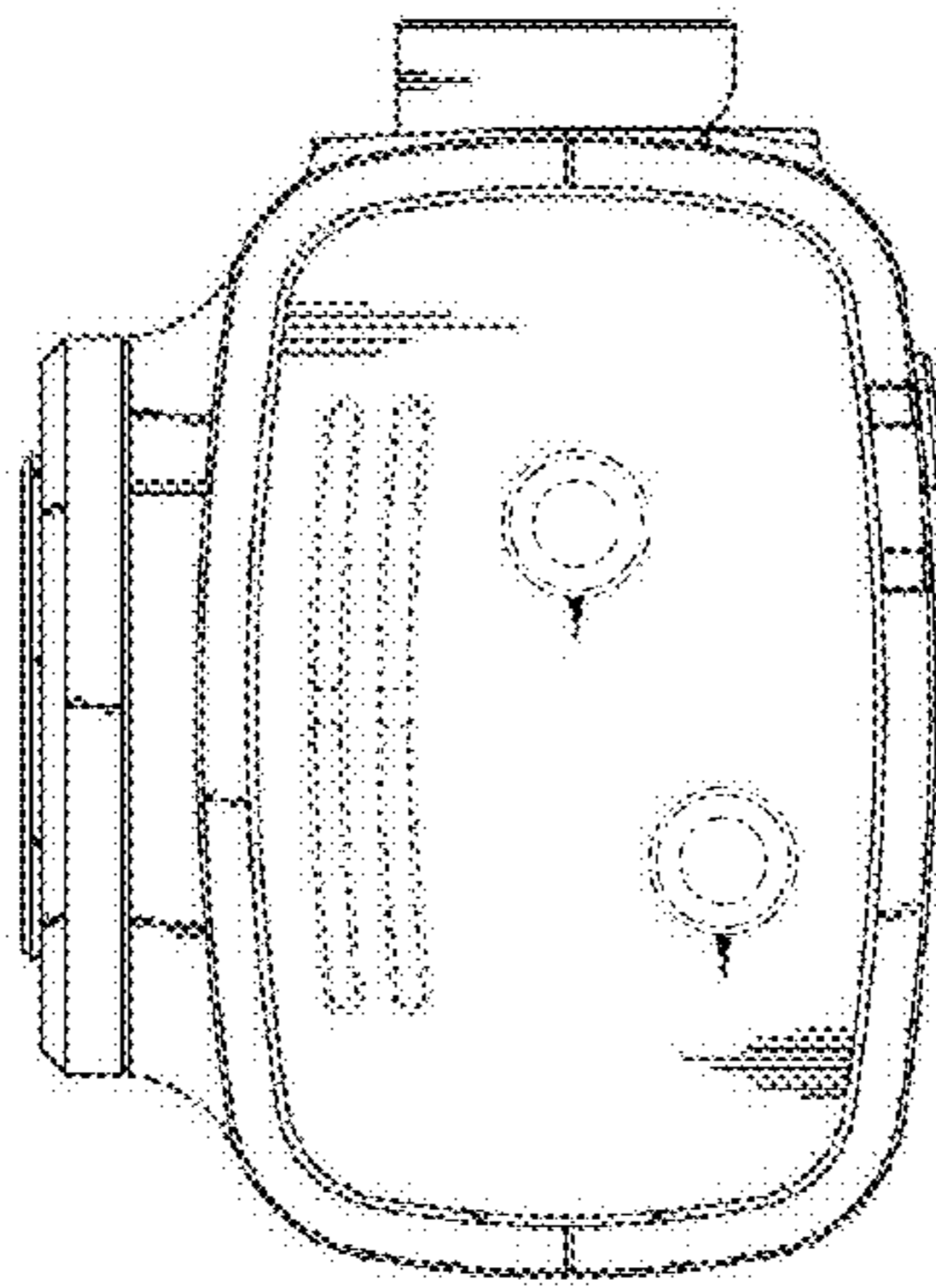


FIG. 6

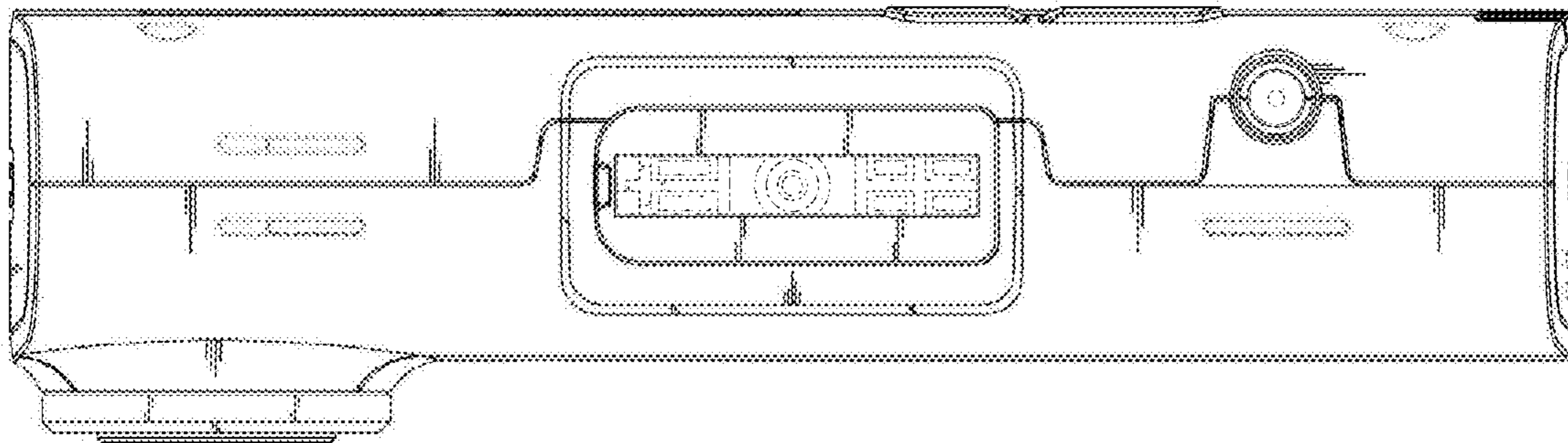


FIG. 7

