



US00D888124S

(12) **United States Design Patent**  
**Russo et al.**

(10) **Patent No.:** **US D888,124 S**  
(45) **Date of Patent:** **\*\* Jun. 23, 2020**

(54) **VIDEO CONFERENCE CAMERA**

FOREIGN PATENT DOCUMENTS

(71) Applicant: **Logitech Europe S.A.**, Lausanne (CH)

CN 303596520 \* 2/2016  
CN 303775671 \* 8/2016

(72) Inventors: **Giuseppe Russo**, Redwood City, CA (US); **Drew Putterman**, Oakland, CA (US)

OTHER PUBLICATIONS

(73) Assignee: **Logitech Europe S.A.**, Lausanne (CH)

Logitech Rally Camera Premium PTZ camera, published Jun. 6, 2018 [online], [retrieved Aug. 30, 2019] Available from Internet, URL: <https://www.youtube.com/watch?v=TWRoAsllm0c>.\*

(\*\*) Term: **15 Years**

*Primary Examiner* — T Chase Nelson

(21) Appl. No.: **29/650,449**

*Assistant Examiner* — Mary Claire Ramirez

(22) Filed: **Jun. 6, 2018**

(74) *Attorney, Agent, or Firm* — Kilpatrick Townsend & Stockton LLP

(51) **LOC (12) Cl.** ..... **16-01**

(57) **CLAIM**

(52) **U.S. Cl.**

The ornamental design for a video conference camera, as shown and described.

USPC ..... **D16/202**; D16/203

(58) **Field of Classification Search**

**DESCRIPTION**

USPC ..... D16/200–220, 131, 237, 242, 239, 250, D16/235, 130, 134, 136, 238; D14/138 C, 240, 248, 203.1, 203.3, 203.7, D14/218, 207; D10/104.1, 50, 65, 74, D10/70, 118.2; D26/28, 29, 34, 51, 52, D26/60, 61, 722; D3/260; D30/109, D30/104, 106, 107; D22/136  
CPC . G02B 7/02; G02B 7/021; G02B 7/04; G02B 7/14; G02B 7/003; G03B 17/00; G03B 17/02; G03B 17/56; G03B 17/04; G03B 17/14; G03B 17/08; G03B 15/03; G03B 15/06; H04N 5/2251; H04N 5/2252; H04N 5/2253; H04N 5/2254; H04N 7/00; H04N 2101/00; F16M 13/00

See application file for complete search history.

FIG. 1 is a front perspective view of a video conference camera showing our new design;  
FIG. 2 is a rear perspective view thereof;  
FIG. 3 is another rear perspective view of the video conference camera shown with the camera rotated;  
FIG. 4 is another front perspective view of the video conference camera shown with the camera tilted downwards;  
FIG. 5 is another front perspective view of the video conference camera shown with the camera tilted upwards;  
FIG. 6 is a top plan view of the video conference camera shown in FIG. 1;  
FIG. 7 is a bottom plan view thereof;  
FIG. 8 is a front elevation view thereof;  
FIG. 9 is a rear elevation view thereof;  
FIG. 10 is a left side elevation view thereof; and,  
FIG. 11 is a right side elevation view thereof.

(56) **References Cited**

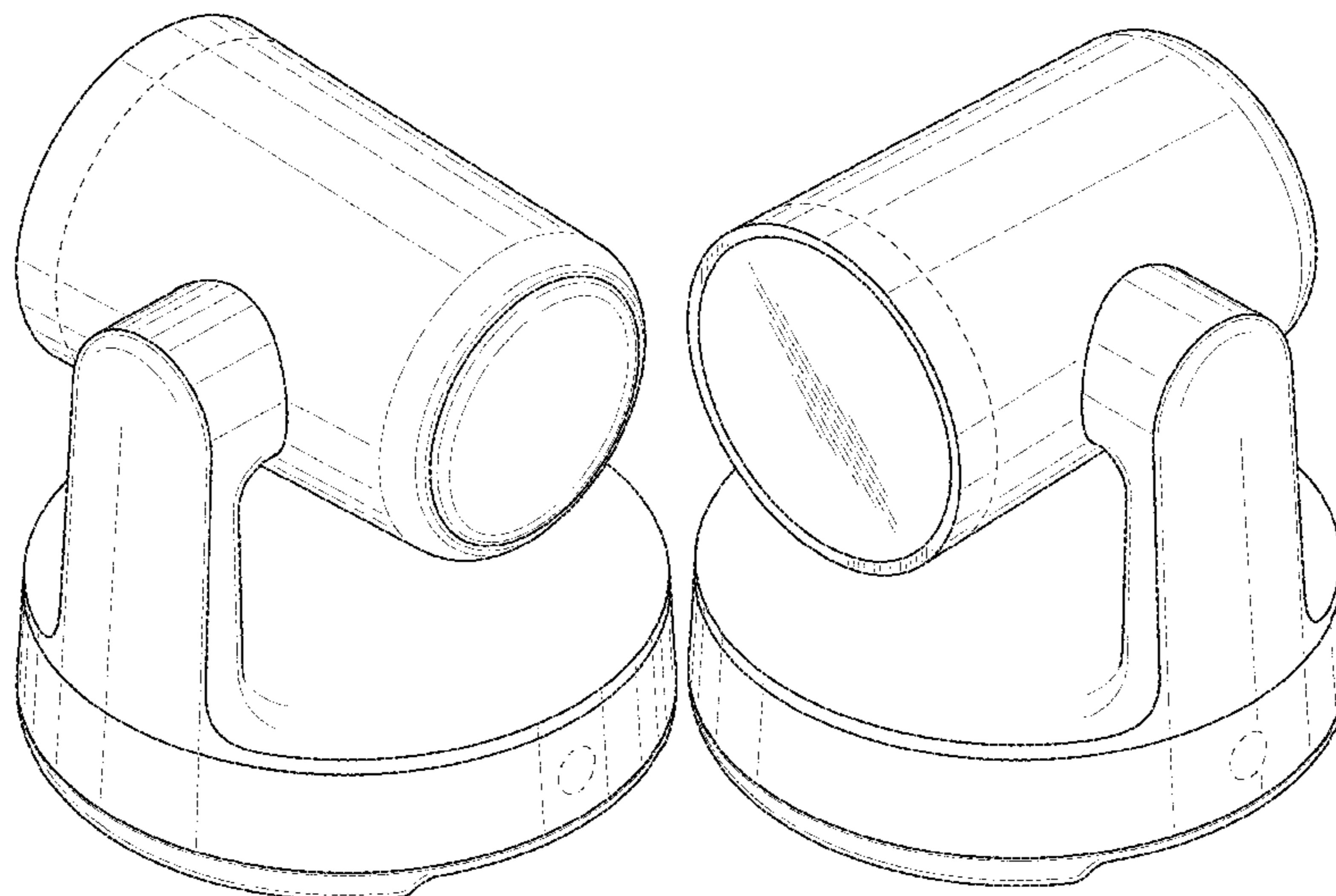
U.S. PATENT DOCUMENTS

D297,328 S \* 8/1988 Nozo ..... D14/358  
D349,713 S \* 8/1994 Hasegawa ..... D16/203  
D356,875 S \* 3/1995 Zelina, Jr. .... D26/38  
D417,300 S \* 11/1999 Stacy ..... D26/63

(Continued)

The broken lines shown in the drawings depict portions of the video conference camera that form no part of the claimed design.

**1 Claim, 6 Drawing Sheets**



(56)

**References Cited**

## U.S. PATENT DOCUMENTS

D437,243 S \* 2/2001 Cessac ..... D10/104.1  
D571,839 S \* 6/2008 Andresen ..... D16/202  
D577,049 S \* 9/2008 Lau ..... D16/203  
D594,497 S \* 6/2009 Hatori ..... D16/202  
D636,421 S \* 4/2011 Sagen ..... D16/202  
D640,721 S \* 6/2011 Satine ..... D16/202  
D645,891 S \* 9/2011 Kim ..... D16/202  
D656,531 S \* 3/2012 Ahn ..... D16/202  
D658,221 S \* 4/2012 Bailey ..... D16/202  
D660,339 S \* 5/2012 Yoshida ..... D16/202  
D709,542 S \* 7/2014 Bailey ..... D16/202  
D710,423 S \* 8/2014 Teppan ..... D16/202  
D726,235 S \* 4/2015 Nauli ..... D16/131  
D731,573 S \* 6/2015 Lyngra ..... D16/202  
D731,574 S \* 6/2015 Hallstrom ..... D16/203  
D749,059 S \* 2/2016 Hinokio ..... D14/216  
D749,060 S \* 2/2016 Hinokio ..... D14/216  
D784,588 S \* 4/2017 Piano ..... D26/65  
D800,363 S \* 10/2017 Terumichi ..... D26/63  
D819,713 S \* 6/2018 Pickett ..... D16/202  
D854,069 S \* 7/2019 Wang ..... D16/202  
D855,584 S \* 8/2019 Laine ..... D14/216  
D867,421 S \* 11/2019 Morishita ..... D16/202  
2019/0377165 A1 \* 12/2019 Chia ..... G02B 13/18

\* cited by examiner

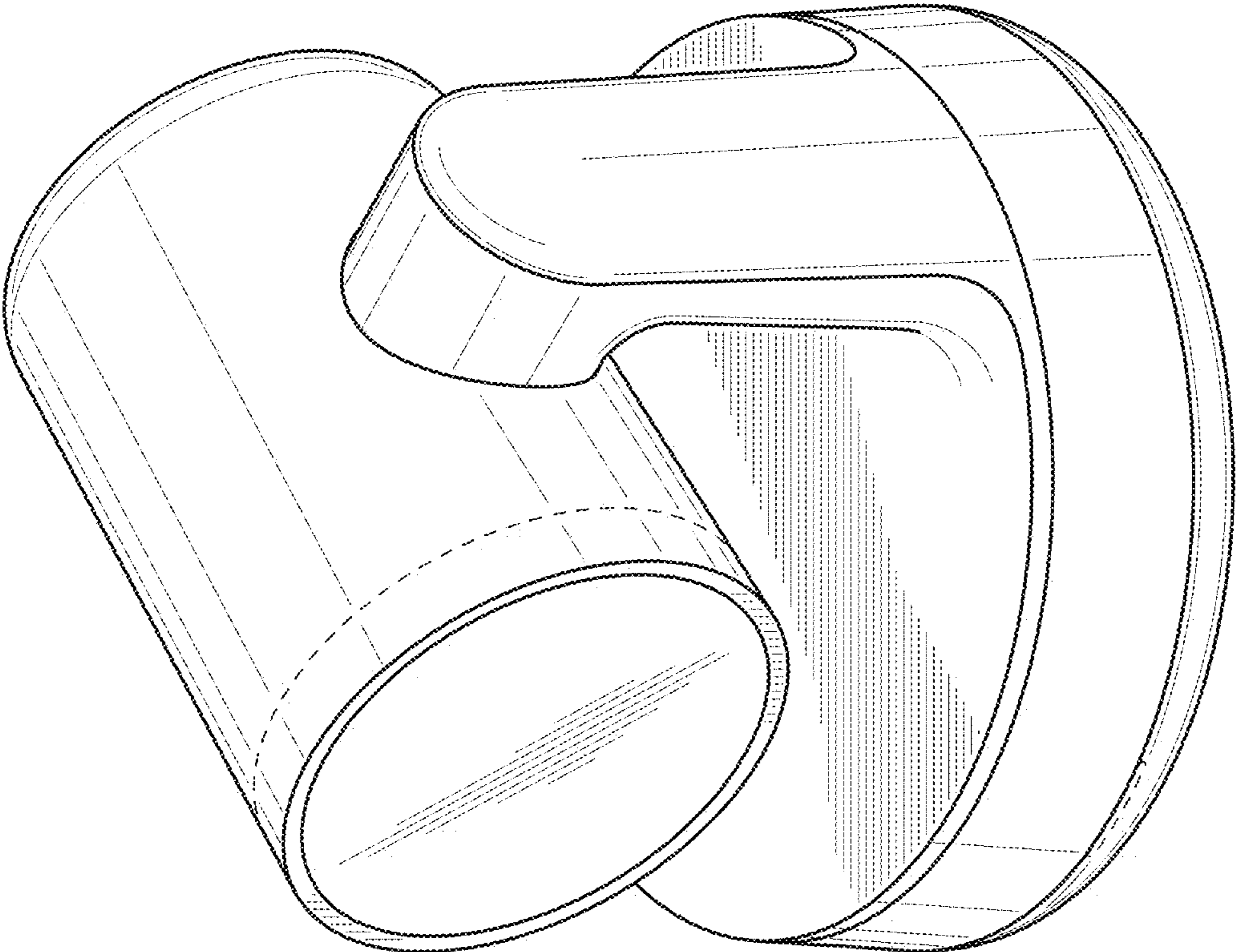


FIG. 1

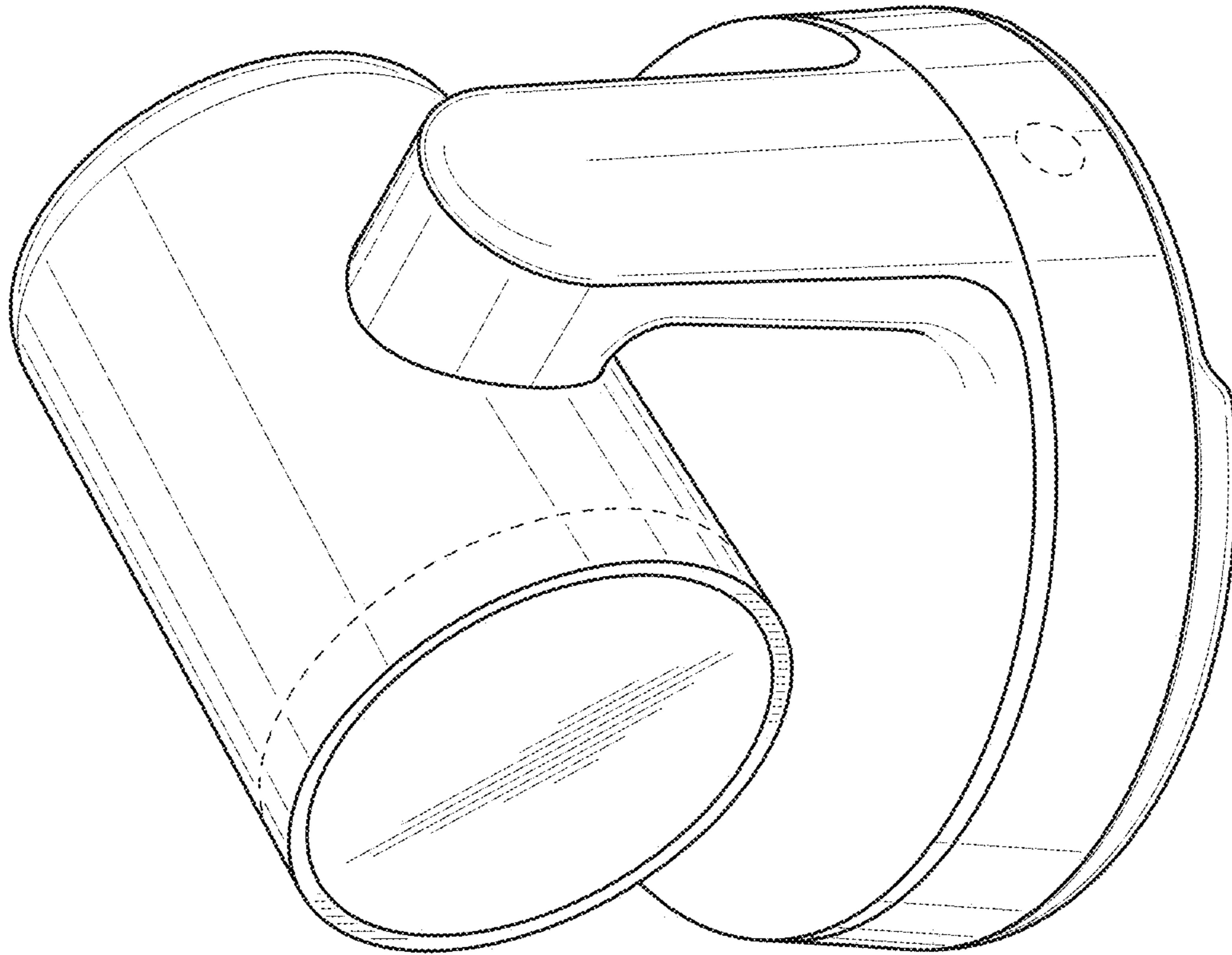


FIG. 3

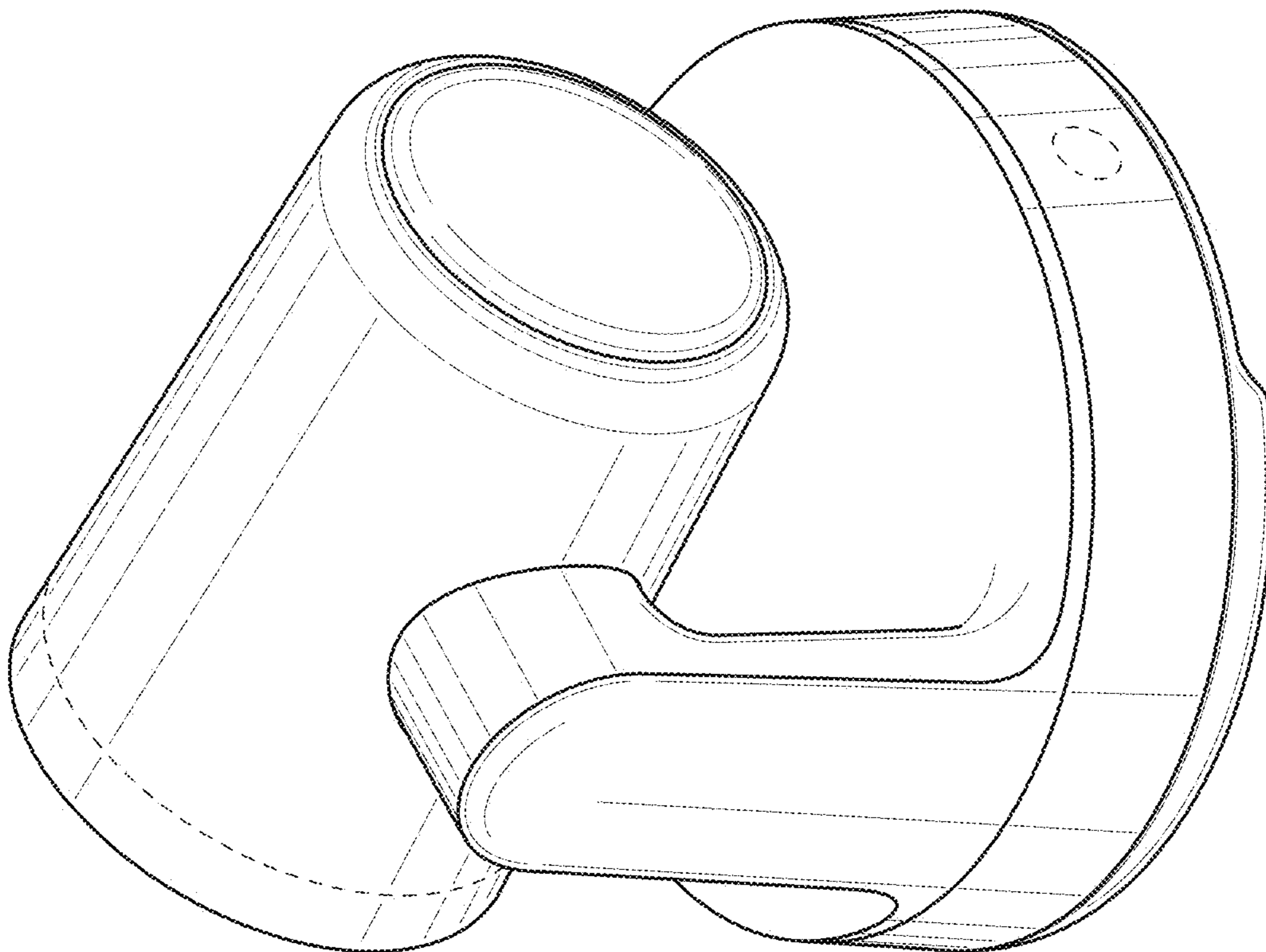


FIG. 2

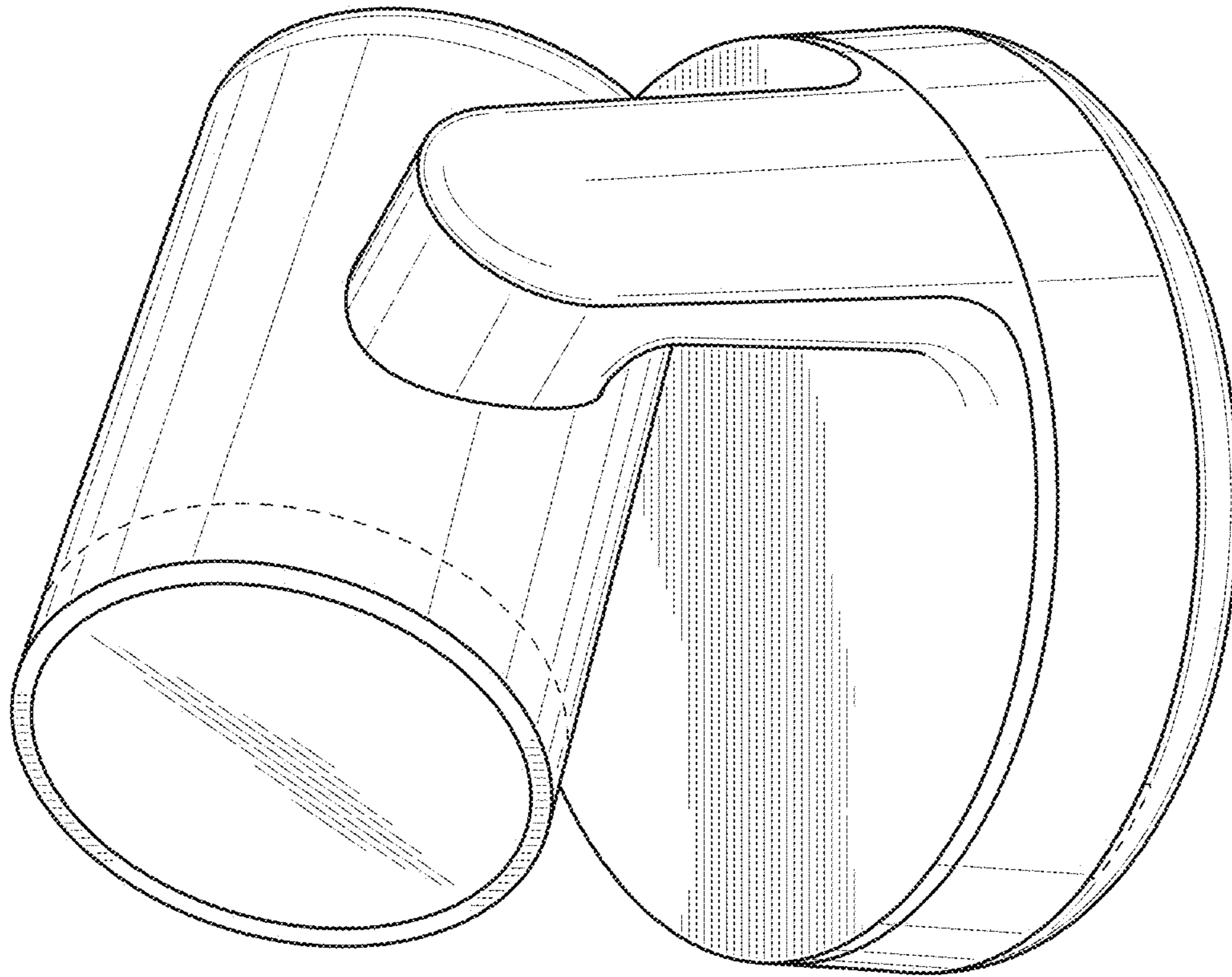


FIG. 5

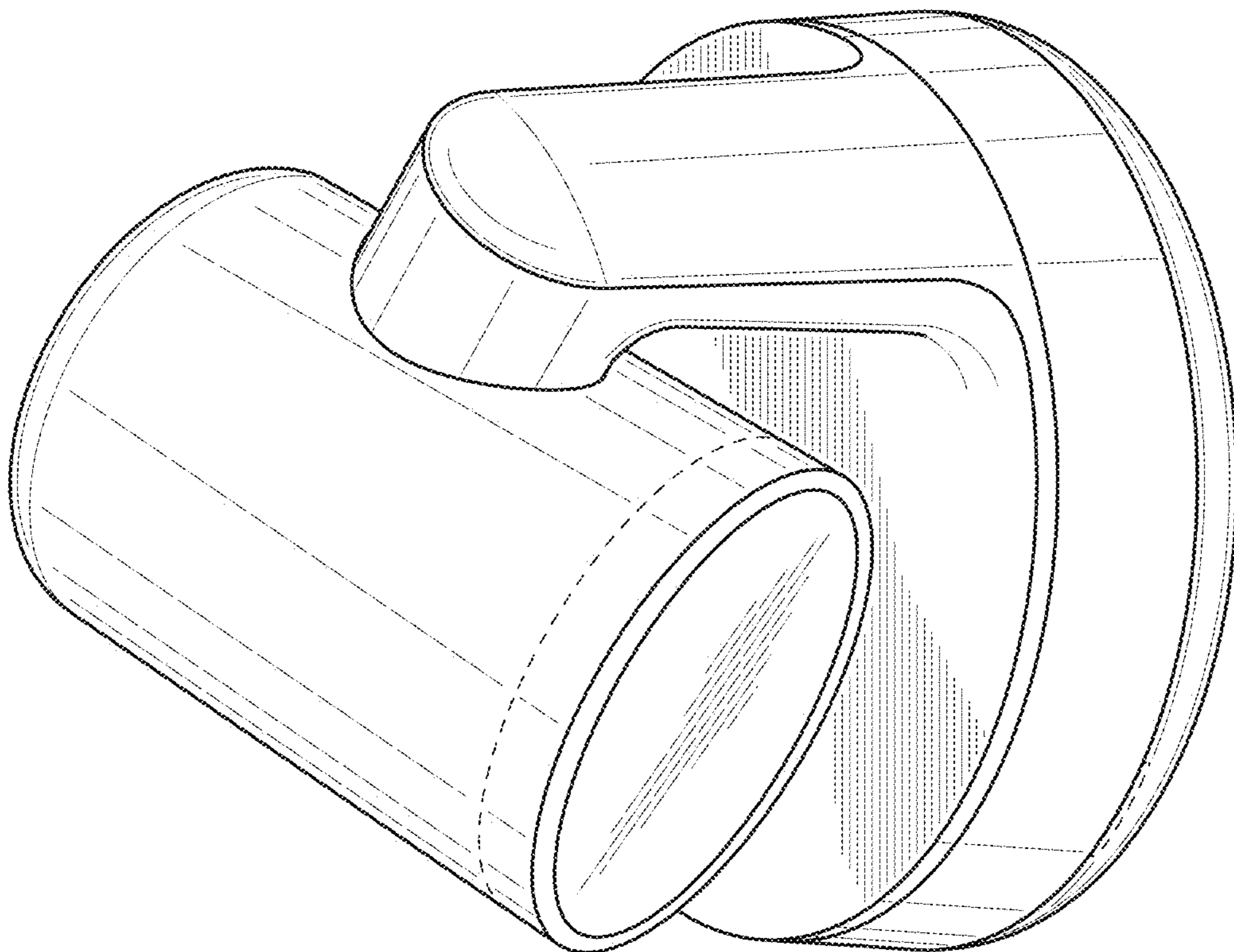


FIG. 4

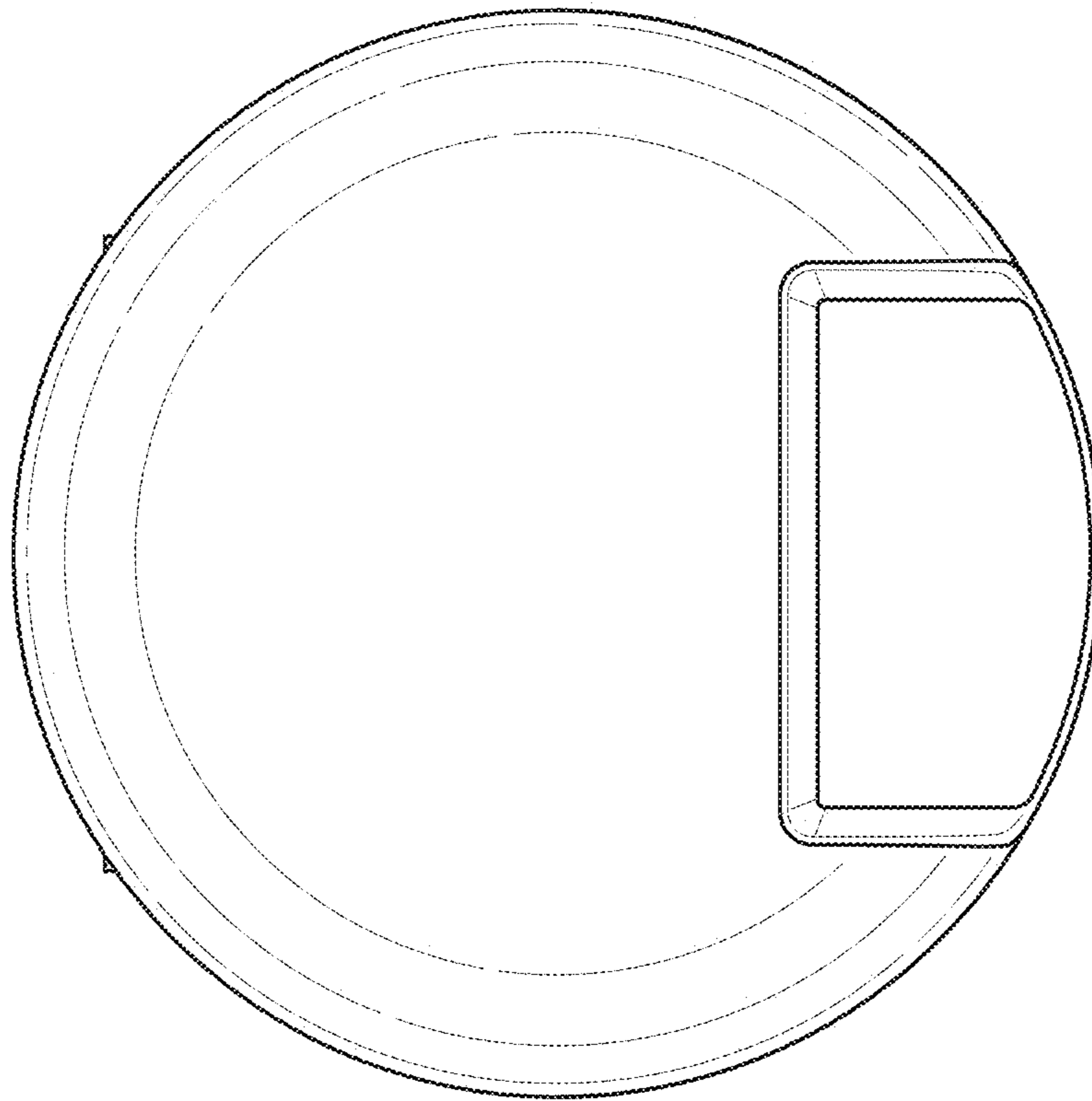


FIG. 7

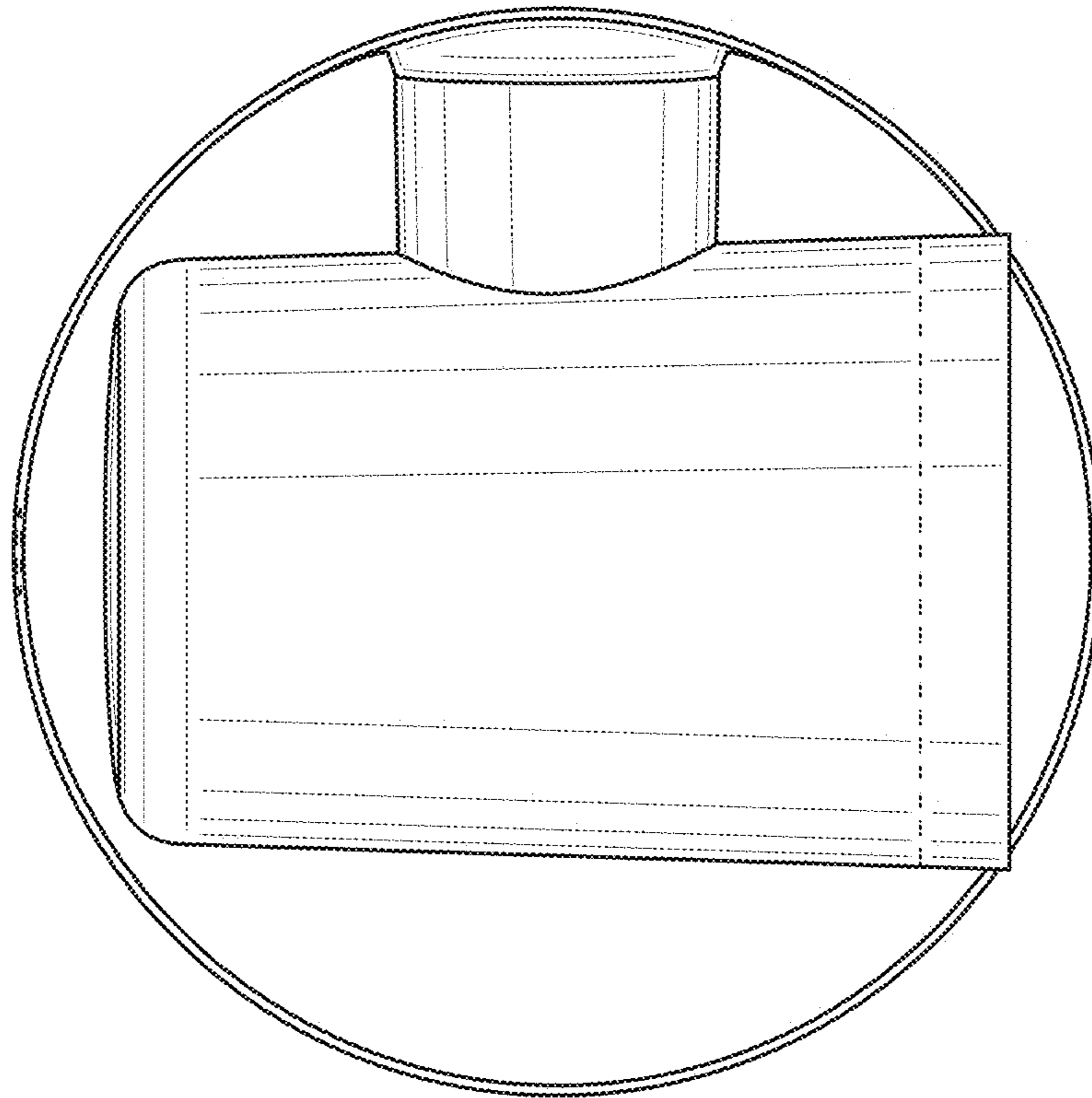


FIG. 6

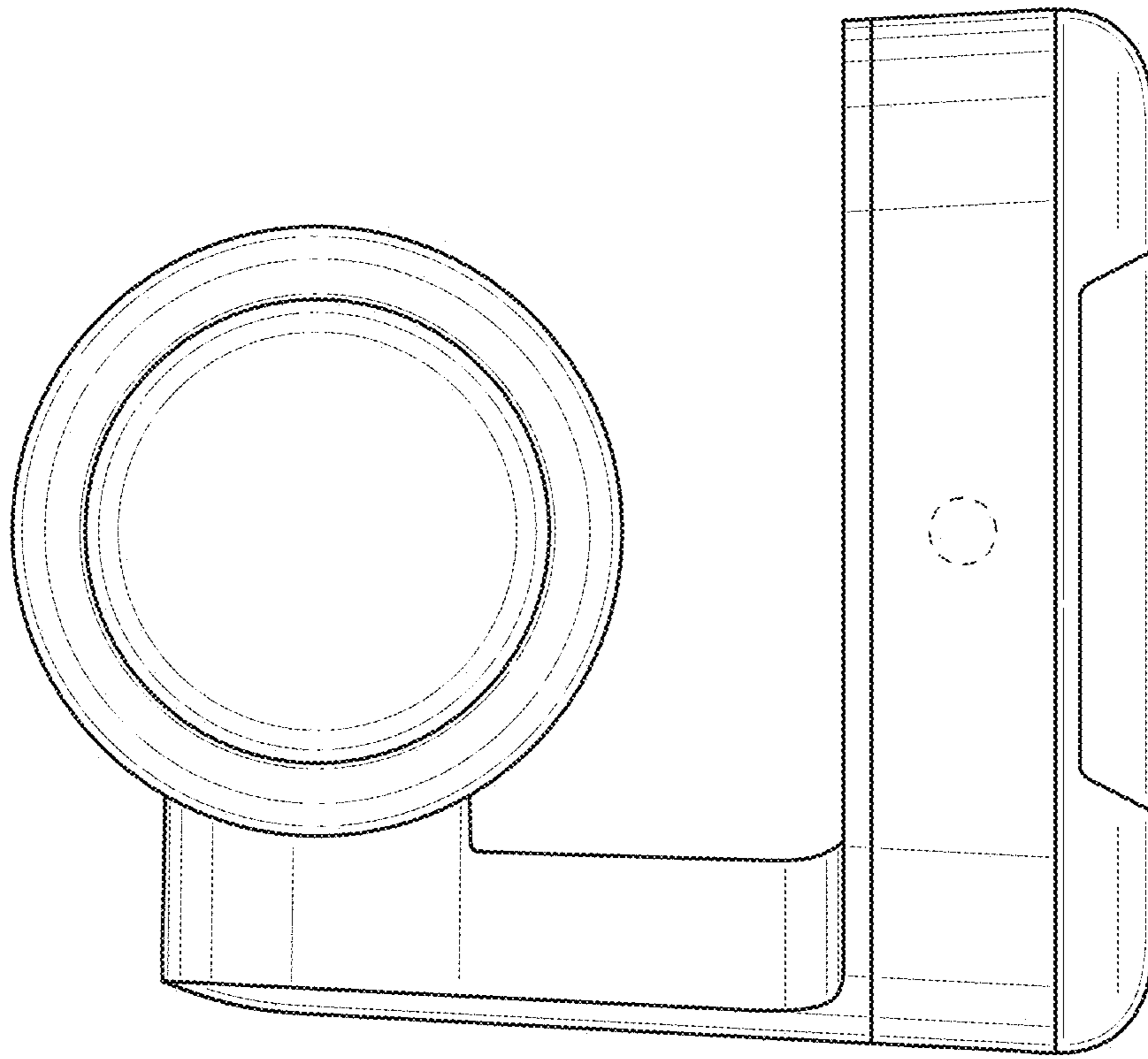


FIG. 9

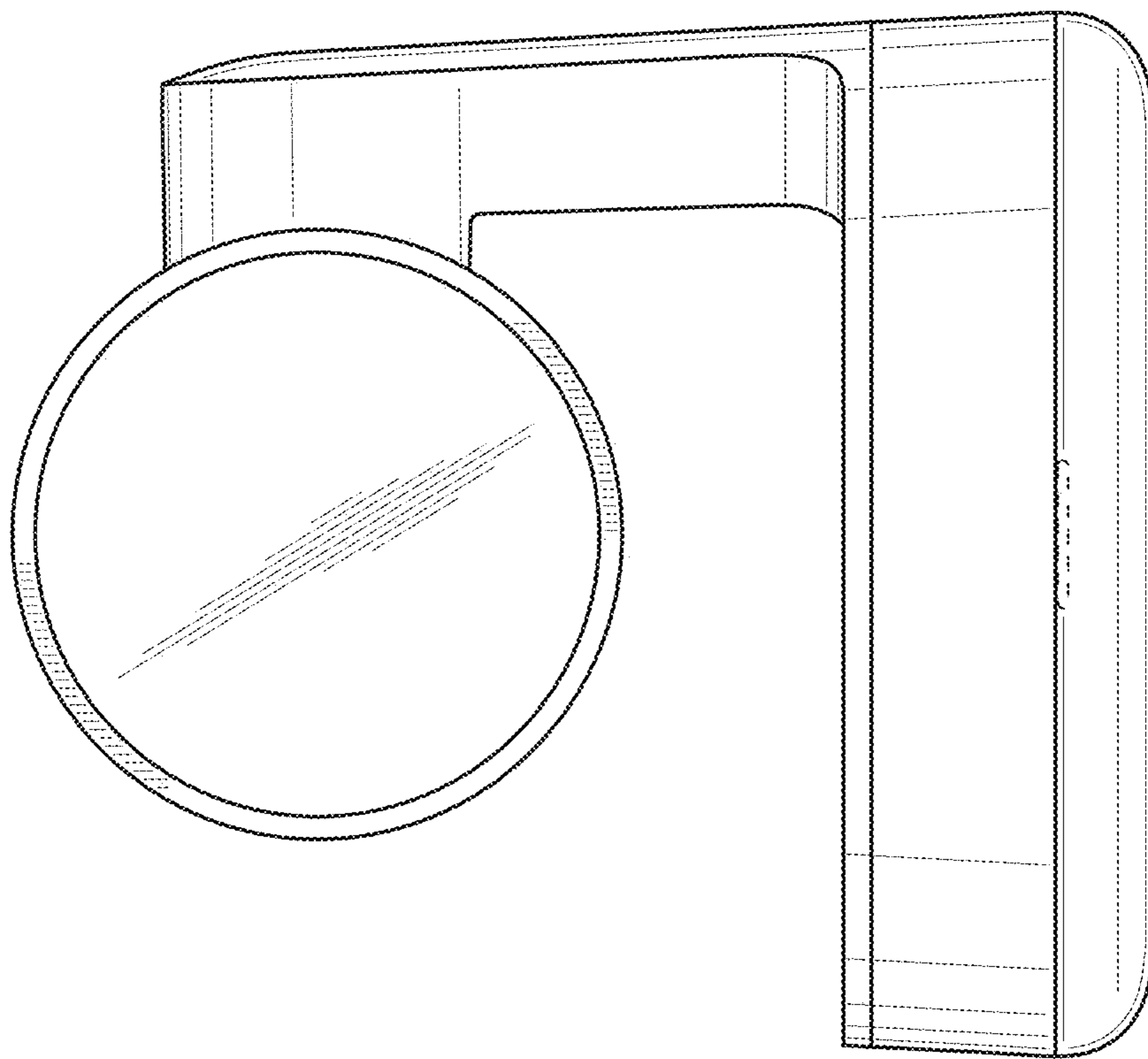


FIG. 8

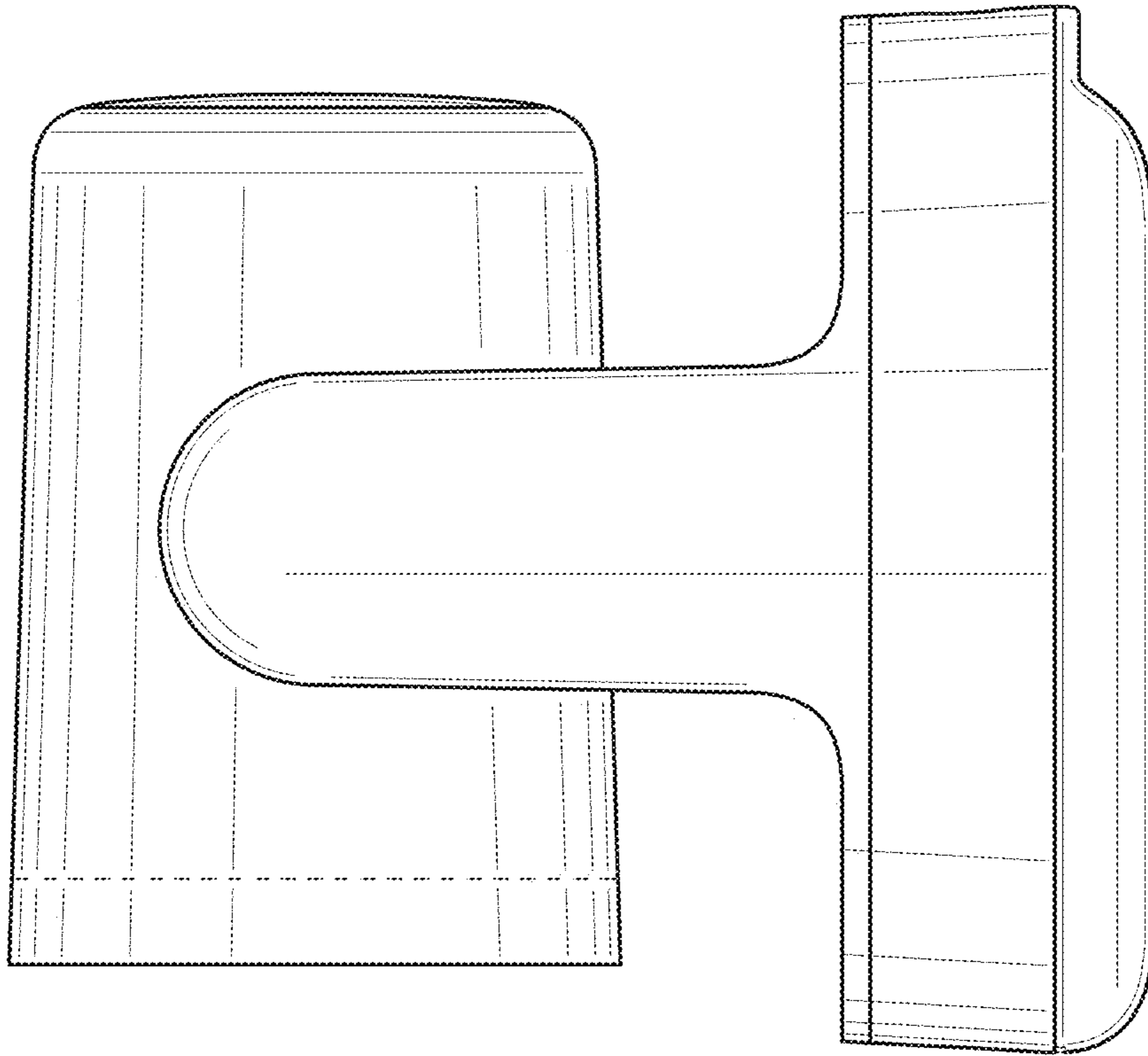


FIG. 11

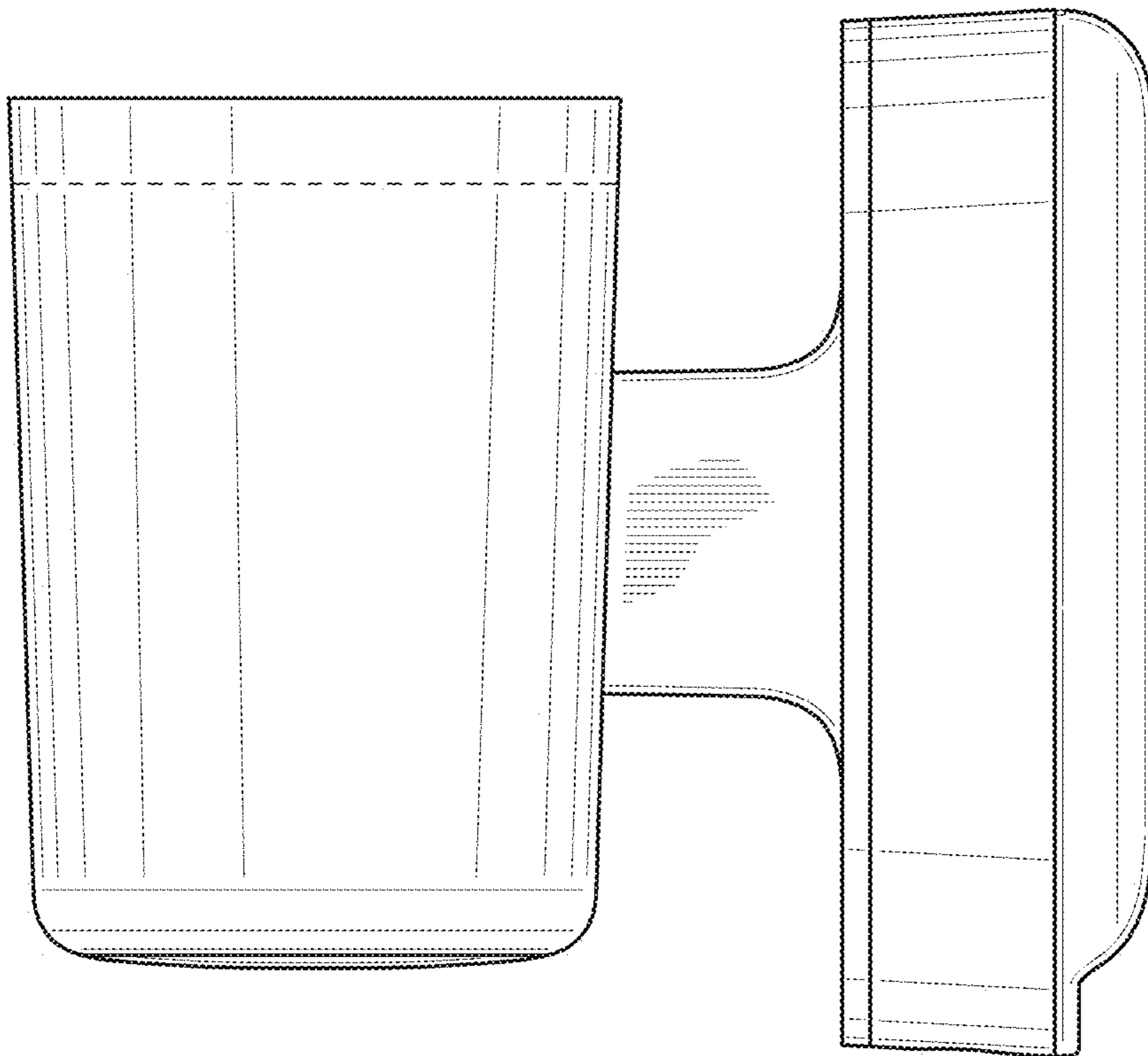


FIG. 10