



US00D888123S

(12) **United States Design Patent**  
**Han et al.**

(10) **Patent No.:** **US D888,123 S**  
(45) **Date of Patent:** **\*\* Jun. 23, 2020**

(54) **SURGICAL MICROSCOPE**

- (71) Applicant: **Carl Zeiss Meditec AG**, Jena (DE)
- (72) Inventors: **Xiao Han**, Shanghai (CN); **Jian Jin**, Shanghai (CN)
- (73) Assignee: **Carl Zeiss Meditec AG**, Jena (DE)
- (\*\*) Term: **15 Years**
- (21) Appl. No.: **29/614,459**
- (22) Filed: **Aug. 18, 2017**

(30) **Foreign Application Priority Data**

Feb. 20, 2017 (CN) ..... 2017 3 0044244

(51) **LOC (12) Cl.** ..... **16-06**

(52) **U.S. Cl.**  
USPC ..... **D16/132**

(58) **Field of Classification Search**  
USPC ..... D16/130, 132, 136, 237  
CPC ..... G02B 23/16  
See application file for complete search history.

(56) **References Cited**

**U.S. PATENT DOCUMENTS**

D482,708 S *	11/2003	Matuschek	.....	D16/131
D488,823 S *	4/2004	Asaka	.....	D16/131
D502,194 S *	2/2005	Suzuki	.....	D16/131
6,982,827 B2	1/2006	Mora		
D643,866 S	8/2011	Apotheloz		
D674,424 S	1/2013	Apotheloz		
D690,342 S *	9/2013	Funakoshi	.....	D16/131
D722,094 S *	2/2015	Nauli	.....	D16/131
D723,079 S *	2/2015	Nauli	.....	D16/131

**FOREIGN PATENT DOCUMENTS**

CN	301574417 S	6/2011
CN	301654601 S	8/2011
CN	302044090 S	8/2012
CN	303606003 S	3/2016

**OTHER PUBLICATIONS**

- OPMI pico from Zeiss, publisher: www.zeiss.com.cn, pp. 1 to 4, 2014.
- LEICA M320 for Dentistry, publisher: www.kavo.com, www.leica-microsystems.com, pp. 1 to 12, 2015.
- LEICA M320, publisher: www.bondent.net, www.leica-microsystems.com, pp. 1 to 12, 2019.

\* cited by examiner

*Primary Examiner* — Holly E Thurman

(74) *Attorney, Agent, or Firm* — Walter Ottesen, P.A.

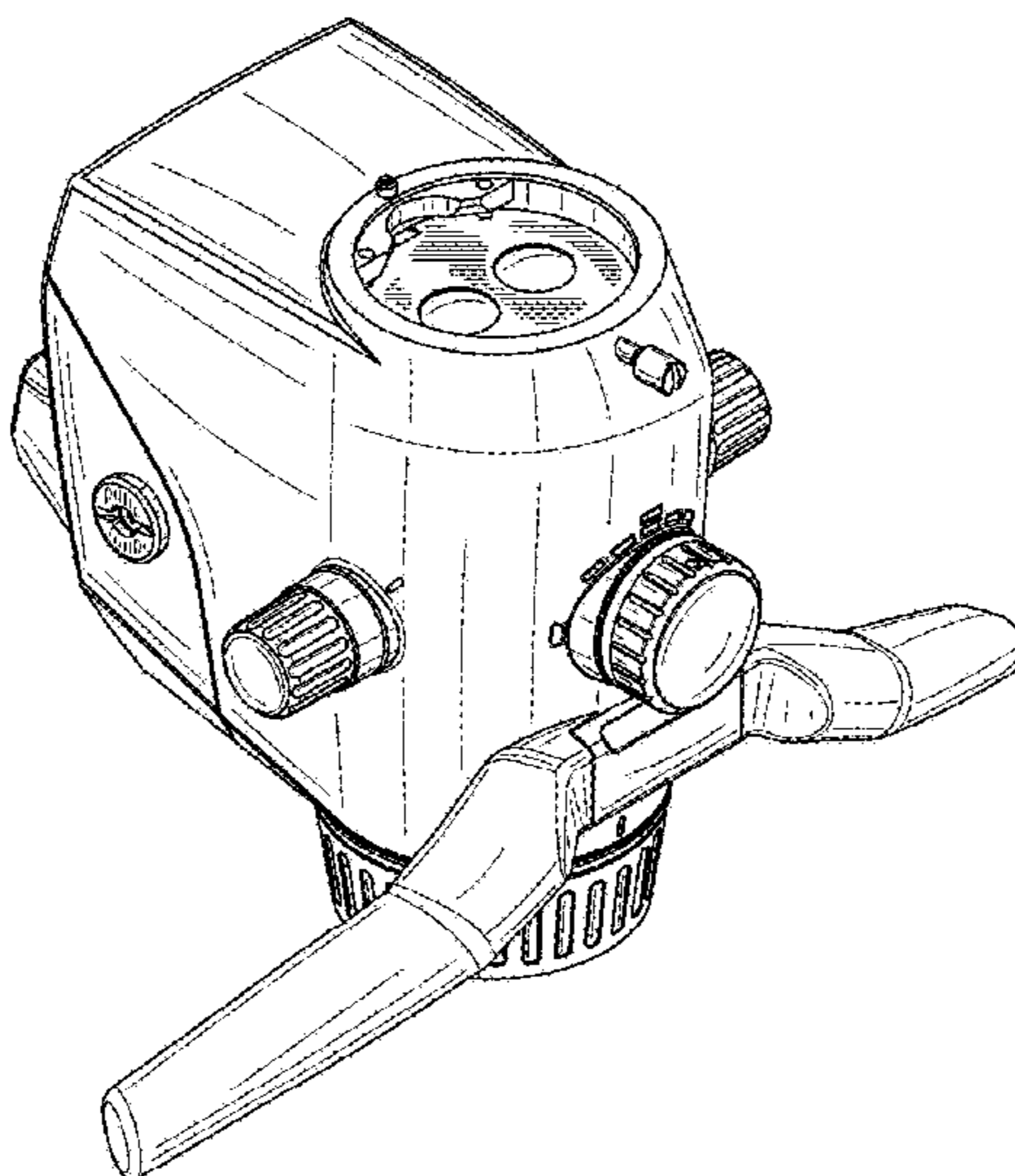
(57) **CLAIM**

The ornamental design for a surgical microscope, as shown and described.

**DESCRIPTION**

FIG. 1 is a perspective view of a first embodiment of a surgical microscope of our new design;  
 FIG. 2 is a front elevation view of the surgical microscope of FIG. 1;  
 FIG. 3 is a rear elevation view of the surgical microscope of FIG. 1;  
 FIG. 4 is a right side elevation view of the surgical microscope of FIG. 1;  
 FIG. 5 is a left side elevation view of the surgical microscope of FIG. 1;  
 FIG. 6 is a top plan view of the surgical microscope of FIG. 1; and,  
 FIG. 7 is a bottom plan view of the surgical microscope of FIG. 1.  
 The broken lines depict portions of the surgical microscope which form no part of the claimed design.

**1 Claim, 7 Drawing Sheets**



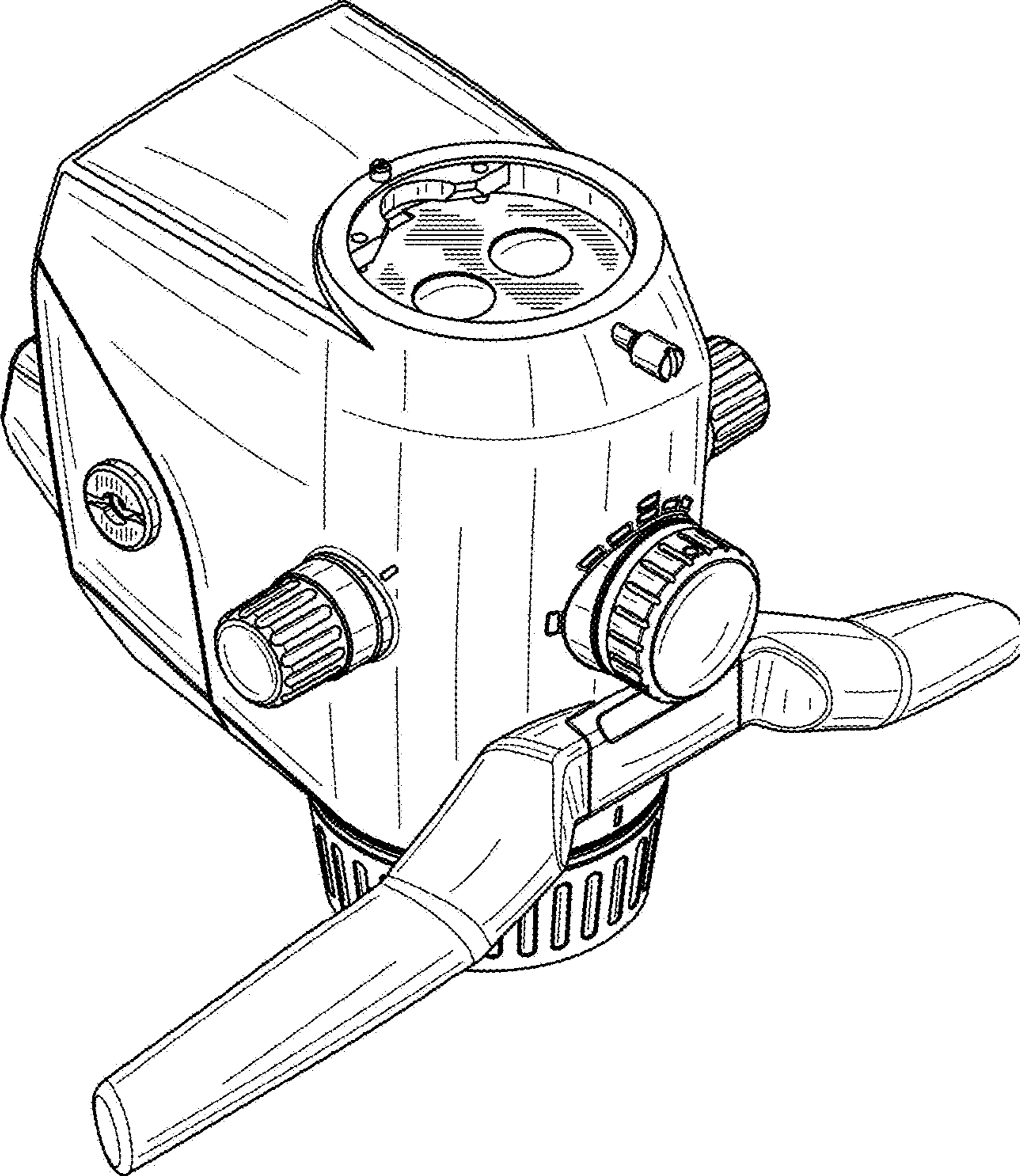


FIG. 1

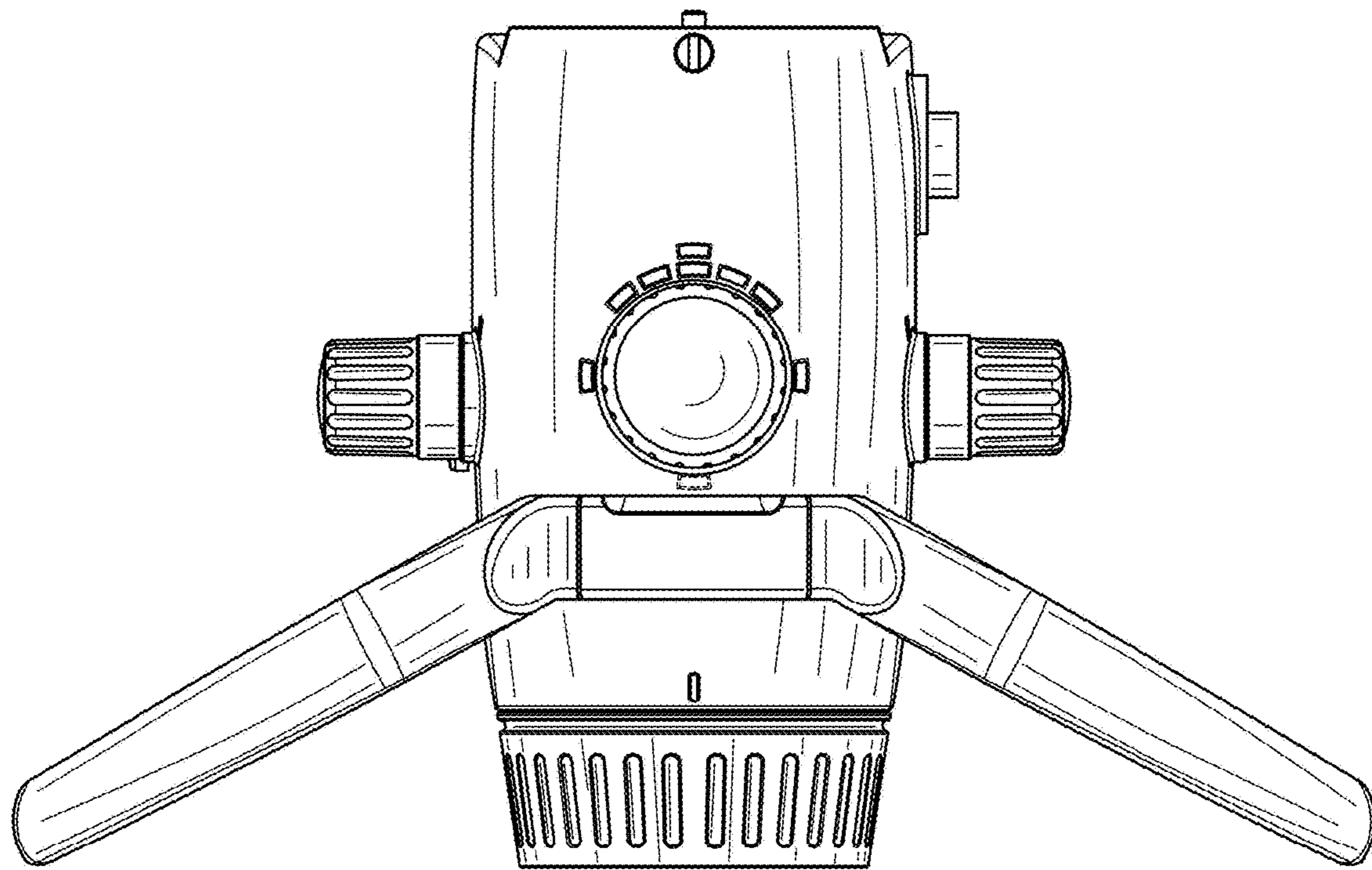


FIG. 2

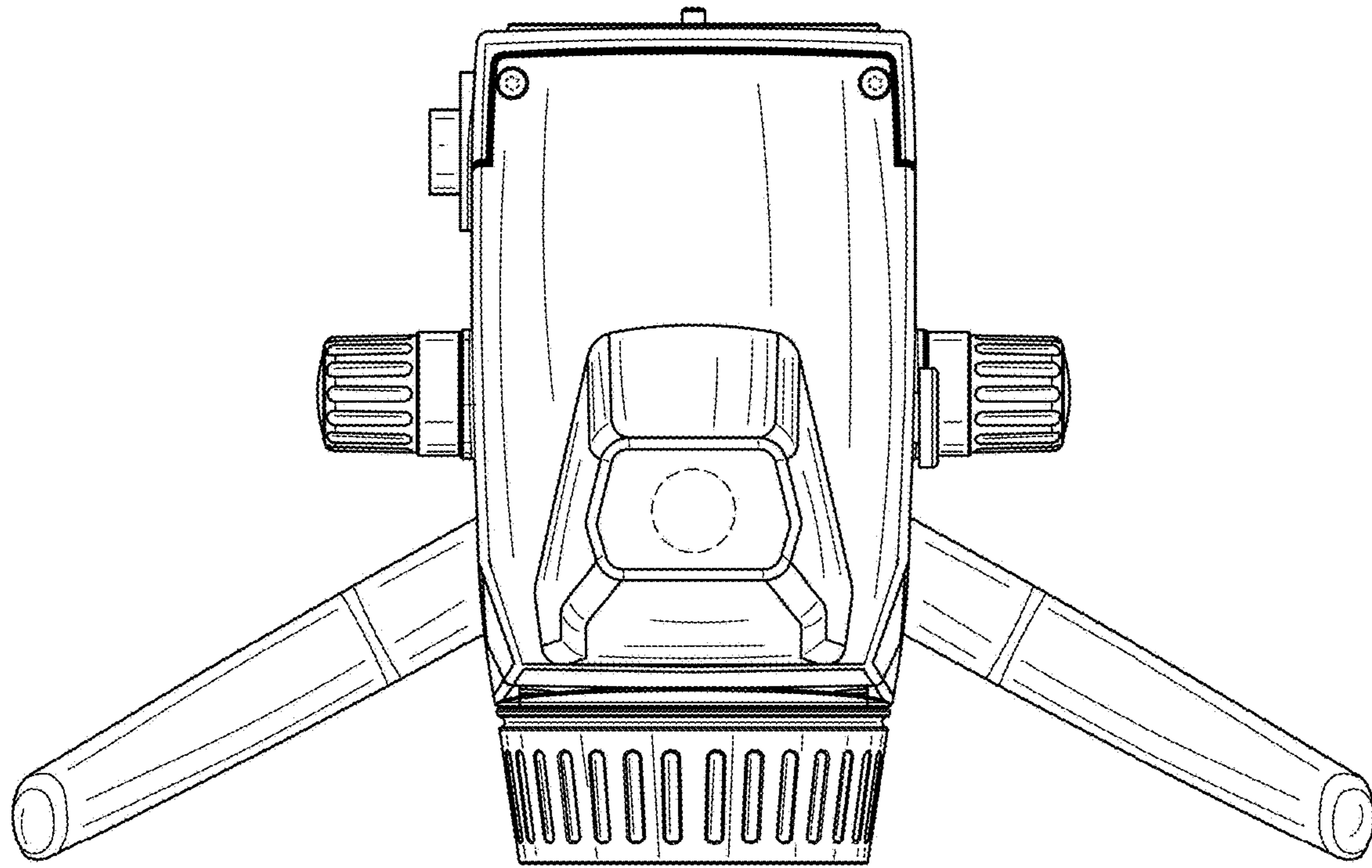


FIG. 3

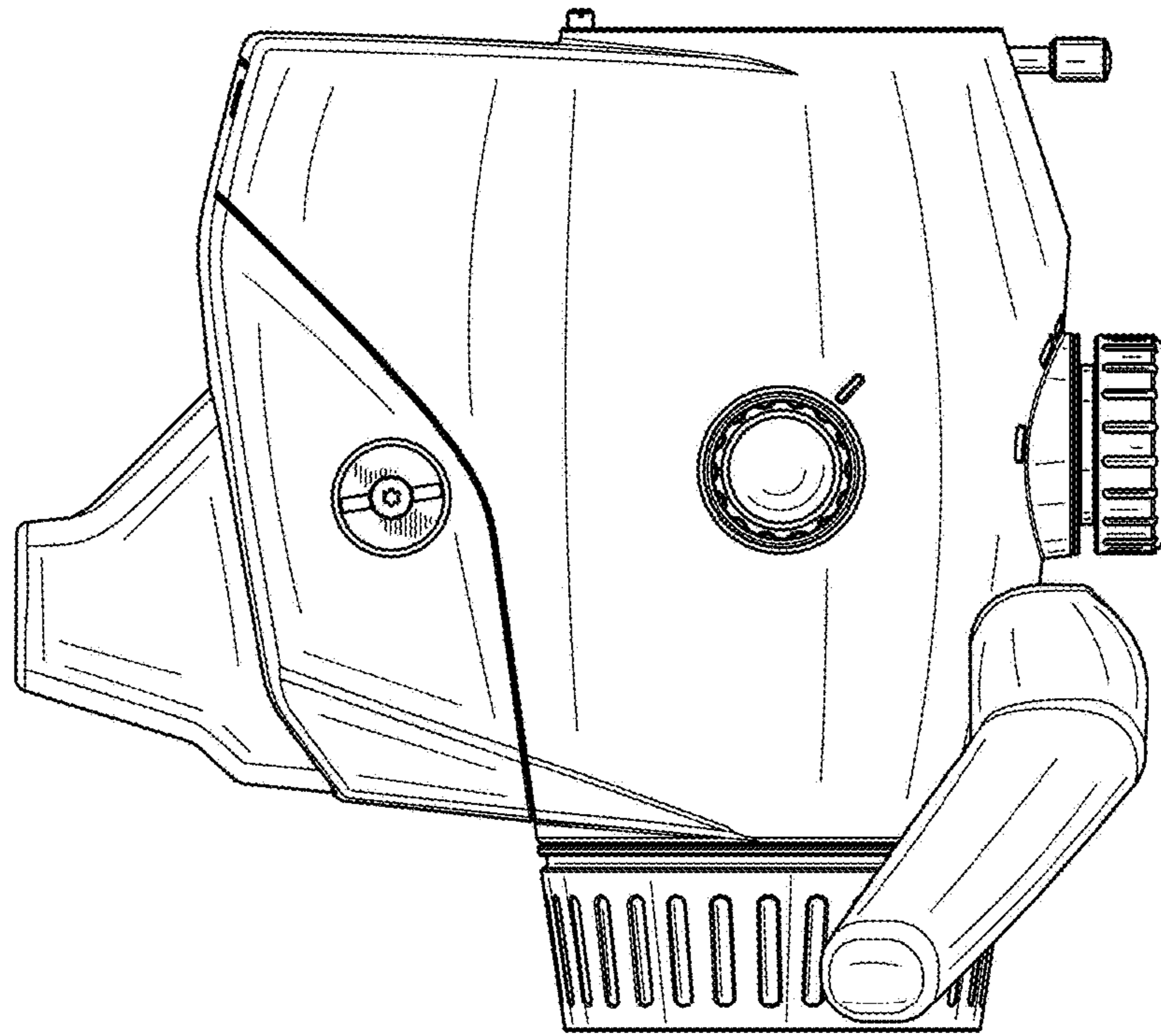


FIG. 4

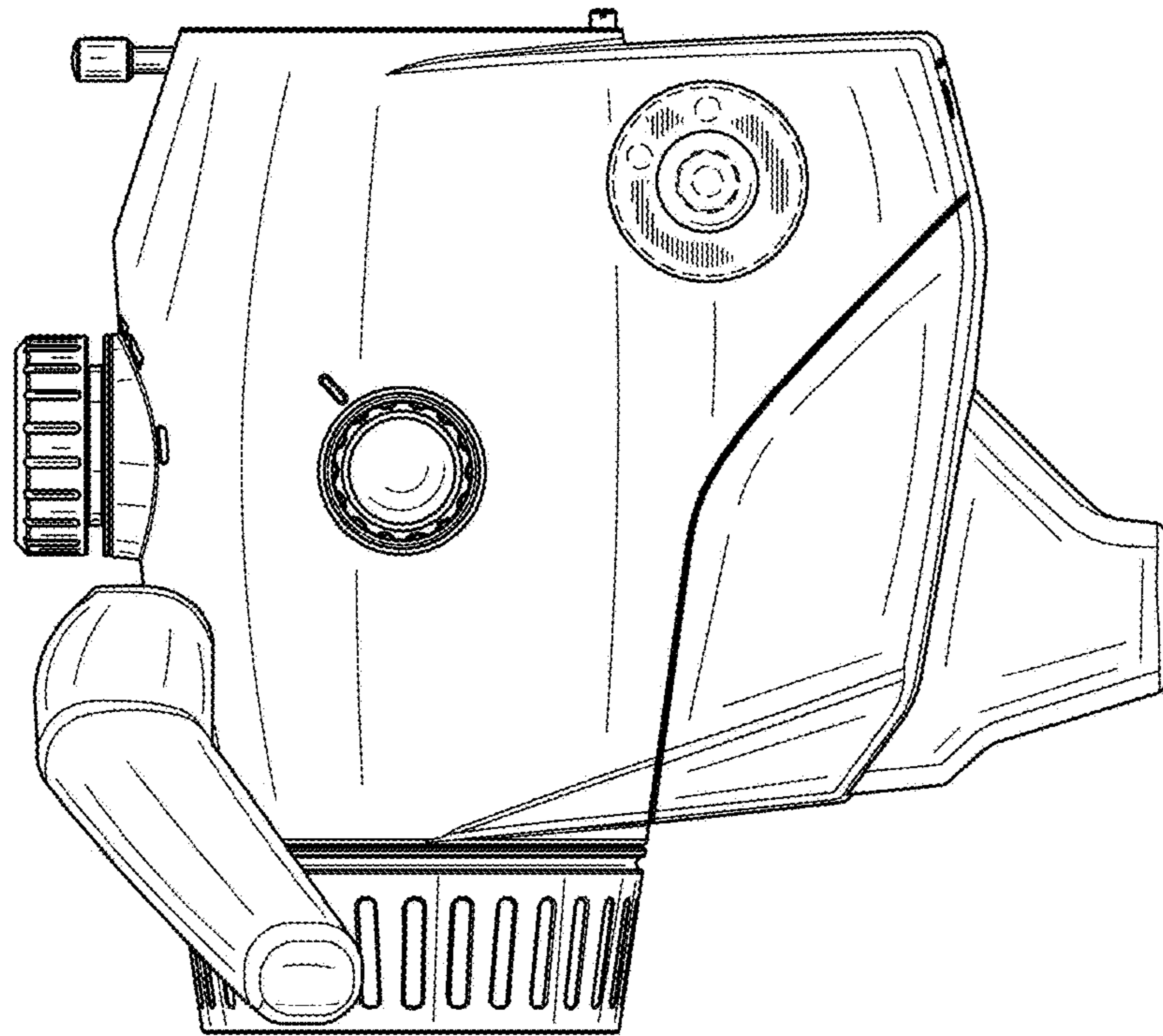


FIG. 5

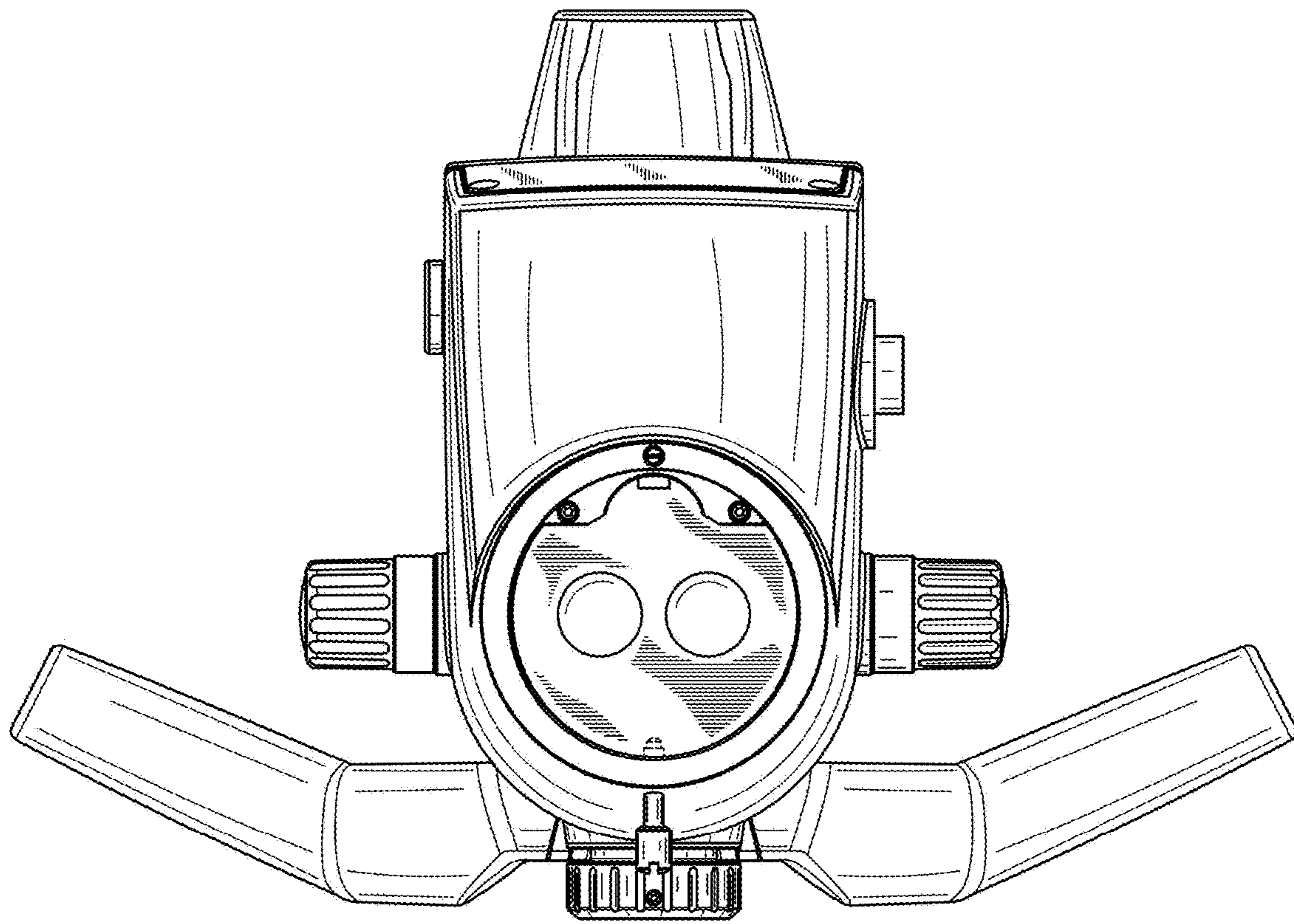


FIG. 6

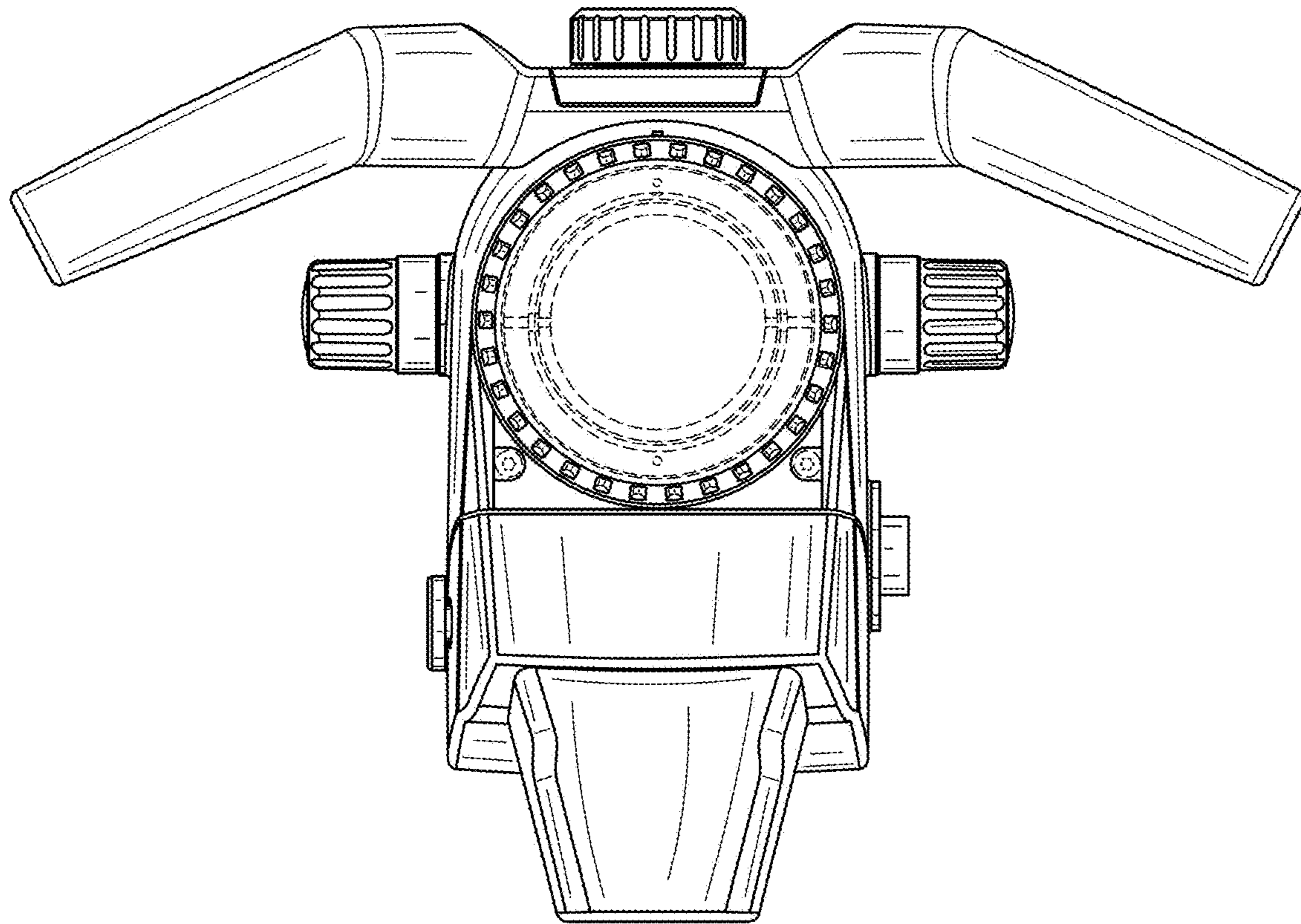


FIG. 7