



US00D888121S

(12) **United States Design Patent**
Kim et al.

(10) **Patent No.:** **US D888,121 S**
(45) **Date of Patent:** **** Jun. 23, 2020**

- (54) **ARTIFICIAL INTELLIGENCE ROBOT**
- (71) Applicant: **Samsung Electronics Co., Ltd.**,
Suwon-si (KR)
- (72) Inventors: **Donghun Kim**, Suwon-si (KR);
Kicheol Pak, Suwon-si (KR); **Jooho**
Seo, Suwon-si (KR); **Minhyouk Lee**,
Suwon-si (KR); **Sungho Lee**, Suwon-si
(KR)
- (73) Assignee: **Samsung Electronics Co., Ltd.**,
Suwon-si (KR)
- (**) Term: **15 Years**
- (21) Appl. No.: **29/686,420**
- (22) Filed: **Apr. 4, 2019**
- (30) **Foreign Application Priority Data**

Dec. 20, 2018 (KR) 30-2018-0060640

- (51) **LOC (12) Cl.** **15-99**
- (52) **U.S. Cl.**

USPC **D15/199**

- (58) **Field of Classification Search**
- USPC D15/199; D21/578–583, 621, 622;
D32/21
- CPC B25J 5/007; B60B 19/006; B62D 57/024;
H01F 7/0221; Y10S 901/01
- See application file for complete search history.

(56) **References Cited**

U.S. PATENT DOCUMENTS

- D450,788 S * 11/2001 Kawasaki D21/578
- D457,200 S * 5/2002 Dove D21/533
- D549,756 S * 8/2007 Park D15/199
- D579,035 S * 10/2008 Kim B25J 11/008
D15/199
- D635,603 S * 4/2011 Paz Rodriguez D15/199

- D644,256 S * 8/2011 Kitano D15/199
- D725,166 S * 3/2015 Paik D15/199
- D761,894 S * 7/2016 Ho D15/199
- D777,810 S * 1/2017 Kao D15/122
- D780,855 S * 3/2017 Lambert D21/621
- D793,145 S * 8/2017 Huang D15/199
- D802,040 S * 11/2017 Canoso D15/199
- 9,878,445 B2 * 1/2018 Angle B25J 5/007
- D813,281 S * 3/2018 Kittmann B25J 5/007
D15/199

(Continued)

Primary Examiner — Patricia A Palasik

(74) *Attorney, Agent, or Firm* — NSIP Law

(57) **CLAIM**

We claim the ornamental design for an artificial intelligence robot, as shown and described.

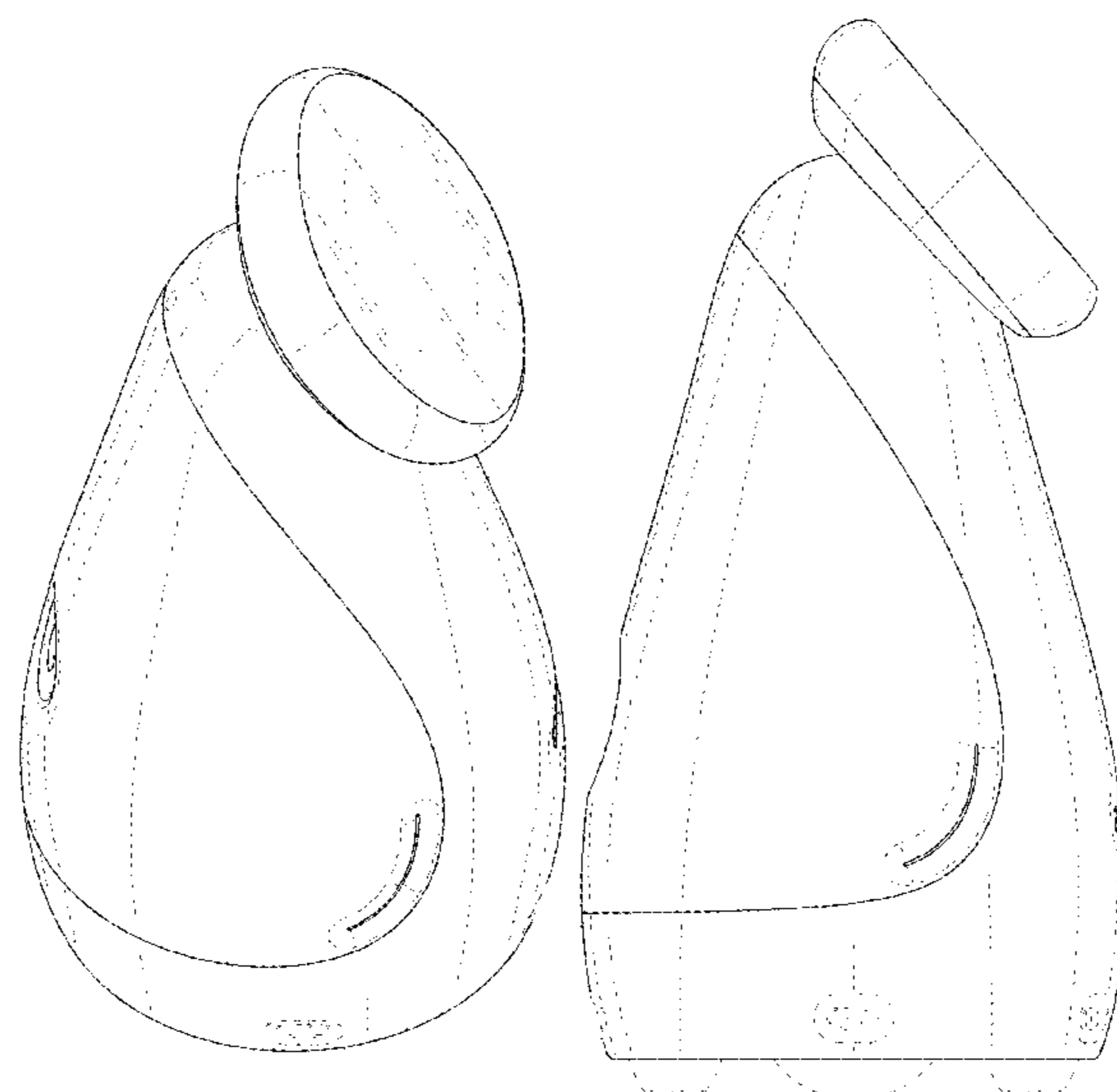
DESCRIPTION

FIG. 1 is a front perspective view of an artificial intelligence robot showing our new design;
 FIG. 2 is a front view thereof;
 FIG. 3 is a rear view thereof;
 FIG. 4 is a left-side view thereof;
 FIG. 5 is a right-side view thereof;
 FIG. 6 is a top view thereof;
 FIG. 7 is a bottom view thereof;
 FIG. 8 is a second front perspective view thereof;
 FIG. 9 is a rear perspective view thereof;
 FIG. 10 is a third front perspective view thereof;
 FIG. 11 is an enlarged view of the encircled portion 11 in FIG. 2; and,
 FIG. 12 is an enlarged view of the encircled portion 12 in FIG. 10.

The broken lines in the figures depict portions of the artificial intelligence robot which form no part of the claimed design.

The dot-dash broken lines encircling portions of the claimed design that are illustrated in enlargements form no part of the claimed design.

1 Claim, 12 Drawing Sheets



(56)

References Cited

U.S. PATENT DOCUMENTS

D817,375	S *	5/2018	Deyle	D15/199
D820,334	S *	6/2018	Lee	D15/199
D823,917	S *	7/2018	Bernazeau	D15/199
D824,980	S *	8/2018	Harris	D15/199
D830,438	S *	10/2018	Haddadin	D15/199
D832,328	S *	10/2018	Baek	D15/199
D836,690	S *	12/2018	Kim	D15/199
D838,758	S *	1/2019	Kymm	B25J 9/0003
					D15/199
D840,453	S *	2/2019	Yoo	D15/199
D847,914	S *	5/2019	Hayashi	D21/585
D855,673	S *	8/2019	Sutherland	D15/199
D869,533	S *	12/2019	Kim	D15/199
D870,787	S *	12/2019	Kim	D15/199
2018/0178375	A1 *	6/2018	Yang	B25J 9/0003
2020/0030972	A1 *	1/2020	Kim	B25J 9/163

* cited by examiner

FIG. 1



FIG. 2

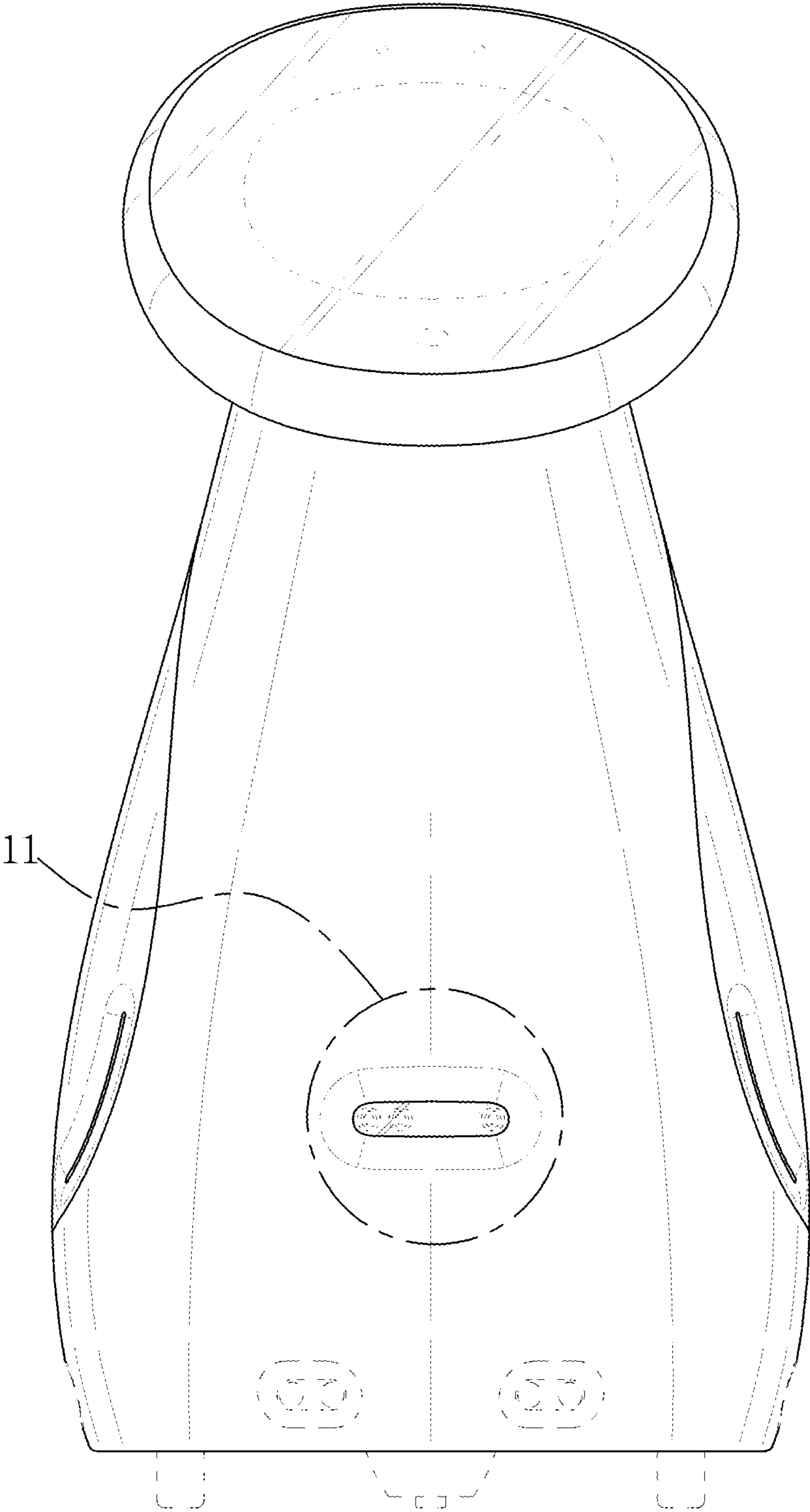


FIG. 3

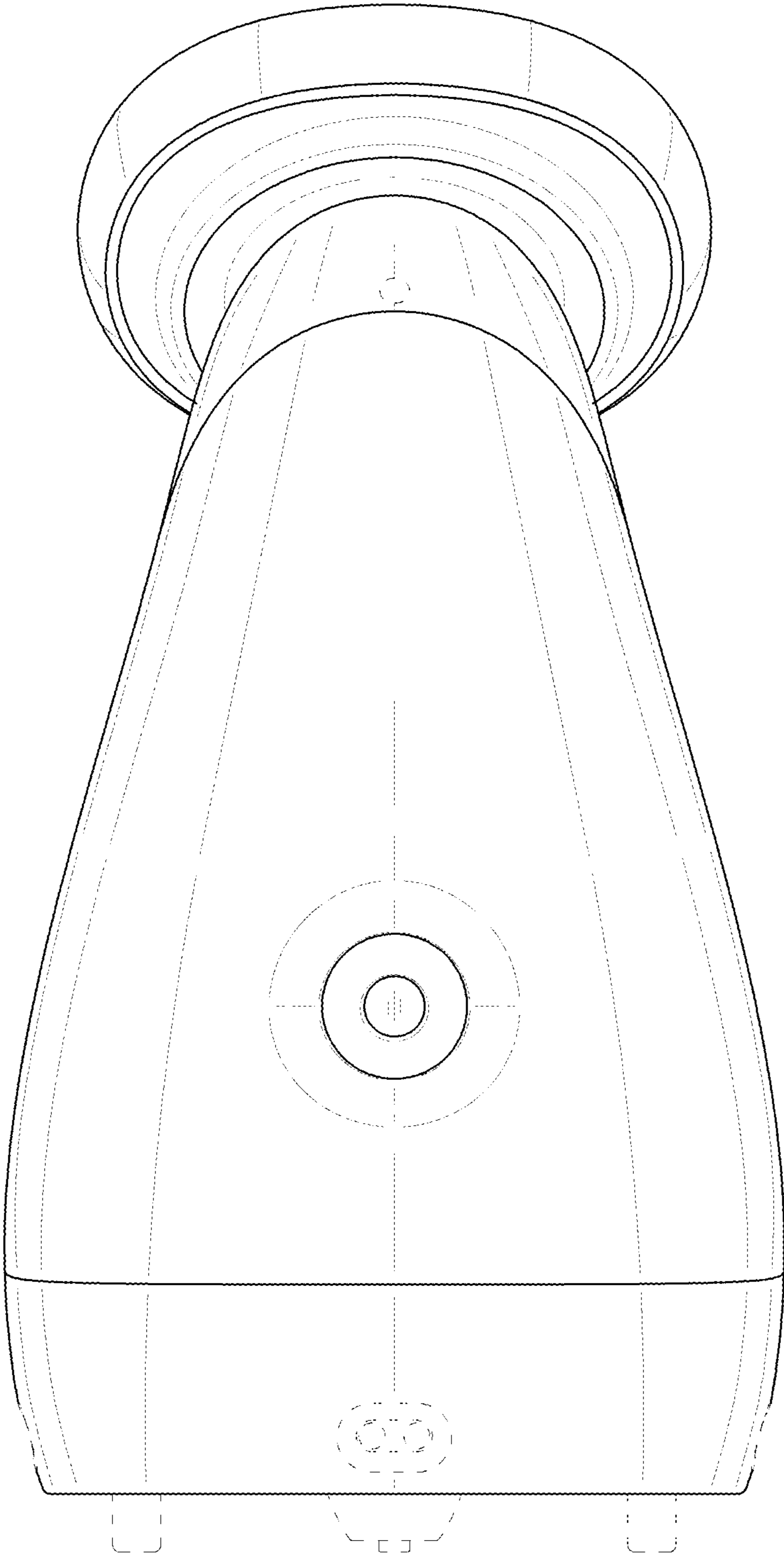


FIG. 4



FIG. 5



FIG. 6

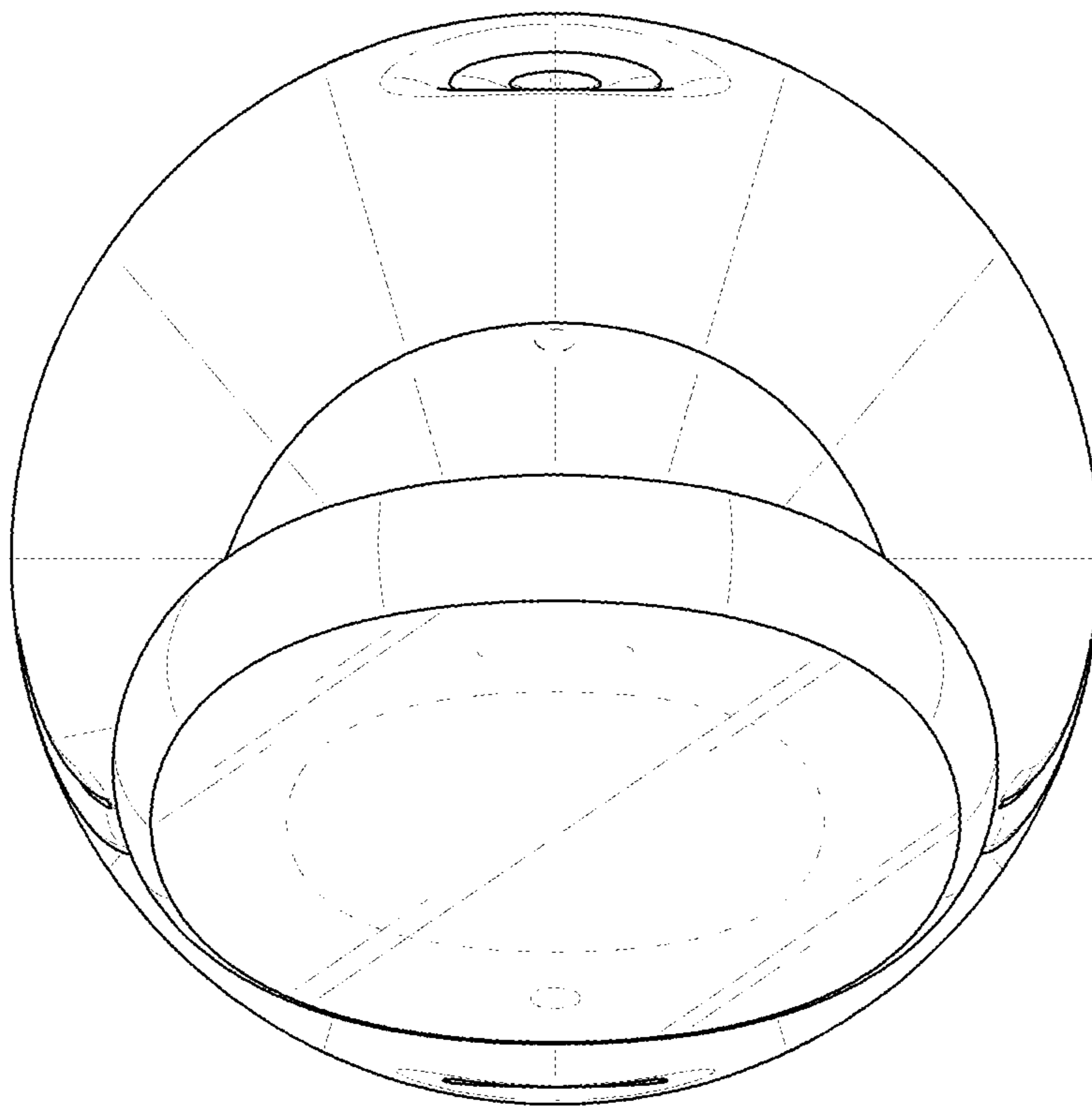


FIG. 7

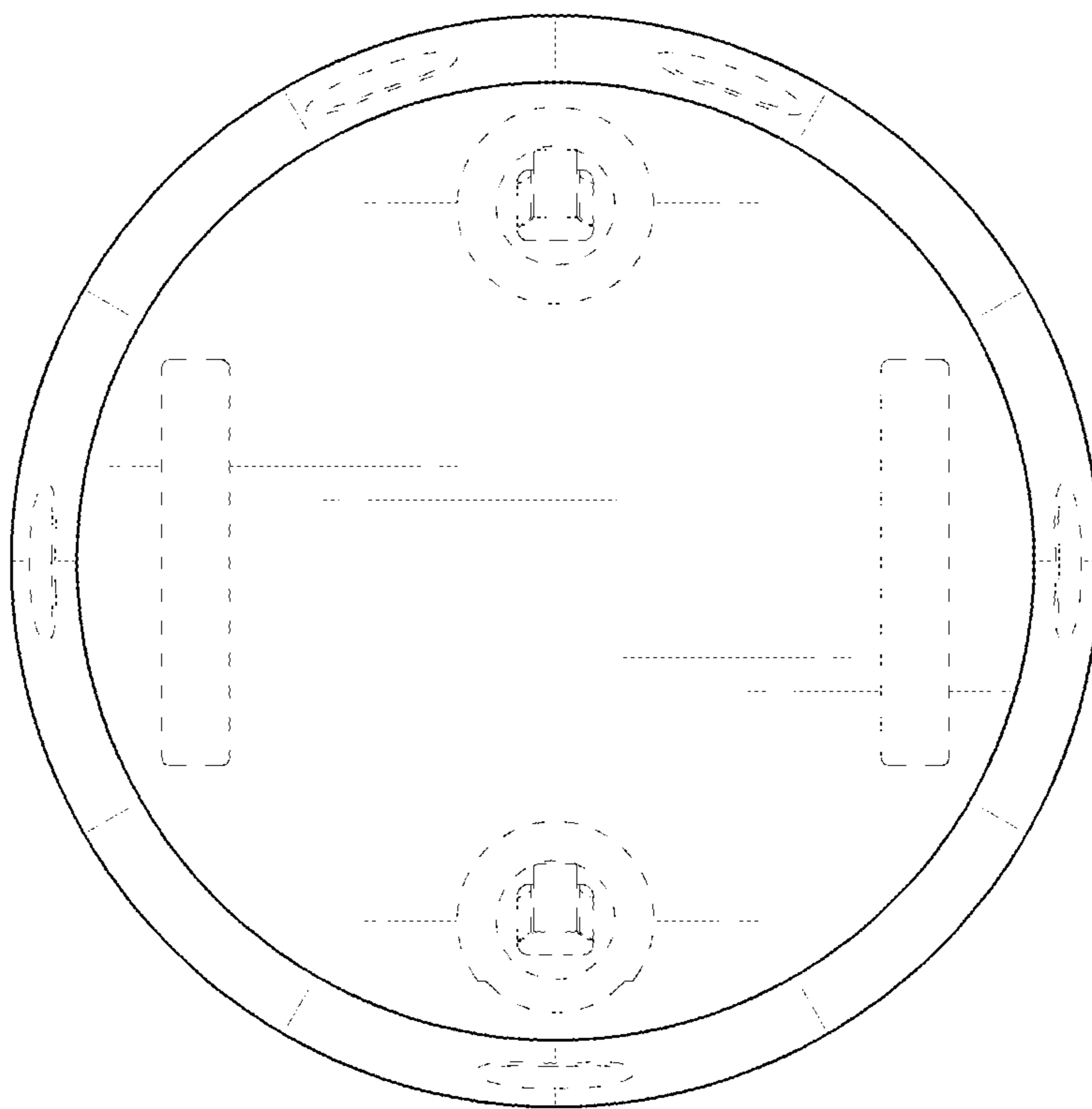


FIG. 8

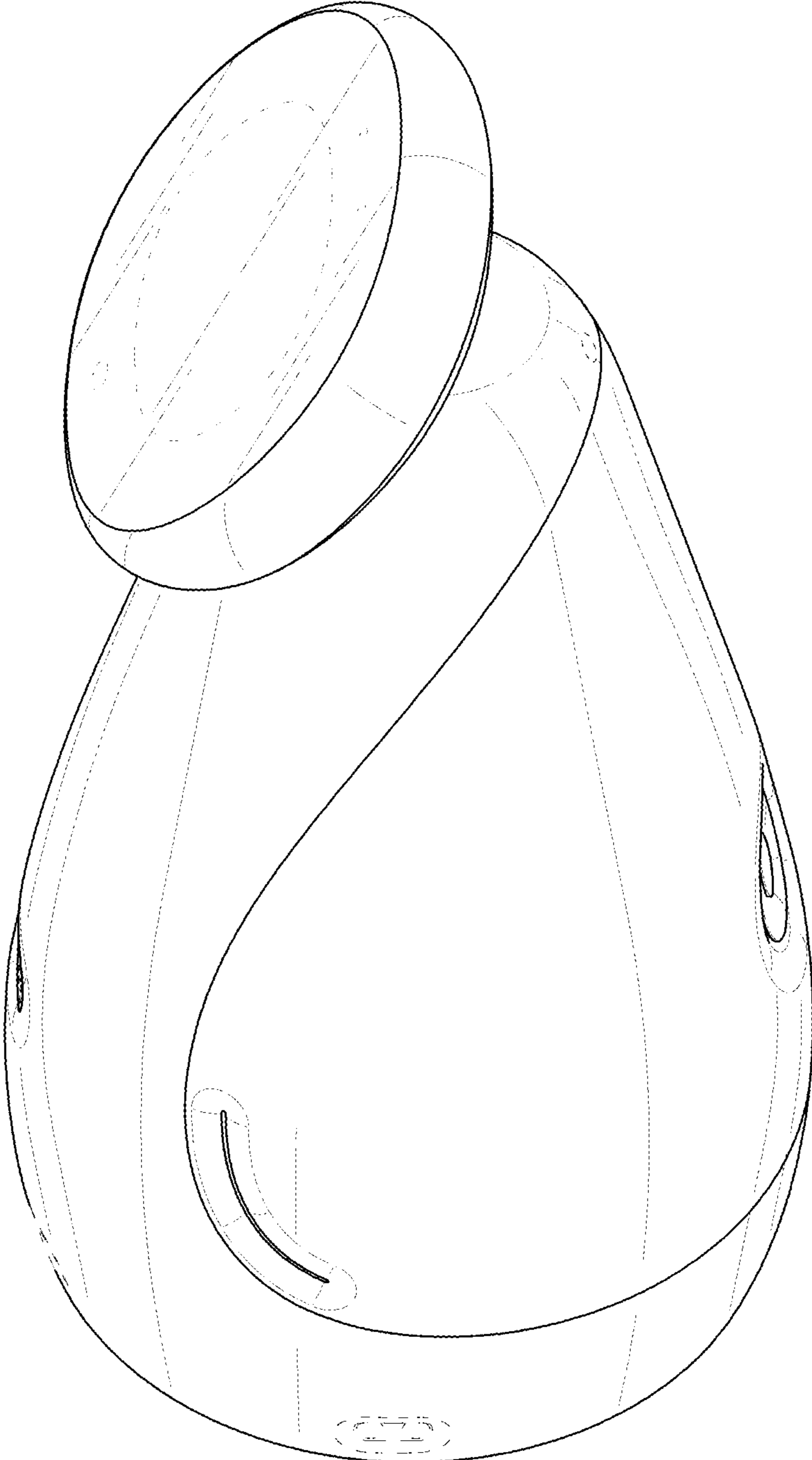


FIG. 9

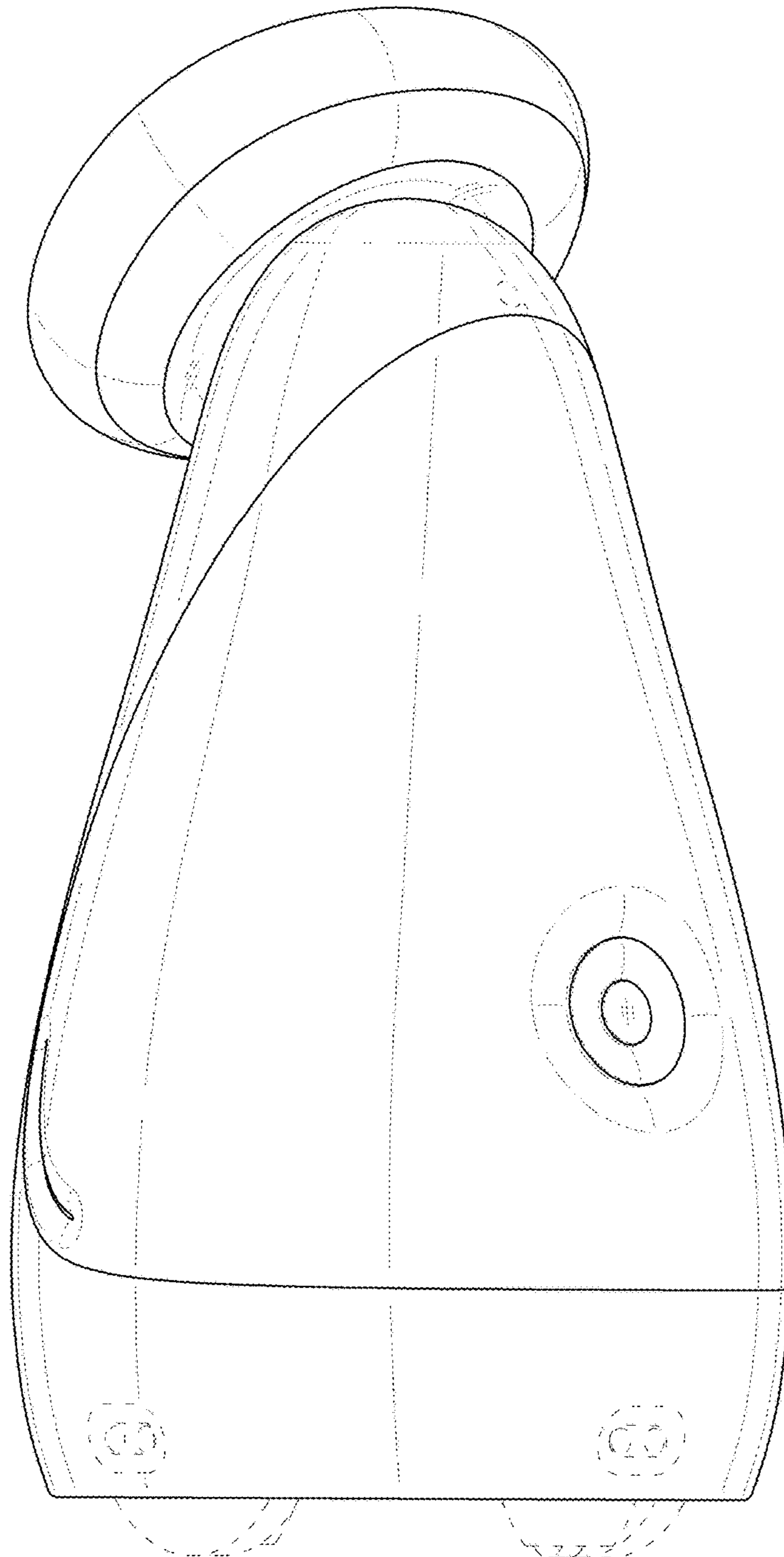


FIG. 10

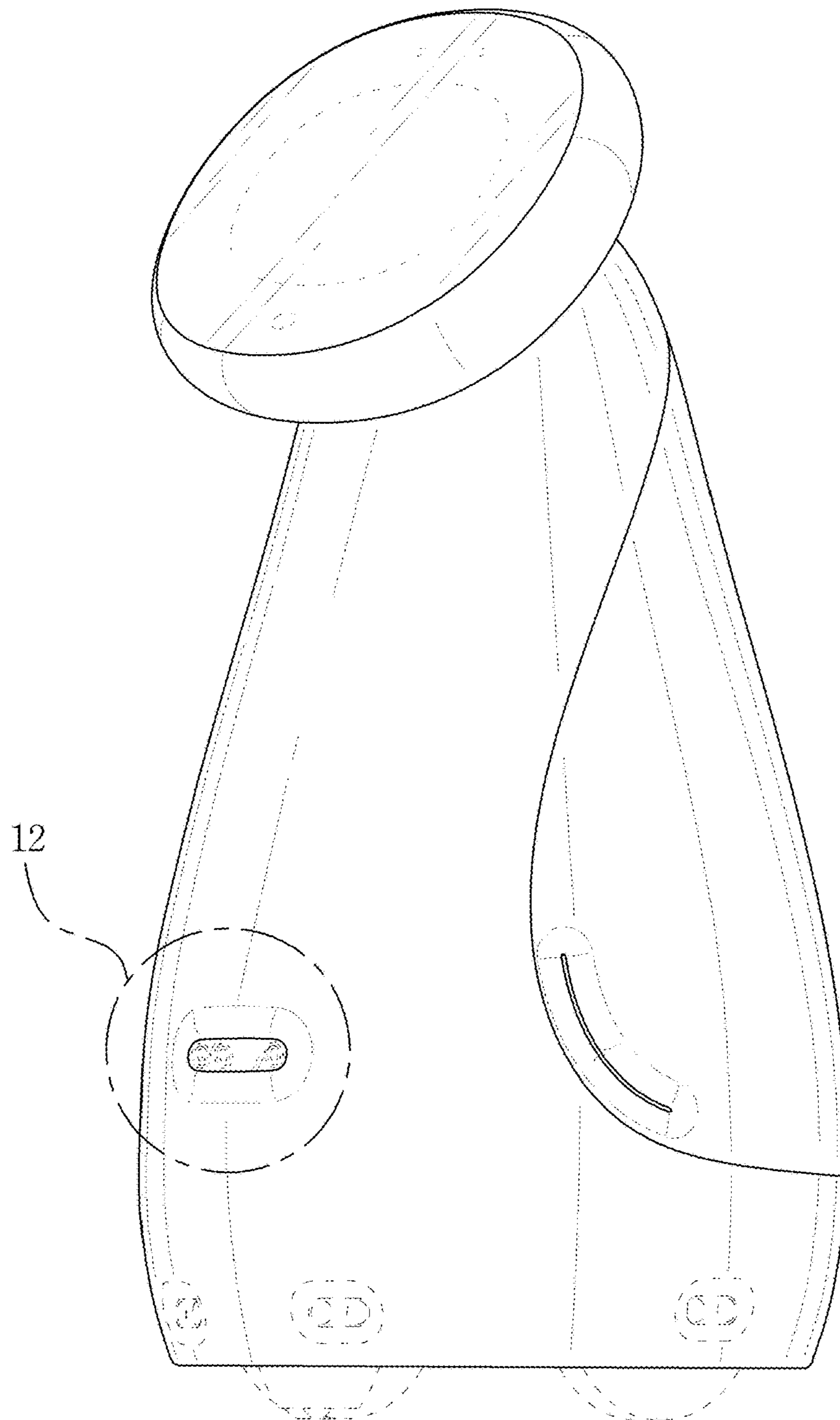


FIG. 11

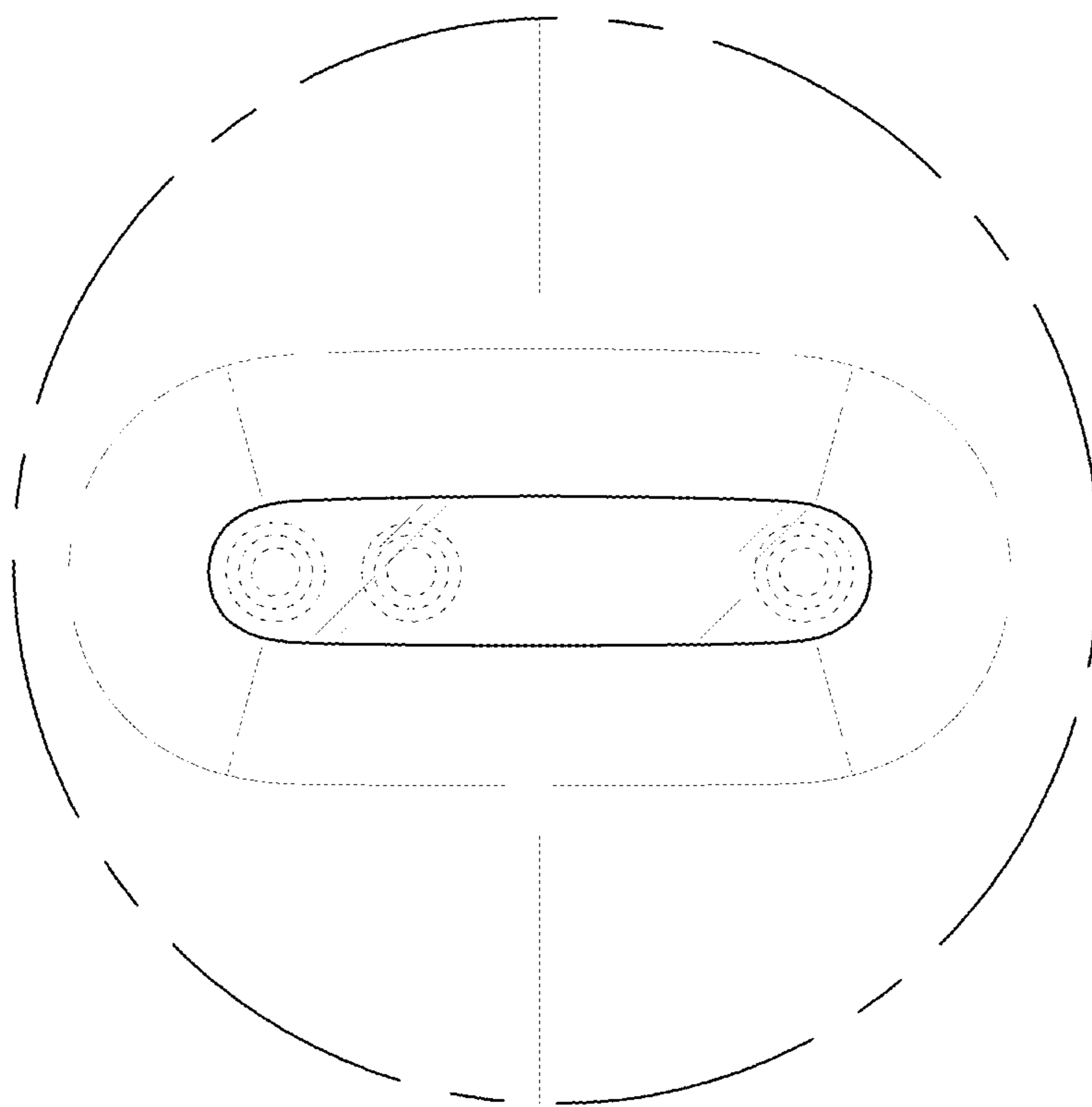


FIG. 12

