



US00D888120S

(12) **United States Design Patent** (10) **Patent No.:** **US D888,120 S**
Hurst et al. (45) **Date of Patent:** **** Jun. 23, 2020**

(54) **BIPEDAL ROBOT**
(71) Applicant: **Agility Robotics, Inc.**, Albany, OR (US)
(72) Inventors: **Jonathan Hurst**, Albany, OR (US); **Andrew Abate**, Albany, OR (US); **Mitchell Bernards**, Albany, OR (US); **Anh Nguyen**, San Mateo, CA (US); **Hoang M Nguyen**, San Mateo, CA (US)
(73) Assignee: **AGILITY ROBOTICS, INC.**, Albany, OR (US)
(**) Term: **15 Years**
(21) Appl. No.: **29/681,354**
(22) Filed: **Feb. 25, 2019**
(51) **LOC (12) Cl.** **15-99**
(52) **U.S. Cl.** **D15/199**
USPC **D15/199**
(58) **Field of Classification Search**
USPC D15/199; D21/369, 578-583, 621, 622; D24/188-190; D32/21
CPC . B25J 9/102; B25J 9/104; B25J 9/0006; B25J 17/0241; Y10T 74/20317; Y10T 74/20323
See application file for complete search history.

9,421,143 B2 * 8/2016 Caires A61H 3/00
9,687,409 B2 * 6/2017 Teng A61H 1/024
9,808,390 B2 * 11/2017 Caires A61H 3/00
D806,635 S * 1/2018 Zhou D12/326
10,098,804 B2 * 10/2018 Lee A61H 3/008
10,144,464 B1 * 12/2018 Buerger B62D 57/032
D838,759 S * 1/2019 Kowalski D15/199
D847,891 S * 5/2019 Kawaguchi D15/199
10,441,492 B2 * 10/2019 Choi F16H 7/02
2004/0050595 A1 * 3/2004 Saito B25J 19/005
180/8.1
2011/0214524 A1 * 9/2011 Jacobsen A61F 2/68
74/490.04
2012/0271207 A1 * 10/2012 Schoen A61F 5/0102
601/34
2013/0296746 A1 * 11/2013 Herr A61H 3/00
601/34
2015/0025423 A1 * 1/2015 Caires A61H 1/024
601/35
2016/0030272 A1 * 2/2016 Angold A61H 1/024
623/24
2016/0199978 A1 * 7/2016 Garrec B25J 9/0006
74/490.03

(Continued)

Primary Examiner — Patricia A Palasik
(74) *Attorney, Agent, or Firm* — Carl A. Ronald; Babst Calland

(57) **CLAIM**

The ornamental design for a bipedal robot, as shown and described.

(56) **References Cited**

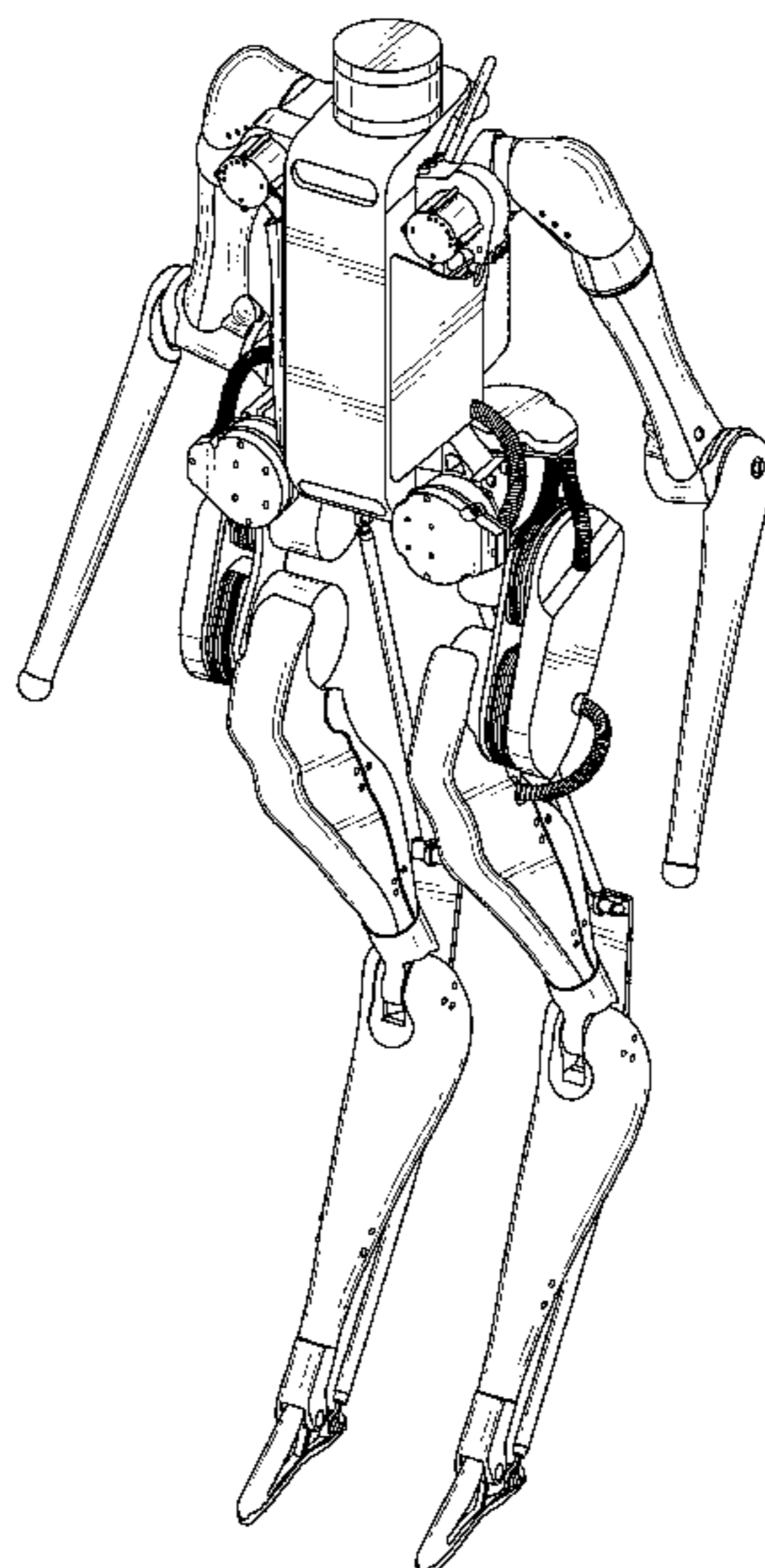
U.S. PATENT DOCUMENTS

D287,037 S * 12/1986 Matsushiro D21/582
D306,622 S * 3/1990 Doi D21/578
7,429,253 B2 * 9/2008 Shimada A61F 5/0102
602/16
D641,808 S * 7/2011 Matsuda D15/199
D687,908 S * 8/2013 Hoang D15/199
D688,378 S * 8/2013 Matsuda D24/190
8,516,918 B2 * 8/2013 Jacobsen A61F 2/68
74/490.01

DESCRIPTION

FIG. 1 is a perspective view of the bipedal robot.
FIG. 2 is a rear view of the robot.
FIG. 3 is a front view of the robot.
FIG. 4 is a top view of the robot.
FIG. 5 is a bottom view of the robot; and,
FIG. 6 is a left side view of the robot.

1 Claim, 6 Drawing Sheets



(56)

References Cited

U.S. PATENT DOCUMENTS

2018/0079084 A1* 3/2018 Woo B25J 9/08
2019/0240832 A1* 8/2019 Kawaguchi B62D 57/032
2019/0321739 A1* 10/2019 Kasuga A63H 29/22

* cited by examiner

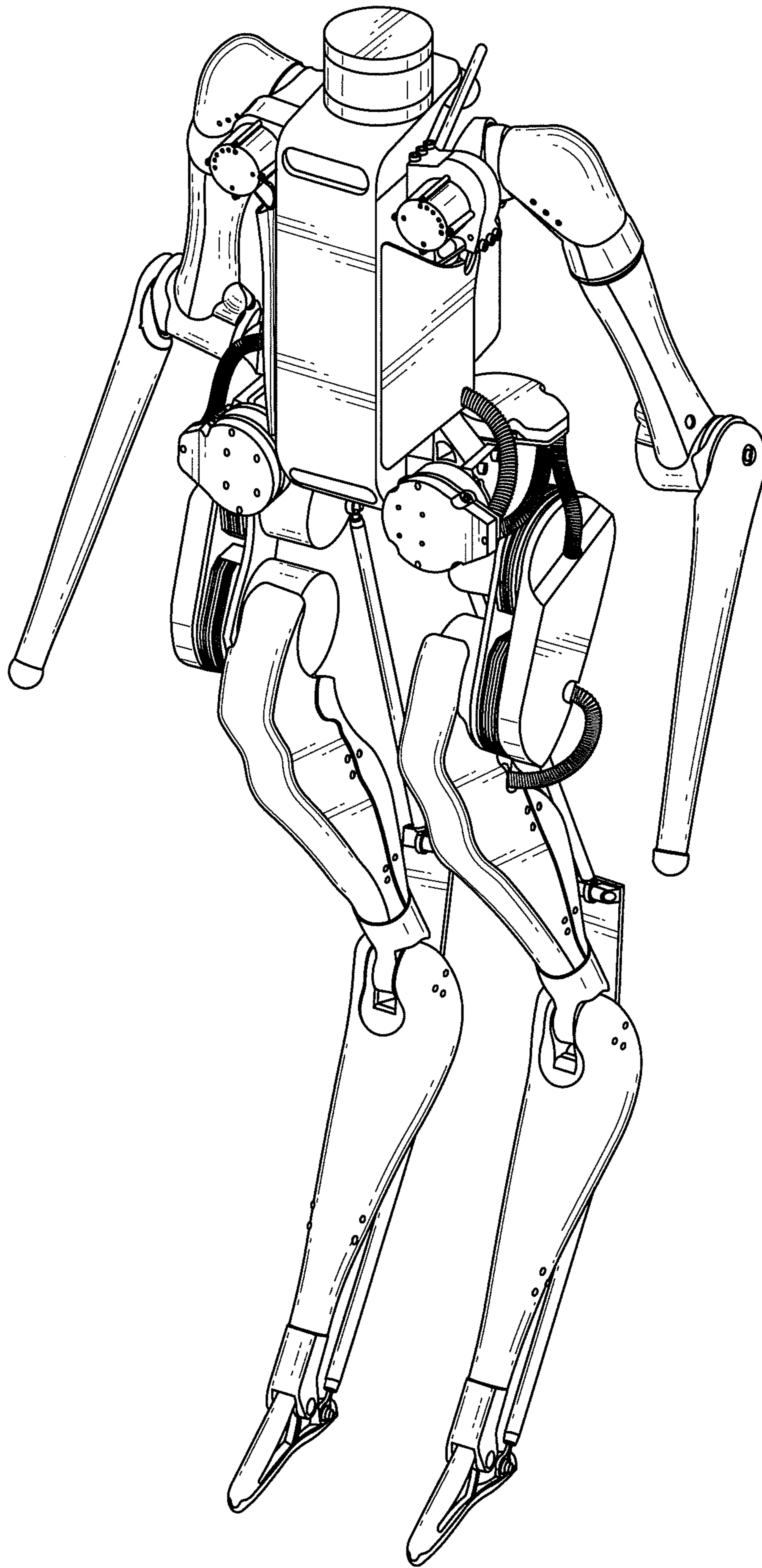


FIG. 1

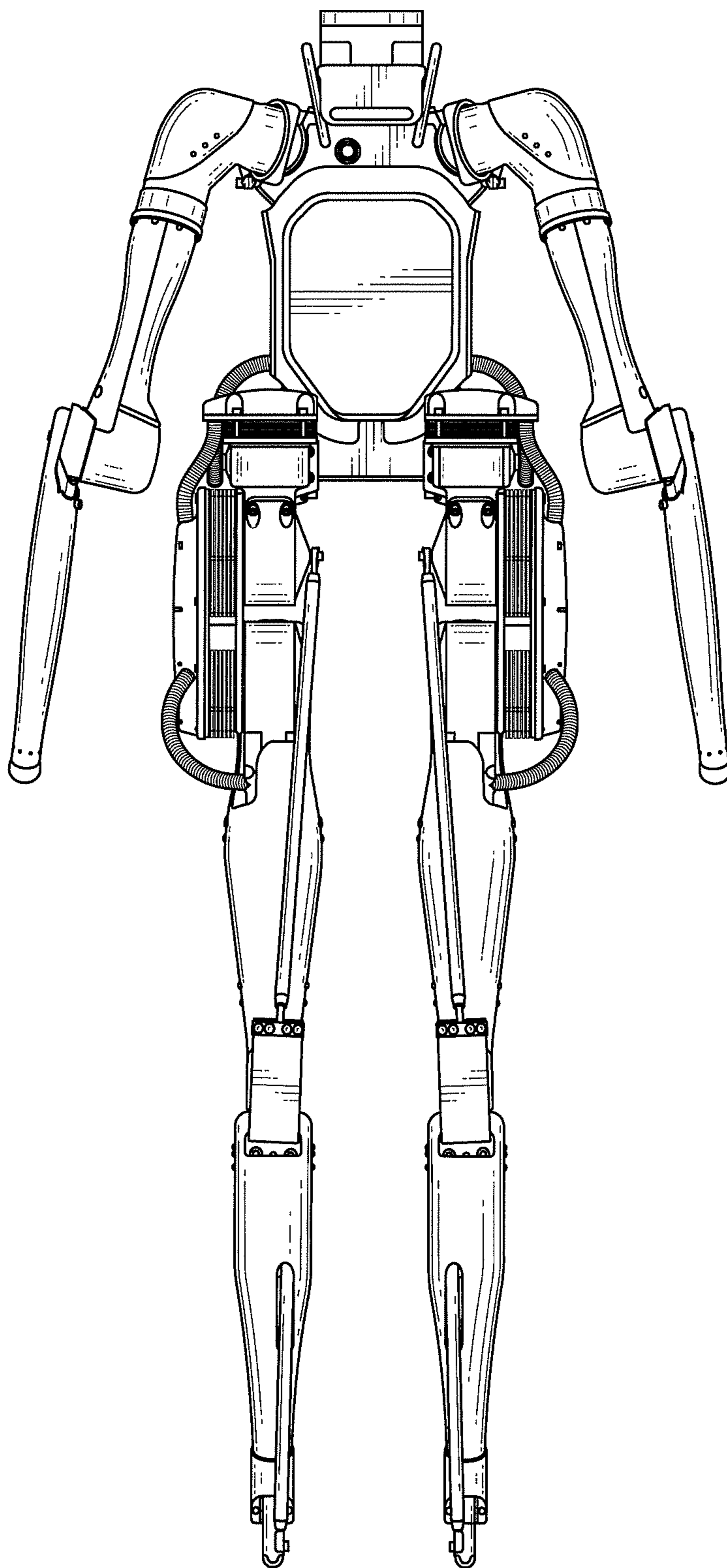


FIG. 2

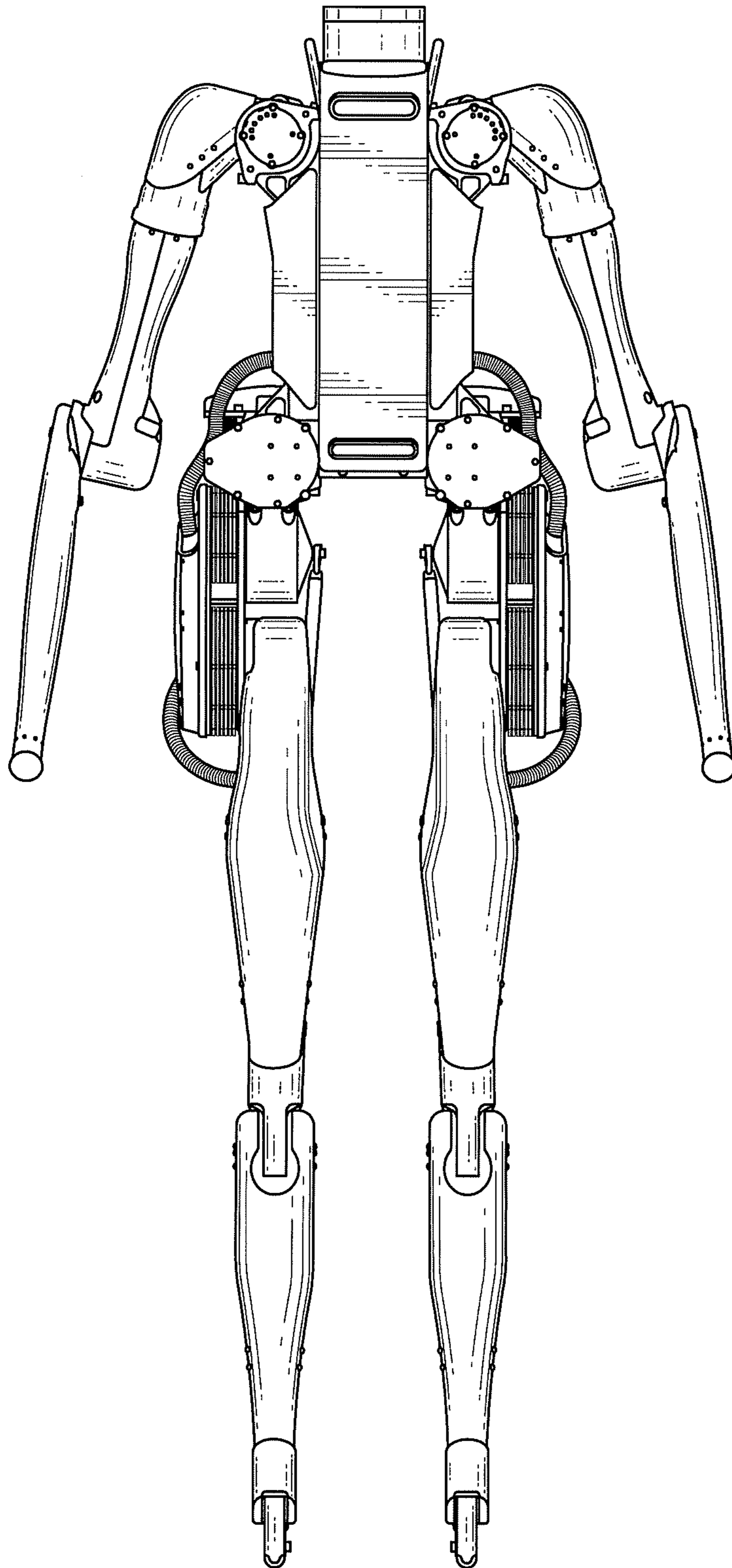


FIG. 3

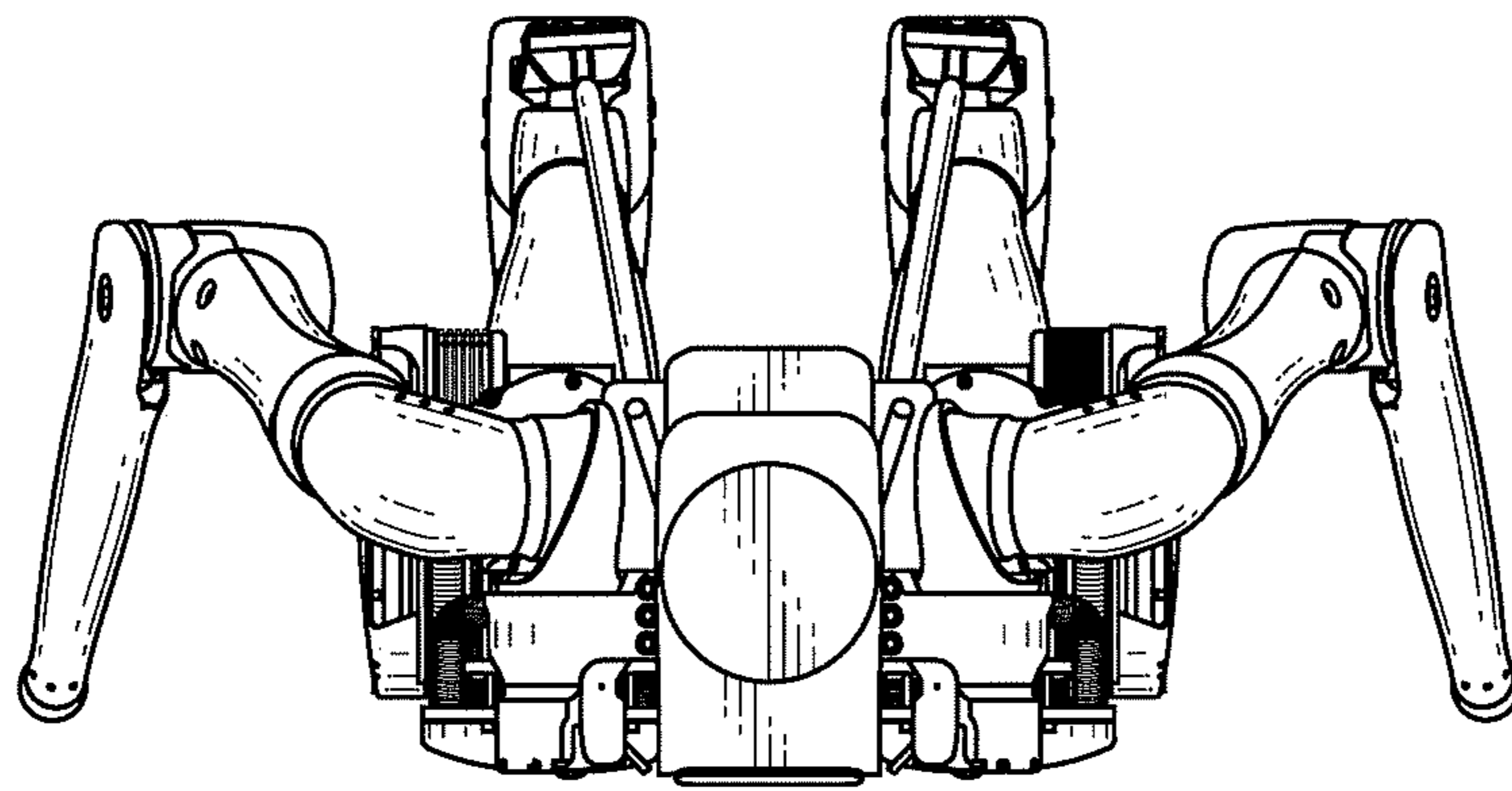


FIG. 4

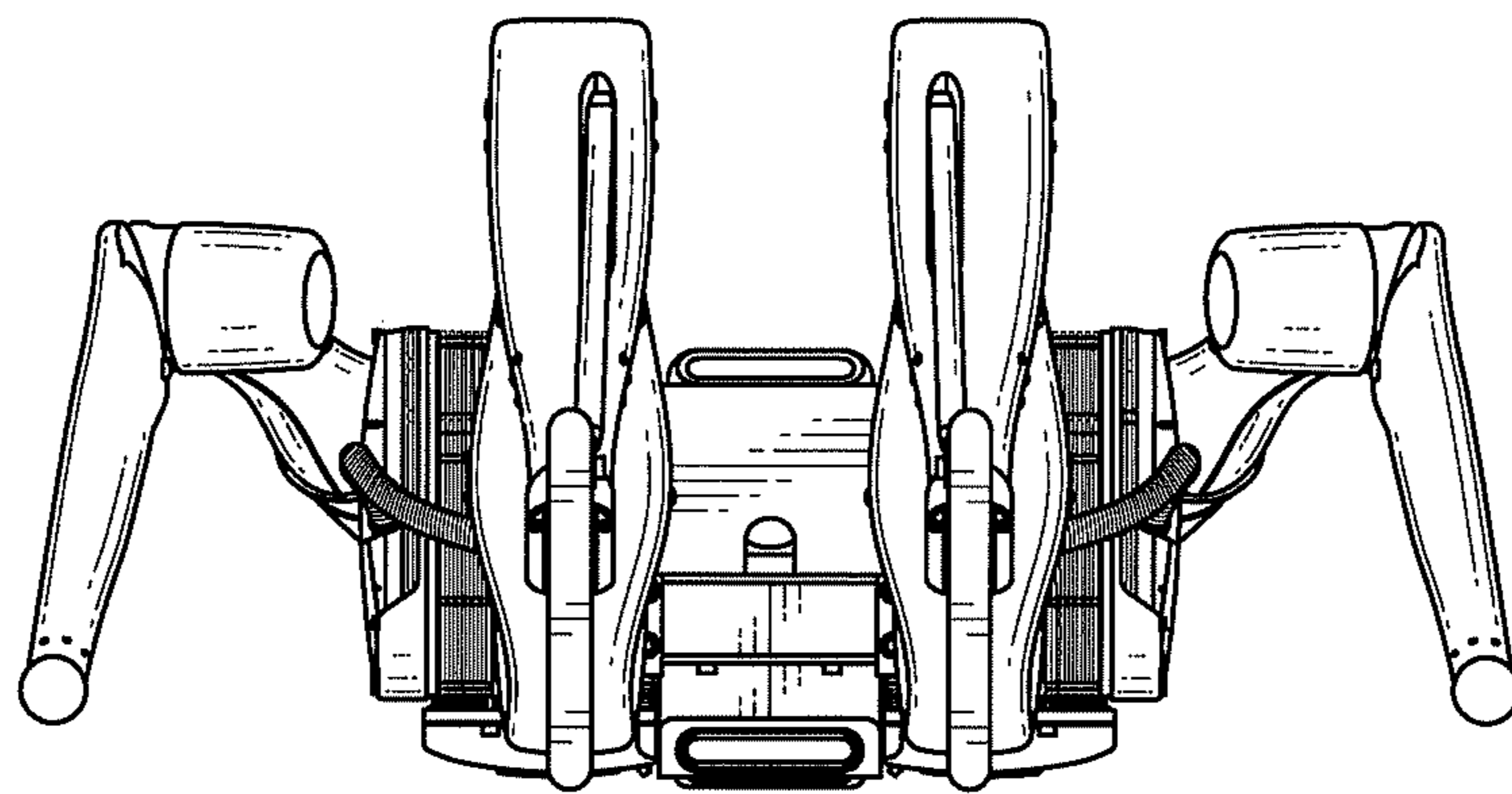


FIG. 5

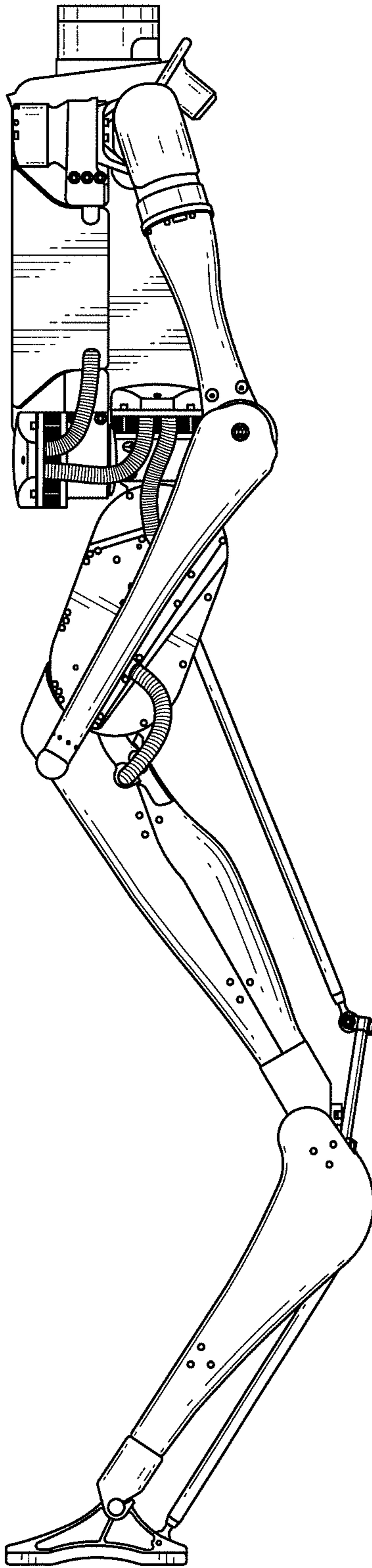


FIG. 6