



US00D888119S

(12) **United States Design Patent**
Corbin, III et al.

(10) **Patent No.:** **US D888,119 S**
(45) **Date of Patent:** **** Jun. 23, 2020**

- (54) **MAGNETIC DRIVE**
- (71) Applicant: **Flux Drive LLC**, Wilmington, DE (US)
- (72) Inventors: **Philip Corbin, III**, Renton, WA (US);
Richard Braun, Port Angeles, WA (US); **Michael Troy Sparks**, Bothell, WA (US)
- (73) Assignee: **Flux Drive LLC**, Wilmington, DE (US)
- (**) Term: **15 Years**
- (21) Appl. No.: **29/673,720**
- (22) Filed: **Dec. 17, 2018**
- (51) **LOC (12) Cl.** **15-03**
- (52) **U.S. Cl.**
USPC **D15/148**
- (58) **Field of Classification Search**
USPC D15/143, 148, 199; D13/148, 158
CPC F15B 11/076; F15B 11/0413; F15B 15/24;
F15B 11/065; F15B 15/149; F15B 15/1433
See application file for complete search history.

| | | | | |
|--------------|---------|-------------|-------|---------|
| D667,372 S * | 9/2012 | Lannoch | | D13/112 |
| D678,194 S * | 3/2013 | Lannoch | | D13/112 |
| D682,784 S * | 5/2013 | Tomczak | | D13/114 |
| D703,714 S * | 4/2014 | Kim | | D15/143 |
| D758,310 S * | 6/2016 | Veeh | | D13/112 |
| D775,252 S * | 12/2016 | Shentu | | D15/149 |
| D792,916 S * | 7/2017 | Kobayashi | | D15/148 |
| D844,038 S * | 3/2019 | Alfano | | D15/148 |
| D857,628 S * | 8/2019 | Chen | | D13/112 |
| D871,471 S * | 12/2019 | Kiefel | | D15/148 |
| D872,149 S * | 1/2020 | Hirabayashi | | D15/148 |

* cited by examiner

Primary Examiner — Khawaja Anwar
(74) *Attorney, Agent, or Firm* — The Miller Law Offices PLC; Steven J. Miller, Esq.

(57) **CLAIM**

The ornamental design for a magnetic drive, as shown and described.

DESCRIPTION

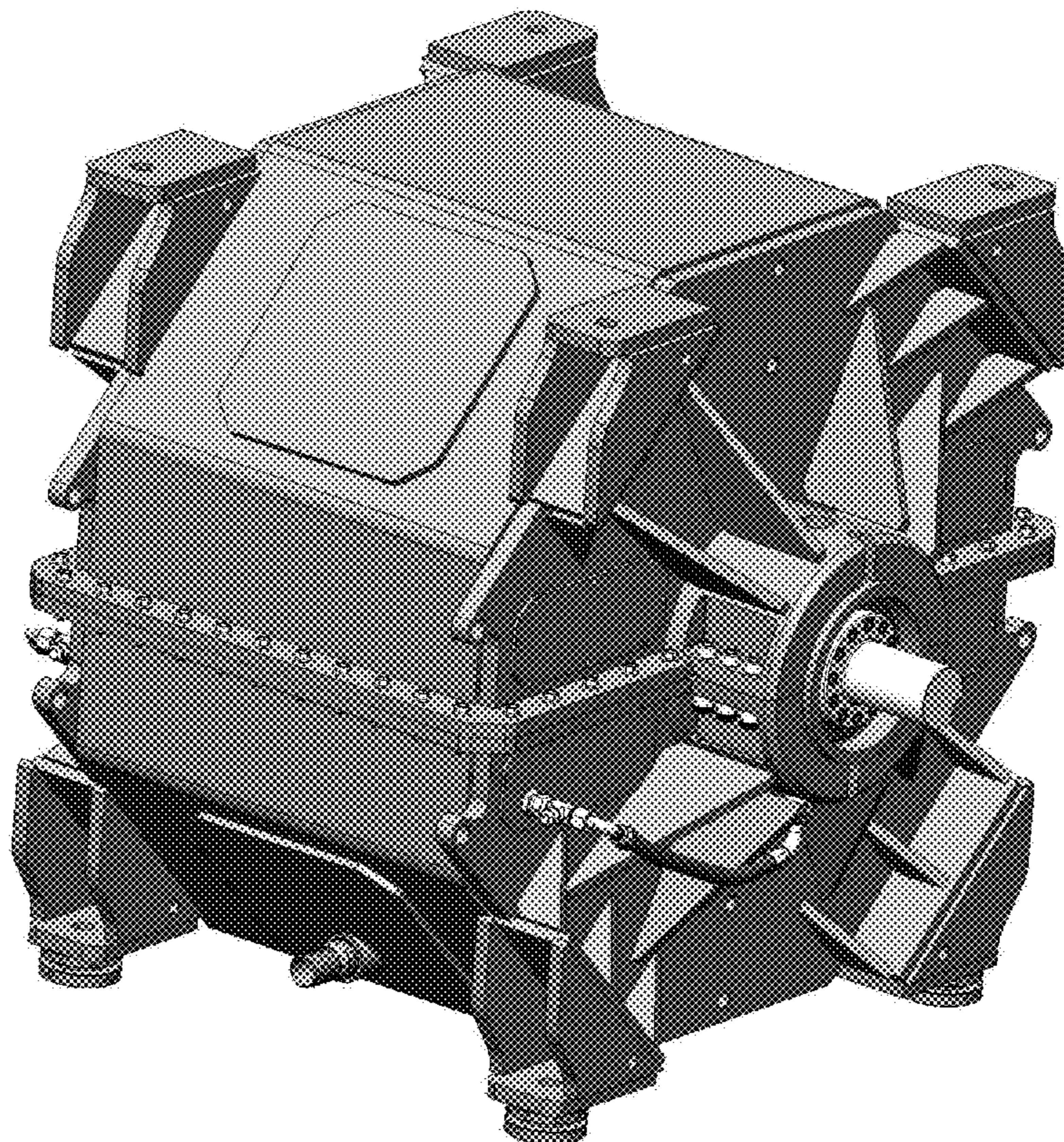
FIG. 1 is a perspective view of a magnetic drive showing our new design;
FIG. 2 is the rear elevation view thereof;
FIG. 3 is the front elevation view thereof;
FIG. 4 is a the right side elevation view thereof;
FIG. 5 is a the left side elevation view thereof;
FIG. 6 is a top plan view thereof; and,
FIG. 7 is a bottom plan view thereof.

1 Claim, 7 Drawing Sheets

(56) **References Cited**

U.S. PATENT DOCUMENTS

| | | | | |
|--------------|---------|---------|-------|---------|
| D573,091 S * | 7/2008 | Shih | | D13/112 |
| D578,063 S * | 10/2008 | Lannoch | | D13/112 |
| D593,943 S * | 6/2009 | Lannoch | | D13/112 |



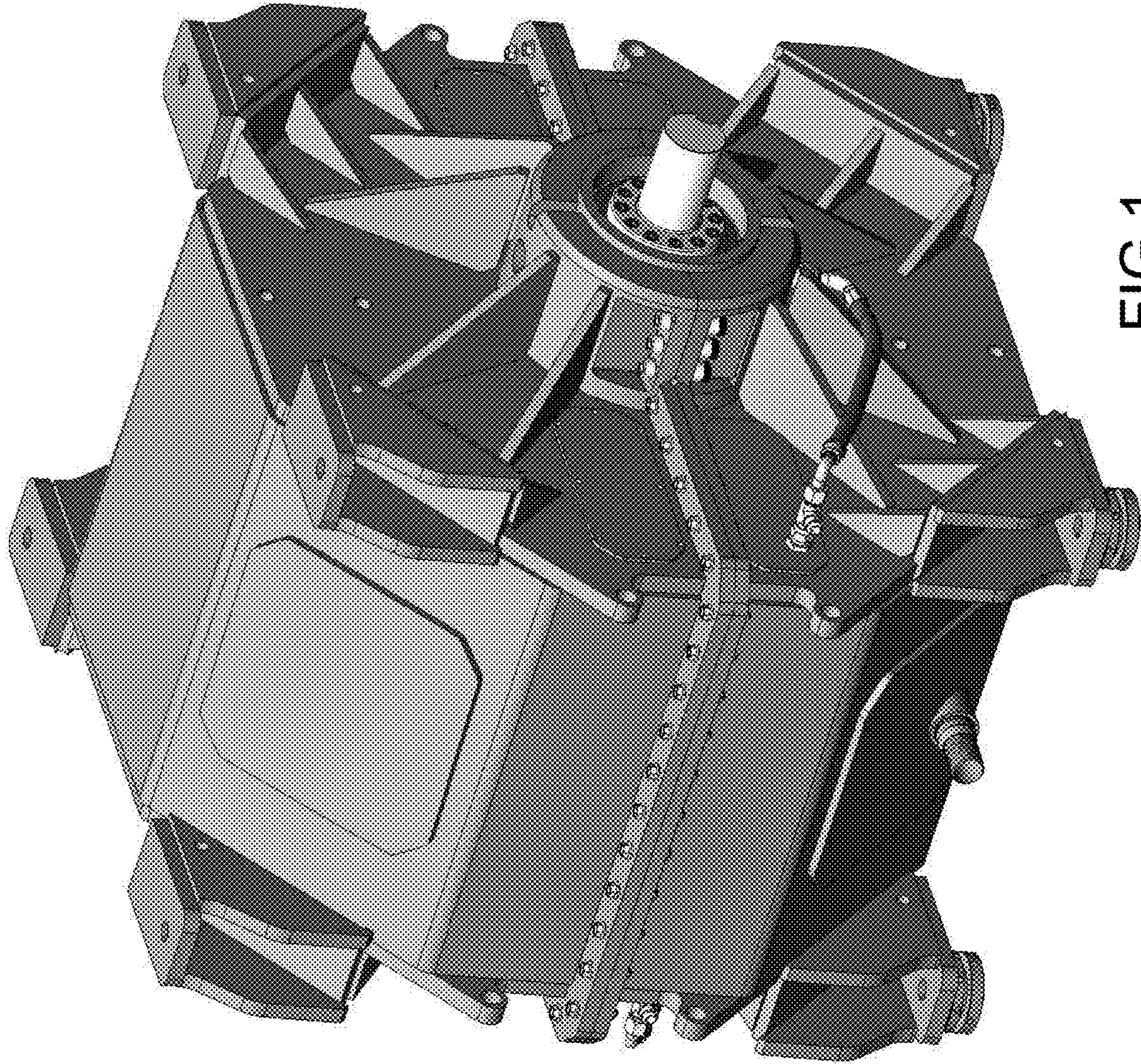


FIG.1

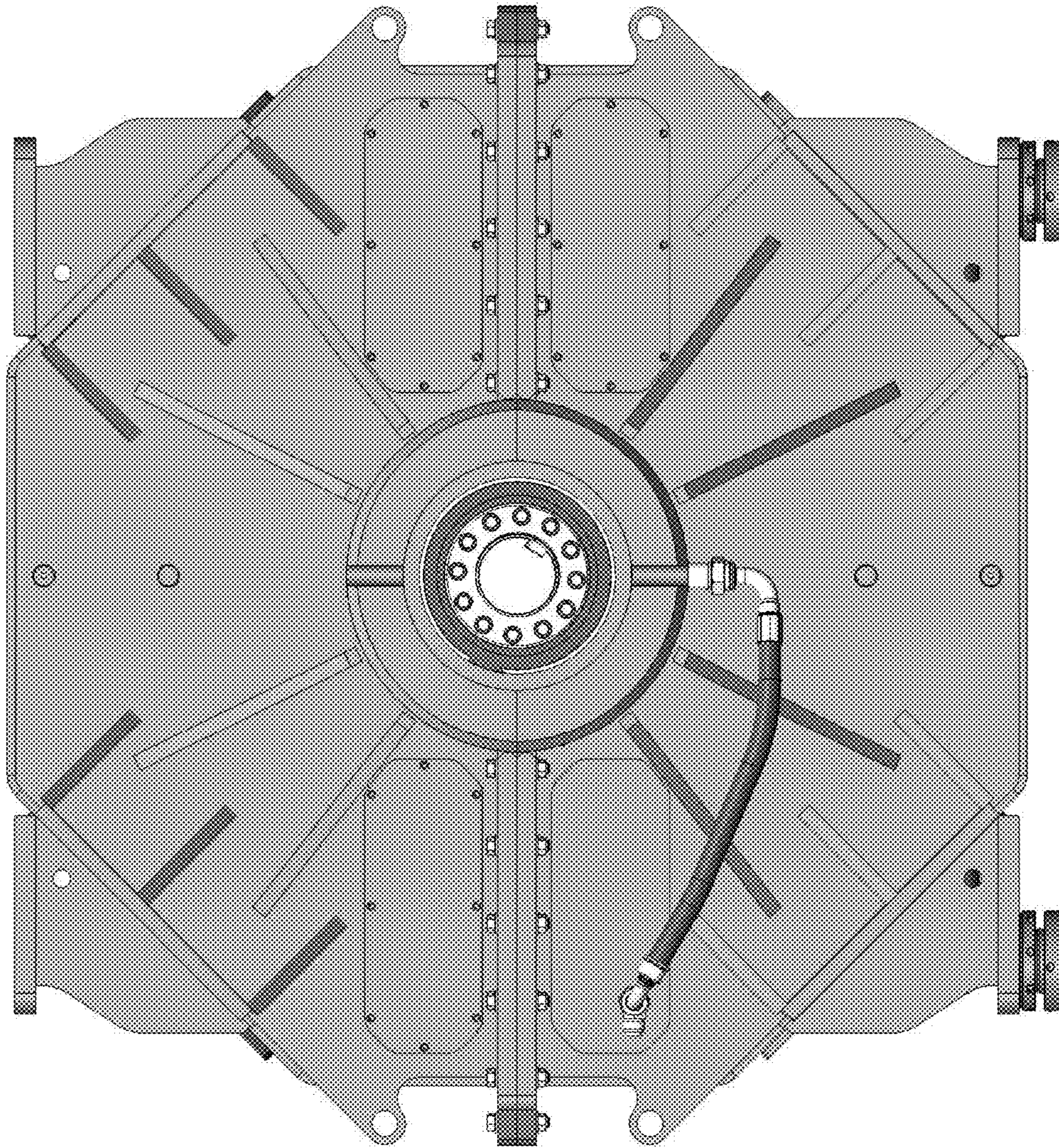


FIG.2

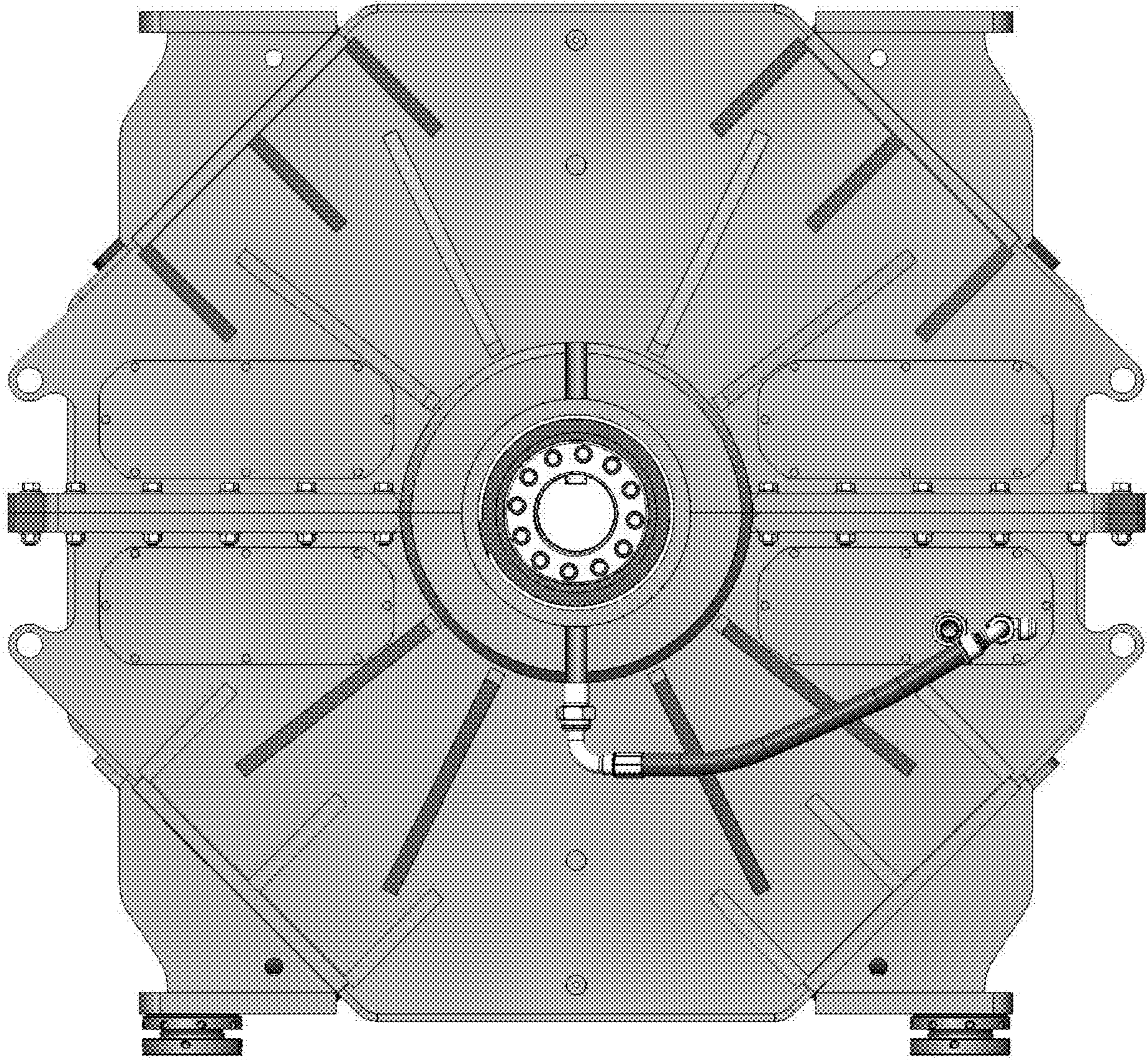


FIG.3

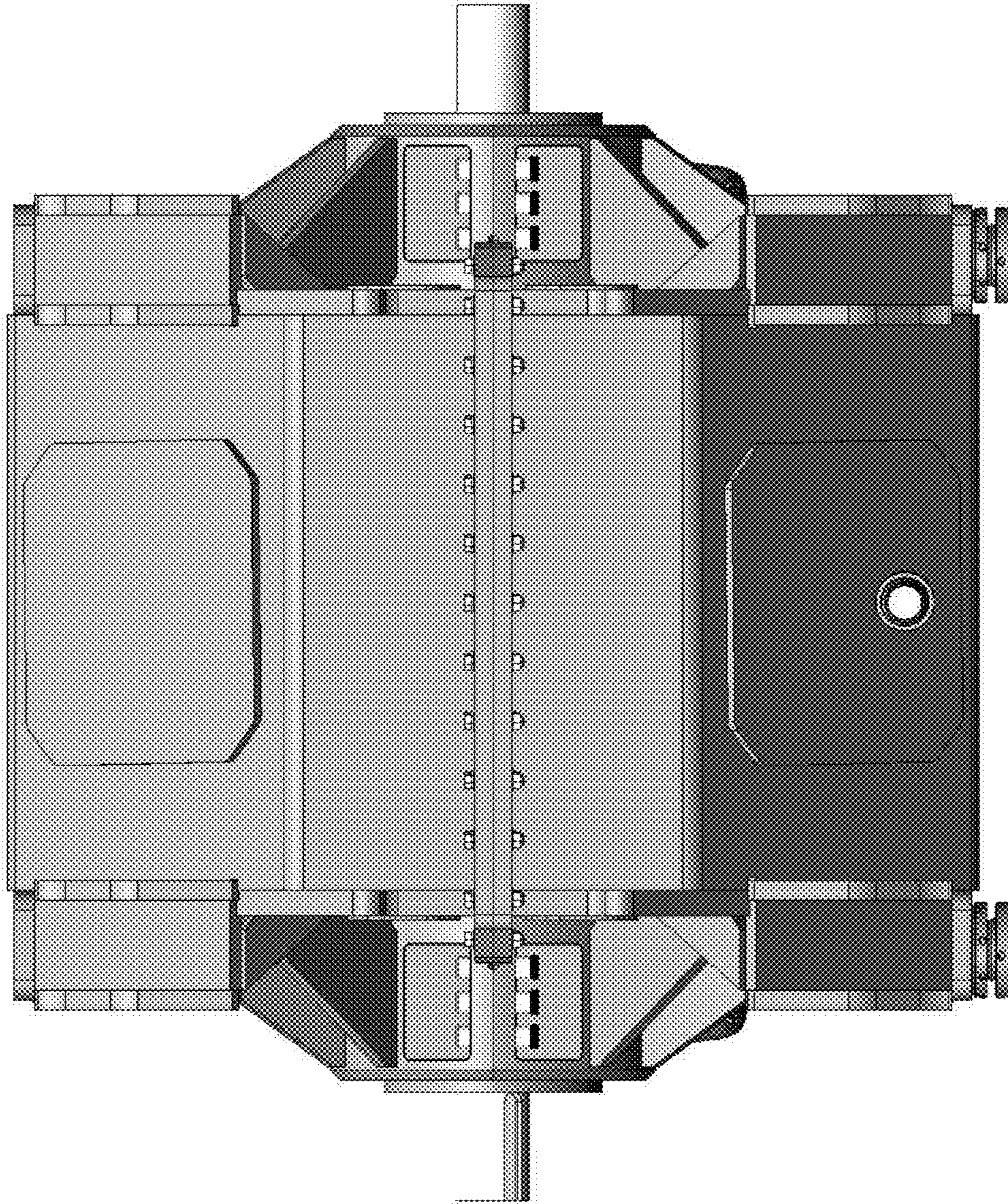


FIG.4

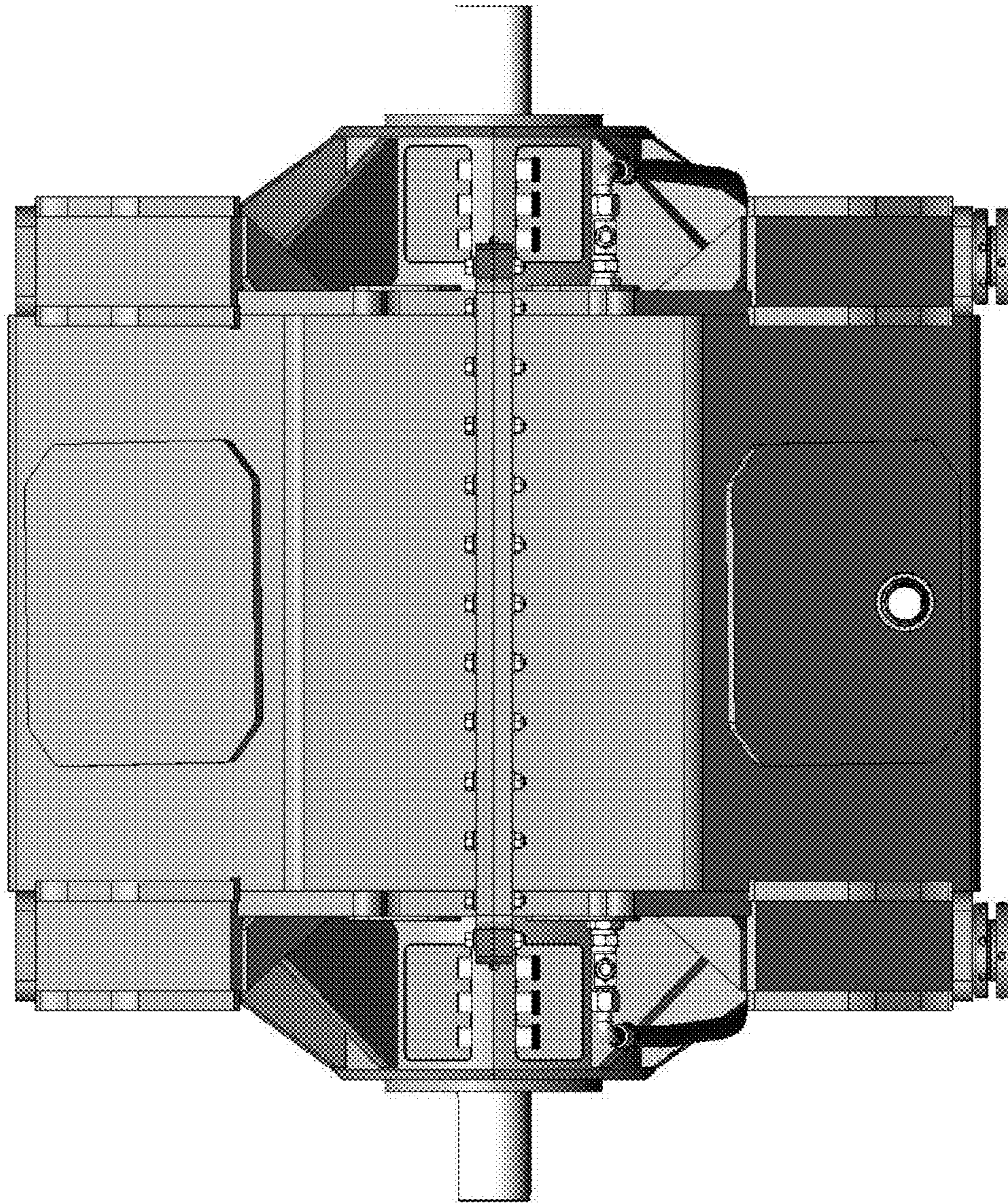


FIG.5

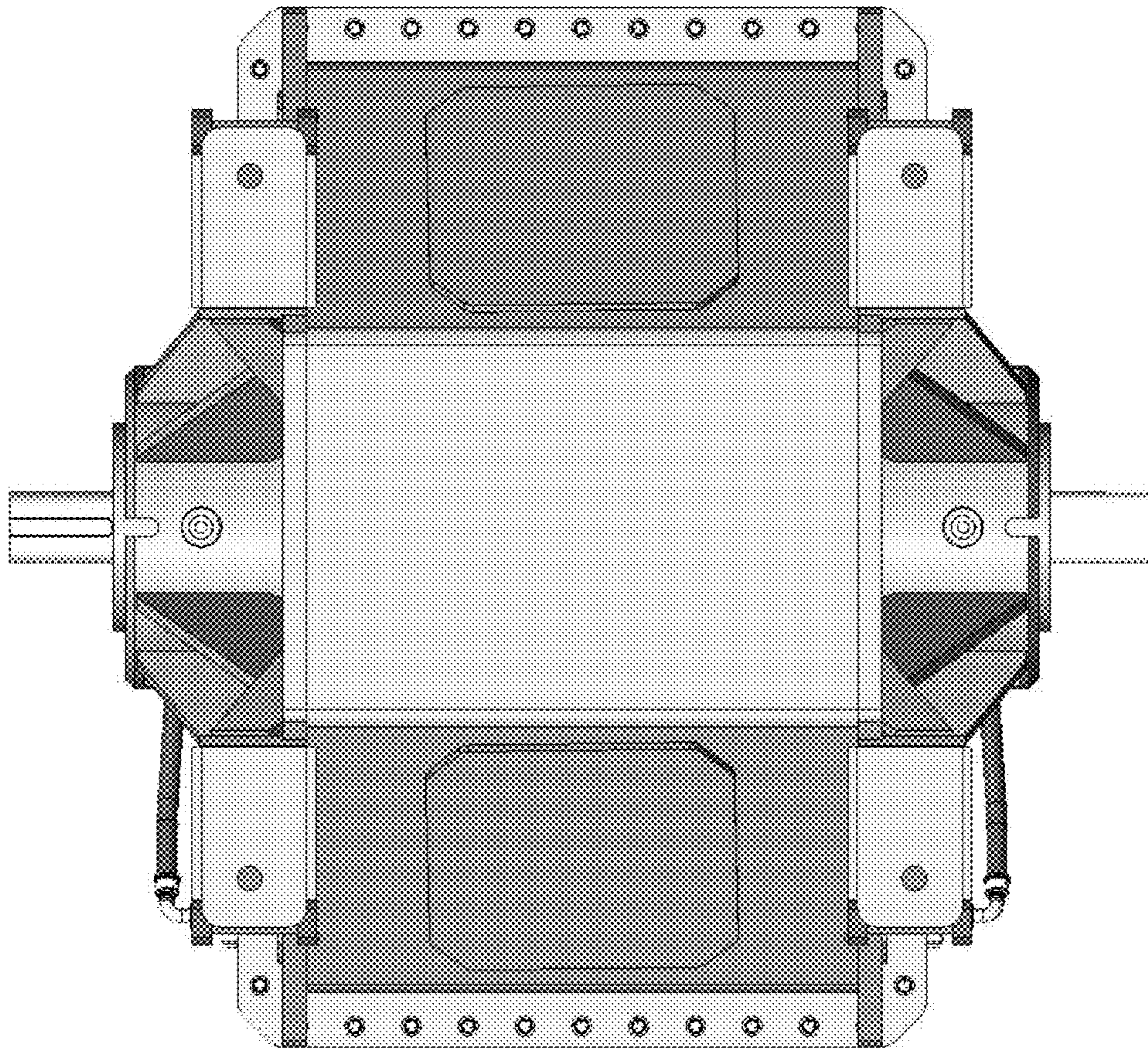


FIG. 6

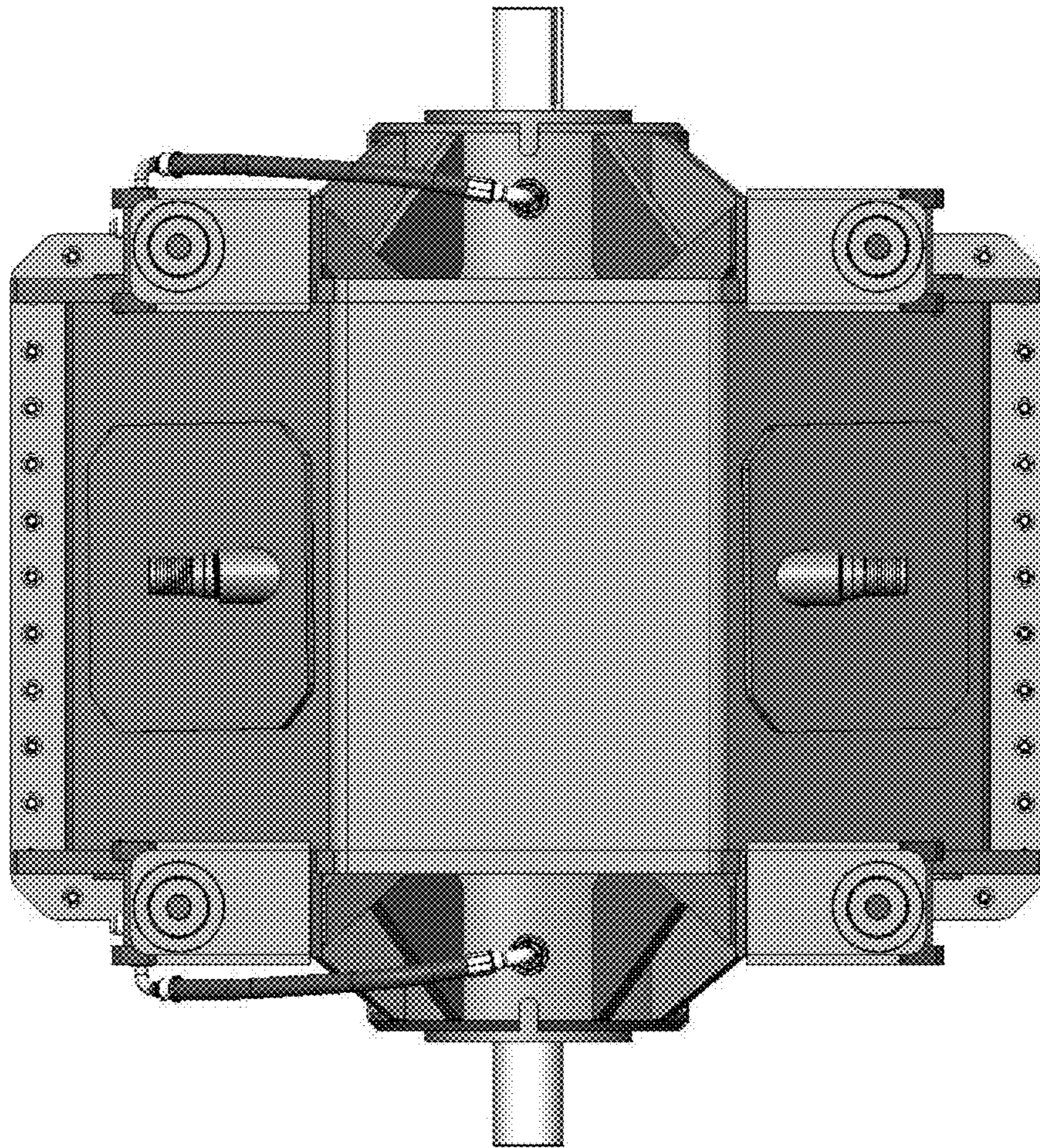


FIG.7