



US00D888118S

(12) **United States Design Patent** (10) **Patent No.:** **US D888,118 S**
Kiefel (45) **Date of Patent:** **** Jun. 23, 2020**

(54) **ACTUATOR**
(71) Applicant: **EMG Automation GmbH**, Wenden (DE)
(72) Inventor: **Achim Kiefel**, Derschen (DE)
(73) Assignee: **EMG AUTOMATION GMBH**, Wenden (DE)

D695,799 S * 12/2013 Landerholm D15/143
D704,238 S * 5/2014 Fukano D15/143
D719,595 S * 12/2014 Landerholm D15/143
D744,559 S * 12/2015 Nakayama D15/143
D767,656 S * 9/2016 Wu D15/143
D809,038 S * 1/2018 Zhuang D15/148
D810,164 S * 2/2018 Lin D15/148
D819,101 S * 5/2018 Ishikawa D15/148
D821,472 S * 6/2018 Ishikawa D15/149
D839,937 S * 2/2019 Zhuang D15/143

* cited by examiner

(**) Term: **15 Years**
(21) Appl. No.: **29/658,232**

Primary Examiner — Patricia A Palasik
(74) *Attorney, Agent, or Firm* — Horst M. Kasper, Esq

(22) Filed: **Jul. 30, 2018**

(57) **CLAIM**

(30) **Foreign Application Priority Data**

The ornamental design for an actuator, as shown and described.

Jan. 31, 2018 (EM) 004687481-0002

DESCRIPTION

(51) **LOC (12) Cl.** **15-09**

The patent or application file contains at least one drawing executed in color. Copies of this patent or patent application publication with color drawings will be provided by the Office upon request and payment of the necessary fee. The use of color is claimed in the present design patent application.

(52) **U.S. Cl.**
USPC **D15/148**

(58) **Field of Classification Search**
USPC D13/158, 160; D15/143, 148, 199
CPC F15B 15/00; F15B 15/12; F15B 15/065;
H02K 5/24; H02K 7/00; H02K 19/06;
H02K 26/00; H02K 33/00; H02K 33/16;
H02K 37/00

See application file for complete search history.

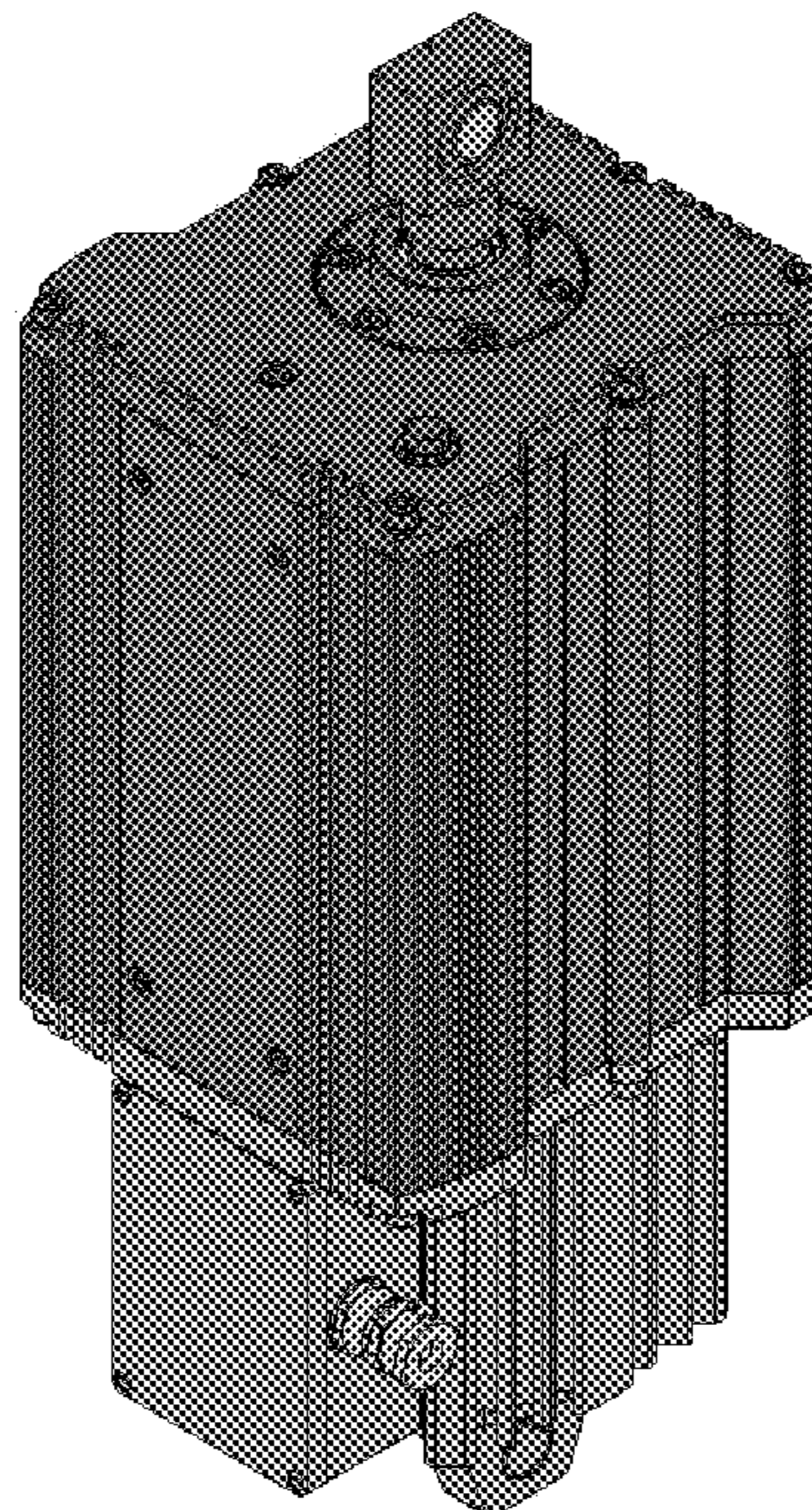
FIG. 1. is a right side elevational view of the actuator showing my new design;
FIG. 2. is a front elevational view thereof;
FIG. 3 is a rear elevational view thereof;
FIG. 4 is a left side elevational view thereof;
FIG. 5 is a bottom plan view thereof;
FIG. 6 is a top plan view thereof;
FIG. 7 is a front perspective view thereof; and,
FIG. 8 is a front bottom perspective view thereof.

(56) **References Cited**

U.S. PATENT DOCUMENTS

D620,961 S * 8/2010 Iversen D15/143
D624,100 S * 9/2010 Fukano D13/158
D685,403 S * 7/2013 Mangold D15/143
D686,257 S * 7/2013 Wu D15/143
D695,798 S * 12/2013 Wu D15/143

1 Claim, 8 Drawing Sheets
(7 of 8 Drawing Sheet(s) Filed in Color)



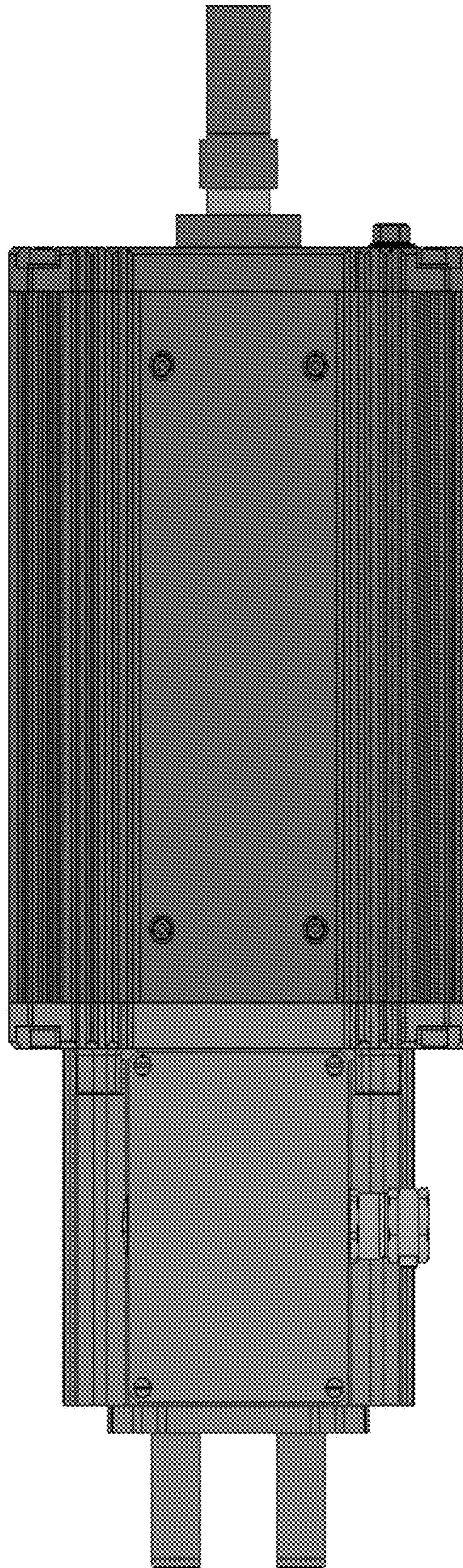


FIG. 1

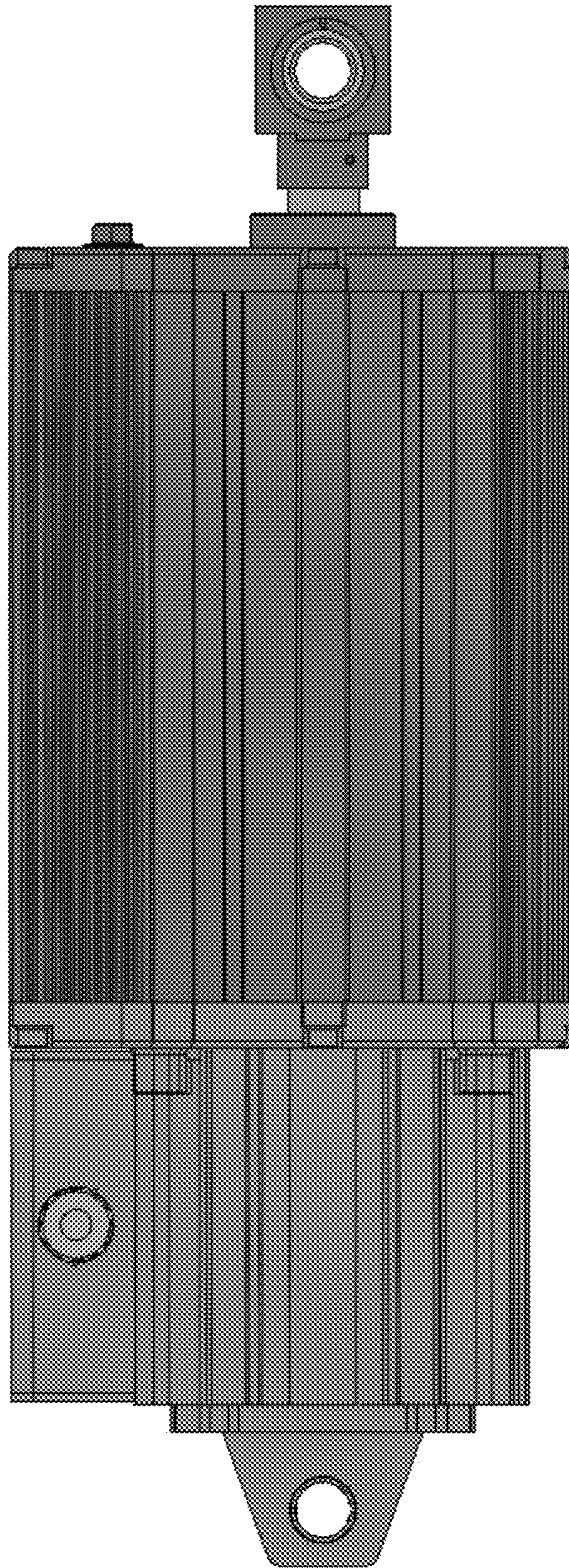


FIG. 2

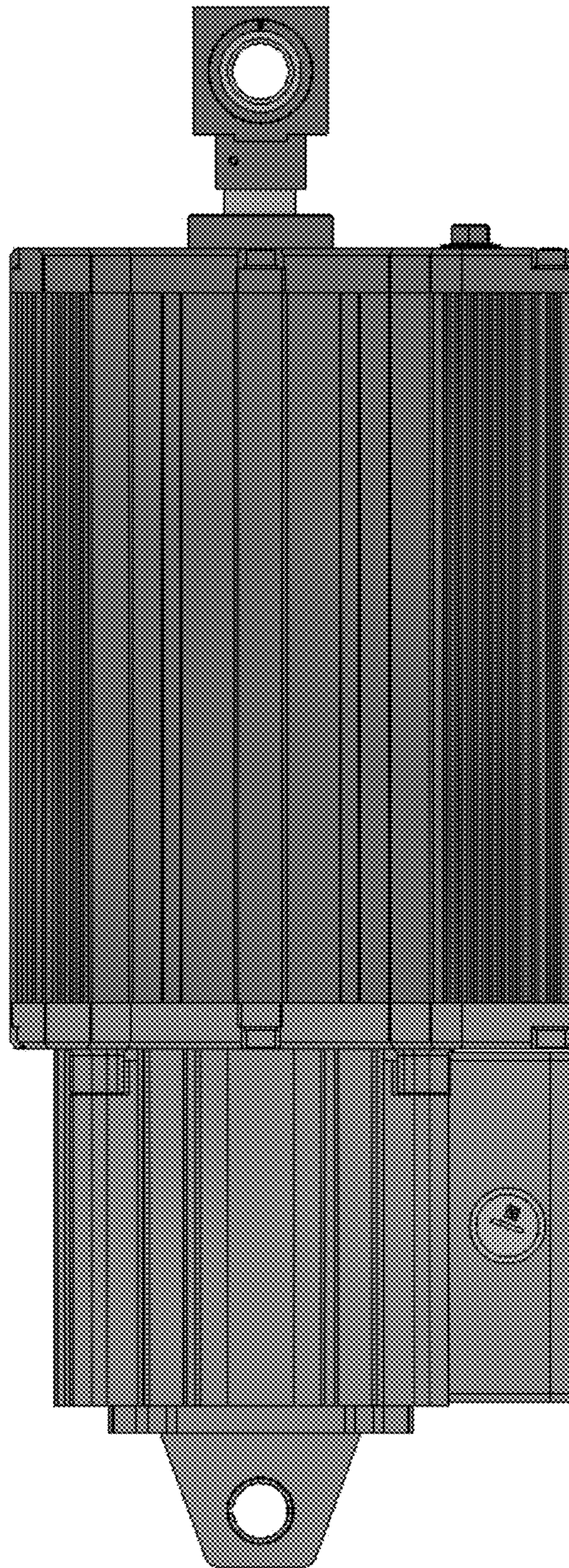


FIG. 3

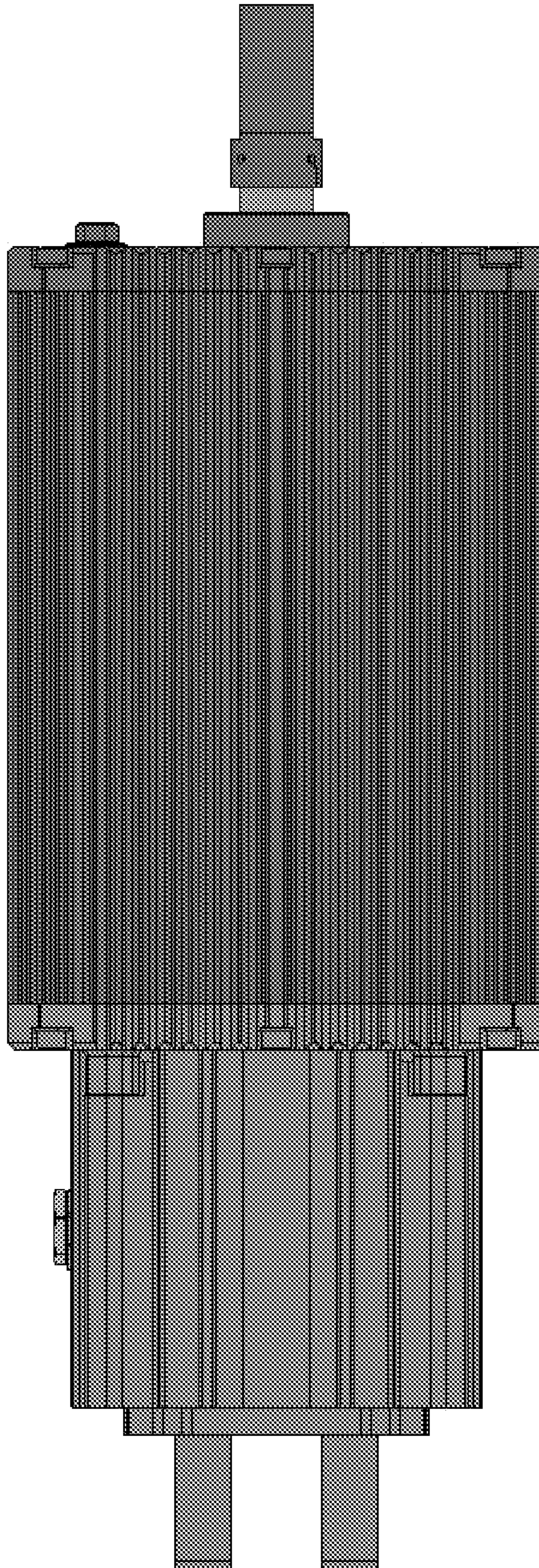


FIG. 4

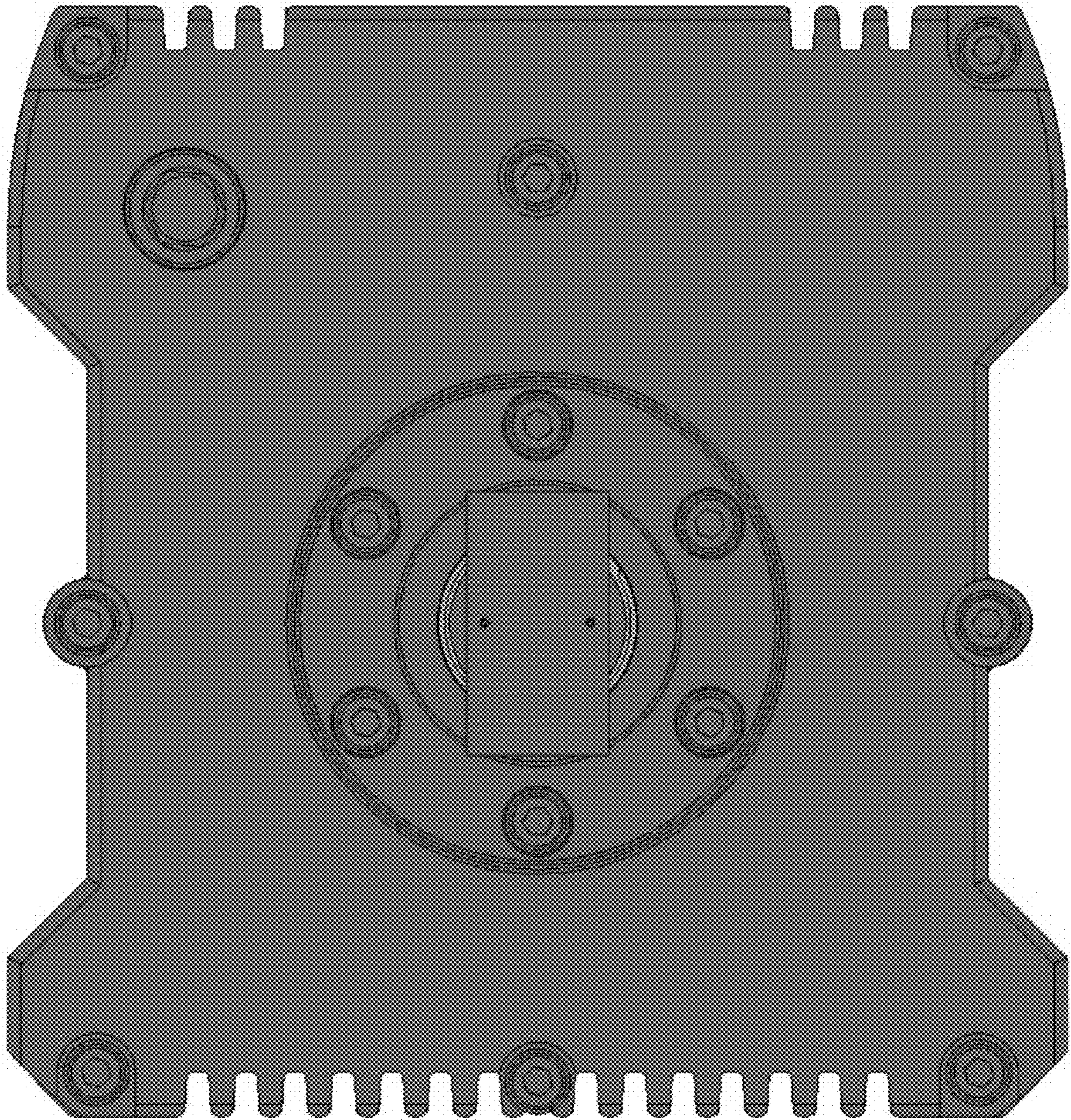


FIG. 5

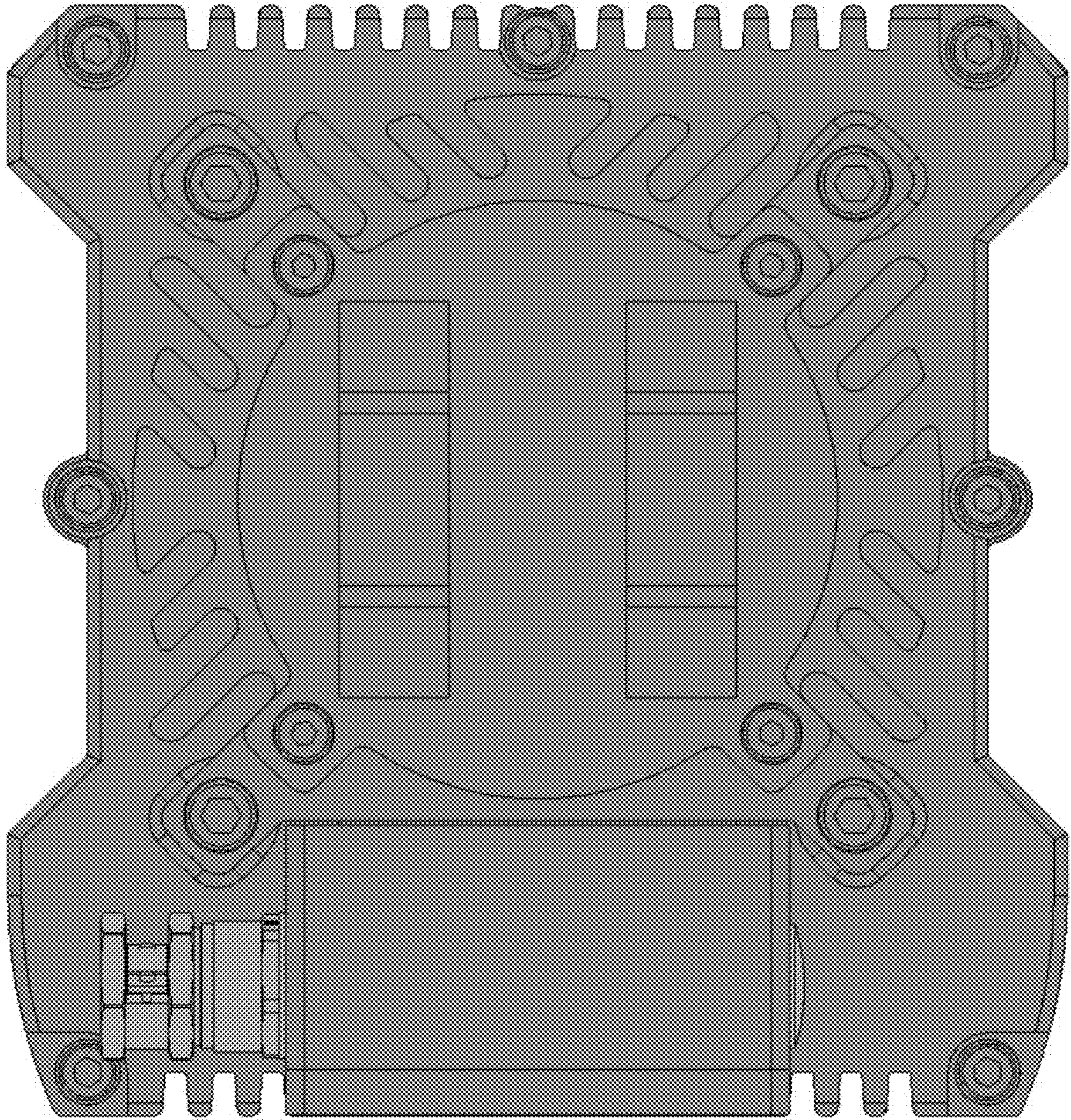


FIG.6

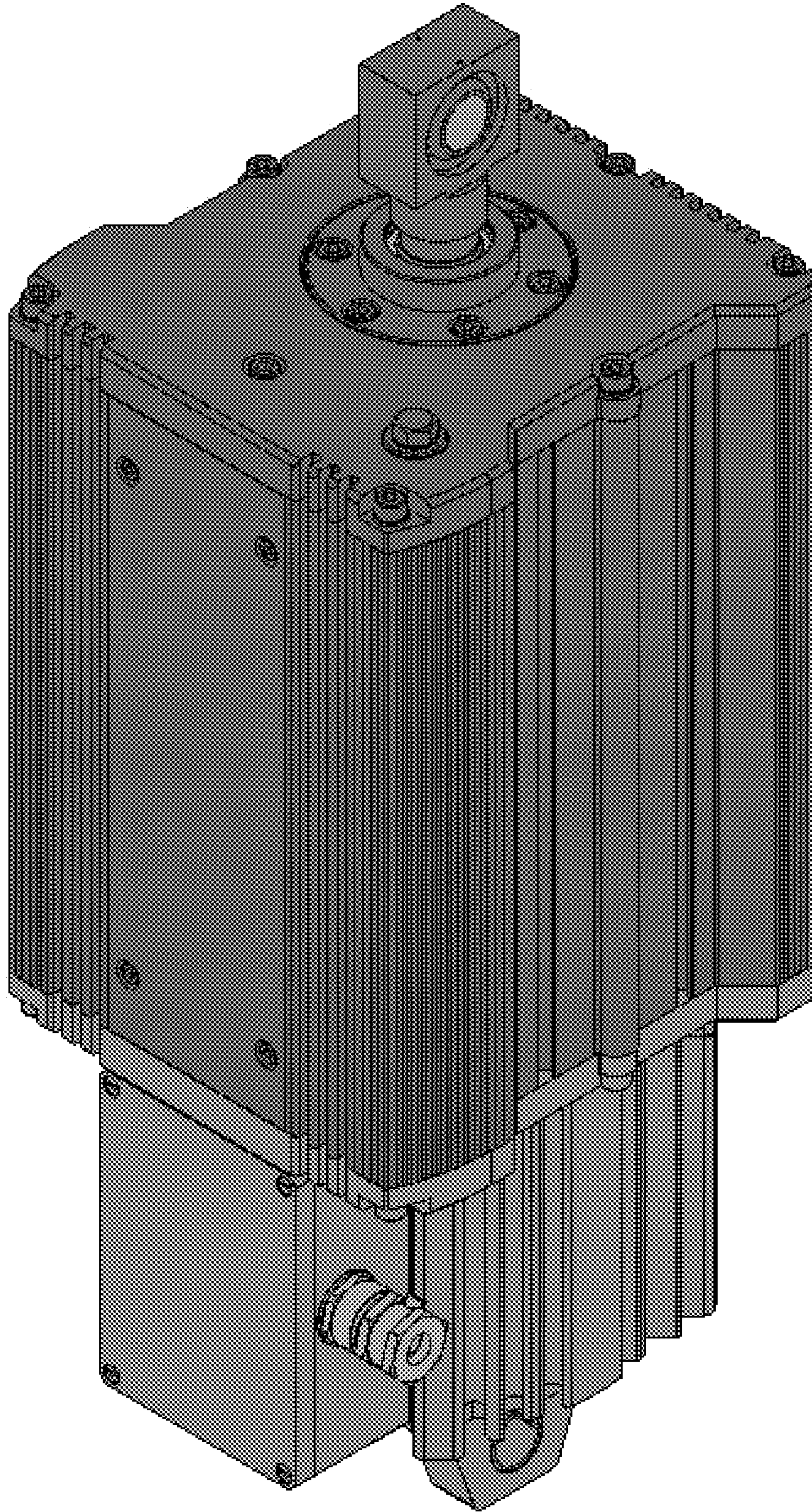


FIG. 7

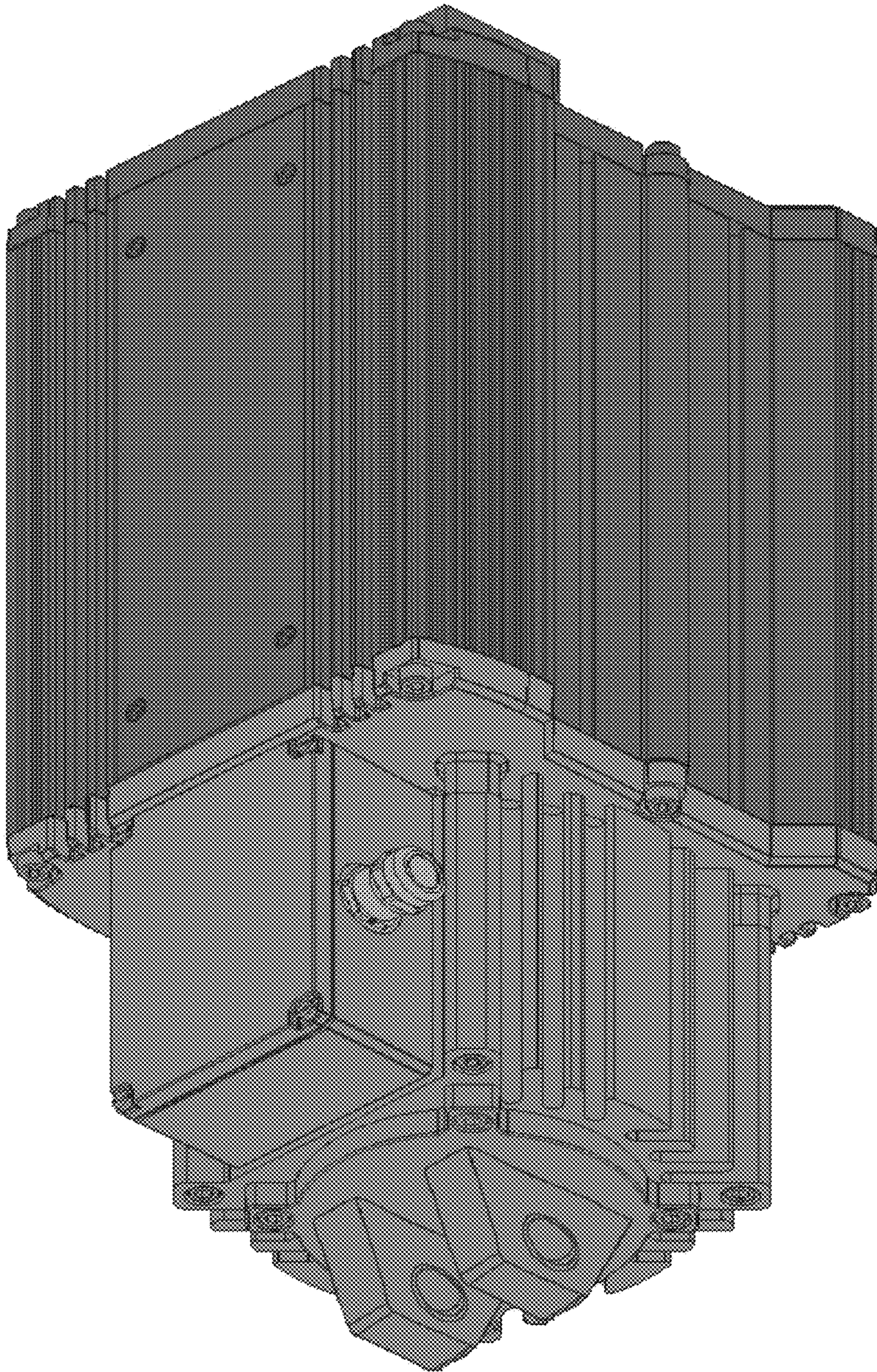


FIG. 8