



US00D888116S

(12) **United States Design Patent**
Karol et al.

(10) **Patent No.:** **US D888,116 S**
(45) **Date of Patent:** **** Jun. 23, 2020**

- (54) **GEAR** 2,859,634 A * 11/1958 Gautave B63H 23/00
440/75
- (71) Applicant: **DEKA Products Limited Partnership,** 3,176,597 A * 4/1965 Seaman E01C 19/282
Manchester, NH (US) 404/117
- (72) Inventors: **Daniel S. Karol,** Southborough, MA 3,490,360 A * 1/1970 Reynolds B65B 13/18
(US); **William D. Hunt,** Gilmanton, 100/31
NH (US); **Jason M. Overson,**
Manchester, NH (US) D253,641 S 12/1979 Tritchka
4,545,230 A * 10/1985 Jungesjo B21H 5/02
72/108
- (73) Assignee: **DEKA Products Limited Partnership,** 4,630,498 A 12/1986 Santi
Manchester, NH (US) 5,137,500 A 8/1992 Lhotak
(Continued)

FOREIGN PATENT DOCUMENTS

- (**) Term: **15 Years**
- (21) Appl. No.: **29/657,798**
- (22) Filed: **Jul. 25, 2018**
- EP 1669254 A1 6/2006
- JP 2002021981 A 1/2002
- (Continued)

OTHER PUBLICATIONS

- Related U.S. Application Data**
- (62) Division of application No. 29/572,419, filed on Jul. 27, 2016, now Pat. No. Des. 824,971.
- (51) **LOC (12) Cl.** **15-99**
- (52) **U.S. Cl.**
- USPC **D15/148**
- (58) **Field of Classification Search**
- USPC D12/123, 124, 126, 501, 507; D15/122,
D15/138, 143, 148, 149
- CPC ... F16H 7/06; F16H 7/12; F16H 55/08; F16H
55/30; E02F 5/06; E02F 5/14
- See application file for complete search history.
- US D847,887 S, 05/2019, Karol (withdrawn)
(Continued)

Primary Examiner — Michael C Stout
Assistant Examiner — Fritzgerald L Butac
(74) *Attorney, Agent, or Firm* — Kathleen Chapman

(57) **CLAIM**

The ornamental design for a gear, as shown and described.

DESCRIPTION

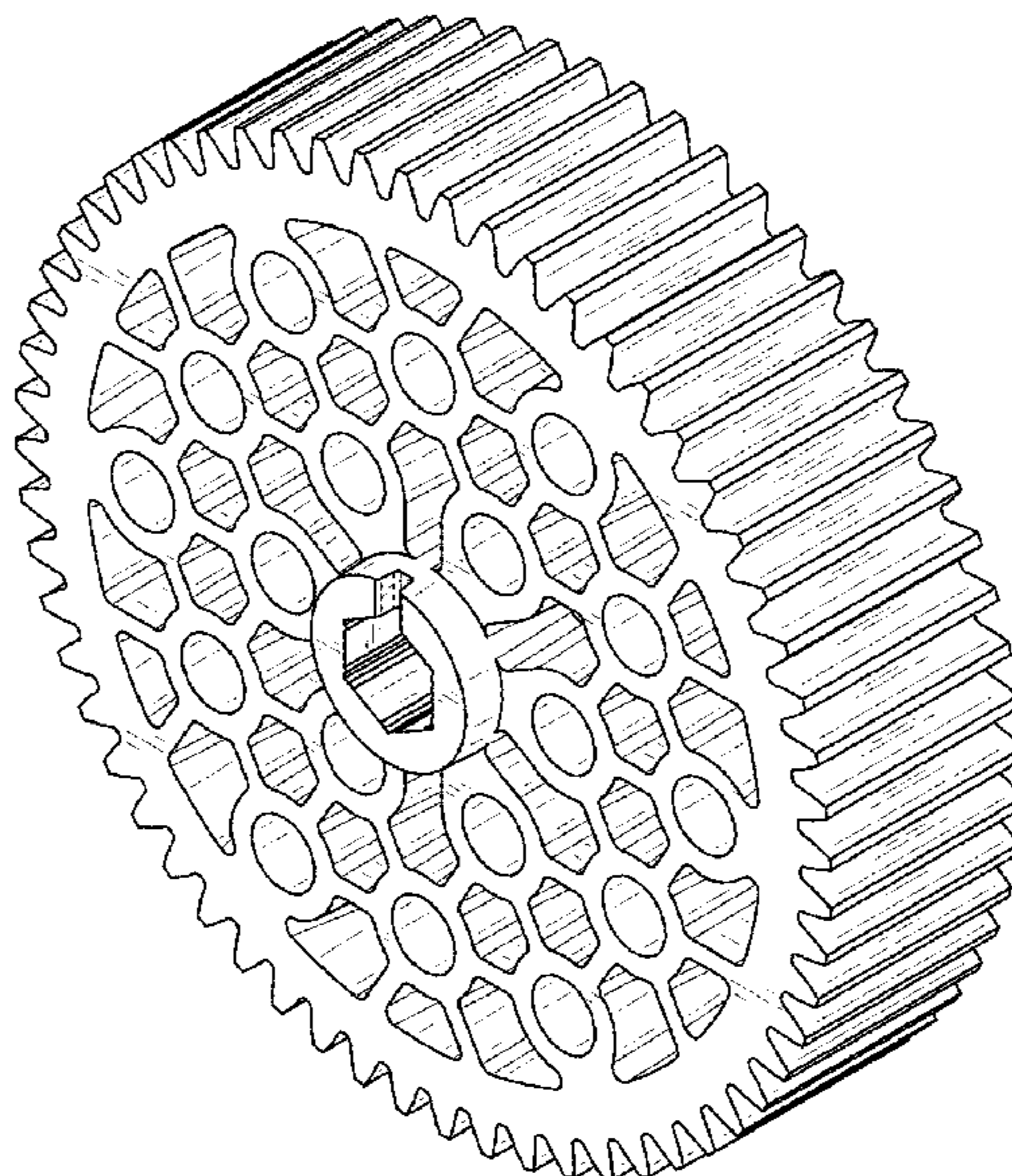
FIG. 1 is a front, top, right side perspective view of a gear, showing our new design;
FIG. 2 is a front side elevational view thereof;
FIG. 3 is a rear side elevational view thereof;
FIG. 4 is a left side elevational view thereof;
FIG. 5 is a right side elevational view thereof;
FIG. 6 is a top plan view thereof; and,
FIG. 7 is a bottom plan view thereof.

1 Claim, 5 Drawing Sheets

(56) **References Cited**

U.S. PATENT DOCUMENTS

- 1,385,144 A * 7/1921 Myers F04B 13/00
184/11.1
- 2,791,911 A * 5/1957 Wasko B22C 9/06
474/154
- 2,811,819 A * 11/1957 Heth A01D 82/00
100/70 A



(56)

References Cited

U.S. PATENT DOCUMENTS

D330,052 S 10/1992 Klitsner
 5,194,031 A 3/1993 Sahler
 5,251,711 A * 10/1993 Meyer A47L 5/28
 180/19.1
 D349,736 S 8/1994 Hatting
 D358,545 S 5/1995 Price
 D364,199 S 11/1995 Schmidt
 D366,073 S 1/1996 Schmidt
 D382,463 S 8/1997 Cloud
 D388,475 S 12/1997 Glickman
 D395,469 S 6/1998 Glickman
 D396,436 S * 7/1998 Liska D12/123
 D399,222 S 10/1998 Chang
 D402,995 S * 12/1998 Hakamata D15/148
 D402,996 S * 12/1998 Watanabe D15/148
 5,926,673 A 7/1999 Foster
 D434,351 S 11/2000 Takamori
 D435,001 S 12/2000 Takamori
 D436,561 S 1/2001 Louden
 D442,200 S 5/2001 Koch
 D443,880 S 6/2001 Iida
 6,283,076 B1 9/2001 Simpson
 D451,526 S 12/2001 Lee
 D453,214 S 1/2002 Komatsubara
 D470,861 S 2/2003 Kohno
 D470,862 S 2/2003 Kohno
 D472,843 S 4/2003 Marquez-Pickering
 D473,902 S 4/2003 Panno
 D482,847 S 12/2003 Lee
 6,722,221 B2 * 4/2004 Maxwell F01L 1/02
 474/902
 D498,775 S 11/2004 Hu
 D498,777 S 11/2004 Hu
 D498,778 S 11/2004 Hu
 6,910,980 B2 6/2005 Hamilton
 D527,245 S 8/2006 Kelleghan
 D527,738 S 9/2006 Pearson, Sr.
 D558,006 S 12/2007 Tuan Mu
 D559,080 S 1/2008 Boote
 D561,793 S 2/2008 Kanemitsu
 7,344,463 B2 3/2008 Reiter
 D585,345 S 1/2009 Maier
 D604,346 S 11/2009 Chiang
 D611,391 S 3/2010 Bourgeois
 D618,720 S 6/2010 Wasai
 D618,721 S 6/2010 Wasai
 7,914,408 B2 3/2011 Young
 D641,611 S * 7/2011 Minayoshi D8/354
 D647,118 S 10/2011 Parker
 D667,049 S 9/2012 Park
 D668,527 S * 10/2012 Noumi D8/356
 D670,304 S 11/2012 Shimozaki
 D670,305 S * 11/2012 Shimozaki D14/483
 D675,130 S * 1/2013 Senn D12/42
 D677,718 S 3/2013 Huck
 D683,099 S 5/2013 Wright
 D696,342 S 12/2013 Lewis
 D706,340 S 6/2014 Lee
 D728,432 S 5/2015 Lin
 9,033,835 B2 5/2015 Blank
 D738,439 S 9/2015 Kanbar
 D750,676 S 3/2016 Brown
 D757,832 S 5/2016 Calcino
 D765,551 S 9/2016 Baker, Jr.
 D774,987 S 12/2016 Miles
 D776,896 S 1/2017 Paitchell
 D779,587 S 2/2017 Li
 D779,618 S 2/2017 Farthing
 D781,345 S 3/2017 Pratley
 D787,380 S 5/2017 Karol
 D789,436 S 6/2017 McCurry
 D802,037 S 11/2017 Cordingley
 D802,039 S 11/2017 Cordingley
 D806,614 S 1/2018 Turner
 D811,948 S 3/2018 Turner

D815,675 S 4/2018 Karol
 D816,136 S 4/2018 Karol et al.
 D817,371 S 5/2018 Karol
 D817,372 S 5/2018 Karol
 D818,015 S 5/2018 Karol
 D824,971 S 8/2018 Karol
 D824,972 S 8/2018 Karol
 D825,631 S 8/2018 Karol
 D828,235 S 9/2018 Kittrel, Jr. et al.
 D829,627 S 10/2018 Hunt
 D847,886 S 5/2019 Karol
 D866,296 S 11/2019 Ohse
 D867,953 S 11/2019 Hunt
 D877,220 S 3/2020 Karol
 2002/0064447 A1 5/2002 Gurevich
 2003/0168291 A1 9/2003 Sneed
 2008/0176688 A1 7/2008 Sakura
 2008/0220689 A1 9/2008 Mimlitch
 2009/0080936 A1 3/2009 Parisi
 2010/0196047 A1 8/2010 Jin
 2012/0045247 A1 2/2012 Lewis
 2012/0183331 A1 7/2012 Huang et al.
 2012/0256471 A1 10/2012 Scogna
 2013/0306925 A1 11/2013 Cozza
 2015/0130260 A1 5/2015 Bando
 2017/0210164 A1 7/2017 Mjelde
 2017/0210437 A1 7/2017 Black
 2017/0297366 A1 10/2017 Parrott et al.

FOREIGN PATENT DOCUMENTS

JP 2007309488 A 11/2007
 WO WO 2007041291 A1 4/2007

OTHER PUBLICATIONS

#25 Sprockets—VEX Robotics, <http://www.vexrobotics.com/25-sprockets.html>, Innovation First International, Inc. © 2002-2016.
 #35 Sprockets—VEX Robotics, <http://www.vexrobotics.com/35-sprockets.html>, Innovation First International, Inc. © 2002-2016.
 1.125" Bearing Bore Gears—VEX Robotics, <http://www.vexrobotics.com/bearing-bore-gears.html>, Innovation First International, Inc. Copyright © 2002-2016.
 AndyMark, Gears Search—Andy Mark Inc. (<http://www.andymark.com>) <http://www.andymark.com/Gears-s/85.htm> © 2017 AndyMark, Inc.
 AndyMark, Sprocket Search—AndyMark Inc. (<http://www.andymark.com>) <http://www.andymark.com/Search-s/545.htm?Search=sprocket&Submit=> © 2017 AndyMark, Inc.
 AndyMark, Wheel Search—AndyMark Inc. (<http://www.andymark.com>) <http://www.andymark.com/Search-s/545.htm?Search=wheel&Submit=> © 2017 AndyMark, Inc.
 AP Table Chain Gear Assembly, posted on brunswickbowling.com, no posted date given, no production date given, [online], [site visited May 11, 2017], Available from Internet, <URL: <http://www.brunswickbowling.com/products/parts/gs-pinsetter/detail/table-chain-gear-assembly/>>.
 Ball Shifter & Dog Gears—VEX Robotics, <http://www.vexrobotics.com/shifter-gears.html>, Innovation First International, Inc. Copyright © 2002-2016.
 Camshaft Sprocket Chain Drive, posted on dlbensinger.com, no posted date given, no production date given, [online], [site visited May 11, 2017], Available from Internet <URL: https://www.dlbensinger.com/product_info.php?manufacturers_id=10&products_id=796>.
 Gear Base Pack—VEX Robotics, <http://www.vexrobotics.com/liq-gear-g.html>, Innovation First International, Inc. Copyright © 2002-2016.
 Gearbox Front Sprocket, posted on ebay.co.uk, posted Nov. 29, 2016, no production date given, [online], [site visited May 11, 2017], Available from Internet, <URL: <http://www.ebay.co.uk/itm/NEW-Tag-Metals-MX-Honda-CR250R-88-07-CR500R-CRF450-Gearbox-Front-Sprocket-13T-/252592369100>>.

(56)

References Cited

OTHER PUBLICATIONS

Kawada Machine Cut Spur Gear, posted on ebay.com, no posted date given, no production date given, [online], [site visited May 18, 2017], Available from Internet, <URL: http://www.ebay.com/itm/Kawada-Machine-Cut-Spur-Gear-64P-78T-1-10-RC-Cars-Touring-Drift-On-Road-SM6478-/142068863379?_trksid=p2385738.m2548.14275>.

Makeblock, Gears Search—Makeblock Co., Ltd. (<http://www.makeblock.com>) <http://learn.makeblock.com/en/mechanical-parts/#Gears> © 2013-2017 Makeblock Co., Ltd.

Makeblock, Sprocket Search—Makeblock Co., Ltd. (<http://www.makeblock.com>) <http://learn.makeblock.com/en/mechanical-parts/#Sprockets> © 2013-2017 Makeblock Co., Ltd.

Makeblock, Wheel Search—MakeBlock Co., Ltd (<http://www.makeblock.com>) <http://learn.makeblock.com/en/mechanical-parts/#Wheels> © 2013-2017 Makeblock Co., Ltd.

Martin Roller Chain Sprocket, posted on amazon.com, earliest review posted Nov. 18, 2012, no production date given, [online], [site visited May 11, 2017], Available from Internet, <URL: https://www.amazon.com/Martin-Roller-Sprocket-Bored-Single/product-reviews/B004JXWH8C/ref=cm_cr_getr_d_paging_btm_3?ie=UTF8&reviewerType=avp_only_reviews&sortBy=r>.

Modern Robotics, Gears Search—Modern Robotics, Inc. (<http://www.modernroboticsinc.com>) <http://www.modernroboticsinc.com/search?q=gear> © 2017 Modern Robotics, Inc.

Modern Robotics, Wheel Search—Modern Robotics Inc. (<https://www.modernroboticsinc.com/en/search?q=wheel>) © 2017 Modern Robotics Inc.

Pitsco Tetrax, Gears Search—Tetrax Robotics (<http://www.tetraxrobotics.com>) <http://www.tetraxrobotics.com/Search/gears?st=0> © 2017 Pitsco, Inc. (1 pg.)

Robinson Racing Spur Gear, 72T; NRU, TMX RRP8572, posted on amazon.com, earliest reviewed Jan. 19, 2015, no production date given, [online], [site visited May 18, 2017], Available from internet <URL: https://www.amazon.com/Robinson-Racing-Steel-Spur-Gear/dp/B0006N6N7K/ref=sr_1_9?ie=UTF8&qid=1495154175&sr=8-9&keywords=spur+gear>.

Roller chain sprockets and platewheels, posted fbchain.com, no posted date given, no production date given, [online], [site visited May 11, 2017], Available from Internet, <URL: <http://www.fbchain.com/sprockets>>.

Servocity Robotics, Gears Search—Servocity Robotics (<https://www.servocity.com>) <https://www.servocity.com/catalogsearch/result?q=Gears> © 1999-2016 Robotzone, LLC—ServoCity® is a registered trademark of Robotzone, LLC.

Servocity Robotics, Sprocket Search—Servocity Robotics (<https://www.servocity.com>) <https://www.servocity.com/catalogsearch/result?q=Sprocket> © 1999-2016 Robotzone, LLC—ServoCity® is a registered trademark of Robotzone, LLC.

Servocity Robotics, Wheel Search—Servocity Robotics (<https://www.servocity.com>) <https://www.servocity.com/catalogsearch/result?q=wheel> © 1999-2016 Robotzone, LLC, ServoCity® is a registered trademark of Robotzone, LLC.

SparkFun Electronics Wheel Search—SparkFun Electronics (<https://www.sparkfun.com>) <https://www.sparkfun.com/search/results?term=gears> (Publication date unknown but assumed to be prior to the filing date).

SparkFun Electronics Sprocket Search—SparkFun Electronics (<https://www.sparkfun.com>) <https://www.sparkfun.com/search/results?term=sprocket> (Publication date unknown but assumed to be prior to the filing date).

SparkFun Electronics Wheel Search—SparkFun Electronics (<https://www.sparkfun.com>) <https://www.sparkfun.com/search/results?term=wheel> (Publication date unknown but assumed to be prior to the filing date.).

Sprocket Hub Gear Guard Kit, posted on ebay.com, no posted date given, no production date given, [online], [site visited May 11, 2017], Available from Internet, <URL: <http://www.ebay.com/itm/191673594110?rmvSB=true>>.

Sprockets & Chain—VEX Robotics, <http://vexrobotics.com/sprockets-and-chain.html>, Innovation First International, Inc. © 2002-2016.

Sprockets & Chain Kit—VEX Wiki, https://www.vexrobotics.com/wild/Sprocket_and_Chain_Kit, Innovation First International, Inc. © 2002-2016.

Tetrax Pitsco Wheel Search—Pitsco Inc. (<http://www.servocity.com>) <http://www.tetraxrobotics.com/Search/wheel?st=0> © 2017 Pitsco, Inc.

Tsubaki Sprockets, posted on frasers.com, no posted date given, no production date given [online], [site visited May 11, 2017], Available from Internet, <URL: <http://www.frasers.com/supplier/tsubaki-of-canada-ltd-16573675102/product-category/chain-sprockets-10647377260>>.

United 22mm Spline Drive Metro Sprocket, posted on acebmx.com, posted Sep. 17, 2013, no production date given, [online], [site visited May 11, 2017], Available from Internet, <URL: <http://www.acebmx.com/sprockets-bmx-c-60/united-22mm-spline-drive-metro-sprocket-p-3633.html>>.

Vex Pro Gears—Vex Robotics (<https://www.vexrobotics.com/vexpro>) <https://www.vexrobotics.com/vexpro/motion/vexpro-gears> © 2002-2017, VEX Robotics, Inc. is a subsidiary of Innovation First International, Inc.

Vex Robotics Gears Search—Vex Robotics (<https://www.vexrobotics.com>) <https://www.vexrobotics.com/catalogsearch/result?q=gears> © 2002-2017. VEX Robotics, Inc. is a subsidiary of Innovation First International, Inc.

Vex Robotics Sprocket Search—Vex Robotics, Inc. (<https://www.vexrobotics.com>) <https://www.vexrobotics.com/catalogsearch/resault?q=sprocket> © 2002-2017. VEX Robotics, Inc. is a subsidiary of Innovation First International, Inc.

Vex Robotics Wheel Search—Vex Robotics (<https://www.vexrobotics.com>) <https://www.vexrobotics.com/catalogsearch/result?q=wheel>.

U.S. Appl. No. 29/553,527, Karol et al., filed Feb. 2, 2016, U.S. Design Pat. No. 787,380.

U.S. Appl. No. 29/572,420, Karol et al., filed Jul. 27, 2016, U.S. Design Pat. No. 824,972.

U.S. Appl. No. 29/572,423, Karol et al., filed Jul. 27, 2016, U.S. Design Pat. No. 818,015.

U.S. Appl. No. 15/419,882, Karol et al., filed Jan. 30, 2017.

U.S. Appl. 29/629,982, Karol et al., filed Dec. 18, 2017, U.S. Design Pat. No. 847,886.

U.S. Appl. No. 29/629,983, Karol et al., filed Dec. 18, 2017, U.S. Design Pat. No. 877,220.

U.S. Appl. No. 29/645,161, Karol et al., filed Apr. 24, 2018, U.S. Designs Pat. No. 844,682.

U.S. Appl. No. 29/646,704, Karol et al., filed May 7, 2018, U.S. Design Pat. No. 860,279.

U.S. Appl. No. 29/657,871, Karol et al., filed Jul. 26, 2018.

U.S. Appl. No. 29/572,419, Karol et al., filed Jul. 27, 2018.

U.S. Appl. No. 29/657,800, Karol et al., filed Jul. 25, 2018.

U.S. Appl. No. 29/661,815, Hunt et al., Aug. 30, 2018, U.S. Design Pat. No. 867,953.

* cited by examiner

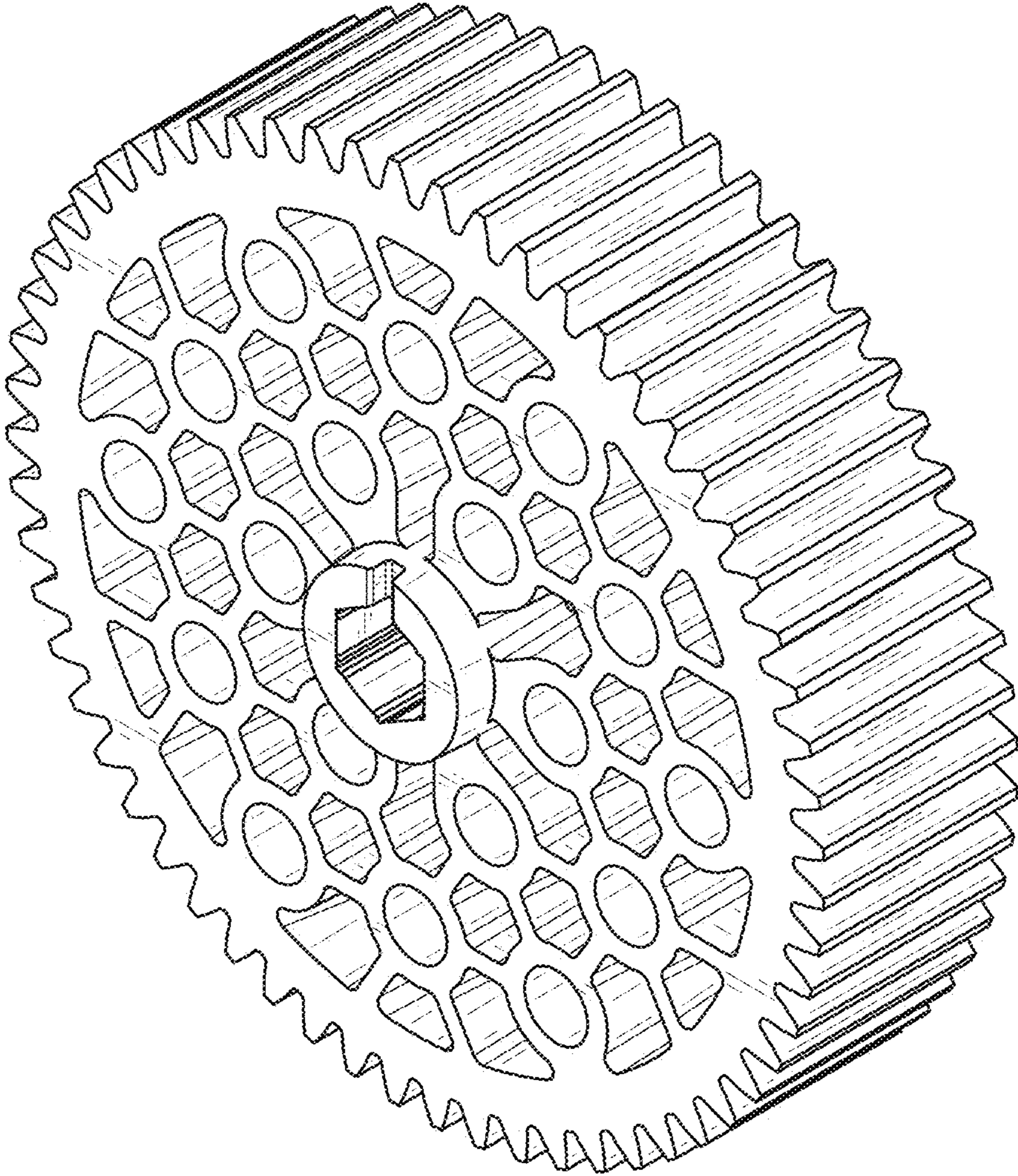


FIG. 1

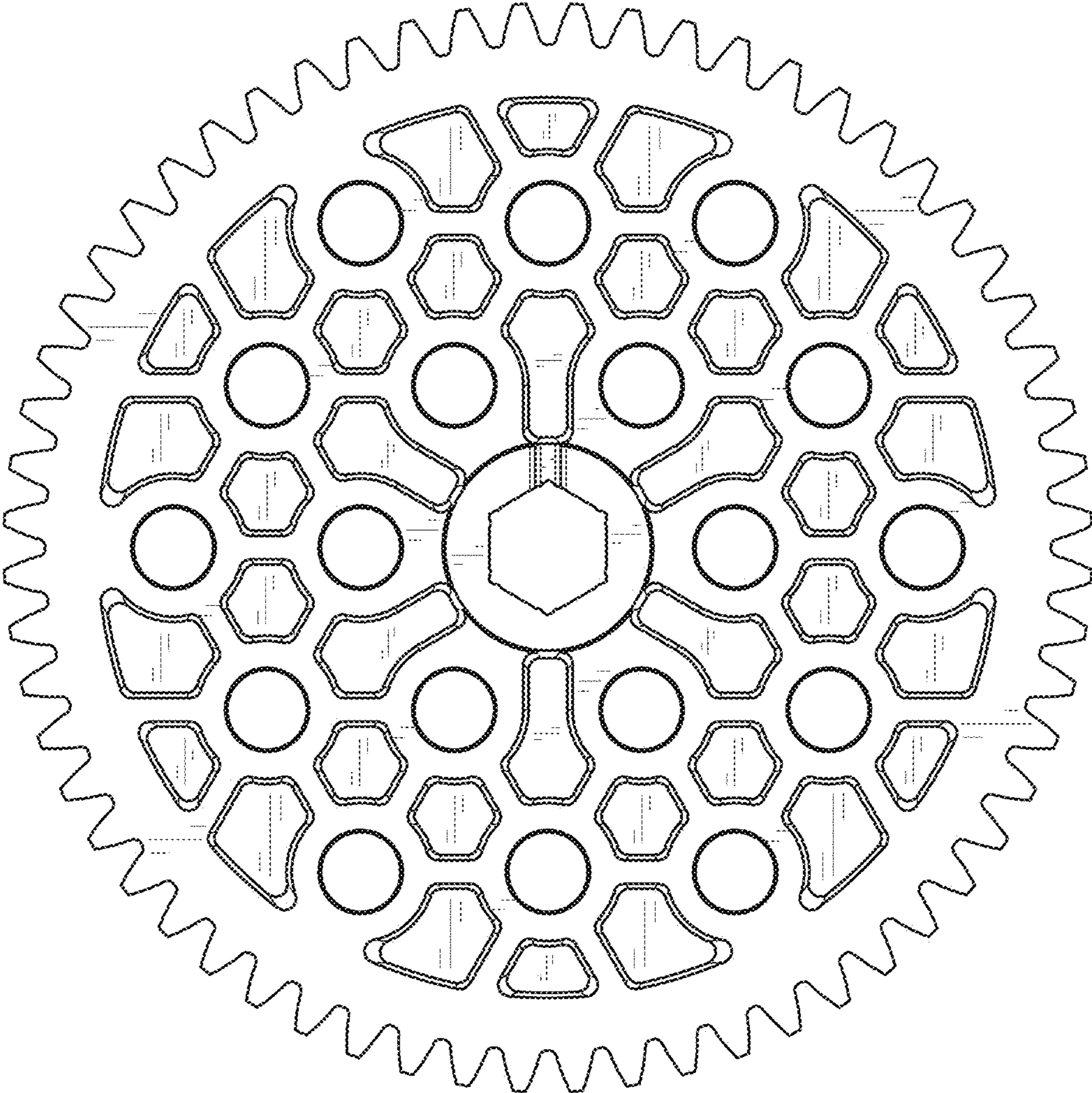


FIG. 2

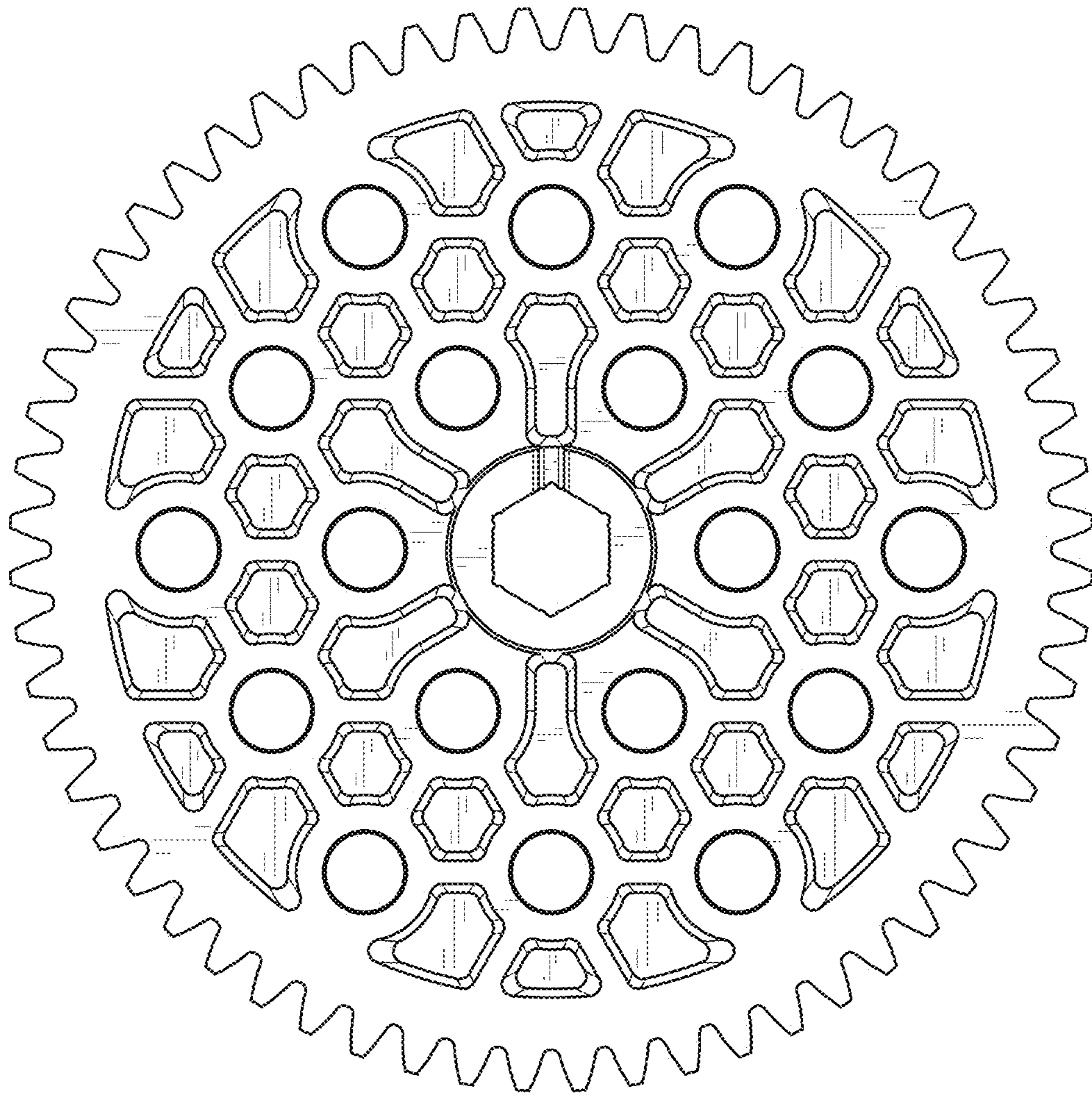


FIG. 3

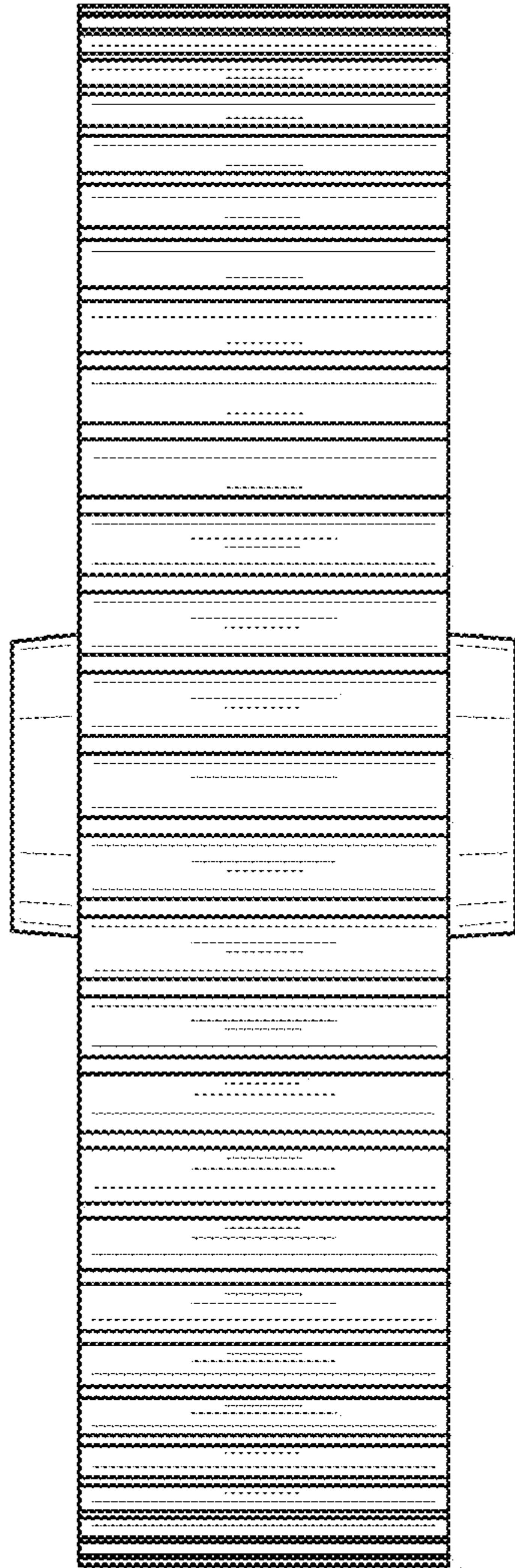


FIG. 4

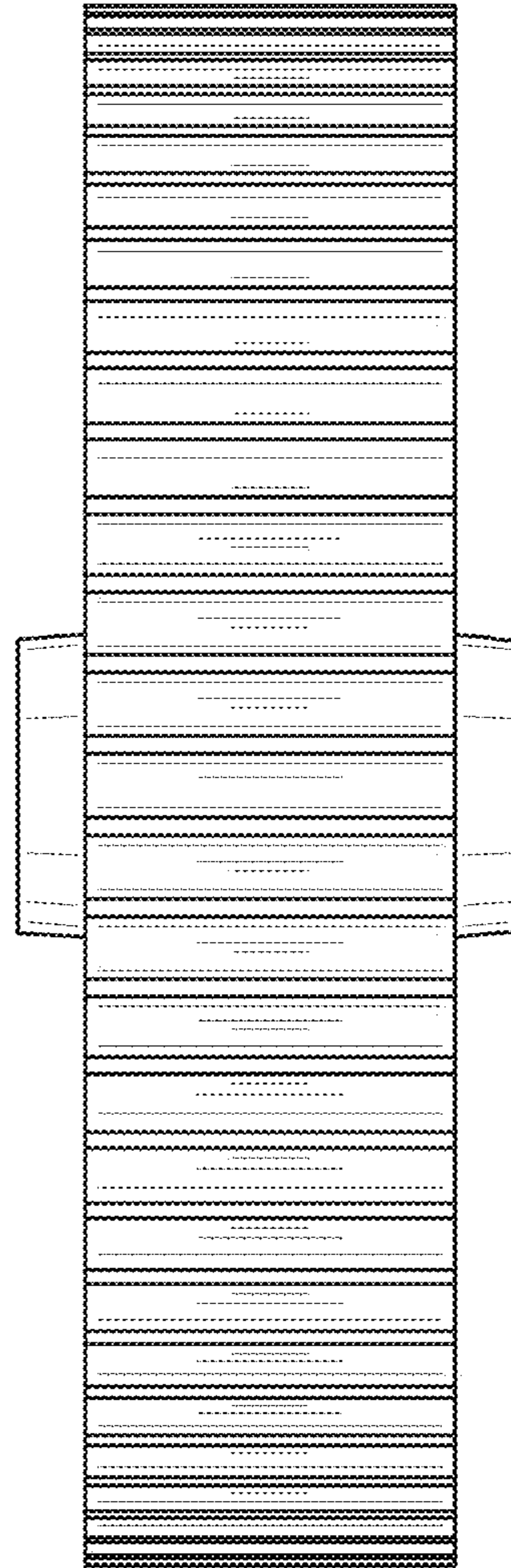


FIG. 5

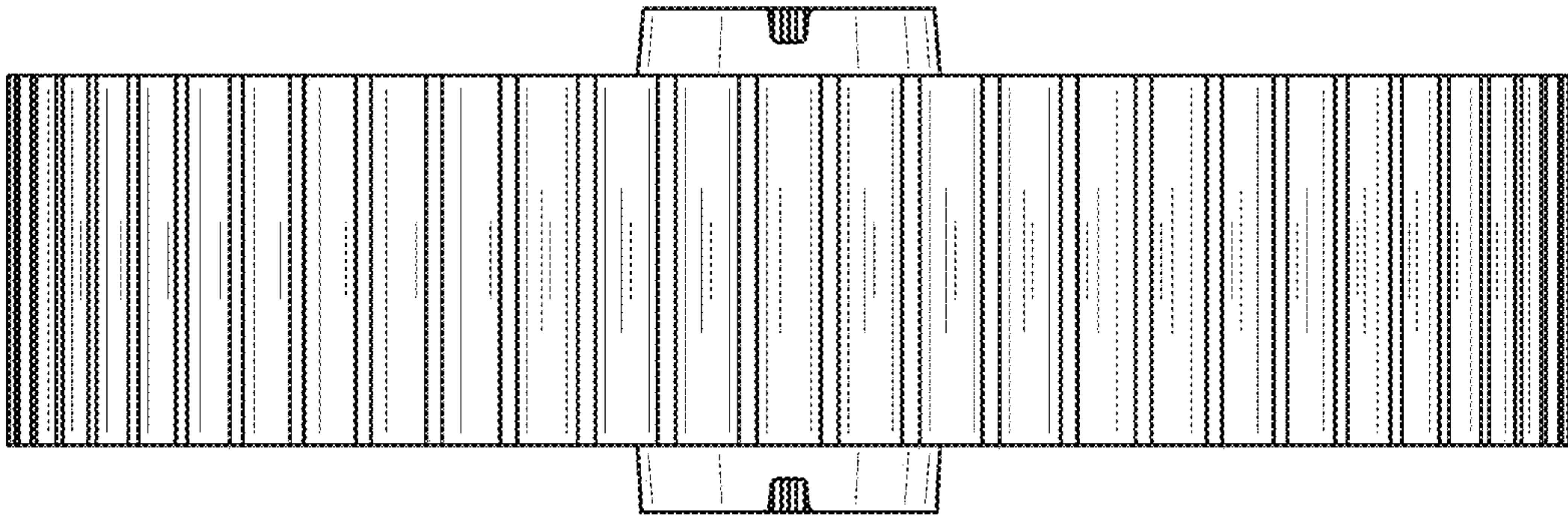


FIG. 6

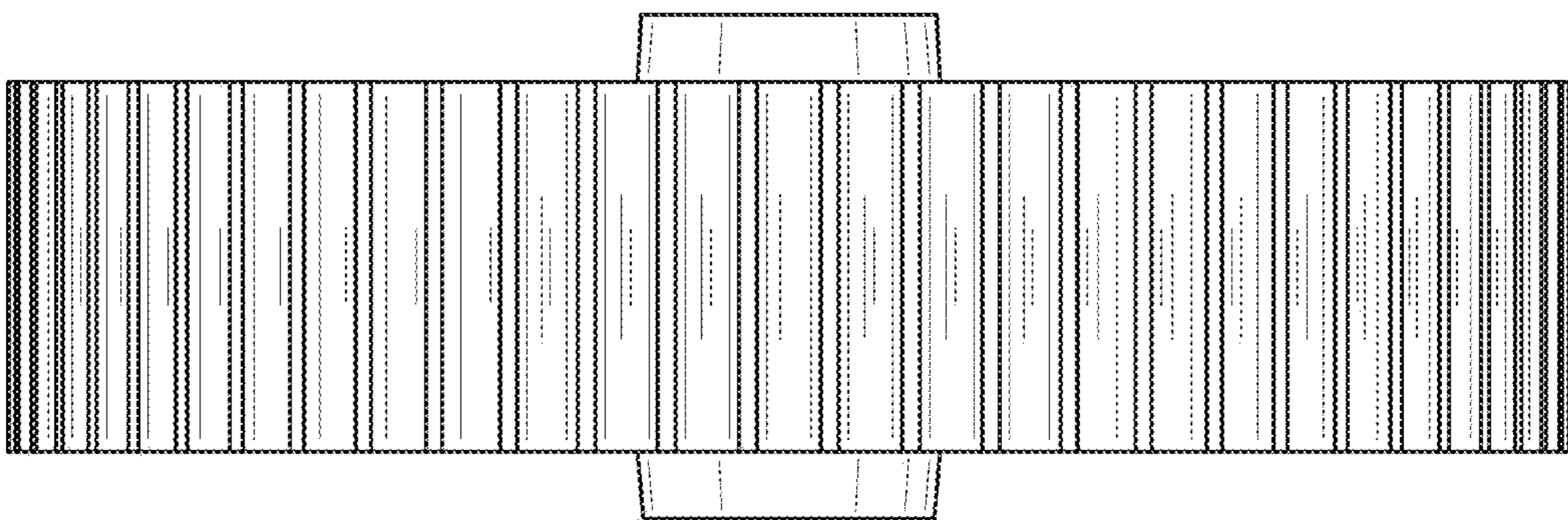


FIG. 7