



US00D888114S

(12) **United States Design Patent** (10) **Patent No.:** **US D888,114 S**
Montgomery (45) **Date of Patent:** **** Jun. 23, 2020**

(54) 3D PRINTER HOTEND	8,252,223 B2 *	8/2012 Medina	B33Y 70/00
				264/401
(71) Applicant: Slice Engineering LLC , Gainesville, FL (US)	8,708,685 B2 *	4/2014 Hickerson	B29C 35/0805
				425/174.4
	8,827,684 B1 *	9/2014 Schumacher	B29C 64/20
				425/375
(72) Inventor: Christopher Mark Montgomery , Austin, TX (US)	9,085,109 B2 *	7/2015 Schmehl	B33Y 10/00
	D739,885 S *	9/2015 Lee	D15/122
	9,156,205 B2 *	10/2015 Mark	B29C 70/20
	D749,157 S *	2/2016 Seidenberg	D15/138
(73) Assignee: Slice Engineering LLC , Gainesville, FL (US)	9,314,970 B2 *	4/2016 Elsworthy	B29C 31/042
	9,521,285 B1 *	12/2016 Lee	B29C 64/236
	9,527,272 B2 *	12/2016 Steele	B33Y 10/00

(Continued)

(**) Term: **15 Years**
(21) Appl. No.: **29/715,588**
(22) Filed: **Dec. 3, 2019**

FOREIGN PATENT DOCUMENTS

CN	204977465 U	1/2016
CN	205439273 U	8/2016

(Continued)

Related U.S. Application Data

(63) Continuation of application No. 29/695,937, filed on Jun. 24, 2019, now Pat. No. Des. 875,794, which is a continuation of application No. 15/981,615, filed on May 16, 2018.

(51) **LOC (12) Cl.** **15-09**
(52) **U.S. Cl.**
USPC **D15/122**

(58) **Field of Classification Search**
USPC D8/6, 7, 14, 19, 50, 54, 55, 59;
D15/122, 135, 138, 199
CPC ... B29C 59/026; B29C 64/106; B29C 64/112;
B29C 64/209; B29C 64/232; B29C
64/386; B29C 64/393; B33Y 30/00;
B33Y 30/02
See application file for complete search history.

(56) **References Cited**

U.S. PATENT DOCUMENTS

5,939,008 A *	8/1999 Comb	B33Y 10/00
			264/308
7,168,935 B1 *	1/2007 Taminger	B23K 15/0073
			219/121.12

Primary Examiner — Patricia A Palasik

(74) *Attorney, Agent, or Firm* — McAndrews, Held & Malloy, Ltd.

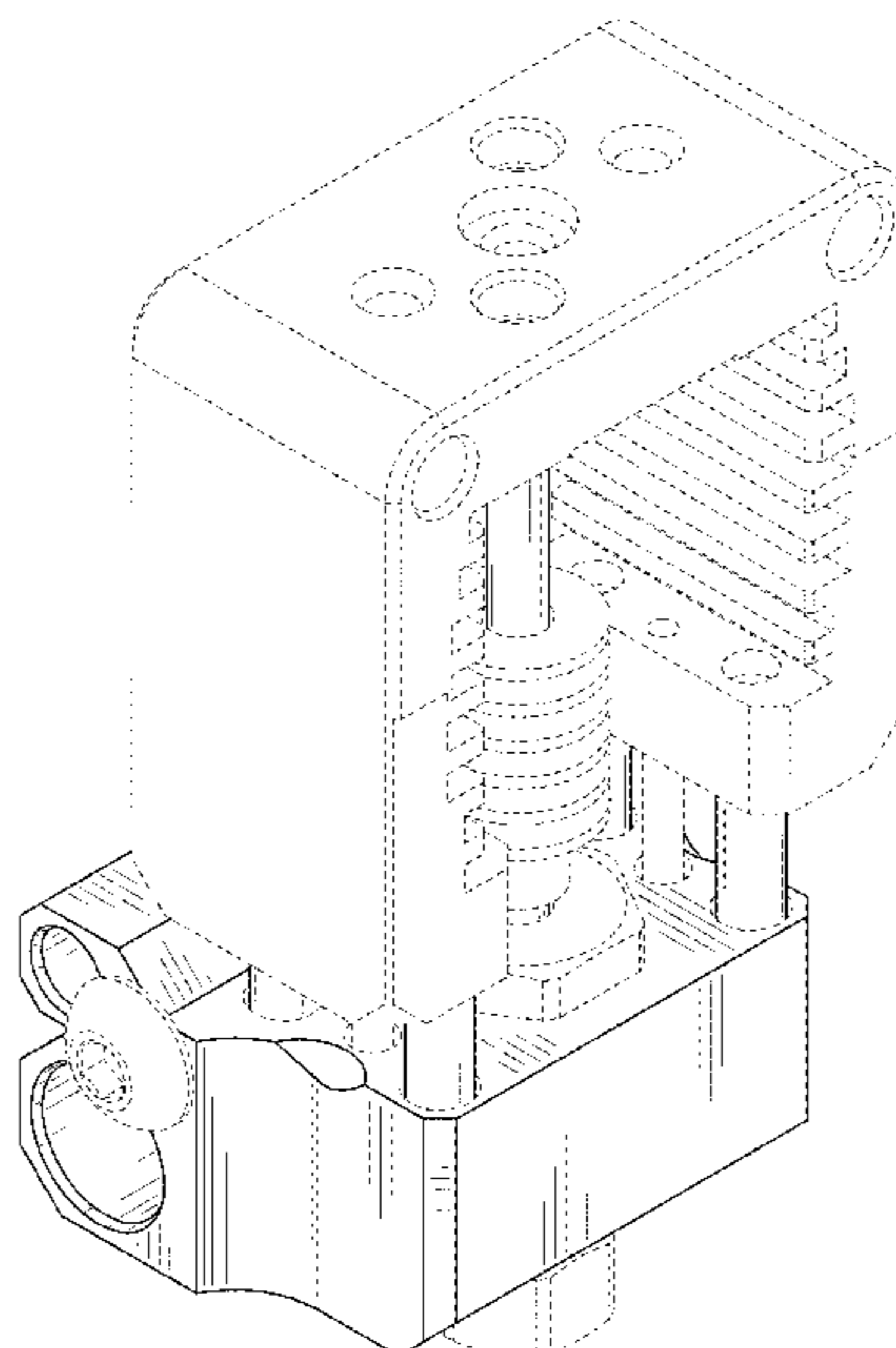
(57) **CLAIM**

The ornamental design for a 3D printer hotend, as shown and described.

DESCRIPTION

FIG. 1 is a front-top perspective view of a 3D printer hotend showing my new design;
FIG. 2 is a front elevation view thereof;
FIG. 3 is a rear elevation view thereof;
FIG. 4 is a right side elevation view thereof;
FIG. 5 is a left side elevation view thereof;
FIG. 6 is a top plan view thereof;
FIG. 7 is a bottom plan view thereof; and,
FIG. 8 is a rear-bottom perspective view thereof.
The dashed broken lines in the figures illustrate portions of the 3D printer hotend that form no part of the claimed design.

1 Claim, 8 Drawing Sheets



(56)

References Cited

U.S. PATENT DOCUMENTS

10,007,253 B2 * 6/2018 Hotta G05B 19/4099
 10,052,860 B2 * 8/2018 Chang B33Y 30/00
 10,105,901 B2 * 10/2018 Mou B41J 2/145
 10,150,258 B2 * 12/2018 Feinberg B33Y 10/00
 10,155,313 B2 * 12/2018 Langford B33Y 10/00
 10,189,205 B1 * 1/2019 Ciscon B29C 64/393
 10,207,326 B2 * 2/2019 Park B28B 7/465
 10,207,462 B1 * 2/2019 Fields B29C 67/0085
 10,214,003 B2 * 2/2019 Lu B33Y 10/00
 10,245,783 B2 * 4/2019 Fuller B29C 64/20
 10,274,935 B2 * 4/2019 Vernon B29C 64/218
 10,286,588 B2 * 5/2019 Susnjara B29C 64/20
 10,363,730 B2 * 7/2019 Klein B29C 64/218
 10,384,389 B2 * 8/2019 Contractor B29C 64/106
 D875,794 S * 2/2020 Montgomery B29C 64/106
 D15/122
 2010/0100224 A1 * 4/2010 Comb B33Y 40/00
 700/118
 2016/0193778 A1 7/2016 Lee et al.
 2016/0368218 A1 * 12/2016 Cruz B29C 64/20
 2017/0050374 A1 * 2/2017 Minardi G05B 15/02
 2017/0144379 A1 * 5/2017 Sung B33Y 50/02
 2019/0022935 A1 1/2019 Leonardus van Tooren et al.
 2019/0030807 A1 * 1/2019 Ciscon B29C 64/245

FOREIGN PATENT DOCUMENTS

CN 103950199 B 9/2016
 CN 104999669 B 4/2018
 DE 102015103377 A1 5/2016
 KR 1020170010624 A 2/2017
 KR 1020170111520 A 10/2017

* cited by examiner

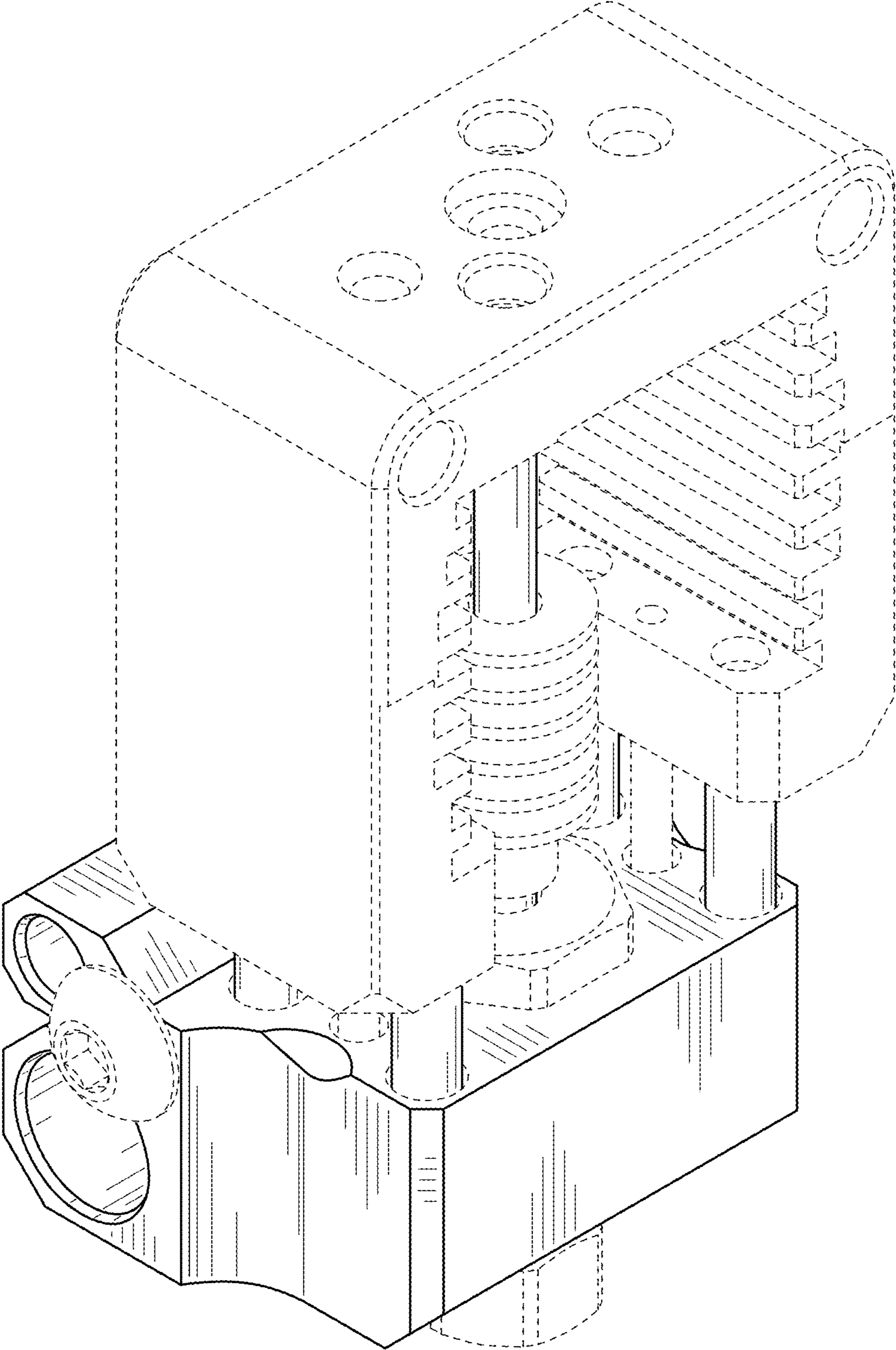


FIG. 1

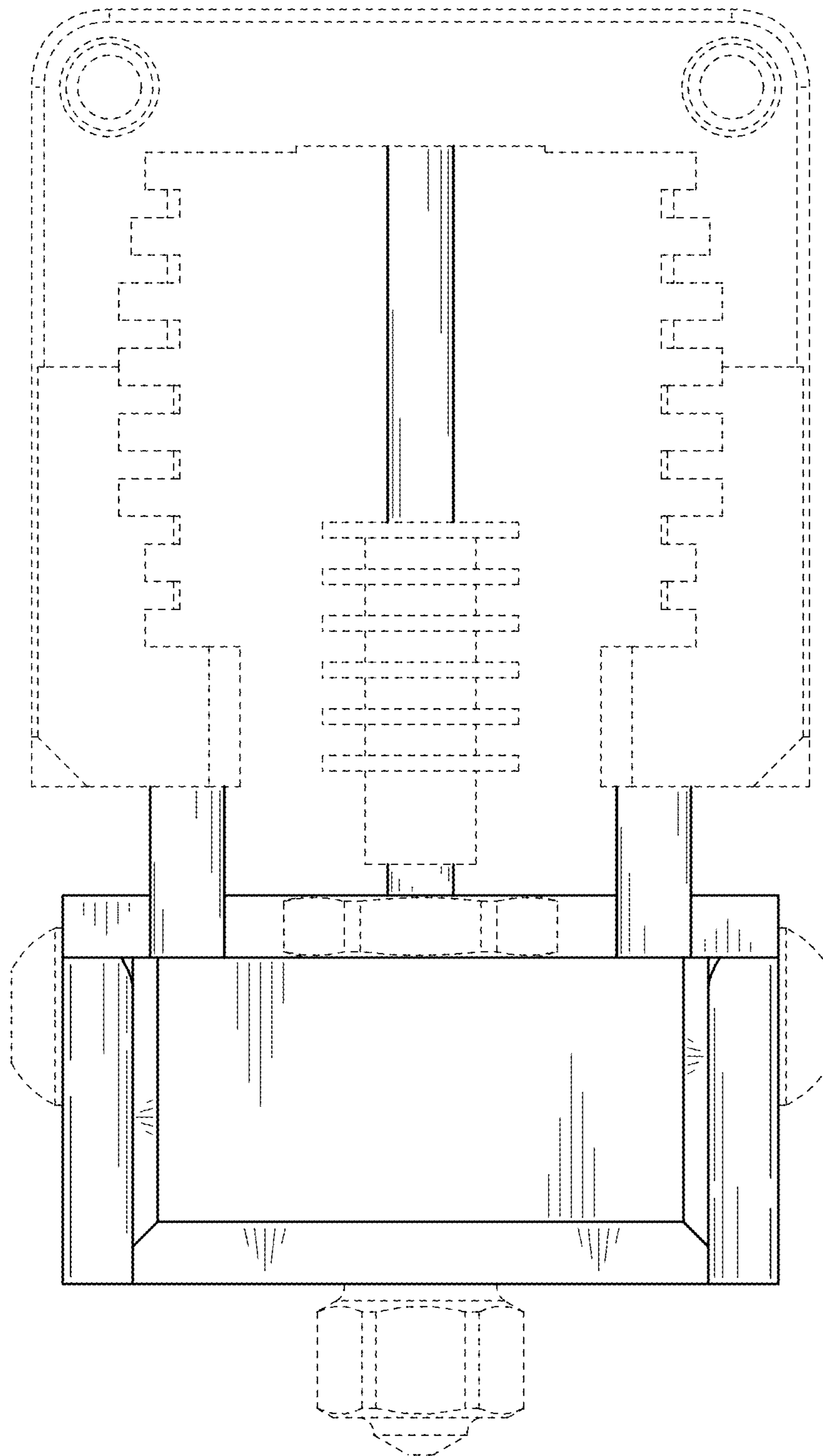


FIG. 2

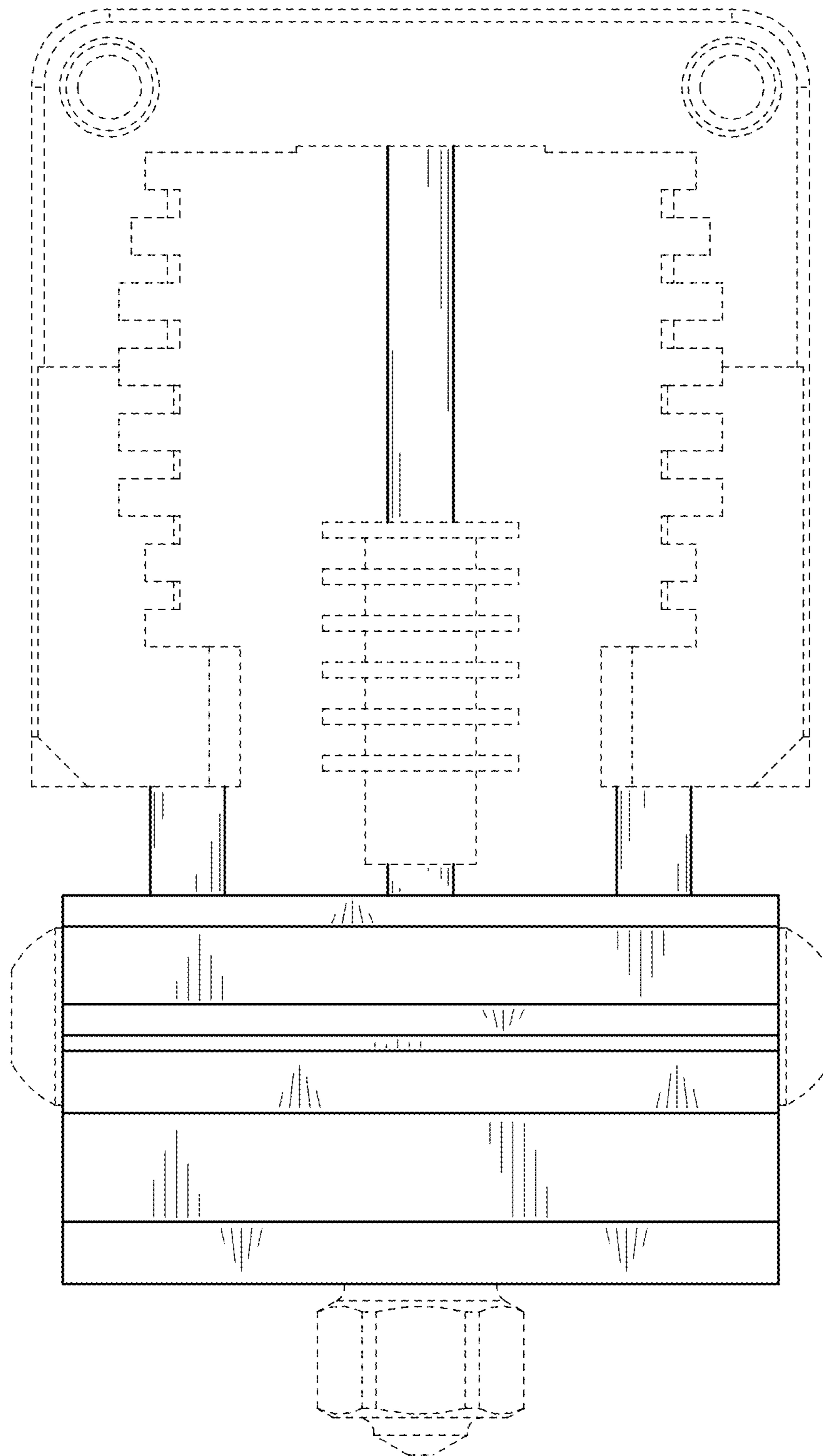


FIG. 3

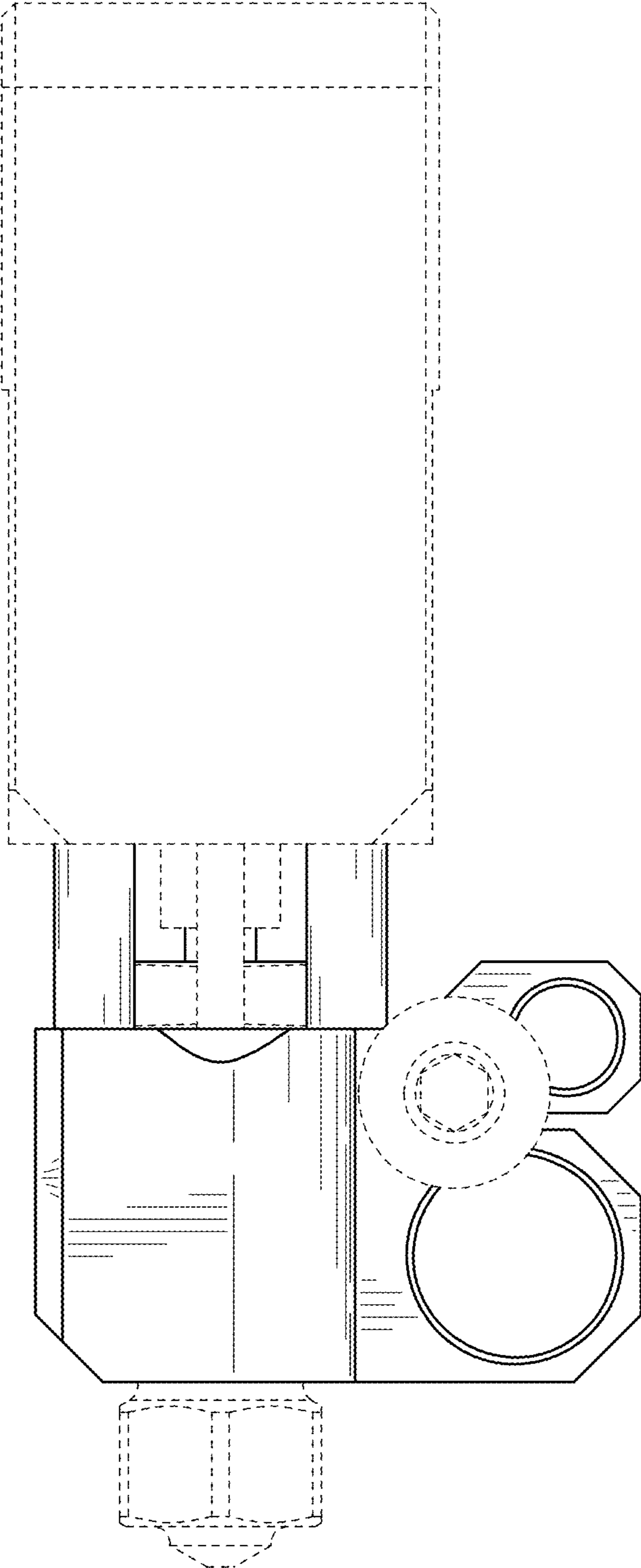


FIG. 4

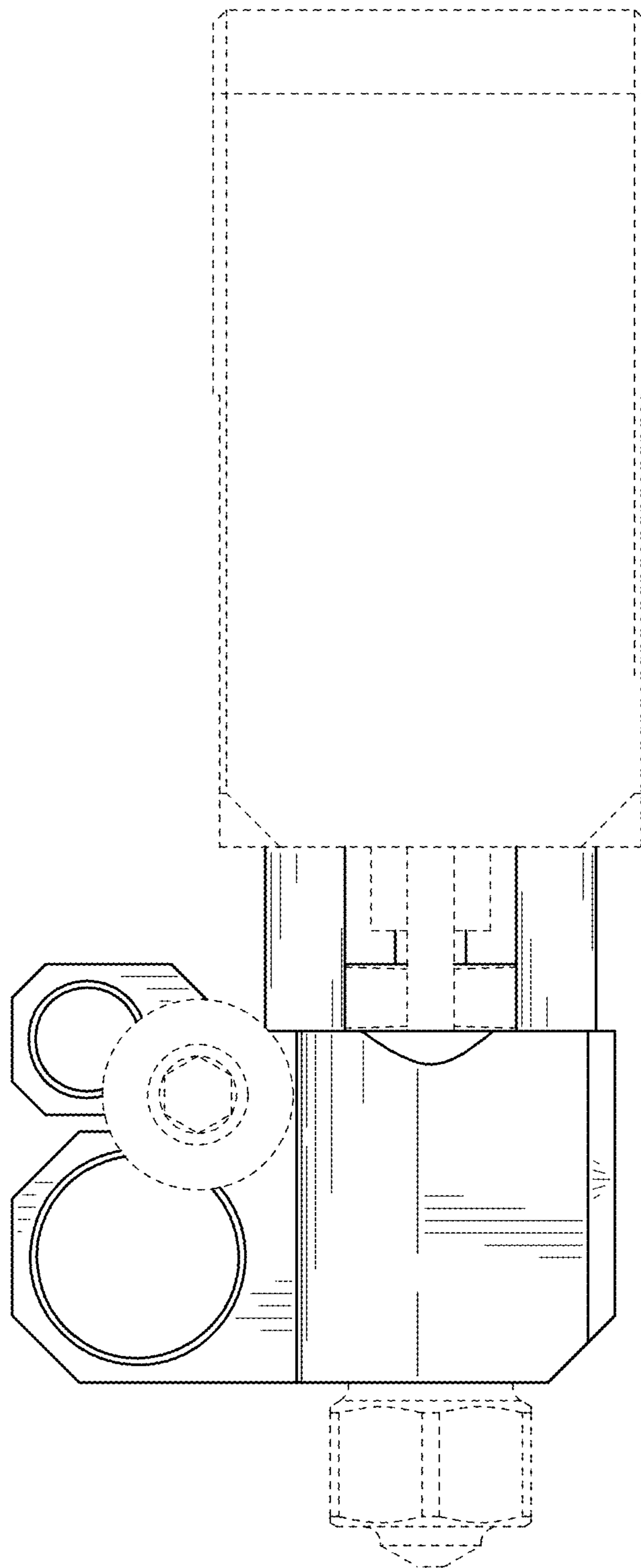


FIG. 5

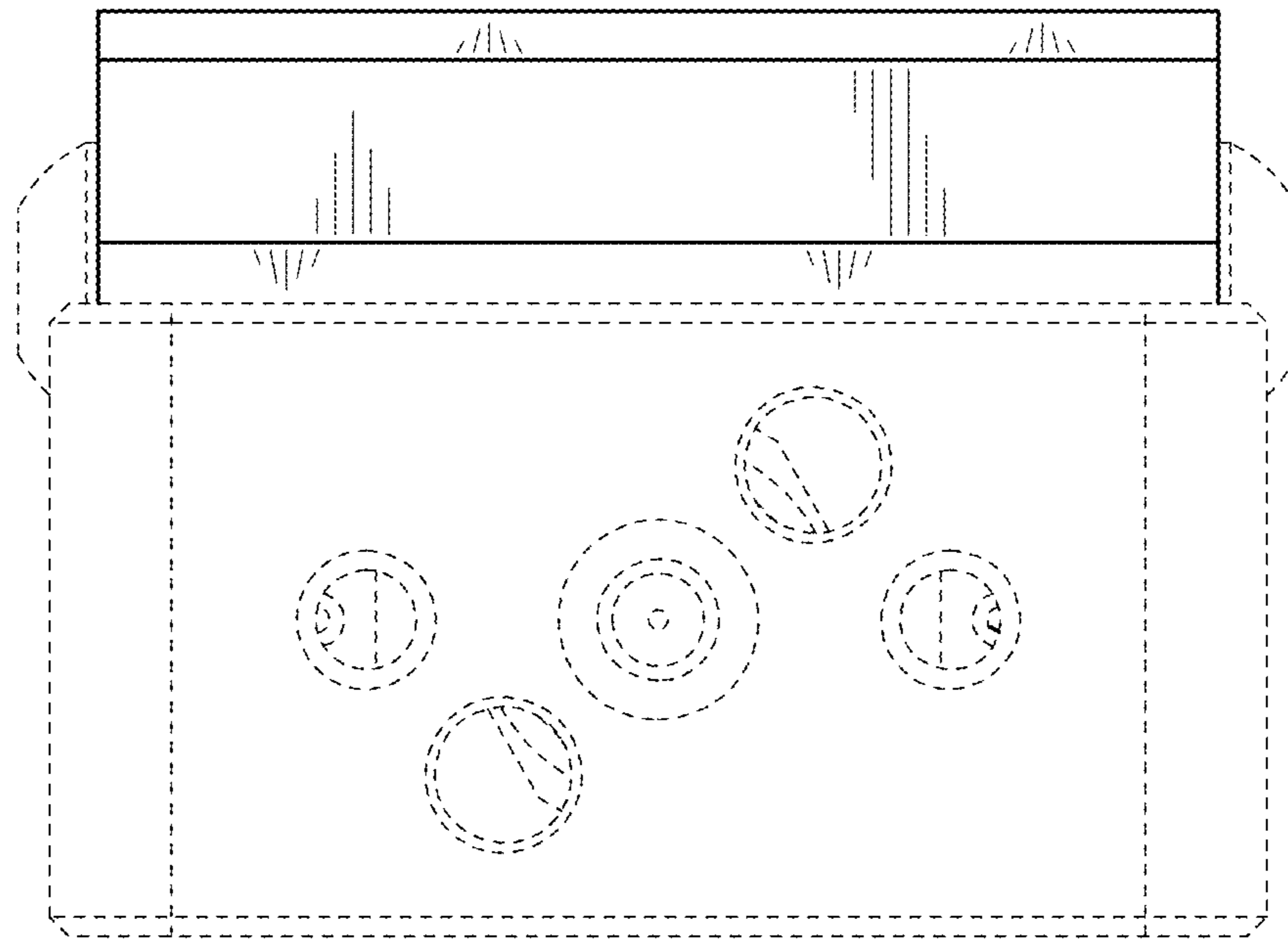


FIG. 6

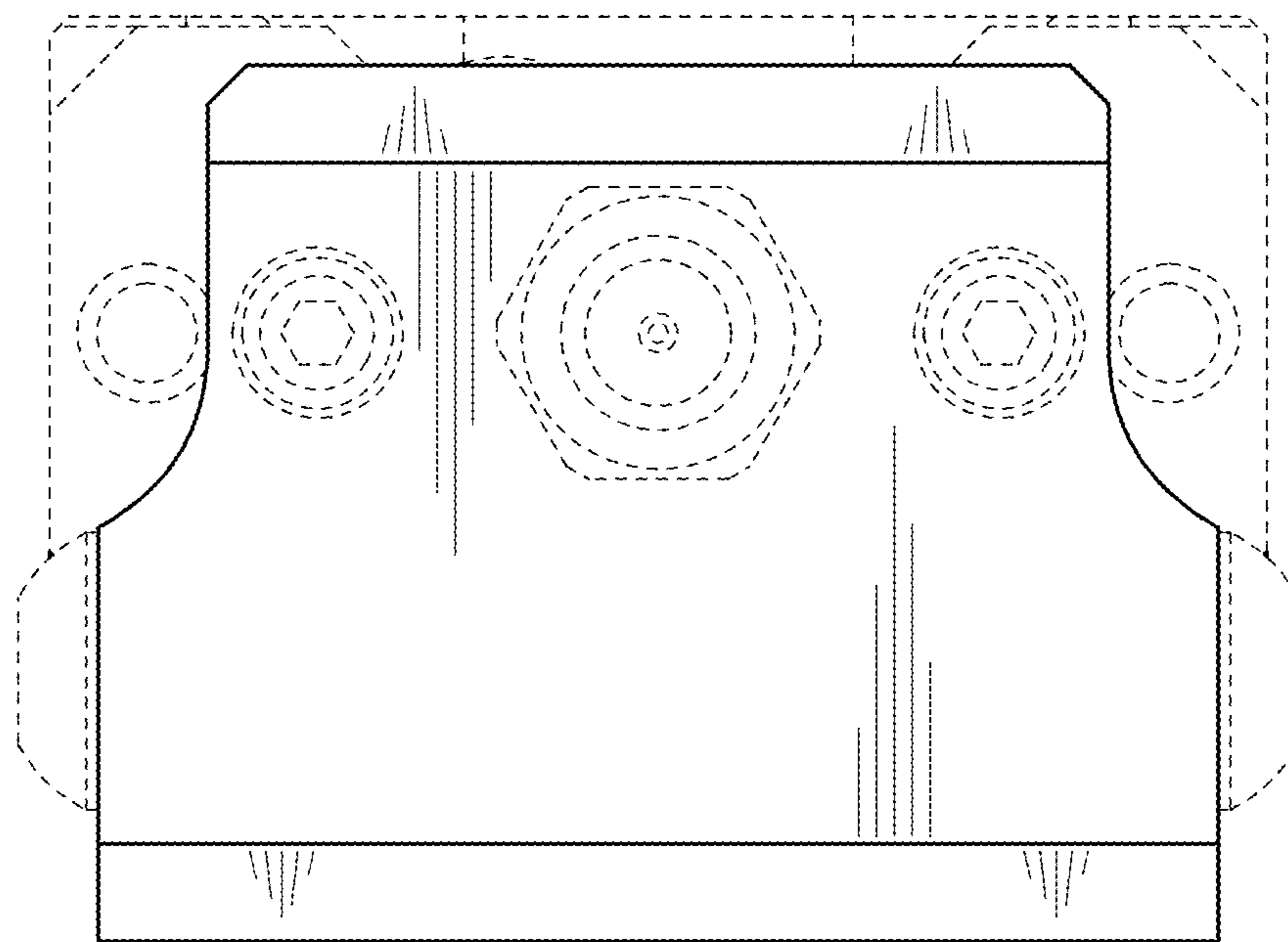


FIG. 7

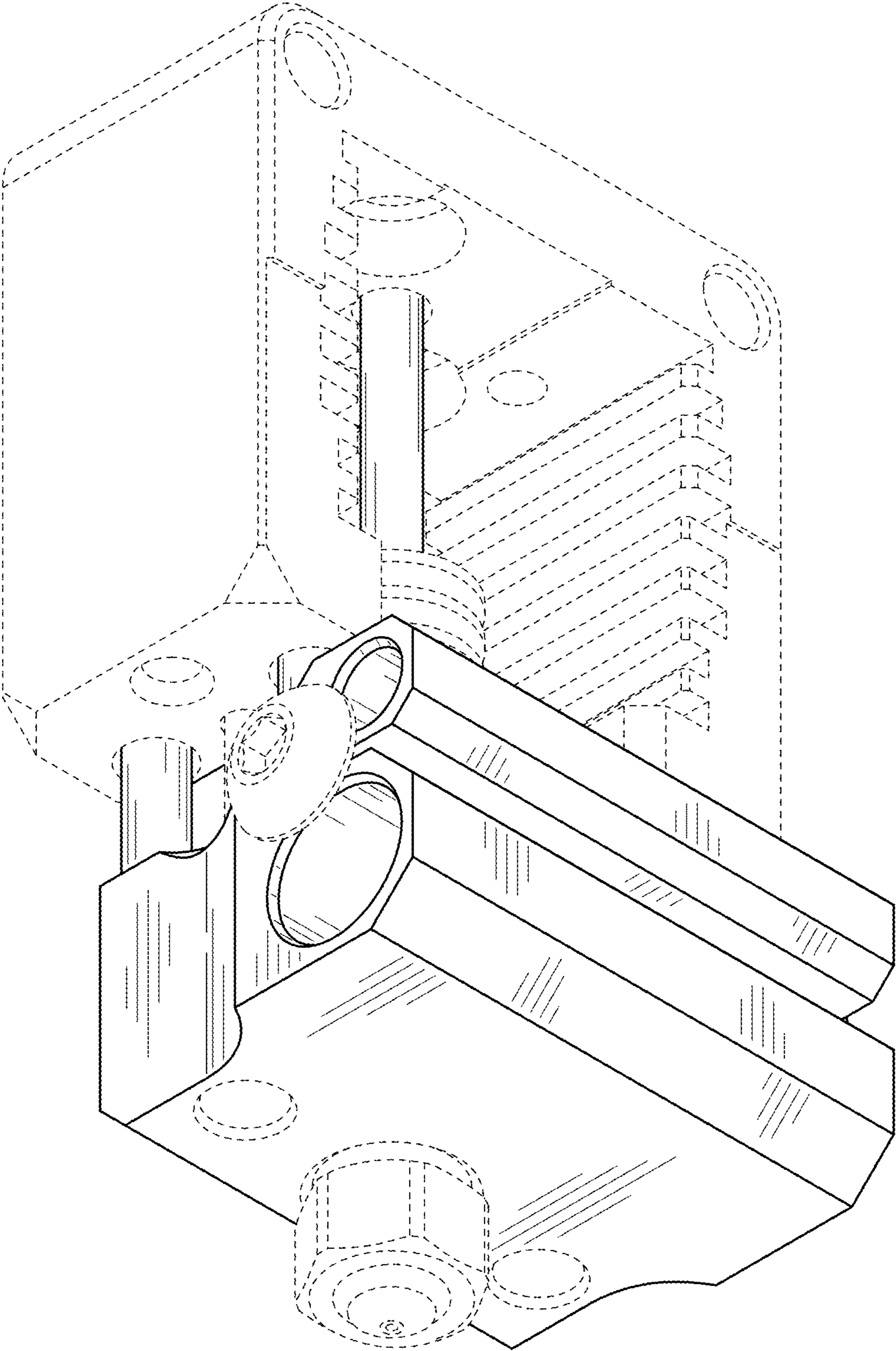


FIG. 8