



US00D888112S

(12) **United States Design Patent**
Kim et al.

(10) **Patent No.:** **US D888,112 S**
(45) **Date of Patent:** **** Jun. 23, 2020**

(54) **REFRIGERATOR**

(71) Applicant: **SAMSUNG ELECTRONICS CO., LTD.**, Suwon-si, Gyeonggi-do (KR)

(72) Inventors: **Hyunsoo Kim**, Seongnam-si (KR);
Youngmin Park, Seoul (KR)

(73) Assignee: **SAMSUNG ELECTRONICS CO., LTD.**, Gyeonggi-Do (KR)

(**) Term: **15 Years**

(21) Appl. No.: **29/676,082**

(22) Filed: **Jan. 8, 2019**

(30) **Foreign Application Priority Data**

Jul. 9, 2018 (KR) 30-2018-0031540

(51) **LOC (12) Cl.** **15-07**

(52) **U.S. Cl.**
USPC **D15/89**

(58) **Field of Classification Search**
USPC D15/79-91
CPC F25D 23/028; F25D 11/02; F25D 23/126;
F25D 25/02; F25D 27/00; F25D 27/005;
F25D 23/025; F25D 23/04; F25D
2323/021; F25D 2323/023; F25D 23/062;
F25D 25/025; F25D 17/045; F25D
2325/021; F25D 2325/022; F25D 23/00;
F25D 23/02; F25D 23/067; F25D 23/069;
F25D 2400/361; F25D 2500/02; F25D
2500/06; F25D 25/024; F25D 29/00;
F25D 11/00; F25D 11/022; F25D 17/065;
F25D 21/04; F25D 2317/061; F25D
2317/063; F25D 2317/0651; F25D
2317/0653; F25D 2317/0661; F25D
2317/0665; F25D 2323/121; F25D
2323/122; F25D 2327/00;

(Continued)

(56) **References Cited**

U.S. PATENT DOCUMENTS

D847,879 S * 5/2019 Lee D15/89
D852,235 S * 6/2019 Broen D15/89
(Continued)

FOREIGN PATENT DOCUMENTS

EM 001014468-0002 10/2008
KR 200421309 Y1 7/2006
(Continued)

OTHER PUBLICATIONS

CleanwidU. [online]. p. 1 of 1 [retrieved on Jan. 2, 2019]. Retrieved from the Internet: <URL: <http://blog.naver.com/hkw133/220177937487>.

(Continued)

Primary Examiner — Khawaja Anwar

(74) *Attorney, Agent, or Firm* — Cantor Colburn LLP

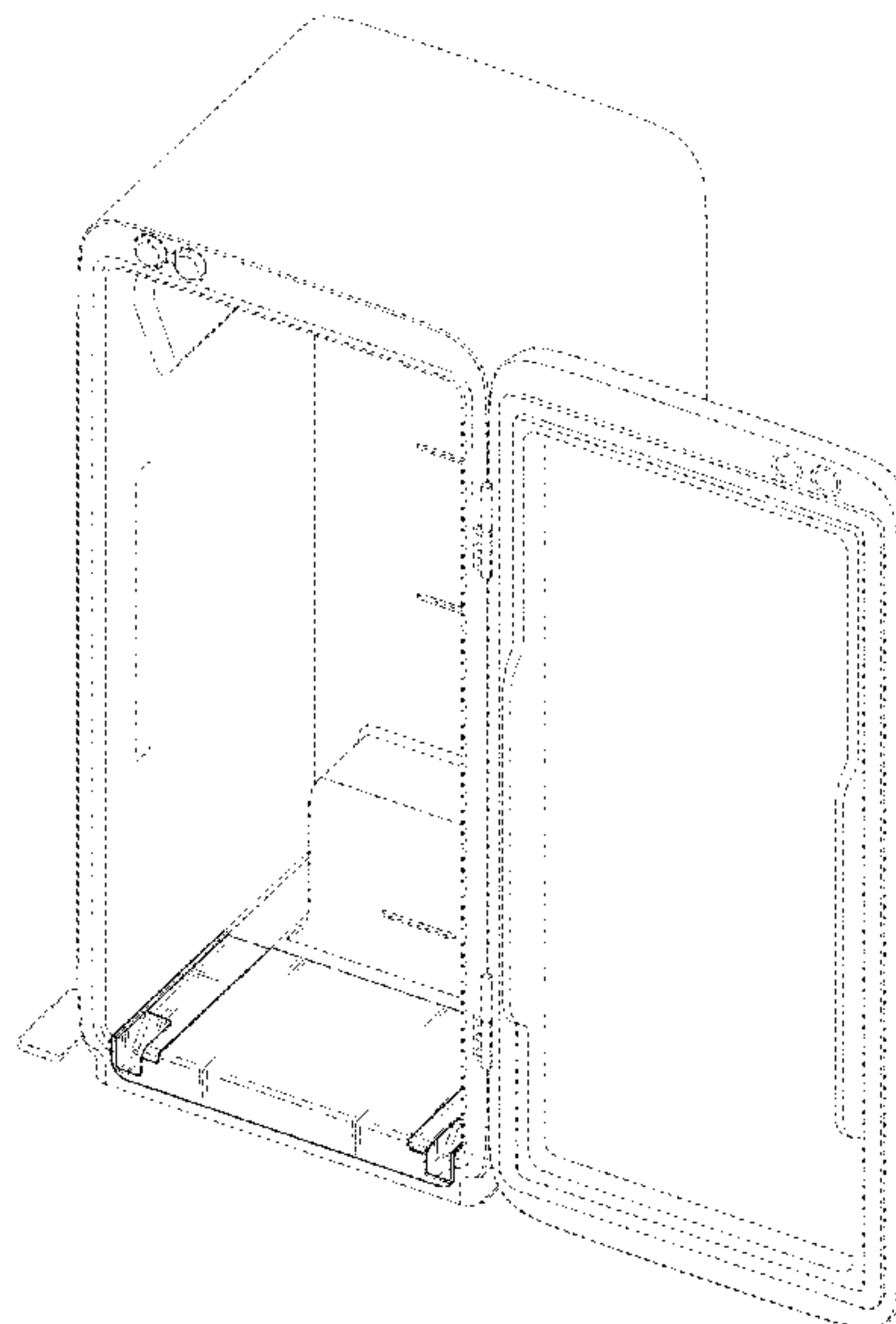
(57) **CLAIM**

The ornamental design for a refrigerator, as shown and described.

DESCRIPTION

FIG. 1 is a front perspective view of a refrigerator, showing our new design;
FIG. 2 is a front view thereof;
FIG. 3 is a rear view thereof;
FIG. 4 is a left-side view thereof;
FIG. 5 is a right-side view thereof;
FIG. 6 is a top view thereof;
FIG. 7 is a bottom view thereof; and,
FIG. 8 is a cross-sectional view thereof, taken along line 8-8 in FIG. 2.
The even-dash broken lines depict portions of the Refrigerator that form no part of the claimed design. The dot-dash broken lines represent boundaries of the claimed design and form no part thereof.

1 Claim, 8 Drawing Sheets



(58) **Field of Classification Search**

CPC F25D 2327/001; F25D 2331/81; F25D 23/021; F25D 23/06; F25D 23/066; F25D 23/10; F25D 23/12; F25D 2400/00; F25D 2400/02; F25D 2400/04; F25D 2400/16; F25D 2400/36; F25D 2400/40; F25D 25/022; F25D 25/027; F25D 25/028; F25D 2600/02; F25D 2600/06; F25D 2700/00; F25D 2700/04; F25D 2700/12; F25D 2700/122; F25D 2700/14; F25D 29/005; F25D 31/00; F25D 31/002; F25D 31/005

See application file for complete search history.

(56) **References Cited**

U.S. PATENT DOCUMENTS

D852,236 S * 6/2019 Lee D15/89
D857,765 S * 8/2019 Kim D15/89

D868,850 S * 12/2019 Lee D15/89
D873,311 S * 1/2020 Kim D15/89
D873,871 S * 1/2020 Kim D15/89

FOREIGN PATENT DOCUMENTS

KR 300565658 S 7/2010
KR 300659428 S 9/2012
KR 300676468 S 1/2013

OTHER PUBLICATIONS

Naver Winia Story WDQ57BSMZS. [online]. p. 1 of 1 [retrieved on Jan. 2, 2019]. Retrieved from the Internet: <URL: <https://post.naver.com/viewer/postView.nhn?volumeNo=10226912&memberNo=16229180>>.

* cited by examiner

FIG. 1

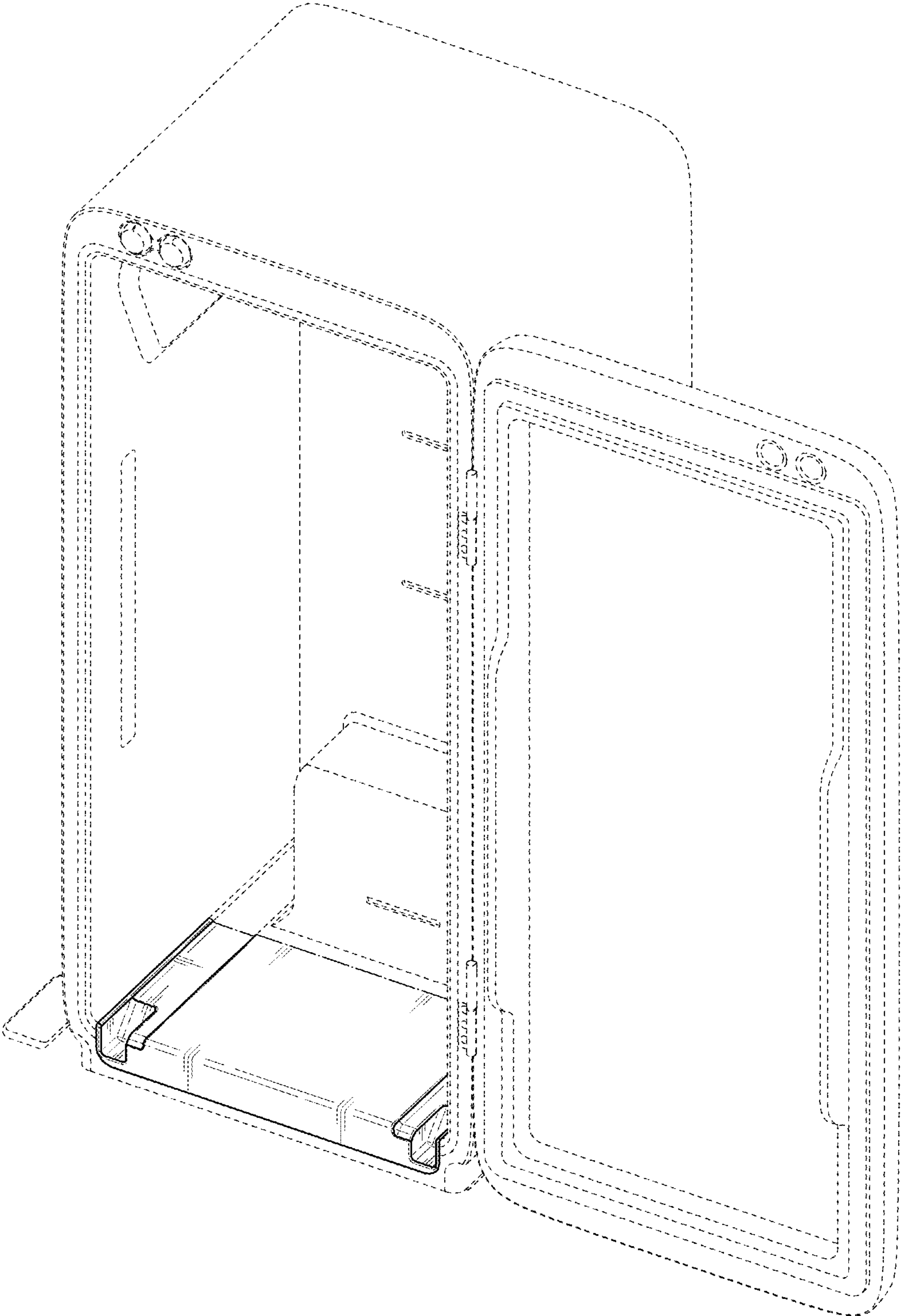


FIG. 2

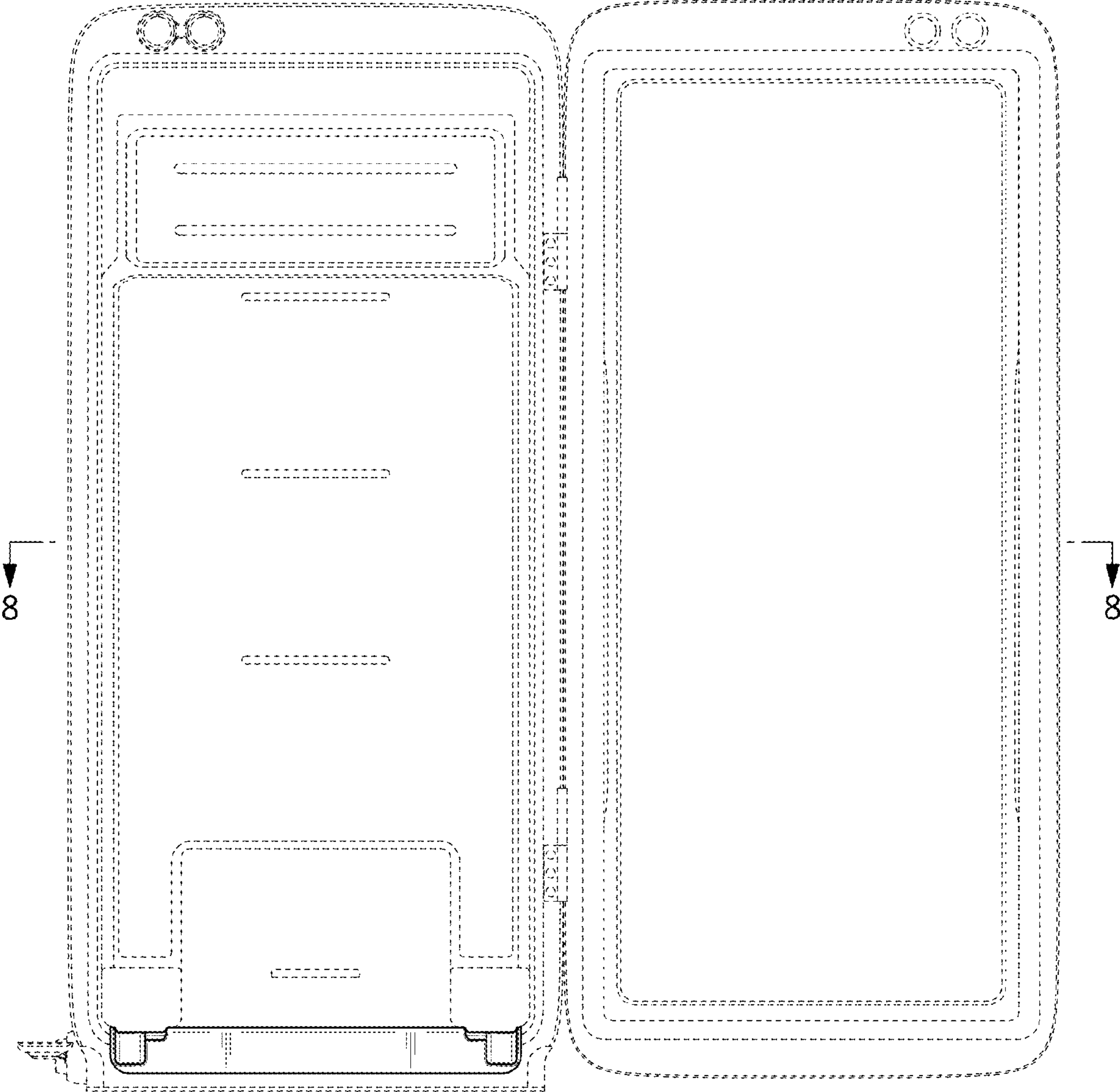


FIG. 3



FIG. 4

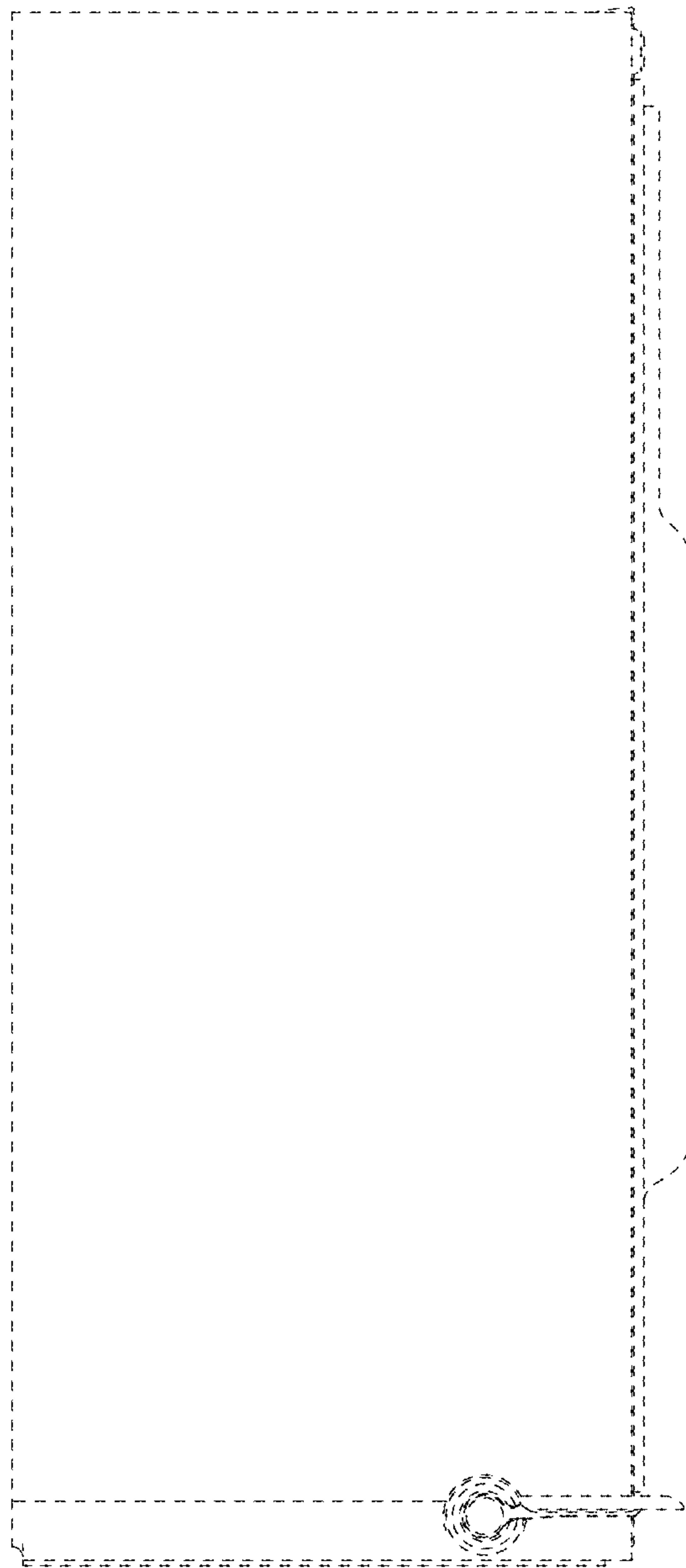


FIG. 5

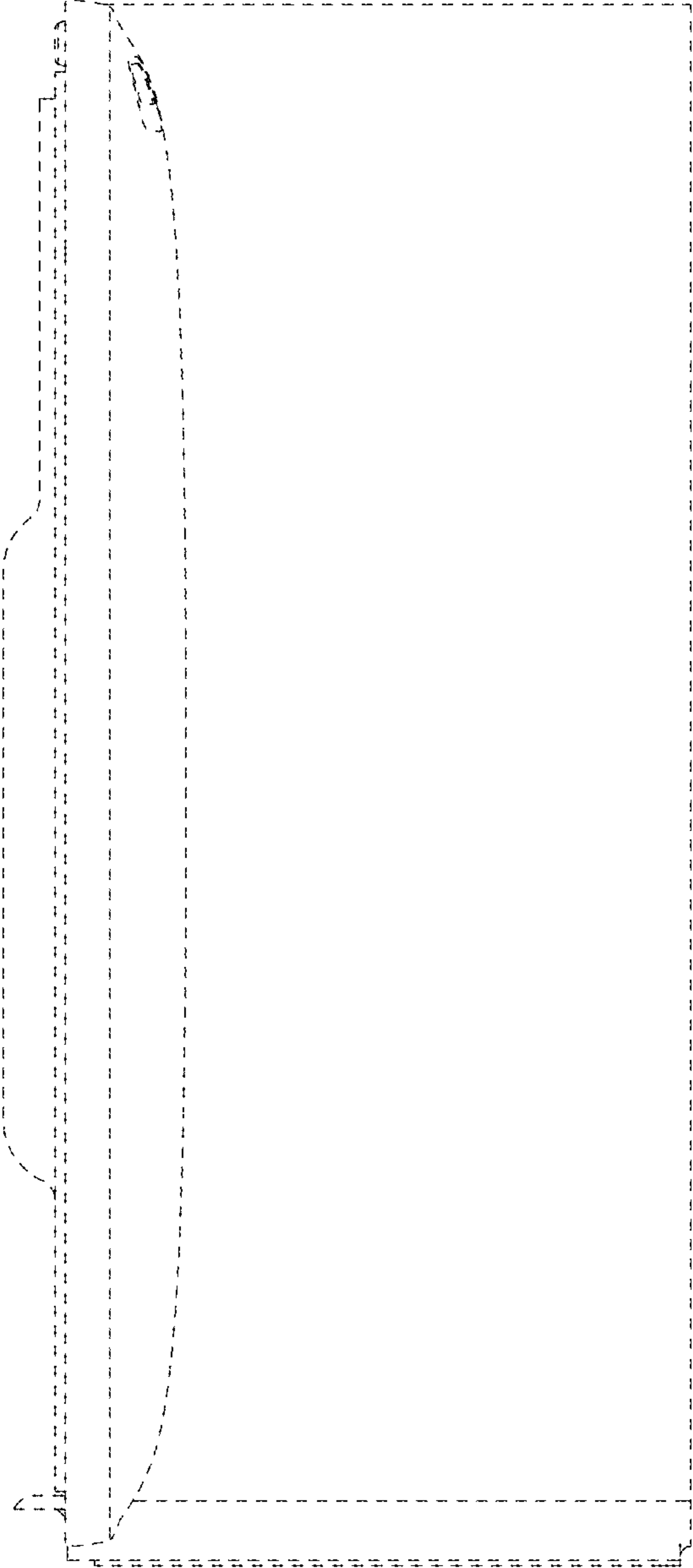


FIG. 6

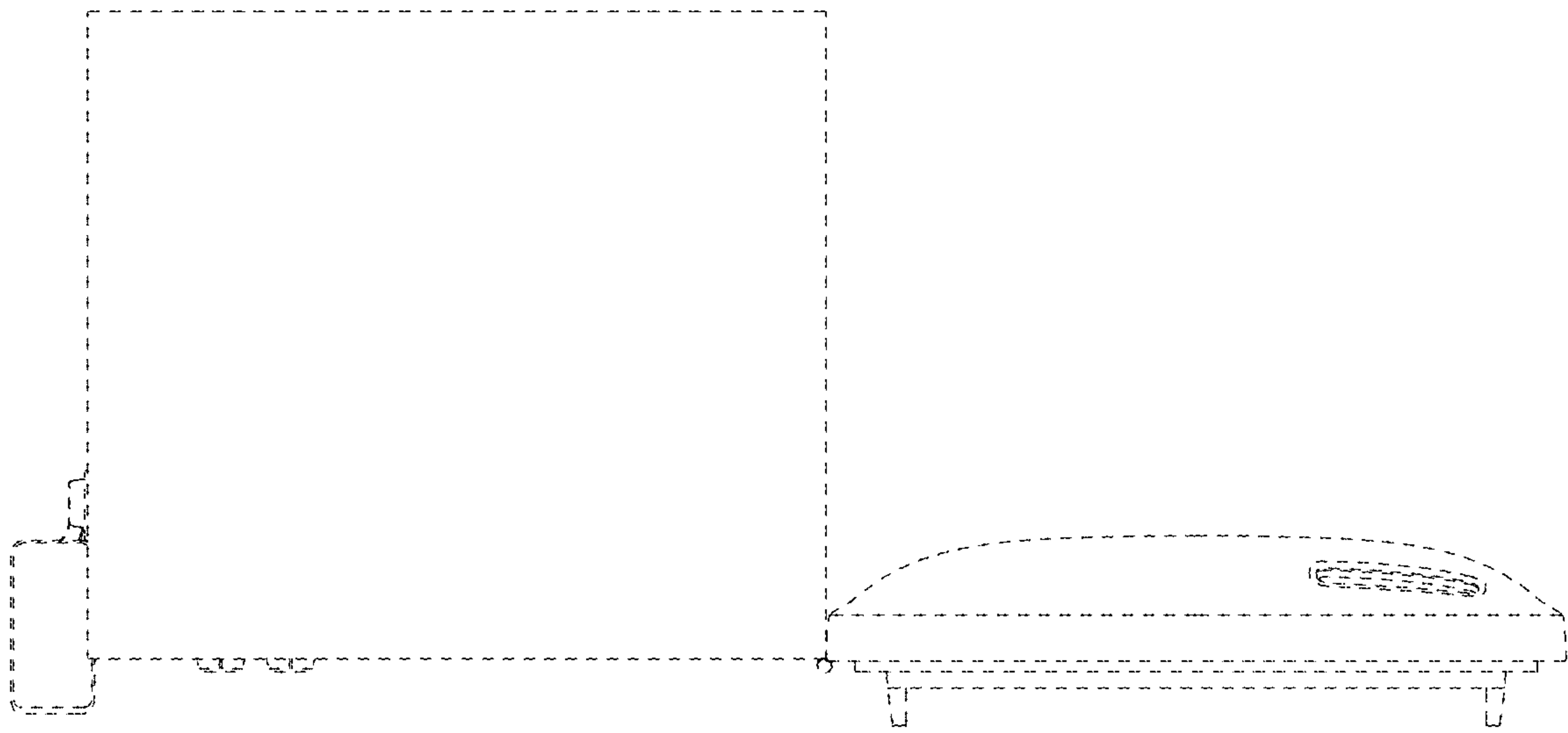


FIG. 7

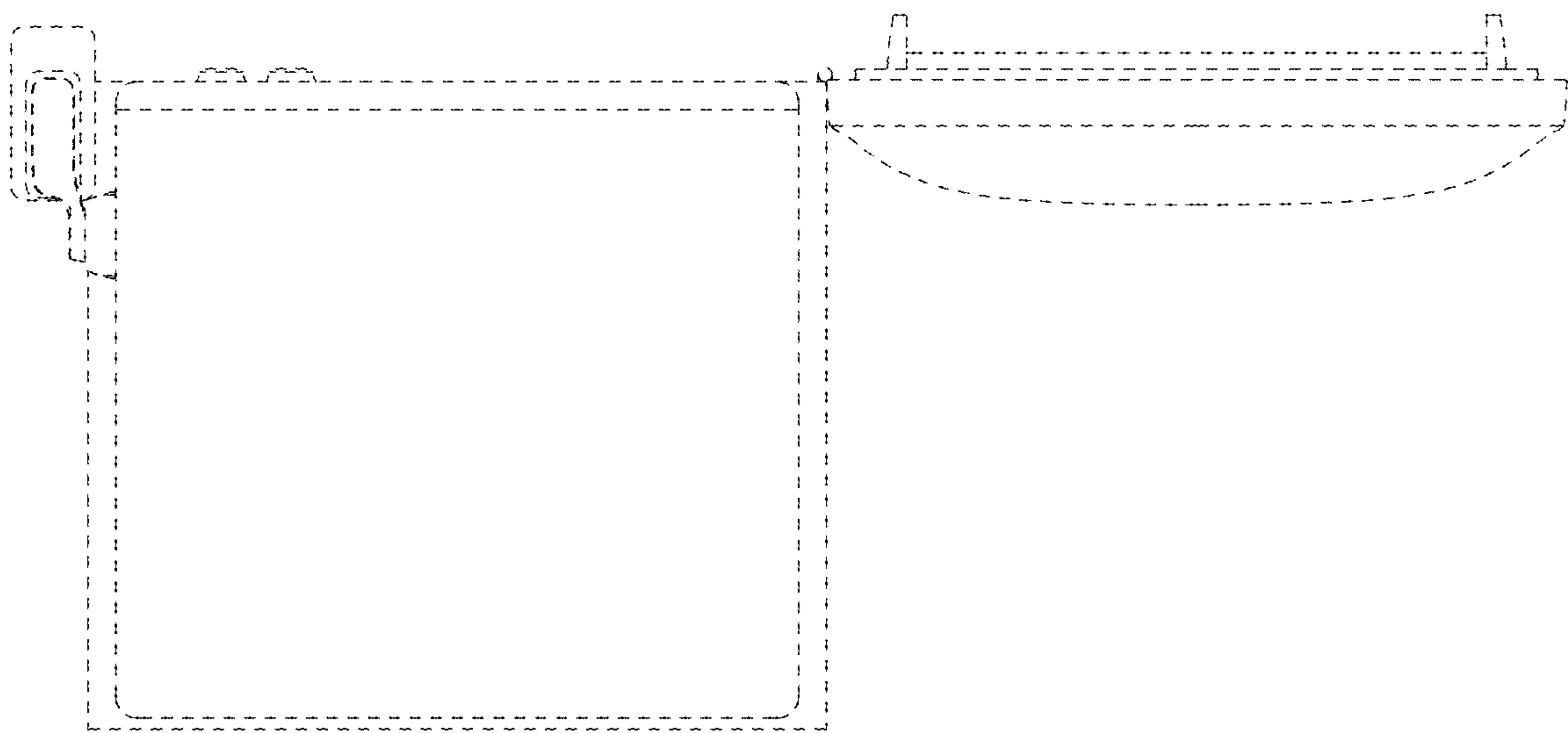


FIG. 8

