



US00D888109S

(12) **United States Design Patent**
Kim et al.

(10) **Patent No.:** **US D888,109 S**
(45) **Date of Patent:** **** Jun. 23, 2020**

(54) **REFRIGERATOR**

(71) Applicant: **SAMSUNG ELECTRONICS CO., LTD.**, Suwon-si, Gyeonggi-do (KR)

(72) Inventors: **Hyunsoo Kim**, Seongnam-si (KR);
Youngmin Park, Seoul (KR)

(73) Assignee: **SAMSUNG ELECTRONICS CO., LTD.**, Gyeonggi-Do (KR)

(**) Term: **15 Years**

(21) Appl. No.: **29/676,067**

(22) Filed: **Jan. 8, 2019**

(30) **Foreign Application Priority Data**

Jul. 9, 2018 (KR) 30-2018-0031537

(51) **LOC (12) Cl.** **15-07**

(52) **U.S. Cl.**
USPC **D15/79**

(58) **Field of Classification Search**
USPC D15/79-91
CPC F25D 17/065; F25D 2317/061; F25D 2323/023; F25D 23/028; F25D 23/126; F25D 11/02; F25D 2201/126; F25D 2201/1262; F25D 2201/14; F25D 2323/021; F25D 23/02; F25D 23/025; F25D 23/04; F25D 23/062; F25D 23/064; F25D 23/065; F25D 23/067; F25D 2400/361; F25D 25/025; F25D 25/04; F25D 29/005; F25D 29/006; F25D 31/005; F25D 3/06

See application file for complete search history.

(56) **References Cited**

U.S. PATENT DOCUMENTS

D618,257 S * 6/2010 Hanamure D15/79
D762,744 S * 8/2016 Tissi D15/81
D776,171 S * 1/2017 Wang D15/88
D807,929 S * 1/2018 Feng D15/81

D826,996 S * 8/2018 Feng D15/91
D829,245 S * 9/2018 Kim D15/88
D829,775 S * 10/2018 Kim D15/81
D847,874 S * 5/2019 Kim D15/81

(Continued)

FOREIGN PATENT DOCUMENTS

CN 303711195 6/2016
CN 303806100 8/2016

(Continued)

OTHER PUBLICATIONS

Nostalgia RRF38SDUK Retro Series 3.8 Cubic-Foot British Refrigerator with Freezer. [online]. Page 1 of 1 [retrieved on Jan. 2, 2019]. Retrieved from the Internet: <URL: <https://www.amazon.com/Nostalgia-RRF38SDRD-3-8-Cubic-Refrigerator-Freezer/dp/B01H742V12>.>

(Continued)

Primary Examiner — Khawaja Anwar
(74) *Attorney, Agent, or Firm* — Cantor Colburn LLP

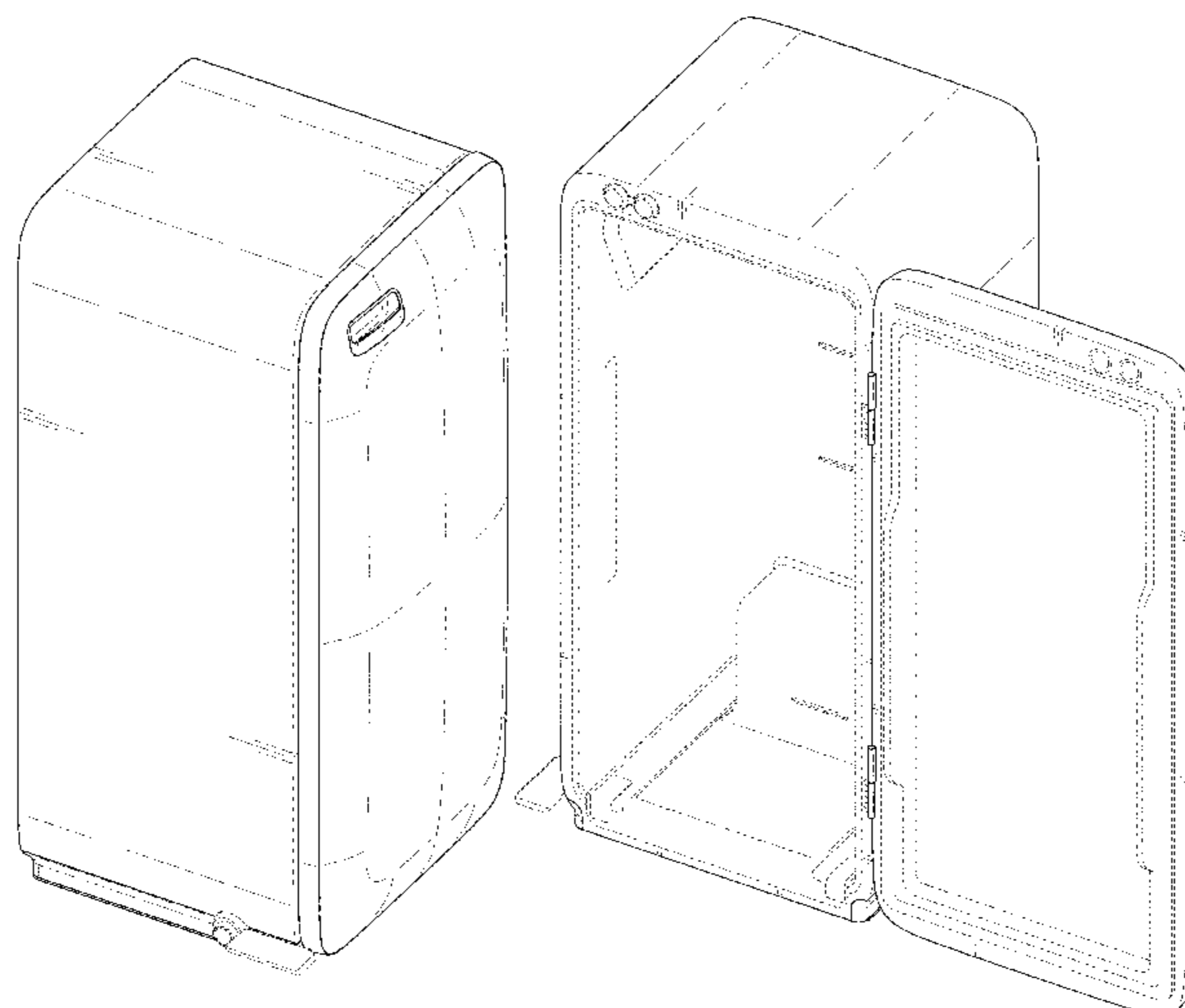
(57) **CLAIM**

The ornamental design for a refrigerator, as shown and described.

DESCRIPTION

FIG. 1 is a left-side front perspective view of a refrigerator, showing our new design;
FIG. 2 is a front view thereof;
FIG. 3 is a rear view thereof;
FIG. 4 is a left-side view thereof;
FIG. 5 is a right-side view thereof;
FIG. 6 is a top view thereof;
FIG. 7 is a bottom view thereof; and,
FIG. 8 is a right-side front perspective view thereof shown in an alternate position in which a door is open.
The broken lines depict portions of the refrigerator that form no part of the claimed design.

1 Claim, 8 Drawing Sheets



(56)

References Cited

U.S. PATENT DOCUMENTS

D852,853 S * 7/2019 Kim D15/81
D853,454 S * 7/2019 Kim D15/81
D867,407 S * 11/2019 Wang D15/79
D867,408 S * 11/2019 Wang D15/79

FOREIGN PATENT DOCUMENTS

EM 003064849-0001 4/2016
KR 300865269 S 7/2016
KR 300866089 S 7/2016

OTHER PUBLICATIONS

Smeg FAB28UBLR 50's Retro Style Aesthetic Refrigerator with Freezer Compartment, Black. [online]. Page 1 of 1 [retrieved on Jan. 2, 2019]. Retrieved from the Internet: <URL: https://www.amazon.com/Smeg-FAB28UBLR-Aesthetic-Refrigerator-Compartment/dp/B008MWYHYI/ref=sr_1_70?s=appliances&ie=UTF8&qid=1525322625&sr=1-70&keywords=smeg>.

* cited by examiner

FIG. 1

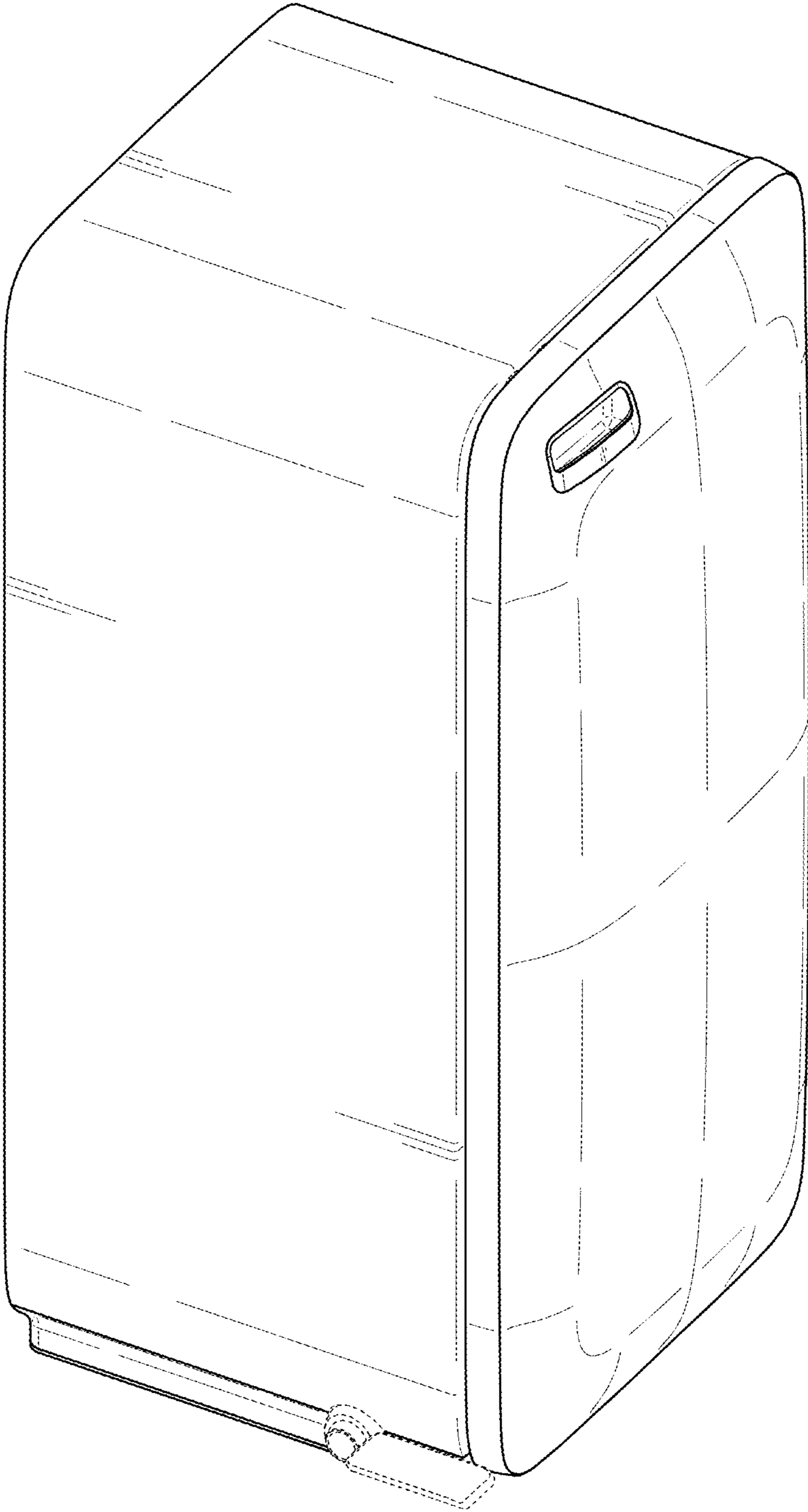


FIG. 2

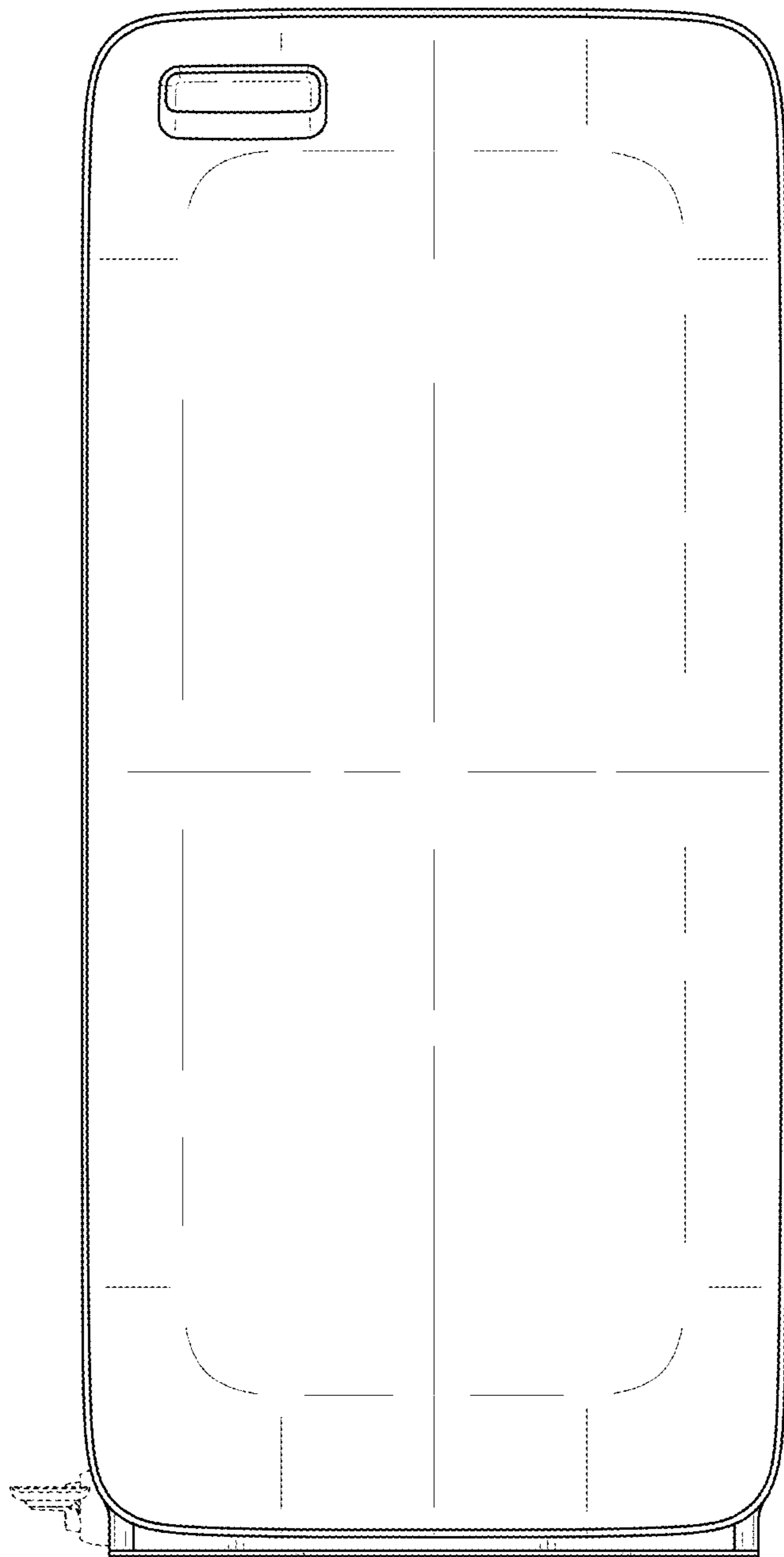


FIG. 3

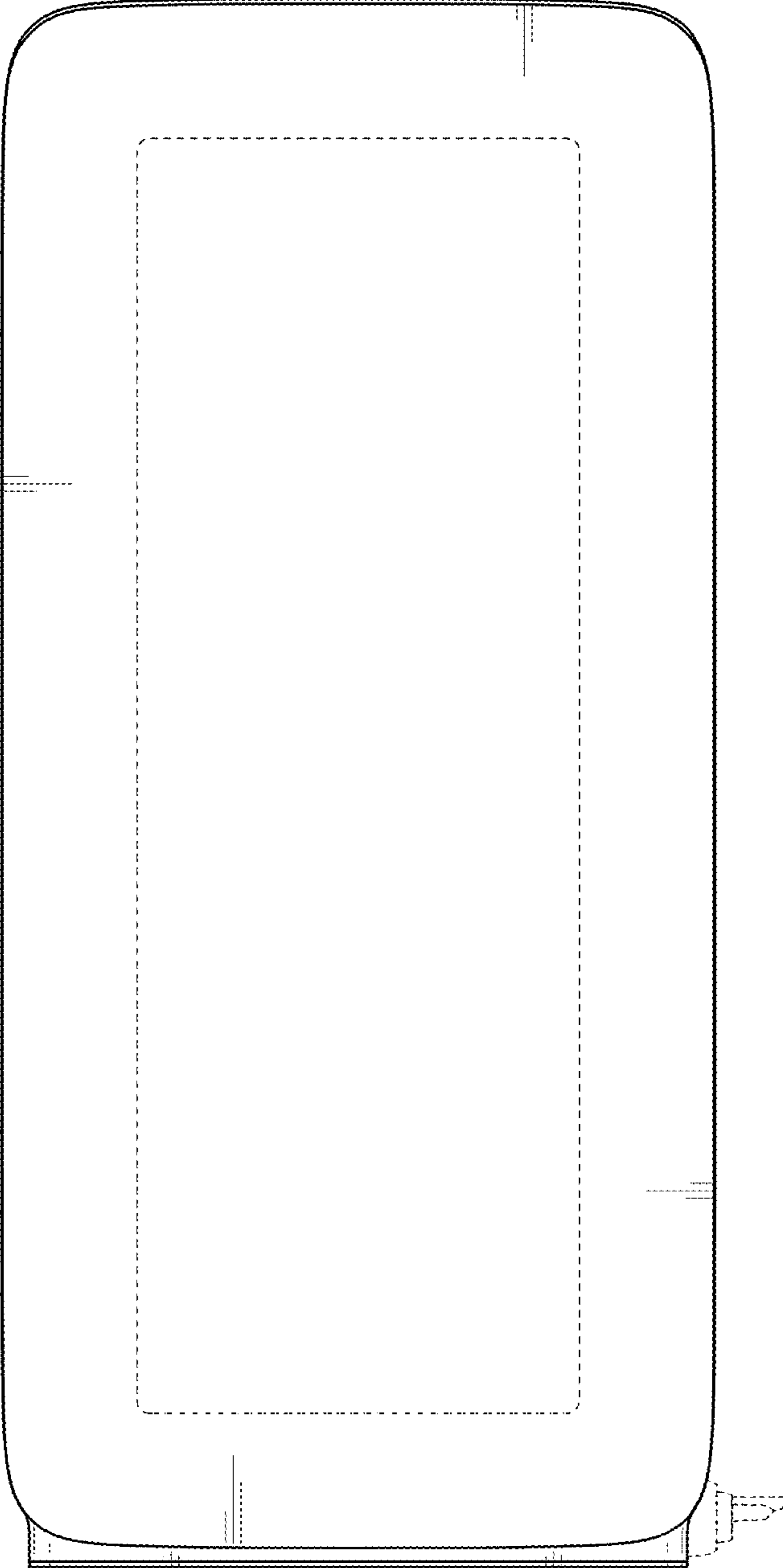


FIG. 4

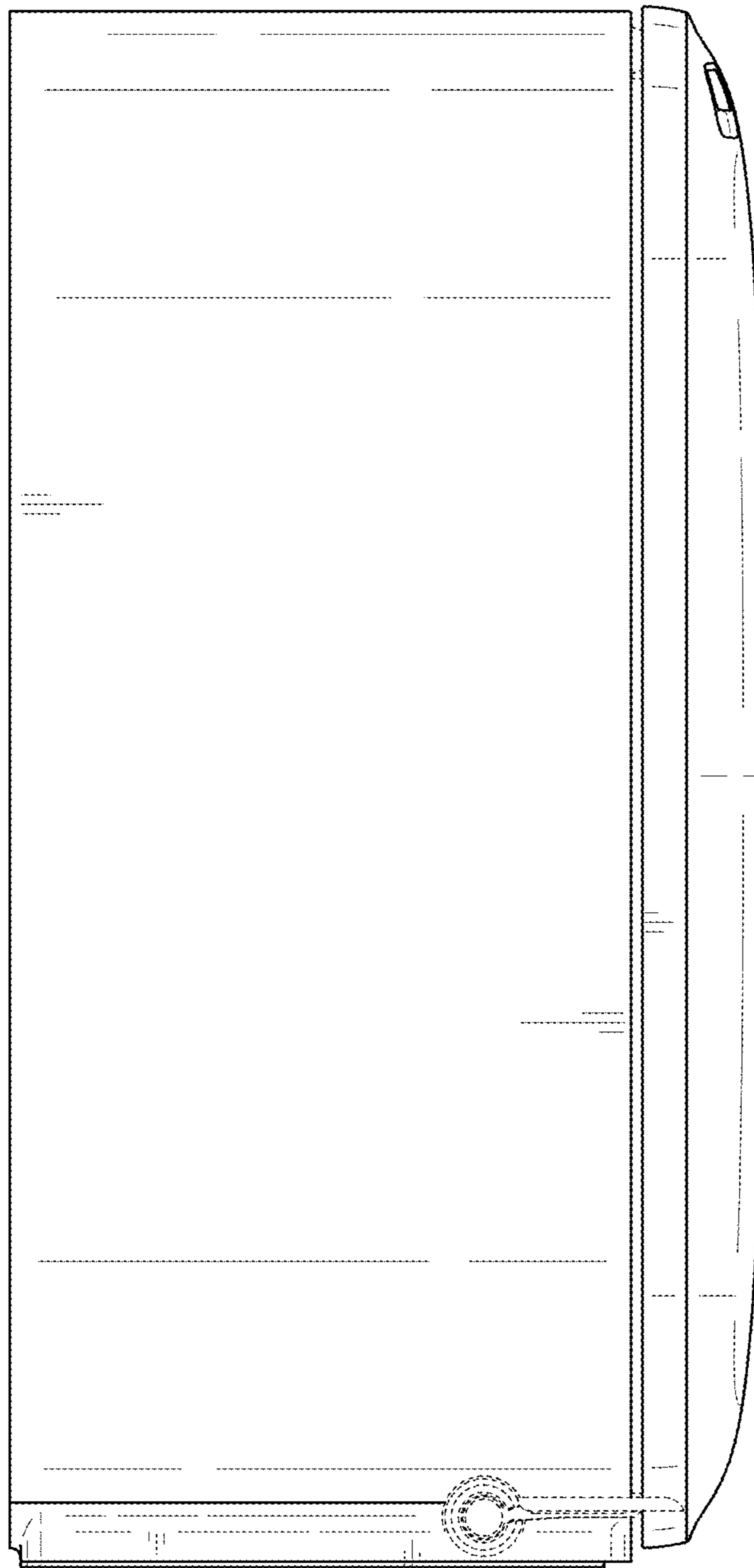


FIG. 5

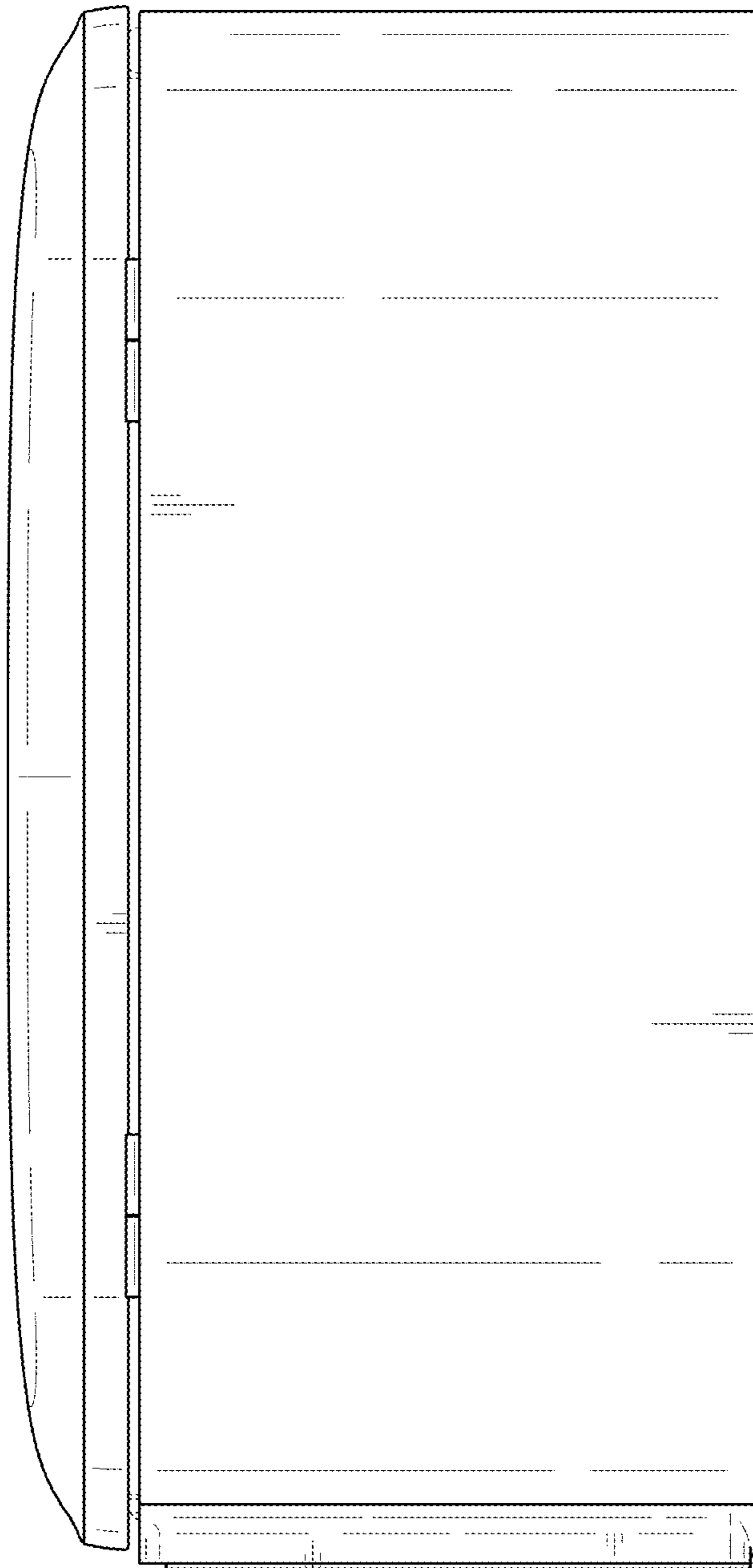


FIG. 6

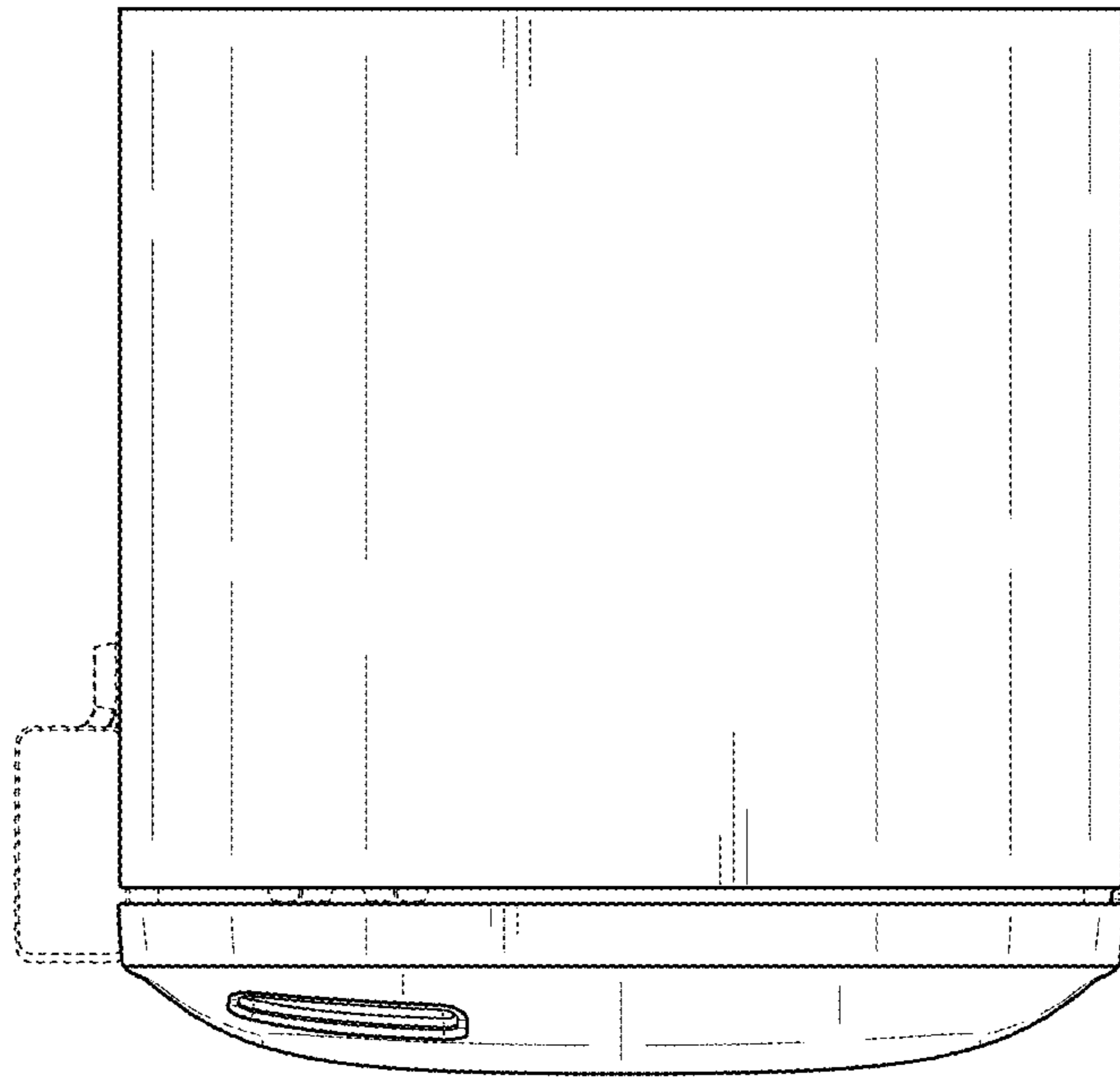


FIG. 7

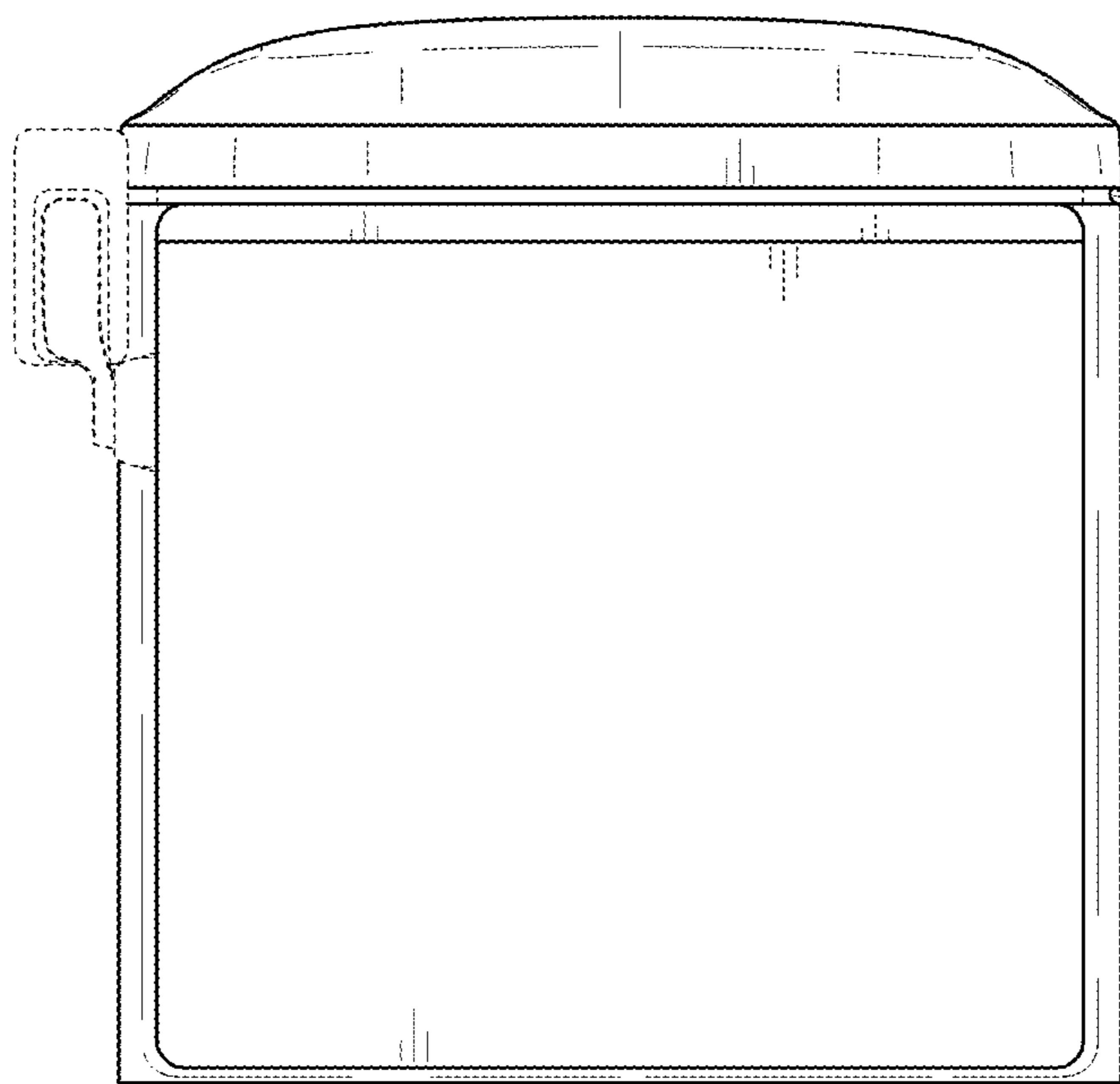


FIG. 8

