



US00D888108S

(12) **United States Design Patent**
Loggan

(10) **Patent No.:** **US D888,108 S**
(45) **Date of Patent:** **** Jun. 23, 2020**

- (54) **COMBINE HARVESTER**
- (71) Applicant: **AGCO Corporation**, Hesston, KS (US)
- (72) Inventor: **Aaron Loggan**, Hesston, KS (US)
- (73) Assignee: **AGCO Corporation**, Duluth, GA (US)
- (**) Term: **15 Years**

D639,826 S *	6/2011	Barrelmeyer	D15/26
D760,809 S *	7/2016	Nicholson	D15/13
D838,295 S *	1/2019	Schwalbe	D15/26
D855,661 S *	8/2019	Krohn	D15/26

* cited by examiner

Primary Examiner — Mark A Goodwin
Assistant Examiner — Benjamin M Weeks

- (21) Appl. No.: **29/600,605**
- (22) Filed: **Apr. 13, 2017**

Related U.S. Application Data

- (63) Continuation of application No. 29/598,168, filed on Mar. 23, 2017, now abandoned.
- (51) **LOC (12) Cl.** **15-03**
- (52) **U.S. Cl.**
USPC **D15/33**; D15/26
- (58) **Field of Classification Search**
USPC D15/10–33
CPC E02F 3/40; E02F 3/30; E02F 3/32; A01F 15/046
See application file for complete search history.

(56) **References Cited**

U.S. PATENT DOCUMENTS

3,384,232 A *	5/1968	Turnbull	A01D 41/12 209/11
5,904,365 A *	5/1999	Dillon	B62D 59/02 180/14.1

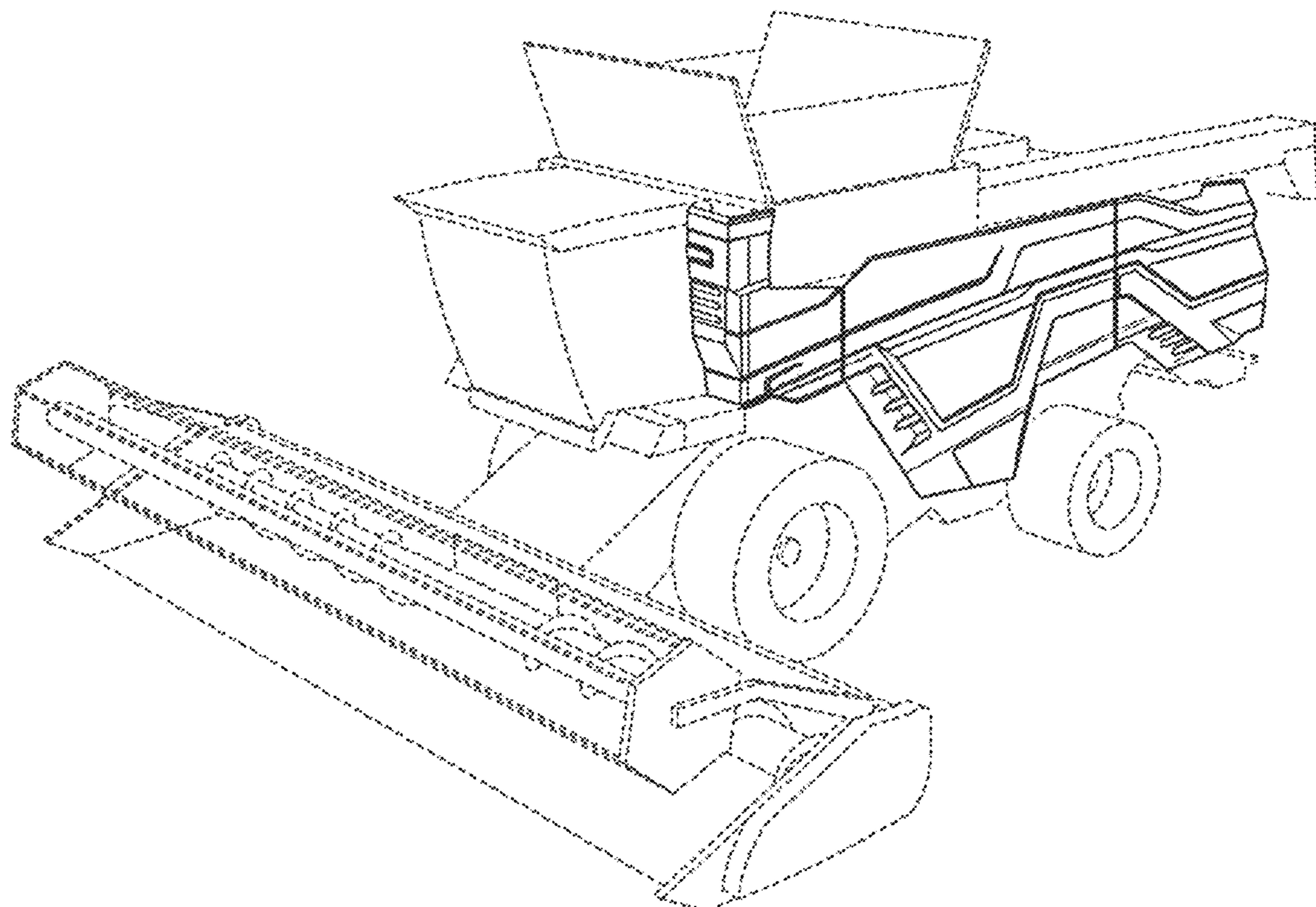
(57) **CLAIM**

The ornamental design for a combine harvester, as shown and described.

DESCRIPTION

FIG. 1 is a front, right perspective view of a combine harvester showing the new design;
 FIG. 2 is a front, left perspective view of a combine harvester showing the new design;
 FIG. 3 is a right side view of the combine harvester;
 FIG. 4 is a left side view of the combine harvester;
 FIG. 5 is a front view of the combine harvester;
 FIG. 6 is a rear view of the combine harvester; and,
 FIG. 7 is a top view of the combine harvester.
 The broken line showing of the top and bottom portions of a combine harvester is included for the purpose of illustrating environmental structure and forms no part of the claimed design.

1 Claim, 7 Drawing Sheets



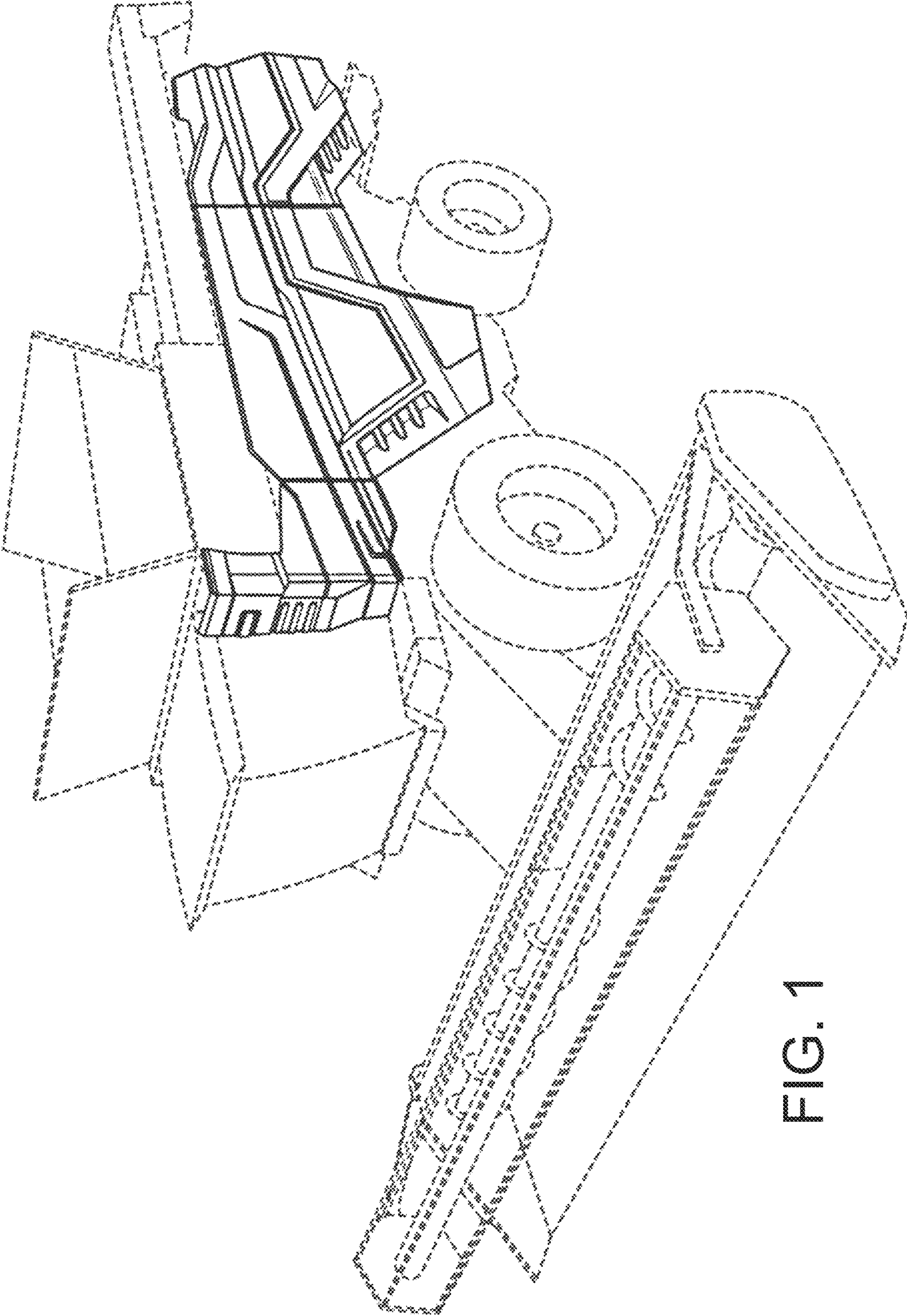


FIG. 1

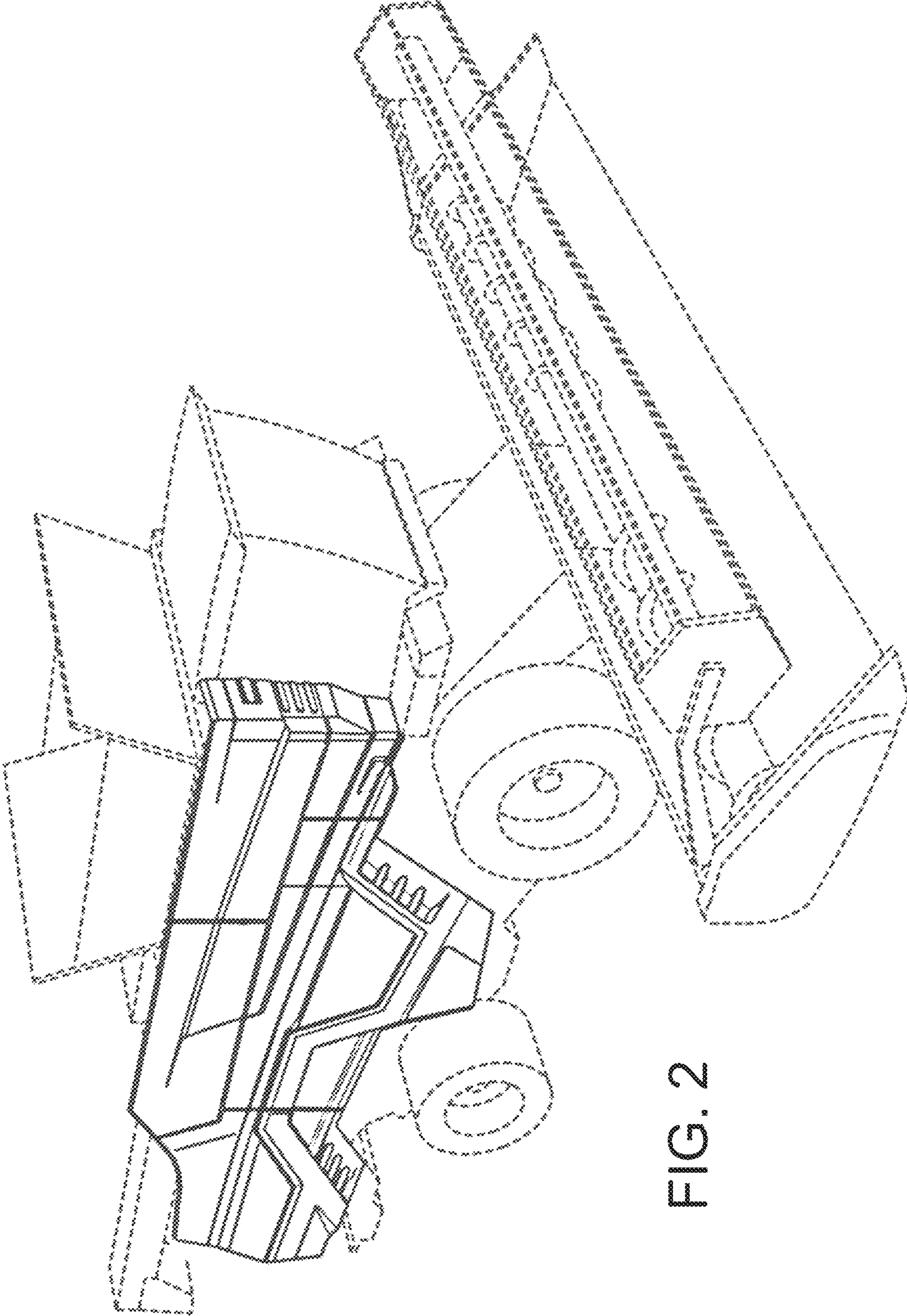


FIG. 2

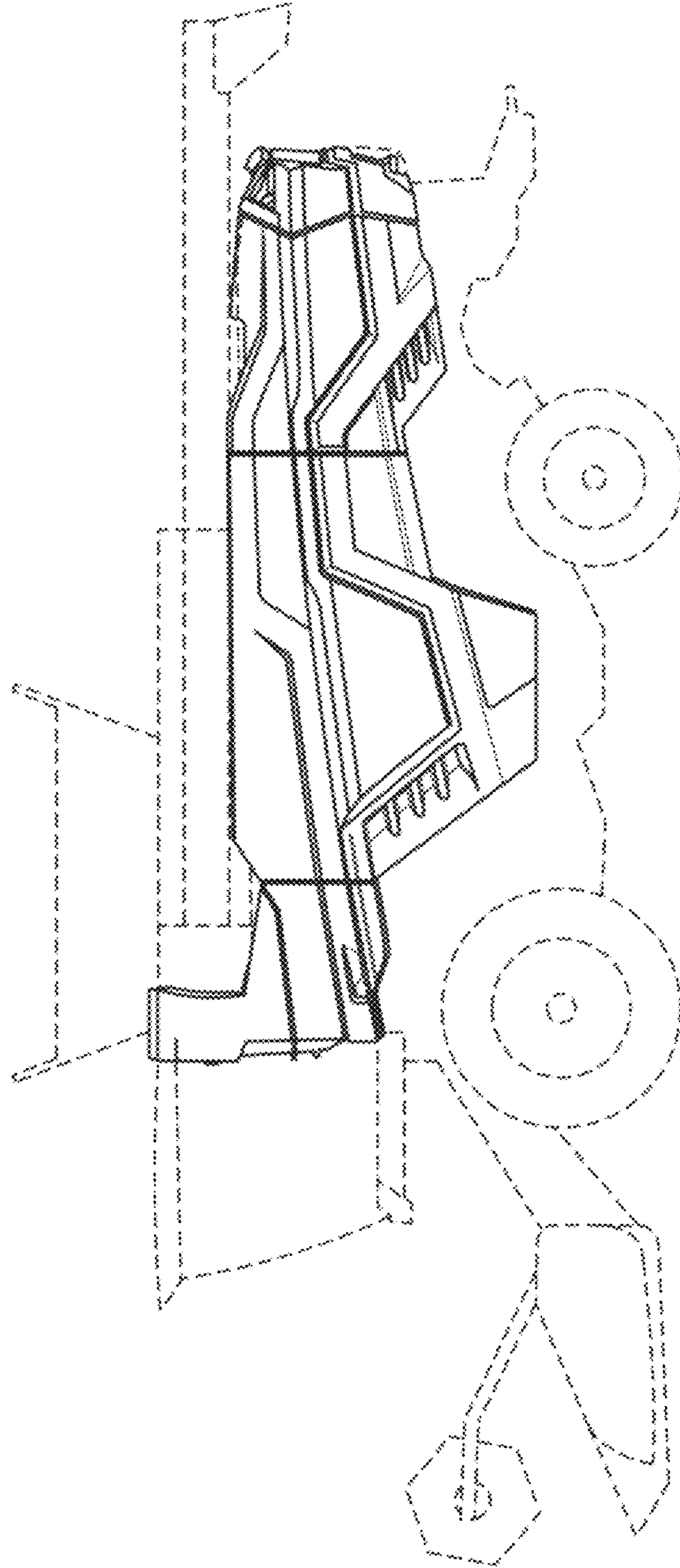


FIG. 3

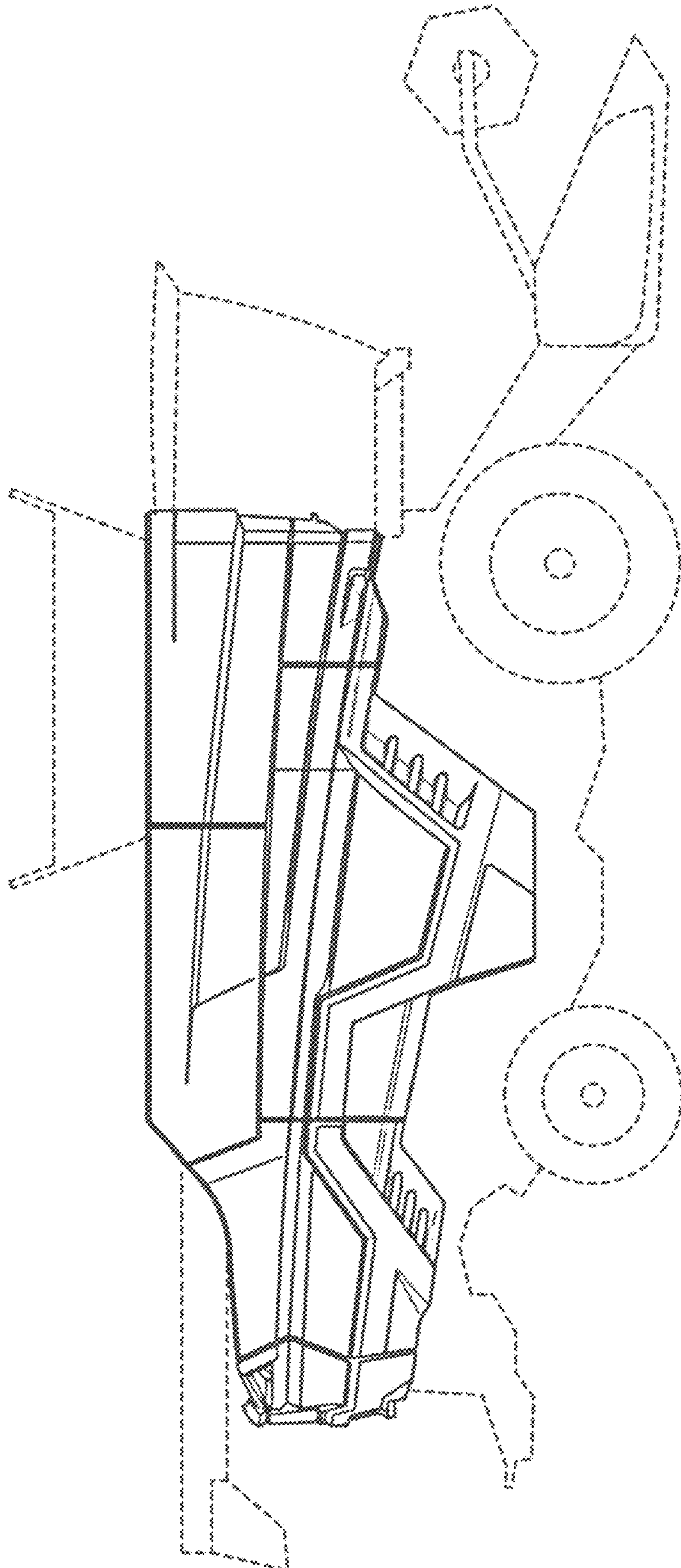


FIG. 4

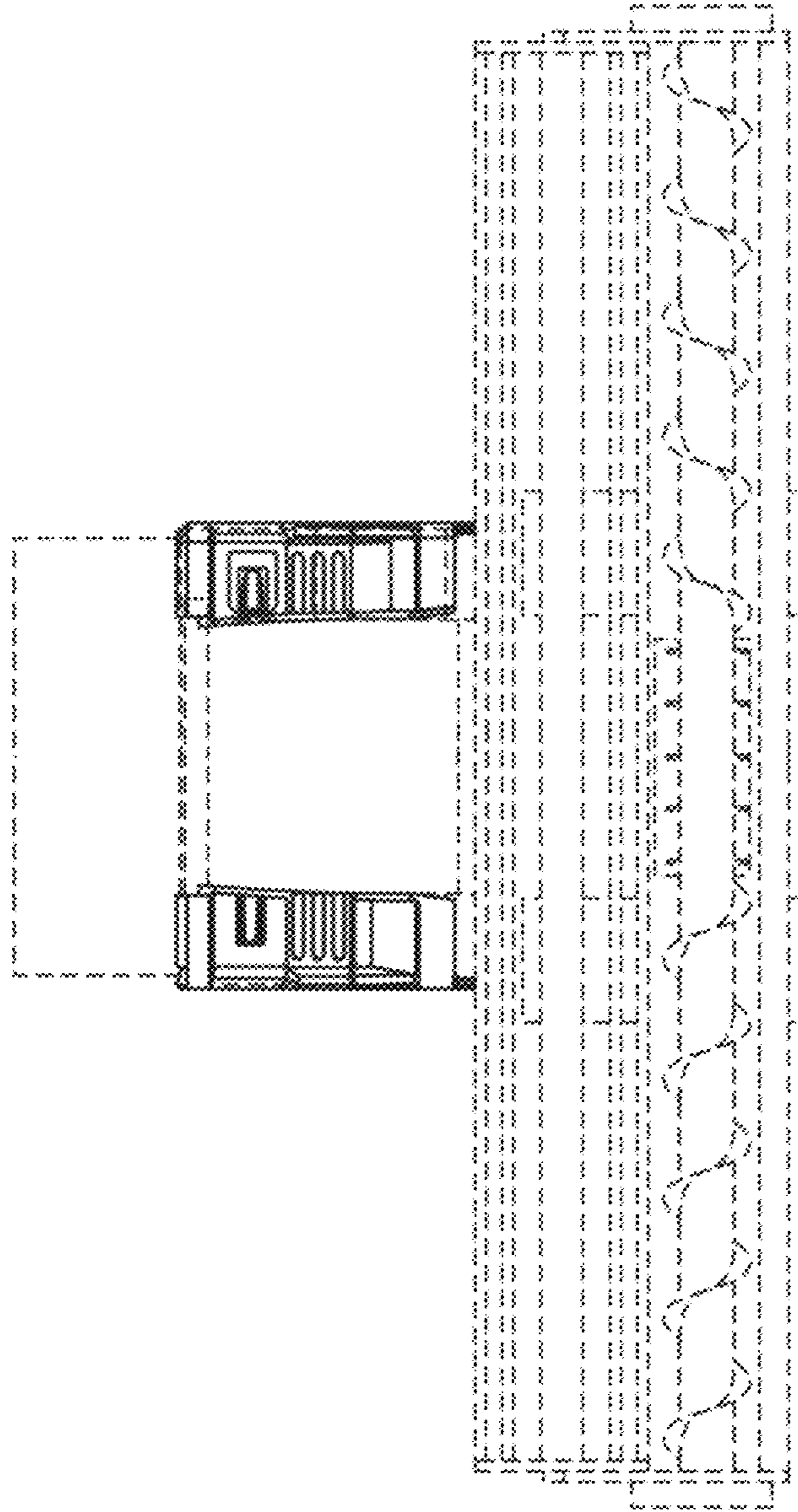


FIG. 5

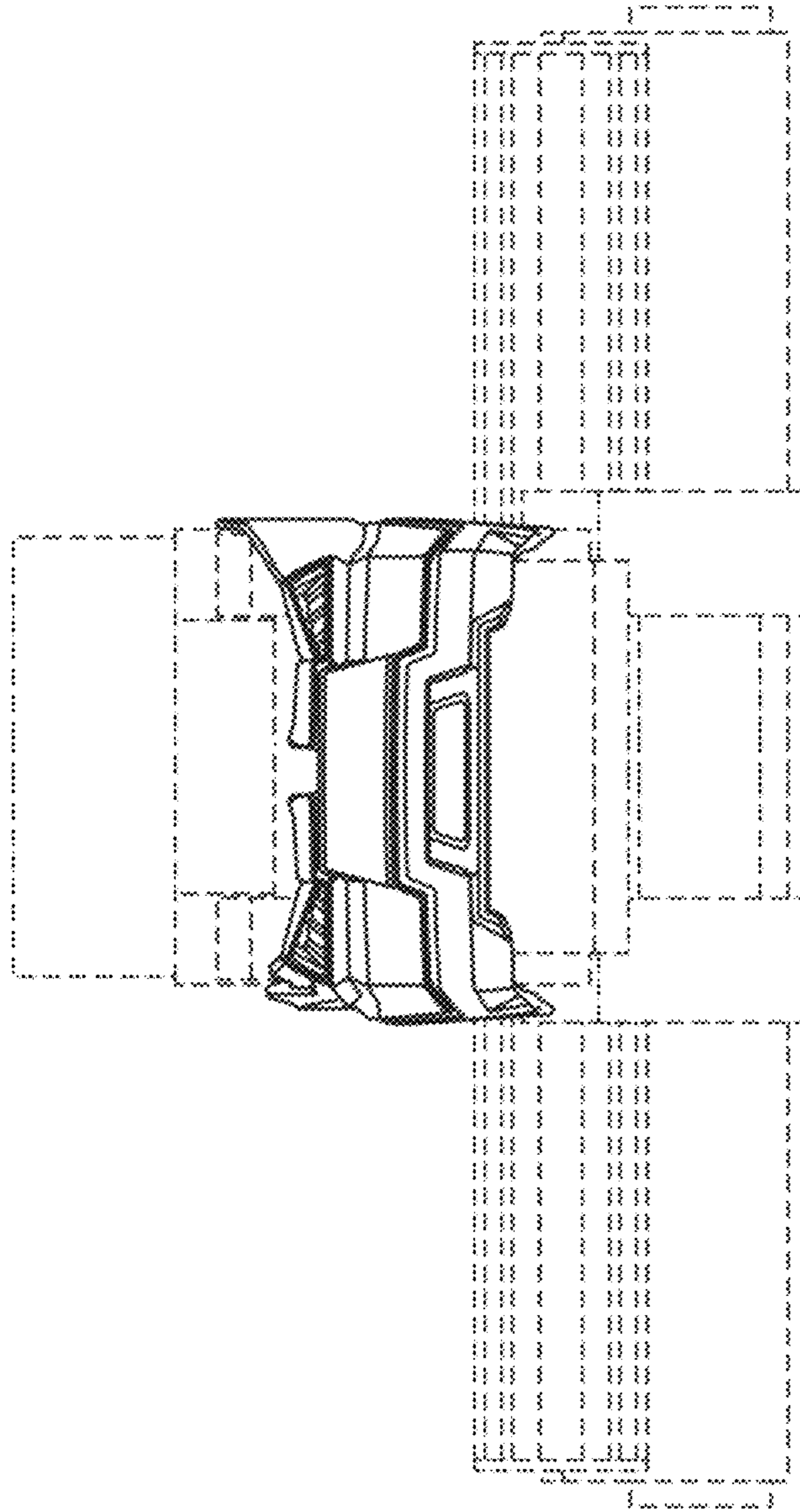


FIG. 6

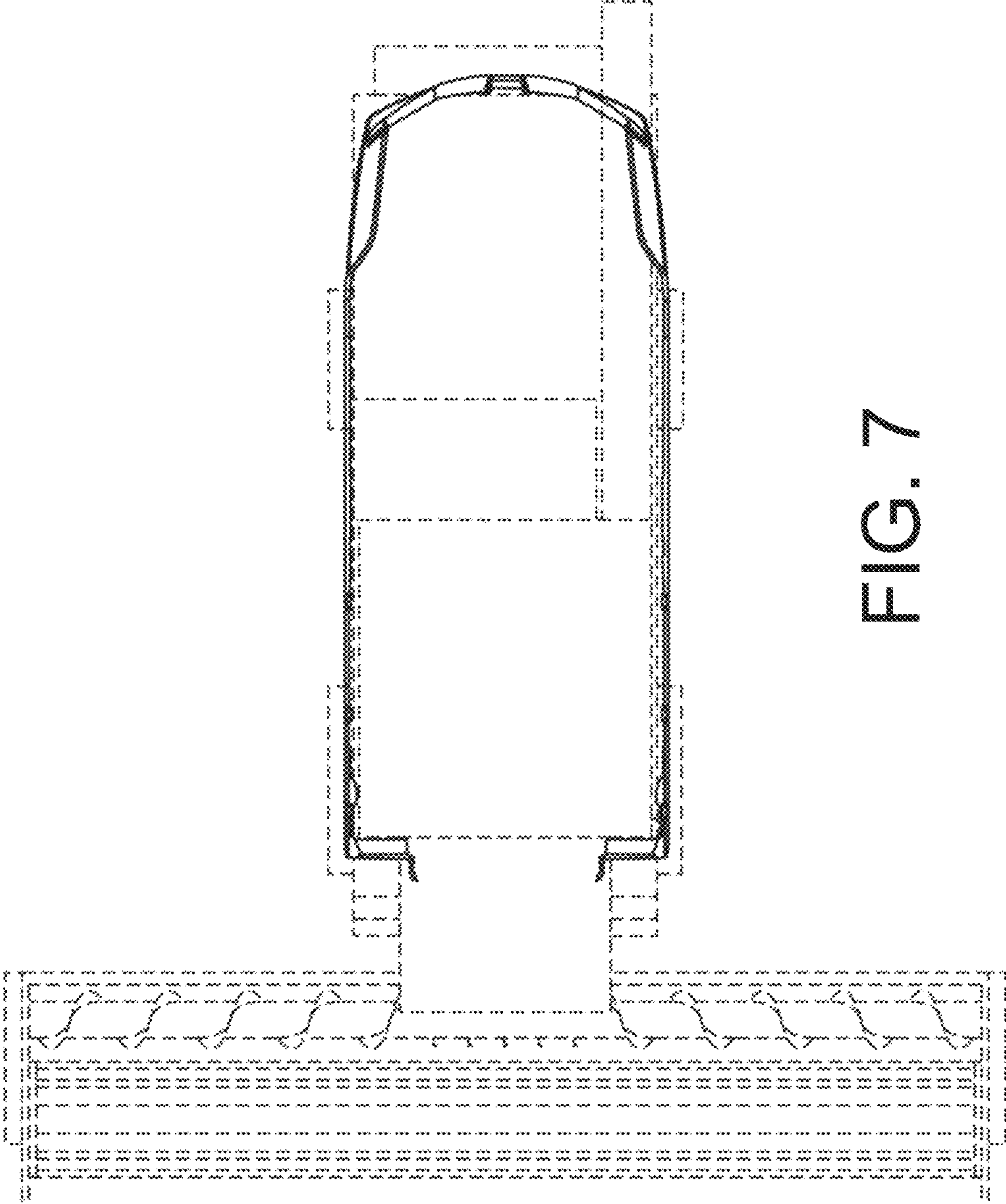


FIG. 7