



US00D888107S

(12) **United States Design Patent**
Pederson

(10) **Patent No.:** **US D888,107 S**
(45) **Date of Patent:** **** Jun. 23, 2020**

(54) **SUSPENSION UNIT FOR AGRICULTURAL MOWER UNIT**

(71) Applicant: **Kverneland Group Kerteminde A/S**,
Kerteminde (DK)

(72) Inventor: **Peder Pederson**, Ørbæk (DK)

(73) Assignee: **KVERNELAND GROUP**
KERTEMINDE AS, Kerteminde (DK)

(**) Term: **15 Years**

(21) Appl. No.: **29/674,533**

(22) Filed: **Dec. 21, 2018**

(30) **Foreign Application Priority Data**

Jun. 22, 2018 (EM) 005321908

(51) **LOC (12) Cl.** **15-03**

(52) **U.S. Cl.**
USPC **D15/28**

(58) **Field of Classification Search**
USPC D15/10, 11, 13, 14, 15, 16, 17, 19, 21,
D15/28

CPC A01B 73/02; A01B 73/04; A01D 41/144
See application file for complete search history.

(56) **References Cited**

U.S. PATENT DOCUMENTS

D362,447 S * 9/1995 Lamb D15/15
D392,981 S * 3/1998 Smith D15/15
D440,982 S * 4/2001 Knight D15/23
D568,341 S * 5/2008 Vaughn D15/11
D656,965 S * 4/2012 Ortlund D15/15

D681,686 S * 5/2013 Higashikawa D15/17
D693,851 S * 11/2013 Fujiwara D15/11
D706,313 S * 6/2014 Higashikawa D15/17
D722,620 S * 2/2015 Phillips D15/17
D737,335 S * 8/2015 Cmich D15/11
D829,772 S * 10/2018 Blenkush D15/13
D853,449 S * 7/2019 Mehra D15/14
D874,523 S * 2/2020 Vang D15/19
D876,487 S * 2/2020 Kim D15/14

* cited by examiner

Primary Examiner — Mark A Goodwin

Assistant Examiner — Benjamin M Weeks

(74) *Attorney, Agent, or Firm* — Knobbe, Martens, Olson & Bear, LLP

(57) **CLAIM**

The ornamental design for a suspension unit for agricultural mower unit, as shown and described.

DESCRIPTION

FIG. 1 is an upper, left, front perspective view of a suspension unit for agricultural mower unit, showing my new design;

FIG. 2 is an upper, left, rear perspective view thereof;

FIG. 3 is a front elevational view thereof;

FIG. 4 is a rear elevational view thereof;

FIG. 5 is a left side elevational view thereof;

FIG. 6 is a right side elevational view thereof;

FIG. 7 is a top plan view thereof; and,

FIG. 8 is a bottom plan view thereof.

The broken lines in the figures depict environmental features that form no part of the claimed design.

1 Claim, 8 Drawing Sheets

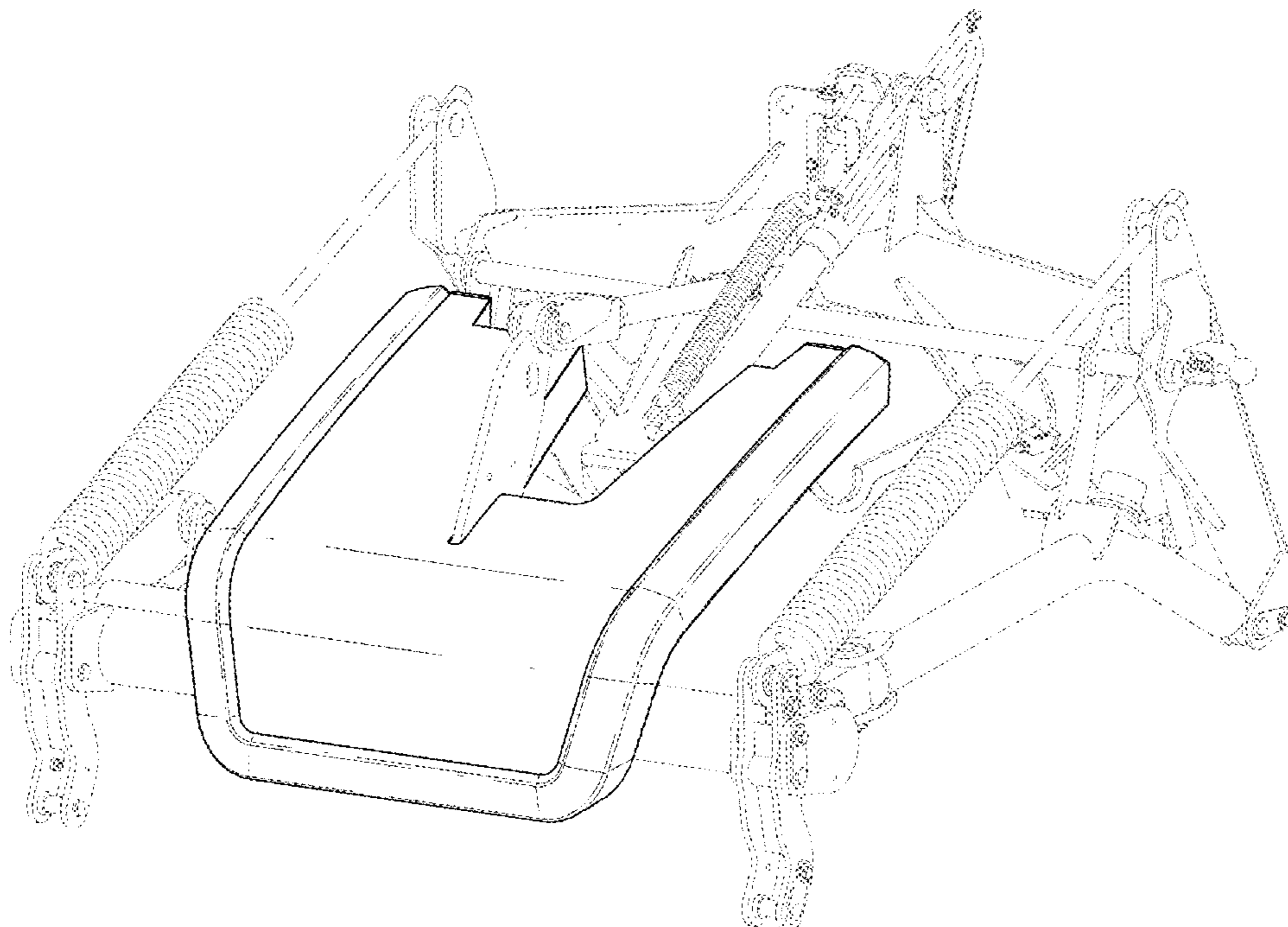
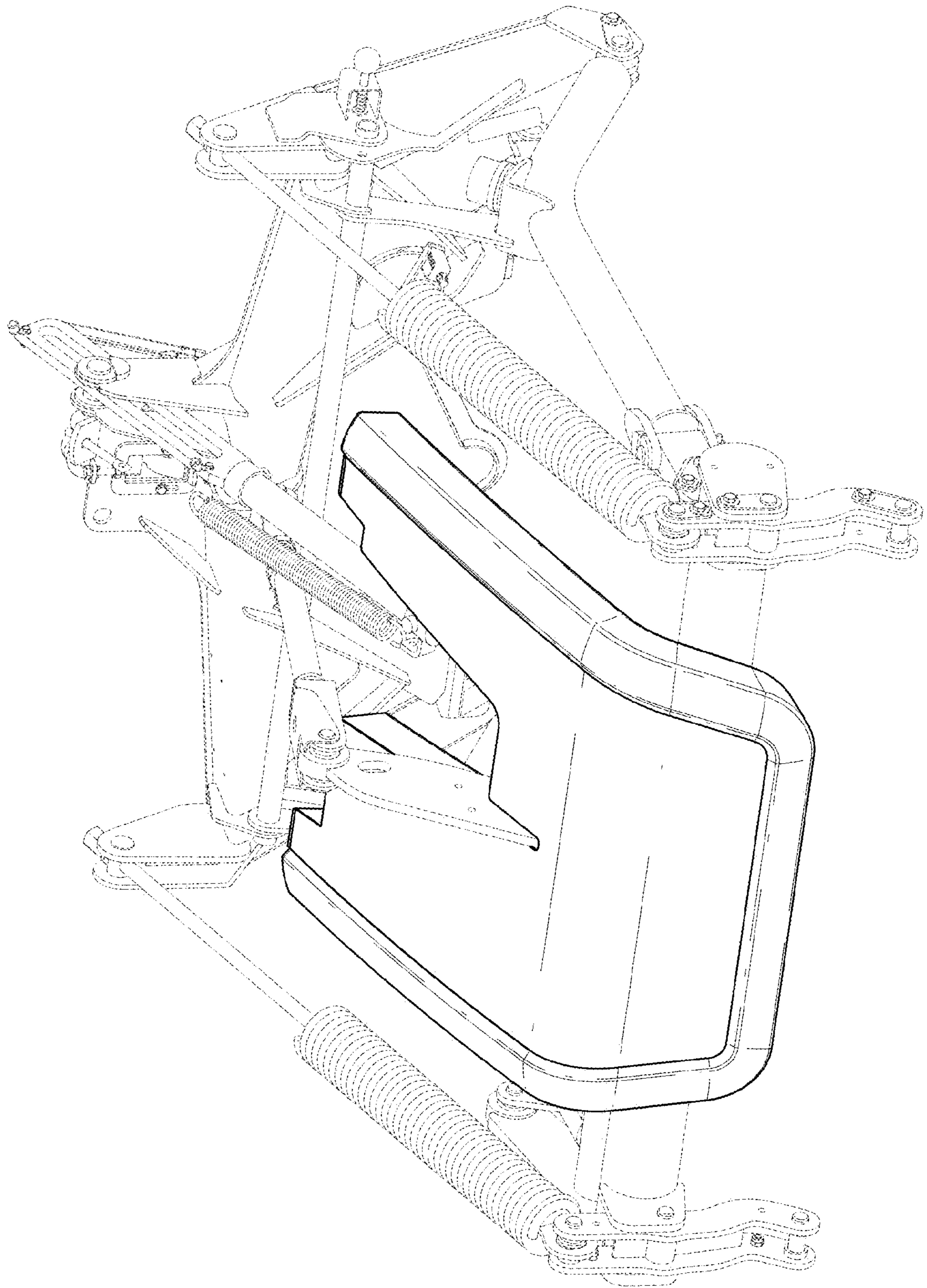


FIG. 1



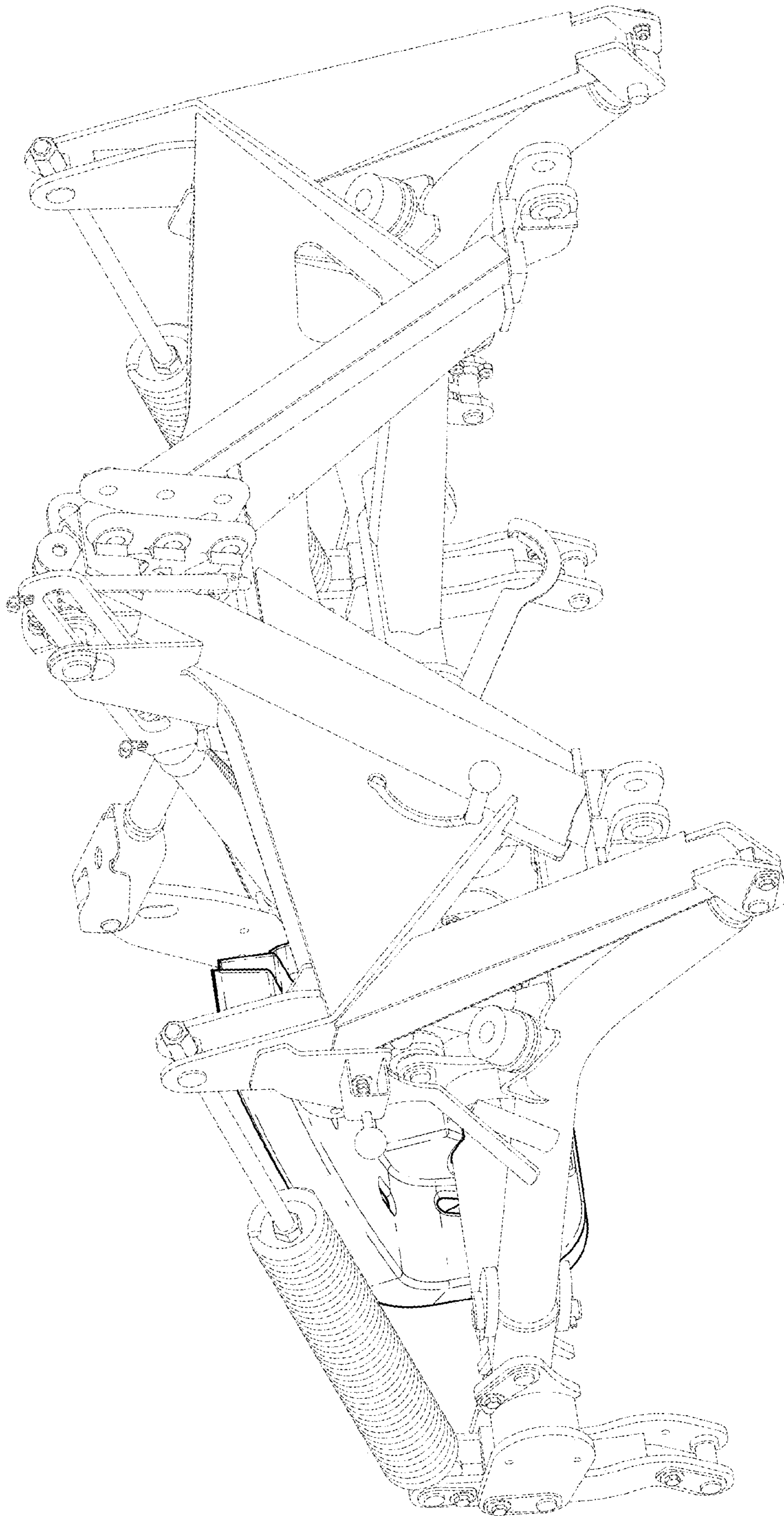


FIG. 2

FIG. 3

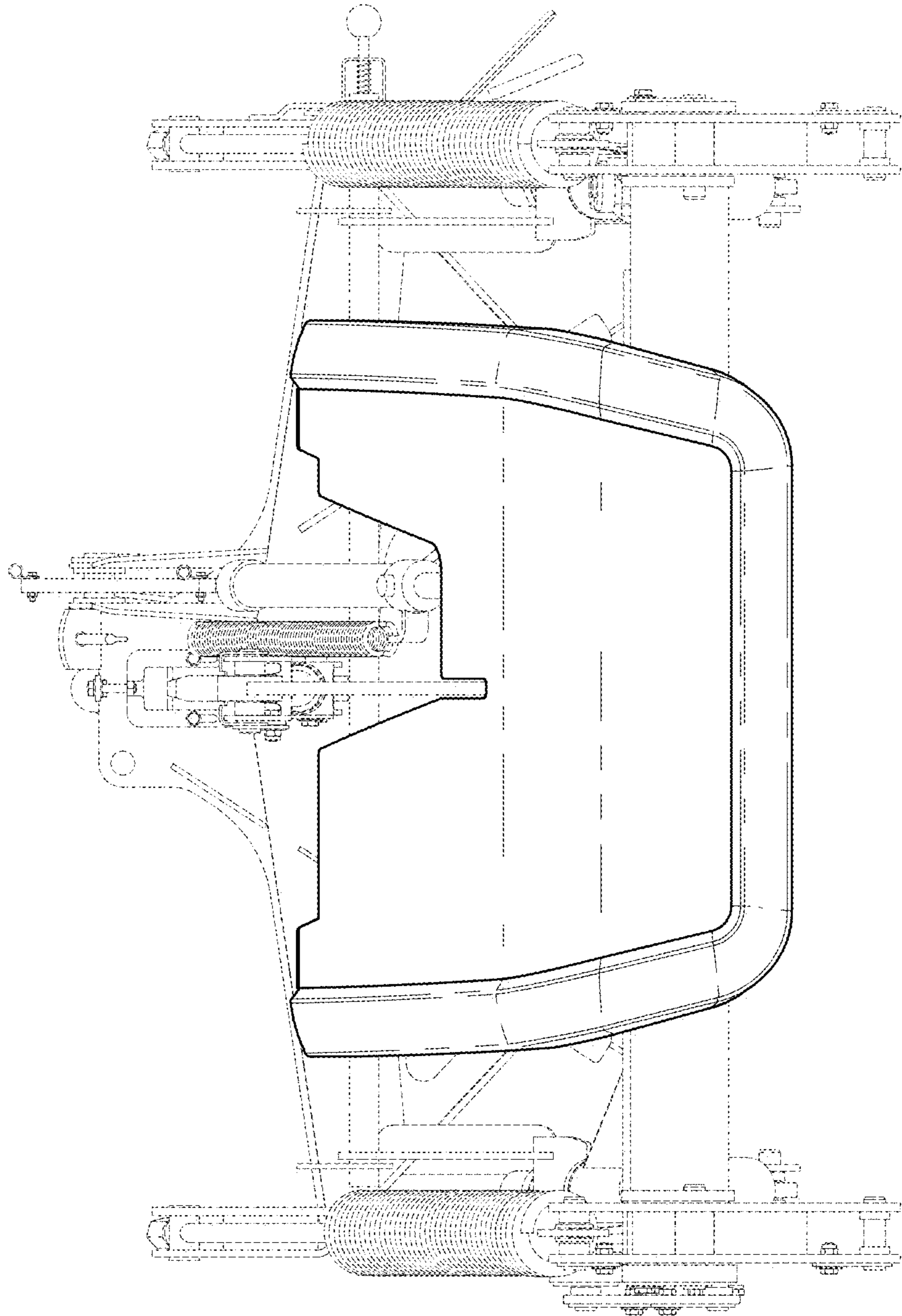


FIG. 4

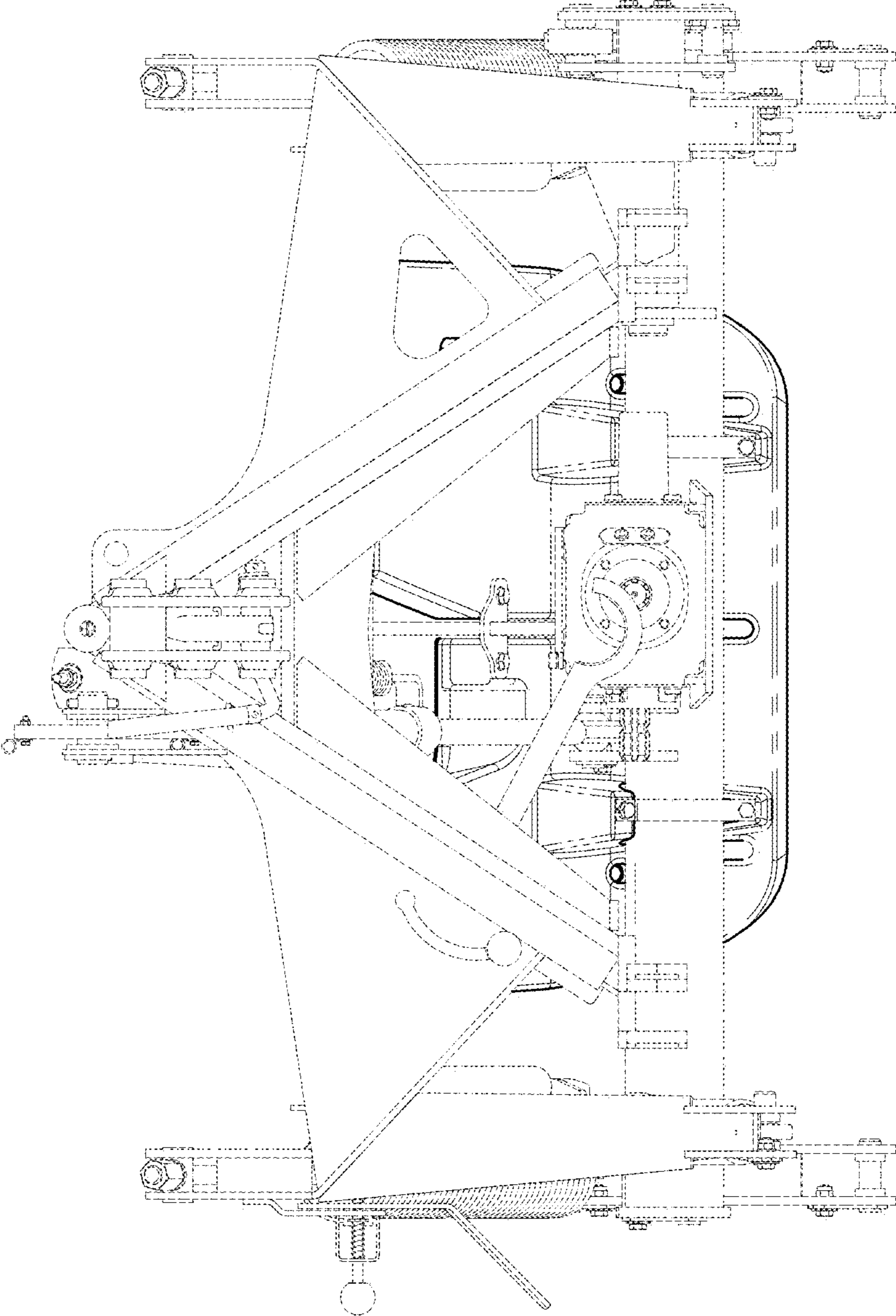


FIG. 5

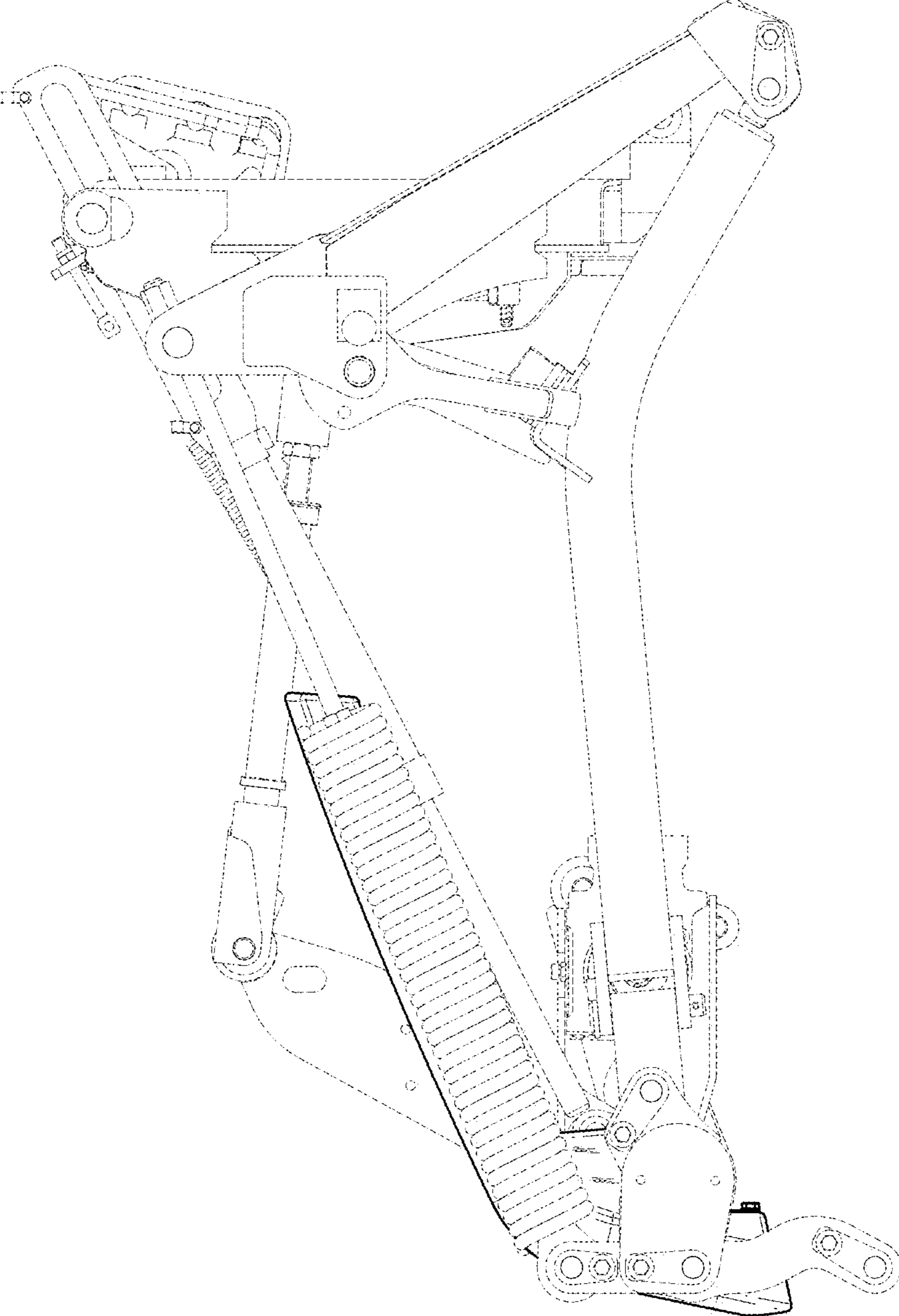
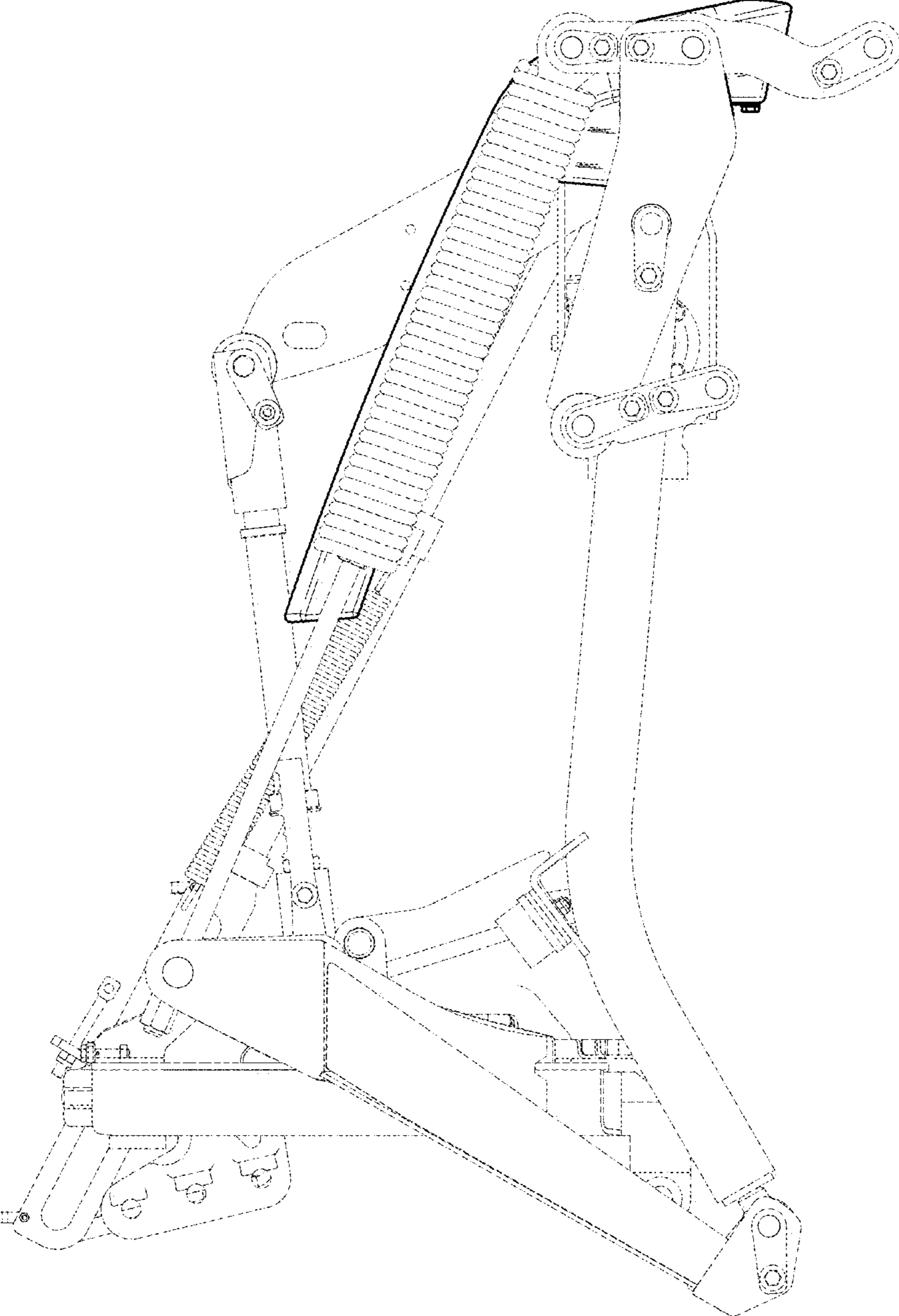


FIG. 6



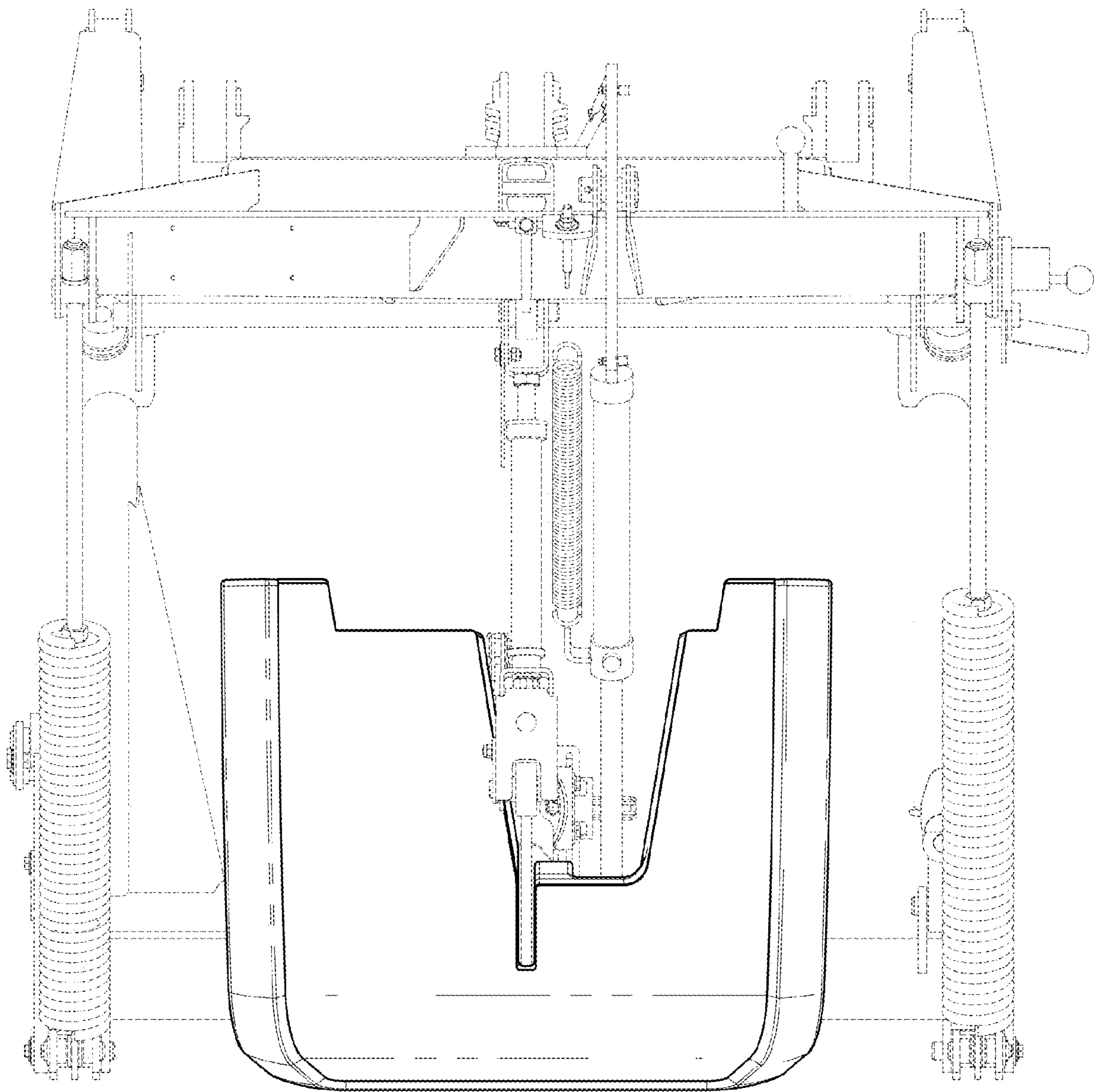


FIG. 7

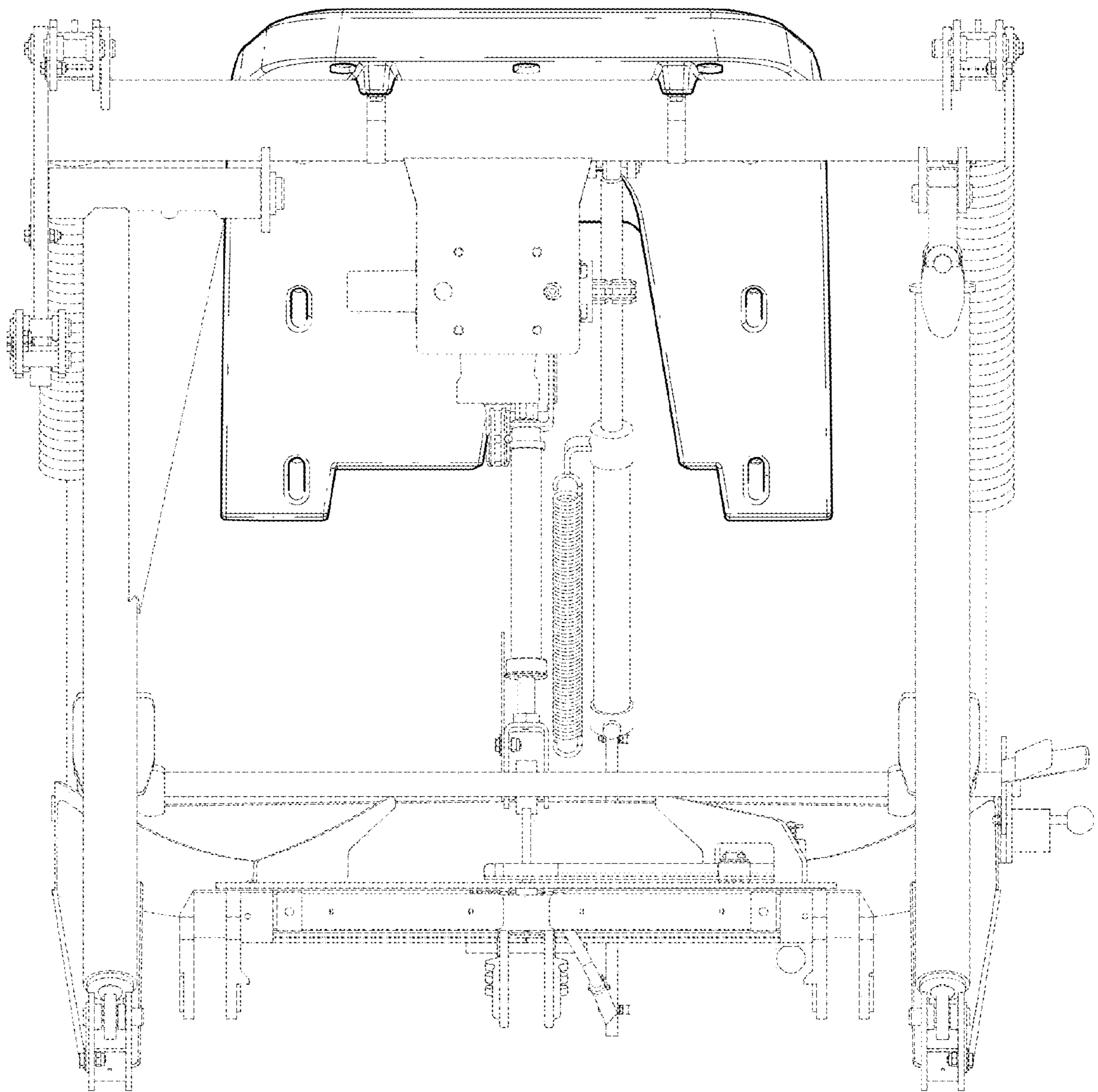


FIG. 8