



US00D888104S

(12) **United States Design Patent** (10) **Patent No.:** **US D888,104 S**
Solow (45) **Date of Patent:** **** Jun. 23, 2020**

(54) **SEALING BOOT**

(71) Applicant: **WOLO MFG. CORP.**, Deer Park, NY (US)

(72) Inventor: **Stanley Solow**, Plainview, NY (US)

(73) Assignee: **WOLO MFG. CORP.**, Deer Park, NY (US)

(**) Term: **15 Years**

(21) Appl. No.: **29/662,551**

(22) Filed: **Sep. 6, 2018**

(51) **LOC (12) Cl.** **15-02**

(52) **U.S. Cl.**
USPC **D15/9**; D13/156

(58) **Field of Classification Search**
USPC D13/133, 154, 156, 184, 199; D15/5, 9, D15/138, 146
CPC F01D 17/105; F02C 9/18; F04D 27/023; F04D 27/0215; F16D 3/845; F16D 2003/846; F16J 15/025; H02G 15/043
See application file for complete search history.

(56) **References Cited**

U.S. PATENT DOCUMENTS

2,749,757	A *	6/1956	Adelt	F16J 15/52
					403/50
3,790,734	A *	2/1974	Raab	H01H 13/06
					200/302.2
4,516,959	A *	5/1985	Krude	F16D 3/2237
					277/636
5,503,438	A *	4/1996	Swauger	F16L 19/0218
					285/332.2
D646,227	S *	10/2011	Natoli	D13/156
D646,230	S *	10/2011	Natoli	D13/156

D659,102	S *	5/2012	Natoli	D13/156
D659,103	S *	5/2012	Natoli	D13/156
9,941,622	B1 *	4/2018	Campbell	H01R 13/005
2002/0108589	A1 *	8/2002	Drecq	F02B 33/20
					123/66
2005/0008476	A1 *	1/2005	Eleftheriou	F01D 17/105
					415/144
2005/0051972	A1 *	3/2005	Wang	F16J 3/043
					277/634
2005/0179216	A1 *	8/2005	Neviani	F16J 3/042
					277/634
2017/0104323	A1 *	4/2017	Vaccaro	H02G 15/043
2019/0107230	A1 *	4/2019	Vaccaro	H01R 13/5216
2020/0032854	A1 *	1/2020	Rood	F16D 1/116

* cited by examiner

Primary Examiner — Patricia A Palasik

(74) *Attorney, Agent, or Firm* — Andrew F. Young, Esq.;
Lackenbach Siegel, LLP

(57) **CLAIM**

The ornamental design for a sealing boot, as shown and described.

DESCRIPTION

FIG. 1 is a front top perspective view of a sealing boot.

FIG. 2 is a front elevation view of FIG. 1.

FIG. 3 is a rear elevation view of FIG. 1.

FIG. 4 is a left side view of FIG. 1.

FIG. 5 is a right side view of FIG. 1.

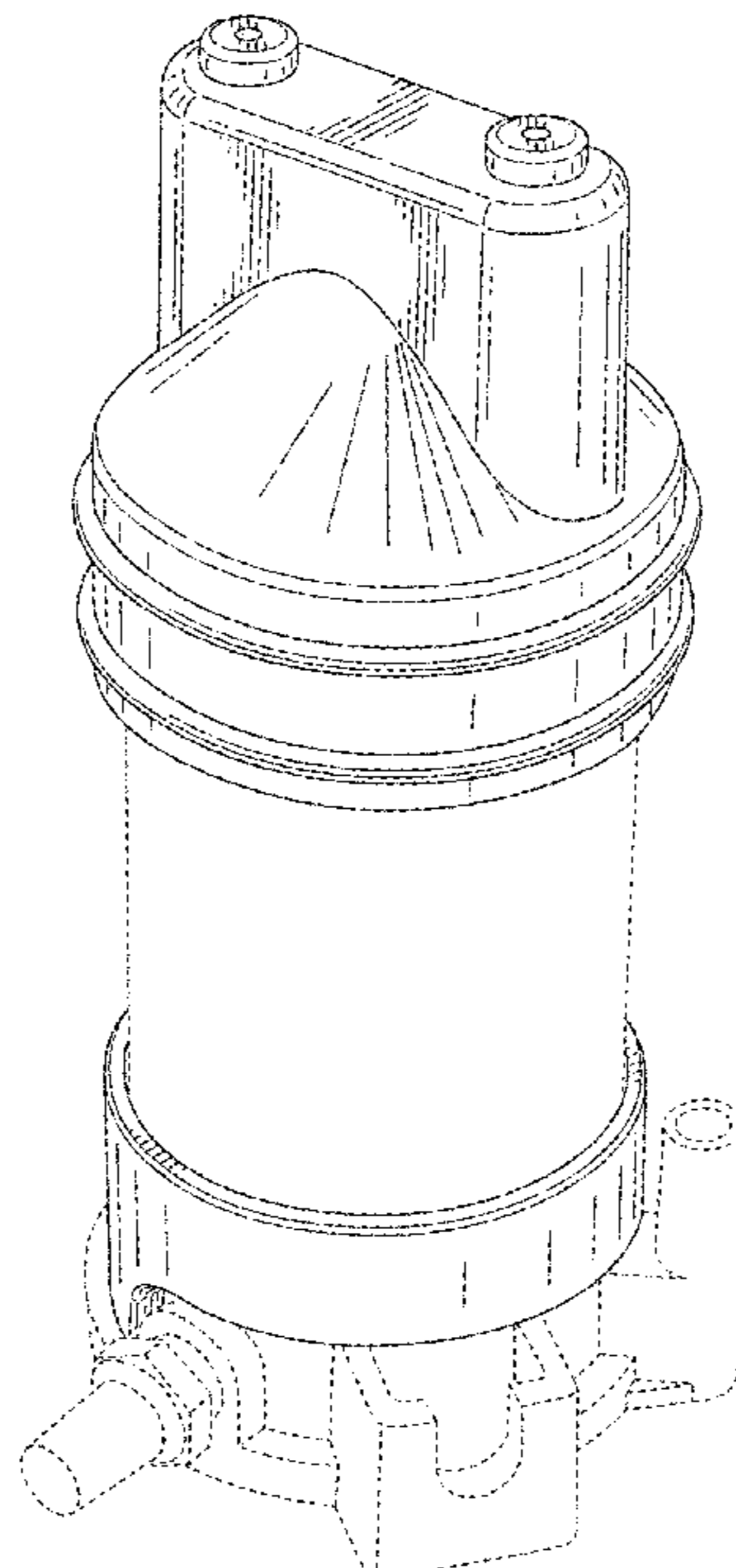
FIG. 6 is a top plan view of FIG. 1; and,

FIG. 7 is a bottom plan view of FIG. 1.

The invention is a sealing boot for a compressor.

No claim is made to portions which are not shown. The dash-dash lines indicate disclaimed environmental subject matter to which no claim is made. The surfaces are lined for contour.

1 Claim, 7 Drawing Sheets



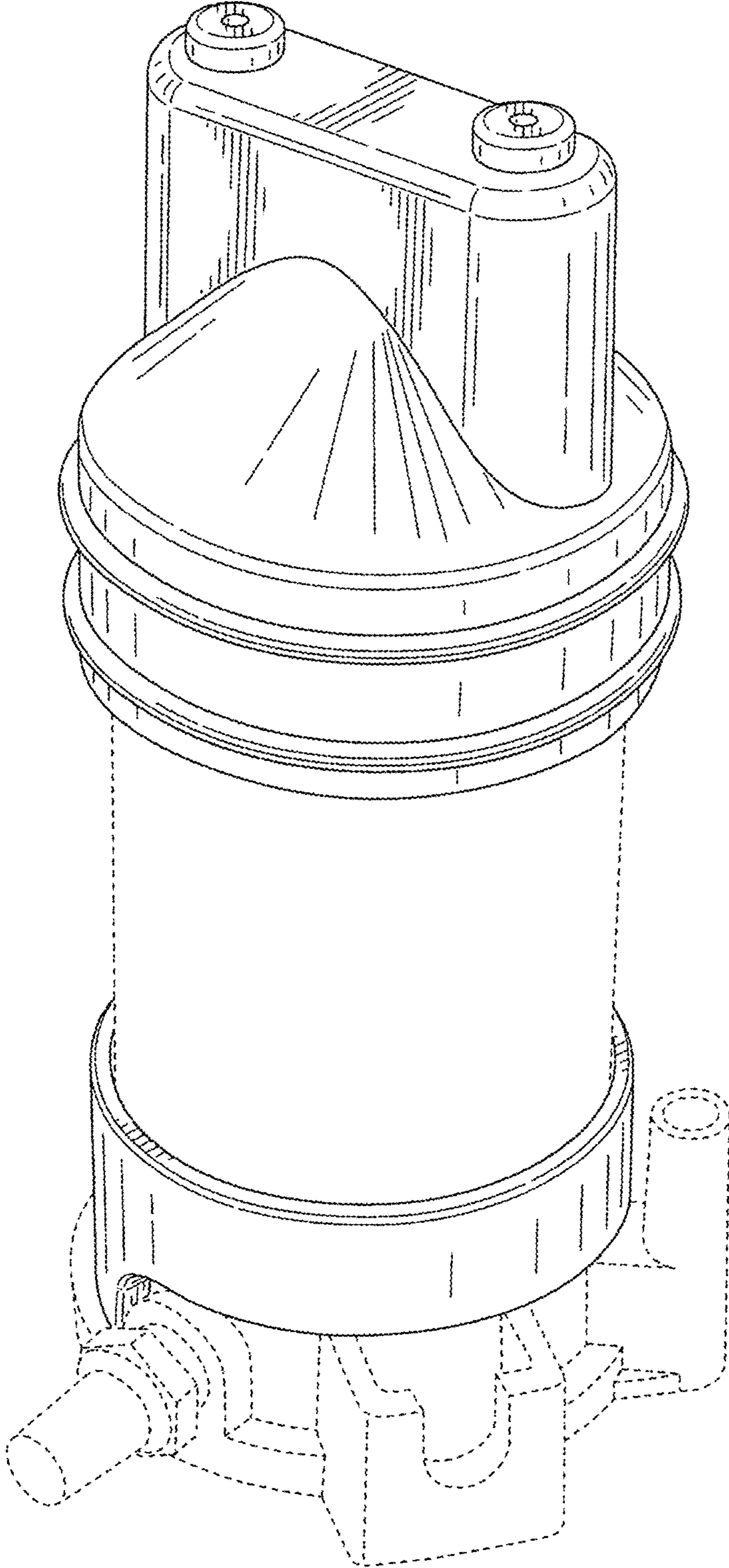


FIG. 1

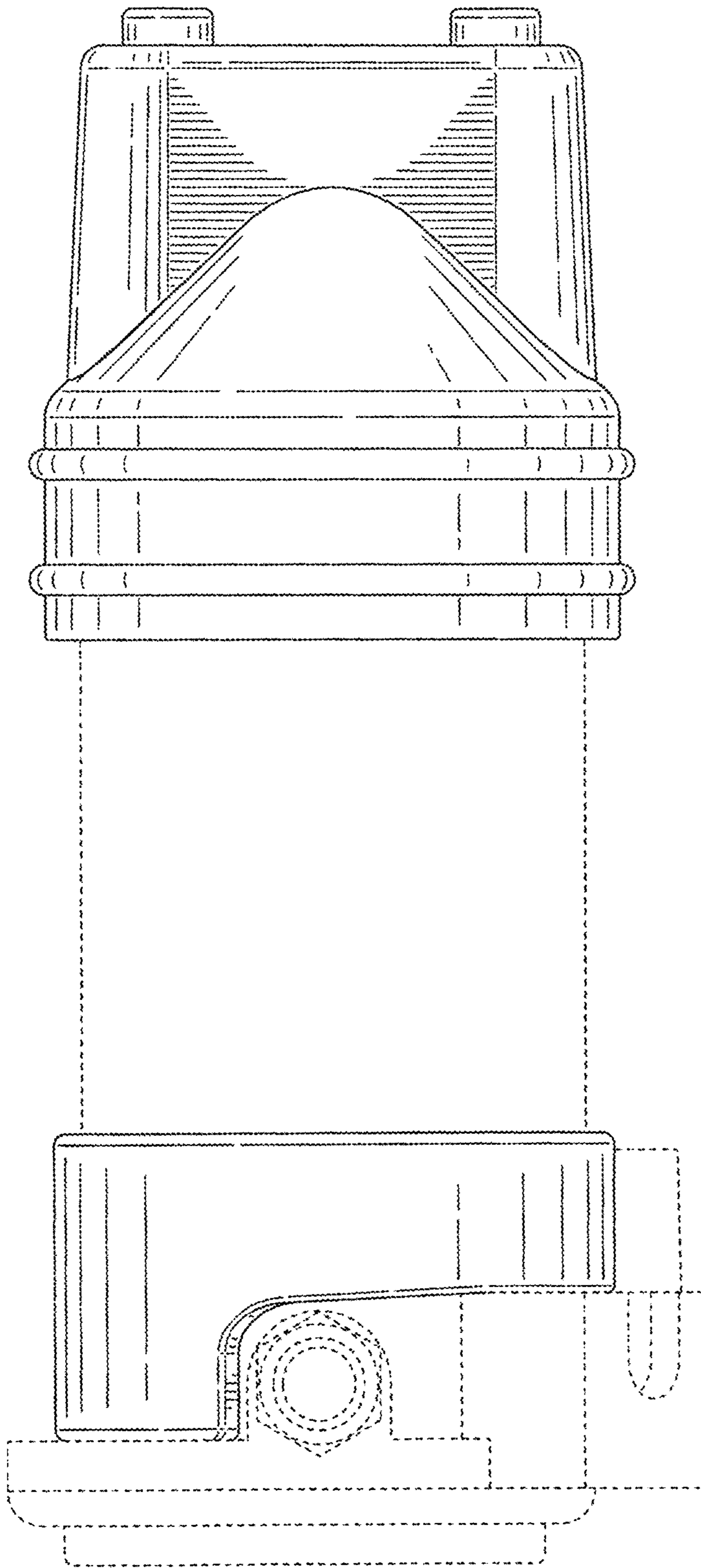


FIG. 2

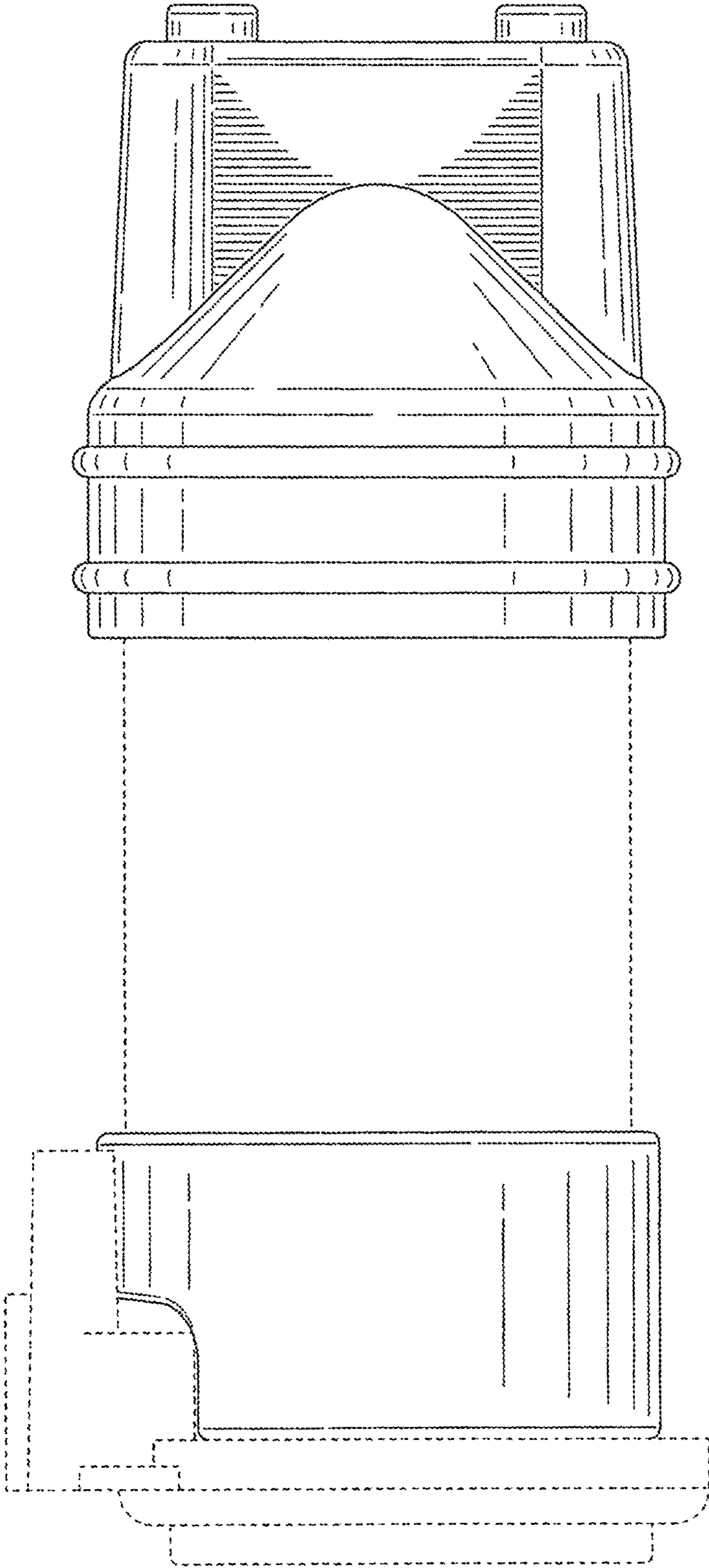


FIG. 3

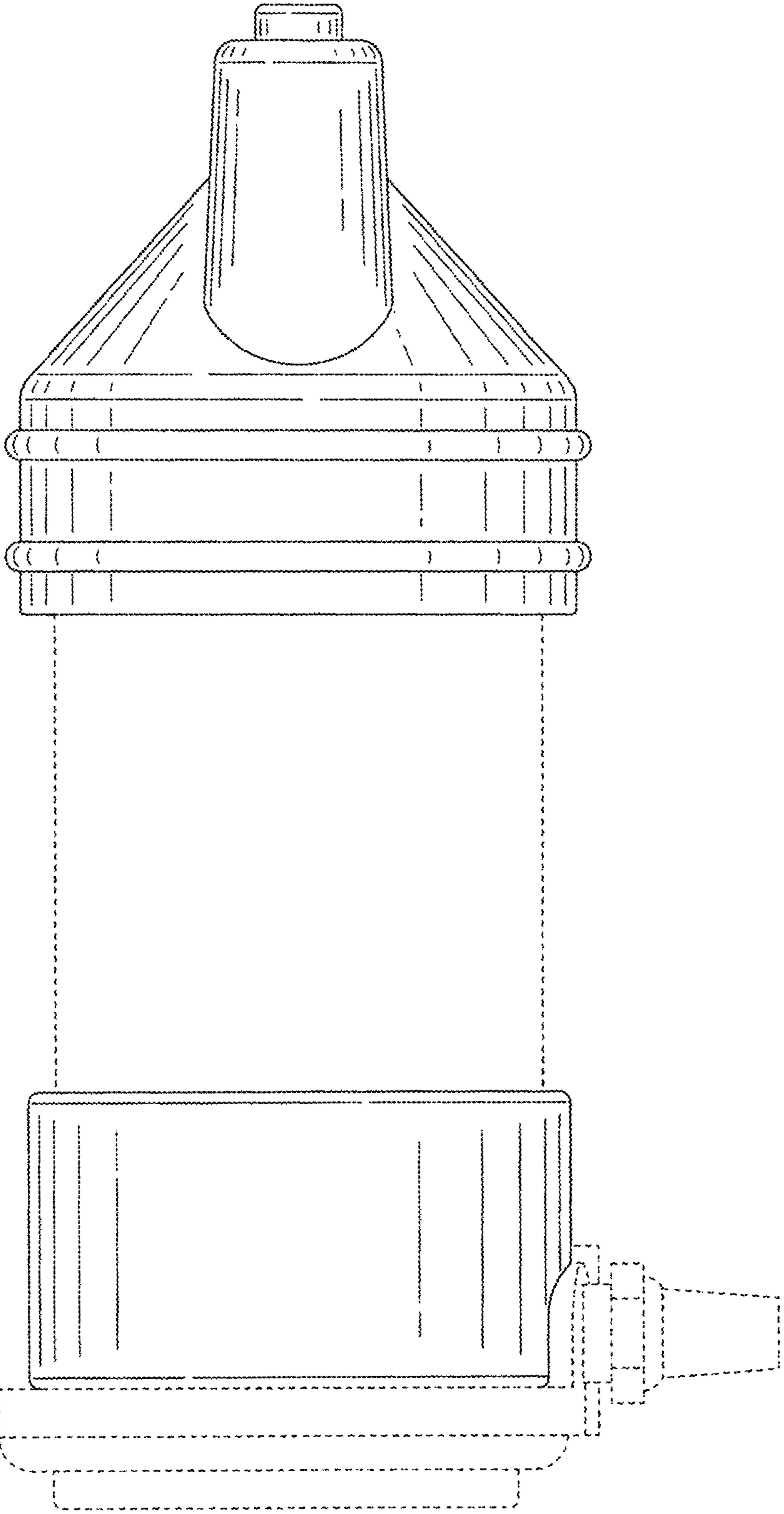


FIG. 4

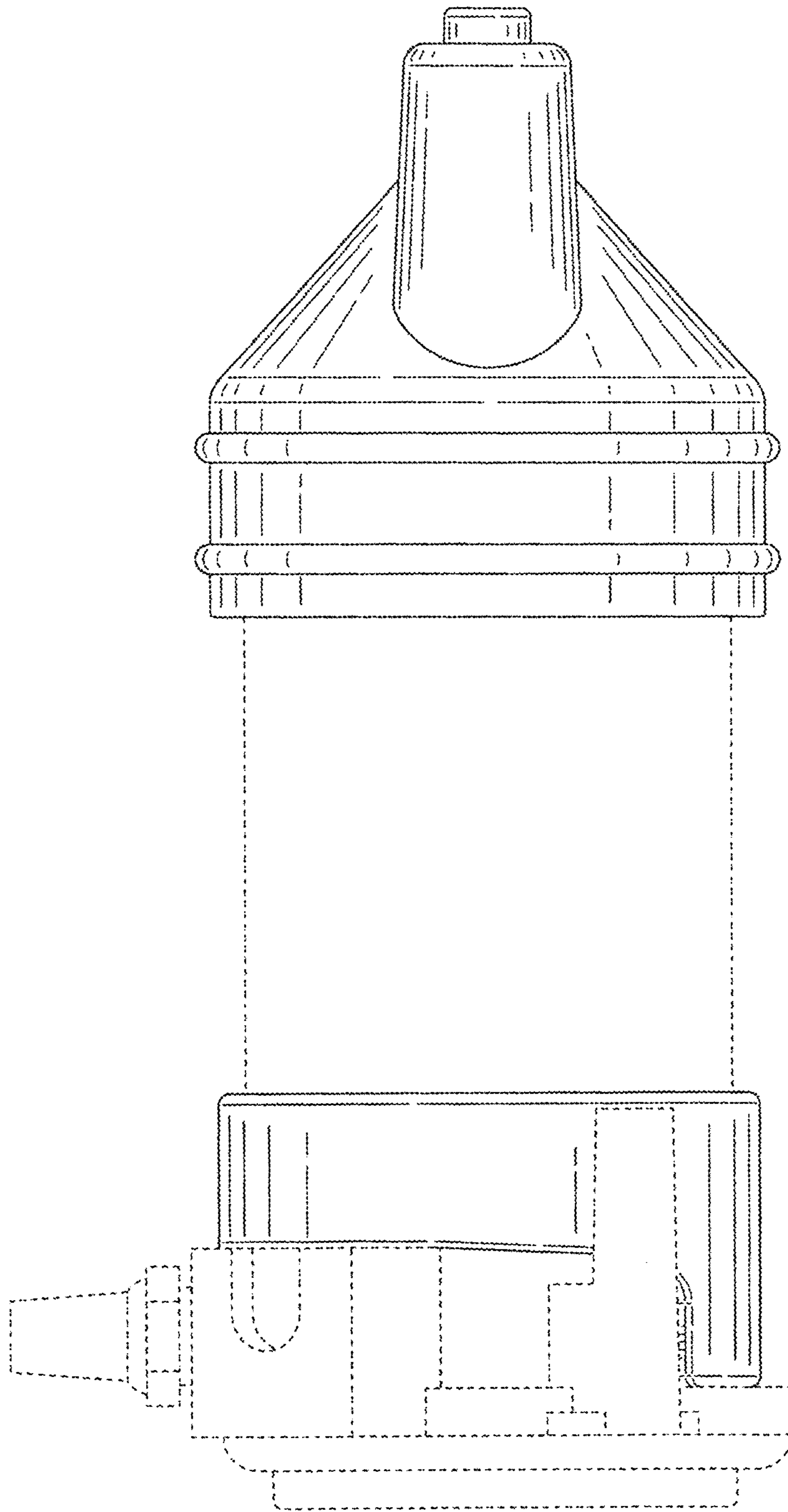


FIG. 5

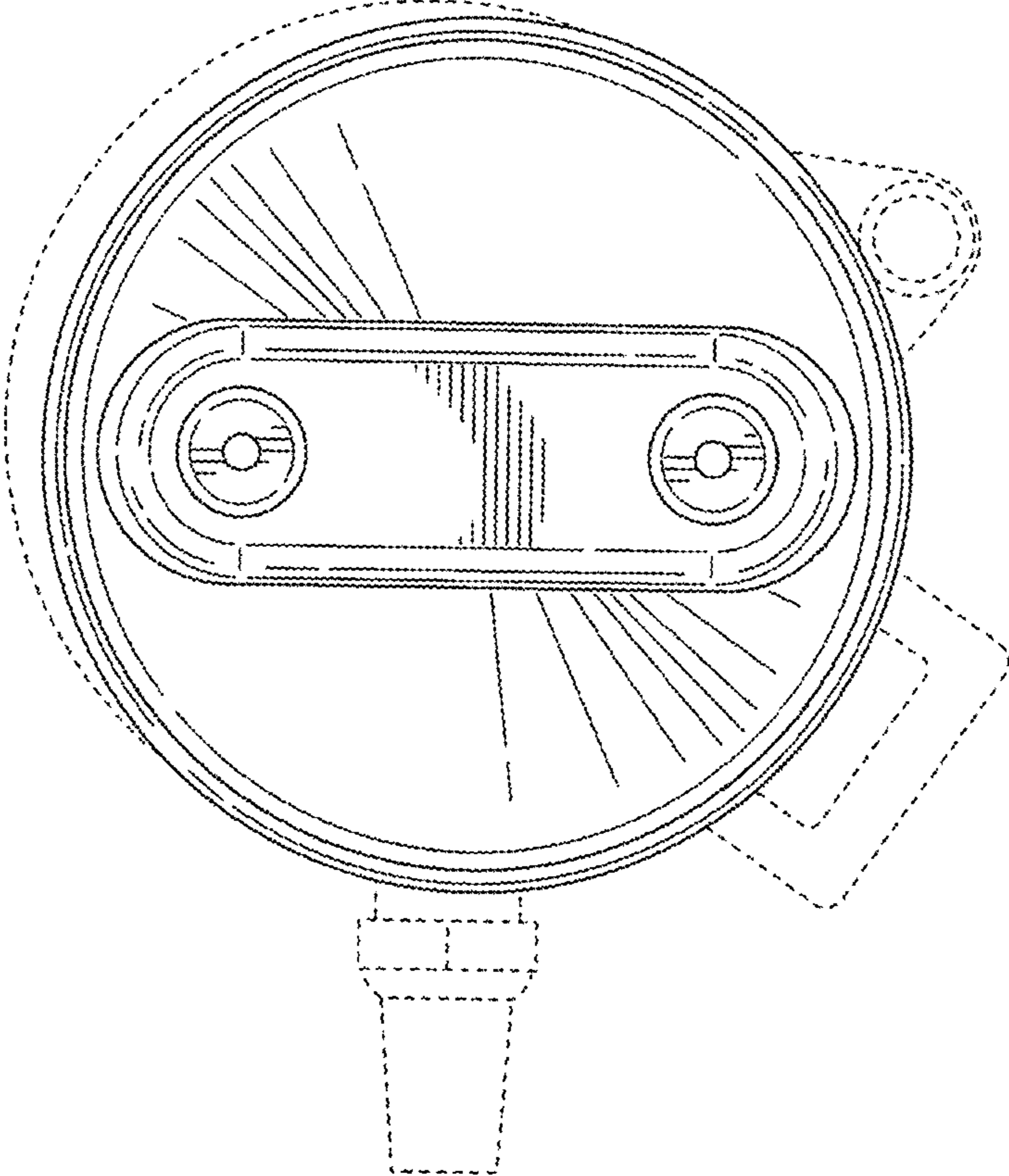


FIG. 6

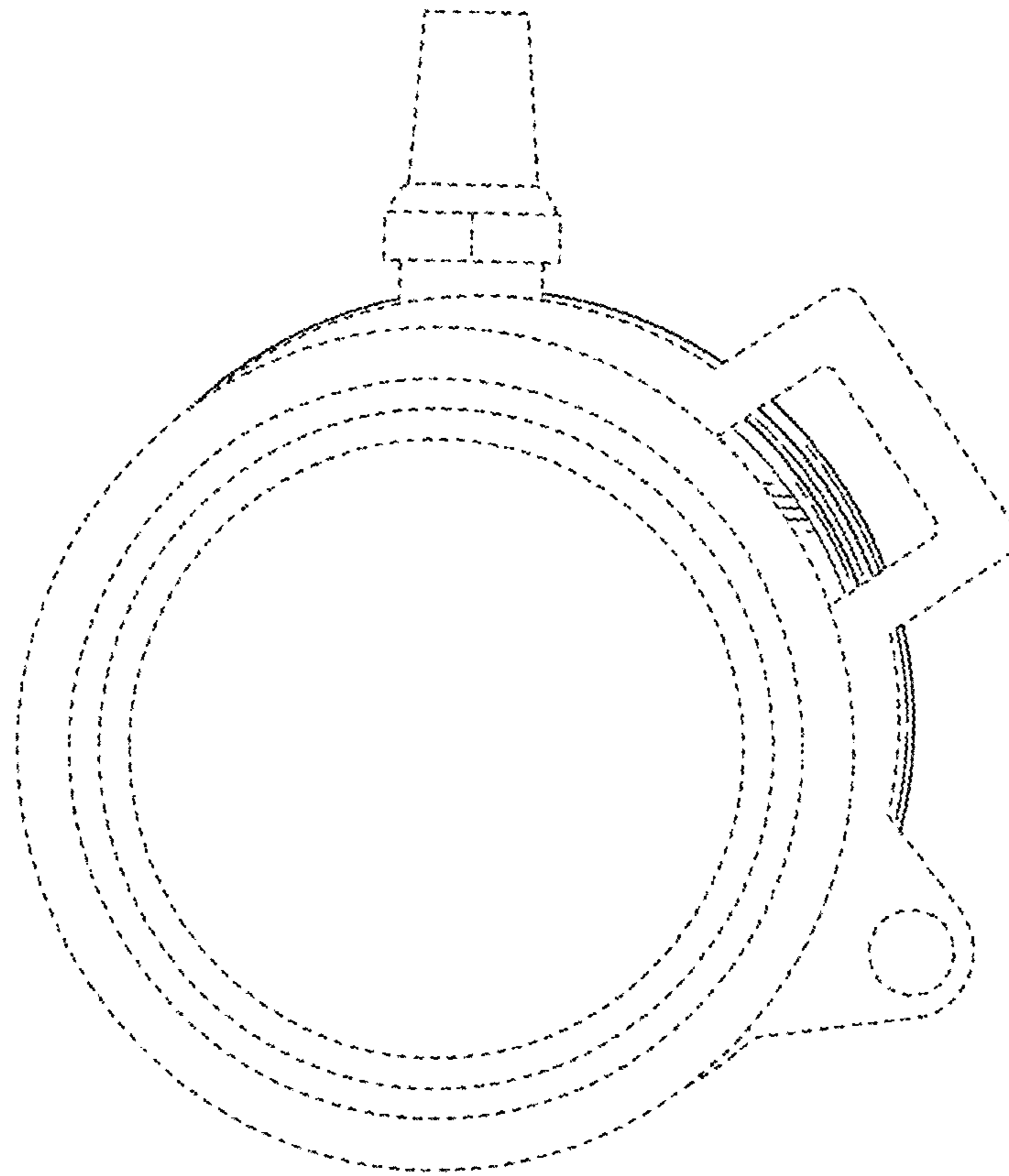


FIG. 7