



US00D888103S

(12) **United States Design Patent**
Lee et al.

(10) **Patent No.:** **US D888,103 S**
(45) **Date of Patent:** **** Jun. 23, 2020**

(54) **HORIZONTAL CONTROL PUMP**

(71) Applicant: **S.A. Armstrong Limited**, Scarborough (CA)

(72) Inventors: **David T. W. Lee**, Scarborough (CA);
Neal Halverson, Scarborough (CA);
Gabor Lechner, Scarborough (CA)

(73) Assignee: **S.A. Armstrong Limited**, Scarborough, Ontario (CA)

(**) Term: **15 Years**

(21) Appl. No.: **29/638,298**

(22) Filed: **Feb. 26, 2018**

(30) **Foreign Application Priority Data**

Jan. 19, 2018 (CA) 179284

(51) **LOC (12) Cl.** **15-03**

(52) **U.S. Cl.**
USPC **D15/7**

(58) **Field of Classification Search**
USPC D15/7-9; D23/225, 231, 232
(Continued)

(56) **References Cited**

U.S. PATENT DOCUMENTS

D822,719 S * 7/2018 Hines D15/7
D822,720 S * 7/2018 Hines D15/7

(Continued)

Primary Examiner — Khawaja Anwar

(74) *Attorney, Agent, or Firm* — Bret E. Field; Bozicevic, Field & Francis LLP

(57) **CLAIM**

The ornamental design for horizontal control pump, as shown and described.

DESCRIPTION

FIG. 1 is a front perspective view of the horizontal control pump, in a first embodiment;

FIG. 2 is a rear perspective view of the horizontal control pump shown in FIG. 1;

FIG. 3 is a front view of the horizontal control pump shown in FIG. 1;

FIG. 4 is a rear view of the horizontal control pump shown in FIG. 1;

FIG. 5 is a right side view of the horizontal control pump shown in FIG. 1;

FIG. 6 is a left side view of the horizontal control pump shown in FIG. 1;

FIG. 7 is a top view of the horizontal control pump shown in FIG. 1;

FIG. 8 is a bottom view of the horizontal control pump shown in FIG. 1;

FIG. 9 is a front perspective view of the horizontal control pump, in a second embodiment;

FIG. 10 is a rear perspective view of the horizontal control pump shown in FIG. 9;

FIG. 11 is a front view of the horizontal control pump shown in FIG. 9;

FIG. 12 is a rear view of the horizontal control pump shown in FIG. 9;

FIG. 13 is a right side view of the horizontal control pump shown in FIG. 9;

FIG. 14 is a left side view of the horizontal control pump shown in FIG. 9;

FIG. 15 is a top view of the horizontal control pump shown in FIG. 9;

FIG. 16 is a bottom view of the horizontal control pump shown in FIG. 9;

FIG. 17 is a front perspective view of the horizontal control pump, in a third embodiment;

FIG. 18 is a rear perspective view of the horizontal control pump shown in FIG. 17;

FIG. 19 is a front view of the horizontal control pump shown in FIG. 17;

FIG. 20 is a rear view of the horizontal control pump shown in FIG. 17;

FIG. 21 is a right side view of the horizontal control pump shown in FIG. 17;

(Continued)

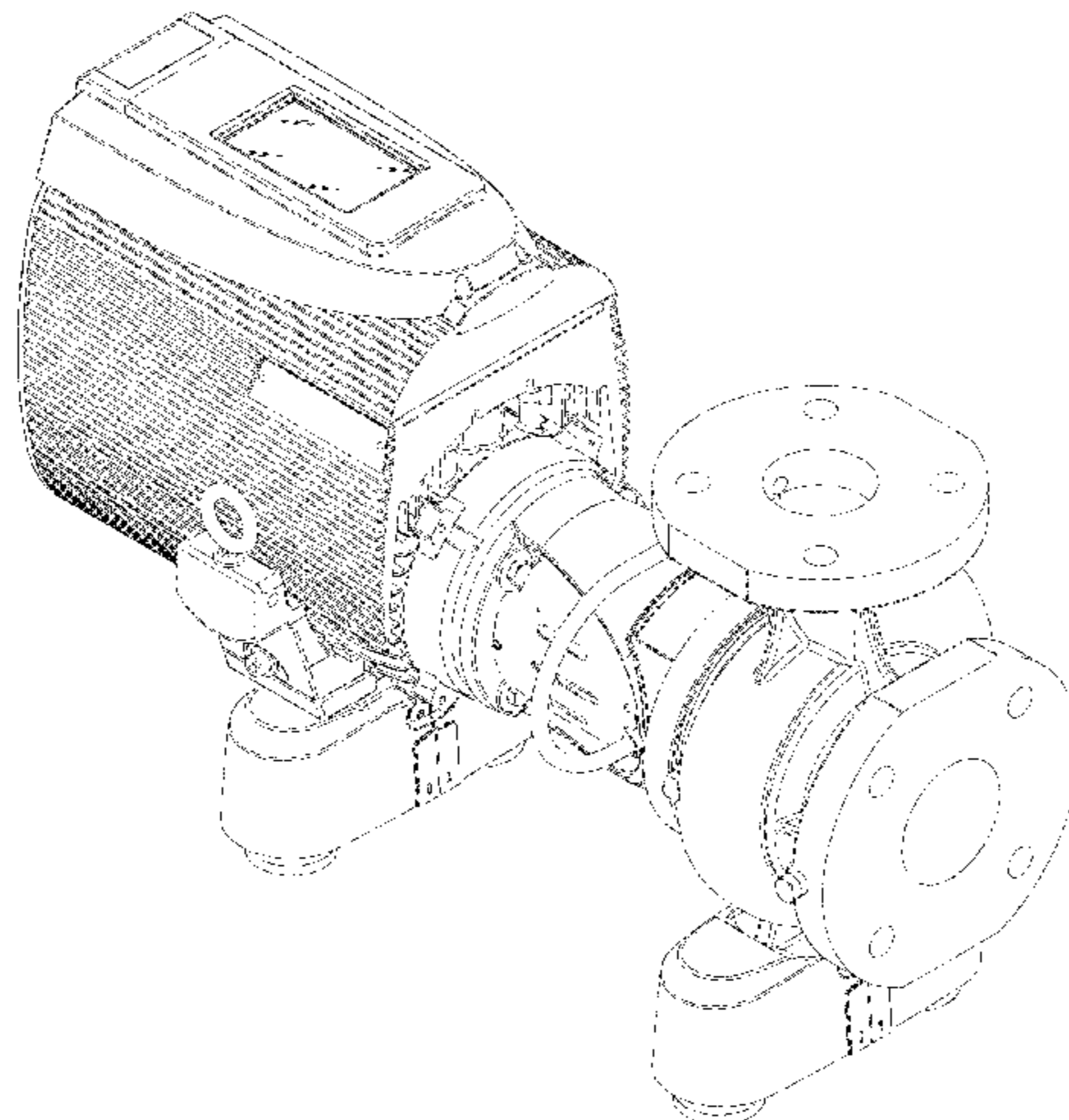


FIG. 22 is a left side view of the horizontal control pump shown in FIG. 17;
FIG. 23 is a top view of the horizontal control pump shown in FIG. 17;
FIG. 24 is a bottom view of the horizontal control pump shown in FIG. 17;
FIG. 25 is a front perspective view of the horizontal control pump, in a fourth embodiment;
FIG. 26 is a rear perspective view of the horizontal control pump shown in FIG. 25;
FIG. 27 is a front view of the horizontal control pump shown in FIG. 25;
FIG. 28 is a rear view of the horizontal control pump shown in FIG. 25;
FIG. 29 is a right side view of the horizontal control pump shown in FIG. 25;
FIG. 30 is a left side view of the horizontal control pump shown in FIG. 25;
FIG. 31 is a top view of the horizontal control pump shown in FIG. 25; and,
FIG. 32 is a bottom view of the horizontal control pump shown in FIG. 25.

The broken lines shown represent unclaimed subject matter and form no part of the claimed design.

1 Claim, 32 Drawing Sheets

(58) **Field of Classification Search**

CPC F02M 37/04; F02M 37/14; F04B 53/92;
F04B 1/005; F04D 13/06; F04D 29/22;
F04D 29/046; F04D 29/2266

See application file for complete search history.

(56) **References Cited**

U.S. PATENT DOCUMENTS

D834,068	S	*	11/2018	Lee	D15/7
D839,313	S	*	1/2019	Lee	D15/7
D839,922	S	*	2/2019	Lee	D15/7
D848,487	S	*	5/2019	van Opdorp	D15/7
D867,400	S	*	11/2019	Xiang	D15/7
D869,509	S	*	12/2019	Huang	D15/7
D870,153	S	*	12/2019	Xiang	D15/7
D872,132	S	*	1/2020	Sofussen	D15/7

* cited by examiner

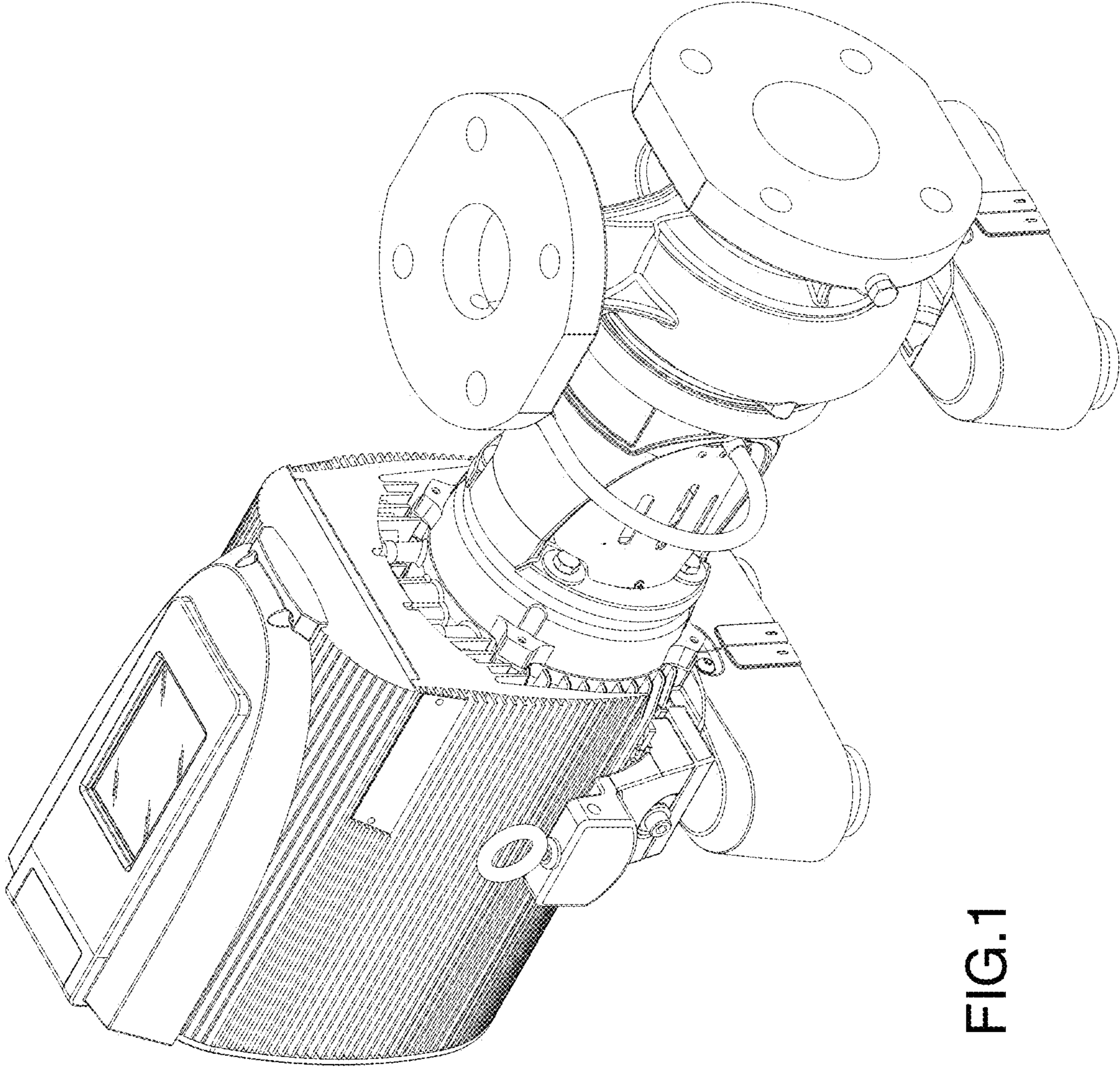


FIG.1

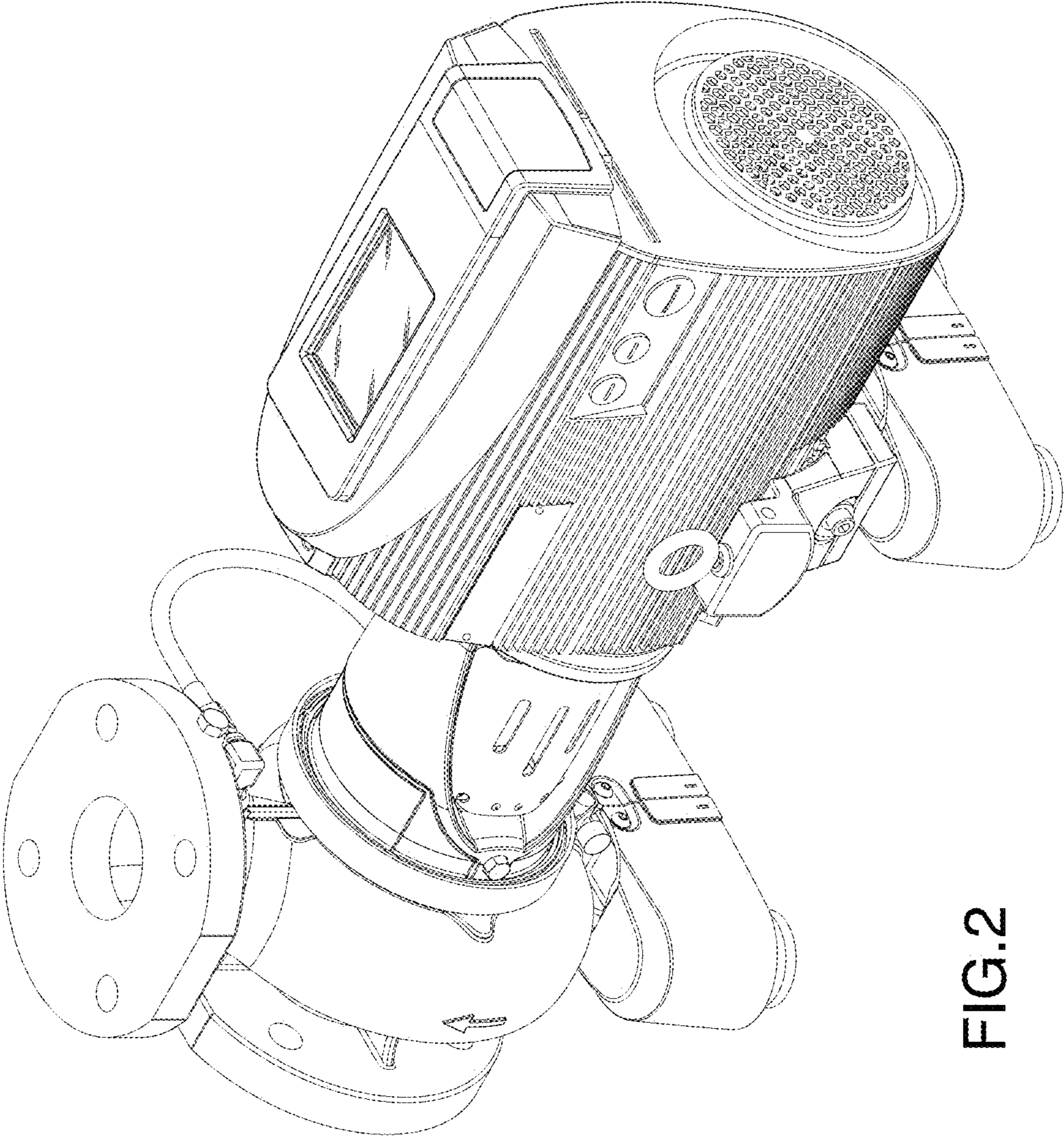


FIG.2

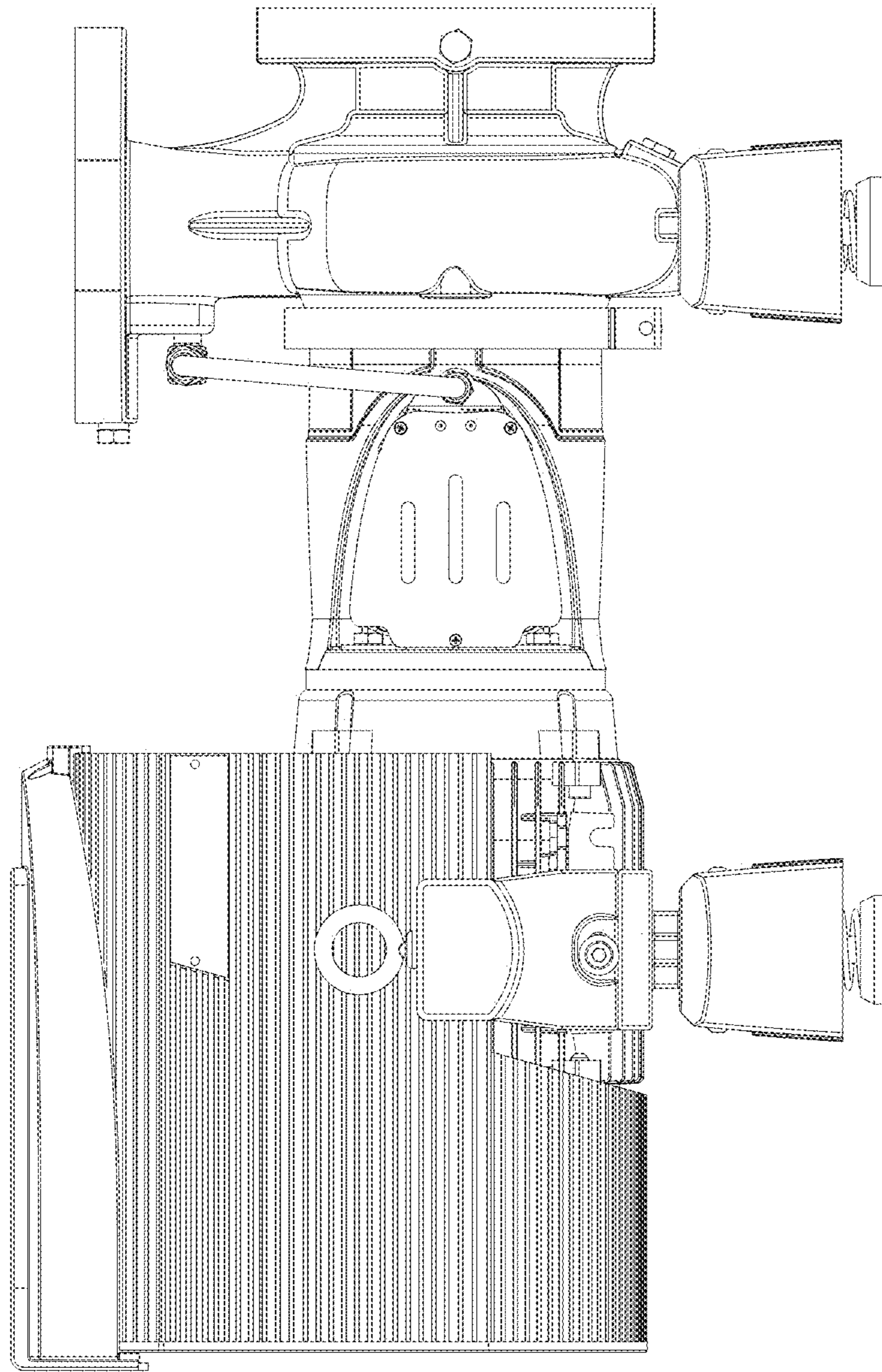


FIG.3

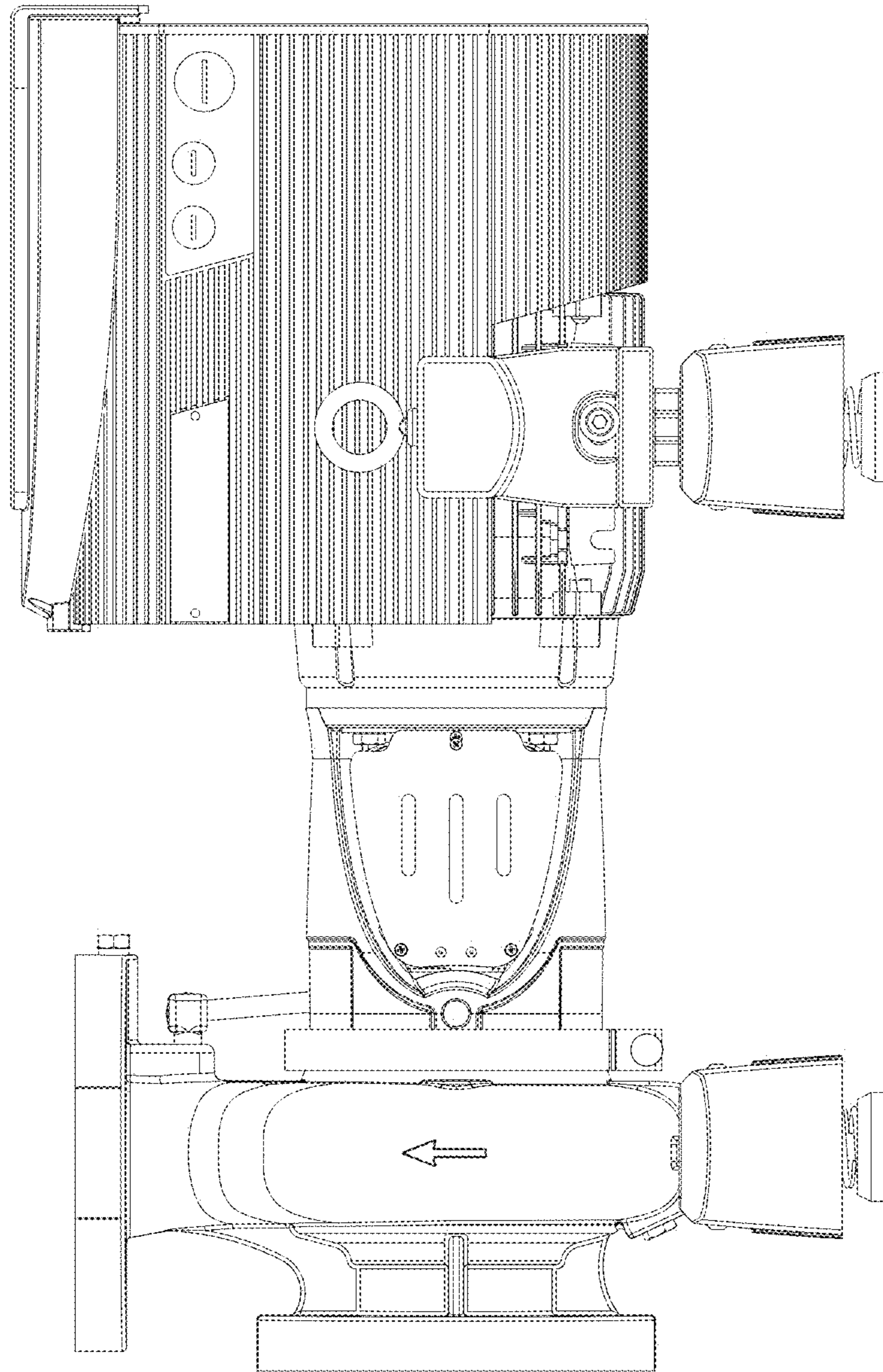


FIG.4

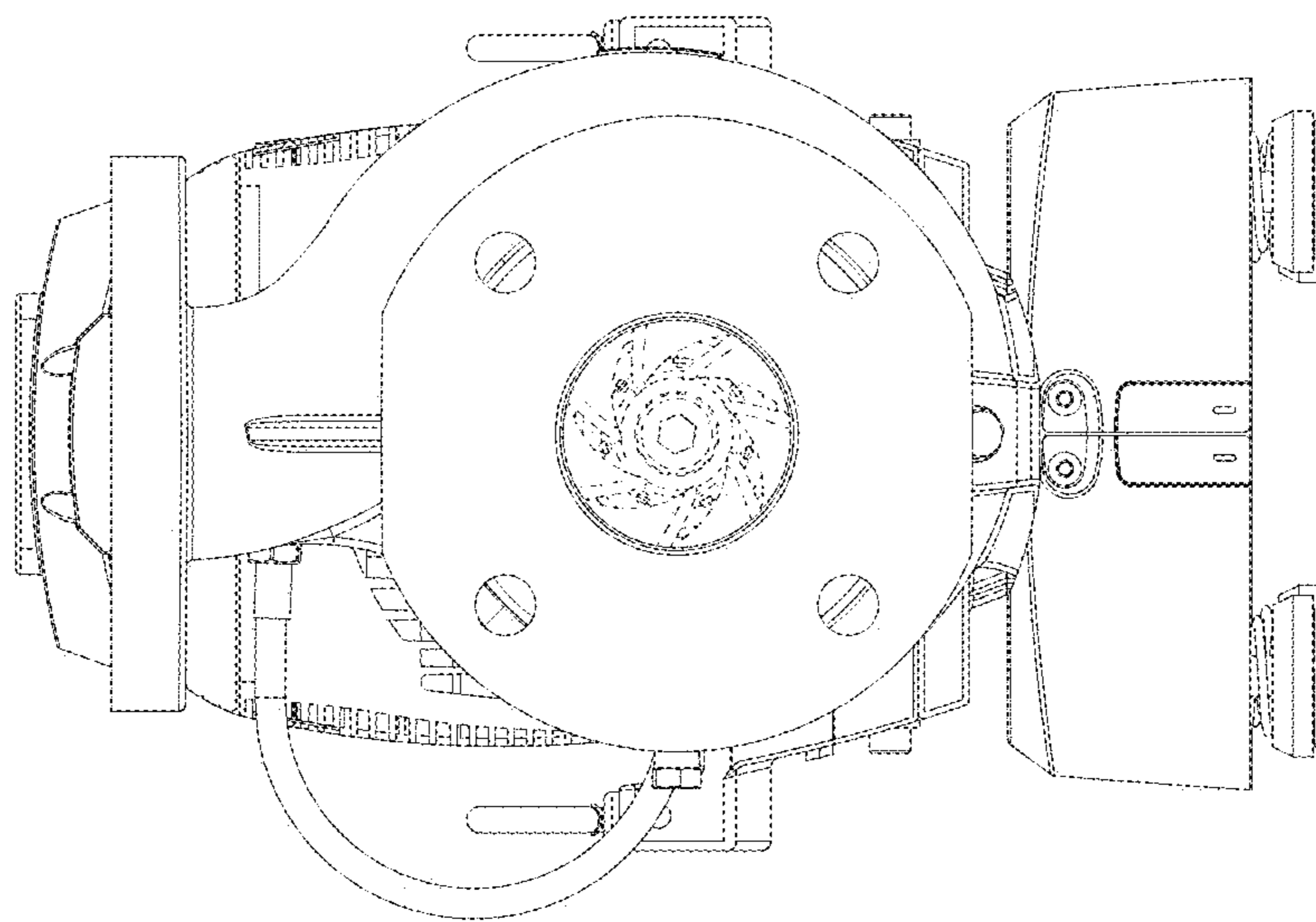


FIG. 5

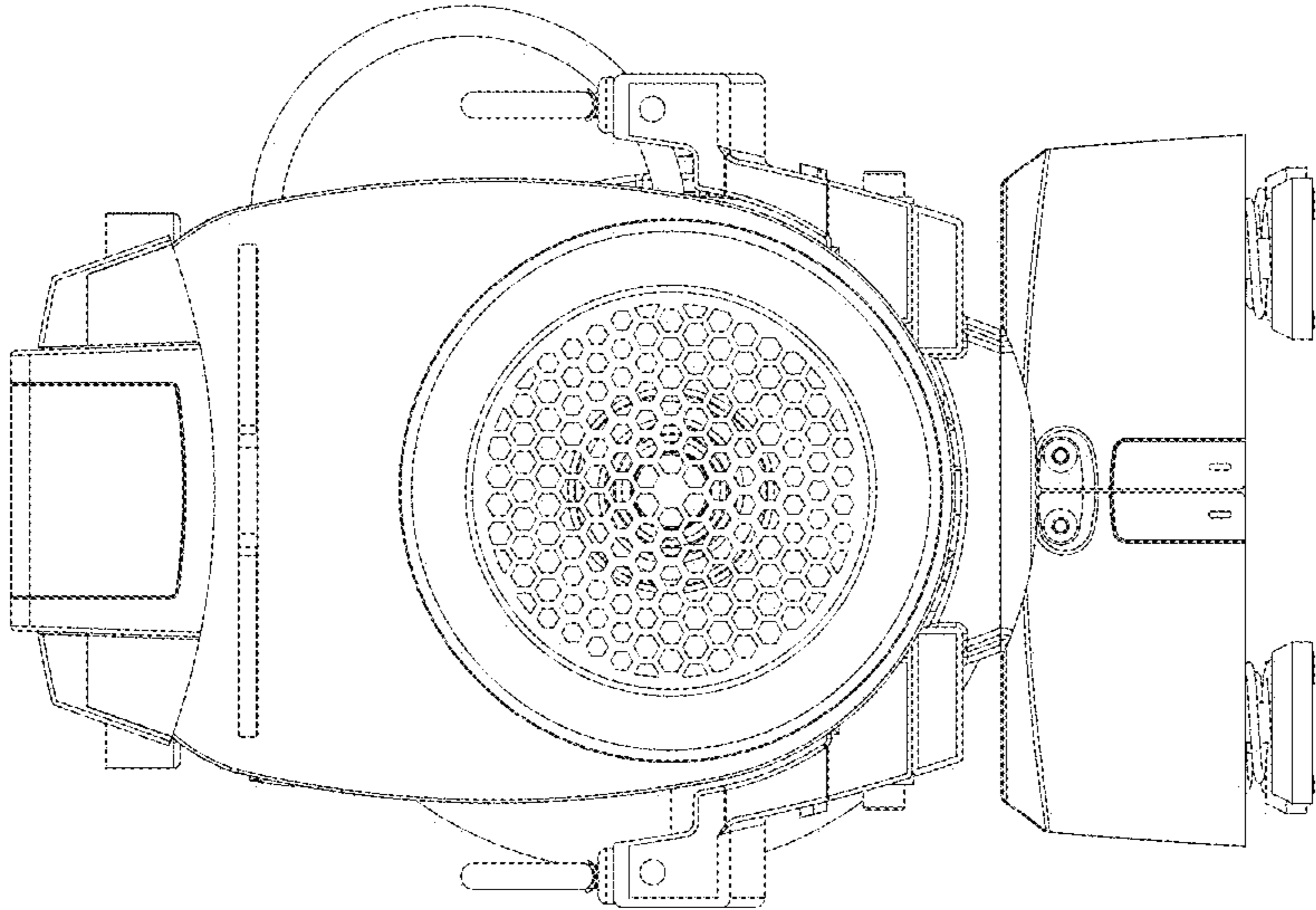


FIG.6

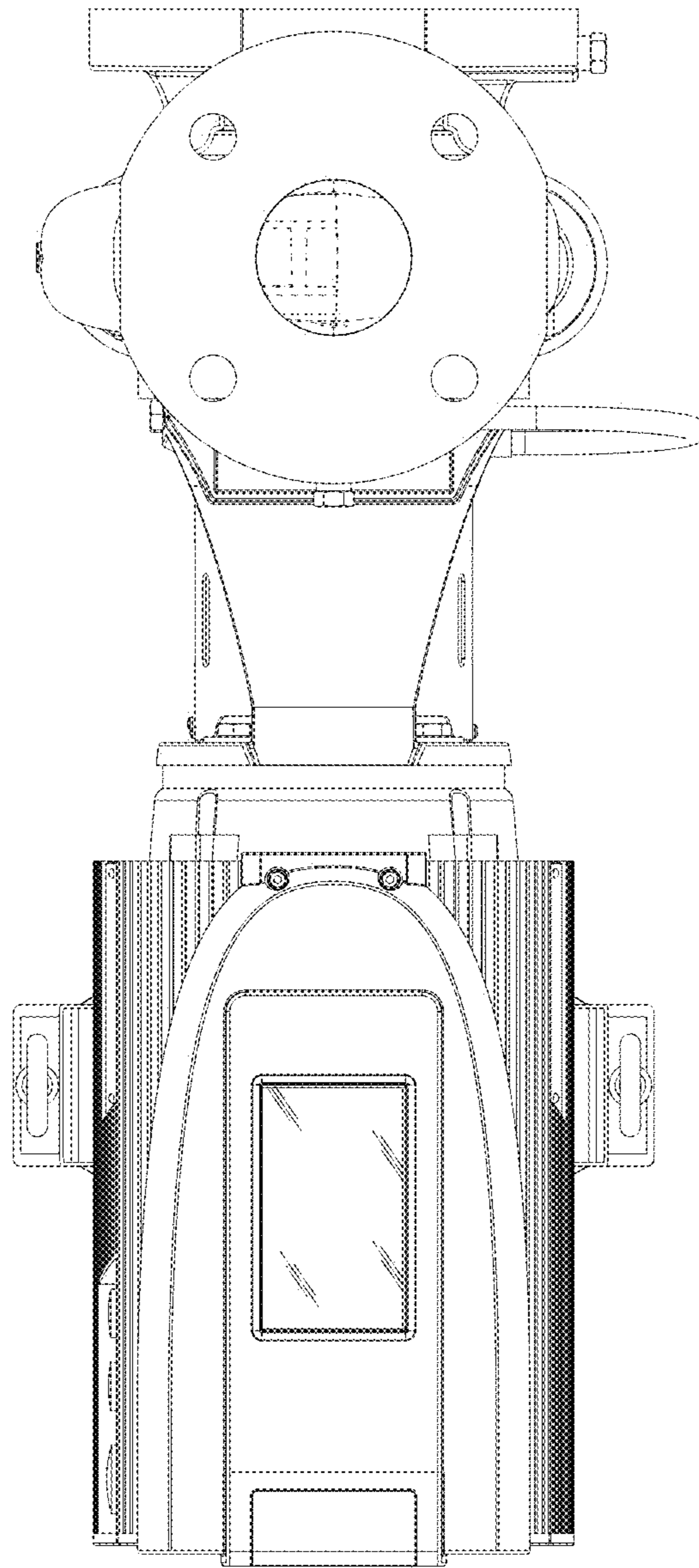


FIG. 7

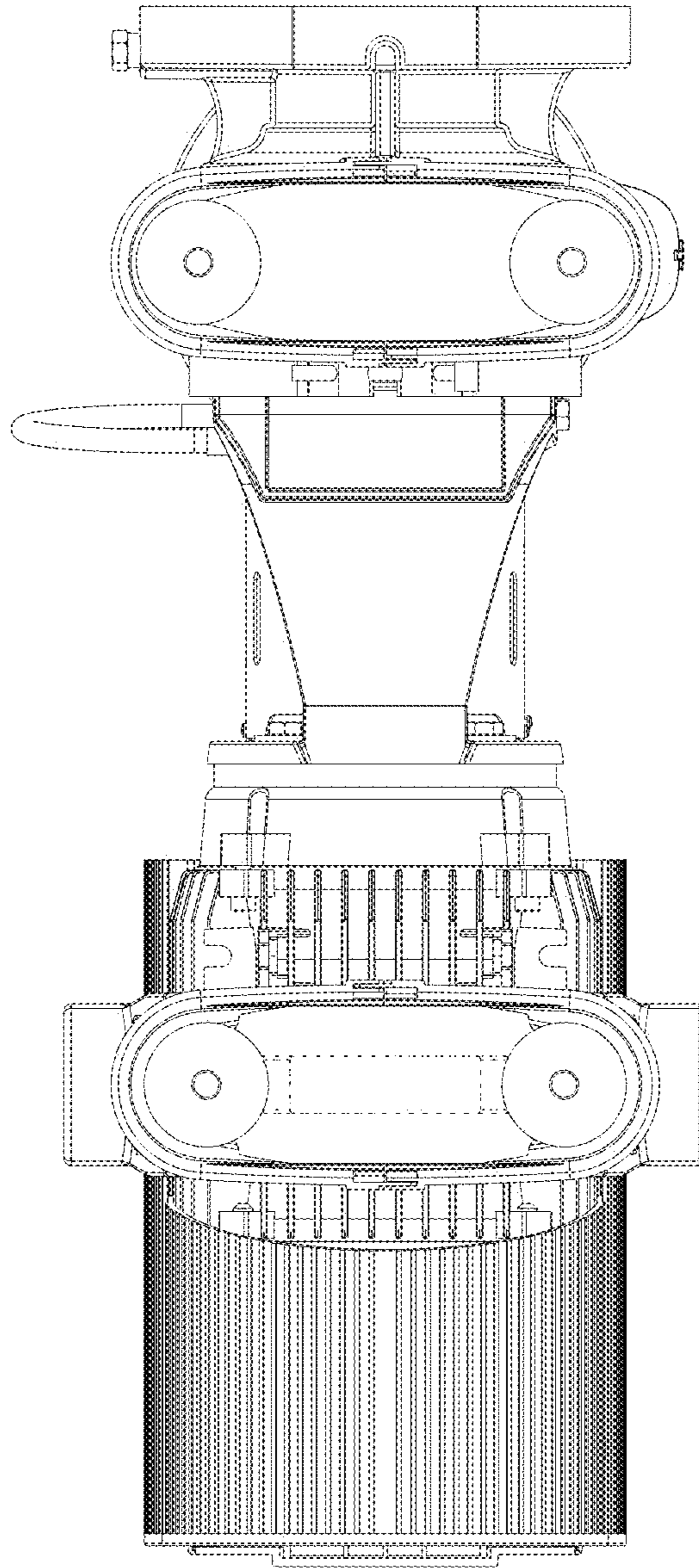


FIG. 8

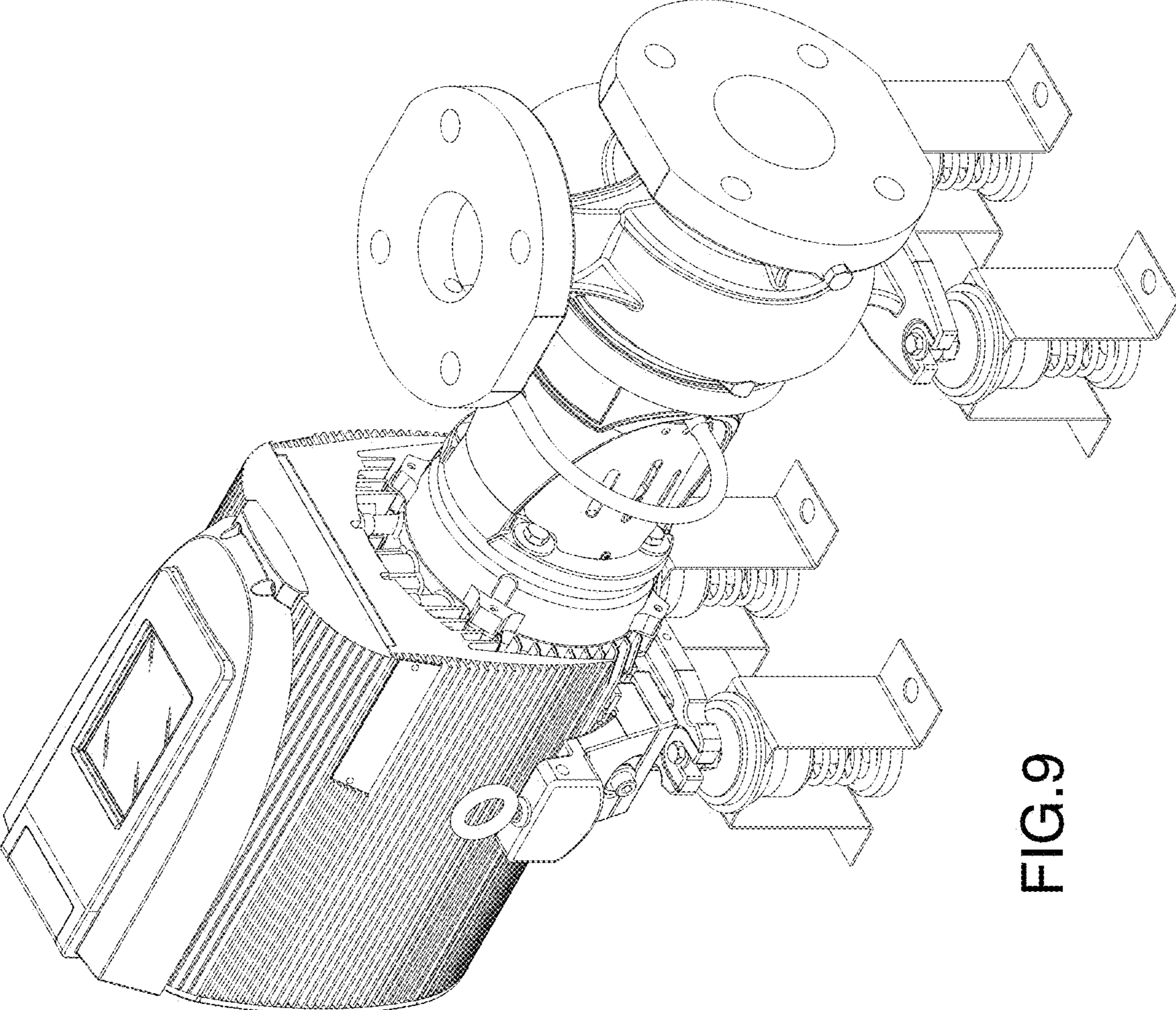


FIG.9

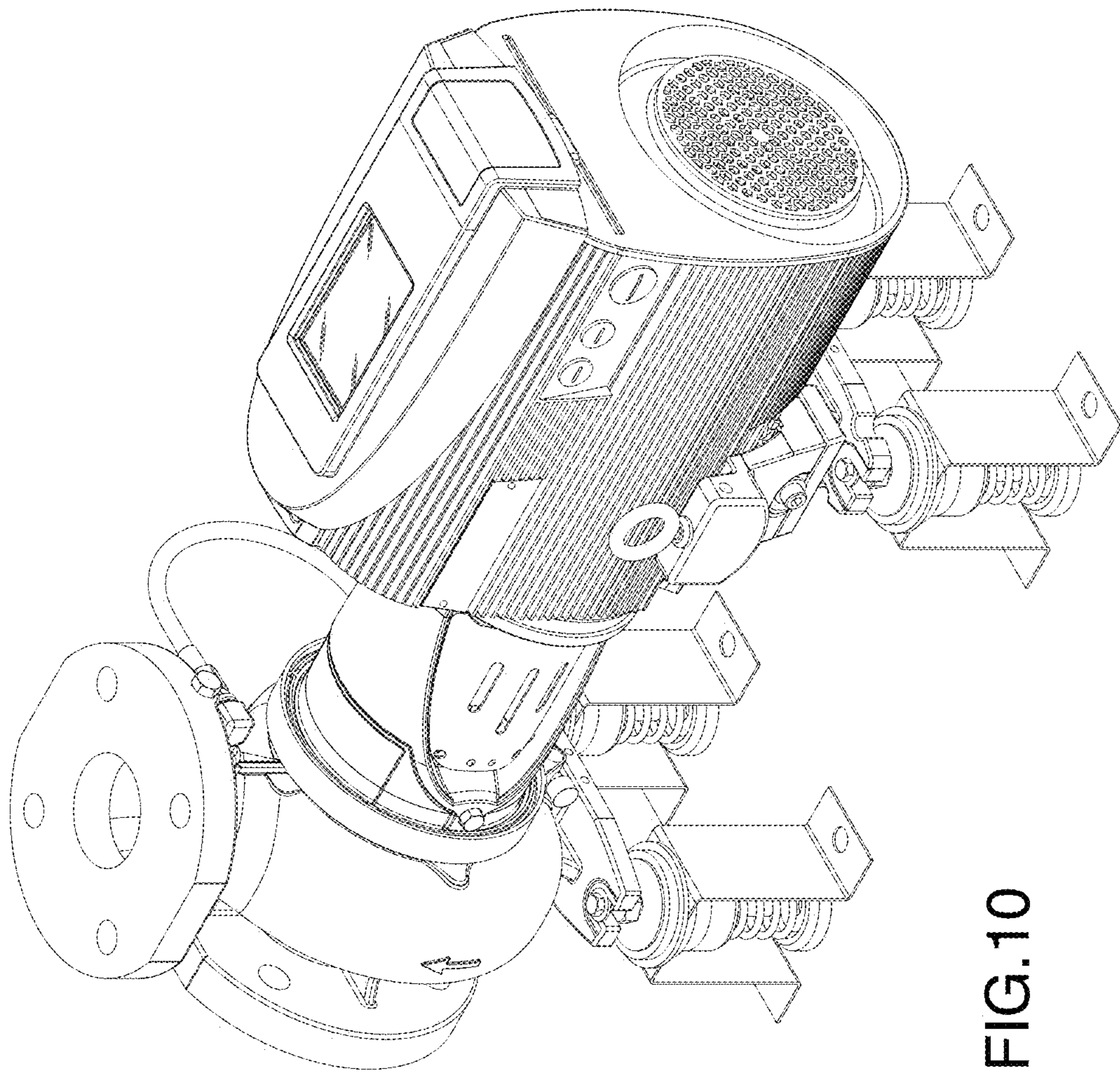


FIG.10

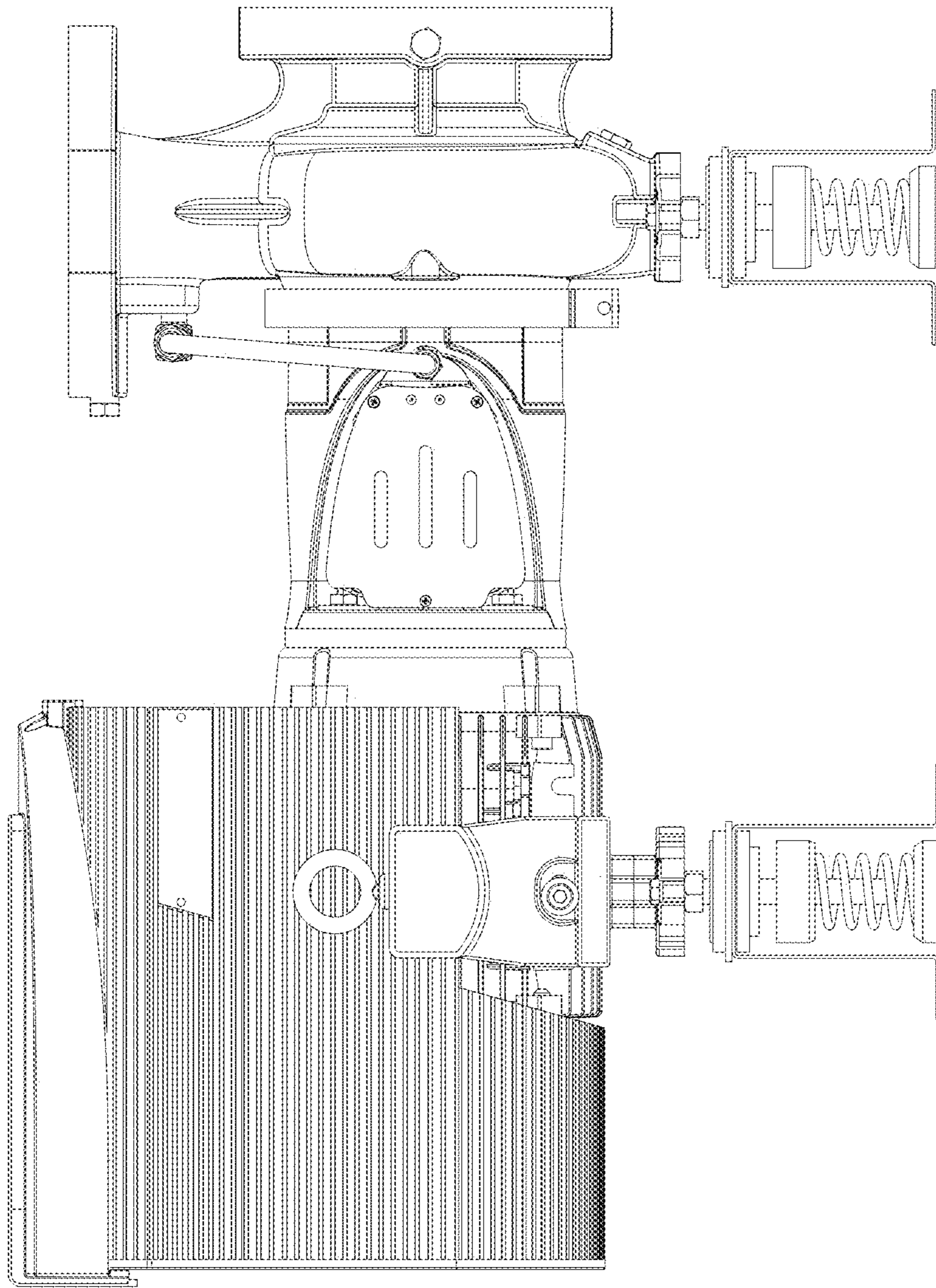


FIG.11

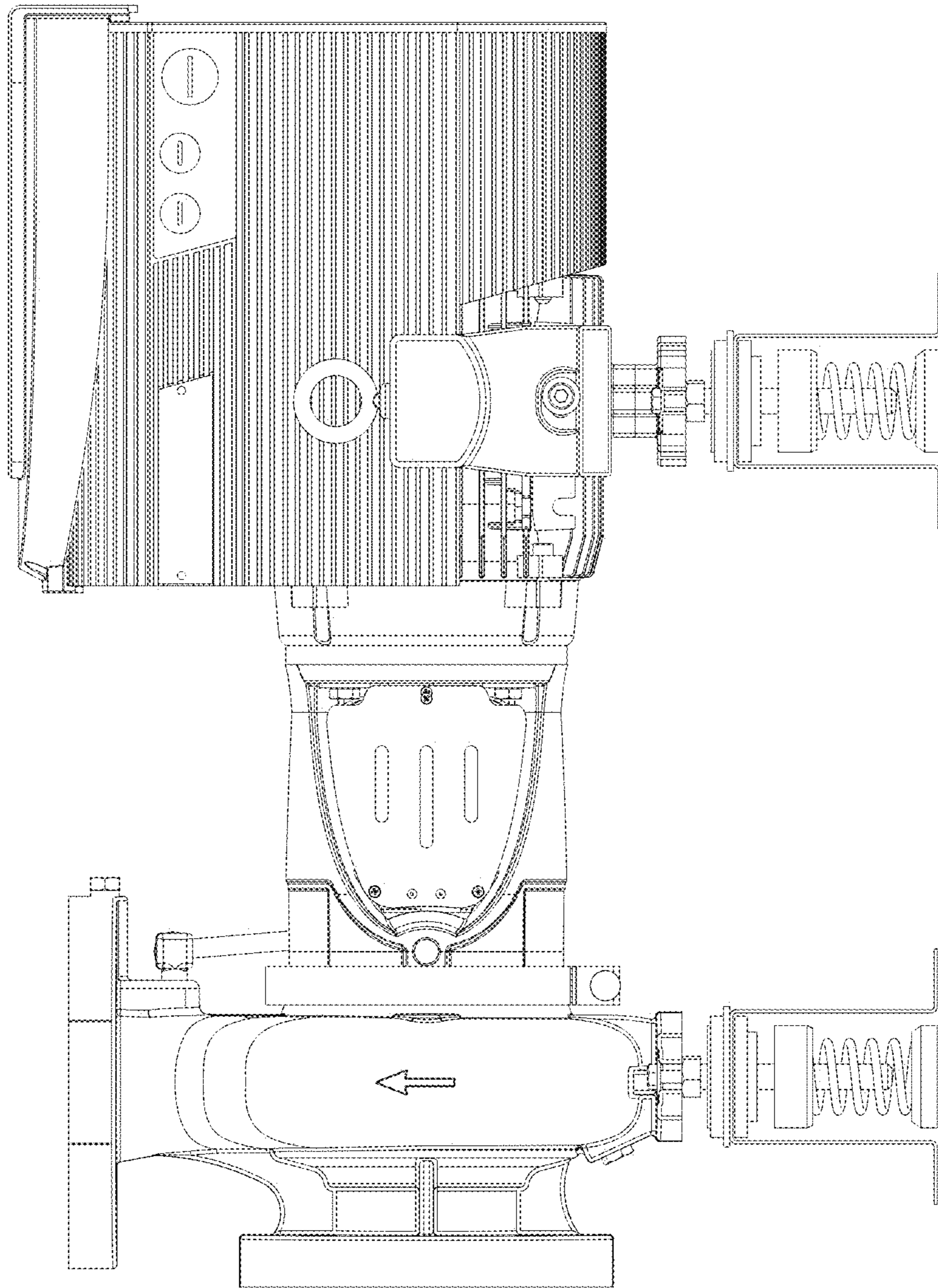


FIG.12

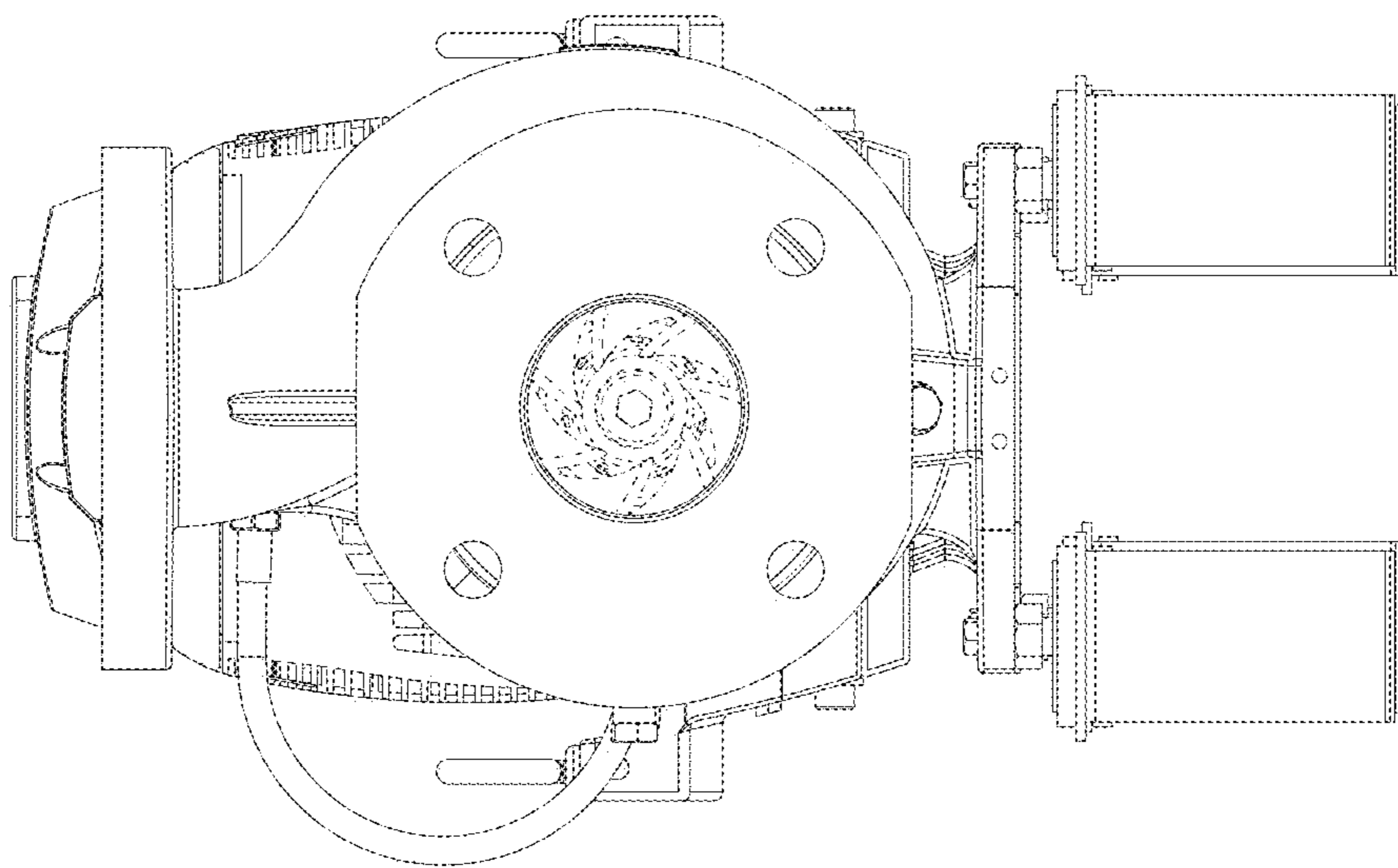


FIG.13

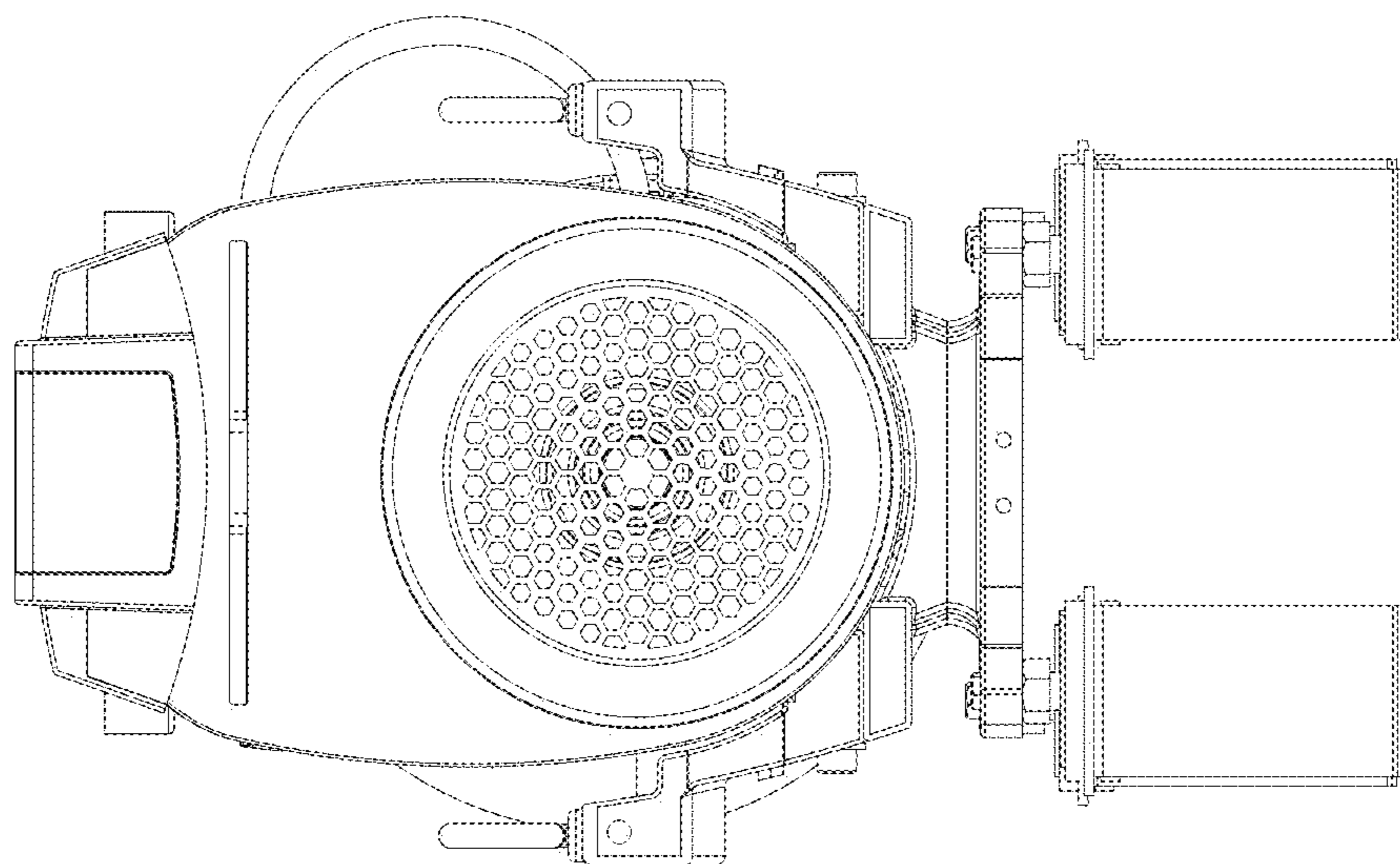


FIG.14

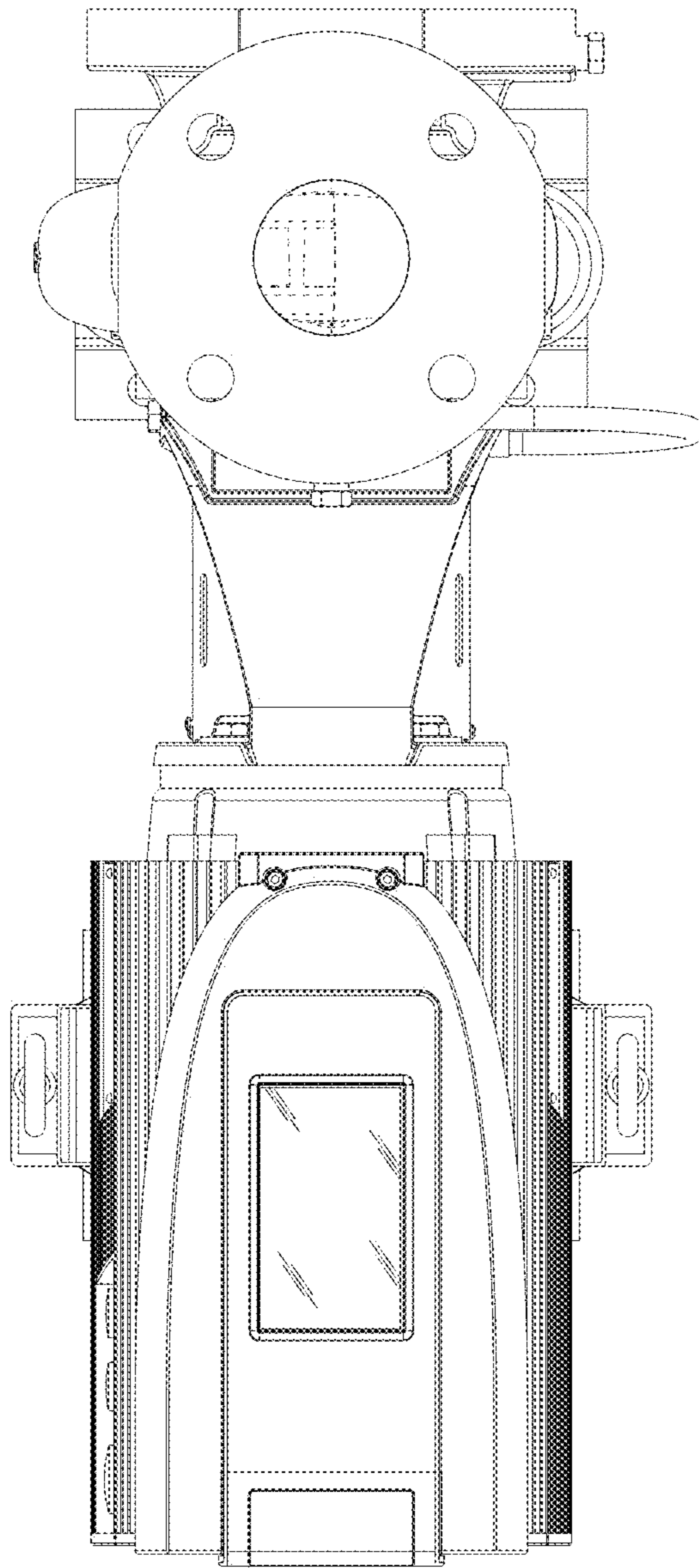


FIG.15

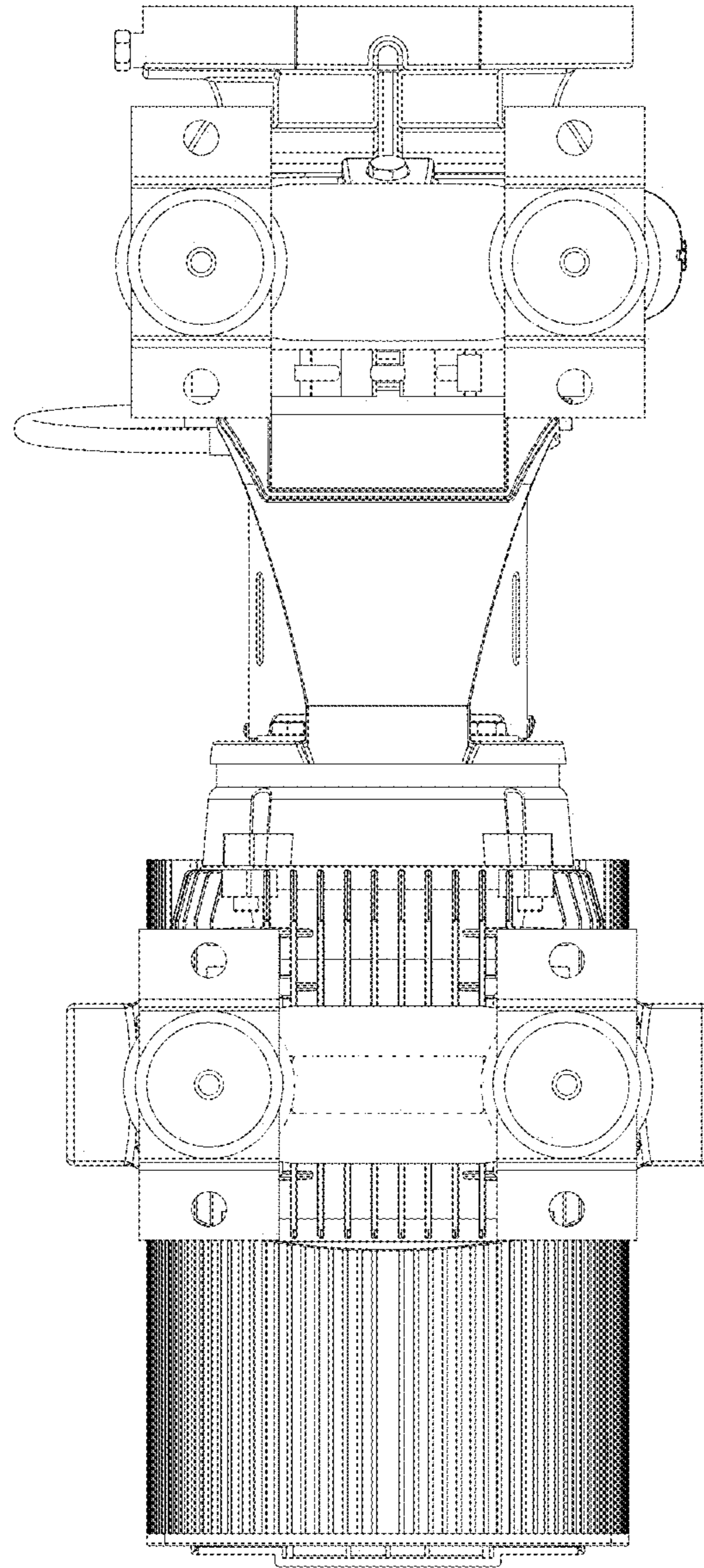


FIG.16

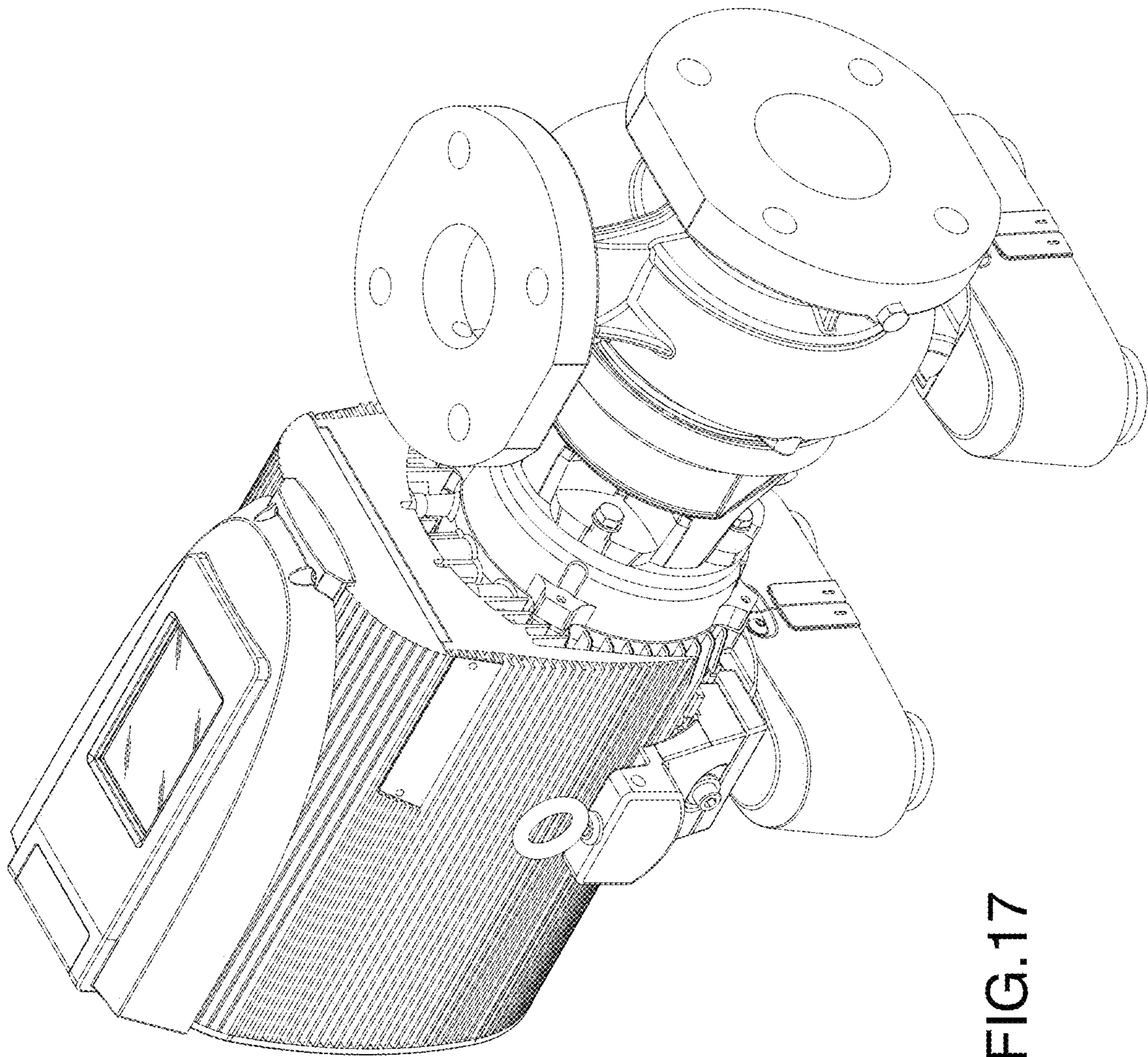


FIG.17

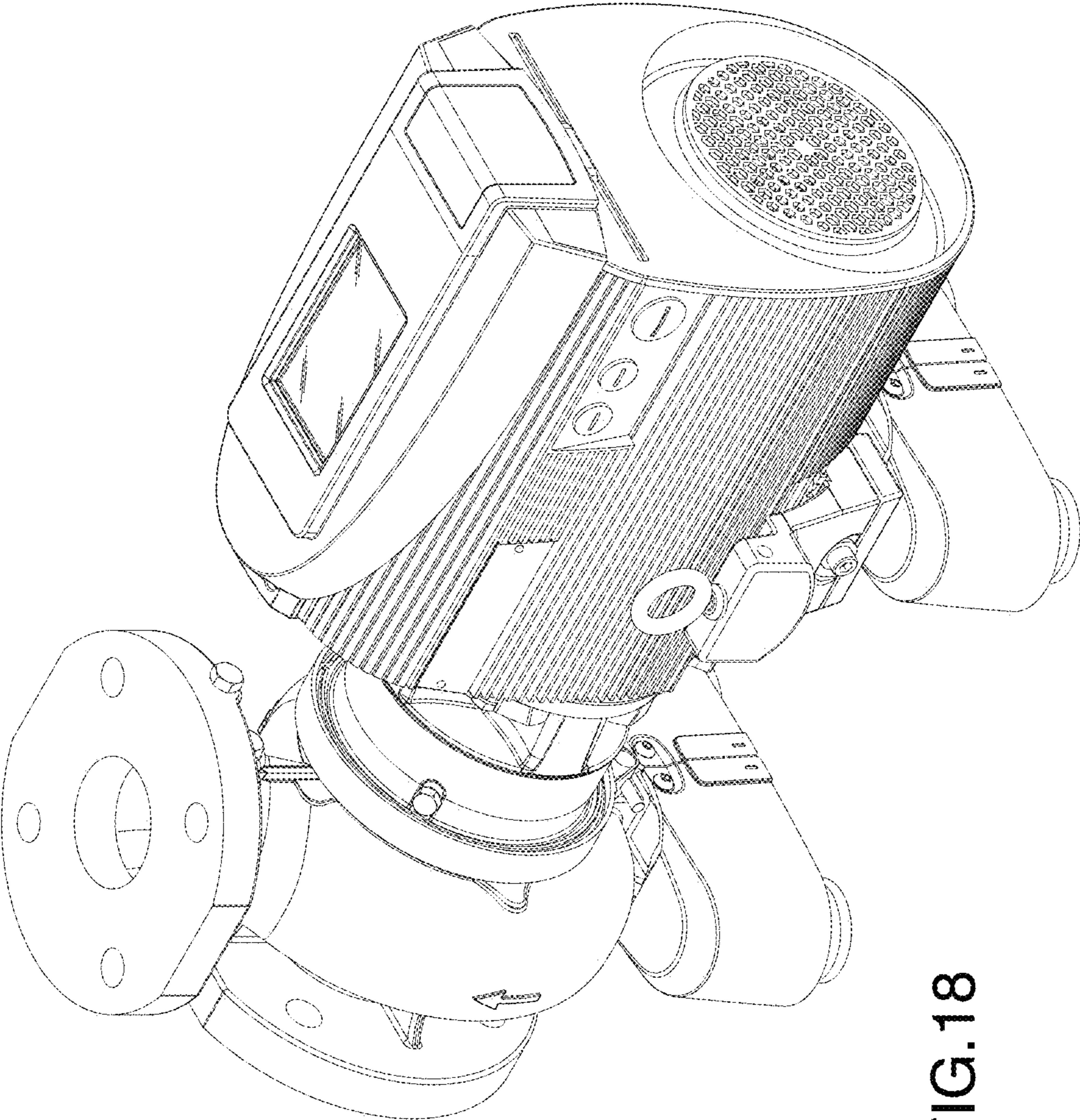


FIG.18

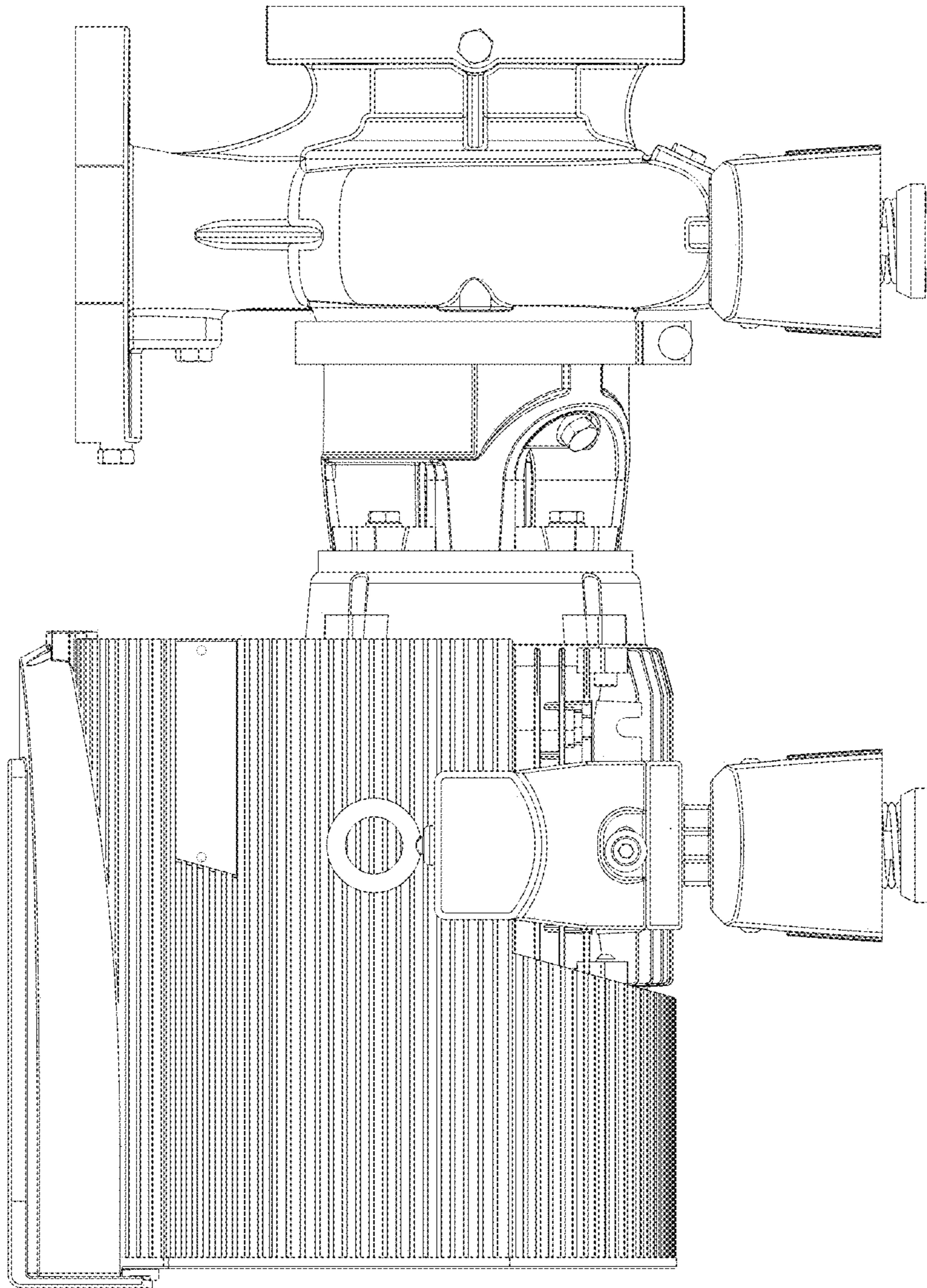


FIG.19

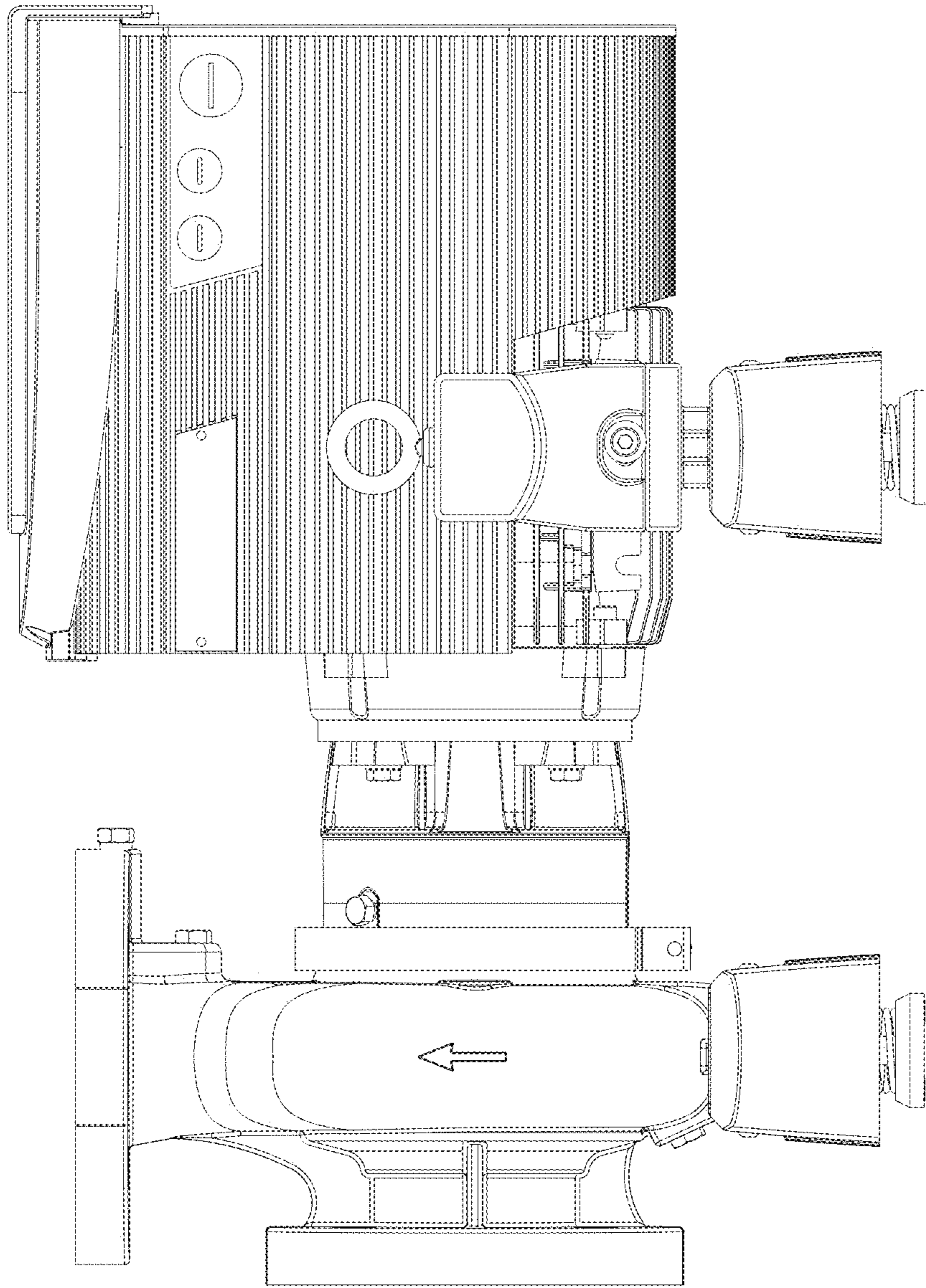


FIG.20

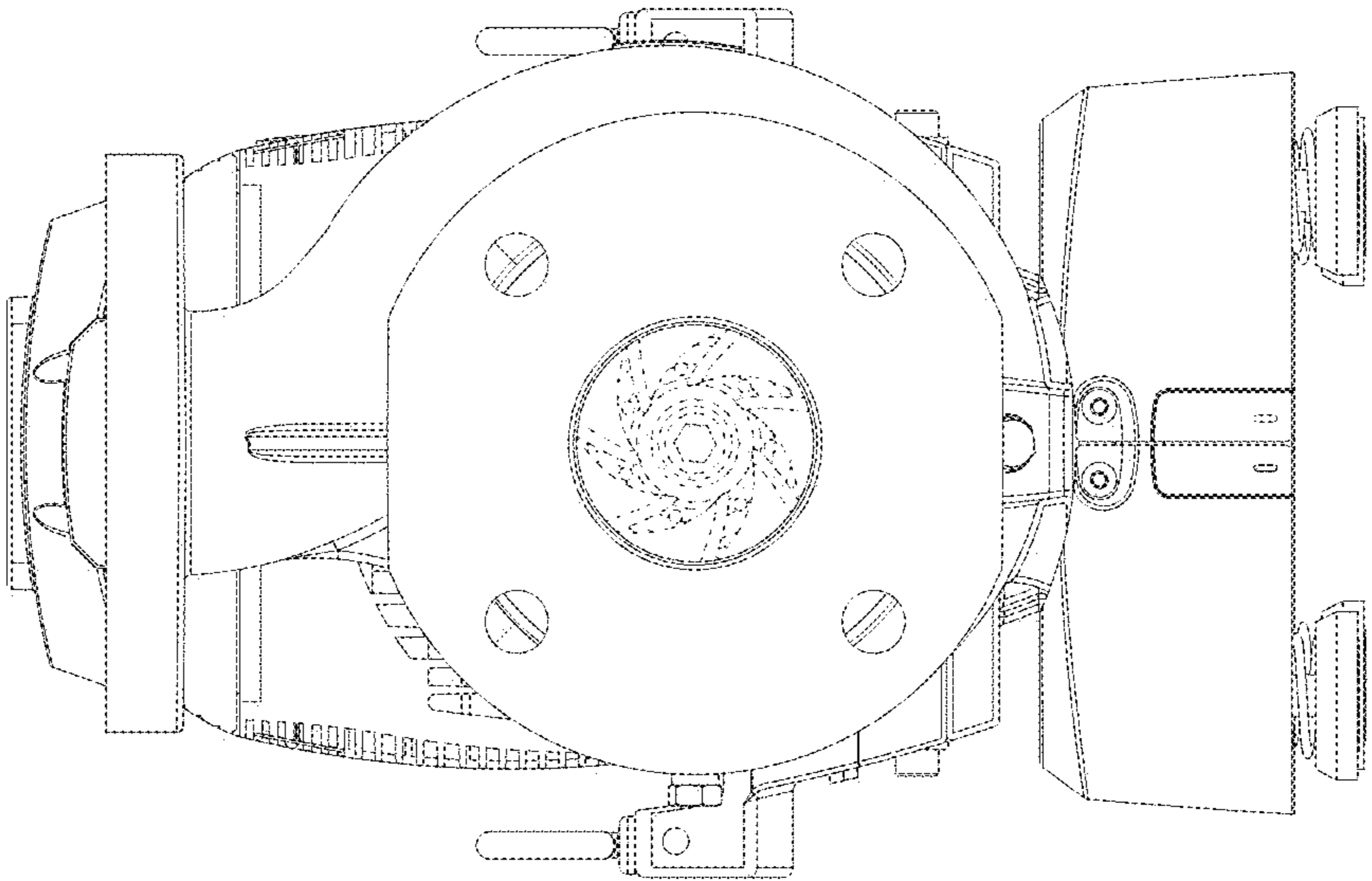


FIG.21

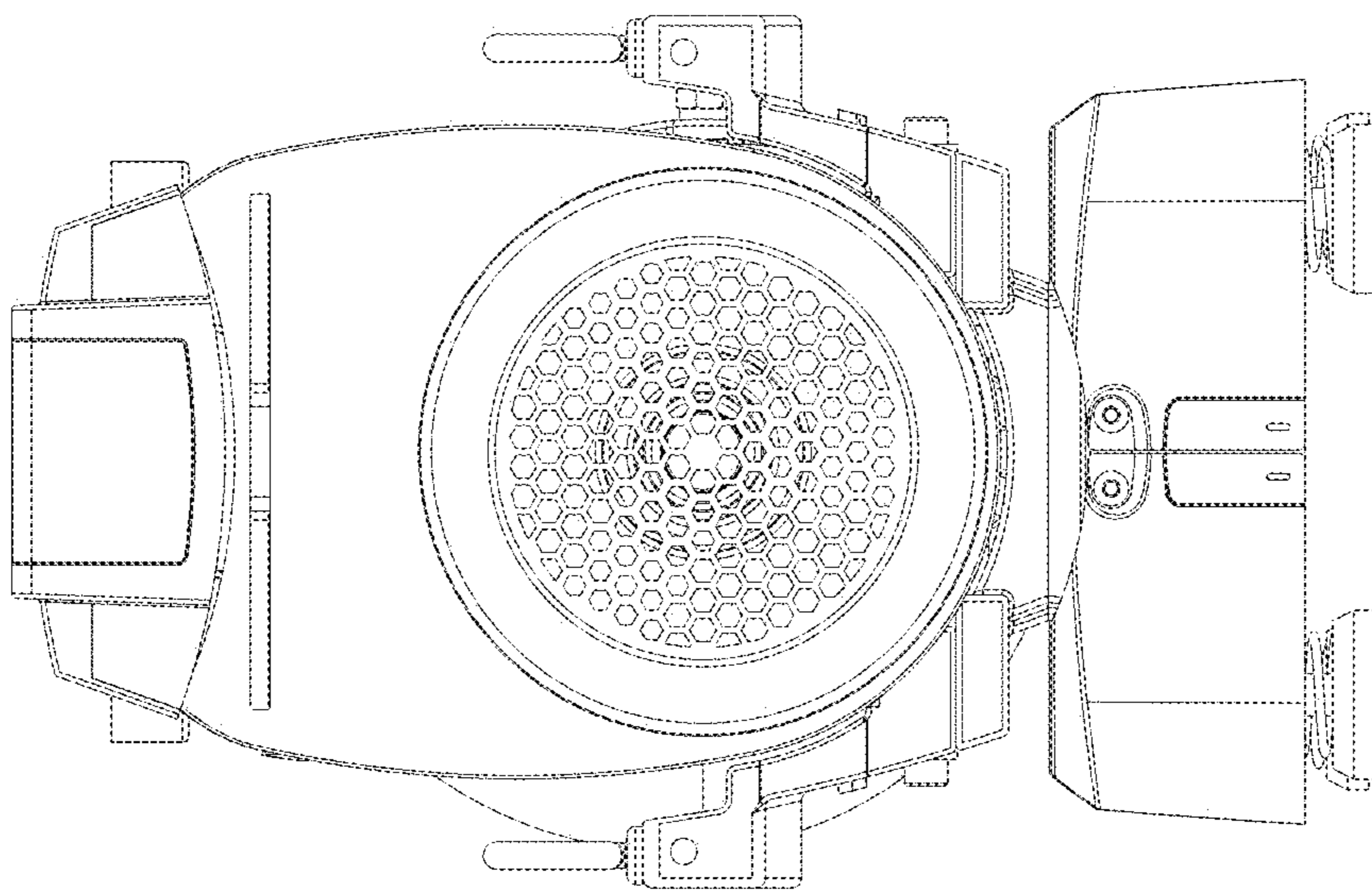


FIG.22

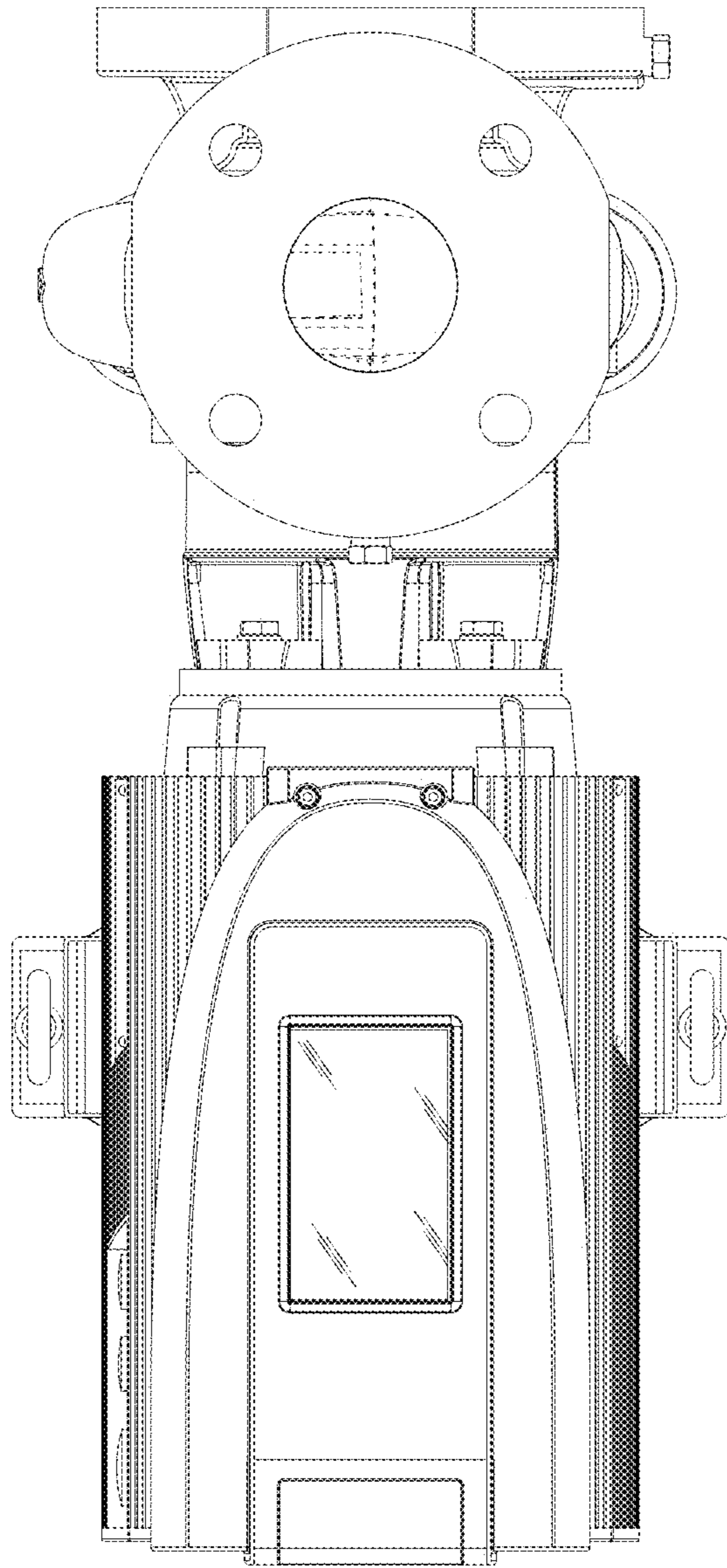


FIG.23

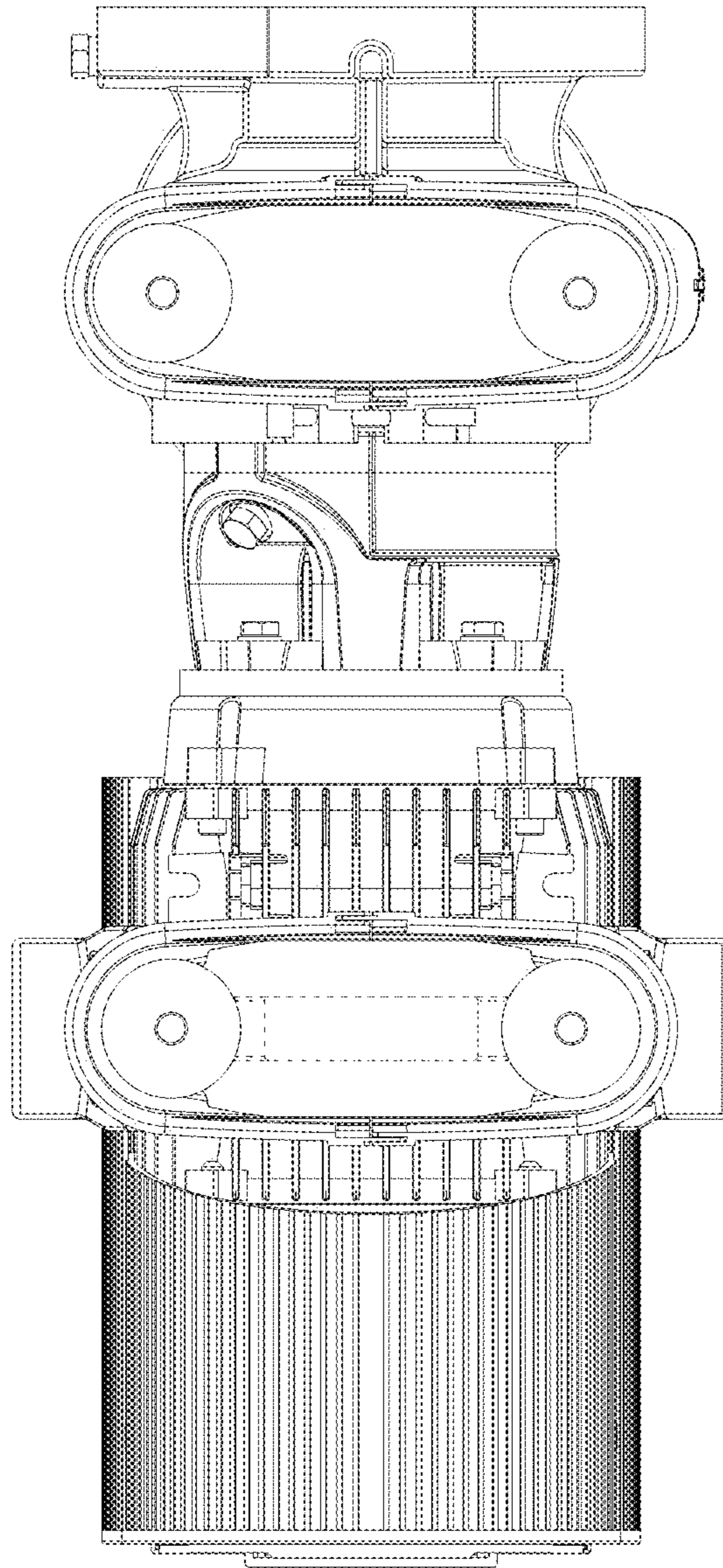


FIG.24

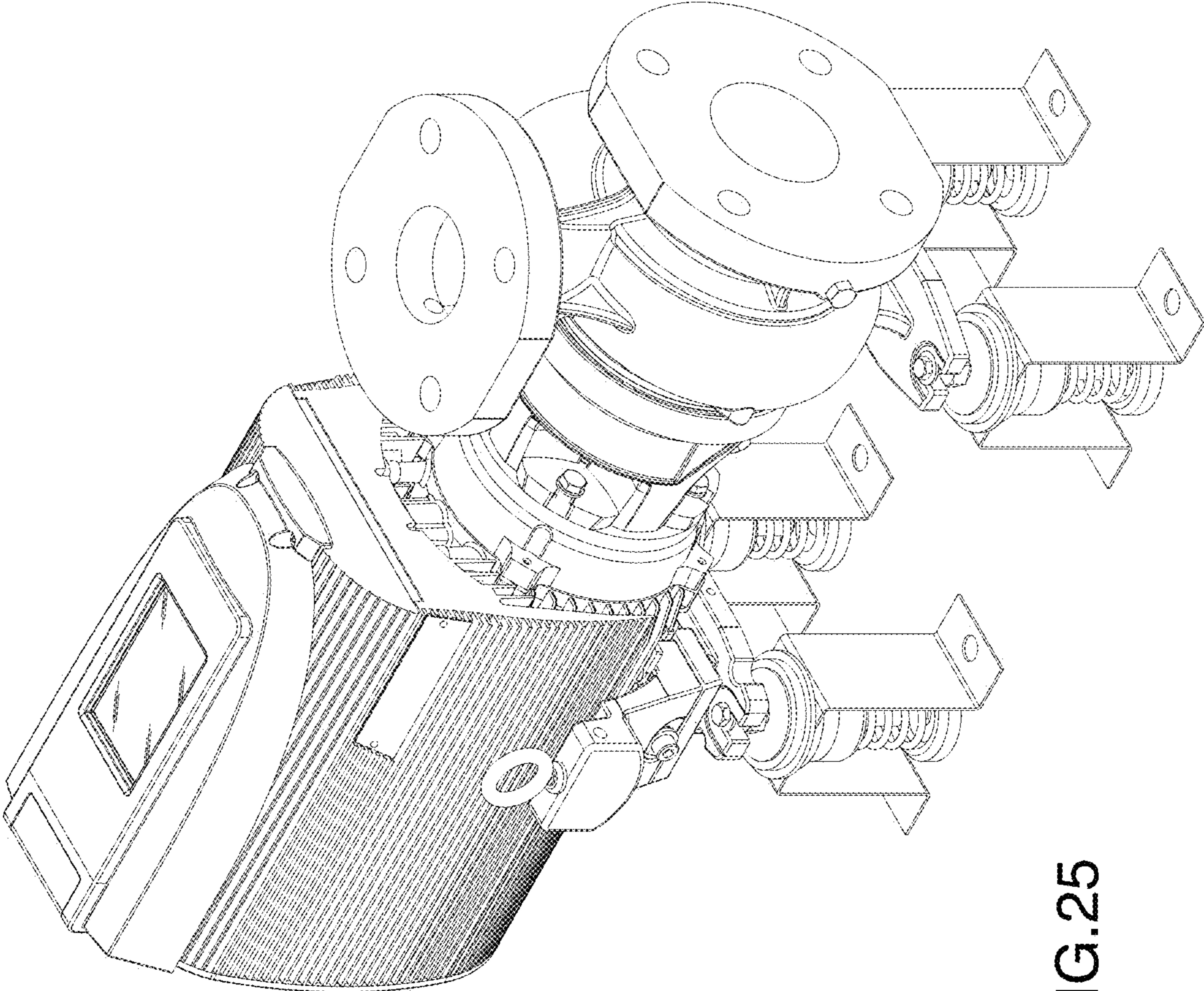


FIG.25

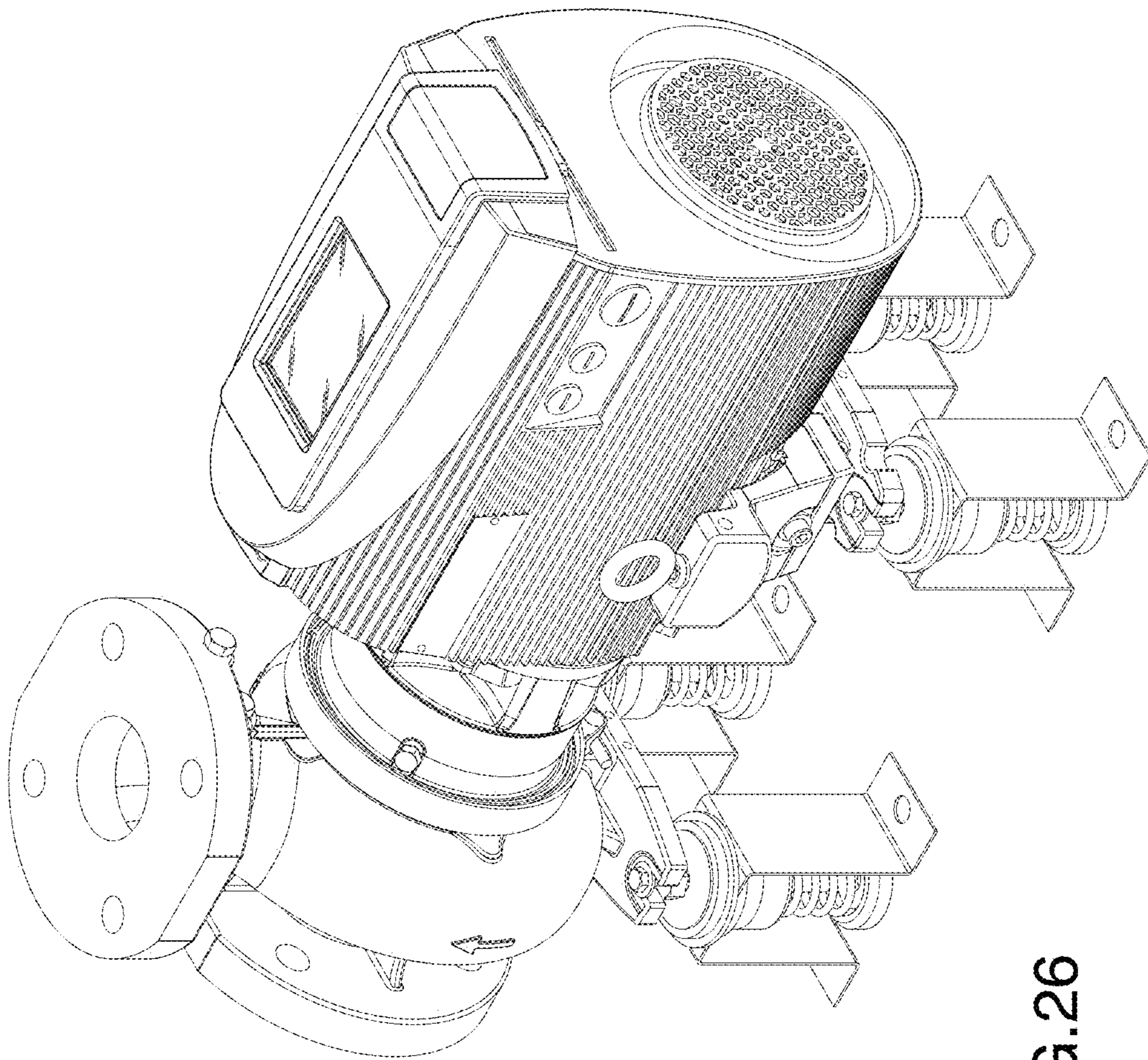


FIG.26

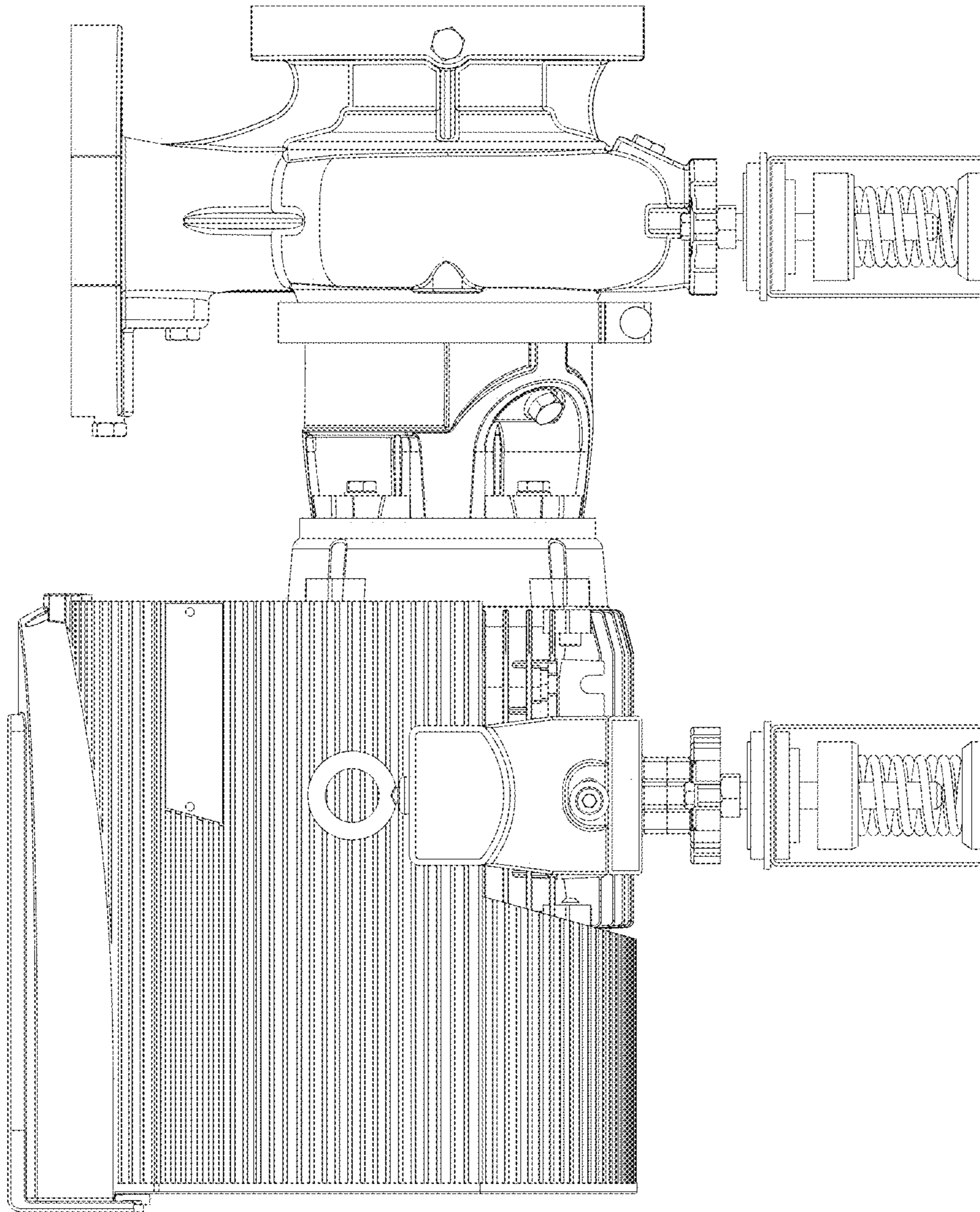


FIG.27

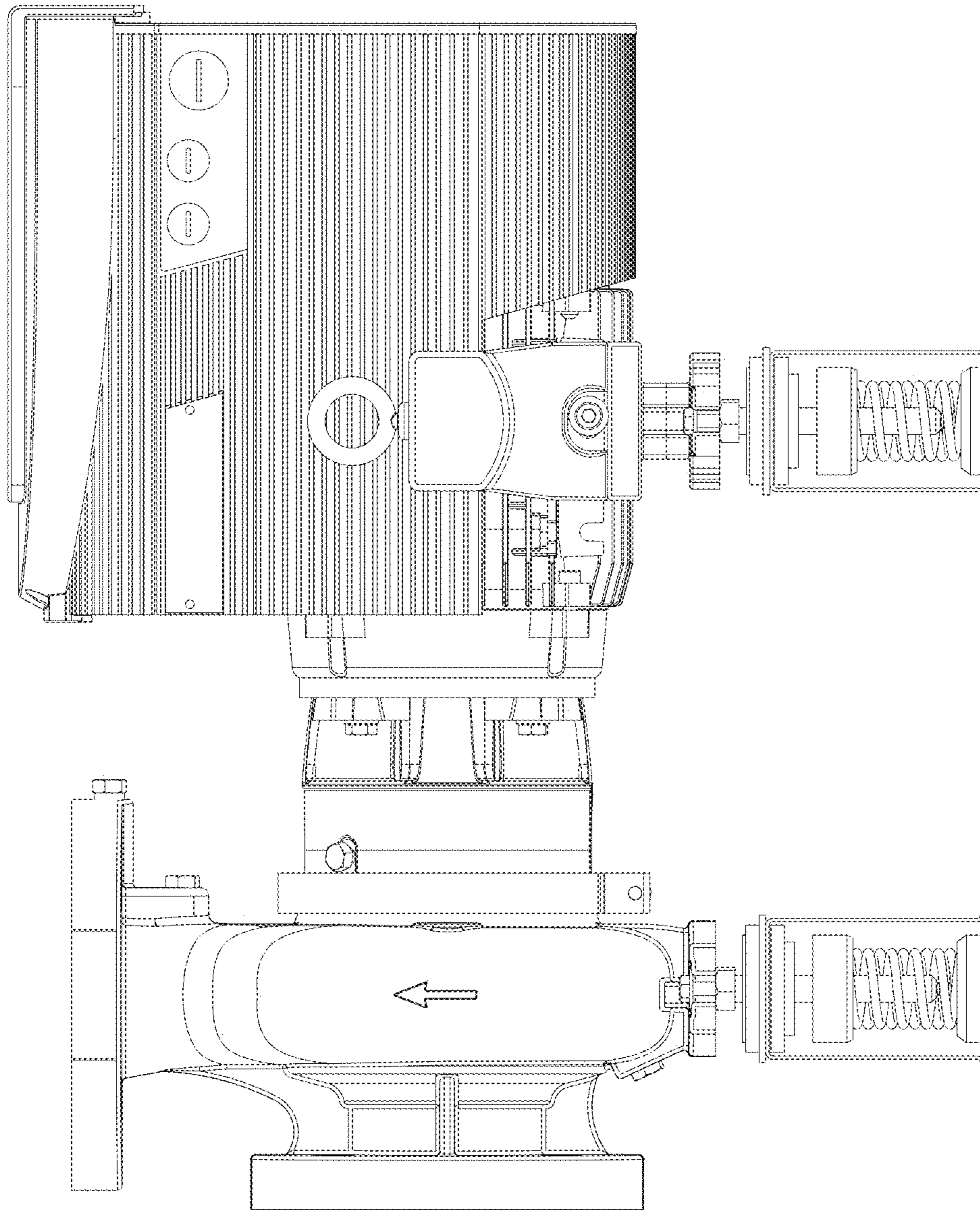


FIG.28

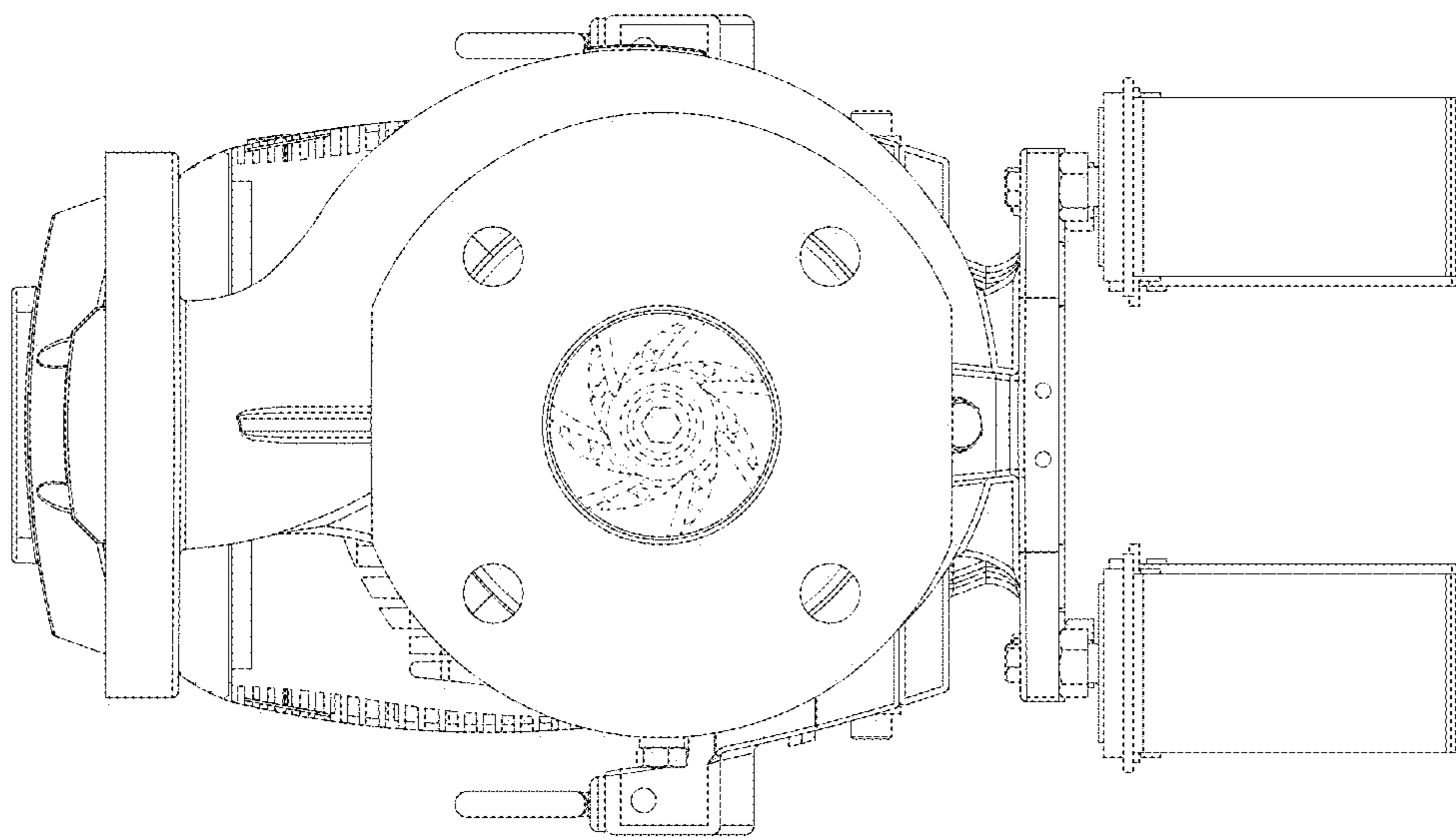


FIG.29

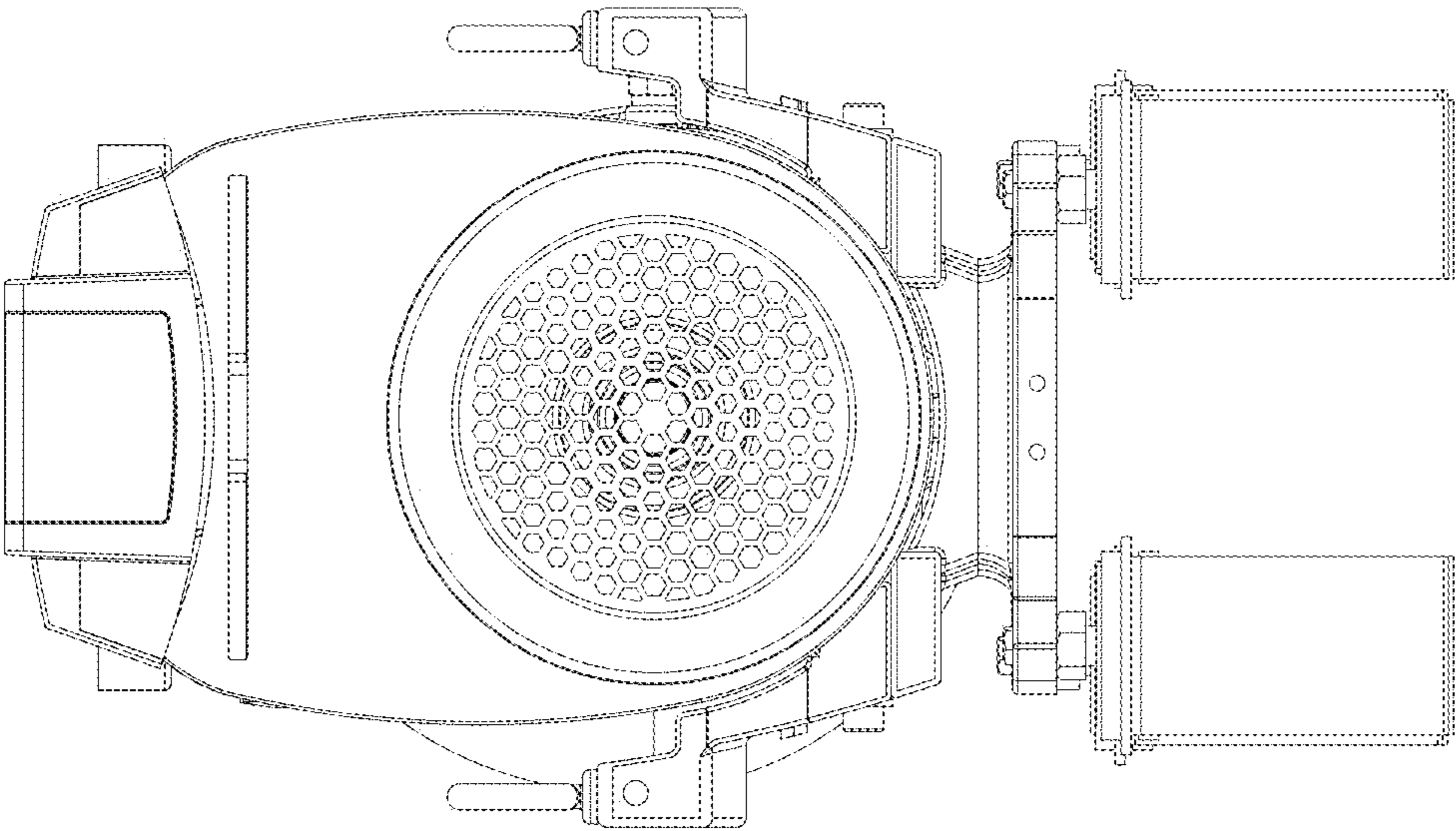


FIG.30

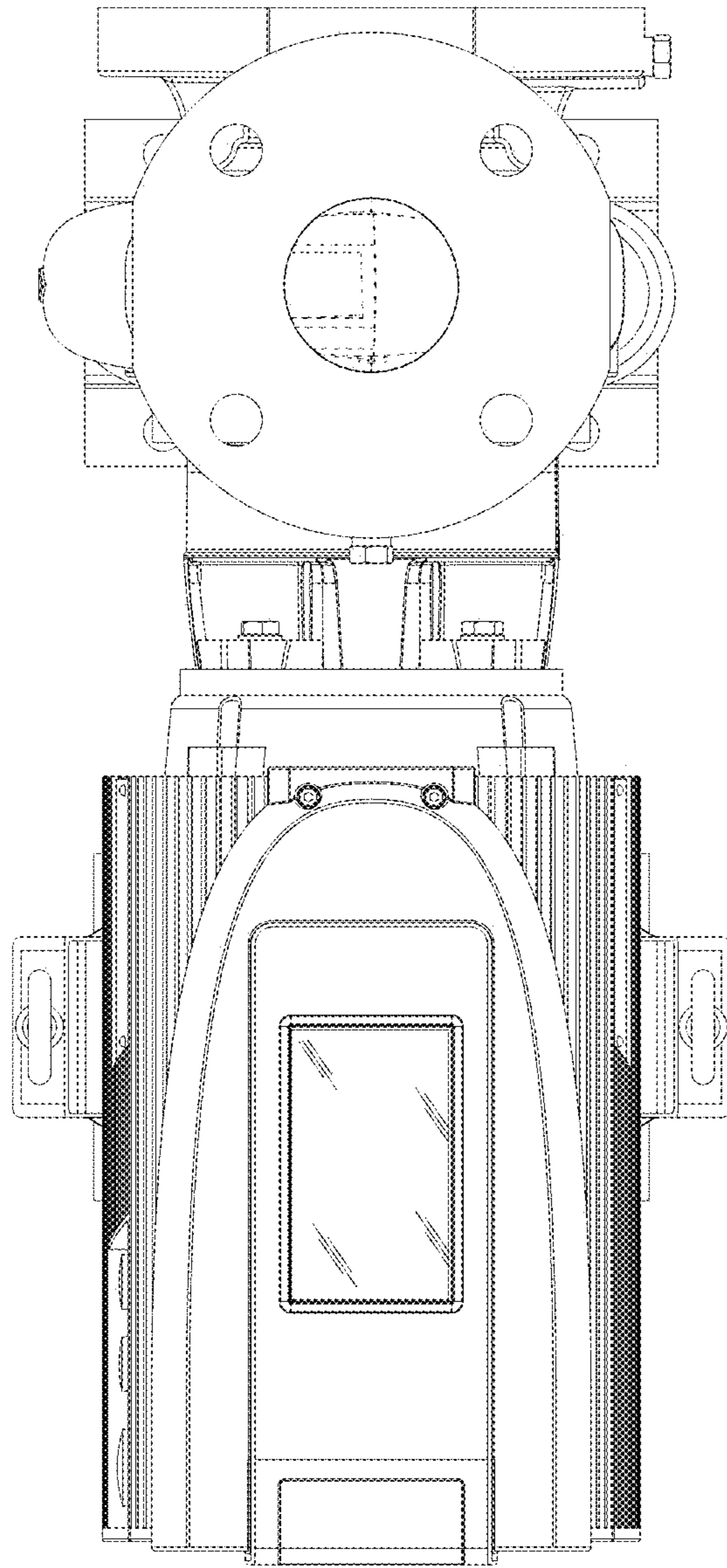


FIG.31

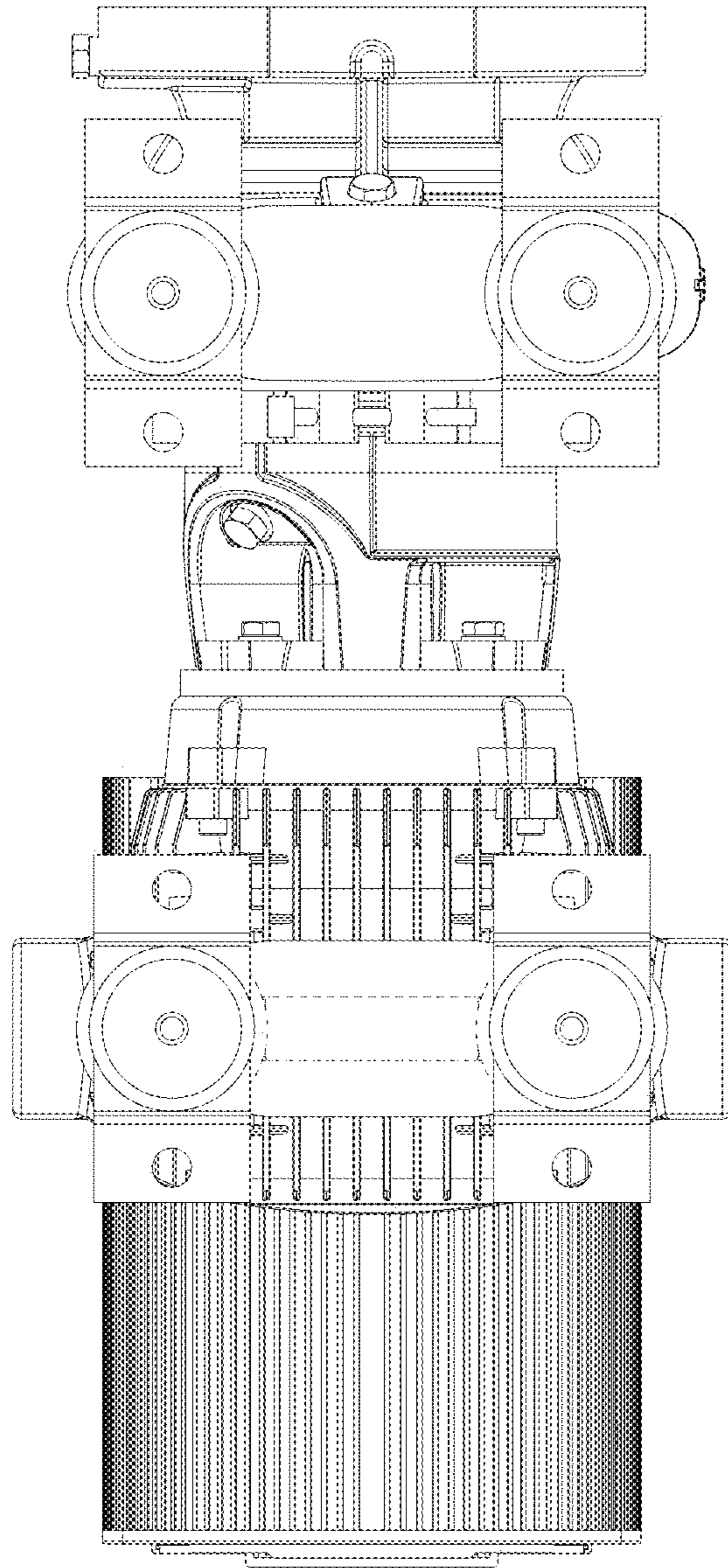


FIG.32