



US00D888102S

(12) **United States Design Patent**
O'Hare

(10) **Patent No.:** **US D888,102 S**

(45) **Date of Patent:** **** Jun. 23, 2020**

(54) **FLAT AIR MANIFOLD AND CONNECTOR**

Primary Examiner — Sheryl Lane

Assistant Examiner — Mark T Philipps

(71) Applicant: **Curtis O'Hare**, Cabot, AR (US)

(72) Inventor: **Curtis O'Hare**, Cabot, AR (US)

(57) **CLAIM**

(**) Term: **15 Years**

The ornamental design of a swivel flat air manifold and connector, as shown and described.

(21) Appl. No.: **29/653,897**

DESCRIPTION

(22) Filed: **Jun. 19, 2018**

(51) **LOC (12) Cl.** **15-01**

(52) **U.S. Cl.**
USPC **D15/5**

(58) **Field of Classification Search**

USPC D15/5; D8/349, 382; D13/161;
D24/133, 222, 233

CPC H01H 85/20; H01R 31/00
See application file for complete search history.

FIG. 1 is a top perspective view of the invention.
FIG. 2 is a top exploded perspective view of the invention.
FIG. 3 is a top plan view of the invention.
FIG. 4 is a left side view of the invention.
FIG. 5 is a front elevation of the invention.
FIG. 6 is a rear elevation of the invention.
FIG. 7 is a top elevation of the main body portion of the invention.
FIG. 8 is a left side elevation of the main body portion of the invention.
FIG. 9 is a bottom plan view of the main body portion of the invention.
FIG. 10 is a front elevation of the main body portion of the invention.
FIG. 11 is a rear elevation of the main body portion of the invention.
FIG. 12 is a top plan view of the connector portion of the invention.
FIG. 13 is a front elevation of the connector portion of the invention.
FIG. 14 is a rear elevation of the connector portion of the invention; and,
FIG. 15 is a left side of the connector portion of the invention.
The left and right sides of the invention are mirror images of each other, and thus only the left side views are shown in the drawings. The top and bottom of the assembled invention are identical, and thus only the top view is shown in the drawings.

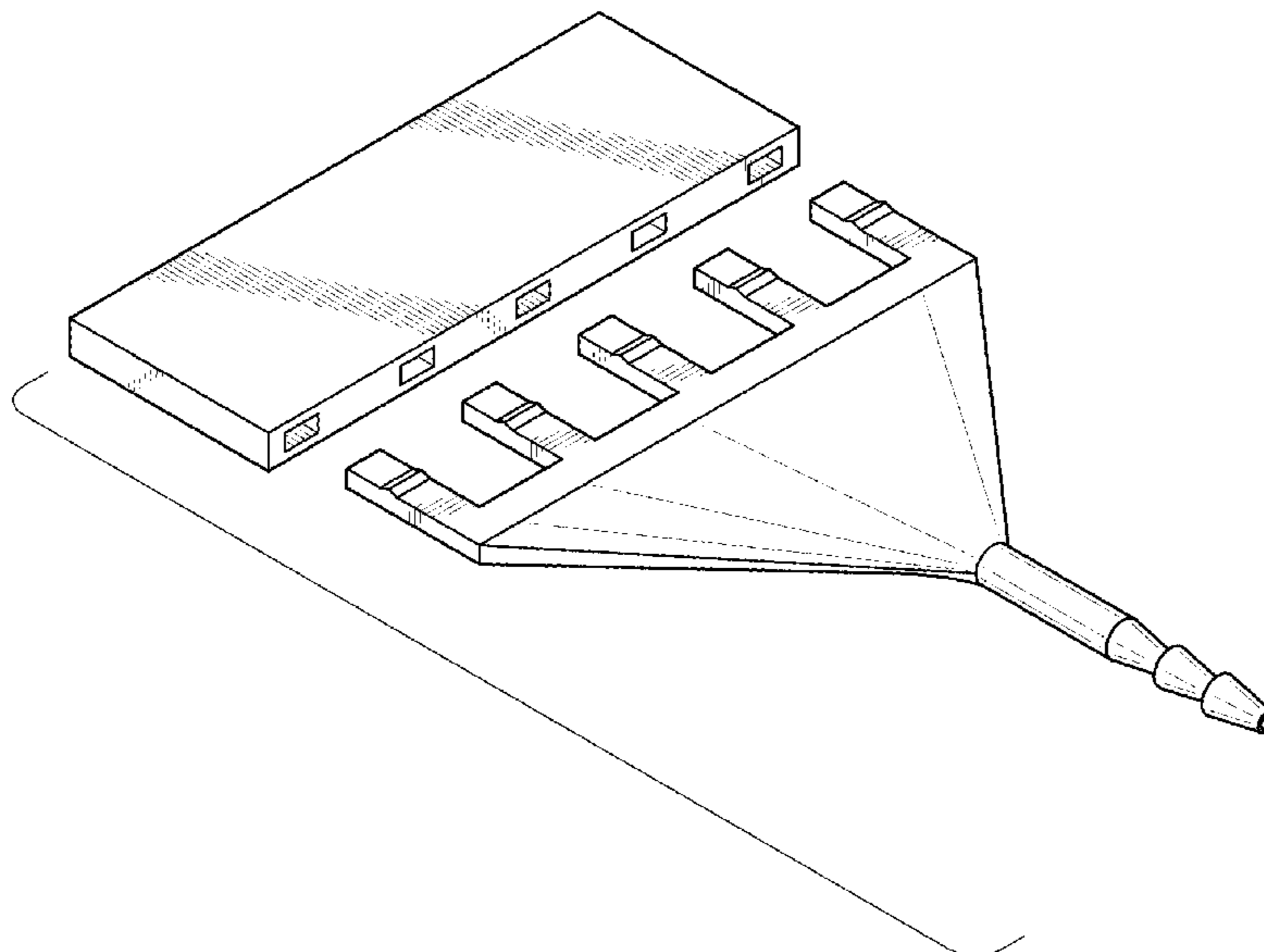
(56) **References Cited**

U.S. PATENT DOCUMENTS

D57,975 S *	5/1921	Hollins et al.	D13/161
4,944,697 A *	7/1990	Dorman	H01H 85/0417 337/255
D367,713 S *	3/1996	La Motte	D10/81
D373,633 S *	9/1996	La Motte	436/809
5,757,998 A *	5/1998	Thatcher	G02B 6/4201 385/75
5,972,188 A *	10/1999	Rice	G01N 27/44743 204/456
6,544,395 B1 *	4/2003	Merchant	G01N 27/44743 204/456
6,716,065 B1 *	4/2004	Brooks	H01H 85/205 439/620.27
D560,172 S *	1/2008	Ohta	D13/161
D719,277 S *	12/2014	Miller	D24/233
9,062,879 B2 *	6/2015	O'Donnell	F23D 14/08
9,475,459 B2 *	10/2016	Tieman	H01H 85/46
D806,894 S *	1/2018	Nelson	D24/233
2007/0190862 A1 *	8/2007	Reid	G06F 1/1616 439/640

(Continued)

1 Claim, 5 Drawing Sheets



(56)

References Cited

U.S. PATENT DOCUMENTS

2007/0202744 A1* 8/2007 Dummel H01R 13/113
439/607.01
2012/0243156 A1* 9/2012 Cheng G06F 13/4022
361/679.02
2012/0247595 A1* 10/2012 Raftis F16K 15/147
137/883
2015/0210176 A1* 7/2015 Hauptenbuchner B60L 53/14
320/109
2015/0311371 A1* 10/2015 Krishnamoorthy
H01L 31/0504
136/256
2016/0041123 A1* 2/2016 Guadagno G01N 27/44743
204/456
2016/0268717 A1* 9/2016 Tamaki H01R 12/721
2016/0285189 A1* 9/2016 Higgy H01R 43/16
2017/0040777 A1* 2/2017 von zur Muehlen
H01R 13/684
2017/0170600 A1* 6/2017 Tezgurler H01R 13/6275
2018/0294127 A1* 10/2018 Ku H01H 85/2015
2020/0071098 A1* 3/2020 Juscus B65G 67/24

* cited by examiner

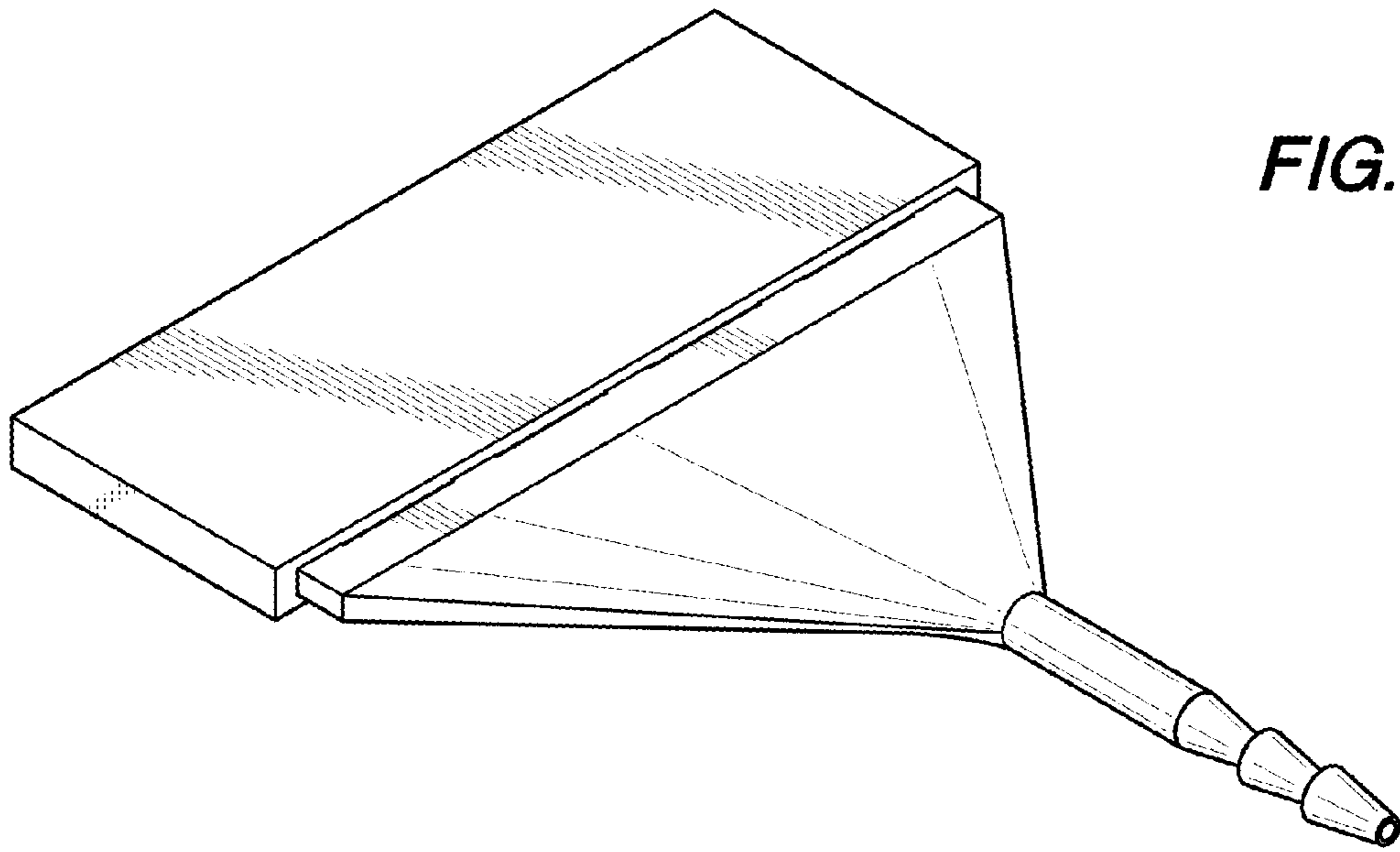


FIG. 1

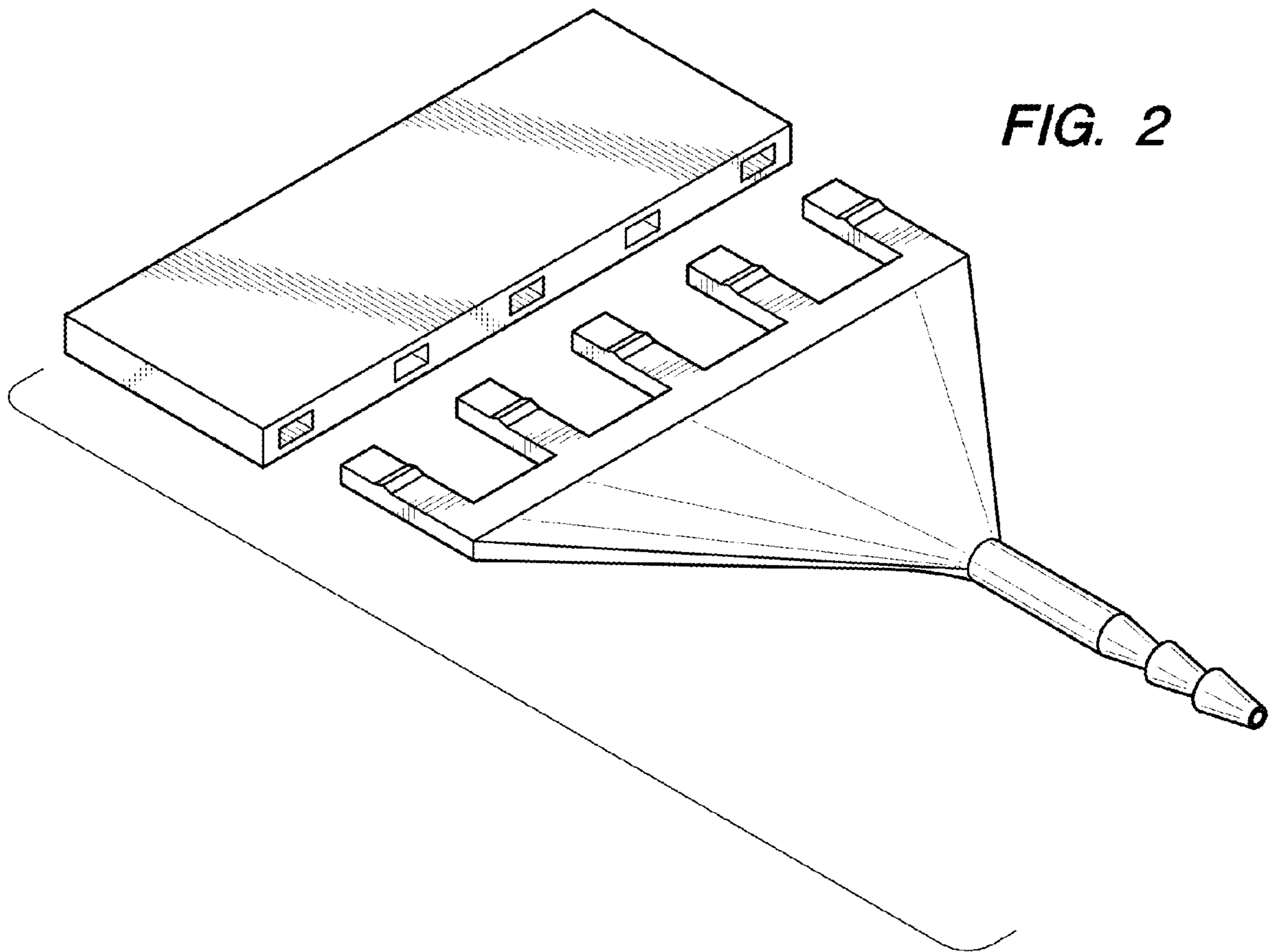


FIG. 2

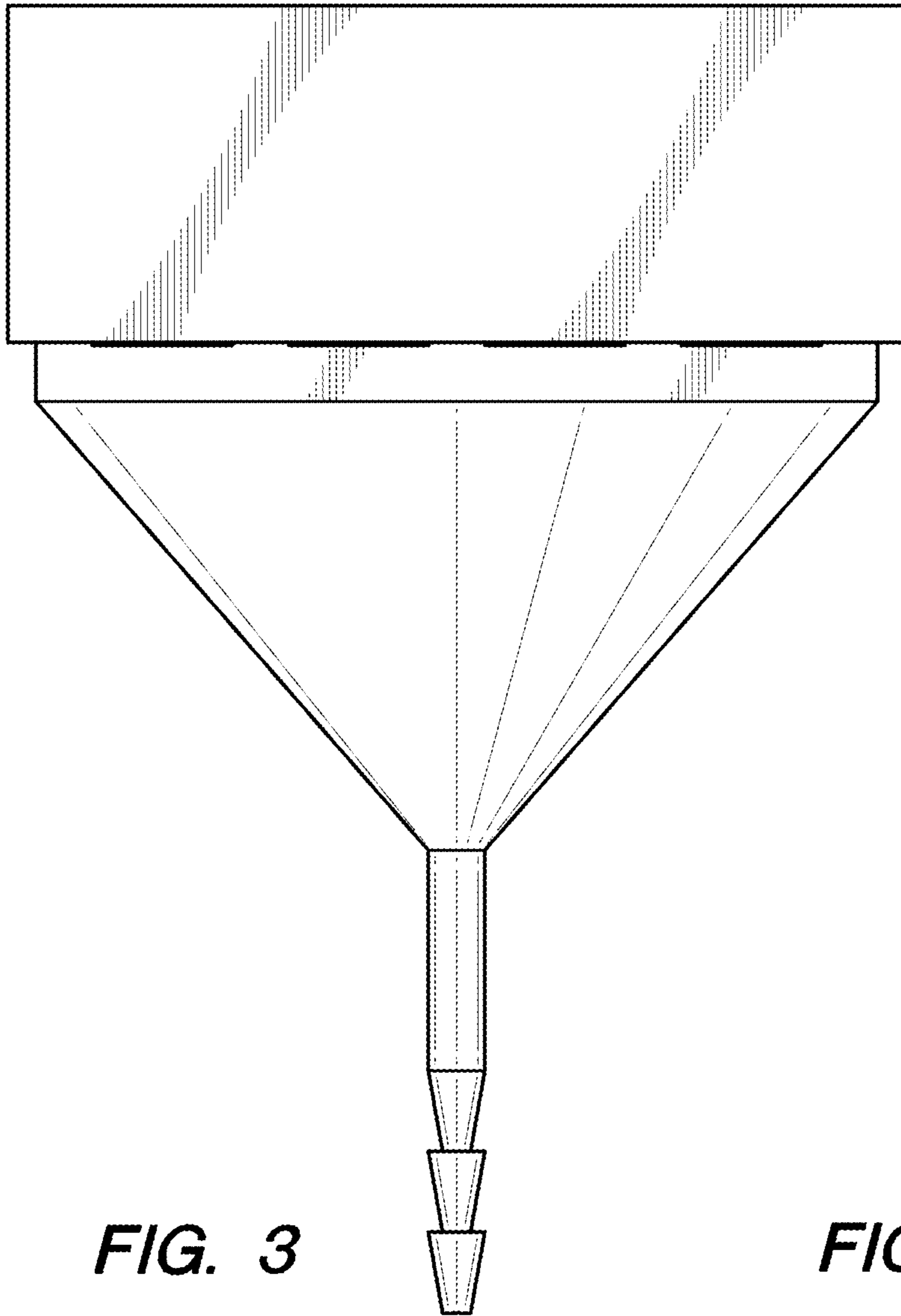


FIG. 3

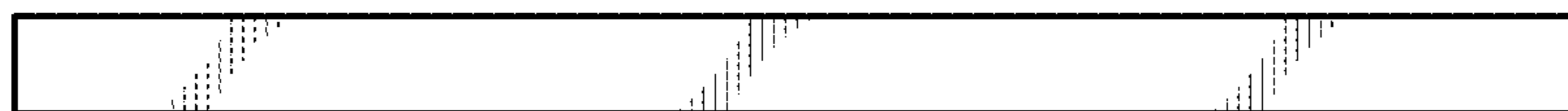


FIG. 4

FIG. 5



FIG. 6



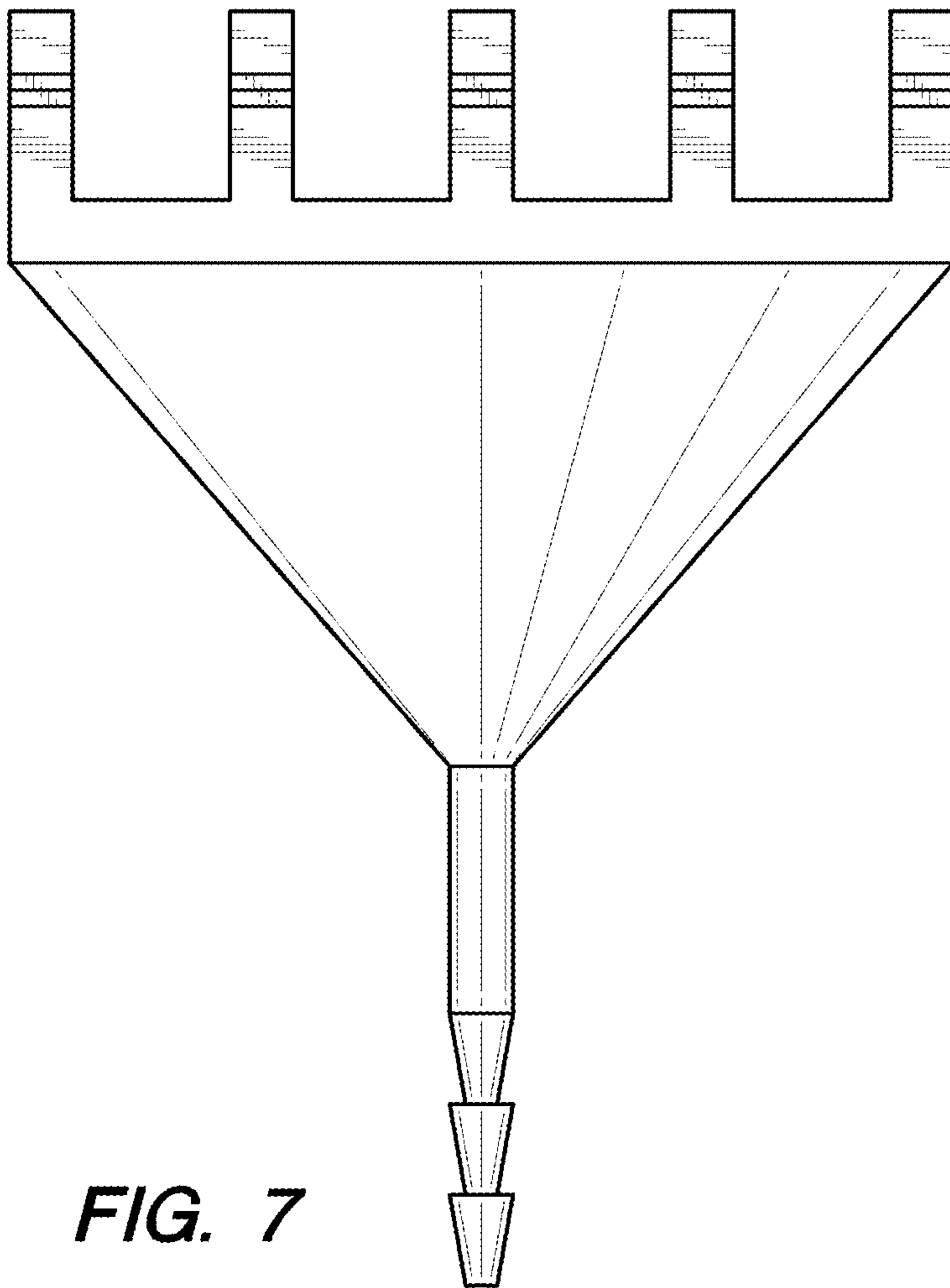


FIG. 7

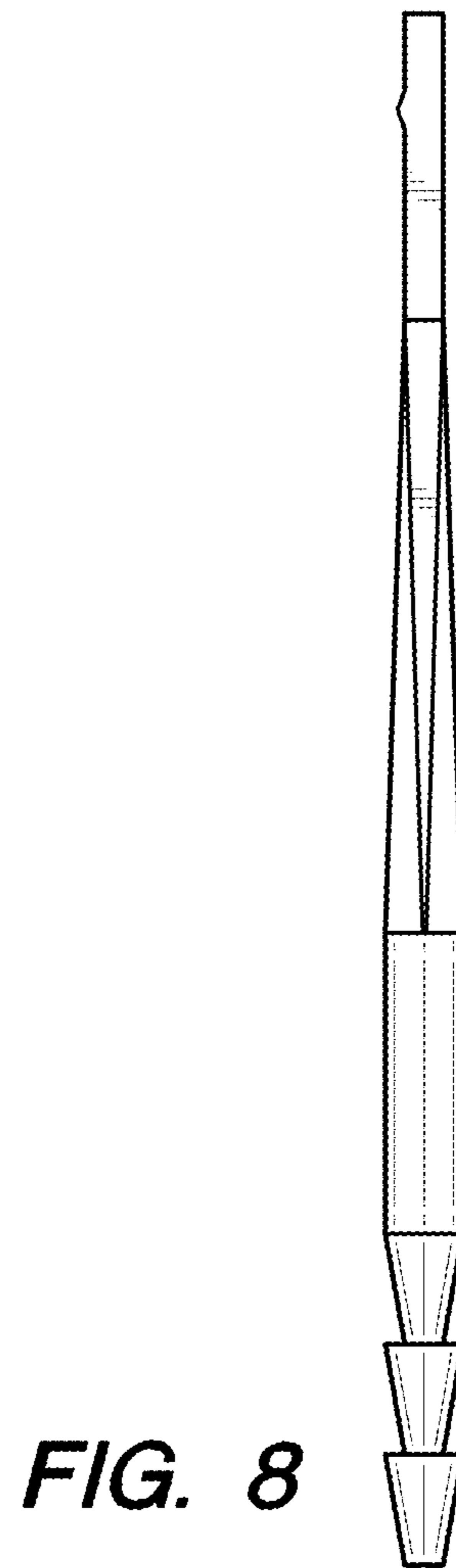


FIG. 8

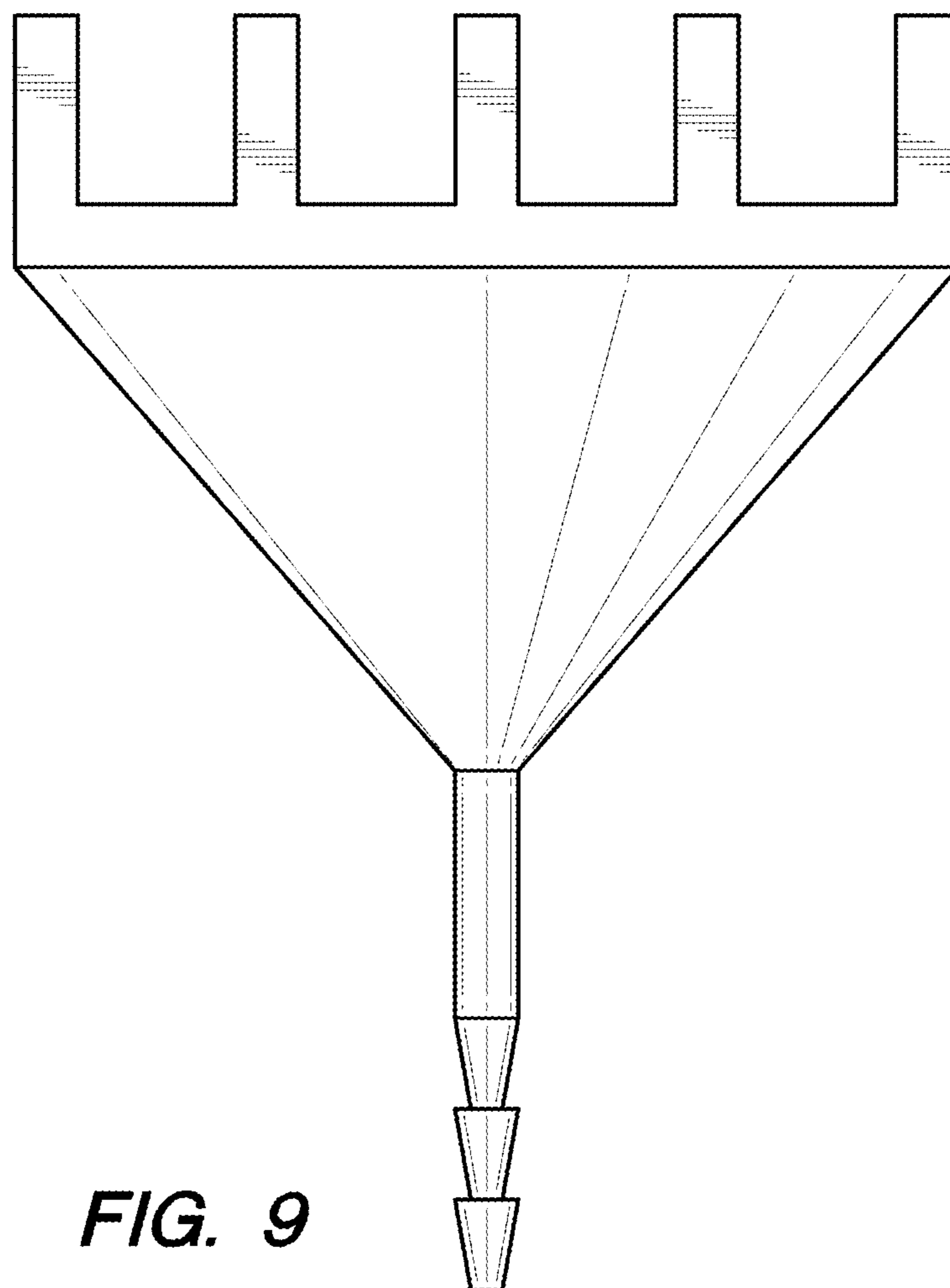


FIG. 10



FIG. 11



FIG. 12

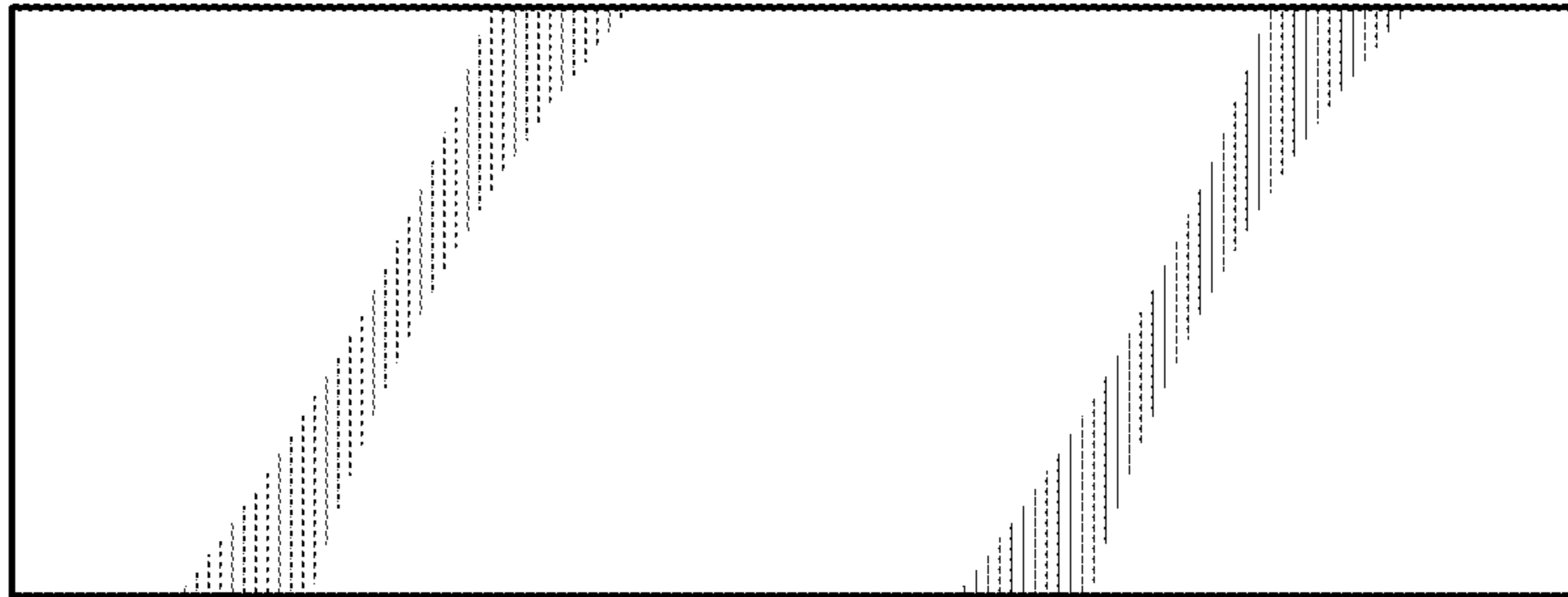


FIG. 13



FIG. 14



FIG. 15

