



US00D888101S

(12) **United States Design Patent**
Choi

(10) **Patent No.:** **US D888,101 S**
(45) **Date of Patent:** **** Jun. 23, 2020**

- (54) **AV PLAYER**
- (71) Applicant: **SAMSUNG ELECTRONICS CO., LTD.**, Suwon-si, Gyeonggi-do (KR)
- (72) Inventor: **Gyoo-Sang Choi**, Suwon-si (KR)
- (73) Assignee: **SAMSUNG ELECTRONICS CO., LTD.**, Gyeonggi-Do (KR)

D656,956 S *	4/2012	Lee	D14/500
D659,713 S *	5/2012	Jung	D14/500
D703,697 S *	4/2014	Onoue	D14/498
D727,968 S *	4/2015	Onoue	D14/500
D743,939 S *	11/2015	Seong	D14/214
D746,338 S *	12/2015	Kim	D14/502
D805,498 S *	12/2017	Jeon	G06F 1/1601 D14/204
D828,396 S *	9/2018	Choi	D14/502

- (**) Term: **15 Years**
- (21) Appl. No.: **29/654,006**
- (22) Filed: **Jun. 20, 2018**

FOREIGN PATENT DOCUMENTS

CN	302290013 S	1/2013
JP	D1256794 S	11/2005
JP	D1277605 S	7/2006
JP	D1331080 S	5/2008
JP	D1478100 S	9/2013

* cited by examiner

Primary Examiner — Sandra L Morris
(74) *Attorney, Agent, or Firm* — Cantor Colburn LLP

(30) **Foreign Application Priority Data**

Jan. 5, 2018 (KR) 30-2018-0000853

- (51) **LOC (12) Cl.** **14-03**
- (52) **U.S. Cl.**
USPC **D14/500**

- (58) **Field of Classification Search**
USPC D12/192, 195, 415, 420; D14/496,
D14/498-511, 137, 154, 157, 168-171,
D14/188-198, 257-258; 248/27.1, 27.3,
248/558; 455/347, 350
CPC B60R 11/02; B60K 37/04; B60K 37/06;
G11B 17/02; G11B 17/04; H04R 1/345;
H04F 5/64; G06F 1/16; G06F 1/1601
See application file for complete search history.

(57) **CLAIM**

The ornamental design for an AV player, as shown and described.

DESCRIPTION

FIG. 1 is a front perspective view of an AV player, showing my design;
 FIG. 2 is a front view thereof;
 FIG. 3 is a rear view thereof;
 FIG. 4 is a side view thereof;
 FIG. 5 is another side view thereof;
 FIG. 6 is a top view thereof;
 FIG. 7 is a bottom view thereof; and,
 FIG. 8 is a rear perspective view thereof.
 The broken lines illustrating portions of the AV player form no part of the claimed design.

(56) **References Cited**

U.S. PATENT DOCUMENTS

D580,385 S *	11/2008	Tejima	D14/500
D641,721 S *	7/2011	Moscovitch	G06F 1/1601 D14/125
D655,271 S *	3/2012	Park	D14/188

1 Claim, 8 Drawing Sheets

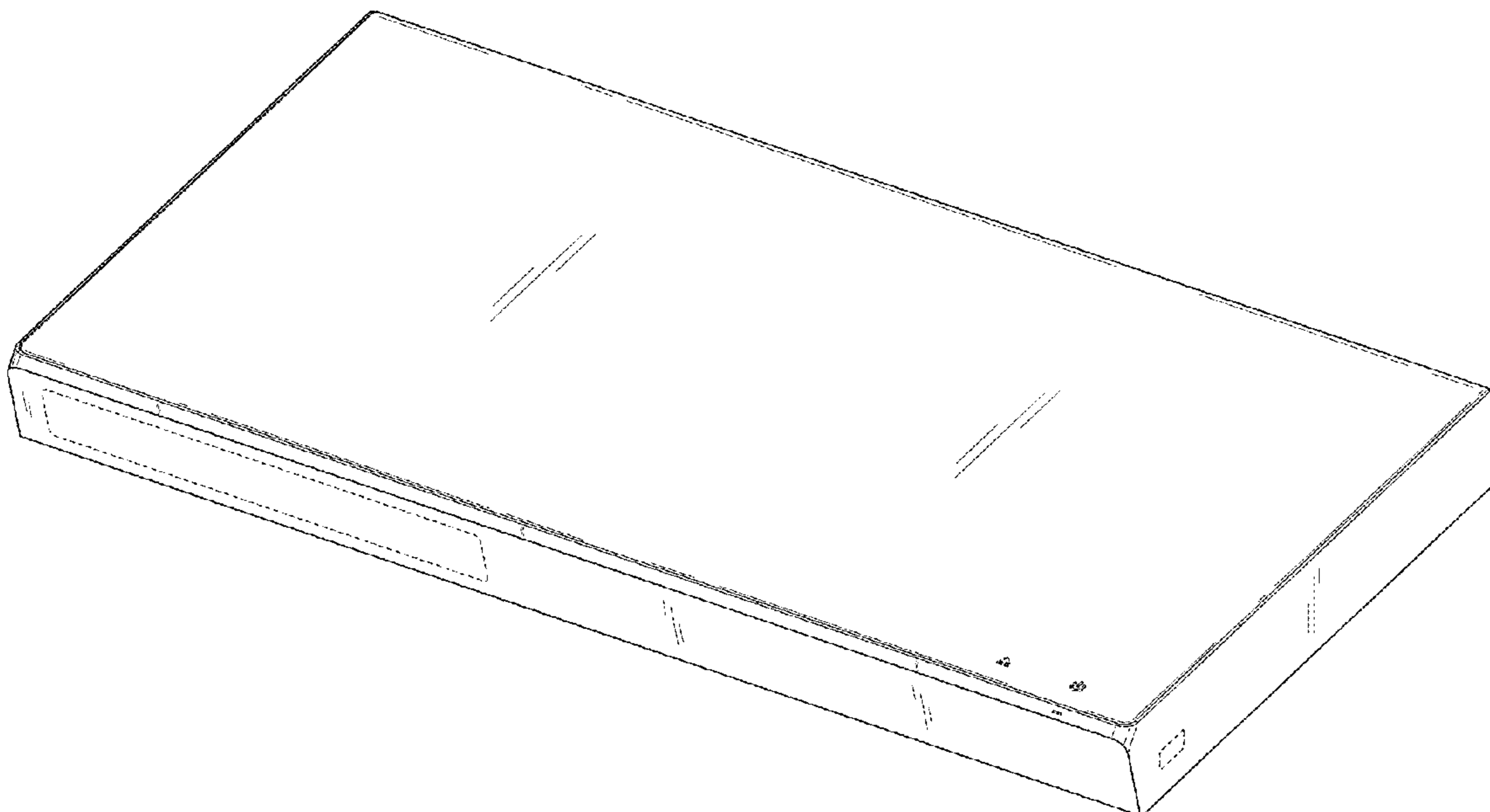


FIG. 1

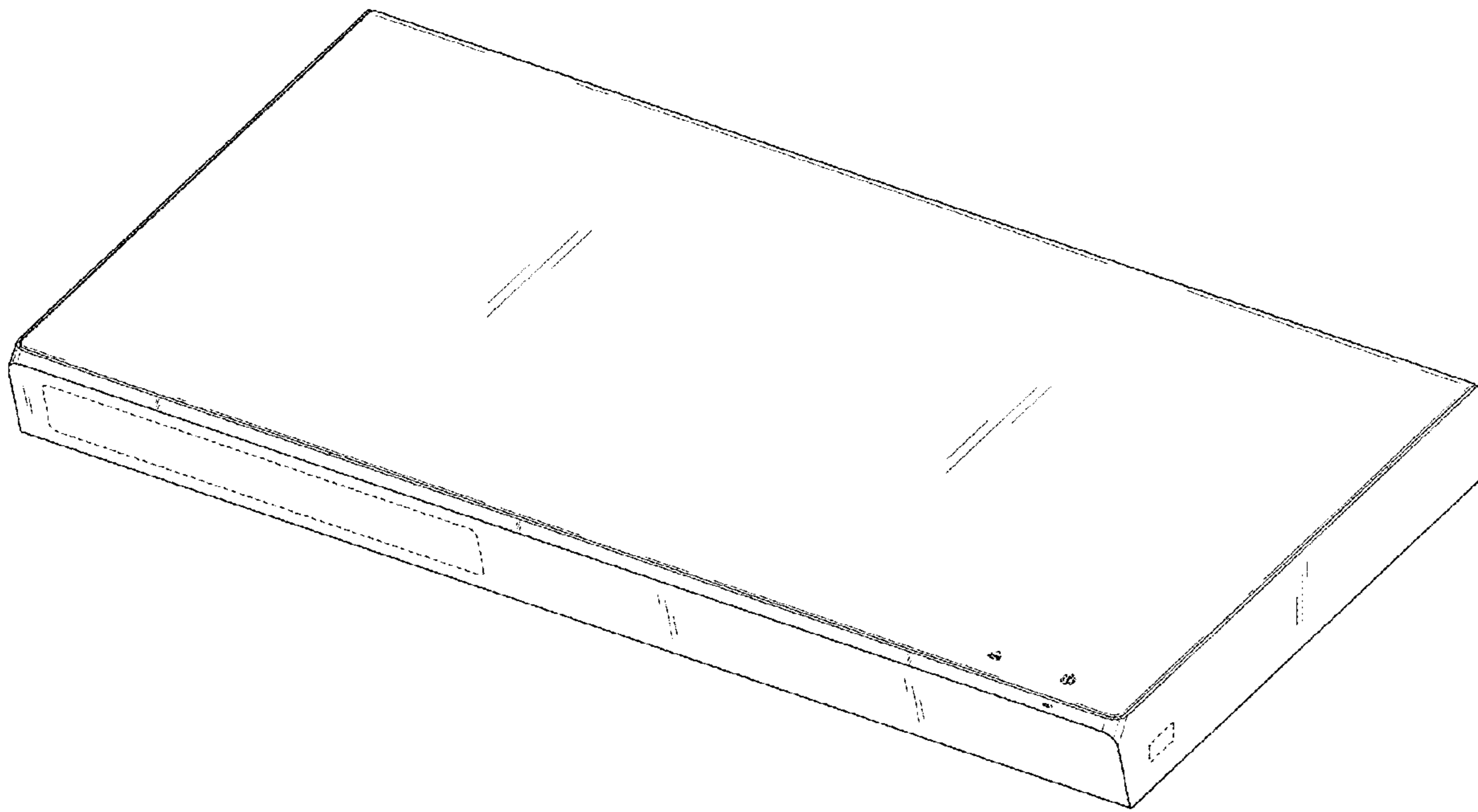


FIG. 2

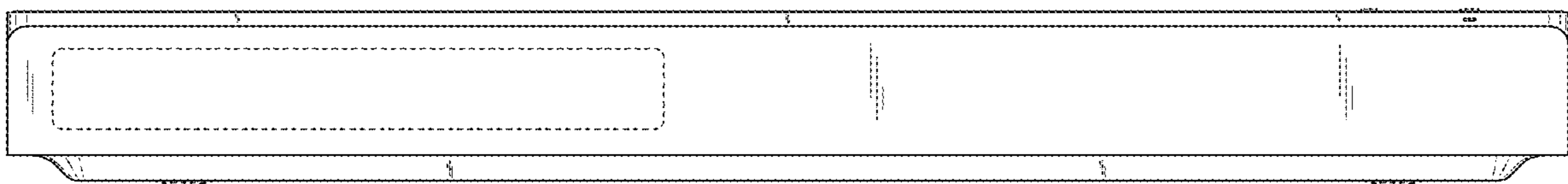


FIG. 3

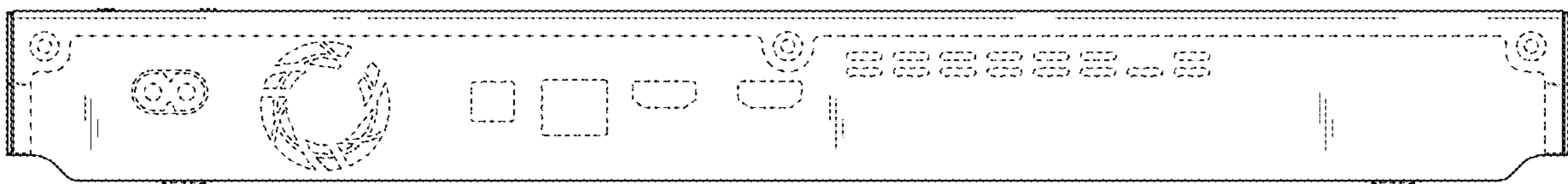


FIG. 4

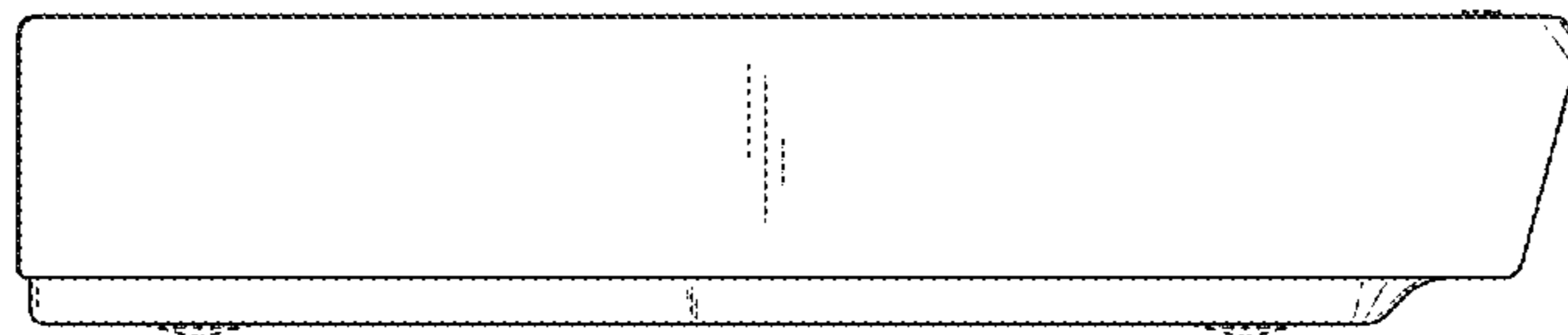


FIG. 5

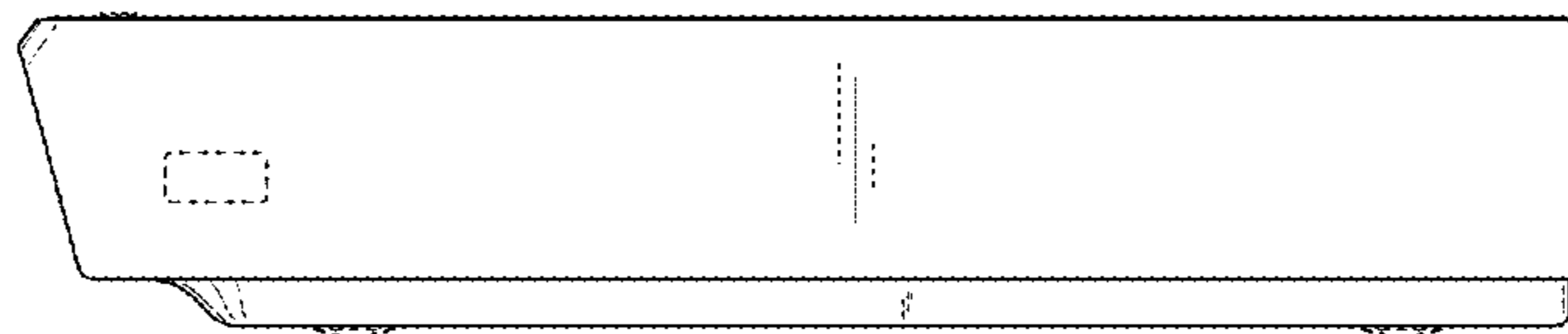


FIG. 6

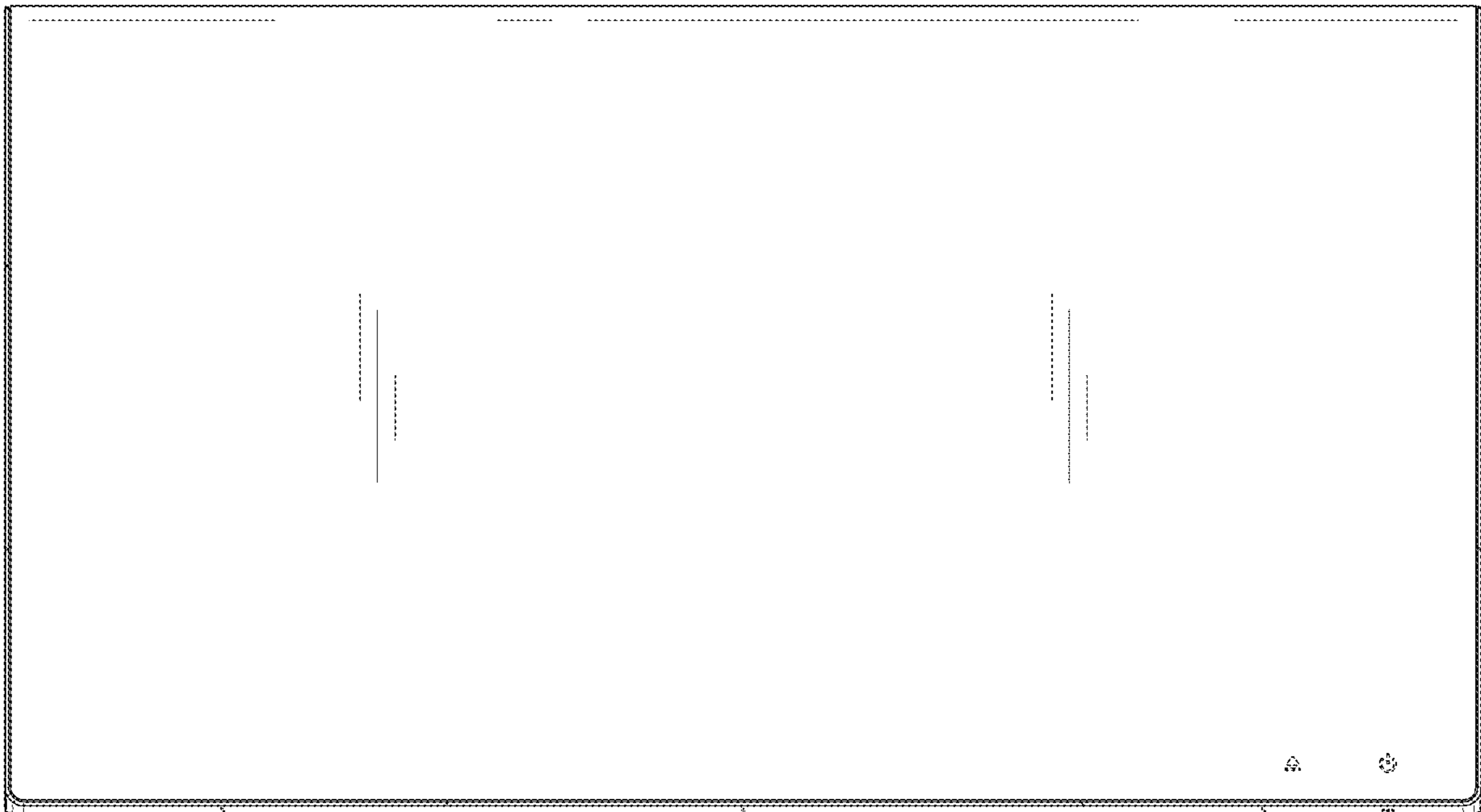


FIG. 7

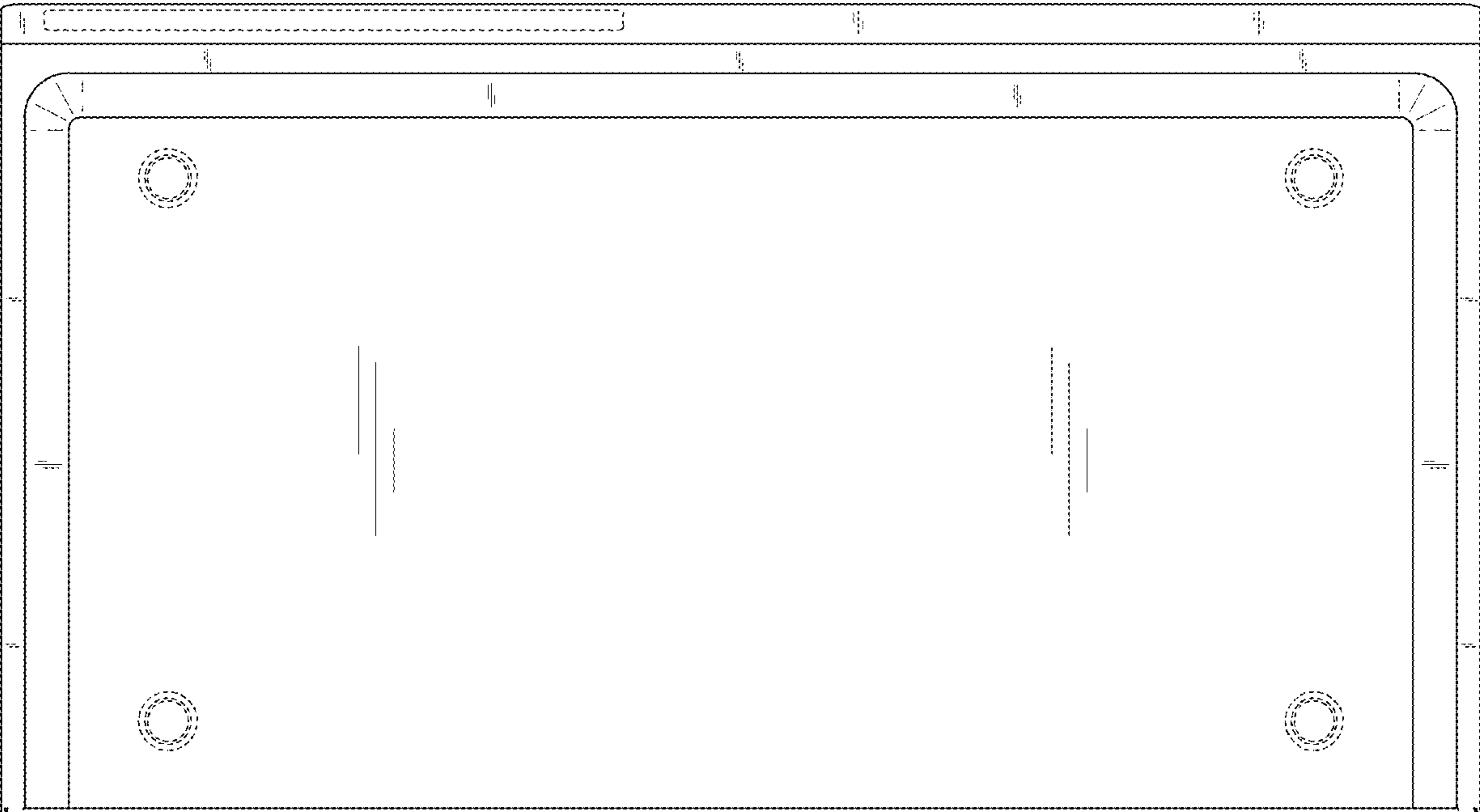


FIG. 8

