



US00D888074S

(12) **United States Design Patent**
Griswold

(10) **Patent No.:** **US D888,074 S**
(45) **Date of Patent:** **** Jun. 23, 2020**

(54) **DISPLAY SCREEN OR PORTION THEREOF WITH ANIMATED GRAPHICAL USER INTERFACE**

(71) Applicant: **Case Western Reserve University**,
Cleveland, OH (US)

(72) Inventor: **Mark A. Griswold**, Shaker Heights,
OH (US)

(73) Assignee: **Case Western Reserve University**,
Cleveland, OH (US)

(**) Term: **15 Years**

(21) Appl. No.: **29/671,634**

(22) Filed: **Nov. 28, 2018**

Related U.S. Application Data

(63) Continuation of application No. 29/601,332, filed on
Apr. 21, 2017, now Pat. No. Des. 838,727.

(51) **LOC (12) Cl.** **14-04**

(52) **U.S. Cl.**
USPC **D14/485**

(58) **Field of Classification Search**
USPC D14/485-495

(Continued)

(56) **References Cited**

U.S. PATENT DOCUMENTS

6,334,211 B1 12/2001 Kojima
D580,947 S 11/2008 Onai

(Continued)

Primary Examiner — Daniel J Domino

(74) *Attorney, Agent, or Firm* — Quarles & Brady LLP

(57) **CLAIM**

The ornamental design for a display screen or portion thereof with animated graphical user interface, as shown and described.

DESCRIPTION

The file of this patent contains at least one drawing/photograph executed in color. Copies of this patent with color

drawing(s)/photograph(s) will be provided by the Office upon request and payment of the necessary fee.

FIG. 1 is a front view of a first image in a sequence for a display screen or portion thereof with animated graphical user interface showing my new design;

FIG. 2 is a second image thereof;

FIG. 3 is a third image thereof;

FIG. 4 is a fourth image thereof;

FIG. 5 is a fifth image thereof;

FIG. 6 is a sixth image thereof;

FIG. 7 is a seventh image thereof;

FIG. 8 is an eighth image thereof;

FIG. 9 is a second embodiment thereof, showing a front view of a first image in a sequence for a display screen or portion thereof with animated graphical user interface showing my new design;

FIG. 10 is a second image thereof;

FIG. 11 is a third image thereof;

FIG. 12 is a fourth image thereof;

FIG. 13 is a fifth image thereof;

FIG. 14 is a sixth image thereof;

FIG. 15 is a seventh image thereof;

FIG. 16 is an eighth image thereof;

FIG. 17 is a third embodiment thereof, showing a front view of a first image in a sequence for a display screen or portion thereof with animated graphical user interface showing my new design;

FIG. 18 is a second image thereof;

FIG. 19 is a third image thereof;

FIG. 20 is a fourth image thereof;

FIG. 21 is a fifth image thereof;

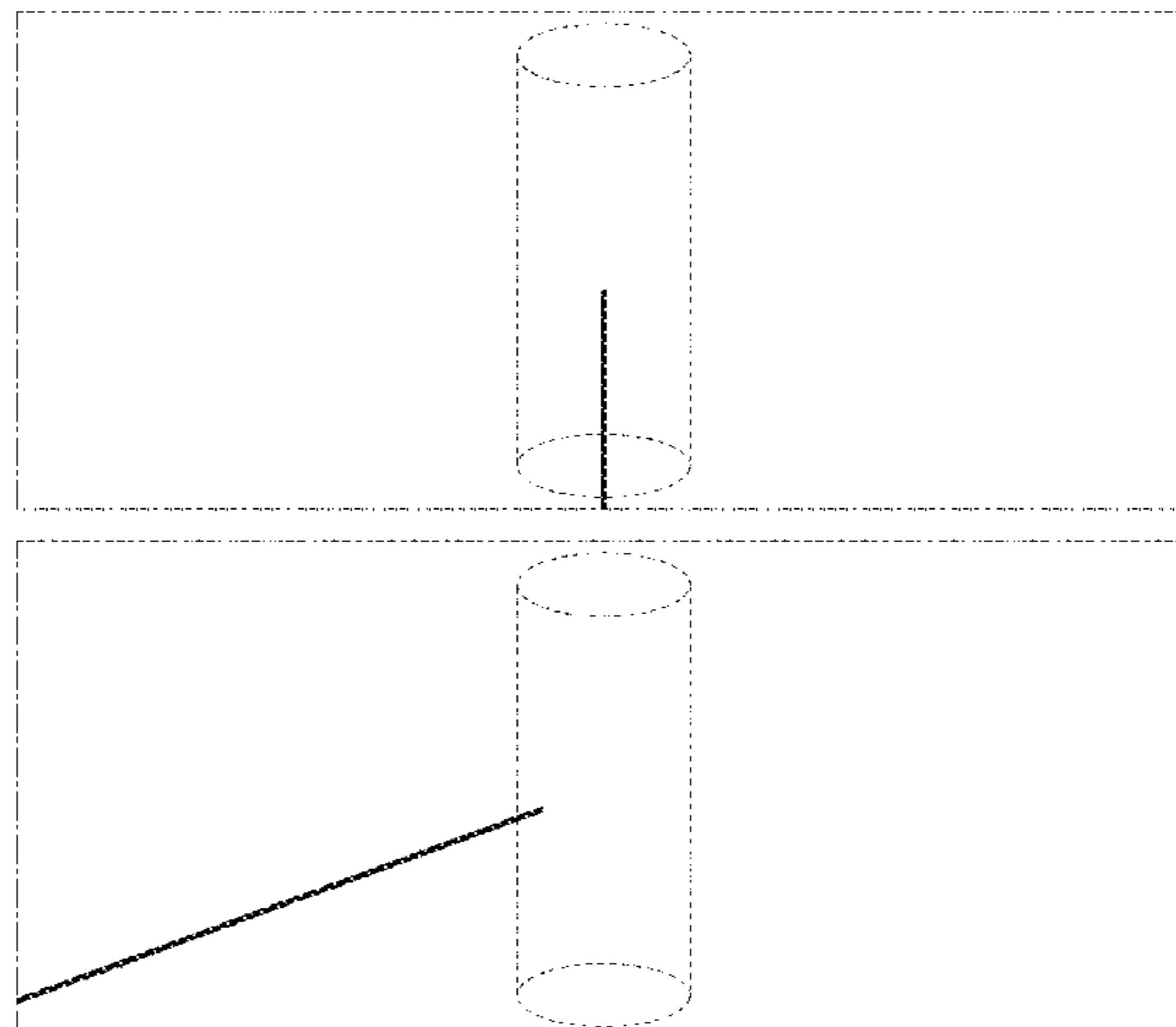
FIG. 22 is a sixth image thereof;

FIG. 23 is a seventh image thereof; and,

FIG. 24 is an eighth image thereof.

The appearance of the animated graphical user interface transitions sequentially between the images shown in FIGS. 1-8 in embodiment 1, FIGS. 9-16 in embodiment 2, and FIGS. 17-24 in embodiment 3. The process or period in which one image transitions to another forms no part of the claimed design. The dot-dash broken lines showing a display screen or portion thereof and elements of the graphical user interface, as well as the regular broken lines showing

(Continued)



elements of the graphical user interface illustrate portions of the article. No subject matter shown in broken lines form part of the claimed design.

**1 Claim, 12 Drawing Sheets
(8 of 12 Drawing Sheet(s) Filed in Color)**

(58) **Field of Classification Search**
CPC G06F 17/211; G06F 17/212; G06F 3/1251;
G06F 3/0481; G06F 2203/04807
See application file for complete search history.

(56) **References Cited**

U.S. PATENT DOCUMENTS

7,516,416 B2 4/2009 Viswanathan
D616,503 S * 5/2010 Scatterday D20/28
D625,324 S * 10/2010 Fitzmaurice D14/488
D626,648 S * 11/2010 Ahlgren D24/130
D630,321 S * 1/2011 Hamilton, Jr. D24/133
D630,729 S * 1/2011 Bierman D24/112
7,932,909 B2 4/2011 Niles
D646,837 S 10/2011 Yu
D648,851 S * 11/2011 Copeland D24/112
8,066,644 B2 * 11/2011 Sarkar A61B 8/587
600/427
D689,874 S * 9/2013 Brinda D14/485
8,585,598 B2 11/2013 Razzaque
D700,192 S * 2/2014 Kaplan D14/485
D705,250 S * 5/2014 Khanna D14/488
8,750,568 B2 6/2014 Frank
8,849,382 B2 9/2014 Cox
D716,832 S 11/2014 Schoger
D718,781 S * 12/2014 Arnold D14/486
D719,583 S * 12/2014 Edwards D14/488
D720,366 S * 12/2014 Hiltunen D14/487
D720,770 S * 1/2015 Lacour D14/487
D720,771 S * 1/2015 Lacour D14/487
D726,208 S * 4/2015 Dorfmann D14/486
D743,977 S * 11/2015 dela Cruz D14/485
D748,137 S * 1/2016 Merschon D14/492
D753,150 S * 4/2016 Chmiel D14/485
D753,712 S * 4/2016 Lee G06F 3/04817
D14/489
D754,716 S * 4/2016 Davis D14/487
D755,205 S * 5/2016 Sanderson D14/485

D758,403 S * 6/2016 Lee D14/486
D760,790 S * 7/2016 Ishii G06F 3/04817
D14/494
D761,313 S * 7/2016 Quinn D14/492
D761,808 S * 7/2016 Quinn D14/485
D761,840 S * 7/2016 Patterson D14/488
D762,665 S * 8/2016 Lee D14/485
D764,549 S * 8/2016 Cavander G06F 3/04817
D14/494
D765,681 S * 9/2016 Nagel D14/486
D766,961 S * 9/2016 Choi D14/487
D769,891 S * 10/2016 Cho D14/485
D780,982 S * 3/2017 Starck D26/93
D781,314 S * 3/2017 Astrom D14/486
D785,656 S * 5/2017 Bramer D14/486
D790,581 S 6/2017 Chaudhri
D791,144 S * 7/2017 Li D14/485
D791,146 S * 7/2017 Su D14/485
D791,805 S 7/2017 Segars
D792,894 S * 7/2017 Dzijind D14/486
D795,909 S * 8/2017 Hirai D14/486
D815,648 S * 4/2018 Iyer D14/486
D819,074 S * 5/2018 Chow D14/489
D822,698 S * 7/2018 Kim D14/486
D835,126 S * 12/2018 Sakata D14/485
D835,129 S * 12/2018 Yamazaki D14/485
D836,123 S * 12/2018 Pillalamarri D14/486
D838,727 S 1/2019 Griswold
D838,728 S * 1/2019 Samanta D14/485
D865,775 S * 11/2019 Jones D14/485
D866,590 S * 11/2019 Akagawa D14/488
D868,801 S * 12/2019 Anno D14/485
D868,802 S * 12/2019 Tzeng D14/485
D868,803 S * 12/2019 Suslik D14/485
D869,483 S * 12/2019 Wilde D14/486
D869,494 S * 12/2019 Guo D14/486
D869,495 S * 12/2019 Pillalamarri D14/486
D869,499 S * 12/2019 Cronin D14/491
D870,122 S * 12/2019 Yoshioka D14/485
D870,763 S * 12/2019 Kiefer D14/486
D871,423 S * 12/2019 Butler D14/485
D872,751 S * 1/2020 Ziezold D14/485
D873,279 S * 1/2020 Dye D14/485
2009/0177111 A1 7/2009 Miller
2009/0243957 A1 10/2009 Ni
2010/0229130 A1 9/2010 Edge
2015/0313547 A1 11/2015 Quinn
2017/0212967 A1 7/2017 Dexter

* cited by examiner

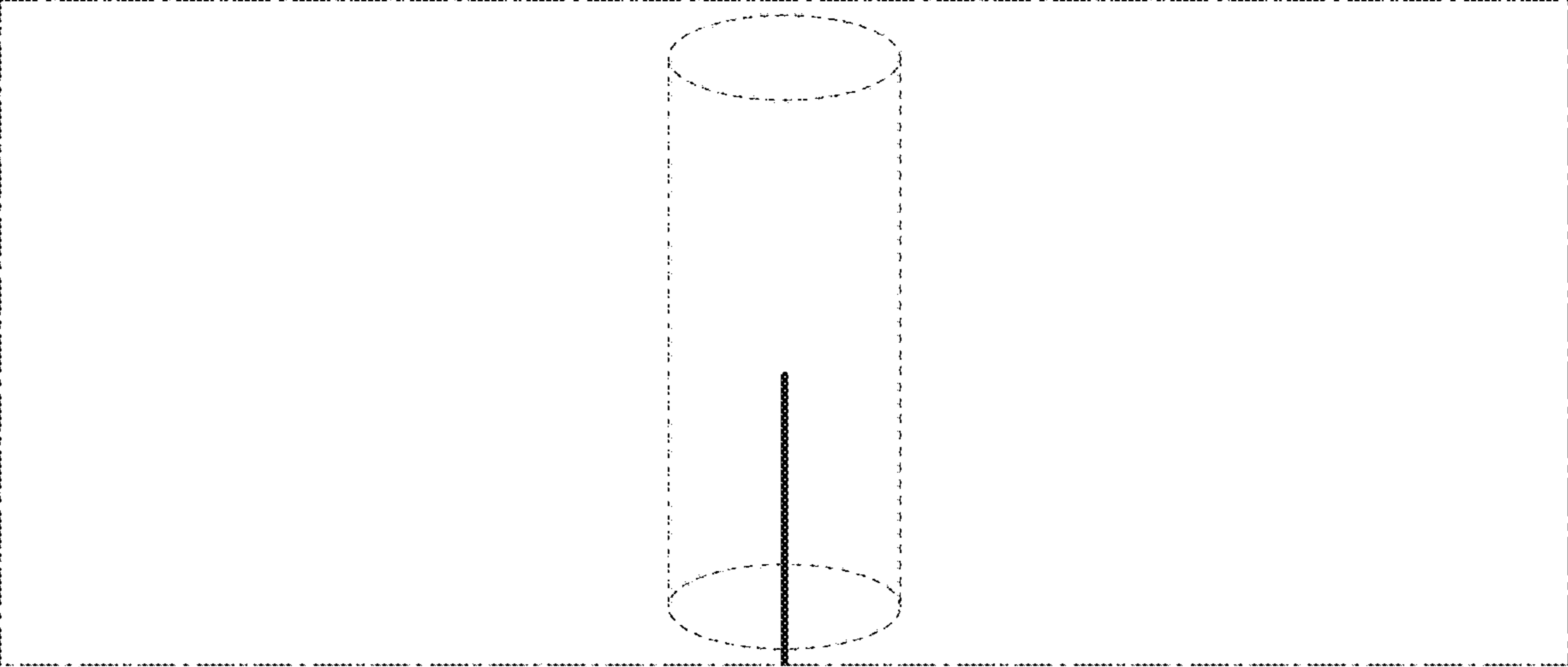


FIG. 1

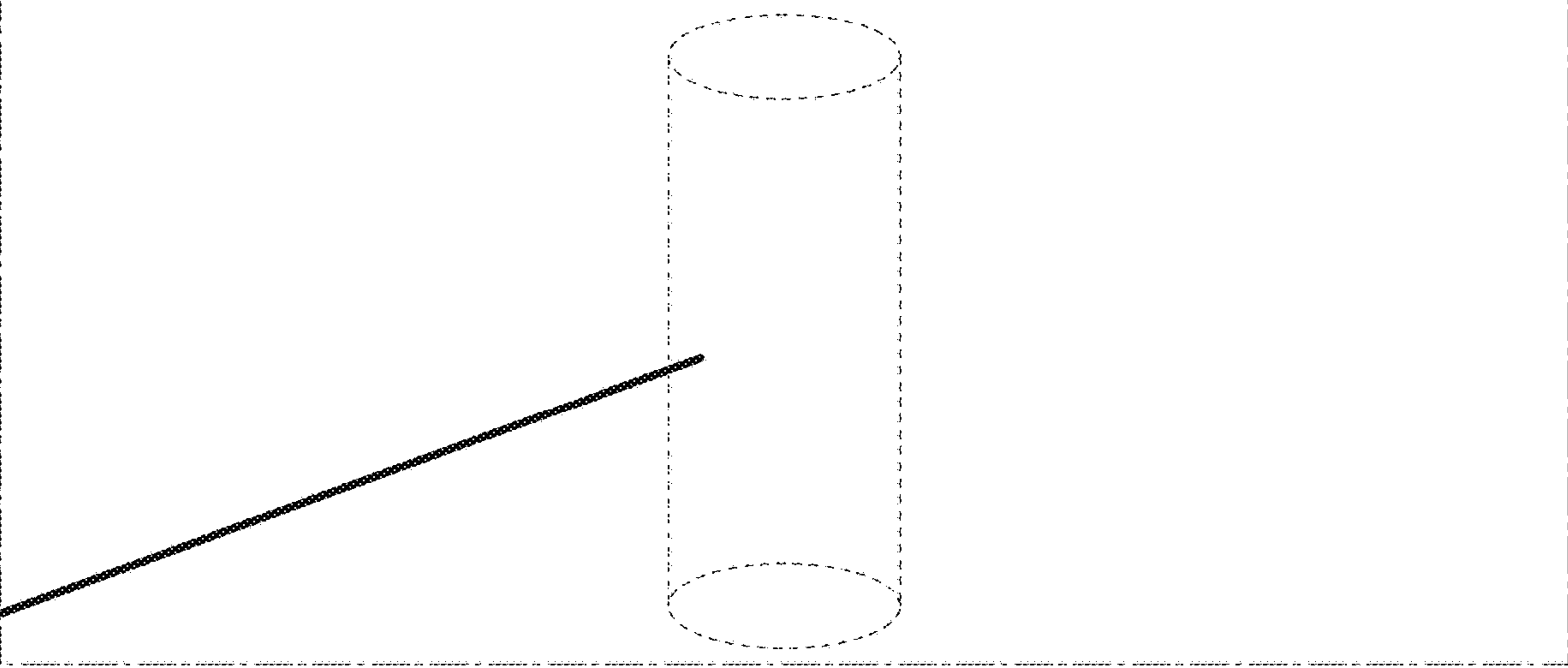


FIG. 2

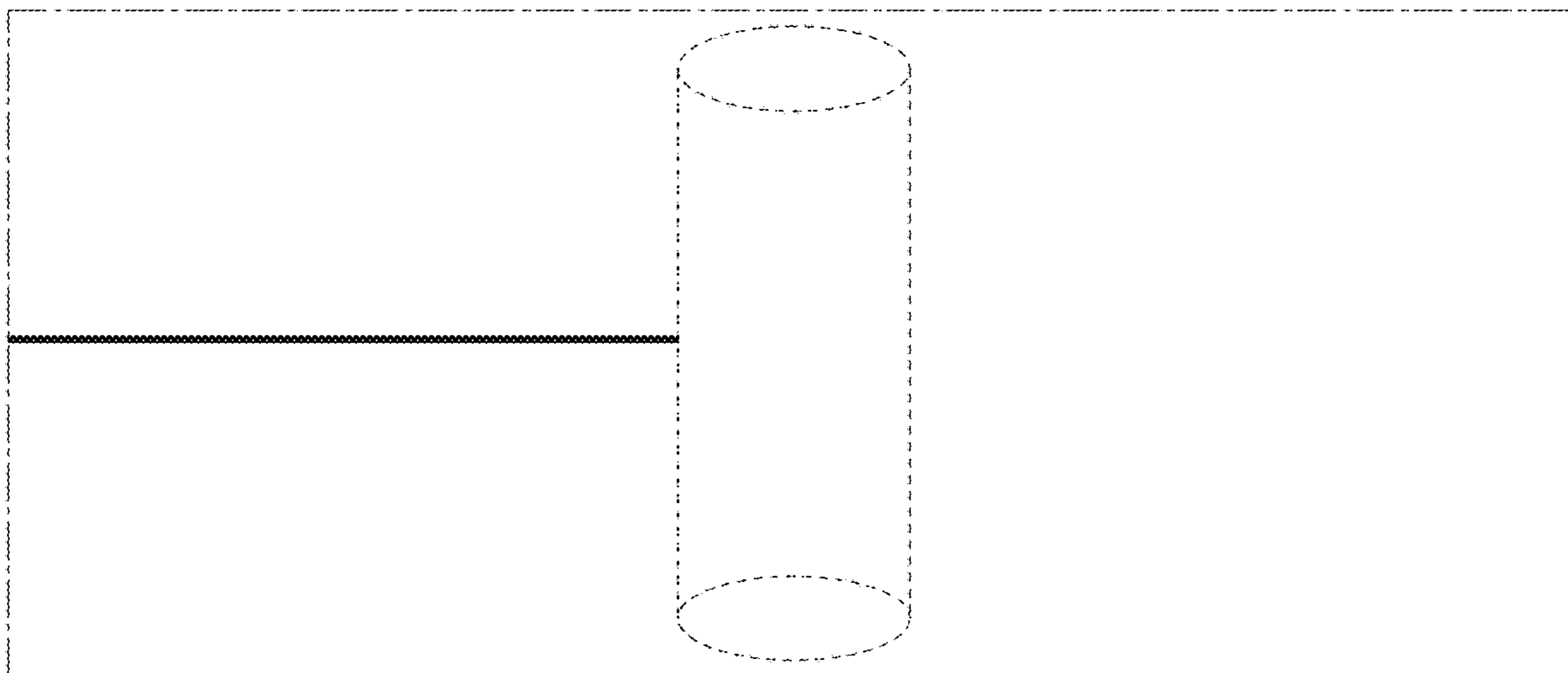


FIG. 3

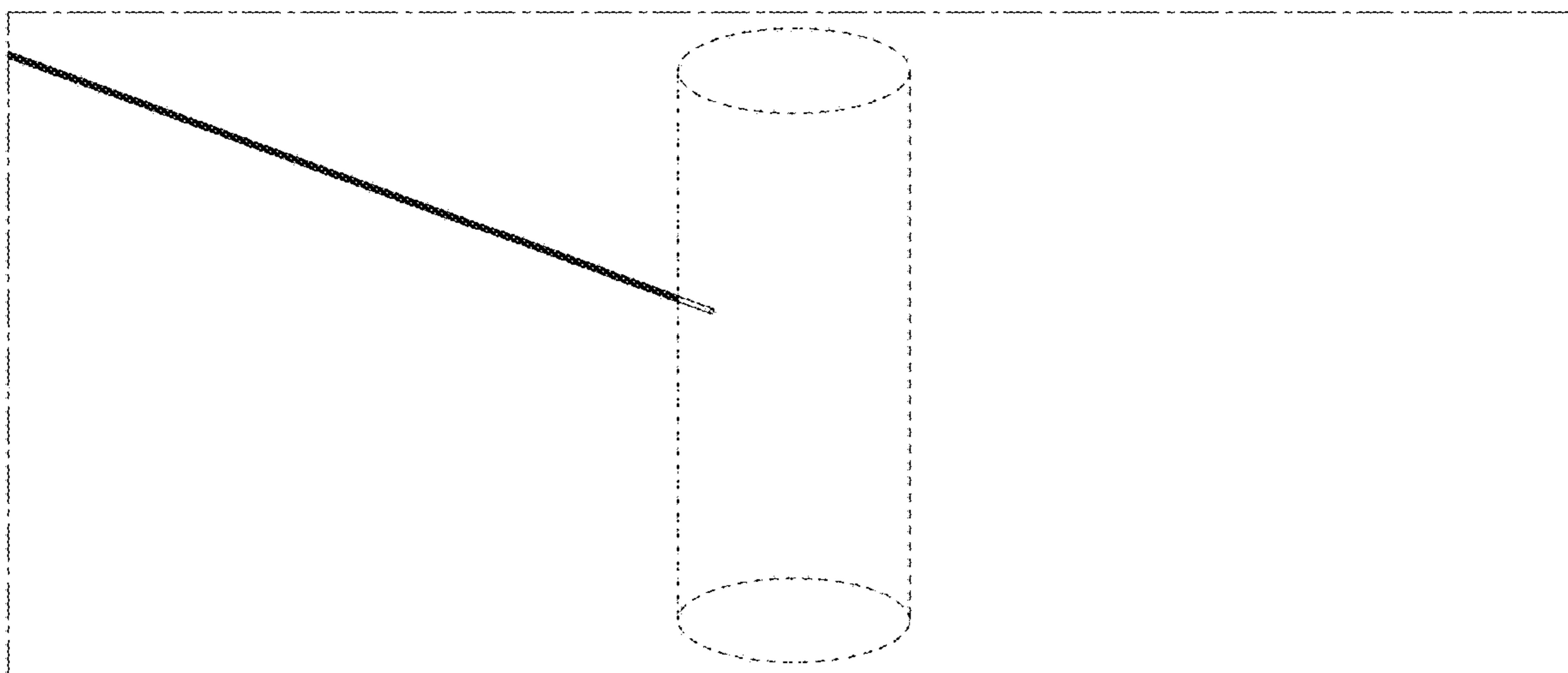


FIG. 4

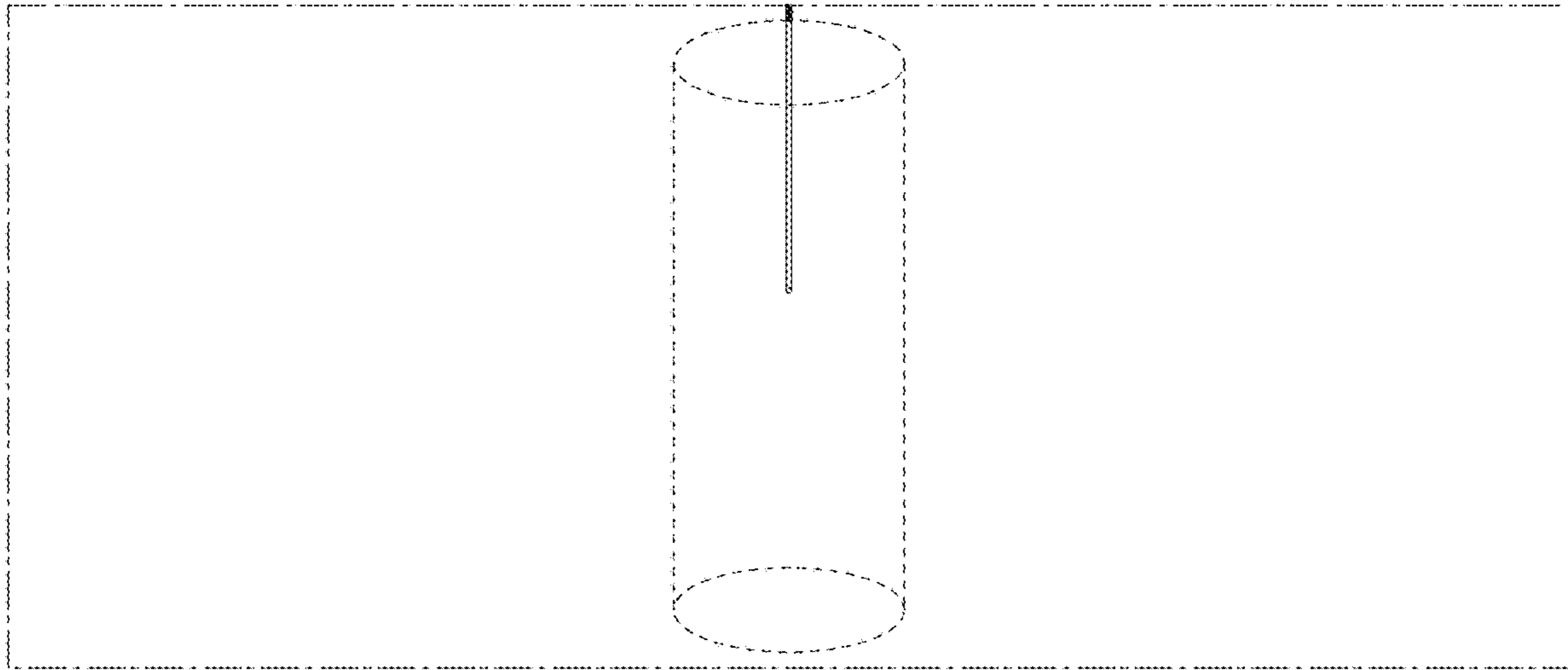


FIG. 5

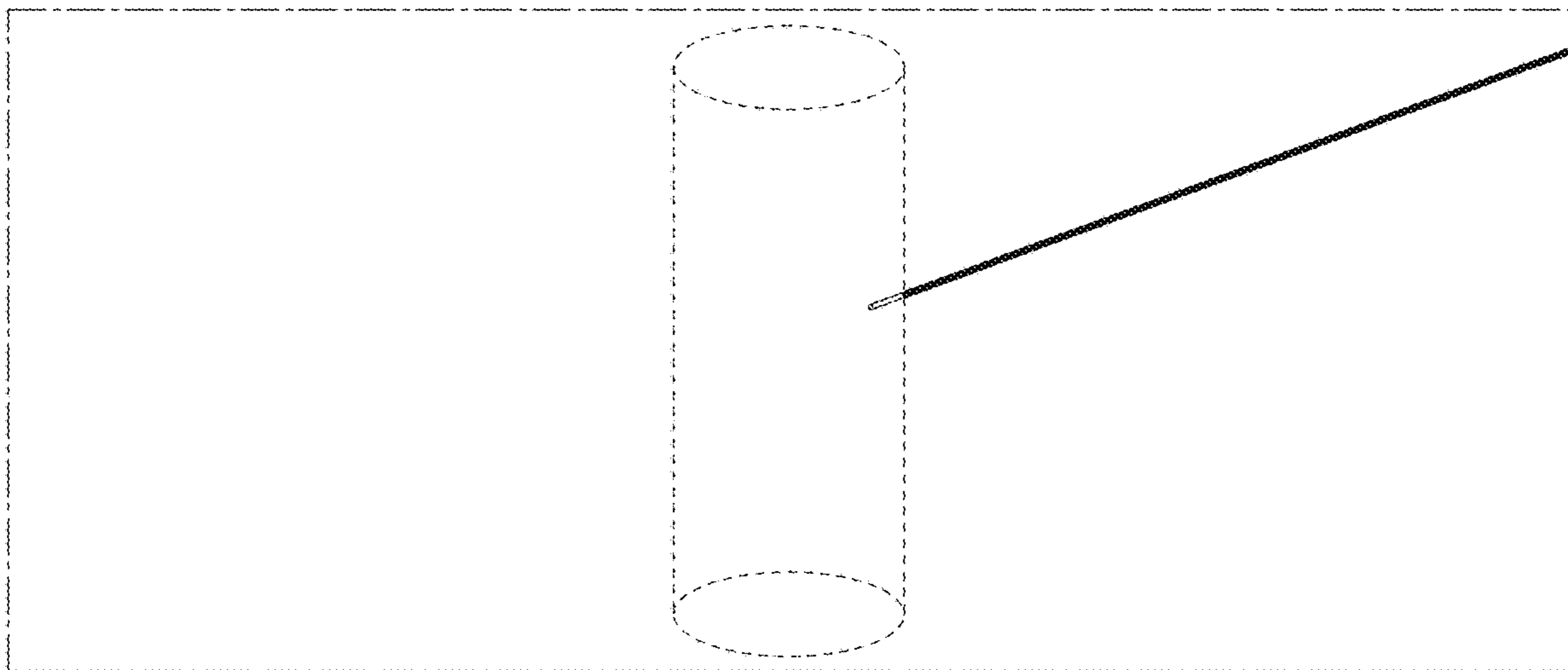


FIG. 6

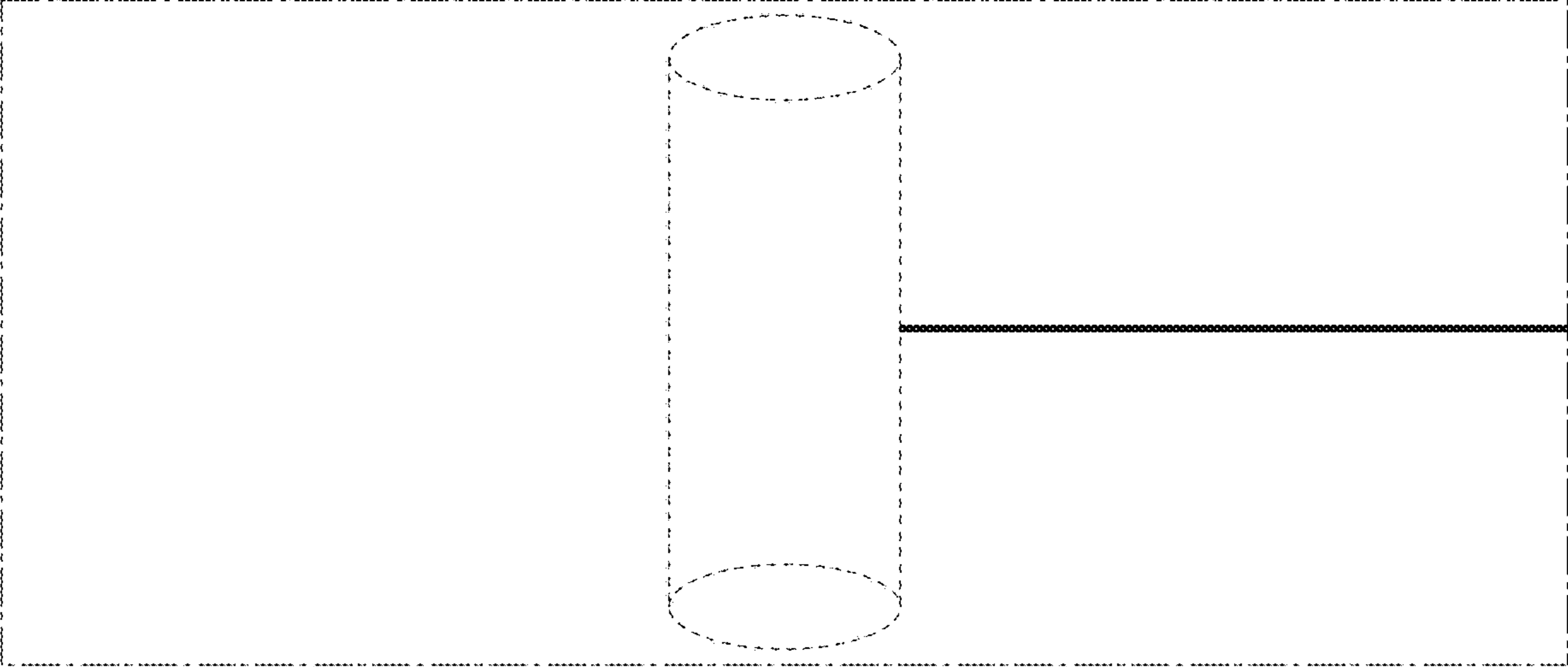


FIG. 7

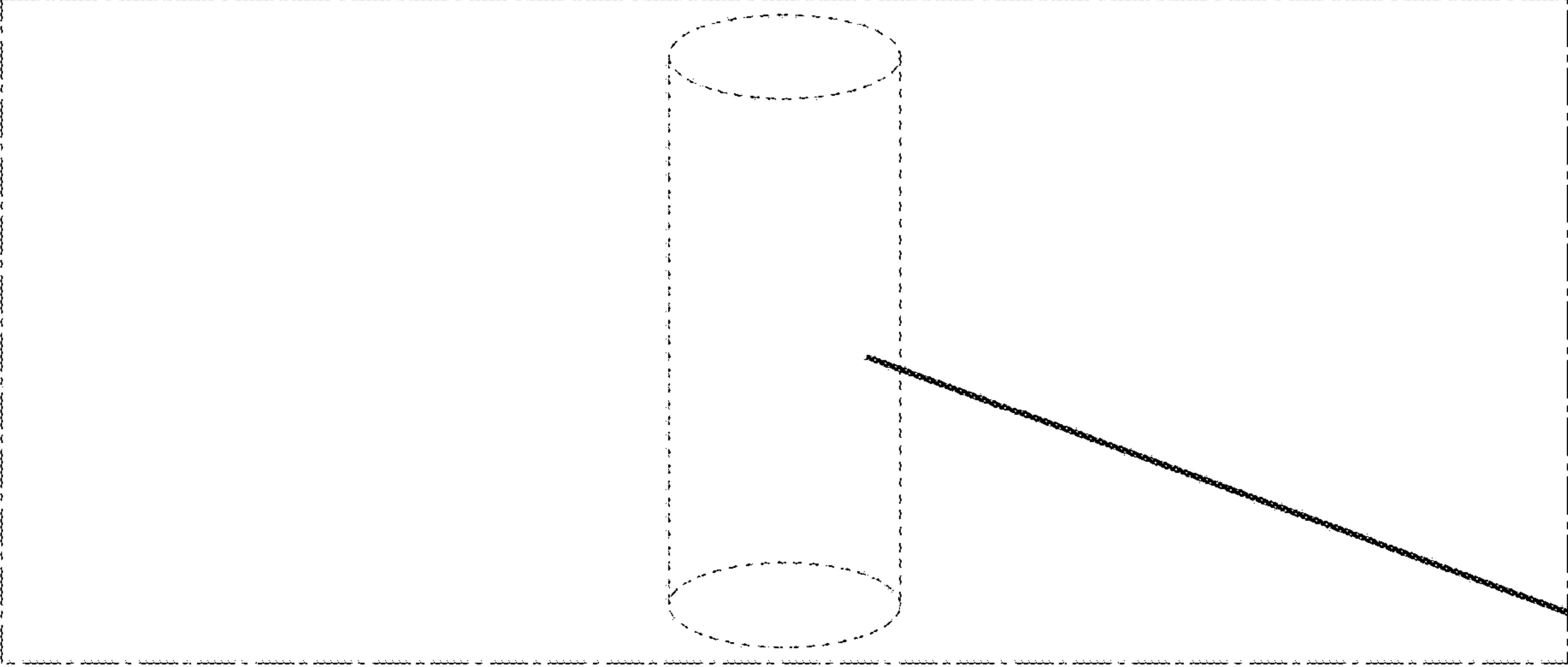


FIG. 8

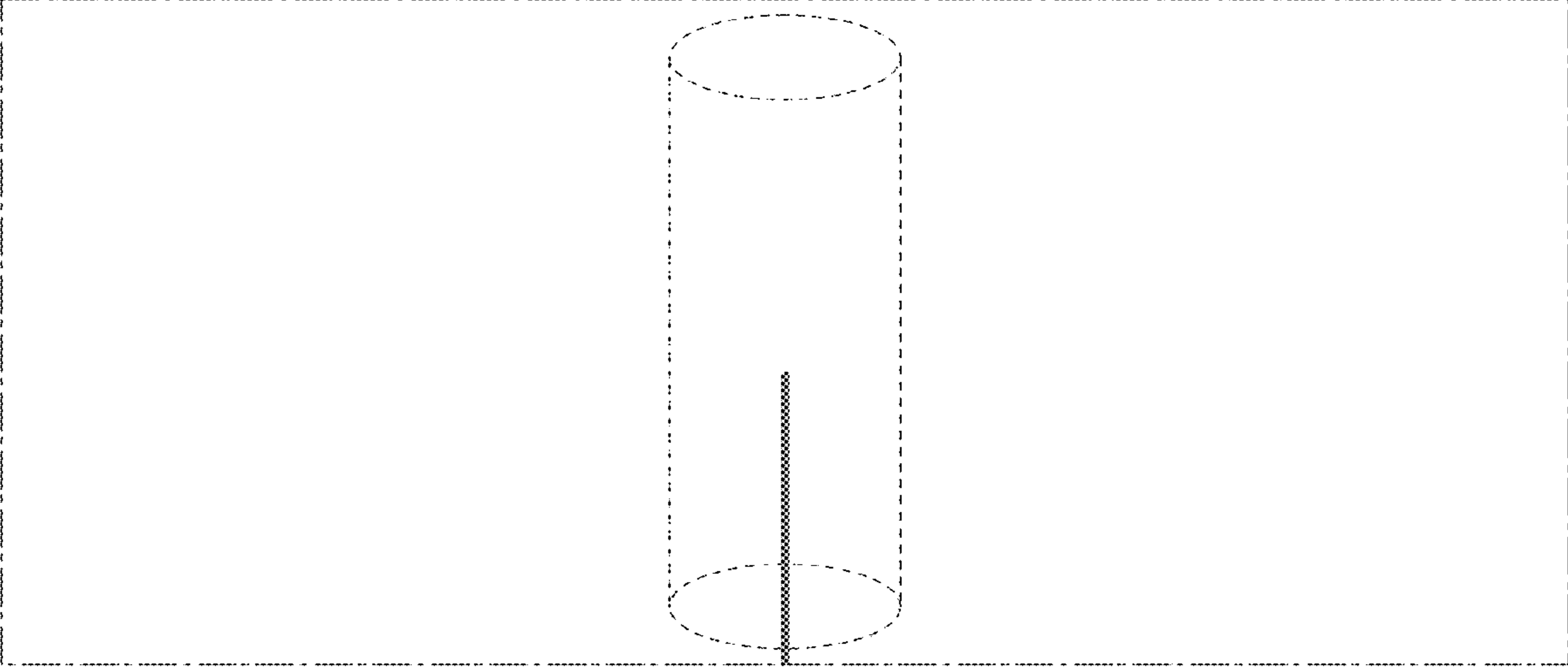


FIG. 9

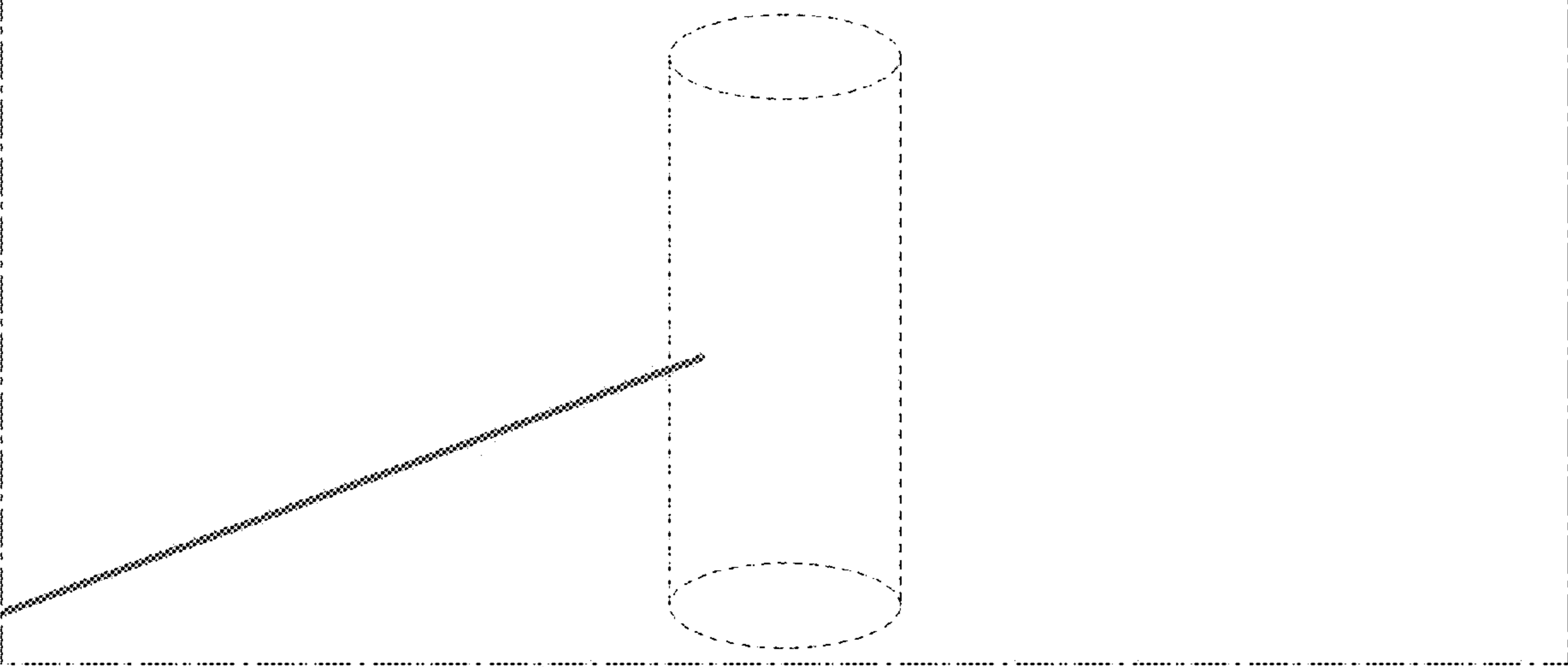


FIG. 10

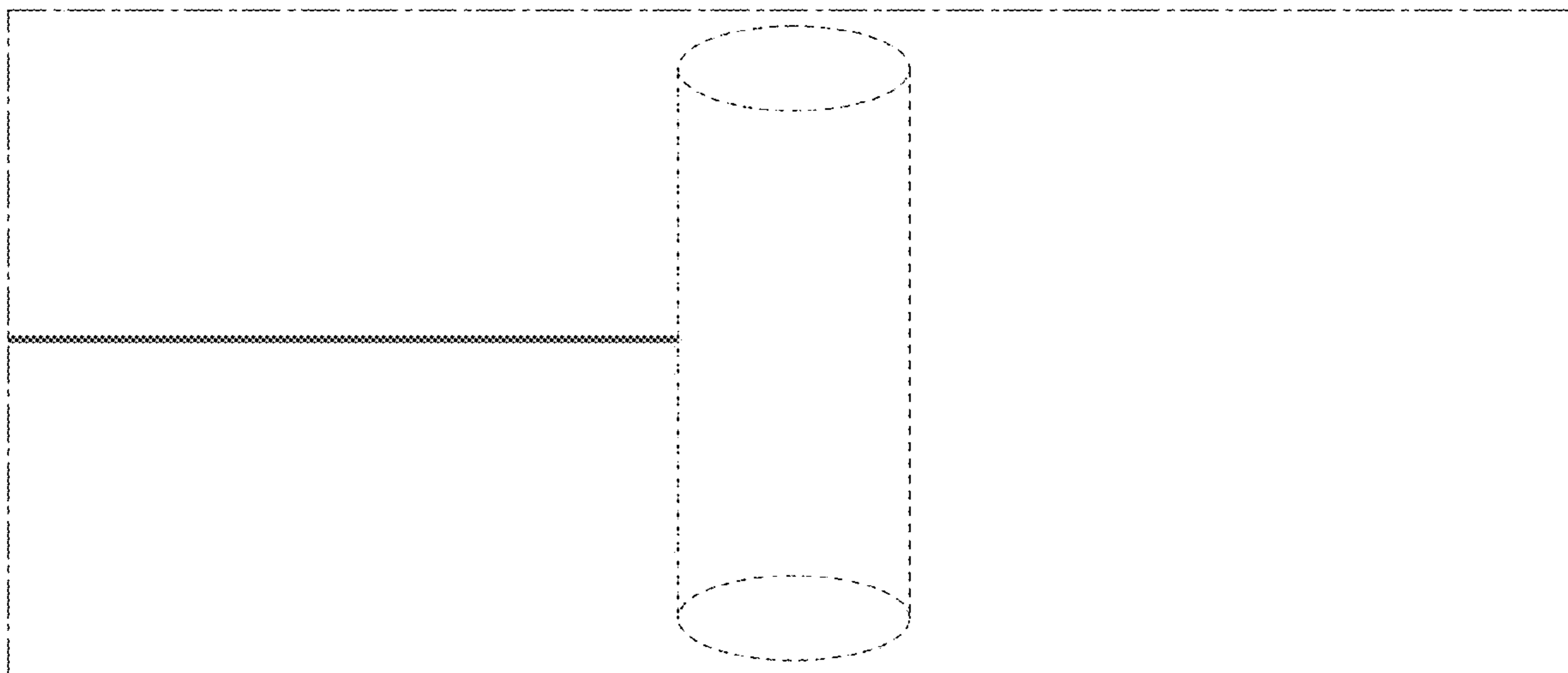


FIG. 11

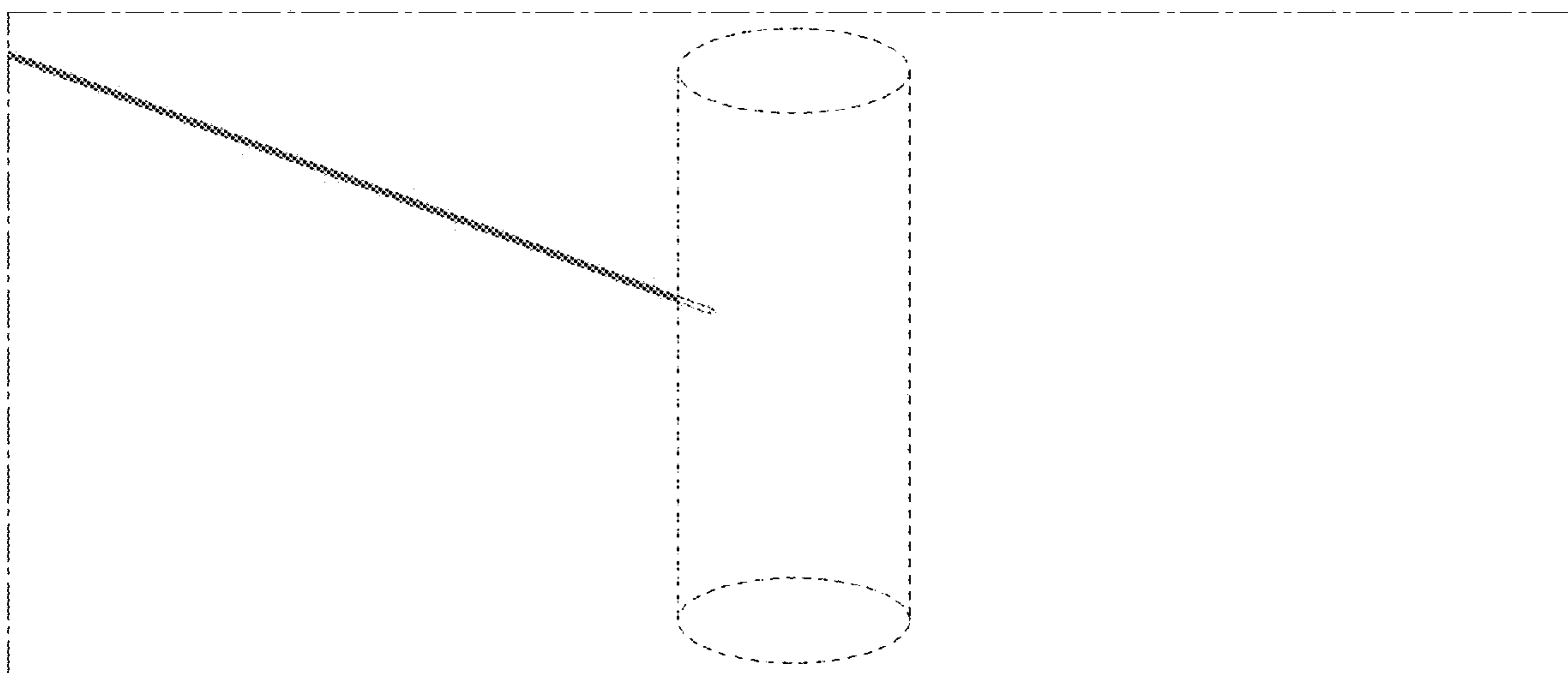


FIG. 12

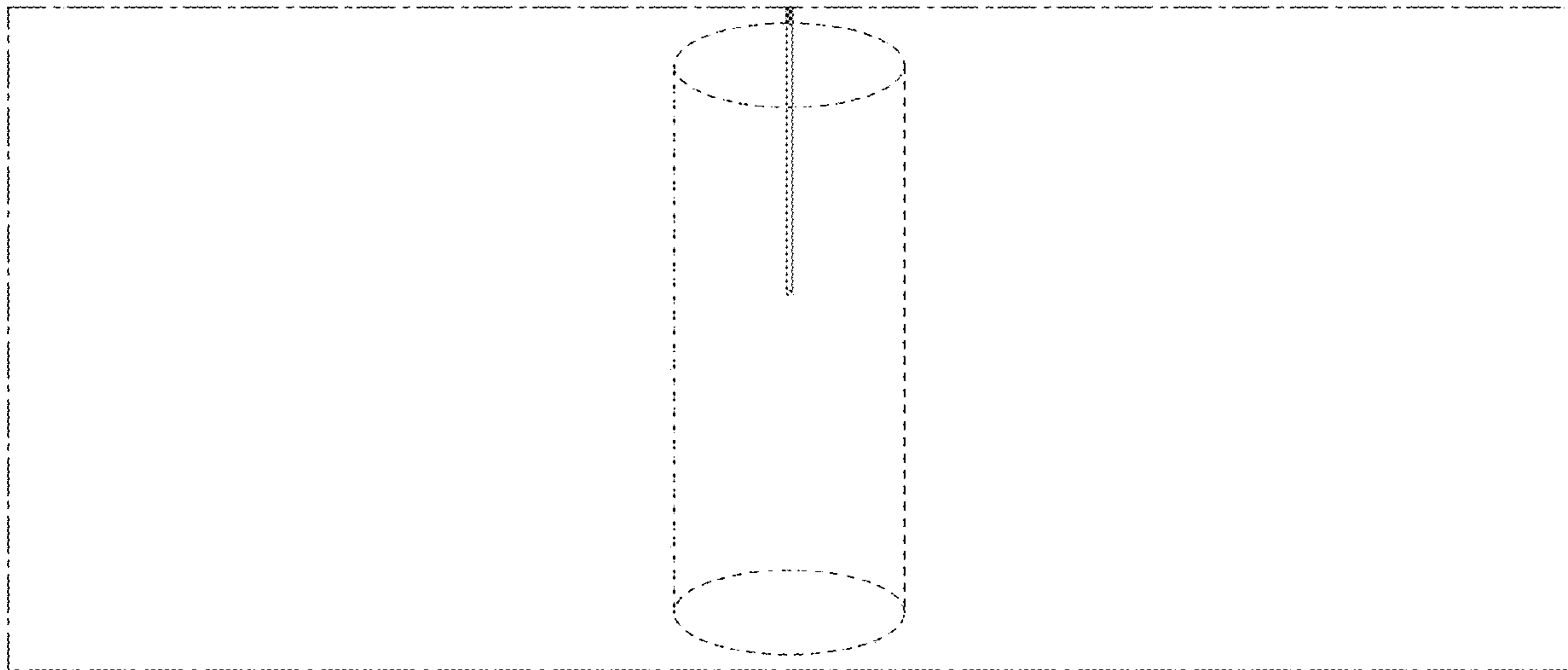


FIG. 13

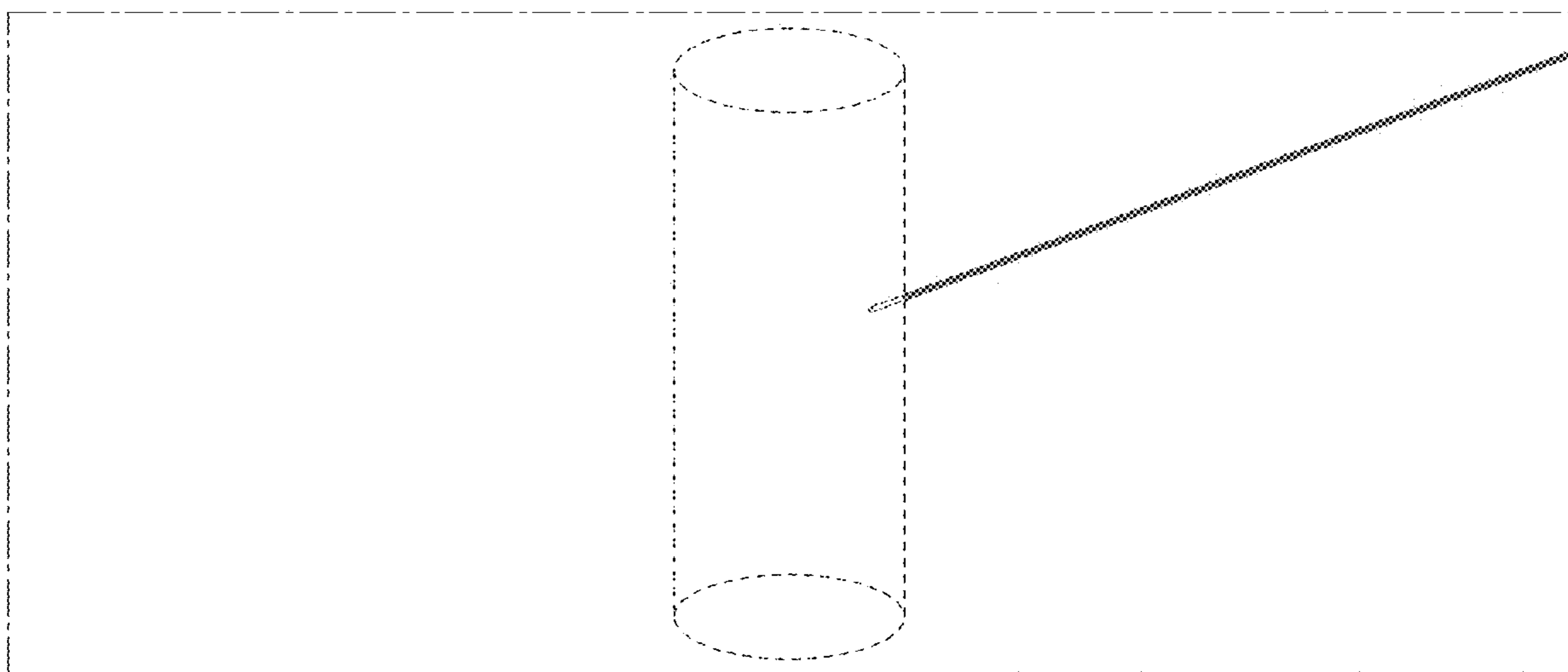


FIG. 14

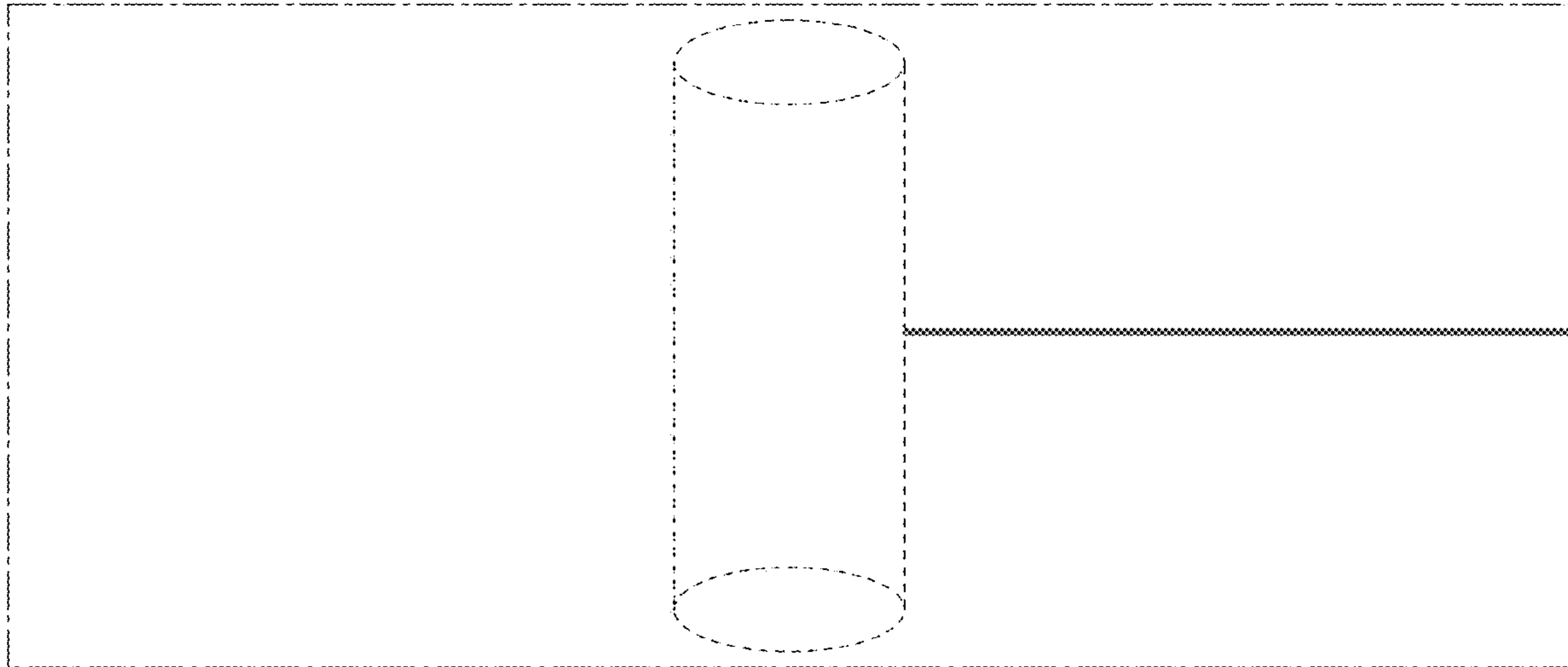


FIG. 15

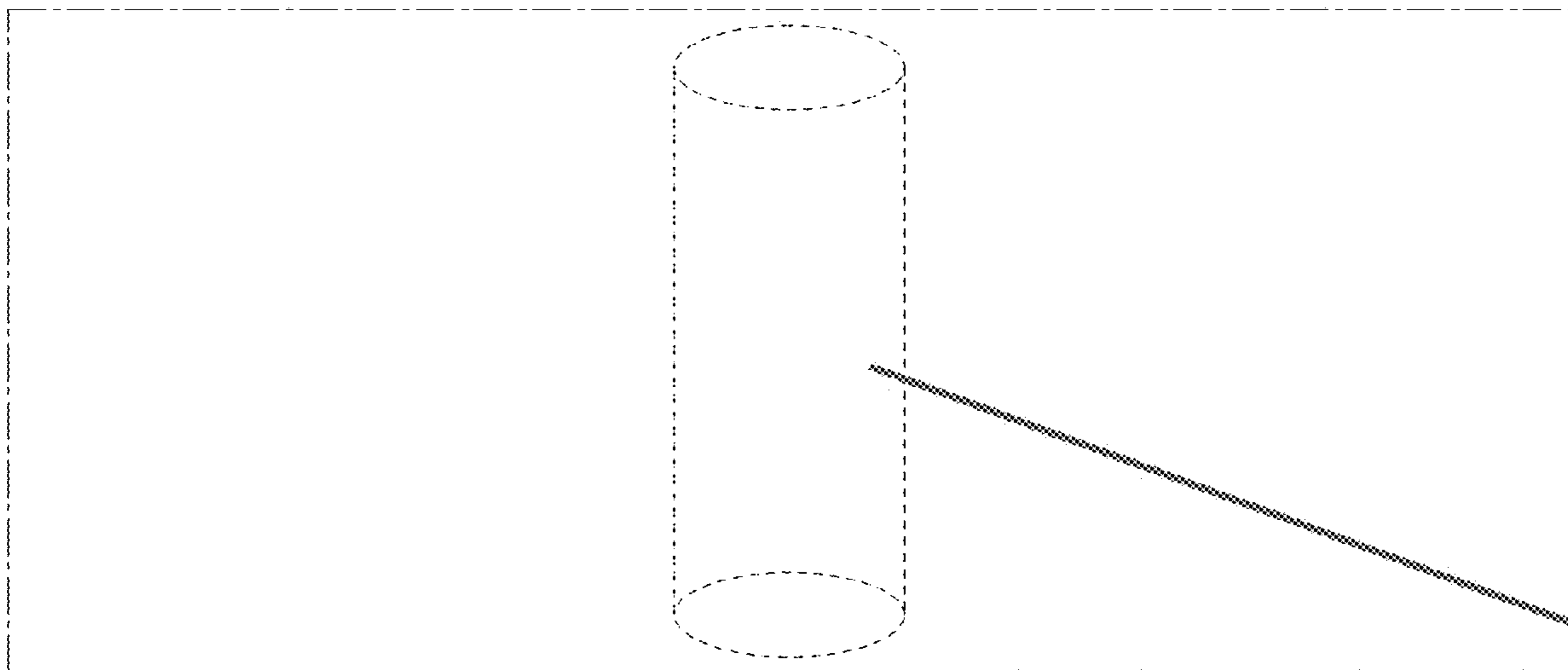


FIG. 16

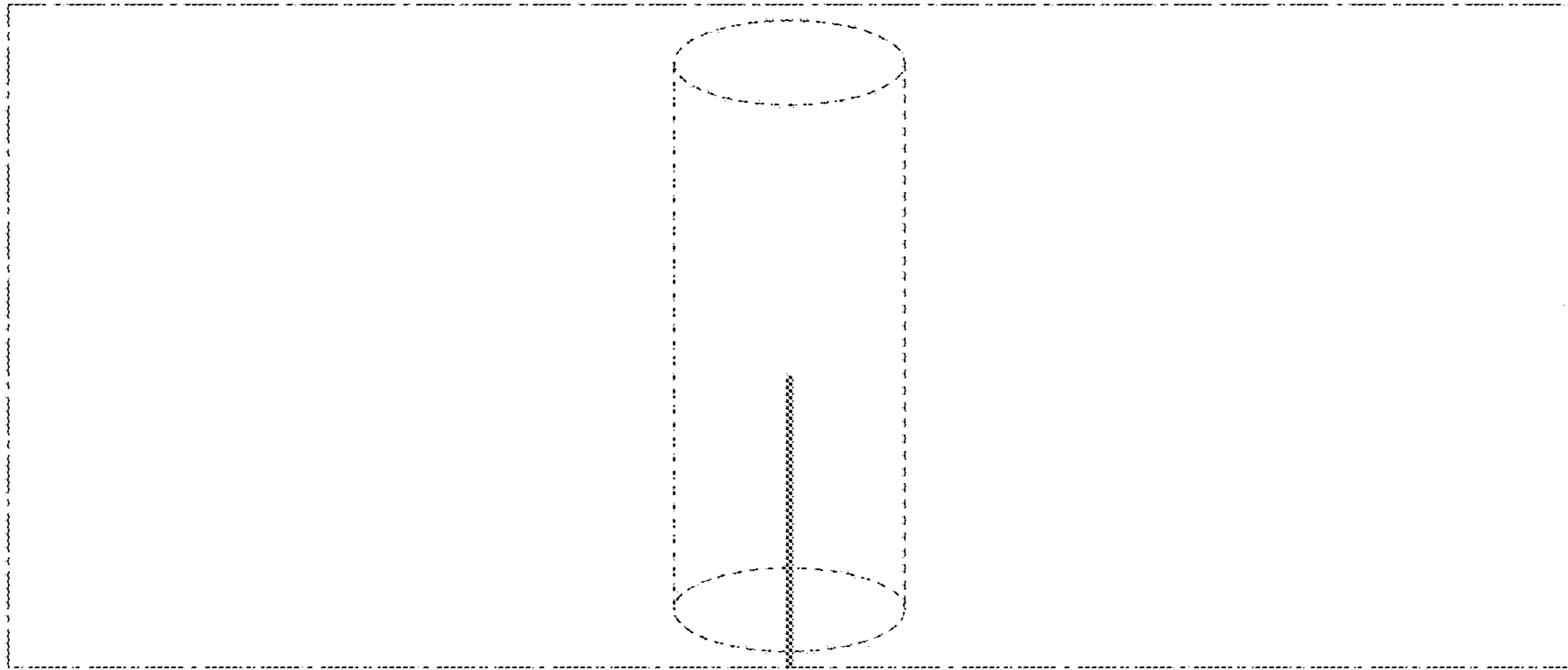


FIG. 17

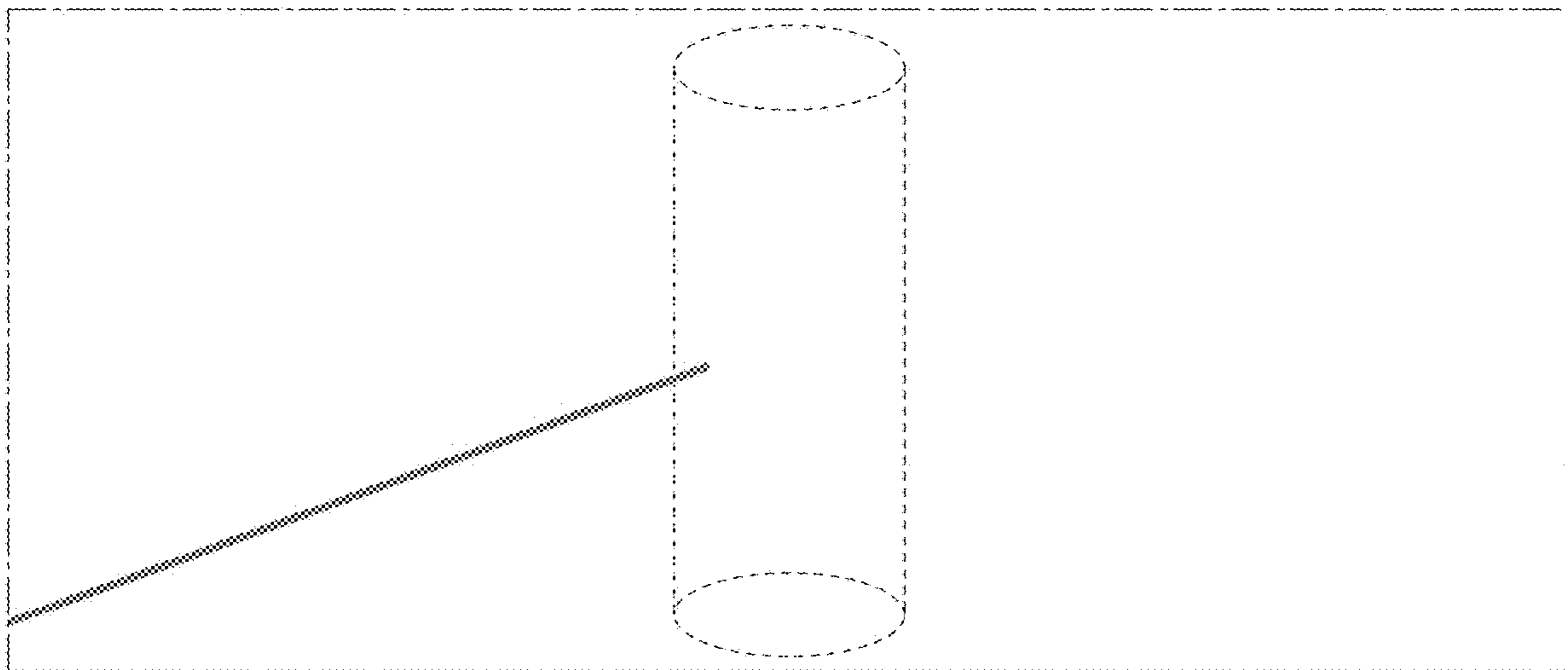


FIG. 18

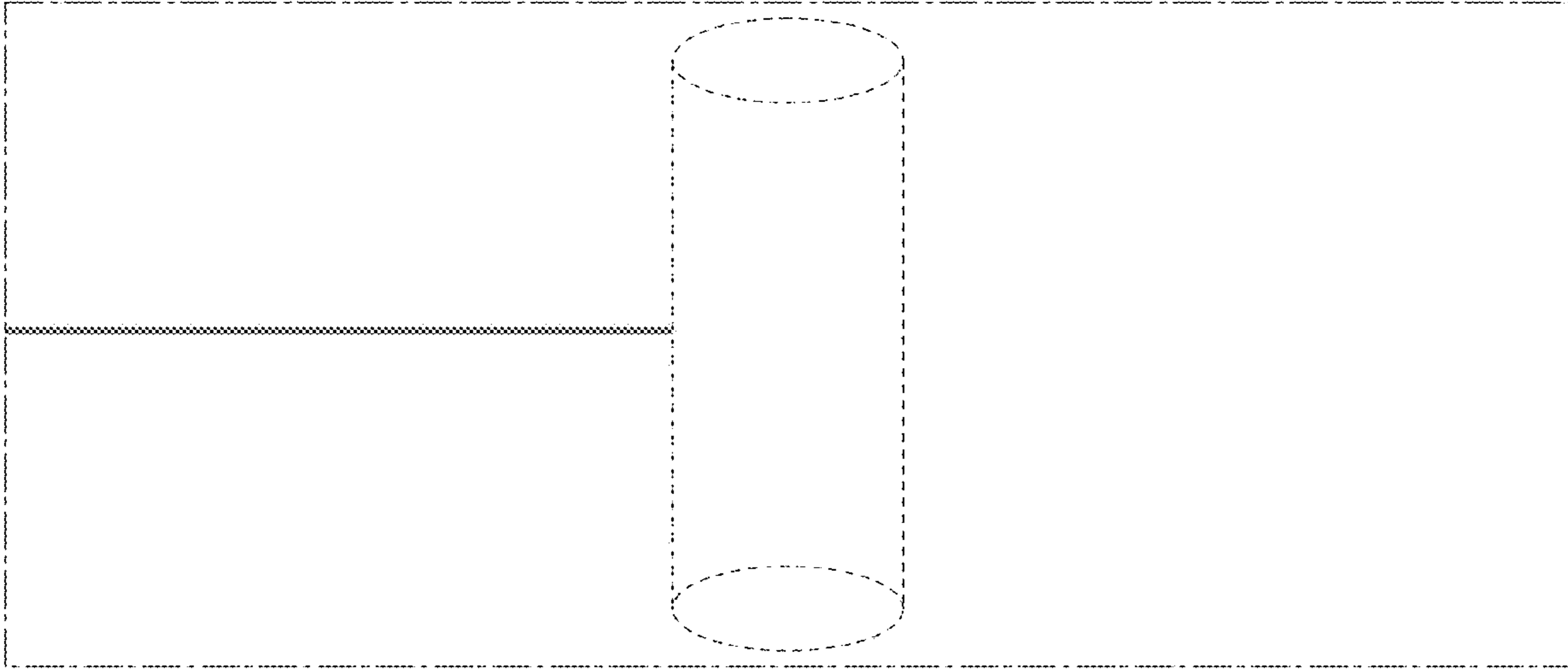


FIG. 19

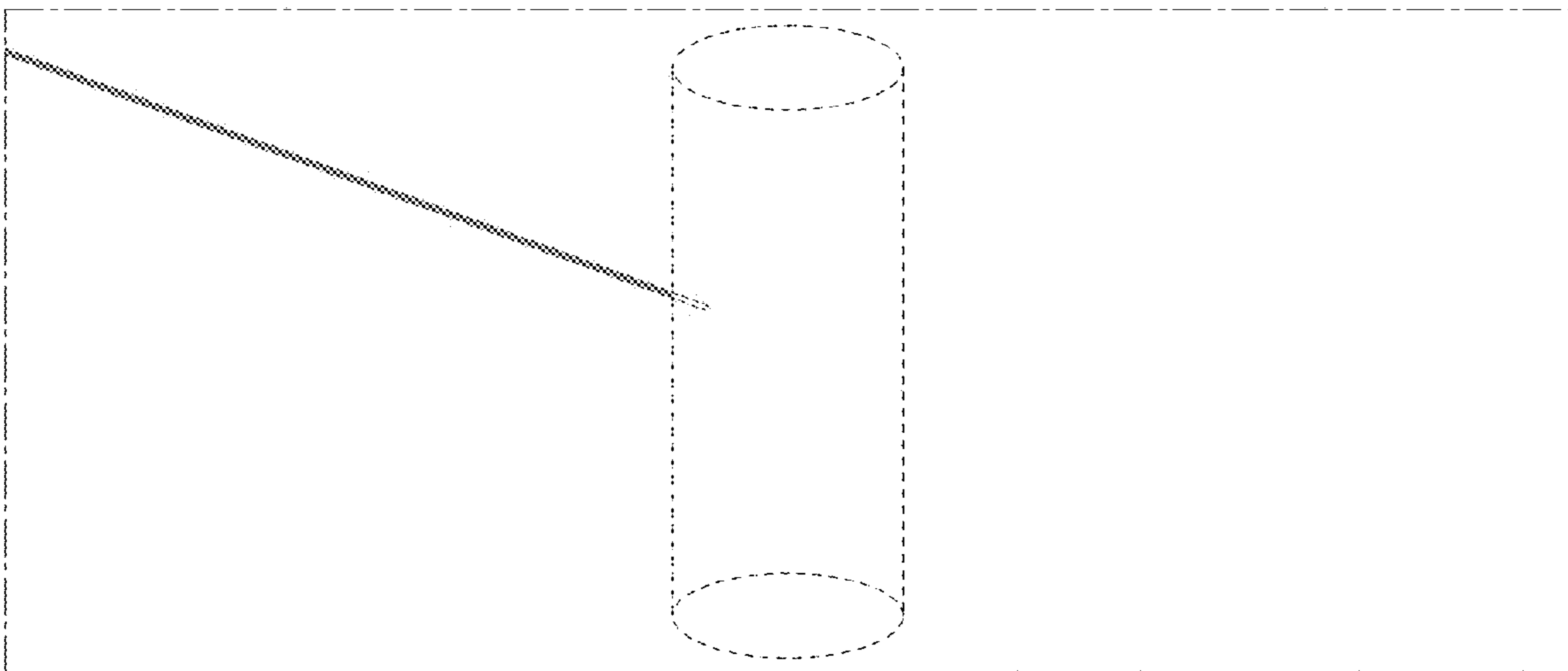


FIG. 20

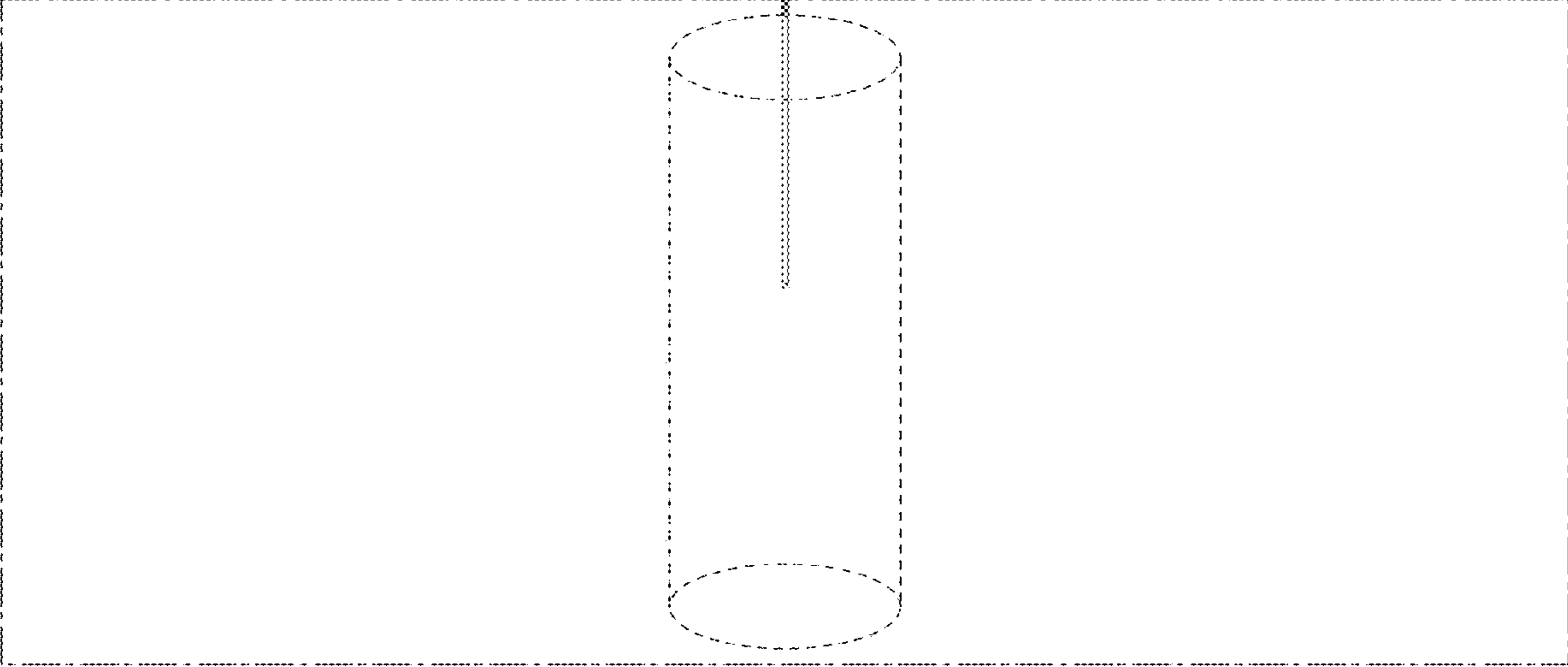


FIG. 21

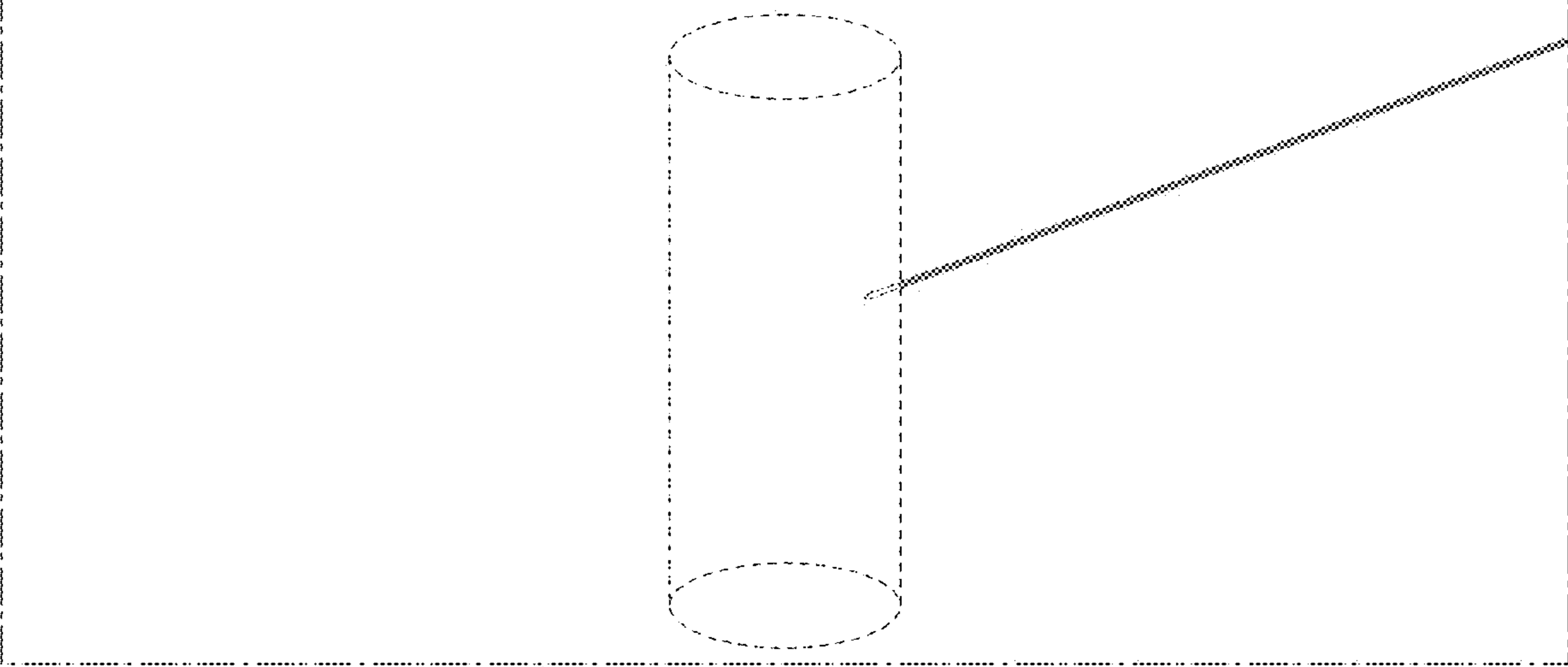


FIG. 22

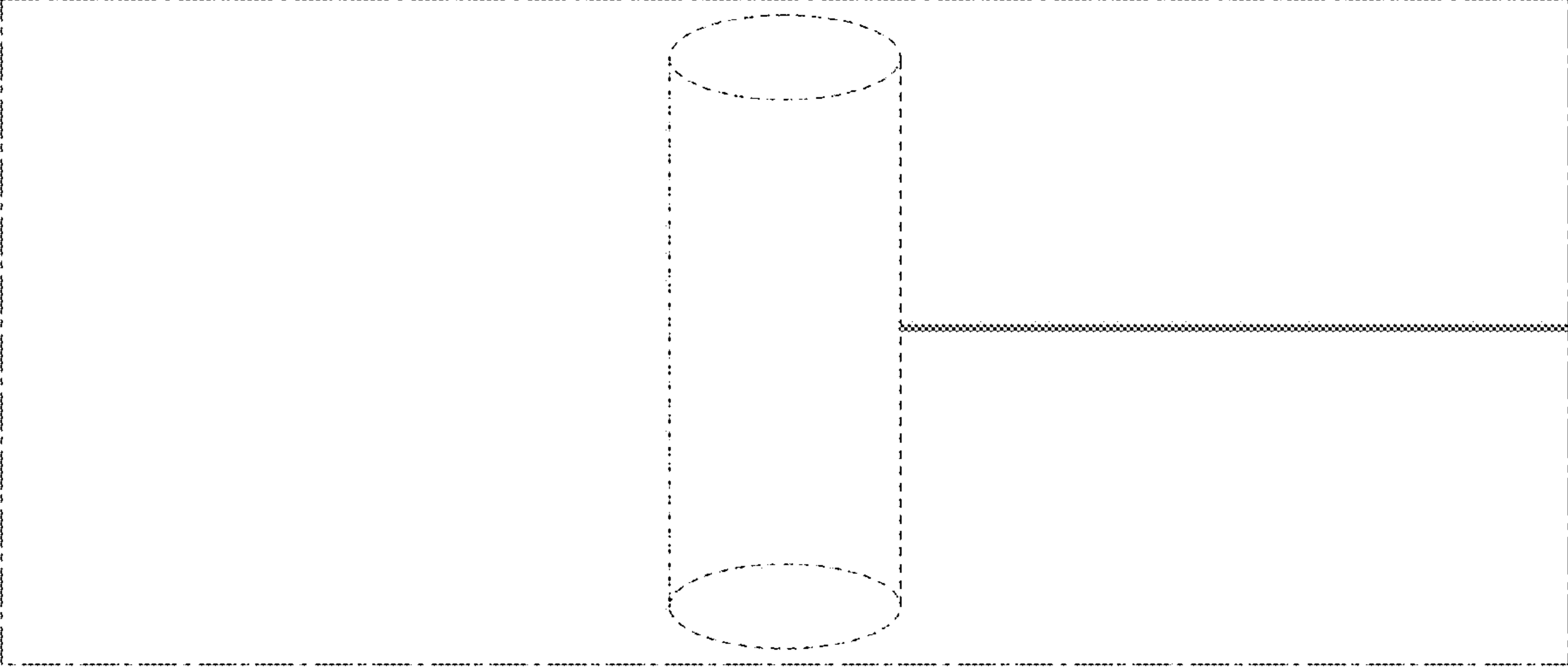


FIG. 23

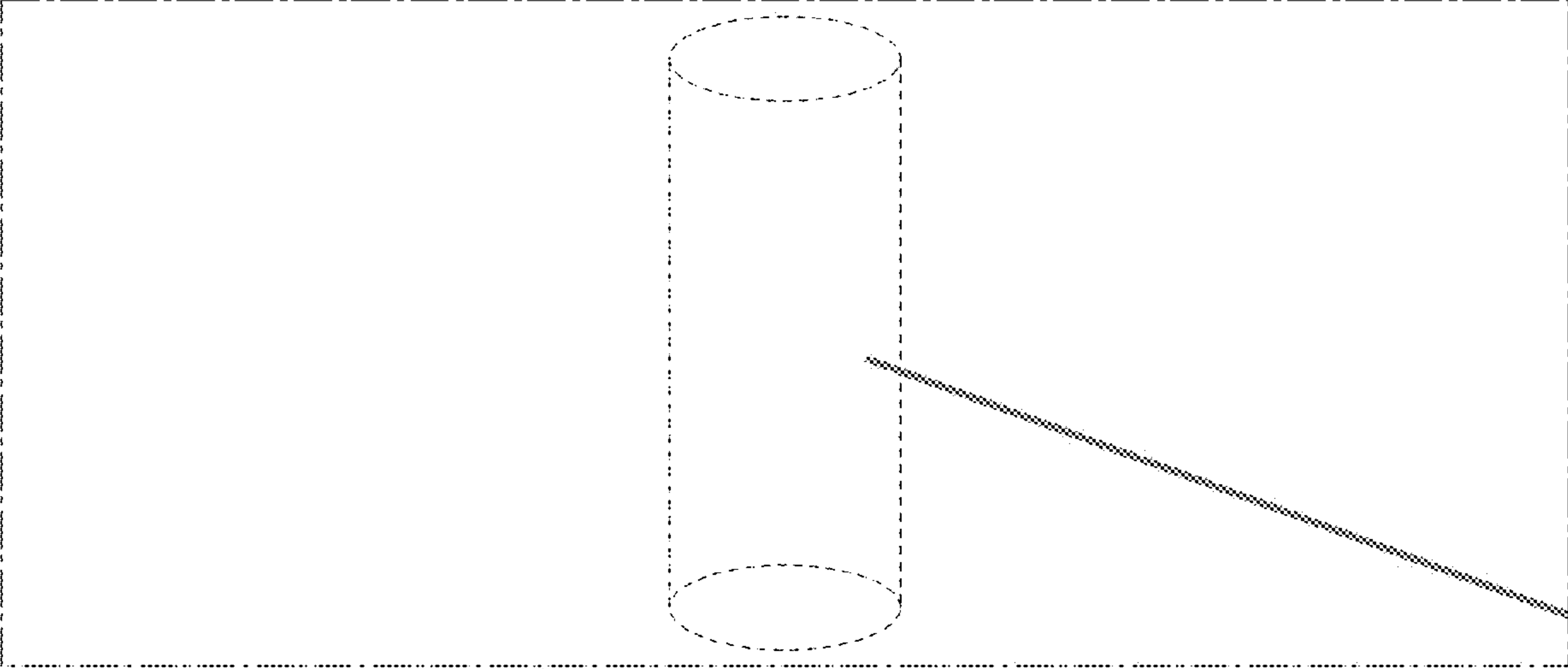


FIG. 24