



US00D888073S

(12) **United States Design Patent**  
**Griswold**

(10) **Patent No.:** **US D888,073 S**  
(45) **Date of Patent:** **\*\* Jun. 23, 2020**

(54) **DISPLAY SCREEN OR PORTION THEREOF WITH ANIMATED GRAPHICAL USER INTERFACE**

(71) Applicant: **Case Western Reserve University**,  
Cleveland, OH (US)

(72) Inventor: **Mark A. Griswold**, Shaker Heights,  
OH (US)

(73) Assignee: **Case Western Reserve University**,  
Cleveland, OH (US)

(\*\*) Term: **15 Years**

(21) Appl. No.: **29/671,580**

(22) Filed: **Nov. 28, 2018**

**Related U.S. Application Data**

(63) Continuation of application No. 29/601,331, filed on  
Apr. 21, 2017, now Pat. No. Des. 838,726.

(51) **LOC (12) Cl.** ..... **14-04**

(52) **U.S. Cl.**  
USPC ..... **D14/485**

(58) **Field of Classification Search**  
USPC ..... D14/485-495  
CPC .... G06F 17/211; G06F 17/212; G06F 3/1251;  
G06F 3/0481; G06F 2203/04807  
See application file for complete search history.

(56) **References Cited**

**U.S. PATENT DOCUMENTS**

5,870,092 A	2/1999	Bedford-Roberts
D469,442 S	1/2003	Bohlen
D479,531 S	9/2003	Yanagida
6,880,132 B2	4/2005	Uemura
D519,515 S	4/2006	Mugura

(Continued)

*Primary Examiner* — Daniel J Domino

(74) *Attorney, Agent, or Firm* — Quarles & Brady LLP

(57) **CLAIM**

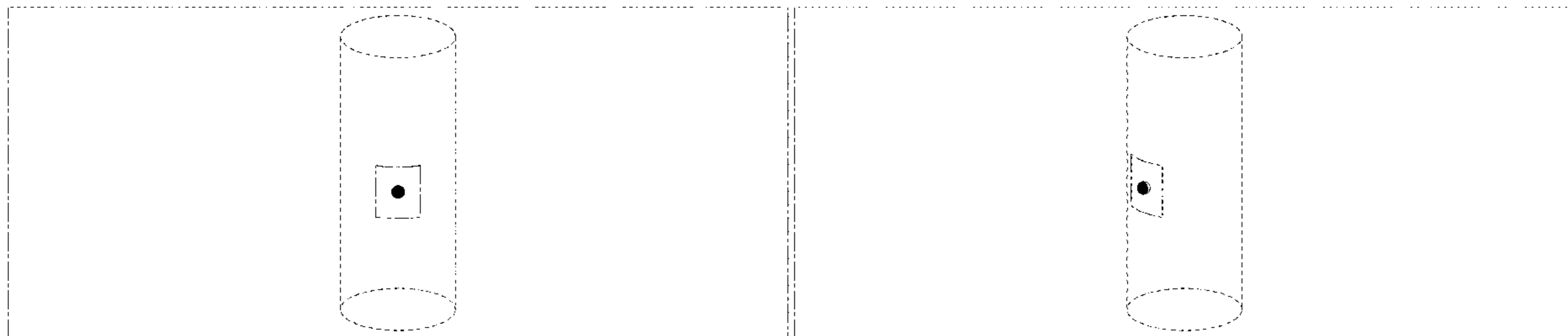
The ornamental design for a display screen or portion thereof with animated graphical user interface, as shown and described.

**DESCRIPTION**

FIG. 1 is a front view of a first image in a sequence for a display screen or portion thereof with animated graphical user interface showing my new design;  
FIG. 2 is a second image thereof;  
FIG. 3 is a third image thereof;  
FIG. 4 is a fourth image thereof;  
FIG. 5 is a fifth image thereof;  
FIG. 6 is a sixth image thereof;  
FIG. 7 is a seventh image thereof;  
FIG. 8 is an eighth image thereof;  
FIG. 9 is a second embodiment thereof, showing a front view of a first image in a sequence for a display screen or portion thereof with animated graphical user interface showing my new design;  
FIG. 10 is a second image thereof;  
FIG. 11 is a third image thereof;  
FIG. 12 is a fourth image thereof;  
FIG. 13 is a fifth image thereof;  
FIG. 14 is a sixth image thereof;  
FIG. 15 is a seventh image thereof; and,  
FIG. 16 is an eighth image thereof.

The appearance of the animated graphical user interface transitions sequentially between the images shown in FIGS. 1-8 in embodiment 1 and FIGS. 9-16 in embodiment 2. The process or period in which one image transitions to another forms no part of the claimed design. The dot-dash broken lines showing a display screen or portion thereof and elements of the graphical user interface, as well as the regular broken lines showing elements of the graphical user interface illustrate portions of the article. No subject matter shown in broken lines form part of the claimed design.

**1 Claim, 8 Drawing Sheets**



(56)

References Cited

U.S. PATENT DOCUMENTS

D553,146 S 10/2007 Byeon  
 7,386,799 B1 6/2008 Clanton  
 D580,947 S 11/2008 Onai  
 7,479,949 B2 1/2009 Jobs  
 D616,503 S \* 5/2010 Scatterday ..... D20/28  
 D622,283 S 8/2010 Van Os  
 D625,324 S \* 10/2010 Fitzmaurice ..... D14/488  
 D626,648 S \* 11/2010 Ahlgren ..... D24/130  
 D630,321 S \* 1/2011 Hamilton, Jr. .... D24/133  
 D630,729 S \* 1/2011 Bierman ..... D24/112  
 7,988,553 B2 8/2011 Kastner  
 D648,851 S \* 11/2011 Copeland ..... D24/112  
 8,066,644 B2 \* 11/2011 Sarkar ..... A61B 8/587  
 600/427  
 D664,992 S 8/2012 Pizzutelli  
 D665,418 S 8/2012 Pizzutelli  
 D689,874 S \* 9/2013 Brinda ..... D14/485  
 8,585,598 B2 11/2013 Razzaque  
 D700,192 S \* 2/2014 Kaplan ..... D14/485  
 D705,250 S \* 5/2014 Khanna ..... D14/488  
 8,750,568 B2 6/2014 Frank  
 D716,832 S 11/2014 Schoger  
 D718,781 S \* 12/2014 Arnold ..... D14/486  
 D719,583 S \* 12/2014 Edwards ..... D14/488  
 D720,366 S \* 12/2014 Hiltunen ..... D14/487  
 D720,770 S \* 1/2015 Lacour ..... D14/487  
 D720,771 S \* 1/2015 Lacour ..... D14/487  
 D726,208 S \* 4/2015 Dorfmann ..... D14/486  
 D743,977 S \* 11/2015 dela Cruz ..... D14/485  
 D748,137 S \* 1/2016 Merschon ..... D14/492  
 D753,150 S \* 4/2016 Chmiel ..... D14/485  
 D753,712 S \* 4/2016 Lee ..... G06F 3/04817  
 D14/489  
 D754,716 S \* 4/2016 Davis ..... D14/487  
 D755,205 S \* 5/2016 Sanderson ..... D14/485  
 D758,403 S \* 6/2016 Lee ..... D14/486  
 D760,790 S \* 7/2016 Ishii ..... G06F 3/04817  
 D14/494  
 D761,313 S \* 7/2016 Quinn ..... D14/492

D761,808 S \* 7/2016 Quinn ..... D14/485  
 D761,840 S \* 7/2016 Patterson ..... D14/488  
 D762,665 S \* 8/2016 Lee ..... D14/485  
 D764,549 S \* 8/2016 Cavander ..... G06F 3/04817  
 D14/494  
 D765,681 S \* 9/2016 Nagel ..... D14/486  
 D766,961 S \* 9/2016 Choi ..... D14/487  
 D769,891 S \* 10/2016 Cho ..... D14/485  
 D780,982 S \* 3/2017 Starck ..... D26/93  
 D781,314 S \* 3/2017 Astrom ..... D14/486  
 D785,656 S \* 5/2017 Bramer ..... D14/486  
 D790,581 S 6/2017 Chaudhri  
 D791,144 S \* 7/2017 Li ..... D14/485  
 D791,146 S \* 7/2017 Su ..... D14/485  
 D792,894 S \* 7/2017 Dzijind ..... D14/486  
 D795,909 S \* 8/2017 Hirai ..... D14/486  
 D815,648 S \* 4/2018 Iyer ..... D14/486  
 D819,074 S \* 5/2018 Chow ..... D14/489  
 D822,698 S \* 7/2018 Kim ..... D14/486  
 D835,126 S \* 12/2018 Sakata ..... D14/485  
 D835,129 S \* 12/2018 Yamazaki ..... D14/485  
 D836,123 S \* 12/2018 Pillalamarri ..... D14/486  
 D838,728 S \* 1/2019 Samanta ..... D14/485  
 D865,775 S \* 11/2019 Jones ..... D14/485  
 D866,590 S \* 11/2019 Akagawa ..... D14/488  
 D868,801 S \* 12/2019 Anno ..... D14/485  
 D868,802 S \* 12/2019 Tzeng ..... D14/485  
 D868,803 S \* 12/2019 Suslik ..... D14/485  
 D869,483 S \* 12/2019 Wilde ..... D14/486  
 D869,494 S \* 12/2019 Guo ..... D14/486  
 D869,495 S \* 12/2019 Pillalamarri ..... D14/486  
 D869,499 S \* 12/2019 Cronin ..... D14/491  
 D870,122 S \* 12/2019 Yoshioka ..... D14/485  
 D870,763 S \* 12/2019 Kiefer ..... D14/486  
 D871,423 S \* 12/2019 Butler ..... D14/485  
 D872,751 S \* 1/2020 Ziezold ..... D14/485  
 D873,279 S \* 1/2020 Dye ..... D14/485  
 2008/0036776 A1 2/2008 Niles  
 2009/0243957 A1 10/2009 Ni  
 2010/0229130 A1 9/2010 Edge  
 2017/0212967 A1 7/2017 Dexter

\* cited by examiner

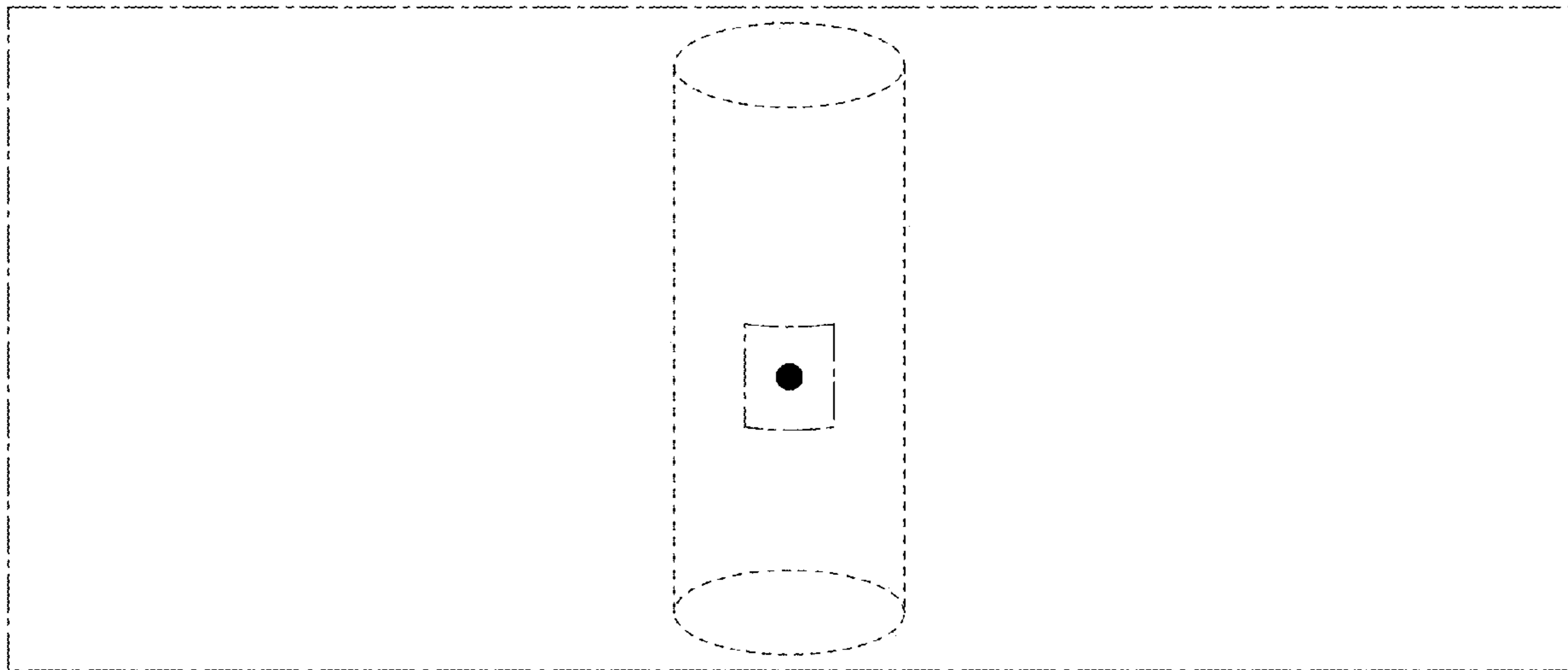


FIG. 1

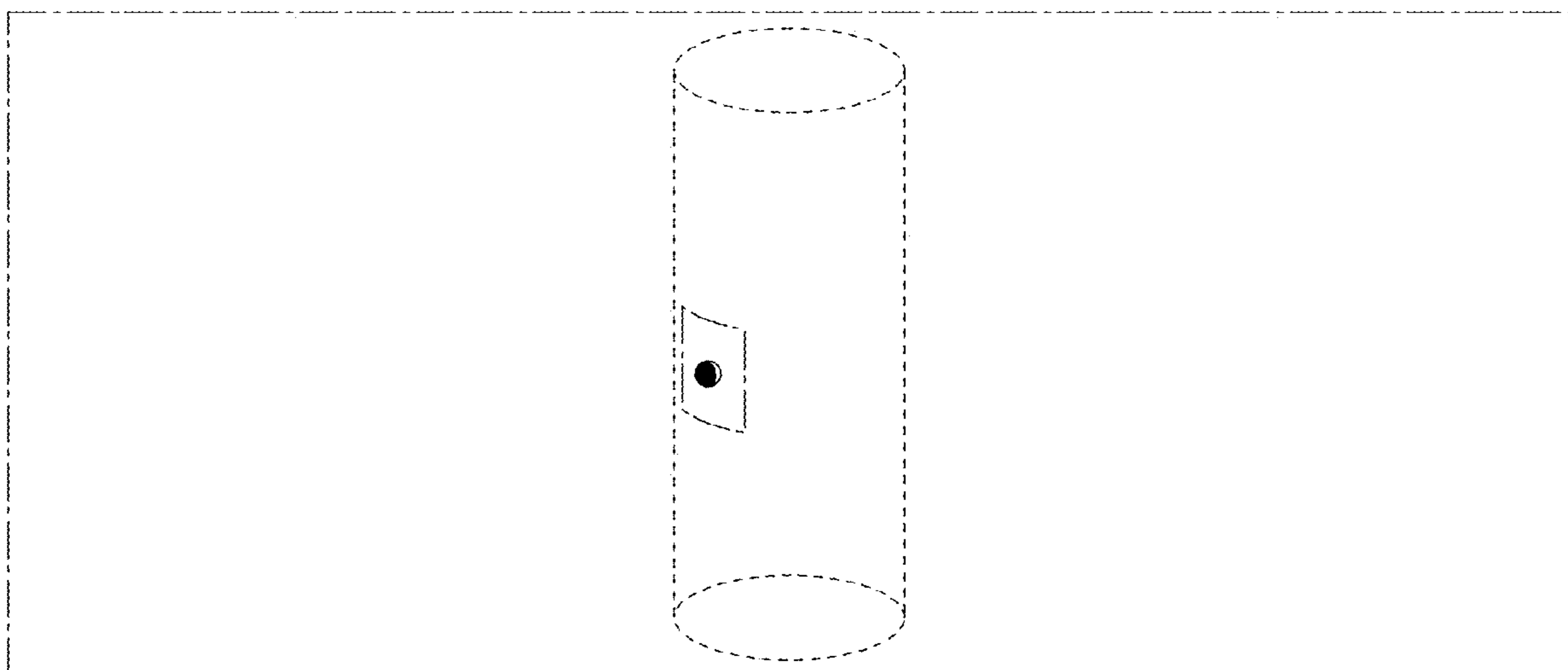


FIG. 2

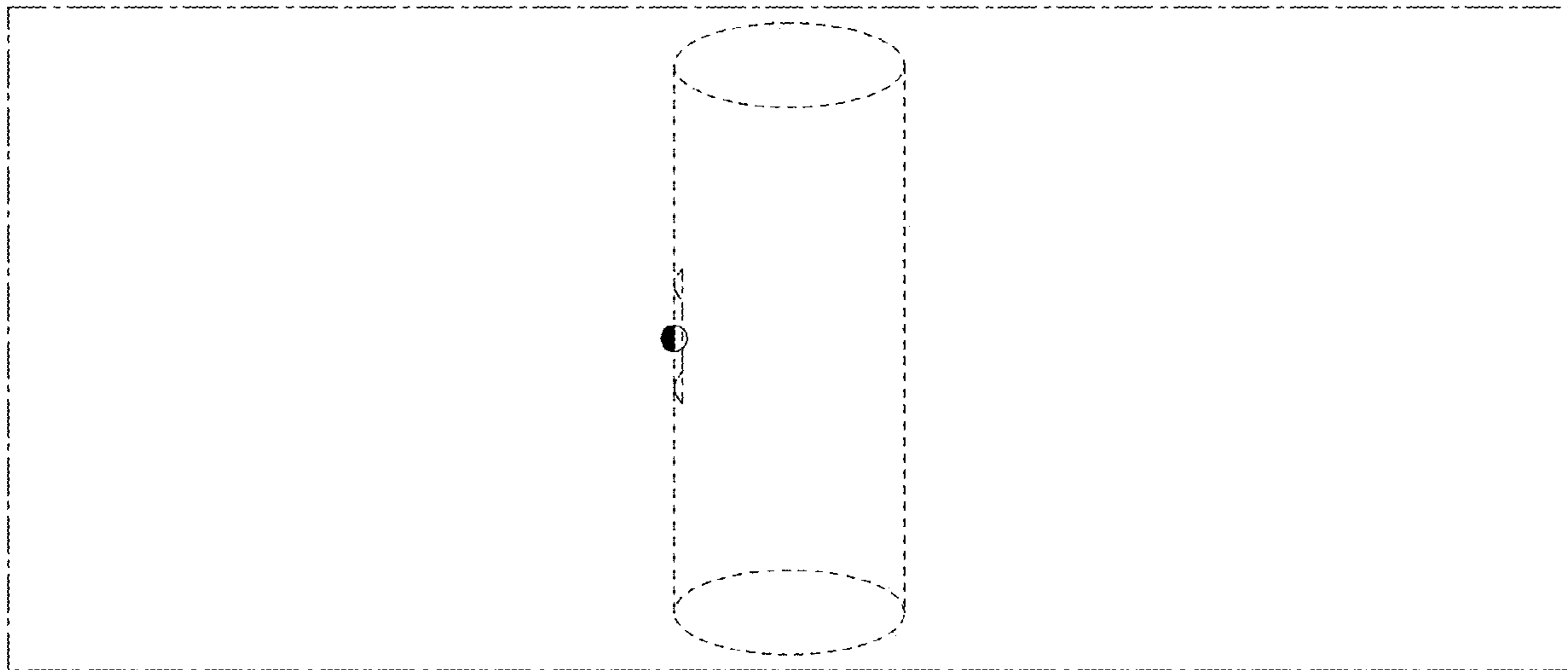


FIG. 3

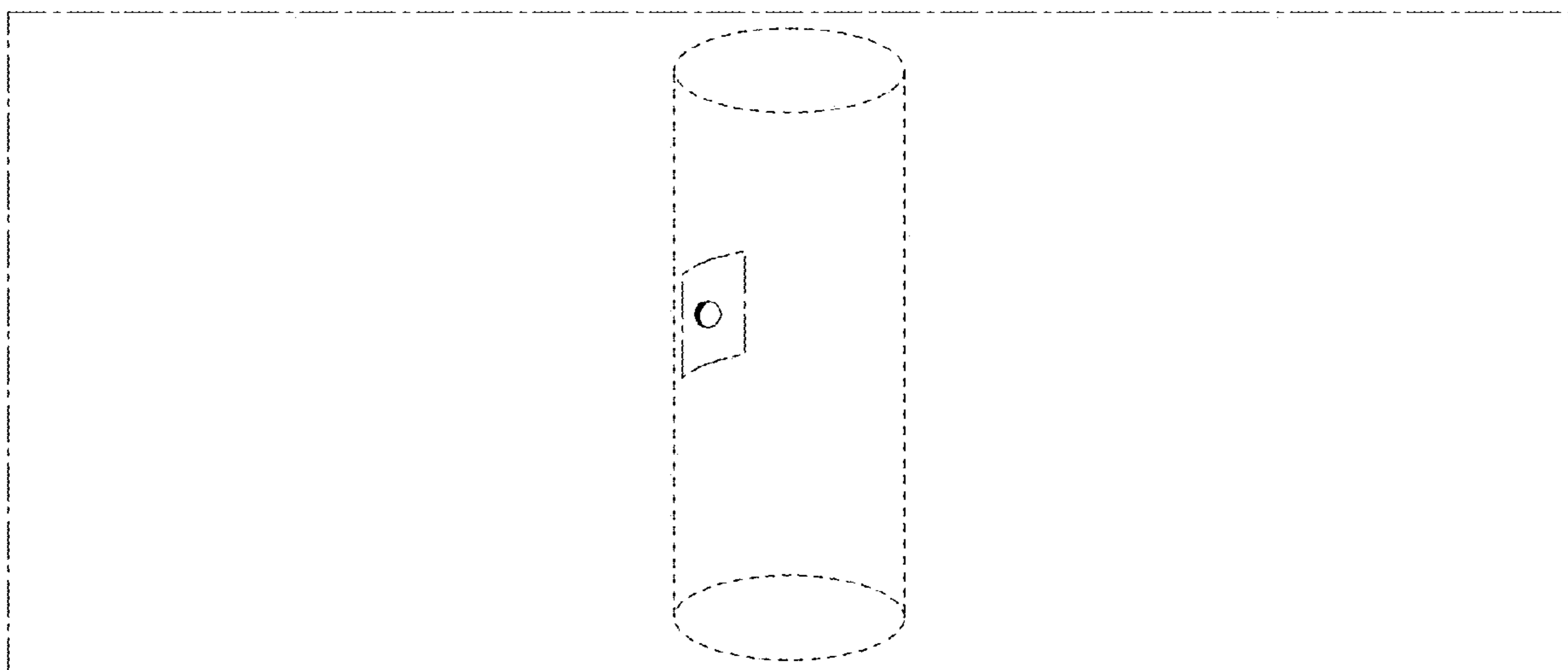


FIG. 4

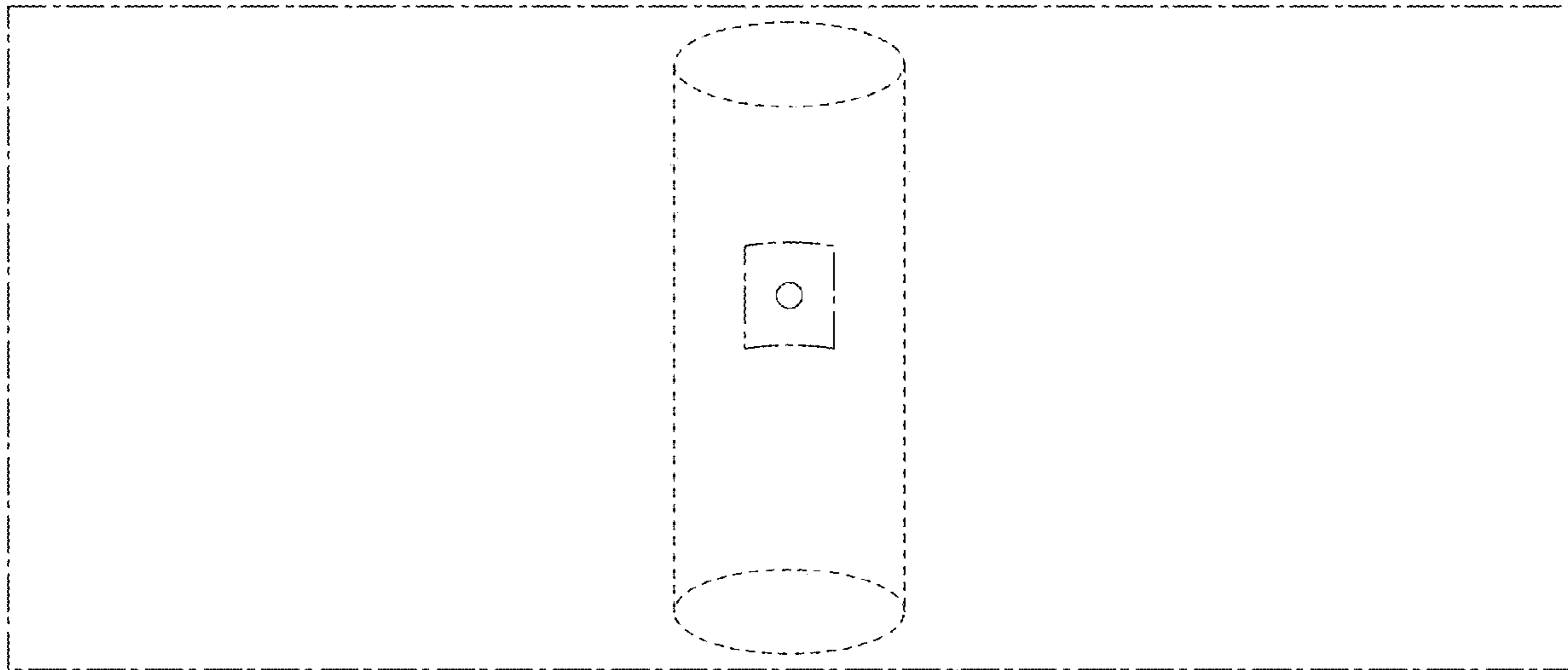


FIG. 5

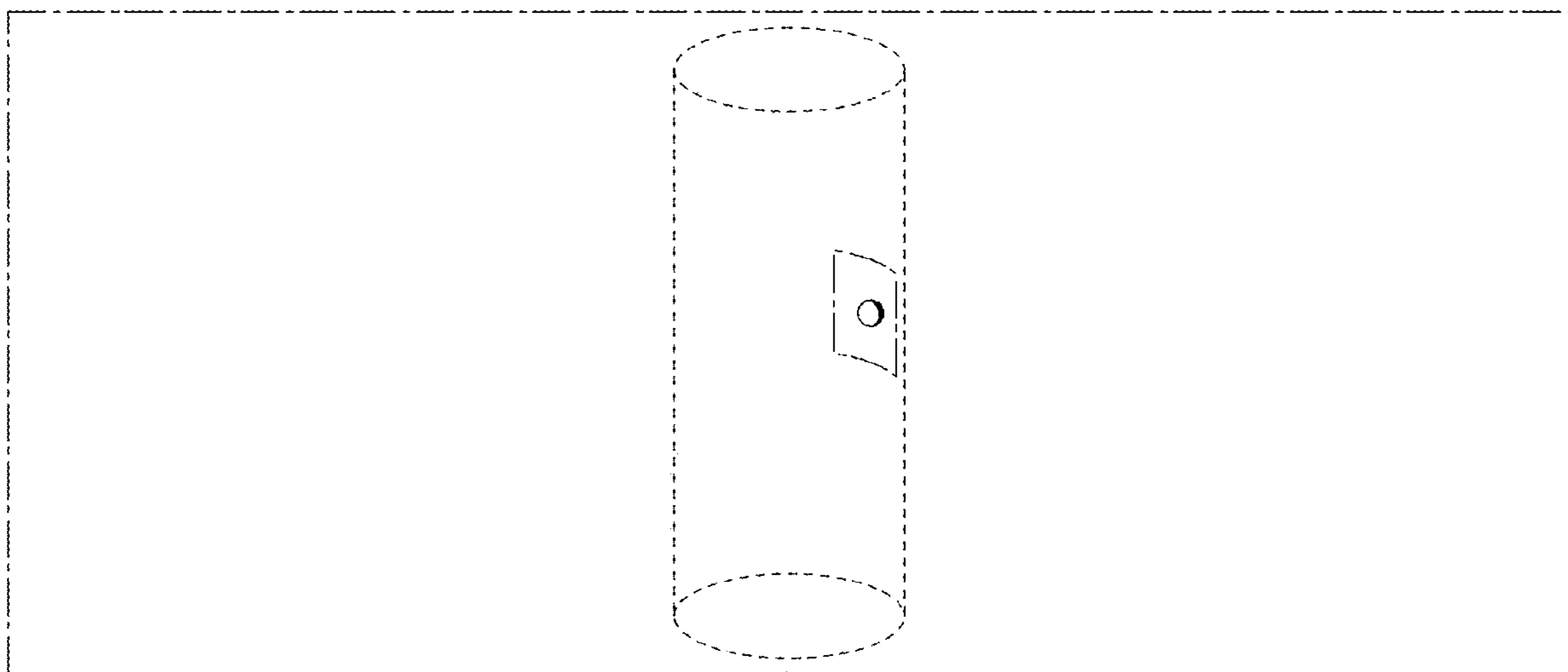


FIG. 6

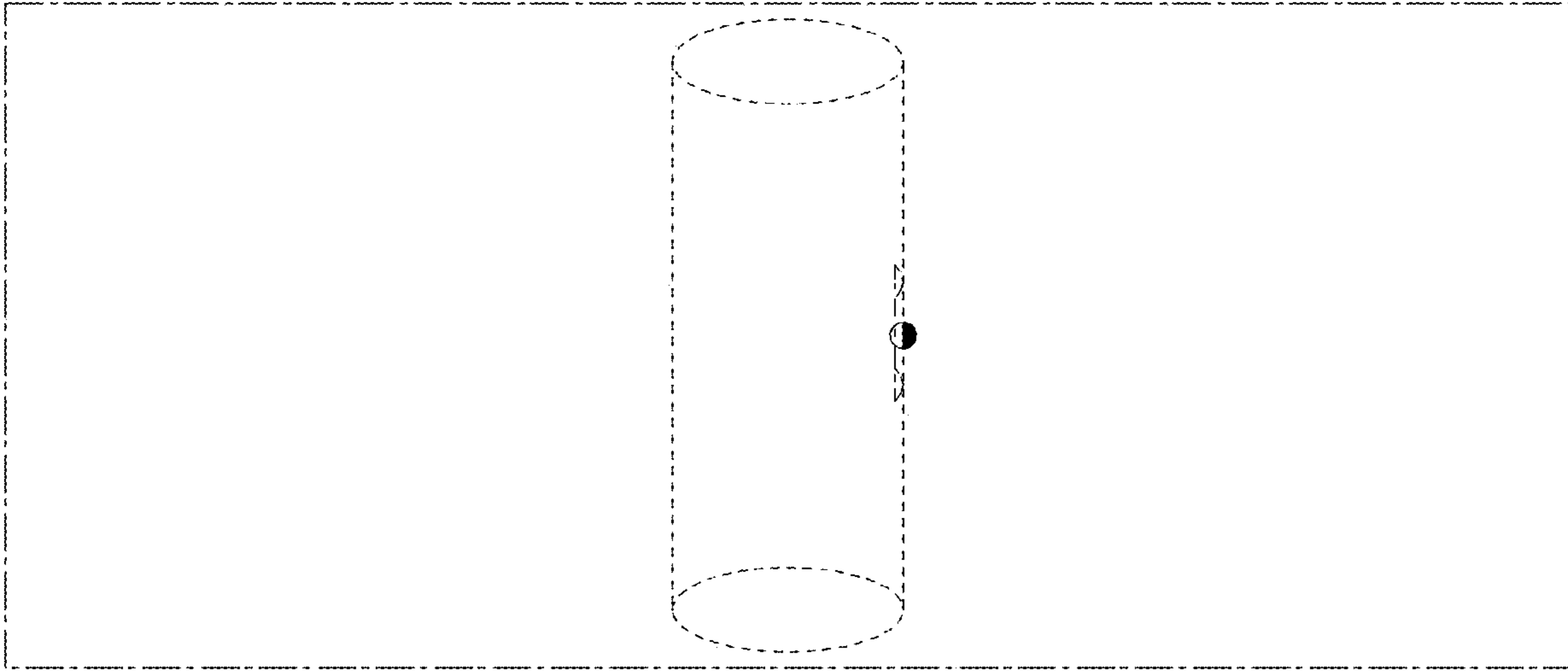


FIG. 7

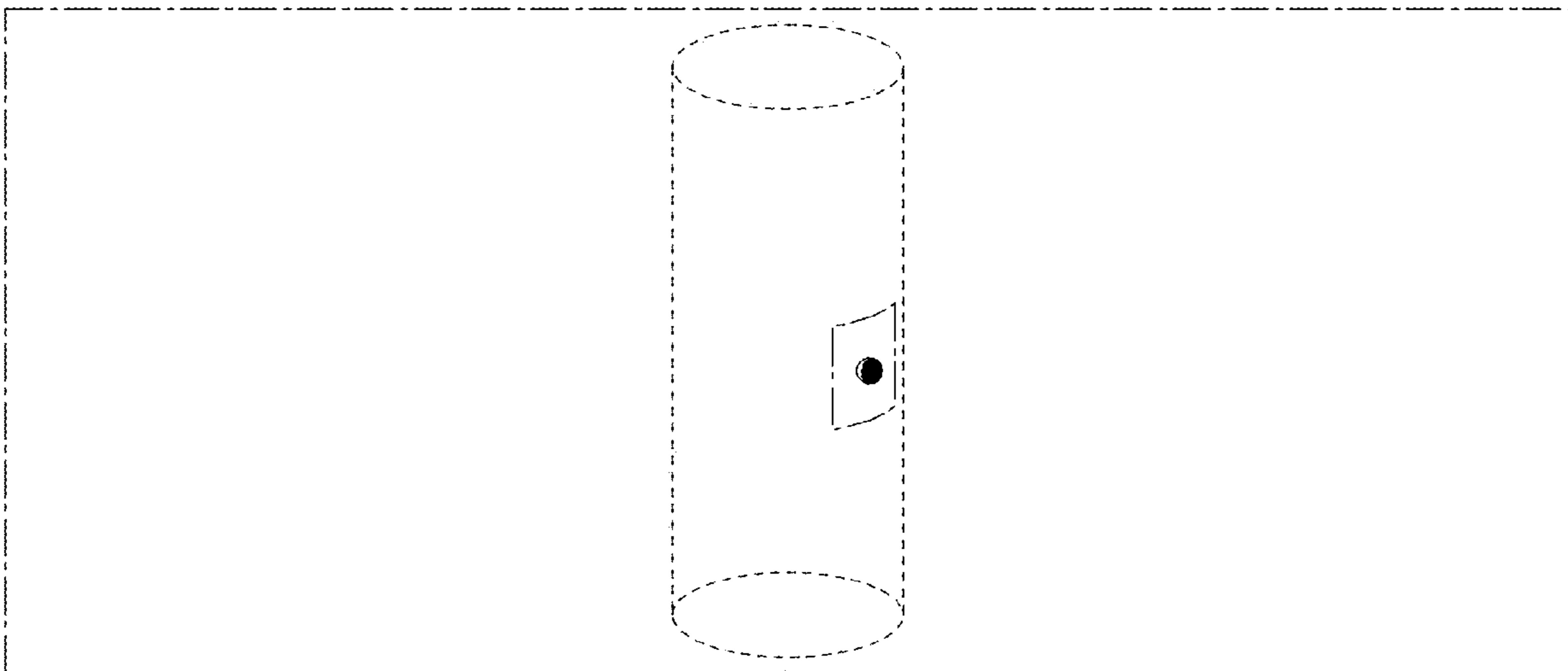


FIG. 8

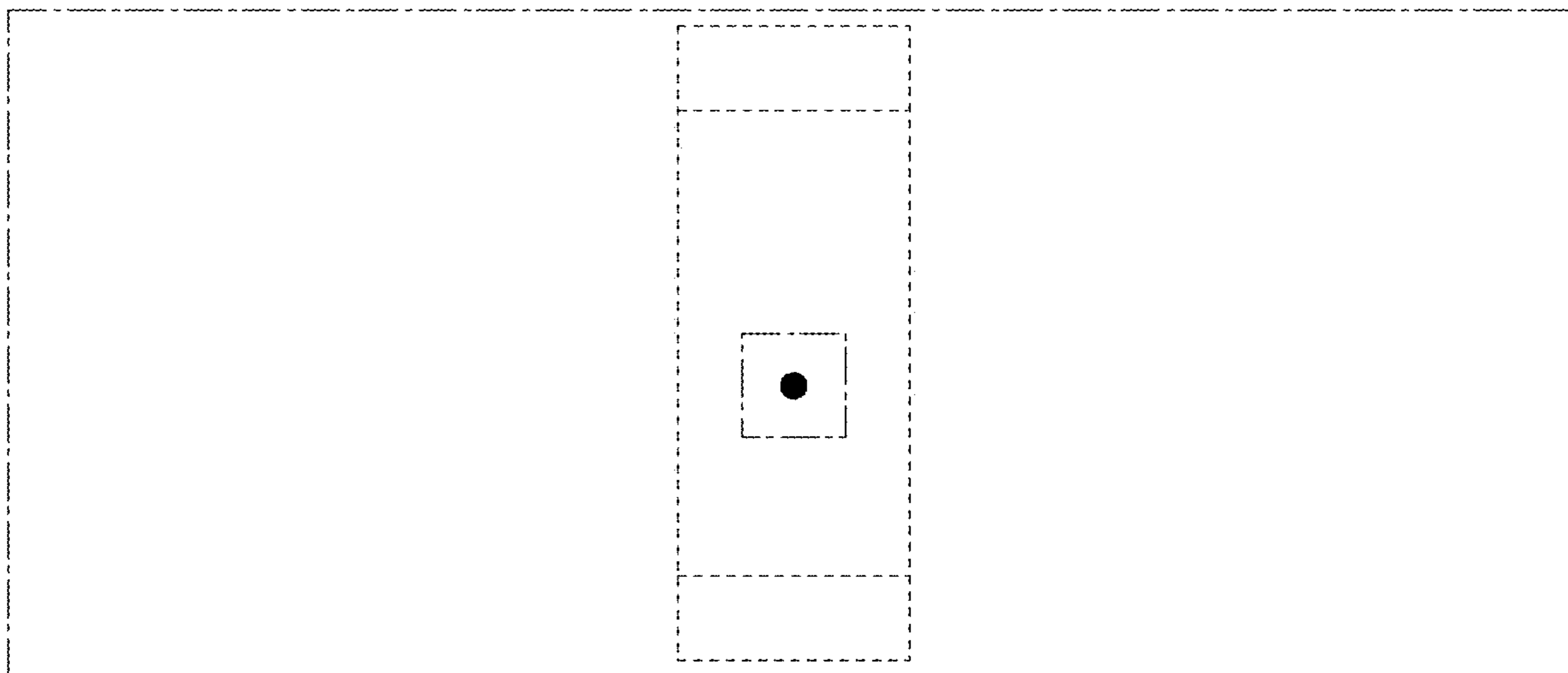


FIG. 9

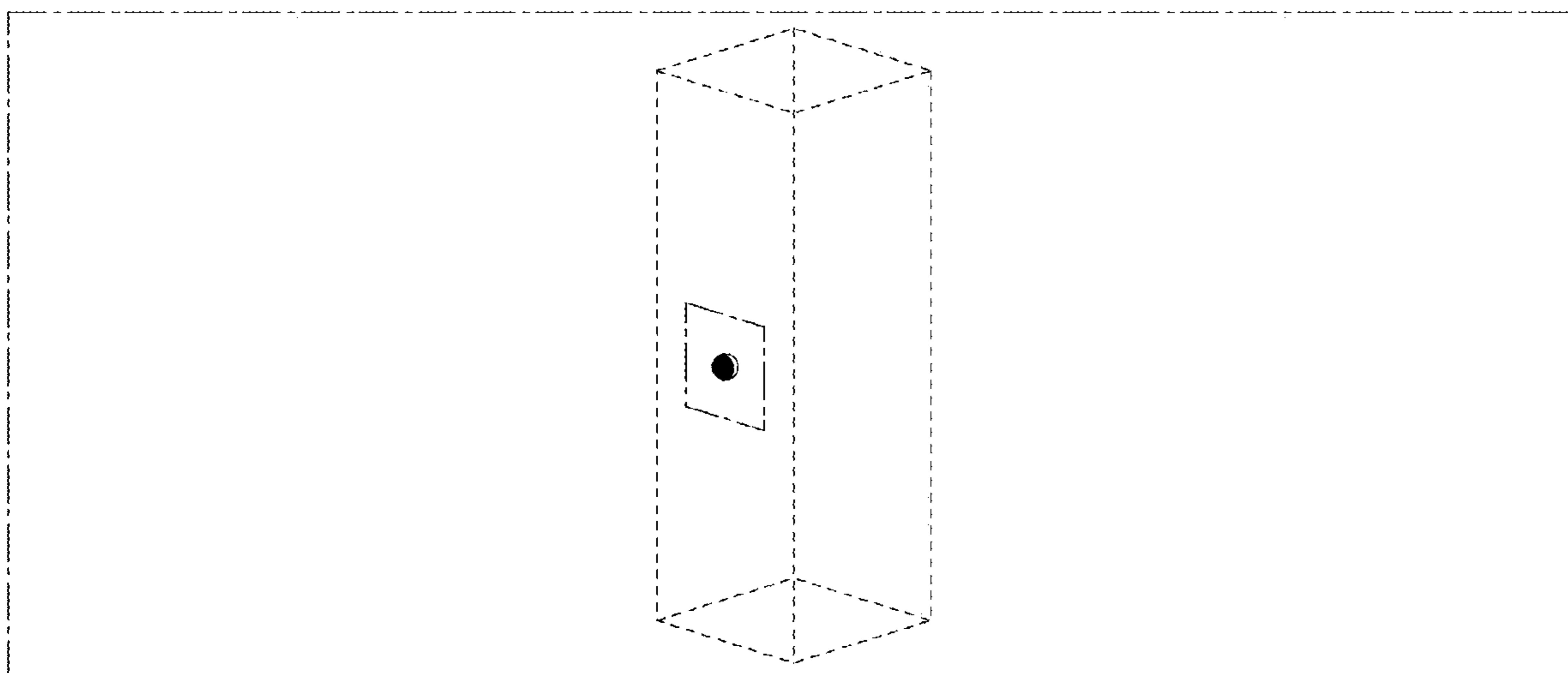


FIG. 10

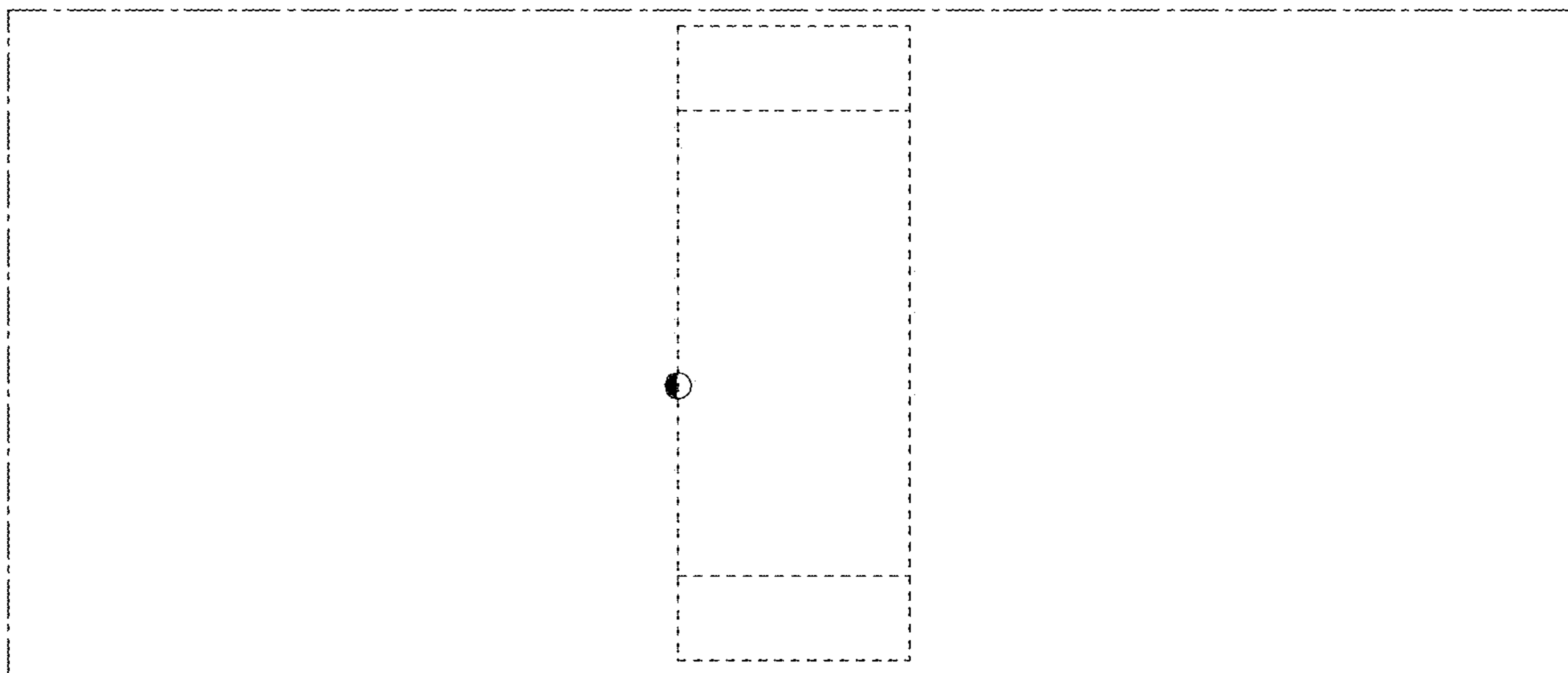


FIG. 11

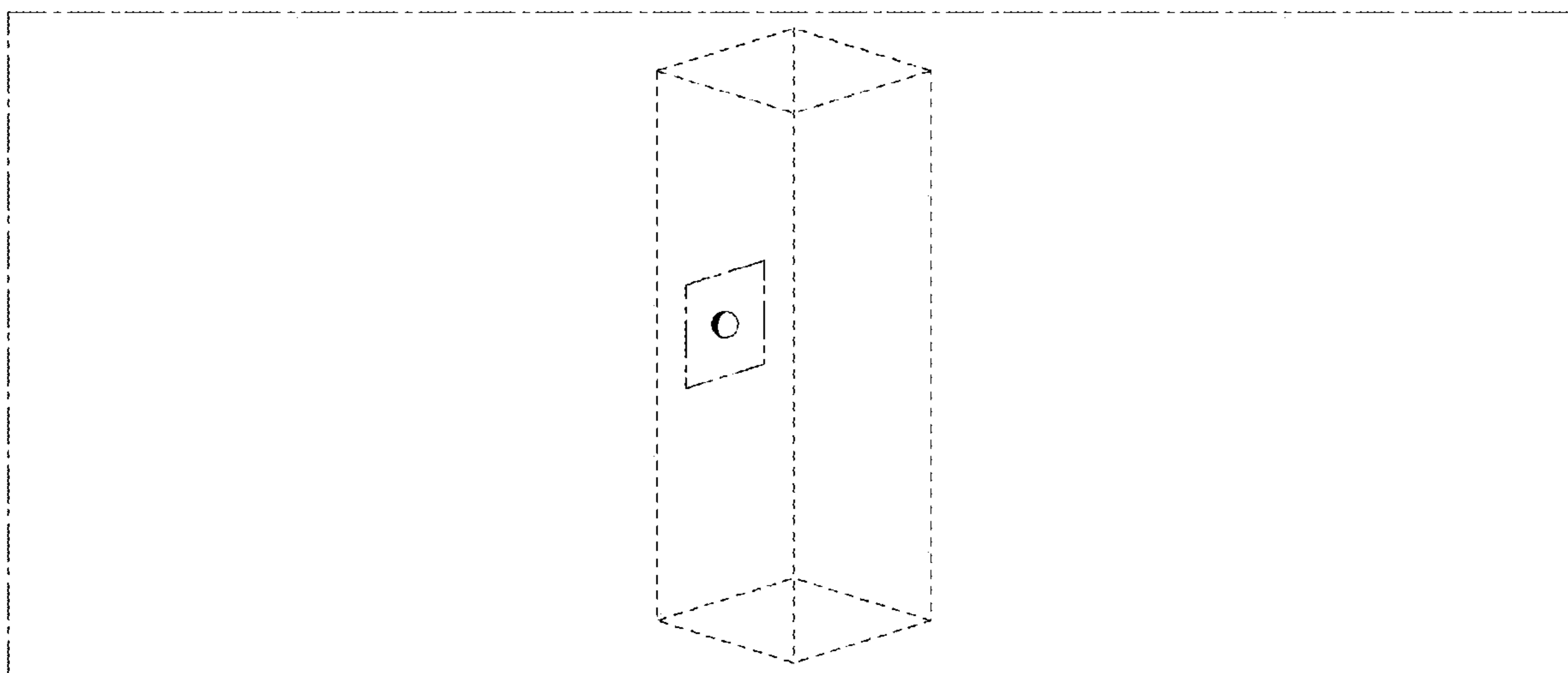


FIG. 12



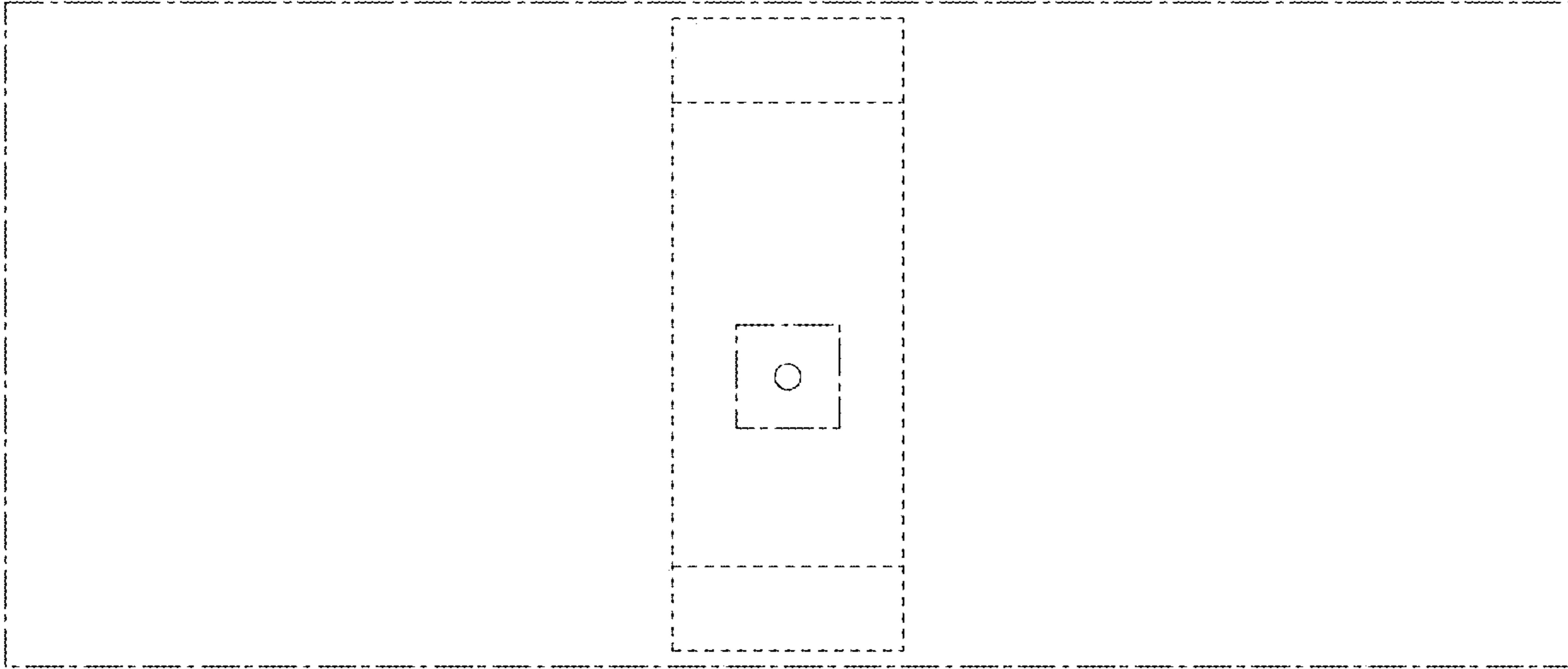


FIG. 13

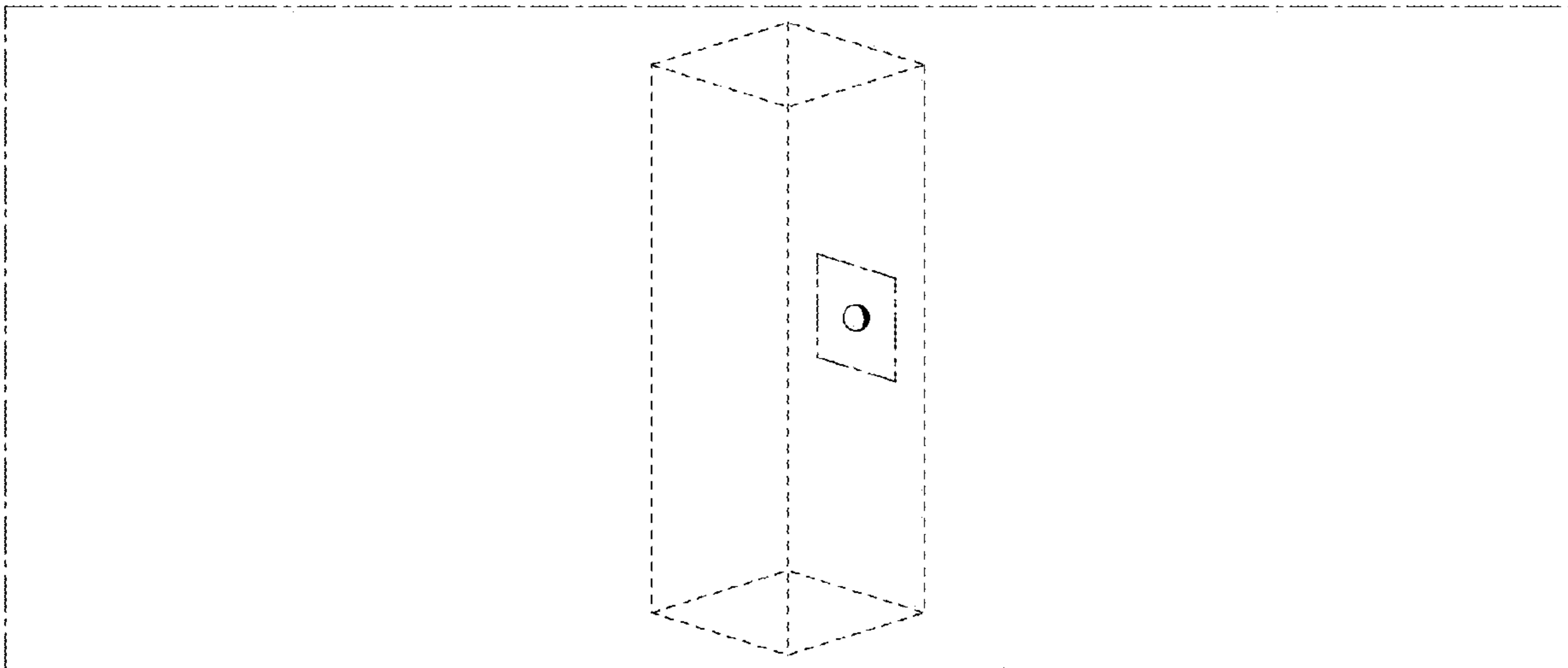


FIG. 14

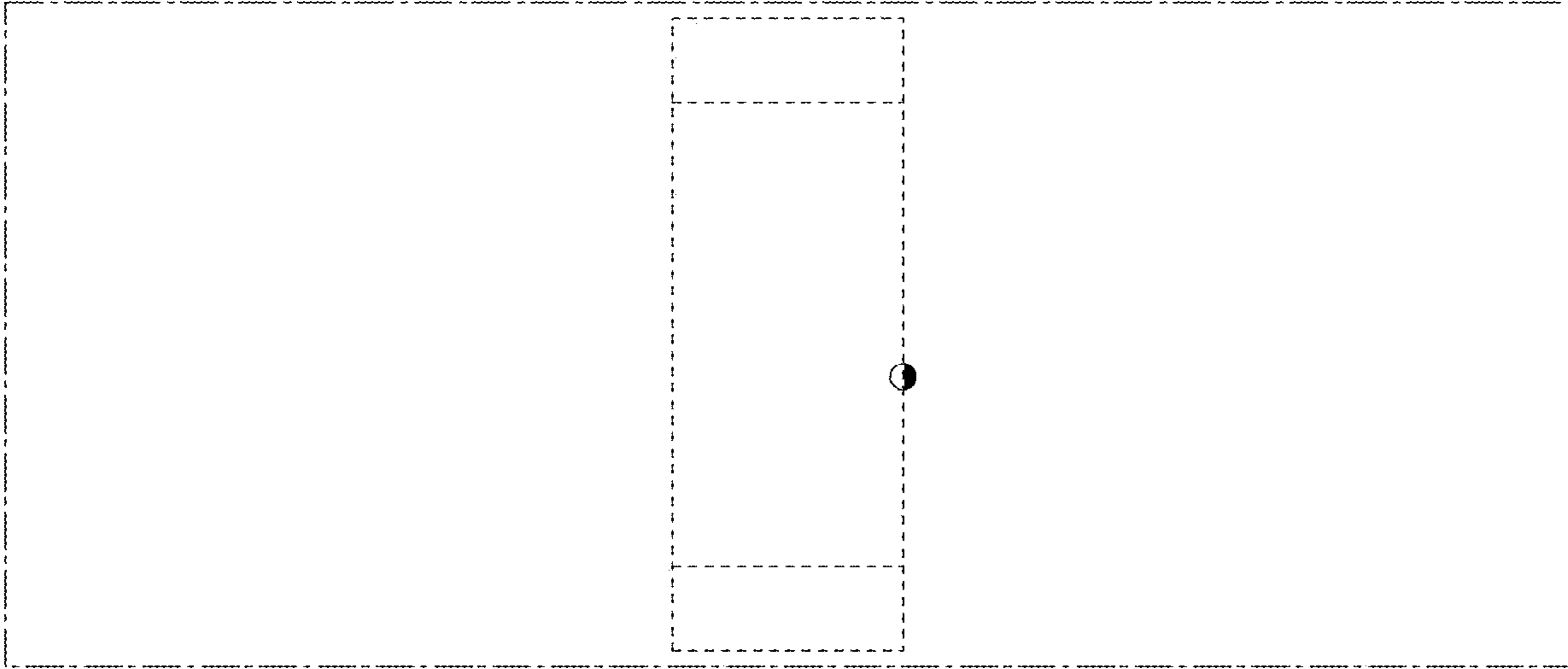


FIG. 15

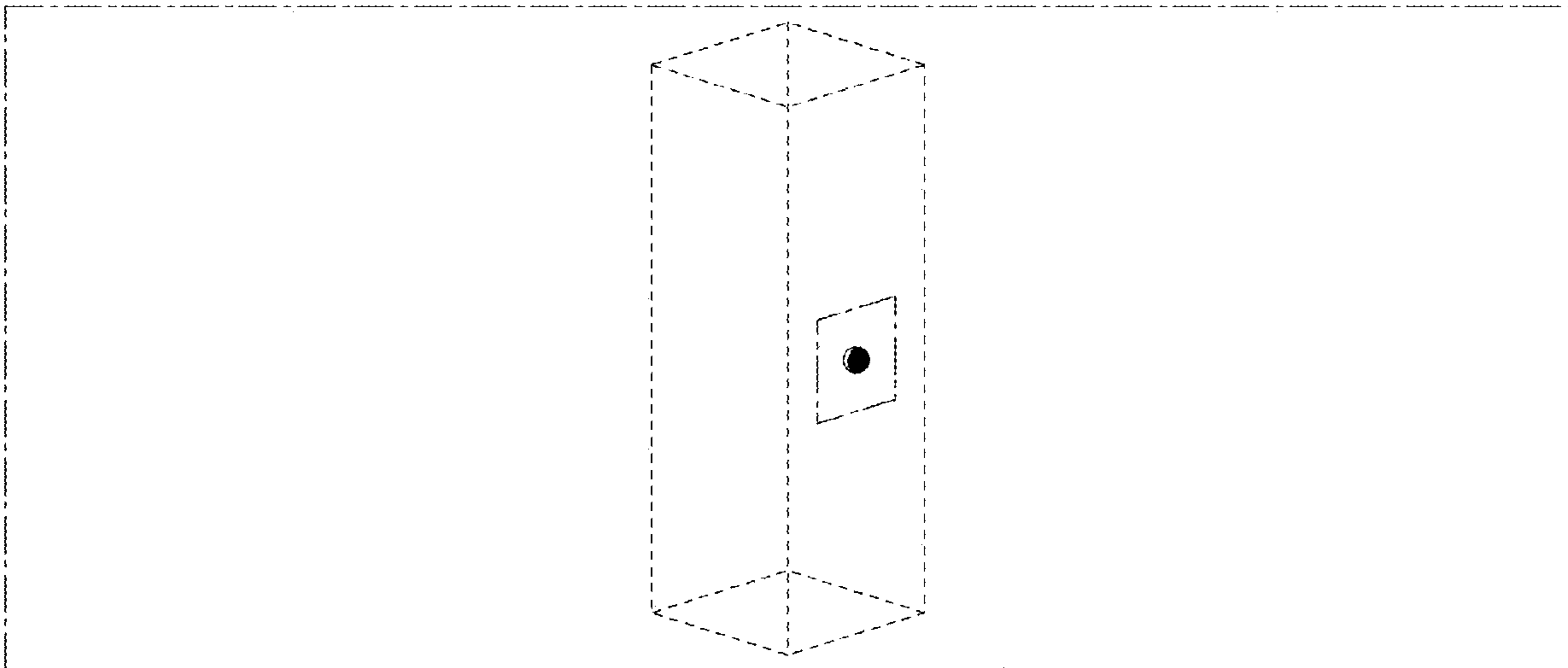


FIG. 16