



US00D888067S

(12) **United States Design Patent** (10) **Patent No.:** **US D888,067 S**
Seo et al. (45) **Date of Patent:** **** Jun. 23, 2020**

(54) **COMPUTER MONITOR**

(71) Applicant: **Samsung Electronics Co., Ltd.**,
Suwon-si (KR)

(72) Inventors: **Young Jin Seo**, Seoul (KR); **Taeyeon Won**, Yongin-si (KR)

(73) Assignee: **SAMSUNG ELECTRONICS CO., LTD.**, Suwon-si (KR)

(**) Term: **15 Years**

(21) Appl. No.: **29/681,077**

(22) Filed: **Feb. 22, 2019**

(30) **Foreign Application Priority Data**

Aug. 27, 2018 (KR) 30-2018-0039684

(51) **LOC (12) Cl.** **14-02**

(52) **U.S. Cl.**
USPC **D14/451**

(58) **Field of Classification Search**
USPC D14/371-382, 125-129, 335-337,
D14/447-452, 492, 239, 457, 439-441,
D14/432, 251-253; D8/349, 354, 363,
D8/373, 376, 380; 348/180, 184, 325,
348/739, 825; D12/407, 415; D3/218;
341/12
CPC G06F 3/0412; G06F 3/016; G06F 3/0488;
G06F 3/011; G06F 3/038; G06F 3/03543;
G06F 3/0338; G06F 3/0202; G06F
3/0219; G06F 3/0213; G06F 1/1616;
G06F 3/023; G06F 3/04883; G02F
1/13338; G02F 1/1313; G02F 1/1333;
G02F 1/135; G02F 1/132; G02F
1/133308; G02F 1/134309; G02F
1/13718; G09G 3/3648; G06K 15/1252;
G03F 7/70291; G02B 27/0172; G02B
5/30; G02B 2027/0118; G02B 27/0101;
F16M 13/02; F16M 13/00; F16M
(Continued)

(56) **References Cited**

U.S. PATENT DOCUMENTS

D652,045 S * 1/2012 Hong D14/447
D694,208 S 11/2013 Duys et al.
(Continued)

FOREIGN PATENT DOCUMENTS

EM 003055771-0005 4/2016
KR 30-0687001 S 3/2013
KR 30-0757709 S 8/2014

OTHER PUBLICATIONS

LG, "34UC97 21:9 Curved UltraWide Monitor 34UC97", published at www.lg.com: <http://www.lg.com/hk_en/monitor/lg-34UC97> (Last accessed Feb. 18, 2019).
(Continued)

Primary Examiner — Katie Jane Stofko
(74) *Attorney, Agent, or Firm* — McAndrews Held & Malloy, Ltd.

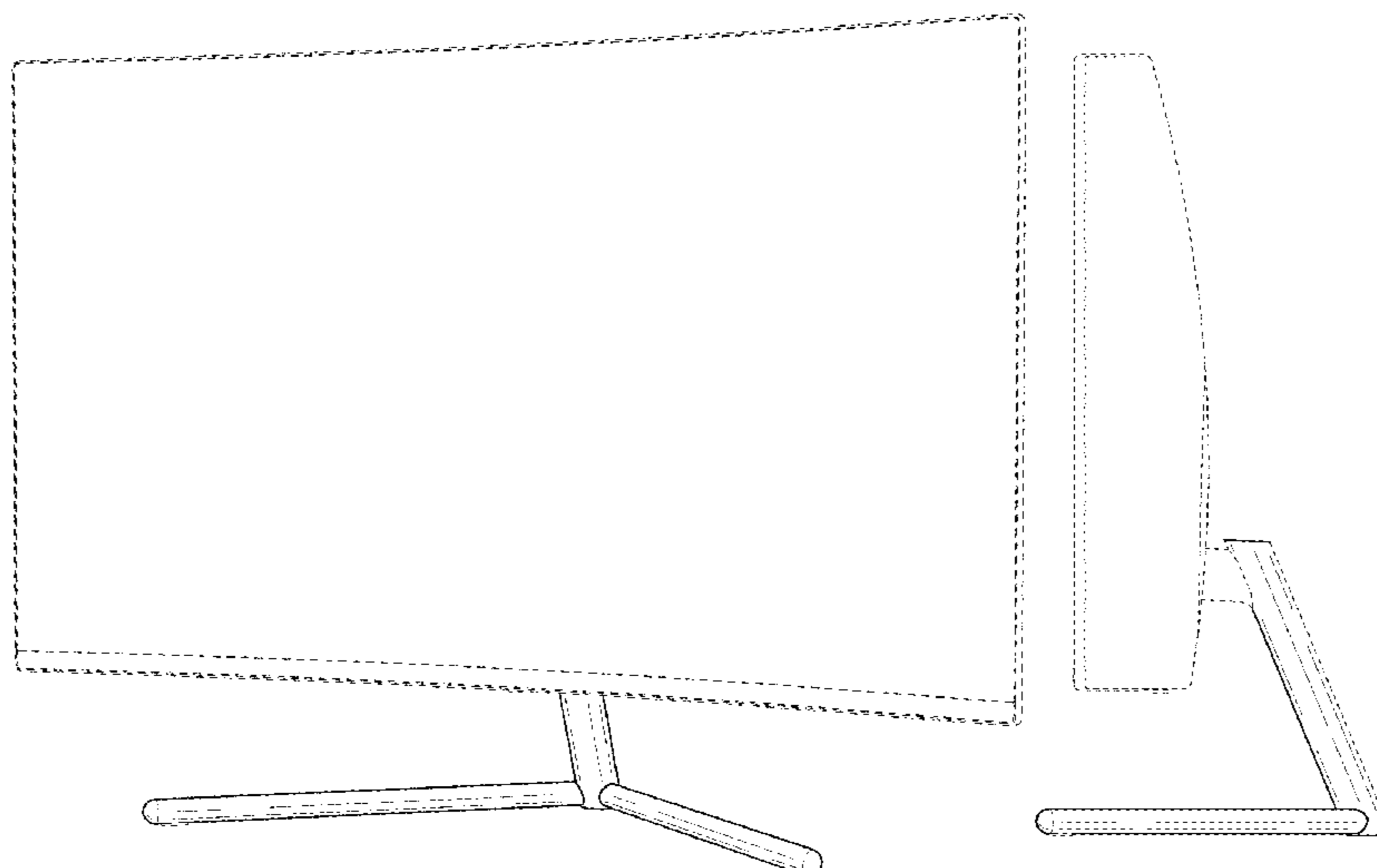
(57) **CLAIM**

The ornamental design for a computer monitor, as shown and described.

DESCRIPTION

FIG. 1 is a front perspective view of a computer monitor showing our new design;
FIG. 2 is a front elevation view thereof;
FIG. 3 is a rear elevation view thereof;
FIG. 4 is a left side elevation view thereof;
FIG. 5 is a right side elevation view thereof;
FIG. 6 is a top plan view thereof;
FIG. 7 is a bottom plan view thereof; and,
FIG. 8 is a rear perspective view thereof.
The evenly-spaced dashed broken lines in the figures depict portions of the computer monitor that form no part of the claimed design.

1 Claim, 8 Drawing Sheets



(58) **Field of Classification Search**

CPC 11/10; F16M 11/04; F16M 2200/08; F16M
11/2021; F16B 47/00; F16B 47/006;
H02G 3/126; A47G 1/17; A47K 2201/00;
B41J 2/465; A47B 21/0314; A47B 88/044
See application file for complete search history.

(56) **References Cited**

U.S. PATENT DOCUMENTS

D711,333	S	*	8/2014	Kim	D14/126
D725,616	S	*	3/2015	Oh	D14/126
D725,661	S	*	3/2015	Snyder	D14/451
D743,953	S	*	11/2015	Ann	D14/239
D745,864	S	*	12/2015	Jung	D14/239
D758,373	S	*	6/2016	Kim	D14/451
D760,706	S	*	7/2016	Son	D14/239
D786,262	S	*	5/2017	Kim	D14/451
D796,463	S	*	9/2017	So	D14/126
D800,706	S	*	10/2017	Ann	D14/239
D819,616	S	*	6/2018	So	D14/239
D822,670	S	*	7/2018	Hubert	D14/451

OTHER PUBLICATIONS

Unknown, "Multi-purpose monitor for optimal viewing experience", published at www.benq.com: <<http://www.benq.co.kr/product/monitor/xr3501/>> (Last accessed Feb. 18, 2019).

Unknown, "Lenovo Y27g e Y27g Razer Edition, monitor curvi da 144Hz e NVIDIA G-Sync", published at www.hwupgrade.it: <http://www.hwupgrade.it/news/periferiche/lenovo-y27g-e-y27g-razer-edition-monitor-curvi-da-144hz-e-nvidia-g-sync_60117.html> (Last accessed Feb. 18, 2019).

* cited by examiner

FIG. 1

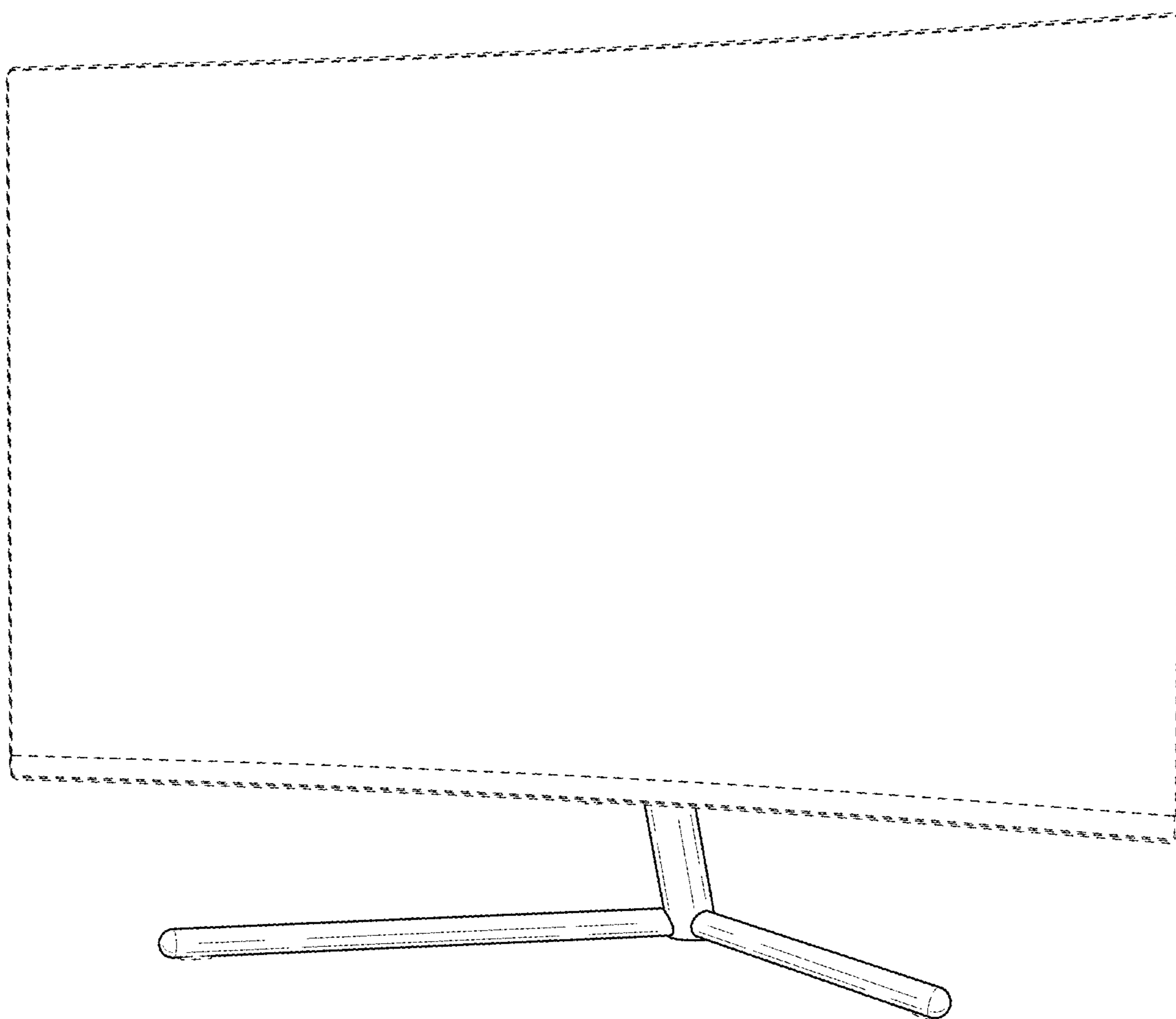


FIG. 2

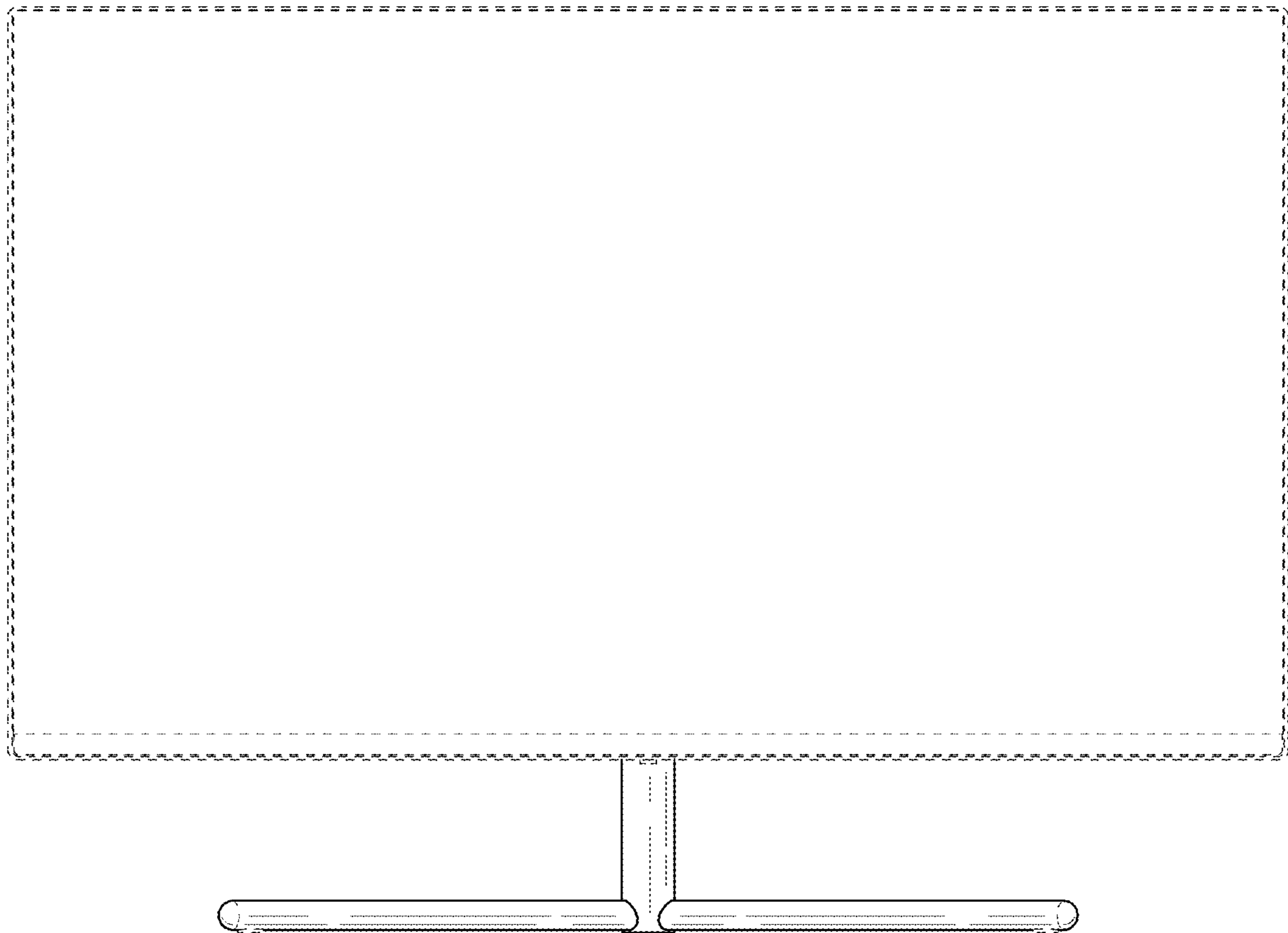


FIG. 3

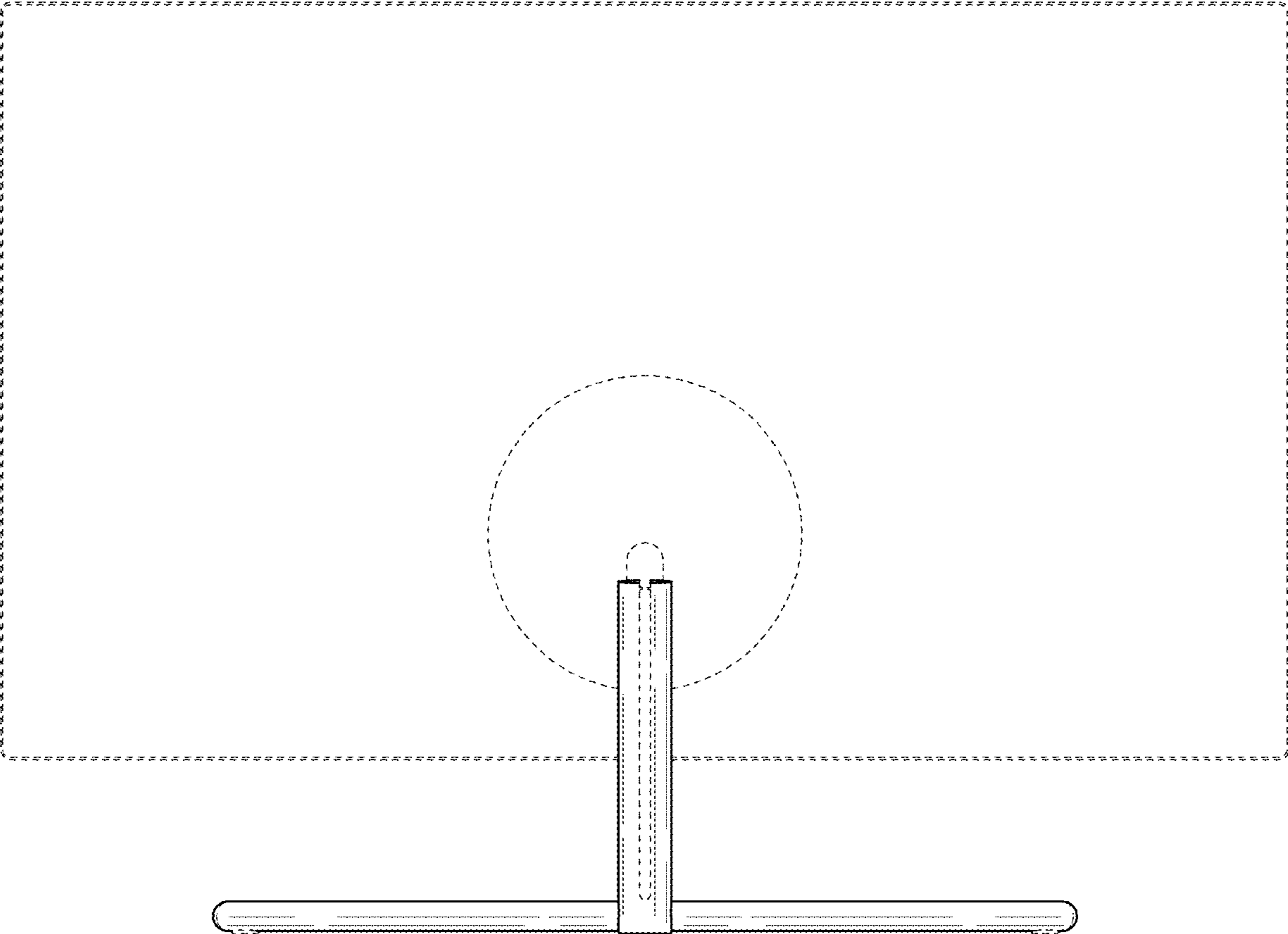


FIG. 4

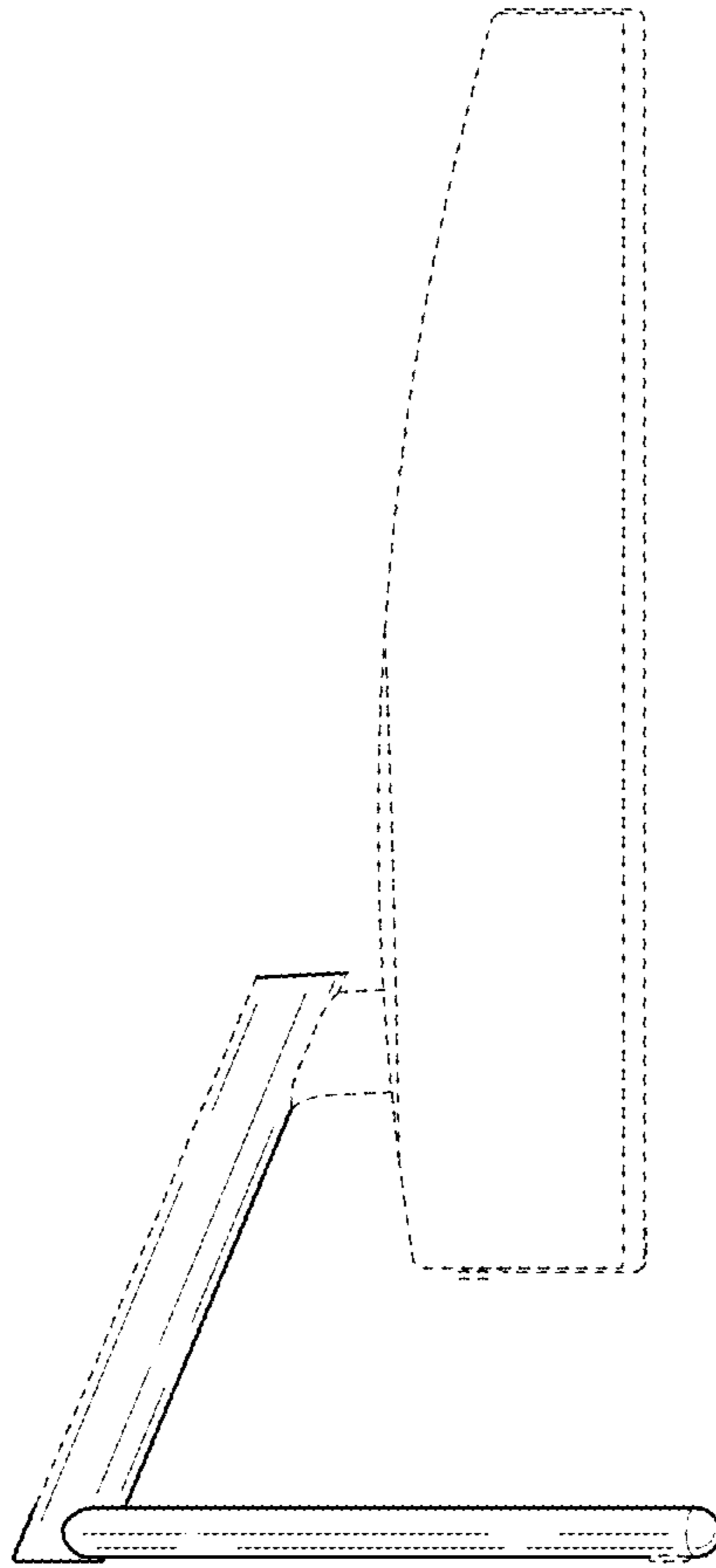


FIG. 5

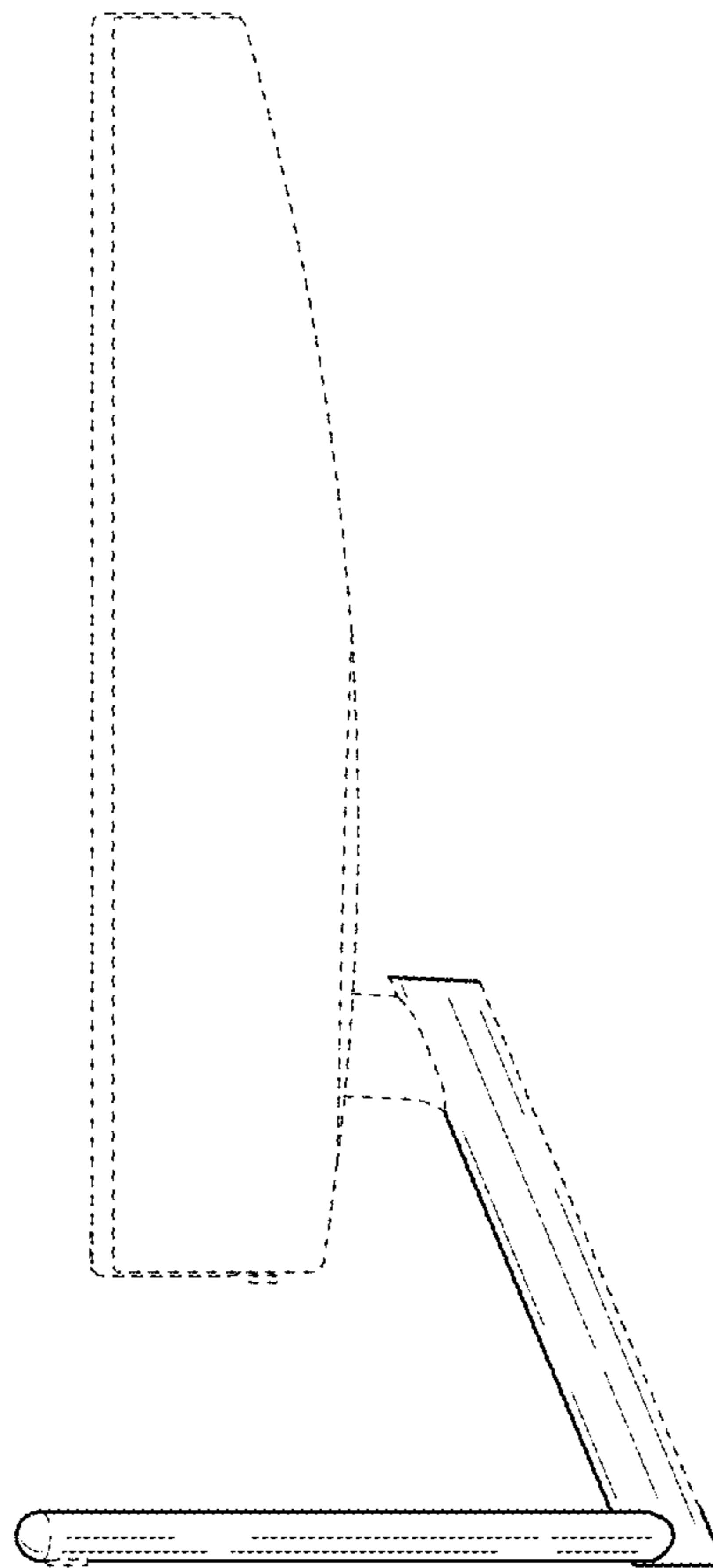


FIG. 6

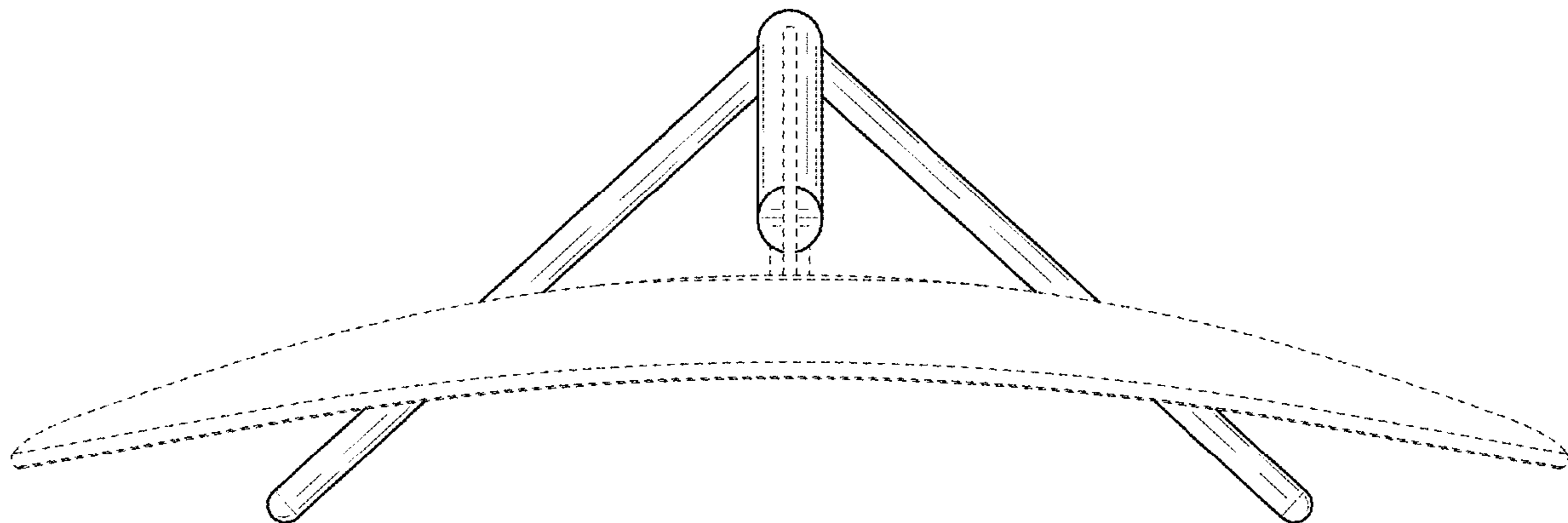


FIG. 7

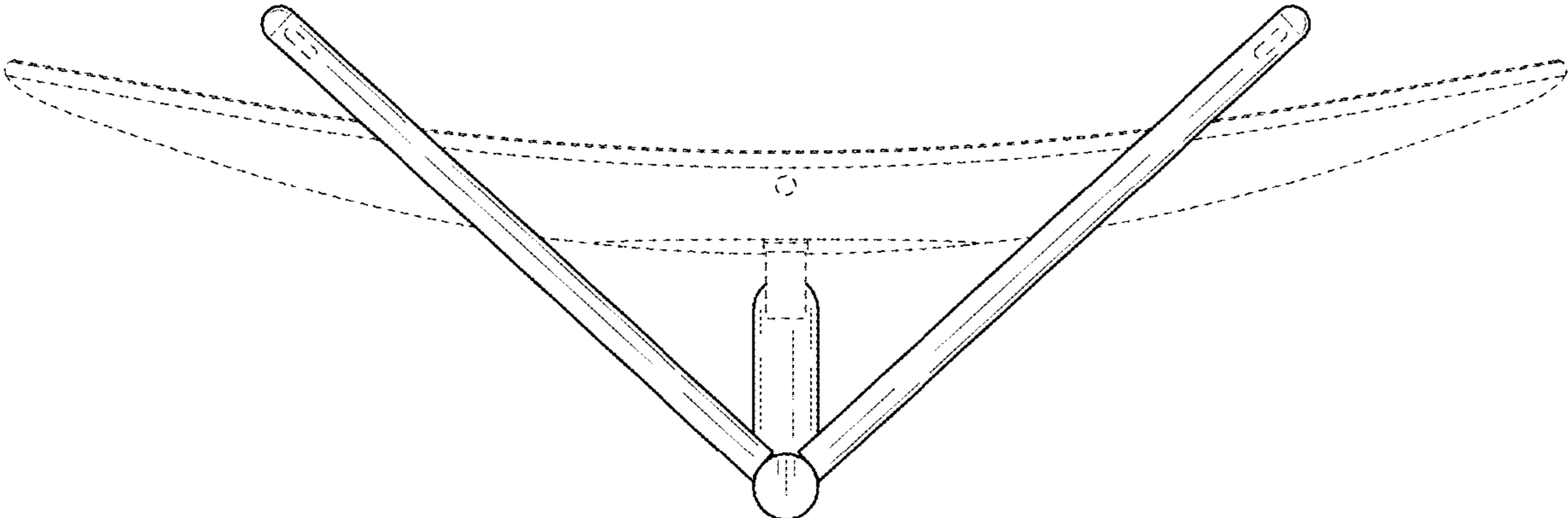


FIG. 8

