



US00D888066S

(12) **United States Design Patent**
Wang et al.

(10) **Patent No.:** **US D888,066 S**
(45) **Date of Patent:** **** Jun. 23, 2020**

(54) **STAND CONNECTING PORT FOR AN ELECTRONIC DEVICE**

(71) Applicants: **ShenZhen Hongfei Precision Technology Co., Ltd.**, Shenzhen (CN); **HON HAI PRECISION INDUSTRY CO., LTD.**, New Taipei (TW)

(72) Inventors: **Wen-Pin Wang**, New Taipei (TW); **Shih-Hong Fu**, New Taipei (TW); **Li-Wei Chen**, New Taipei (TW); **Hsueh-Ho Han**, New Taipei (TW)

(73) Assignees: **ShenZhen Hongfei Precision Technology Co., Ltd.**, Shenzhen (CN); **HON HAI PRECISION INDUSTRY CO., LTD.**, New Taipei (TW)

(**) Term: **15 Years**

(21) Appl. No.: **29/676,017**

(22) Filed: **Jan. 8, 2019**

(51) **LOC (12) Cl.** **14-02**

(52) **U.S. Cl.**
USPC **D14/451**

(58) **Field of Classification Search**
USPC D14/371-382, 125-129, 335-337, D14/447-452, 492, 239, 457, 439-441, D14/432, 251-253; D8/349, 354, 363, D8/373, 376, 380; 348/180, 184, 325, 348/739, 825; D12/407, 415; D3/218; 341/12; D13/108

CPC G06F 3/0412; G06F 3/016; G06F 3/0488; G06F 3/011; G06F 3/038; G06F 3/03543; G06F 3/0338; G06F 3/0202; G06F 3/0219; G06F 3/0213; G06F 1/1616; G06F 3/023; G06F 3/04883; G02F 1/13338; G02F 1/1313; G02F 1/1333; G02F 1/135; G02F 1/132; G02F 1/133308; G02F 1/134309; G02F 1/13718; G02F 7/70291; G02B 27/0172; G02B 5/30; G02B 2027/0118; G02B

27/0101; G09G 3/3648; G03F 7/70291; G06K 15/1252; F16M 13/02; F16M 13/00; F16M 11/10; F16M 11/04; F16M 2200/08; F16M 11/2021; H02G 3/126; A47G 1/17; A47K 2201/00; B41J 2/465; A47B 21/0314; A47B 88/044; A47B 2021/0335; F16B 47/00; F16B 47/006

See application file for complete search history.

(56) **References Cited**

U.S. PATENT DOCUMENTS

D514,095 S * 1/2006 Wilson D14/223
D527,017 S * 8/2006 Kim D14/203.6
(Continued)

Primary Examiner — Katie Jane Stofko

(74) *Attorney, Agent, or Firm* — ScienBiziP, P.C.

(57) **CLAIM**

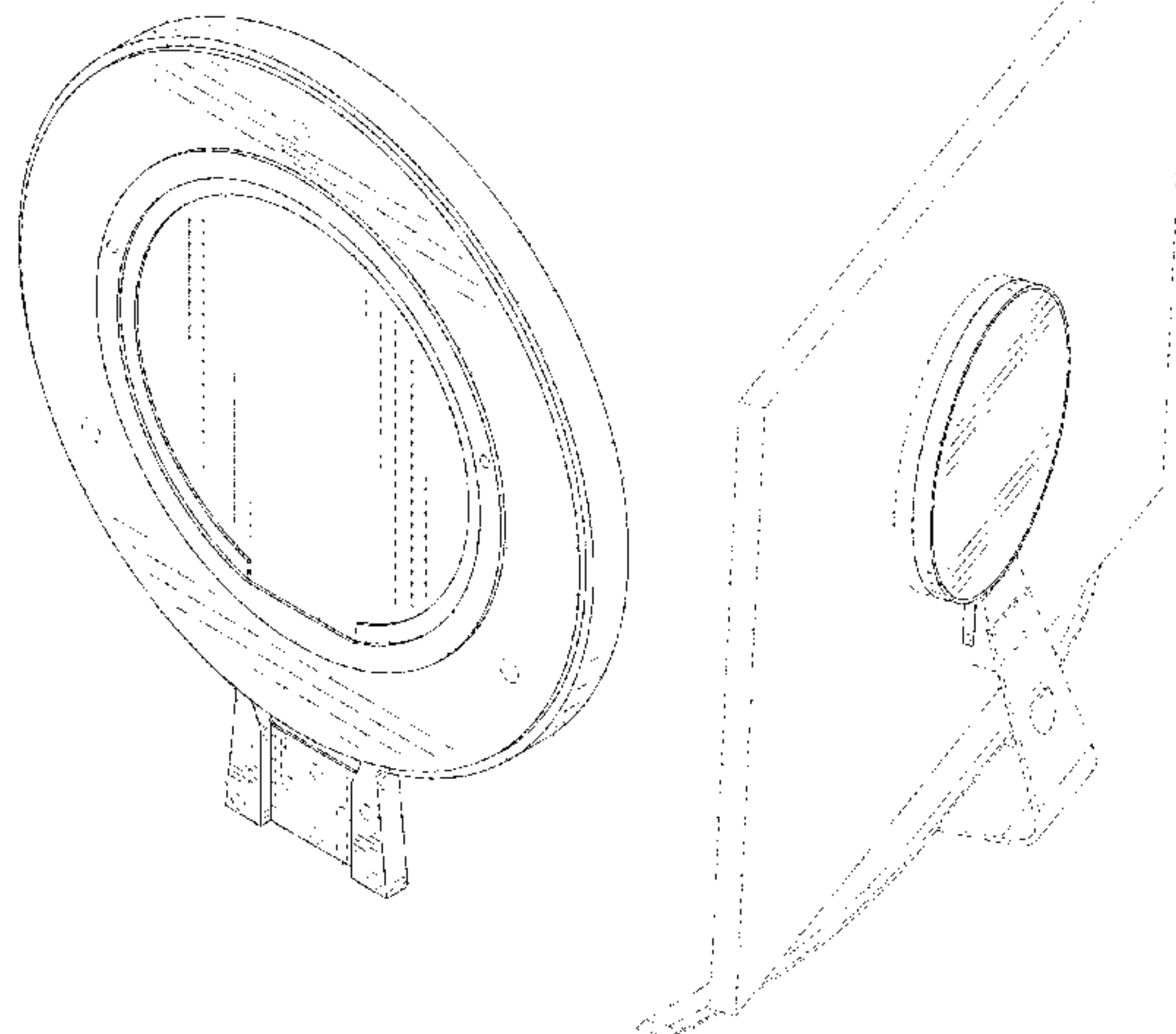
The ornamental design for a stand connecting port for an electronic device, as shown and described.

DESCRIPTION

FIG. 1 is a front perspective view of a stand connecting port for an electronic device showing the claimed design; FIG. 2 is a rear perspective view thereof; FIG. 3 is a front elevation view thereof; FIG. 4 is a rear elevation view thereof; FIG. 5 is a left side elevation view thereof; FIG. 6 is a right side elevation view thereof; FIG. 7 is a top plan view thereof; FIG. 8 is a bottom plan view thereof; and, FIG. 9 is a rear perspective view thereof shown in an environment of use.

The broken lines shown in FIGS. 1-8 illustrate portions of the stand connecting port for an electronic device that form no part of the claimed design. The broken lines shown in FIG. 9 are environment that form no part of the claimed design.

1 Claim, 9 Drawing Sheets



(56)

References Cited

U.S. PATENT DOCUMENTS

D531,159 S * 10/2006 Park D14/203.3
D568,144 S * 5/2008 Wohlford D14/451
D638,001 S * 5/2011 Nakhjiri D14/242
D725,034 S * 3/2015 Chen D13/108
D794,456 S * 8/2017 Rockwell D9/434
D825,643 S * 8/2018 Wengreen D16/242
D855,048 S * 7/2019 Kim D14/253
D863,644 S * 10/2019 Gibson D26/71
D870,534 S * 12/2019 Siminoff D8/349
2004/0095773 A1 * 5/2004 Gaskins F21V 21/116
362/370
2019/0200762 A1 * 7/2019 Wang F16M 13/022

* cited by examiner

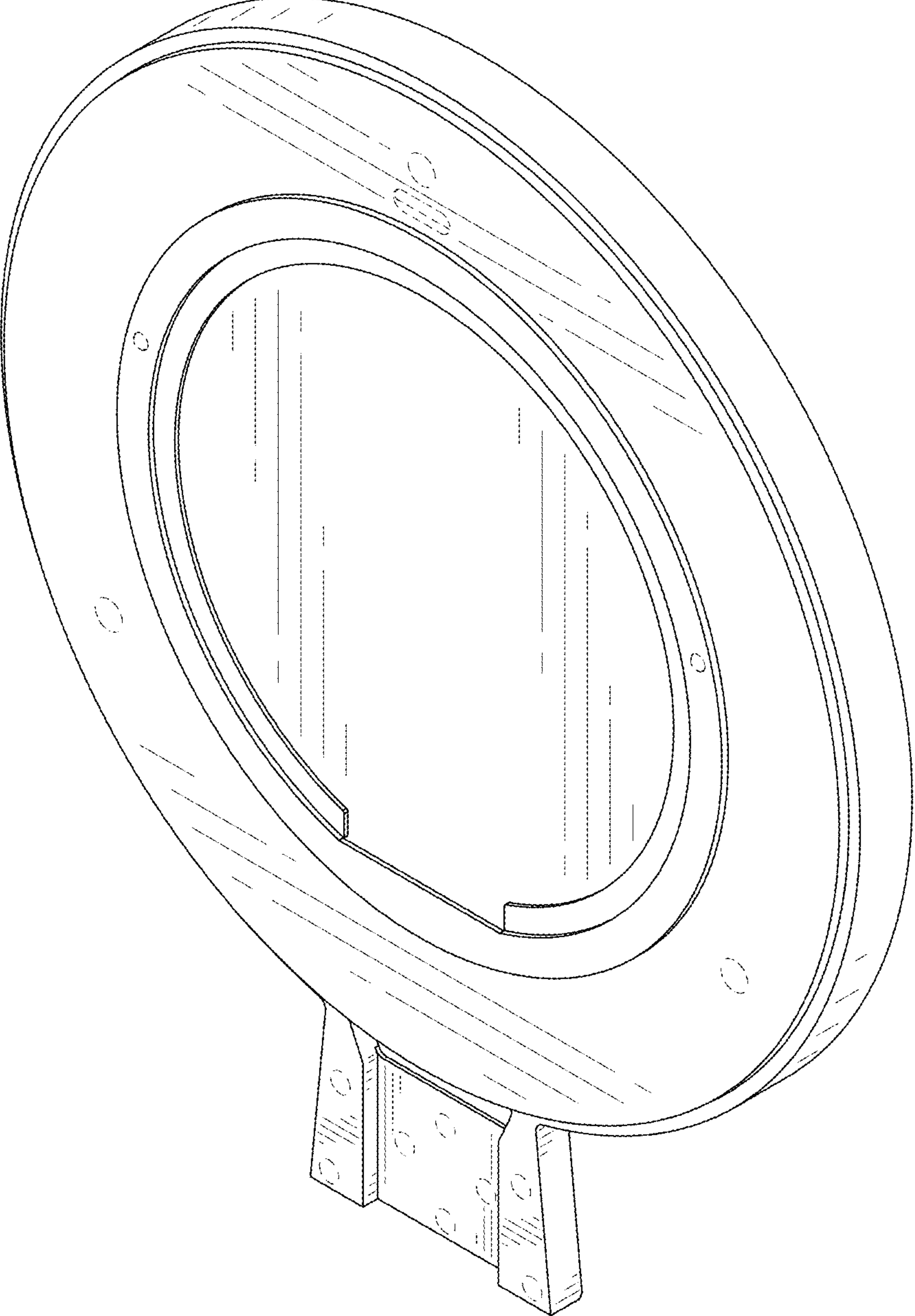


FIG. 1

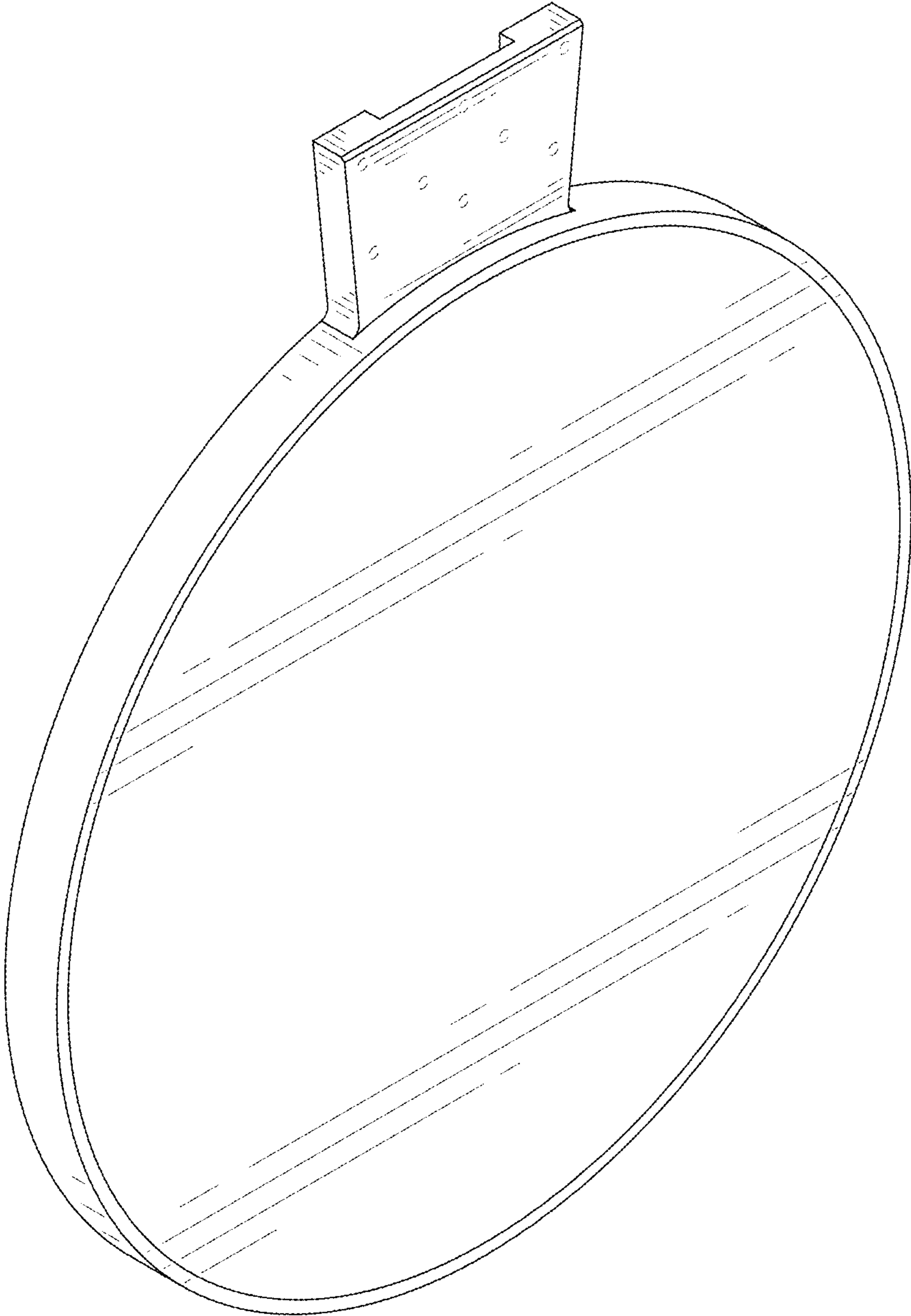


FIG. 2

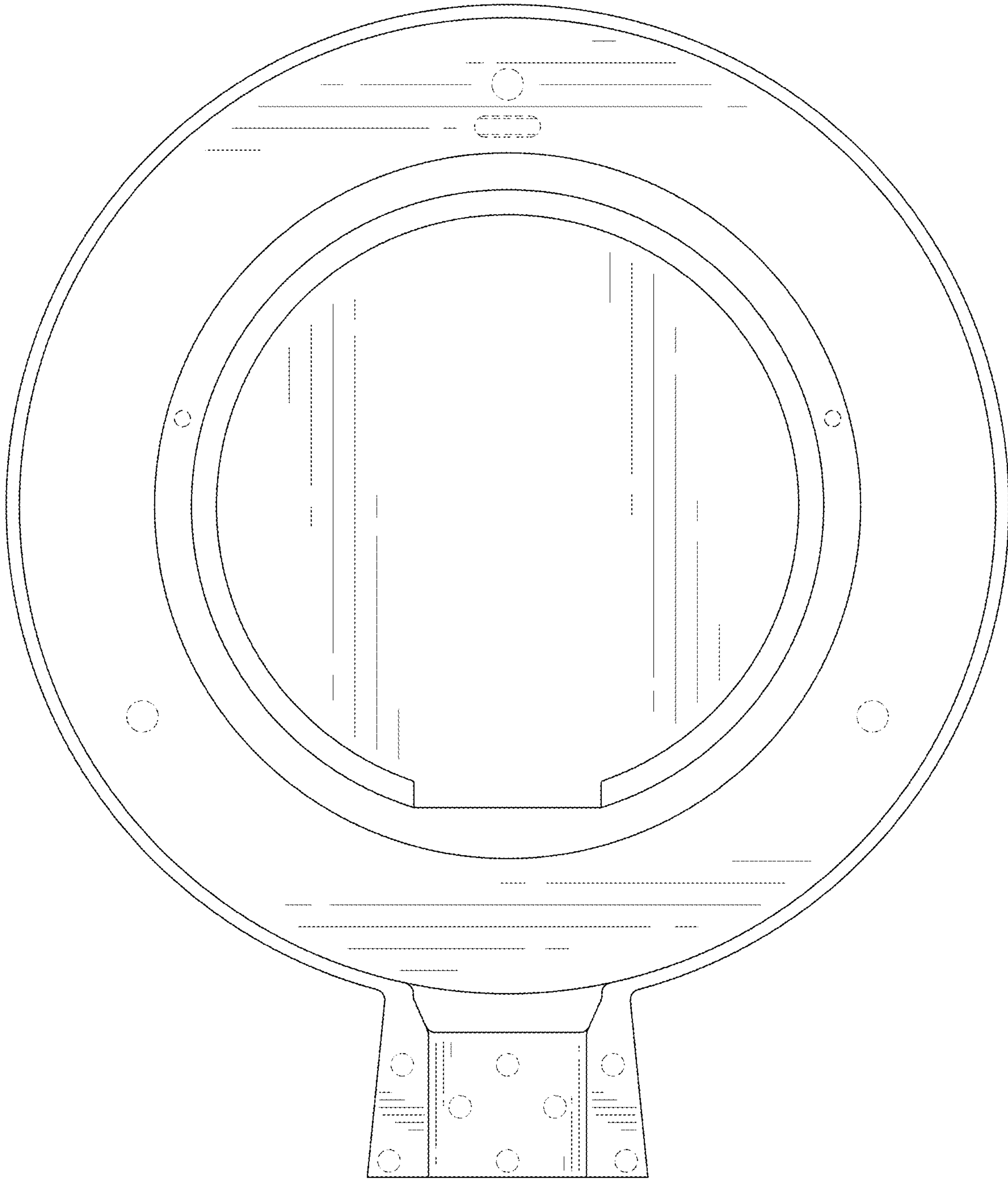


FIG. 3

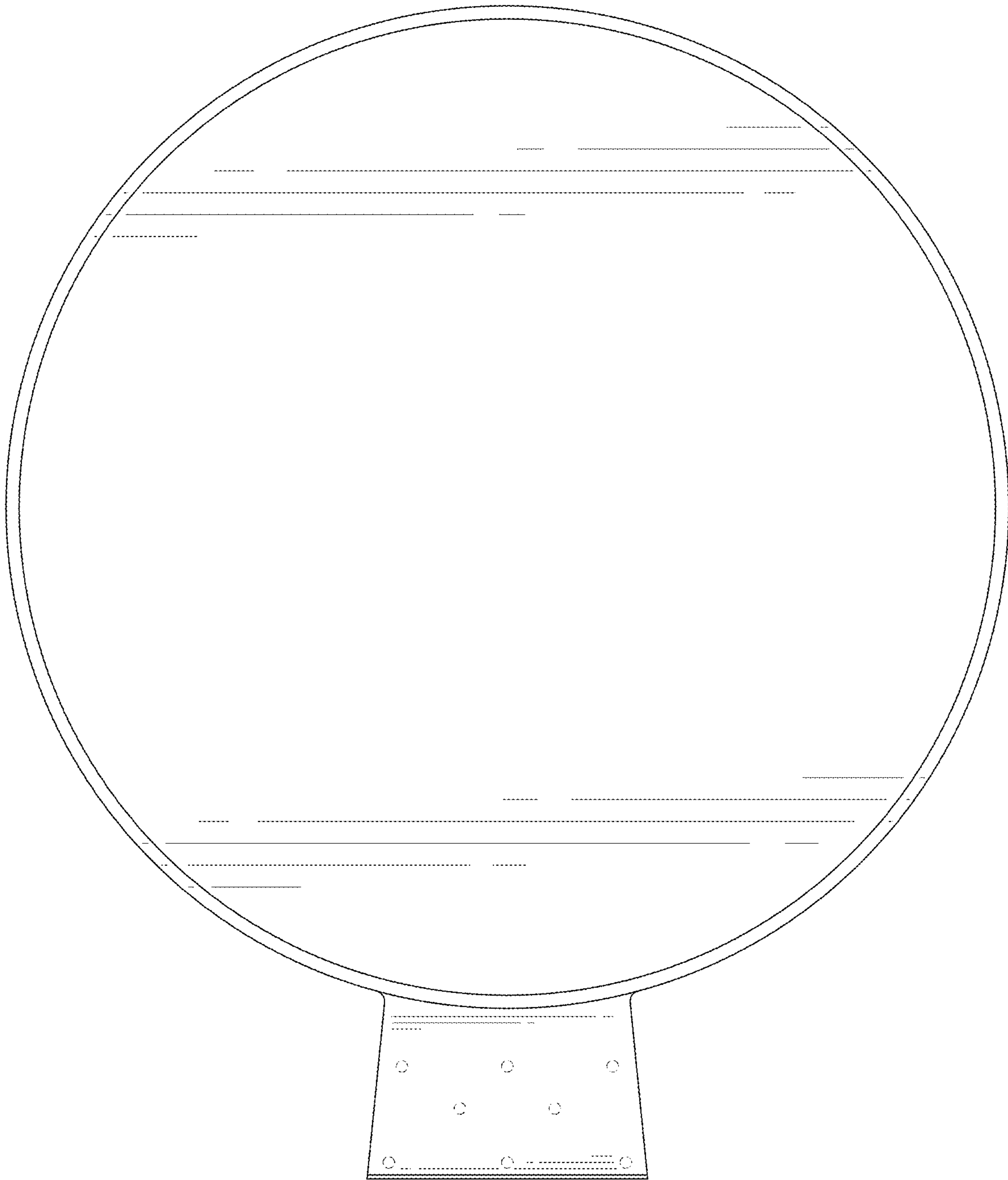


FIG. 4

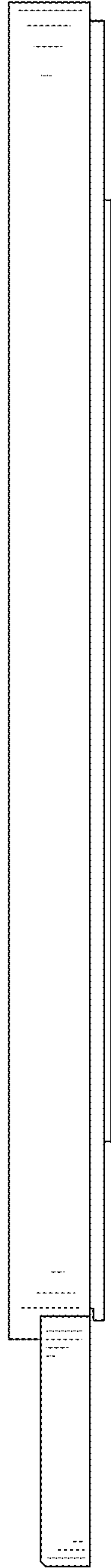


FIG. 5

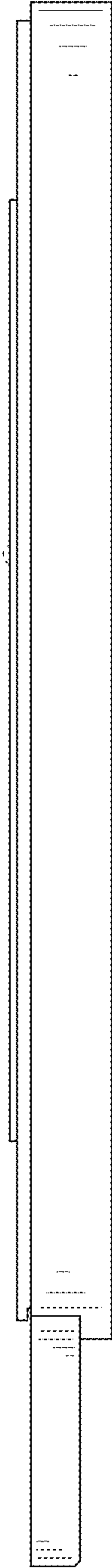


FIG. 6



FIG. 7

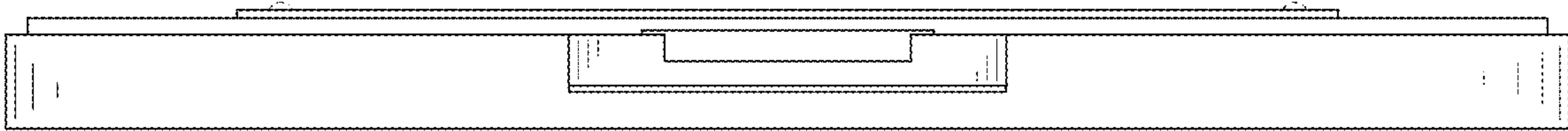


FIG. 8

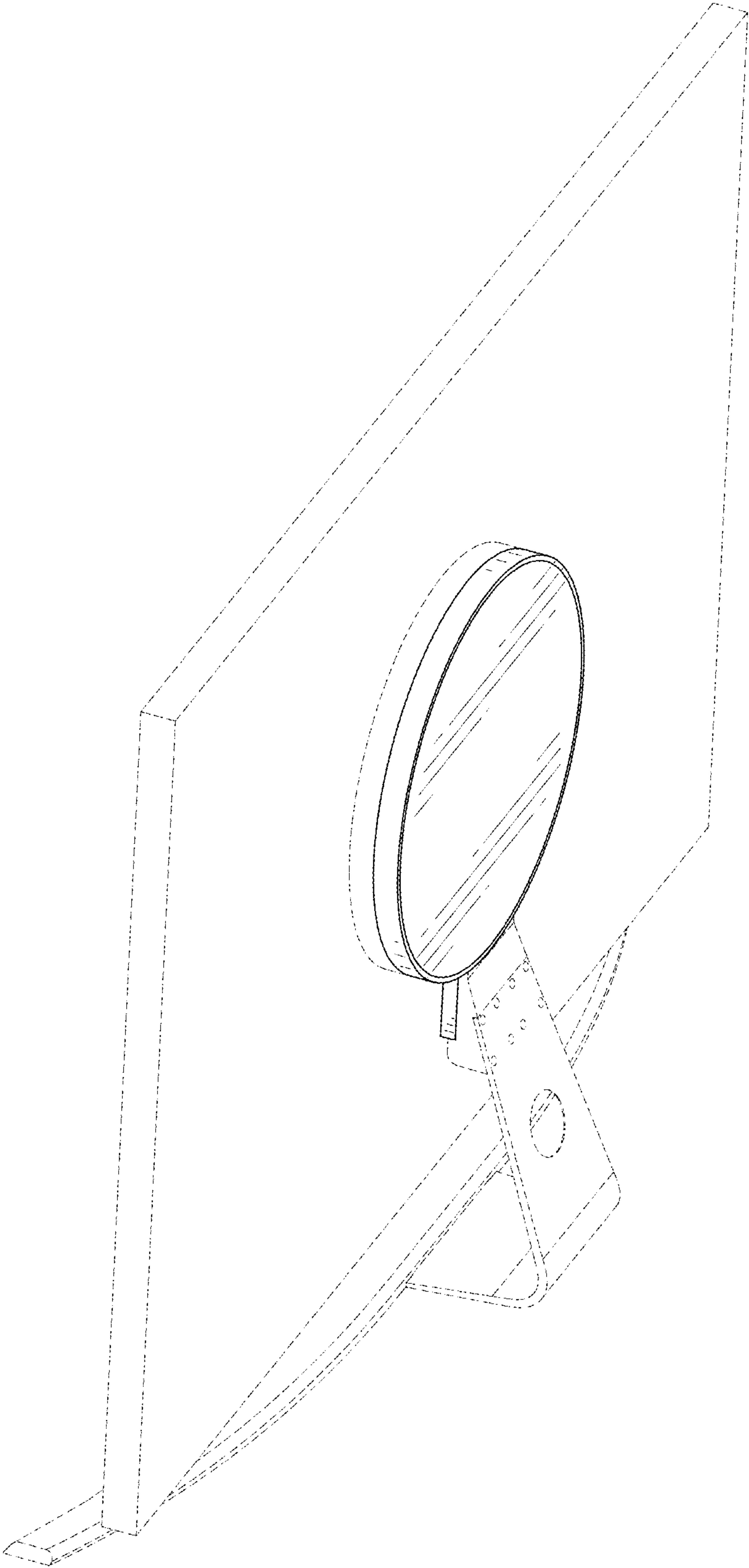


FIG. 9