



US00D888065S

(12) **United States Design Patent**  
**Ahn**

(10) **Patent No.:** **US D888,065 S**

(45) **Date of Patent:** **\*\* Jun. 23, 2020**

(54) **MOUNT ACCESSORY FOR ELECTRONIC DEVICE**

(71) Applicant: **SPIGEN KOREA CO., LTD.**, Seoul (KR)

(72) Inventor: **Deok Hyun Ahn**, Seoul (KR)

(73) Assignee: **Spigen Korea CO., LTD.**, Seoul (KR)

(\*\*) Term: **15 Years**

(21) Appl. No.: **29/685,768**

(22) Filed: **Mar. 29, 2019**

(51) **LOC (12) Cl.** ..... **08-07**

(52) **U.S. Cl.**  
USPC ..... **D14/447**

(58) **Field of Classification Search**  
USPC ..... D14/447, 432, 434, 439, 440, 451, 452, D14/457, 239, 253, 345; D8/363, 373, D8/380; D6/406.3, 406.4, 406.5, 406.6; D12/415; D13/108  
CPC ..... A47B 21/04; A47B 2097/006; A47B 2097/005; A47B 2023/049; A45C 2011/002; A45C 2011/003; F16M 2200/00; F16M 13/00

See application file for complete search history.

(56) **References Cited**

**U.S. PATENT DOCUMENTS**

D337,333 S	7/1993	Turk
D361,768 S	8/1995	Chen
D388,795 S	1/1998	Richter
D391,265 S	2/1998	Richter
D391,266 S	2/1998	Richter
D404,038 S	1/1999	Fransson et al.
D405,453 S	2/1999	Richter
D406,591 S	3/1999	Richter
D428,002 S	7/2000	Lindahl
D432,530 S	10/2000	Lindahl

D592,188 S	5/2009	Huang
D664,952 S	8/2012	Richter
D685,687 S	7/2013	Richter
D690,707 S	10/2013	Minn et al.
8,708,151 B2	4/2014	Whitten et al.
D704,199 S	5/2014	Byun
D706,785 S *	6/2014	Brittain ..... D14/447
D709,066 S	7/2014	Byun
D709,074 S	7/2014	Tsui et al.
D713,398 S	9/2014	Alesi et al.
D713,837 S	9/2014	Chul Kim
8,830,663 B2	9/2014	Child et al.
D715,790 S	10/2014	Conomos et al.
D717,307 S *	11/2014	Chun ..... D14/447

(Continued)

*Primary Examiner* — Angela J Lee

(74) *Attorney, Agent, or Firm* — Heedong Chae; Lucem, PC

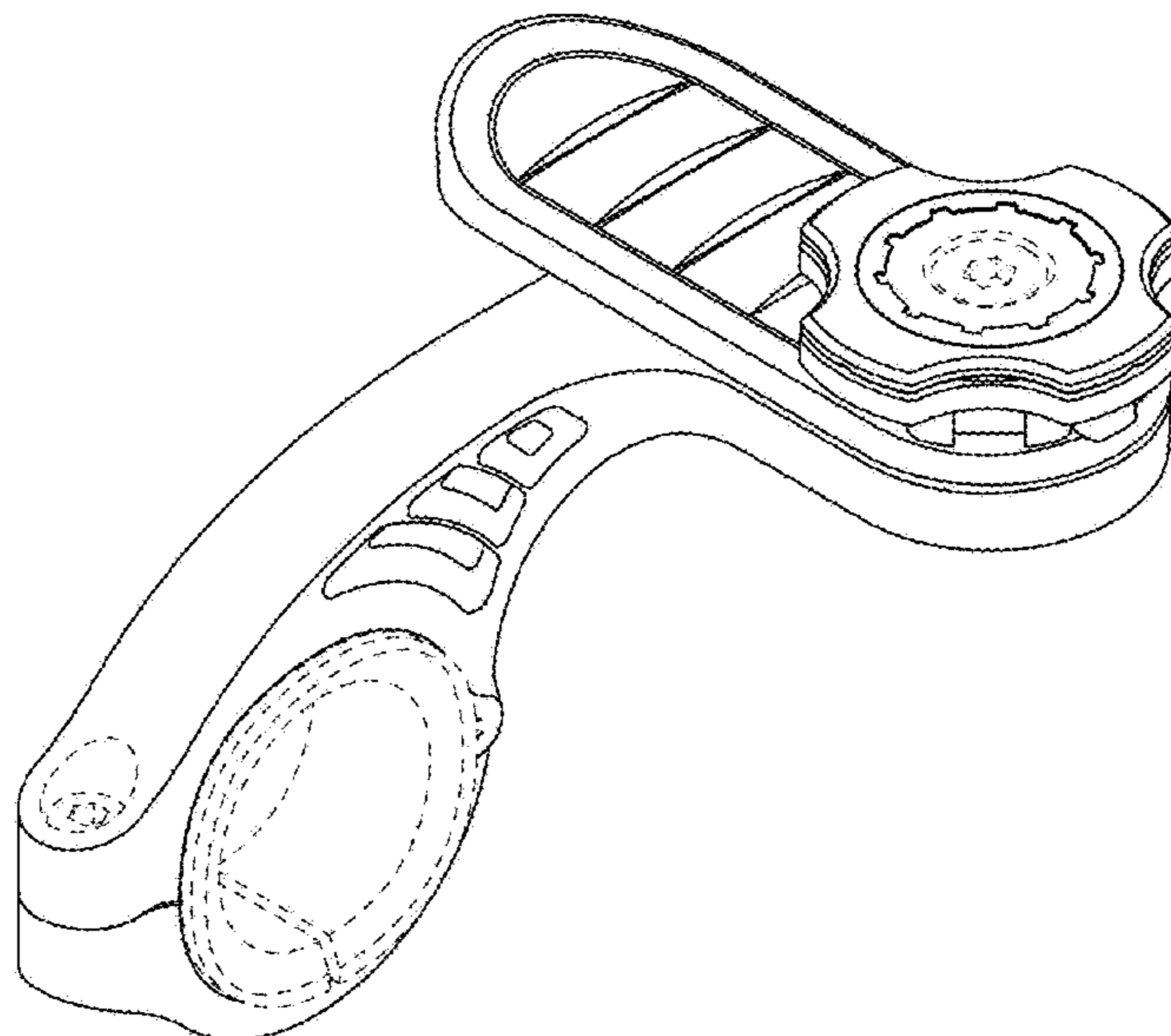
(57) **CLAIM**

The ornamental design for a mount accessory for electronic device, as shown and described.

**DESCRIPTION**

FIG. 1 is a front perspective view of a mount accessory for electronic device showing my new design; FIG. 2 is a rear perspective view thereof; FIG. 3 is a front elevational view thereof; FIG. 4 is a rear elevational view thereof; FIG. 5 is a left side elevational view thereof; FIG. 6 is a right side elevational view thereof; FIG. 7 is a top plan view thereof; FIG. 8 is a bottom plan view thereof; FIG. 9 is another perspective view thereof shown in an environment of use; and, FIG. 10 is another perspective view thereof, but shown in an alternate in-use position with environment. The broken lines depict environmental subject matter and portions of the mount accessory for electronic device that form no part of the claimed design.

**1 Claim, 10 Drawing Sheets**



(56)

**References Cited**

## U.S. PATENT DOCUMENTS

9,243,739	B2	1/2016	Peters	
D755,797	S *	5/2016	Liu .....	D14/452
D765,549	S *	9/2016	Khodapanah .....	D12/114
D772,739	S *	11/2016	Browning .....	D10/74
D773,325	S	12/2016	Browning et al.	
D780,743	S *	3/2017	Chun .....	D14/253
D783,013	S *	4/2017	Chun .....	D14/253
D783,014	S *	4/2017	Chun .....	D14/253
D783,593	S	4/2017	Chen	
D783,624	S	4/2017	Reaux	
D784,977	S	4/2017	Ormsbee et al.	
D790,527	S	6/2017	O'Neill et al.	
D806,714	S	1/2018	Nelson et al.	
D808,396	S	1/2018	Nelson et al.	
D808,430	S	1/2018	Wang	
D825,545	S	8/2018	McSweyn et al.	
D831,666	S	10/2018	Yao et al.	
D838,266	S *	1/2019	Ho .....	D14/253
D845,309	S *	4/2019	Goldstein .....	D14/447
D852,681	S	7/2019	Peters et al.	
D860,189	S *	9/2019	Gu .....	D14/253
D861,668	S *	10/2019	Ho .....	D14/253
2011/0255219	A1	10/2011	Ou	
2012/0050968	A1	3/2012	Child et al.	
2013/0318775	A1	12/2013	Peters	
2019/0094853	A1 *	3/2019	Overall .....	F16M 11/041

\* cited by examiner

FIG. 1

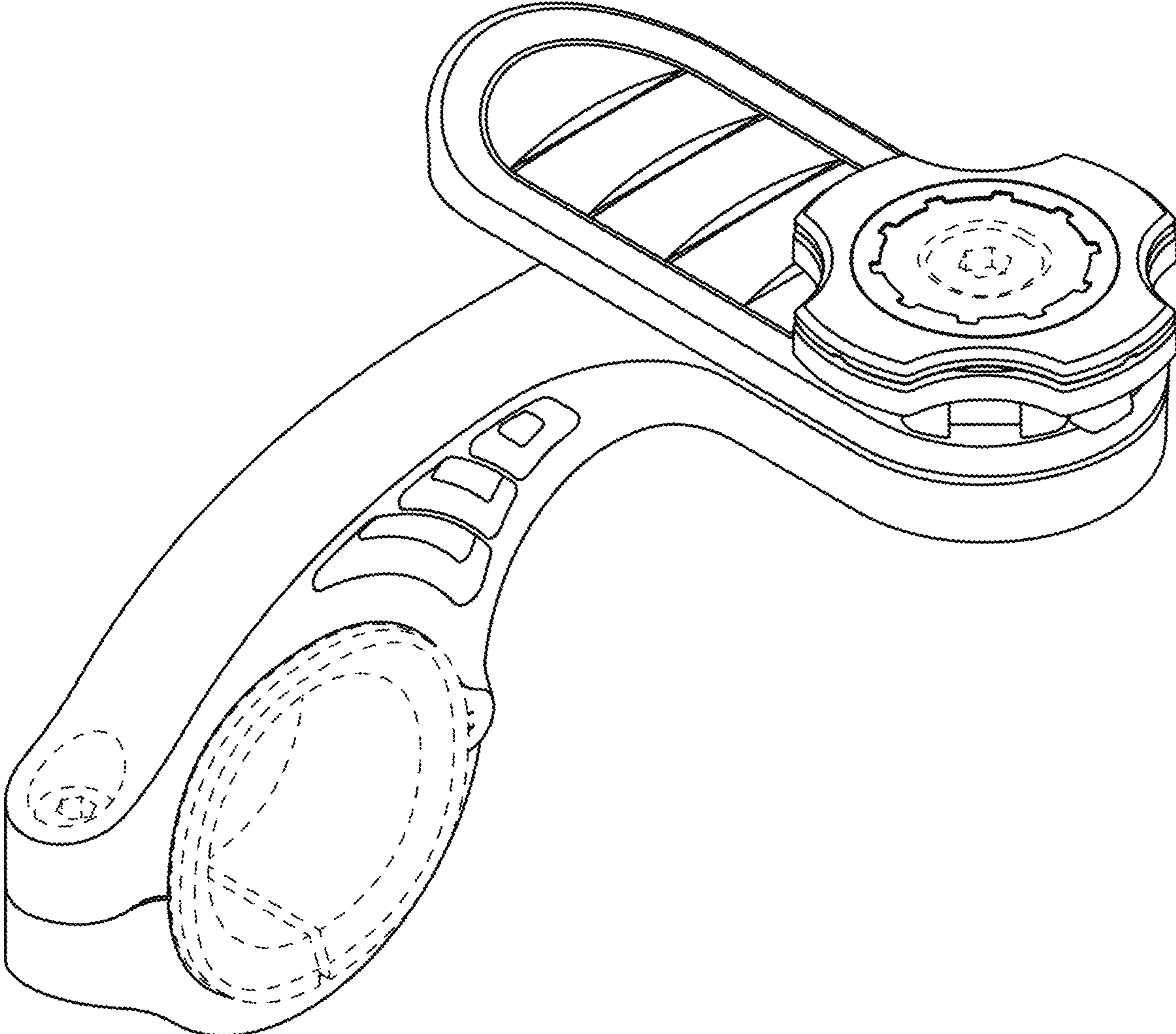


FIG. 2

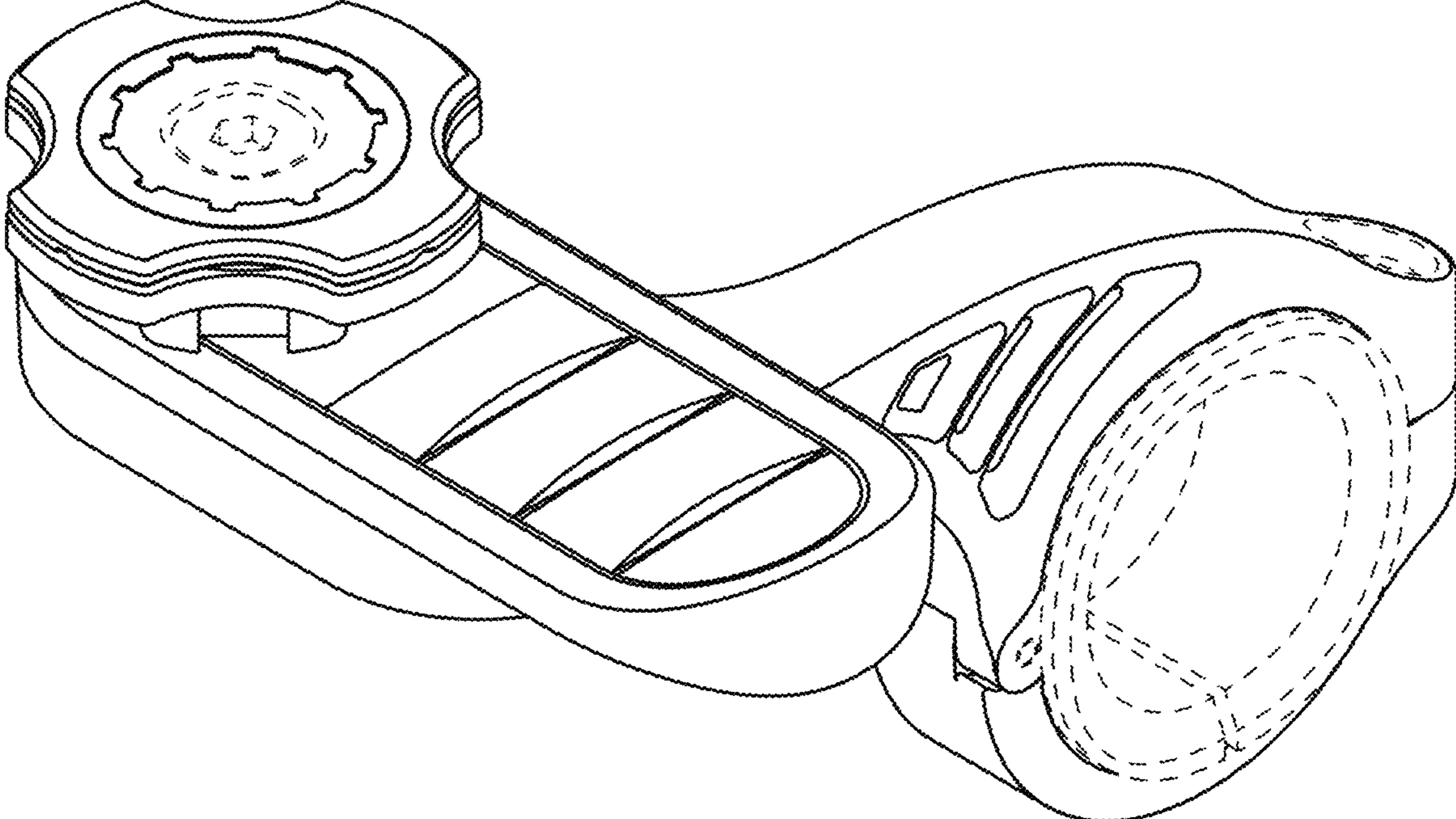




FIG. 3

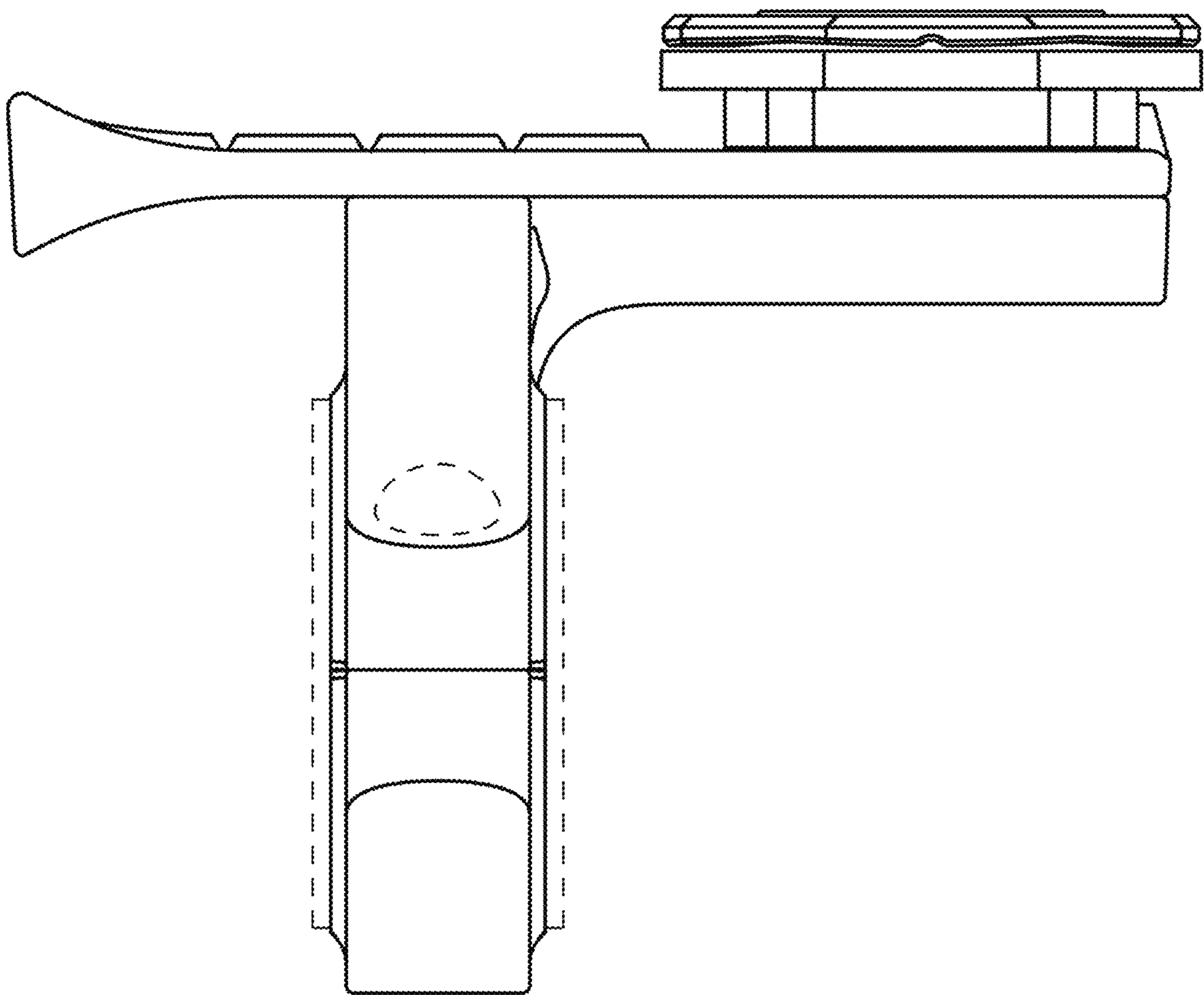


FIG. 4

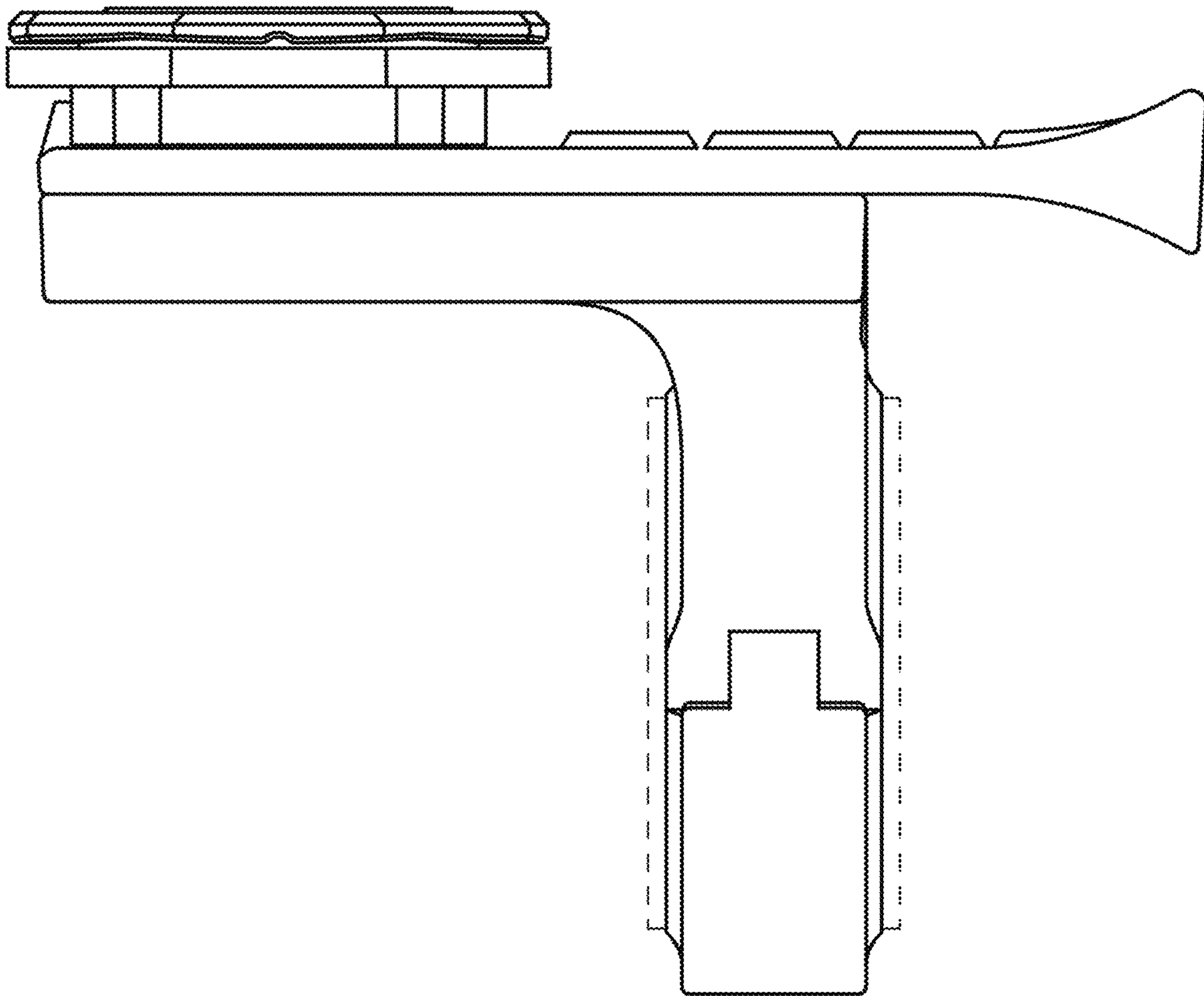


FIG. 5

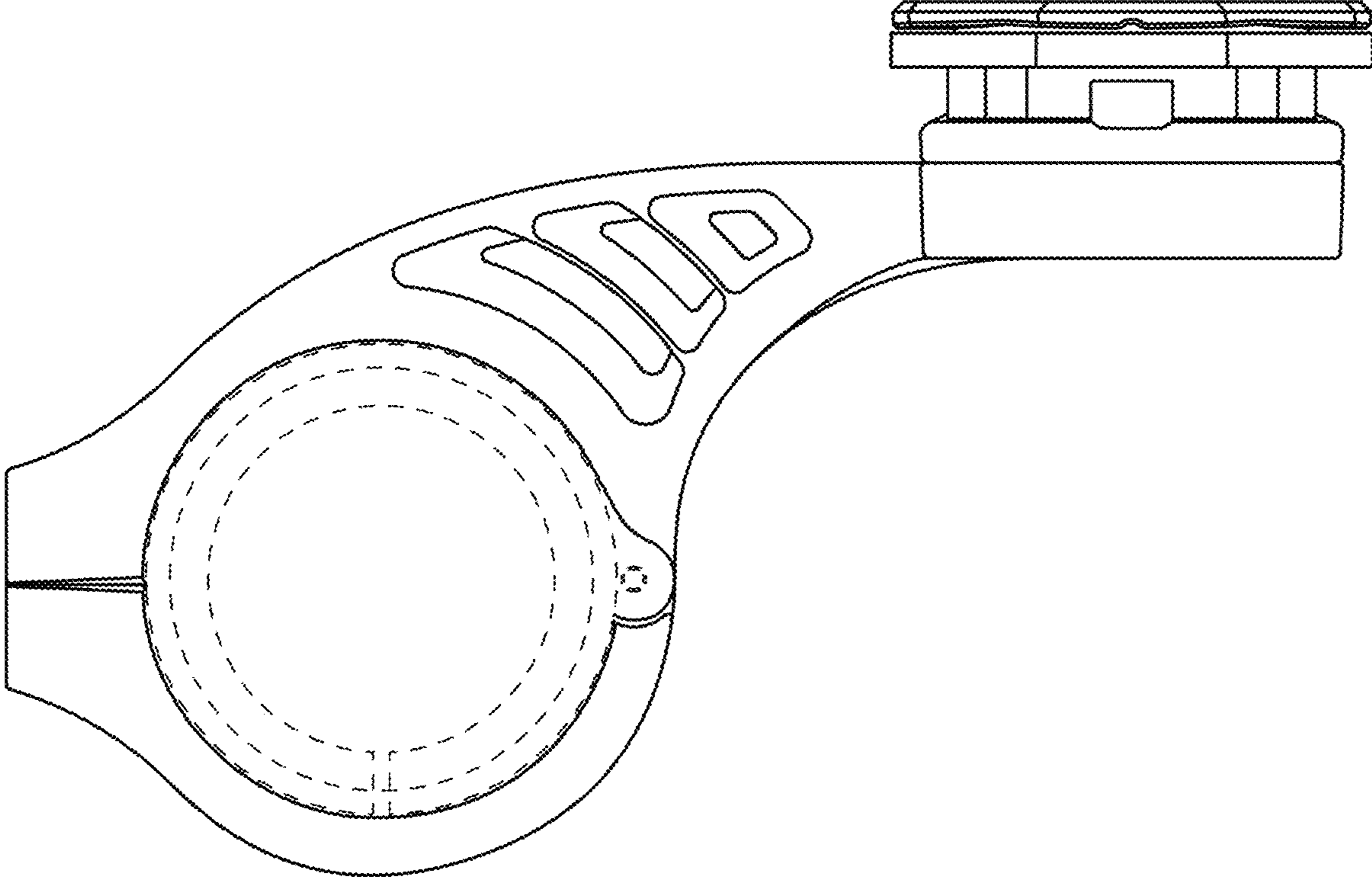


FIG. 6

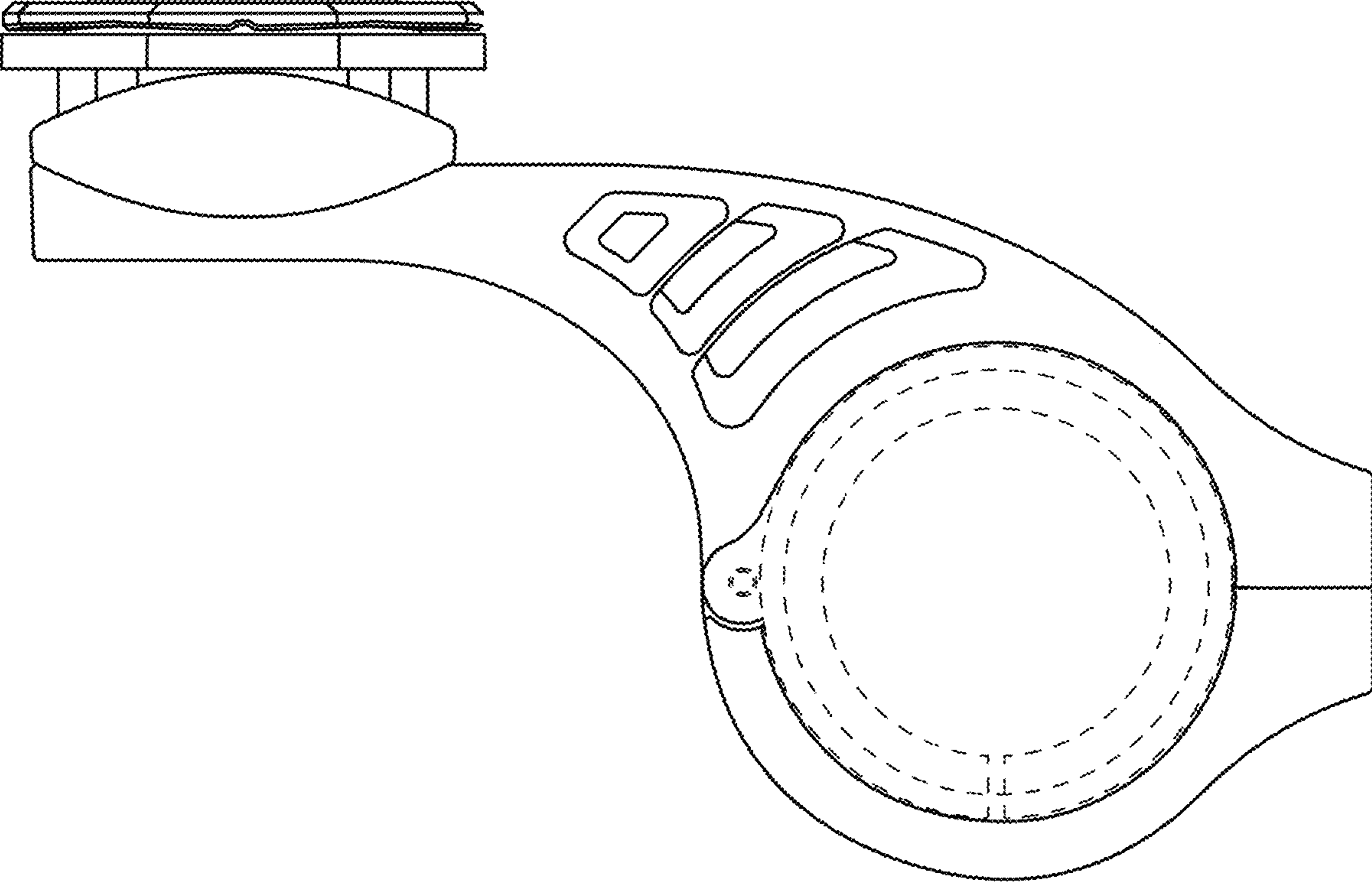




FIG. 7

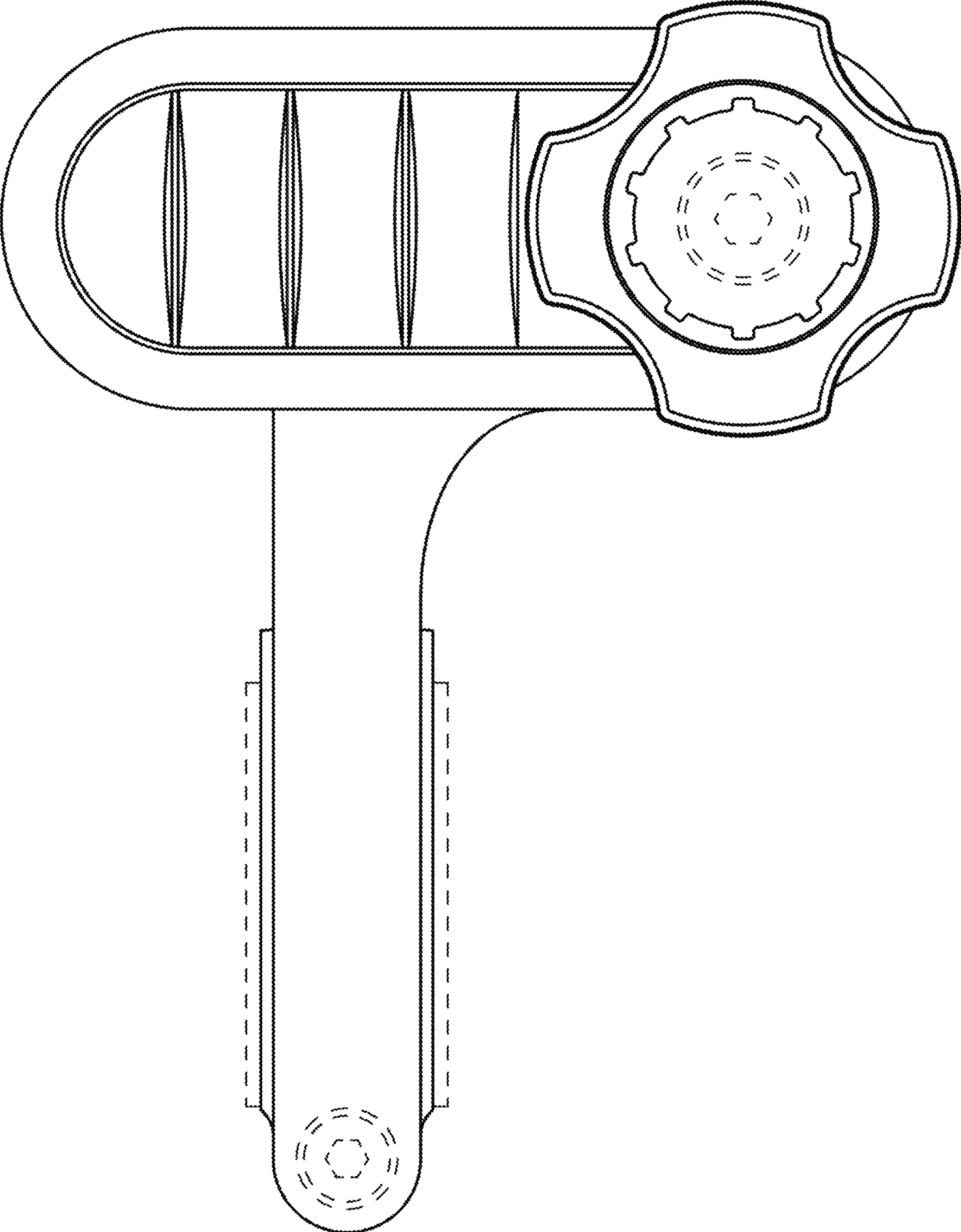


FIG. 8

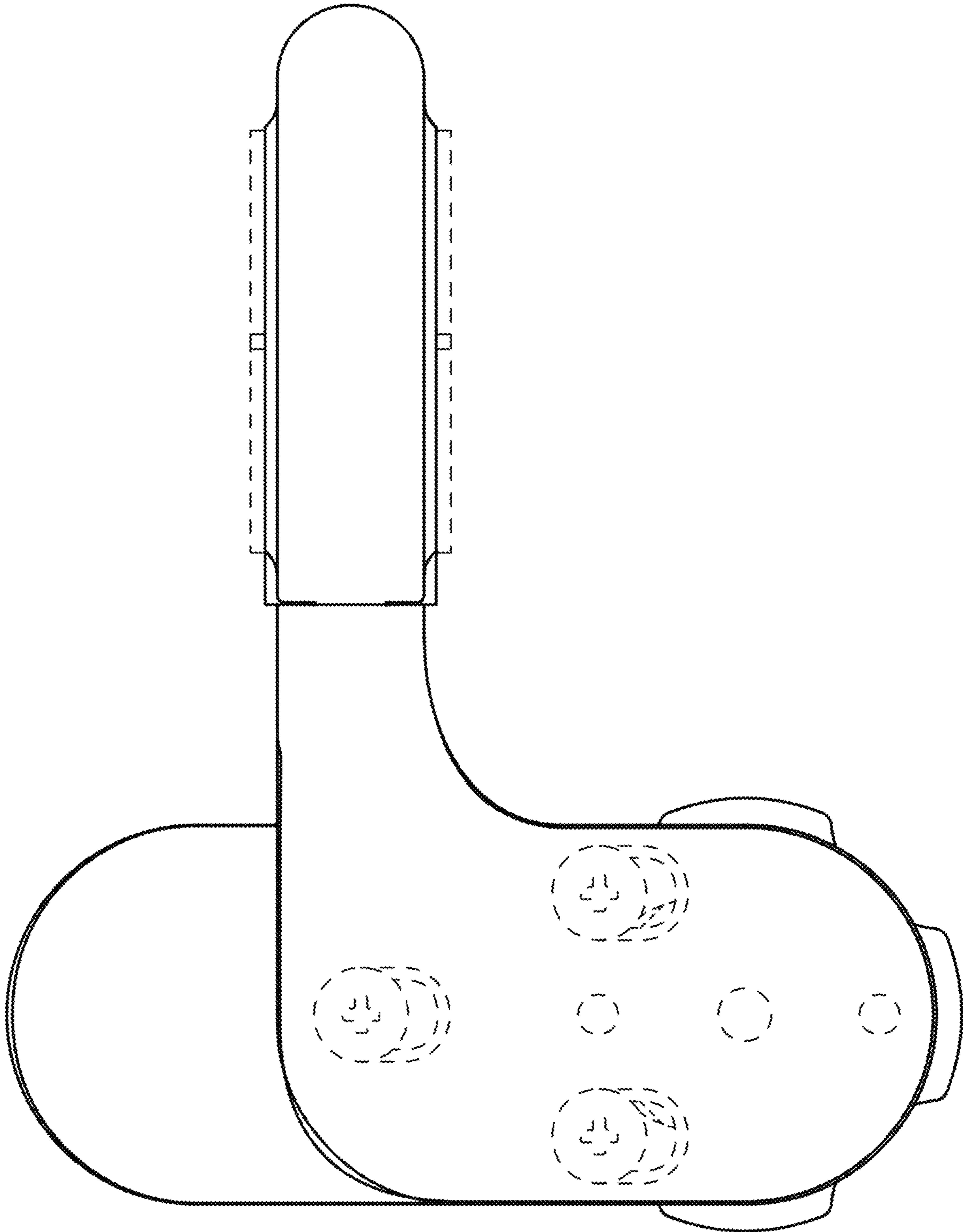


FIG. 9

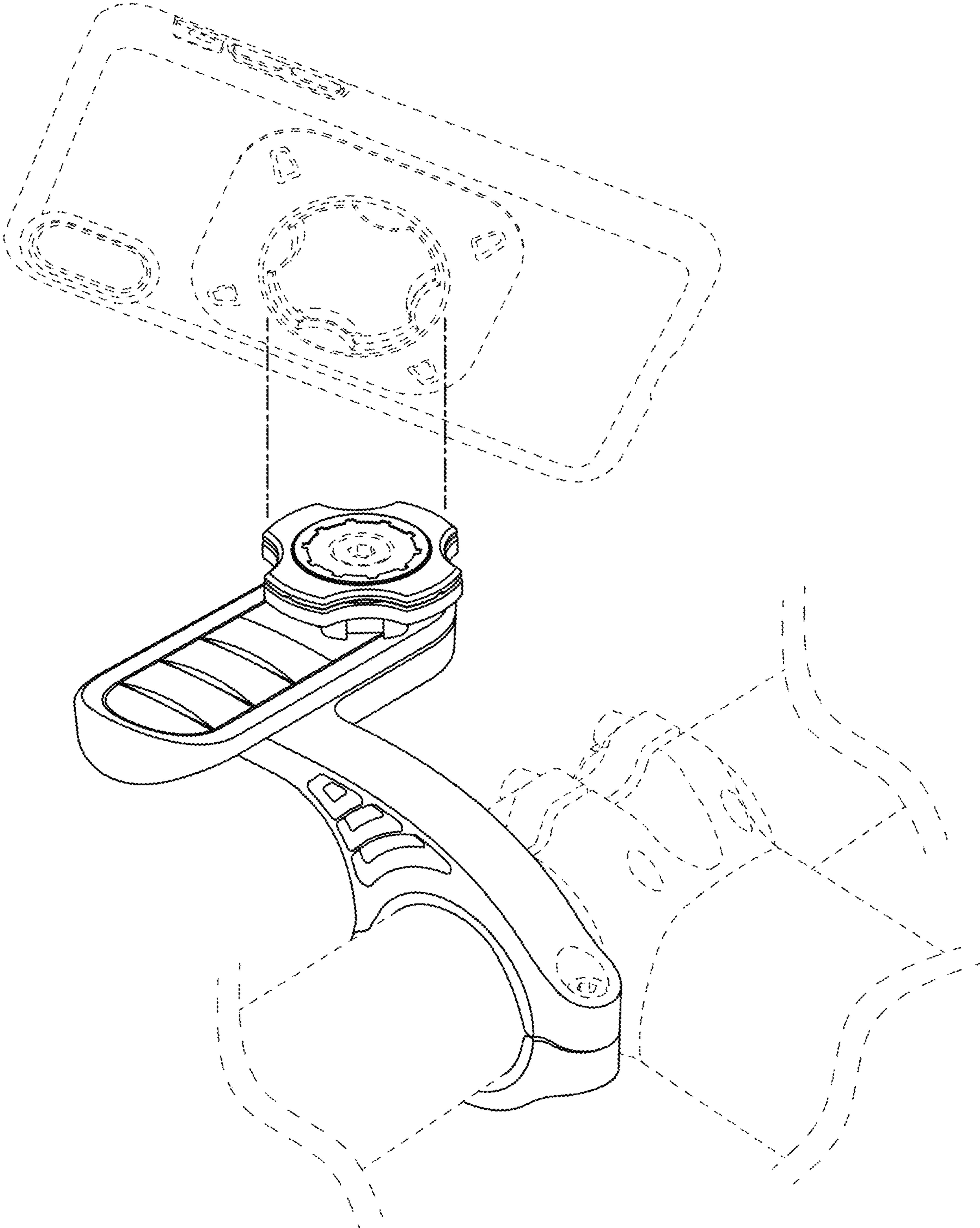


FIG. 10

