



US00D888064S

(12) **United States Design Patent** (10) **Patent No.:** **US D888,064 S**  
**Ahn** (45) **Date of Patent:** **\*\* Jun. 23, 2020**

(54) **MOUNT ACCESSORY FOR ELECTRONIC DEVICE**

D592,188 S 5/2009 Huang  
8,132,700 B2 3/2012 Dacko  
D664,952 S 8/2012 Richter  
8,261,954 B2 9/2012 Lee  
8,366,064 B2 2/2013 Chen et al.  
D685,687 S 7/2013 Richter

(Continued)

(71) Applicant: **SPIGEN KOREA CO., LTD.**, Seoul (KR)

(72) Inventor: **Deok Hyun Ahn**, Seoul (KR)

(73) Assignee: **Spigen Korea CO., LTD.**, Seoul (KR)

(\*\*) Term: **15 Years**

(21) Appl. No.: **29/685,767**

(22) Filed: **Mar. 29, 2019**

(51) **LOC (12) Cl.** ..... **08-07**

(52) **U.S. Cl.**  
USPC ..... **D14/447**

(58) **Field of Classification Search**  
USPC ..... D14/447, 432, 434, 439, 440, 451, 452,  
D14/457, 239, 253; D8/363, 373, 380;  
D6/406.3, 406.4, 406.5, 406.6; D12/415  
CPC ..... A47B 21/04; A47B 2097/006; A47B  
2097/005; A47B 2023/049; A45C  
2011/002; A45C 2011/003; F16M  
2200/00; F16M 13/00

See application file for complete search history.

(56) **References Cited**

**U.S. PATENT DOCUMENTS**

5,114,060 A 5/1992 Boyer  
D337,333 S 7/1993 Turk  
D361,768 S 8/1995 Chen  
D388,795 S 1/1998 Richter  
D391,265 S 2/1998 Richter  
D391,266 S 2/1998 Richter  
D404,038 S 1/1999 Fransson et al.  
D405,453 S 2/1999 Richter  
D406,591 S 3/1999 Richter  
D428,002 S 7/2000 Lindahl  
D432,530 S 10/2000 Lindahl  
6,484,913 B1 11/2002 Hancock et al.

**OTHER PUBLICATIONS**

“Quad Lock Smartphone Mount Overview”, <https://www.youtube.com/watch?v=gcSFN35IRlo>, published on Dec. 22, 2013.

(Continued)

*Primary Examiner* — Angela J Lee

(74) *Attorney, Agent, or Firm* — Heedong Chae; Lucem, PC

(57) **CLAIM**

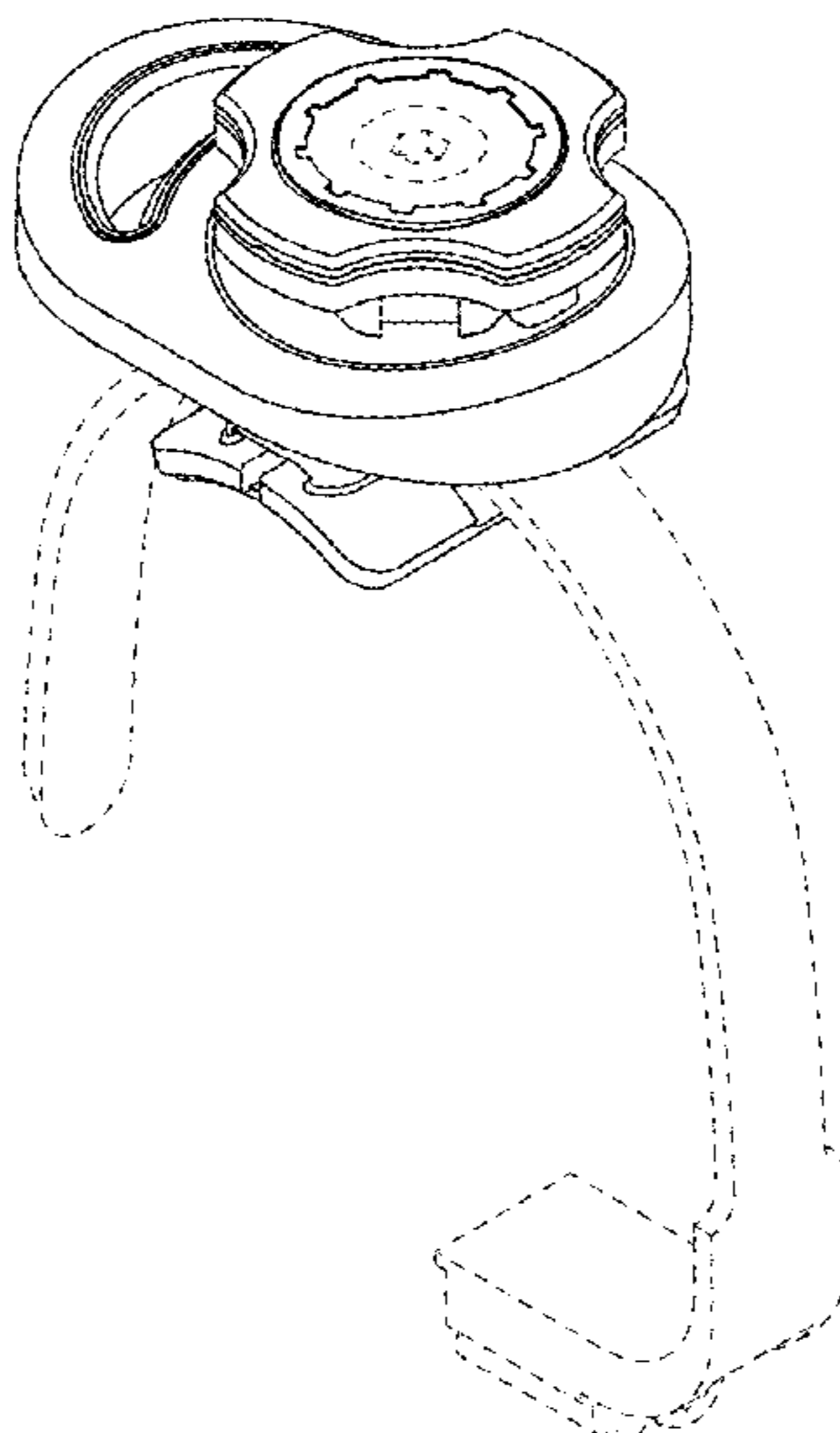
The ornamental design for a mount accessory for electronic device, as shown and described.

**DESCRIPTION**

FIG. 1 is a front perspective view of a mount accessory for electronic device showing my new design; FIG. 2 is a rear perspective view thereof; FIG. 3 is a front elevational view thereof; FIG. 4 is a rear elevational view thereof; FIG. 5 is a left side elevational view thereof; FIG. 6 is a right side elevational view thereof; FIG. 7 is a top plan view thereof; FIG. 8 is a bottom plan view thereof; FIG. 9 is another rear elevational view thereof shown in an environment of use; and, FIG. 10 is another front perspective view thereof shown in an environment of use.

The broken lines depict environmental subject matter and portions of the mount accessory for electronic device that form no part of the claimed design.

**1 Claim, 10 Drawing Sheets**



(56)

References Cited

U.S. PATENT DOCUMENTS

D690,707 S 10/2013 Minn et al.  
 8,602,277 B2 12/2013 Lee  
 8,613,379 B2 12/2013 Lee  
 8,627,990 B2 1/2014 Nakajima et al.  
 8,708,151 B2 4/2014 Whitten  
 D704,199 S 5/2014 Byun  
 D706,785 S \* 6/2014 Brittain ..... D14/447  
 D709,066 S 7/2014 Byun  
 D709,074 S 7/2014 Tsui et al.  
 D713,398 S 9/2014 Alesi et al.  
 D713,837 S 9/2014 Chul Kim  
 8,830,663 B2 9/2014 Child  
 D715,790 S 10/2014 Conomos et al.  
 D717,307 S \* 11/2014 Chun ..... D14/447  
 8,998,048 B1 4/2015 Wu  
 9,120,432 B2 9/2015 Fan  
 9,243,739 B2 1/2016 Peters  
 D755,797 S \* 5/2016 Liu ..... D14/452  
 D765,549 S \* 9/2016 Khodapanah ..... D12/114  
 D772,739 S \* 11/2016 Browning ..... D10/74  
 D773,325 S 12/2016 Browning et al.  
 D780,743 S \* 3/2017 Chun ..... D14/253  
 D783,013 S \* 4/2017 Chun ..... D14/253  
 D783,014 S \* 4/2017 Chun ..... D14/253  
 D783,593 S 4/2017 Chen  
 D783,624 S 4/2017 Reaux  
 D784,977 S 4/2017 Ormsbee et al.  
 D790,527 S 6/2017 O'Neill et al.  
 D806,714 S 1/2018 Nelson et al.  
 D808,396 S 1/2018 Nelson et al.  
 D808,430 S 1/2018 Wang  
 D825,545 S 8/2018 McSweyn et al.  
 D831,666 S 10/2018 Yao et al.  
 D838,266 S \* 1/2019 Ho ..... D14/253

D845,309 S \* 4/2019 Goldstein ..... D14/447  
 D852,681 S 7/2019 Peters et al.  
 D860,189 S \* 9/2019 Gu ..... D14/253  
 D861,668 S \* 10/2019 Ho ..... D14/253  
 2003/0042283 A1 3/2003 Carnevali  
 2011/0255219 A1 10/2011 Ou  
 2012/0050968 A1 3/2012 Child  
 2013/0318775 A1 12/2013 Peters  
 2015/0282343 A1 10/2015 Downes et al.  
 2019/0094853 A1 \* 3/2019 Overall ..... F16M 11/041

OTHER PUBLICATIONS

“Quad Lock iPhone Bike Mount”, <https://www.youtube.com/watch?v=5nVBVwDxZpA>, published on Dec. 8, 2014.  
 “Quad Lock—Out Front Mount for iPhone and GoPro”, <https://www.youtube.com/watch?v=6hgGOytnkas>, published on Sep. 21, 2015.  
 “Quad Lock Motorcycle and Scooter Mounts for Samsung Galaxy”, [https://www.youtube.com/watch?v=u7Wtdr3\\_t14](https://www.youtube.com/watch?v=u7Wtdr3_t14), published on Jul. 26, 2017.  
 “Quad Lock Bike Mount 2017”, <https://www.youtube.com/watch?v=d7aLCdXjXRc>, published on Sep. 6, 2017.  
 “Quad Lock Motorcycle and Scooter Mounts 2017”, <https://www.youtube.com/watch?v=cg1C4QKD7QI>, published on Sep. 11, 2017.  
 “Quad Lock How To—Universal Car Mount Kit”, <https://www.youtube.com/watch?v=7EwGRYwvnVs>, published on Oct. 5, 2017.  
 “Quad Lock—Motorcycle & Scooter Smartphone Mount 2018”, <https://www.youtube.com/watch?v=LnePzqcM0BY>, published on Oct. 8, 2017.  
 “Quad Lock—Smartphone Bike Mount 2018”, <https://www.youtube.com/watch?v=IKepsLzl3QY>, published on Oct. 8, 2017.  
 “Quad Lock How To—Motorcycle Mount”, <https://www.youtube.com/watch?v=8Vm83nWAFgU>, published on Oct. 11, 2017.

\* cited by examiner

FIG. 1

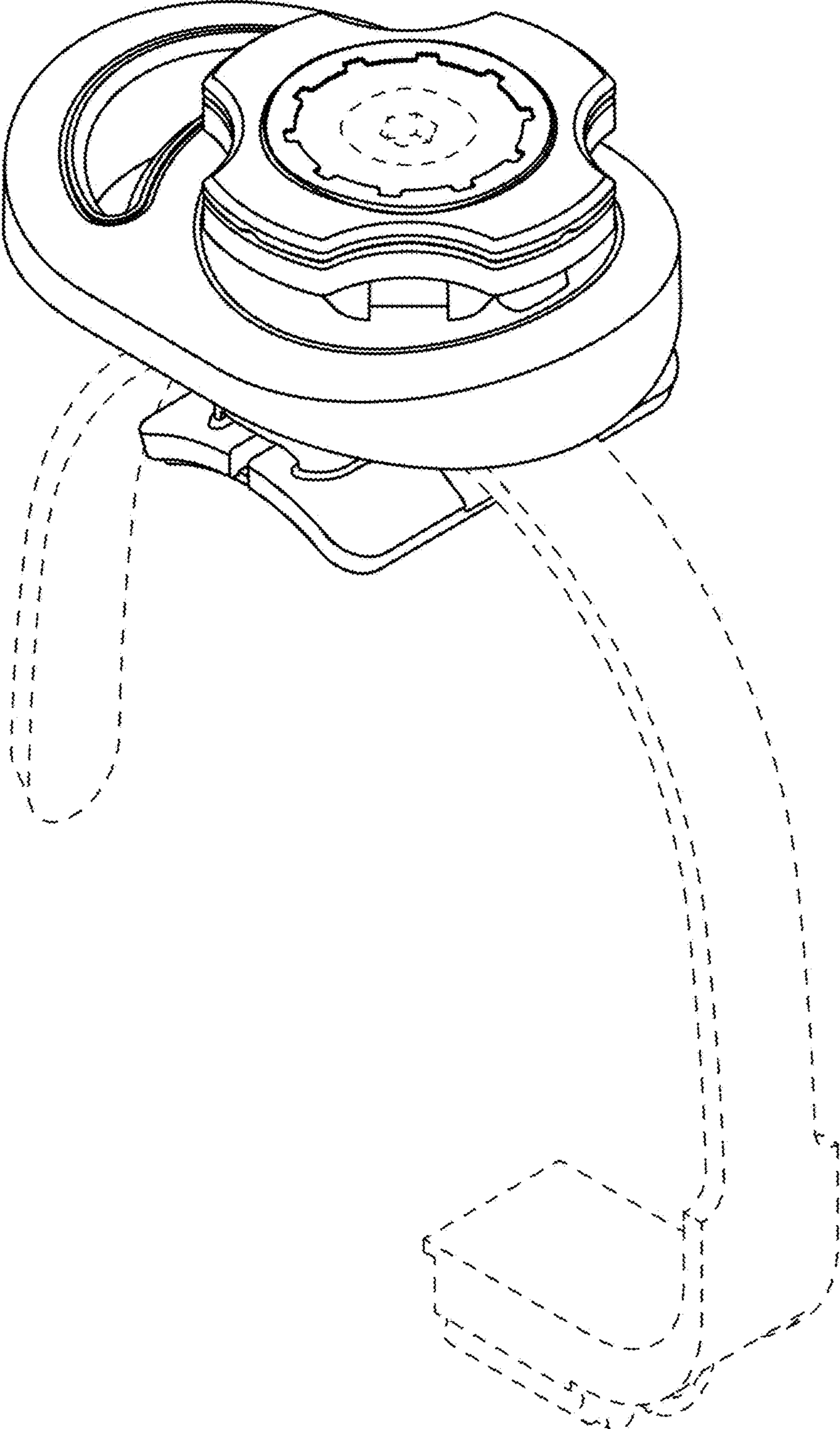




FIG. 2

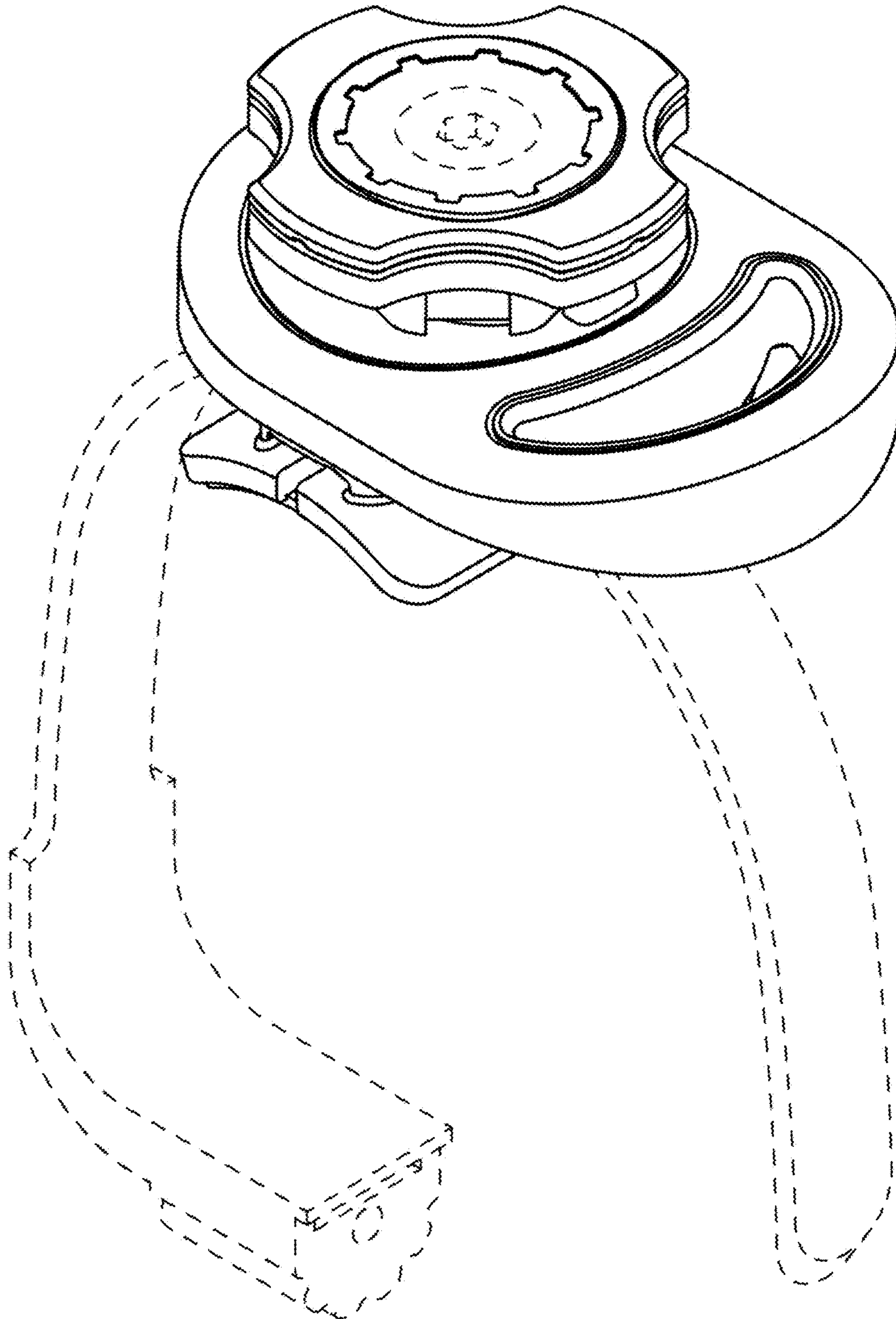


FIG. 3

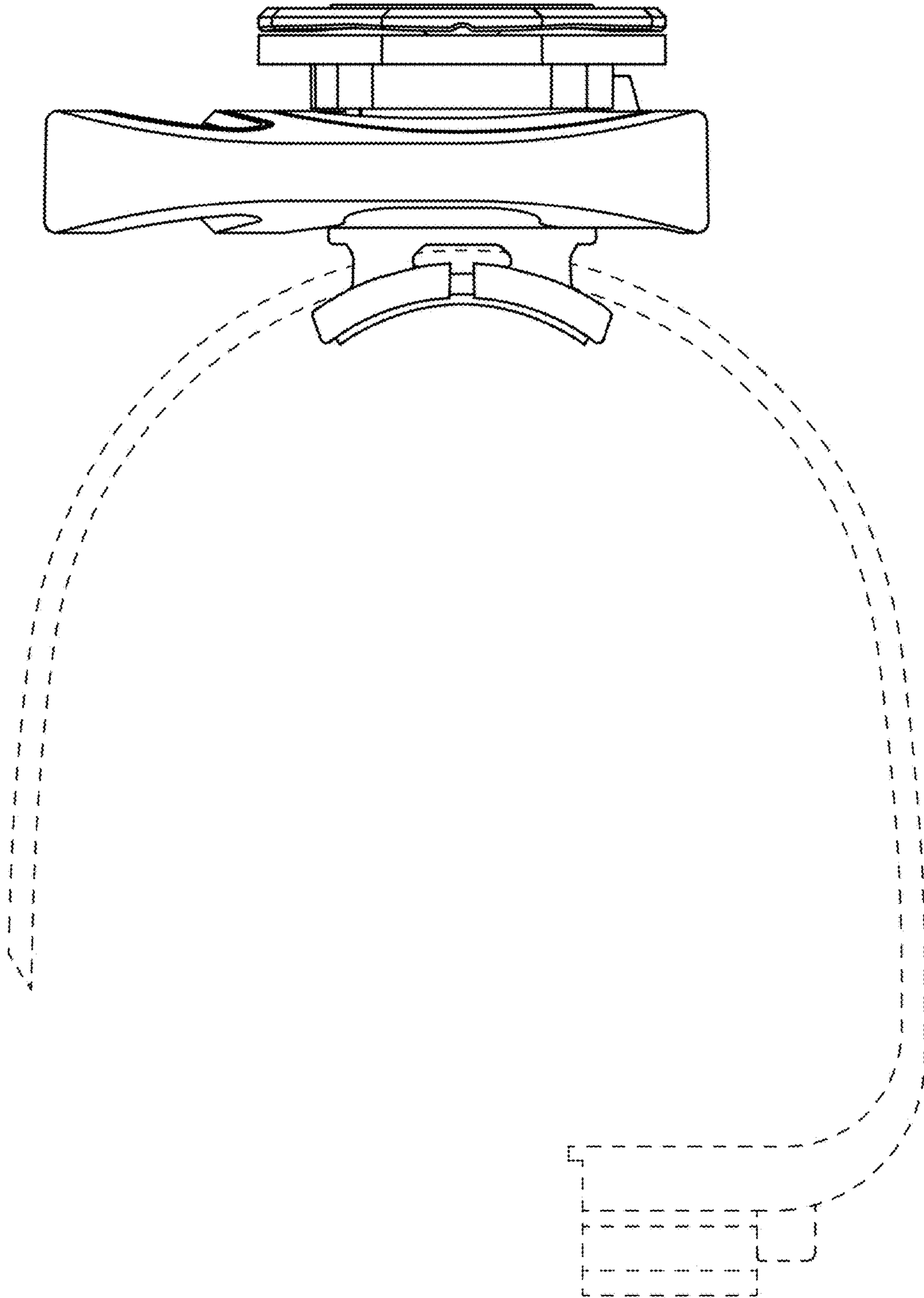


FIG. 4

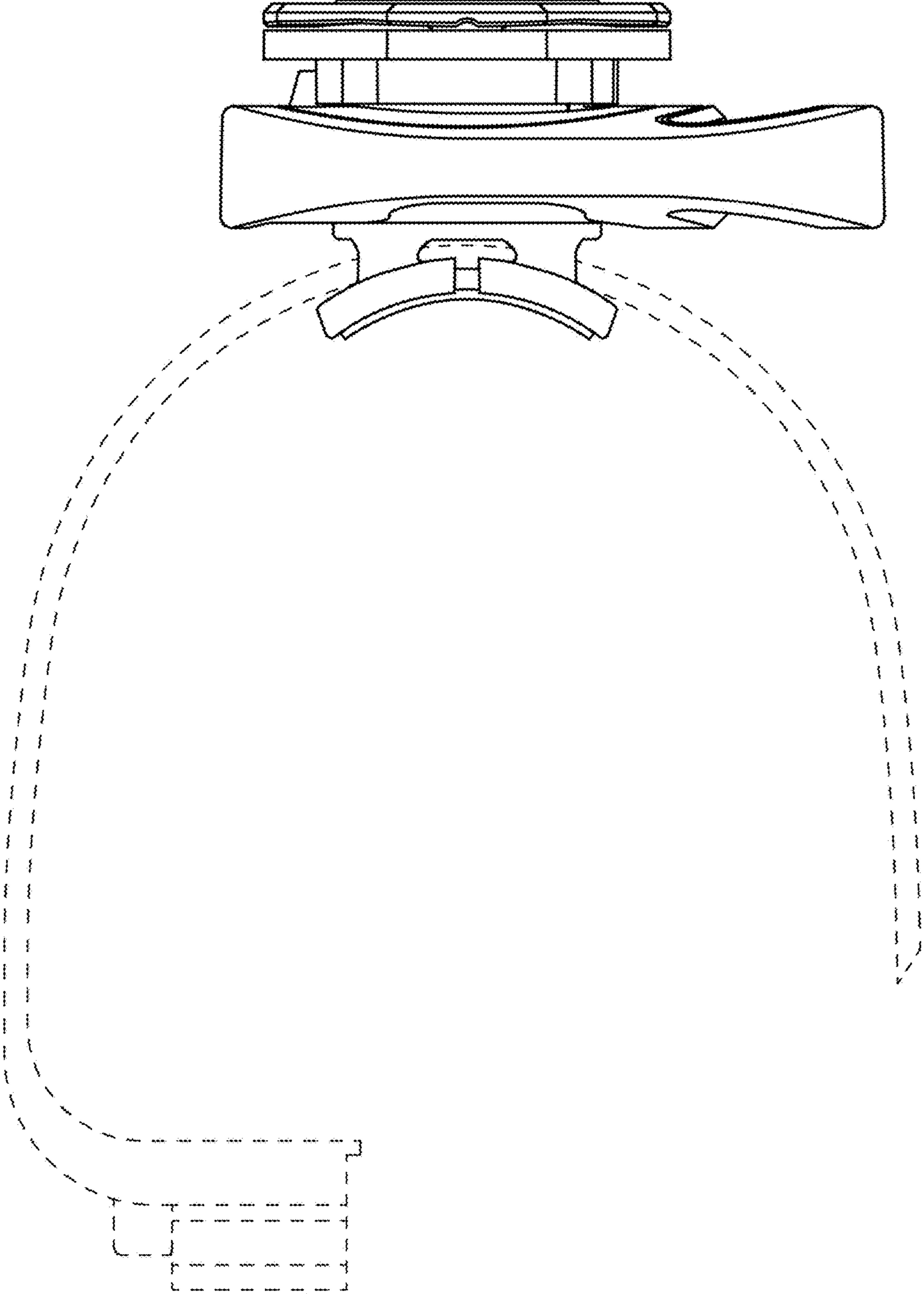


FIG. 5

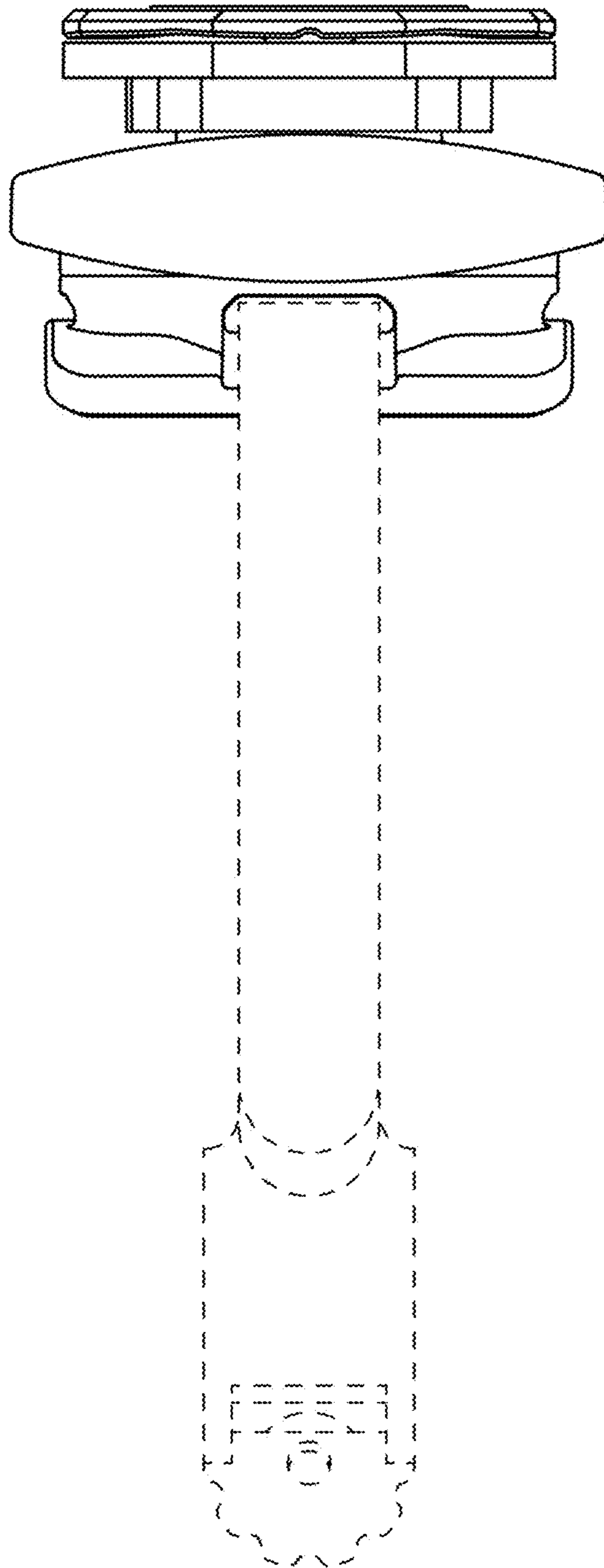


FIG. 6

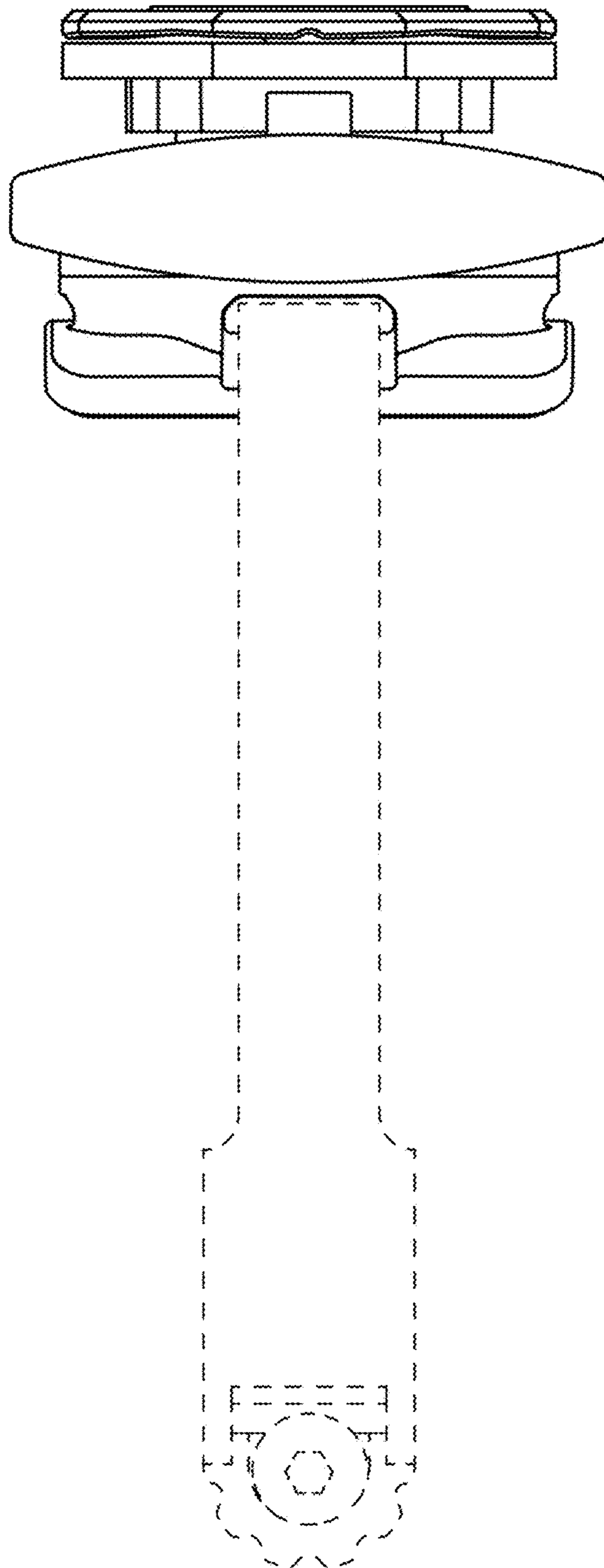




FIG. 7

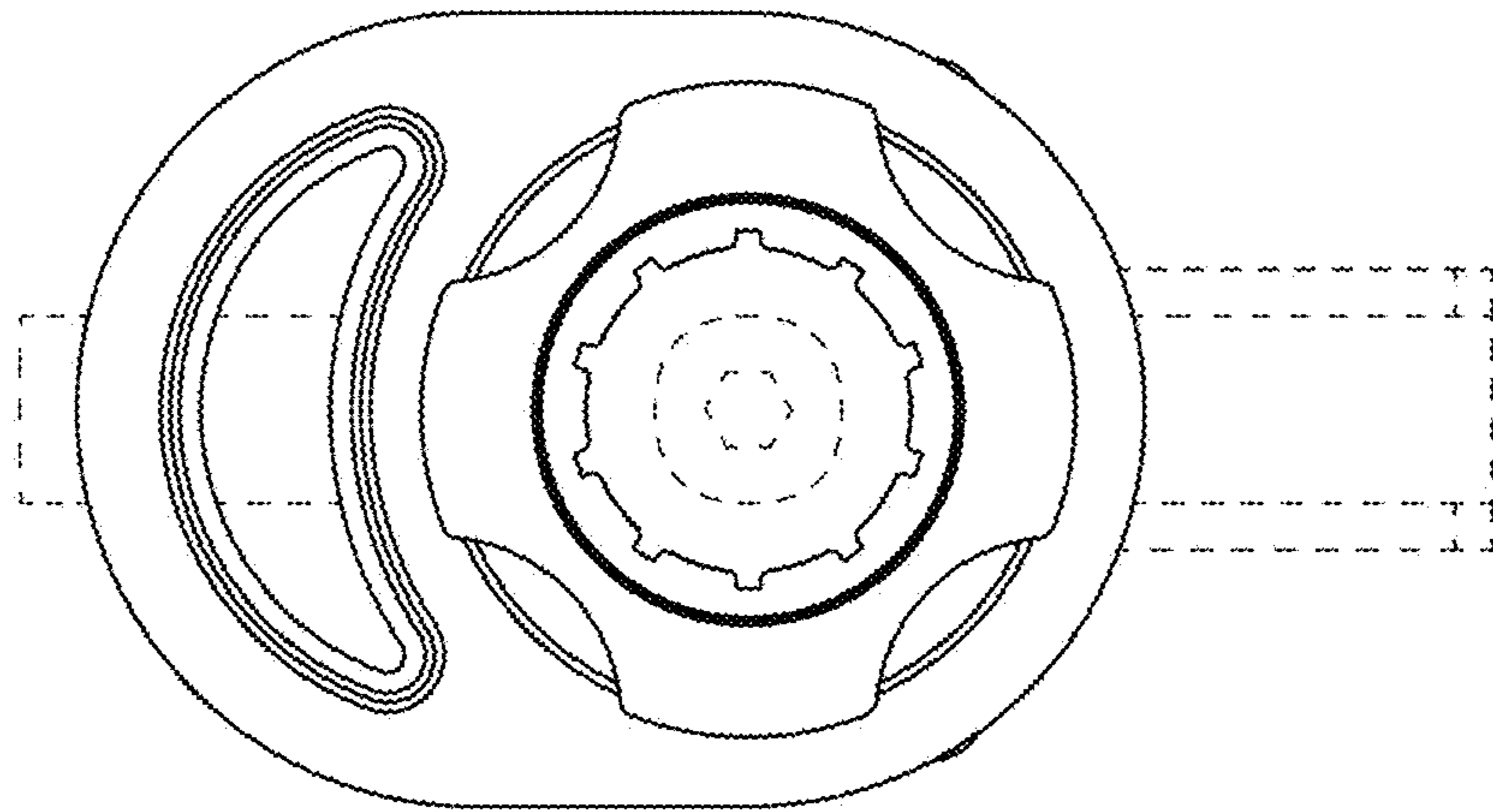


FIG. 8

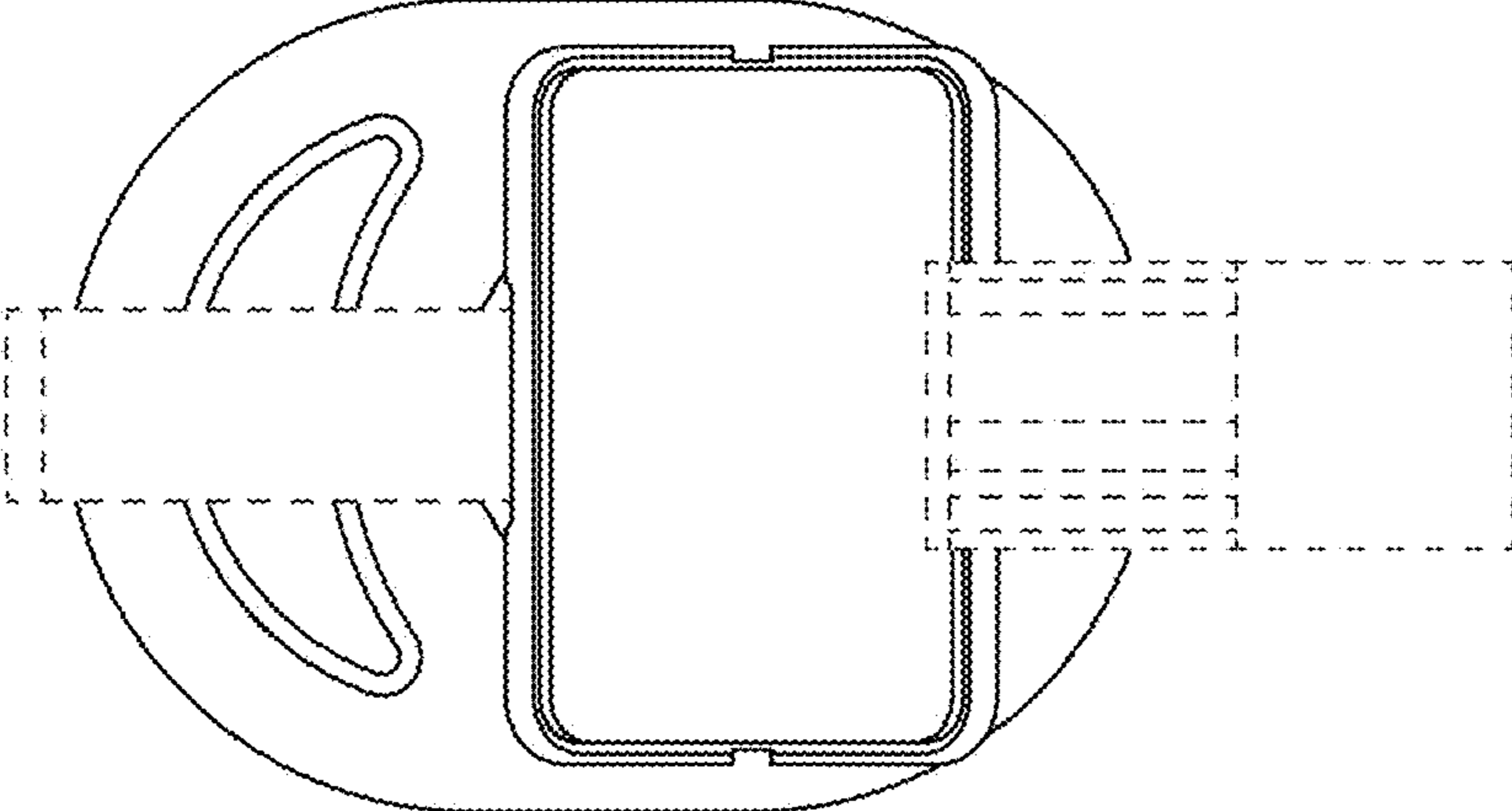


FIG. 9

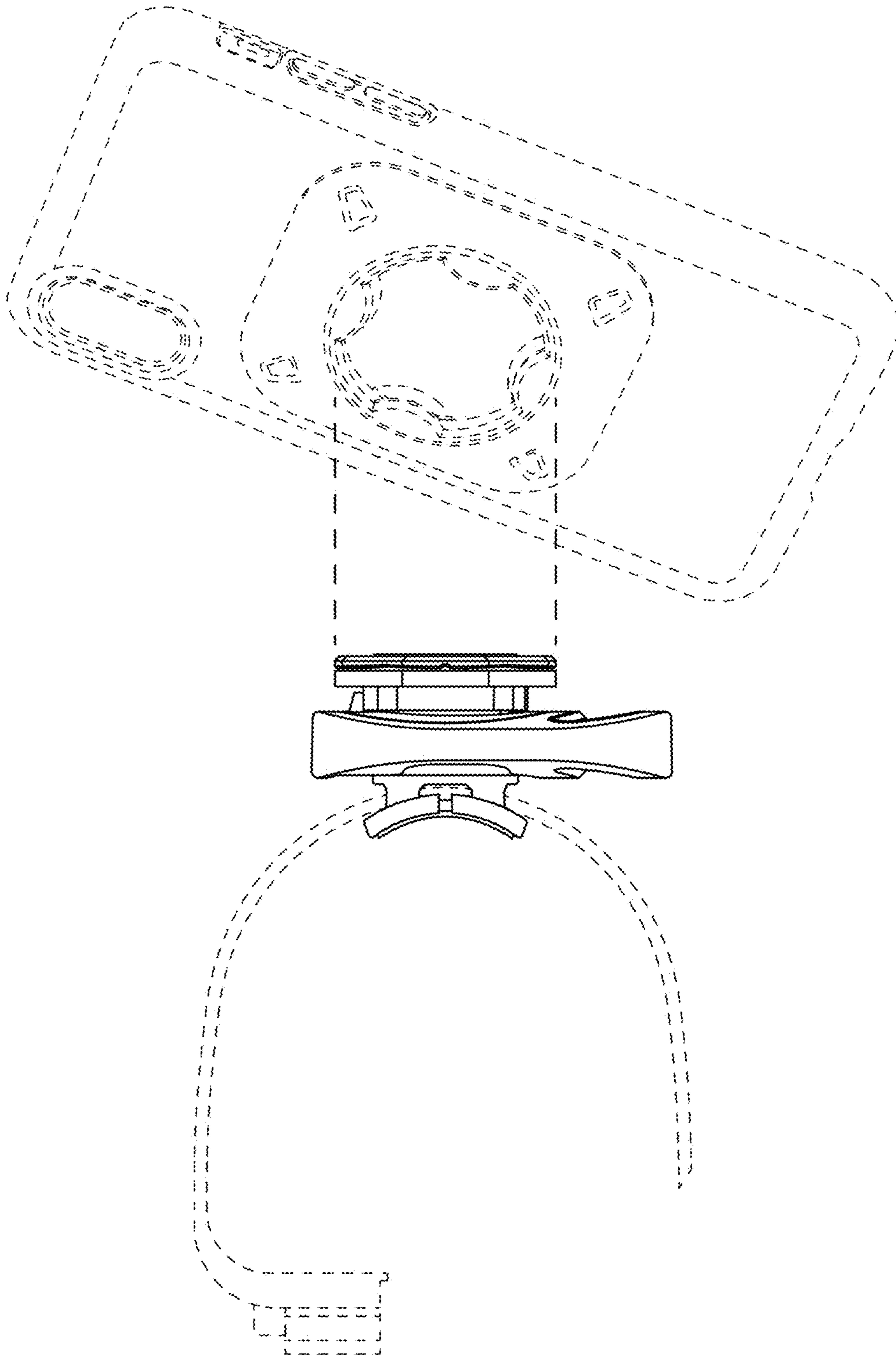


FIG. 10

