



US00D888063S

(12) **United States Design Patent**
Chan et al.

(10) **Patent No.:** **US D888,063 S**
(45) **Date of Patent:** **** Jun. 23, 2020**

(54) **CASE FOR TABLET-SHAPED PORTABLE ELECTRONIC DEVICE**

(71) Applicant: **Pioneer Square Brands, Inc.**, Seattle, WA (US)

(72) Inventors: **Jaimie Emerald Chan**, Renton, WA (US); **Michael Cooper Ferren**, Camus, WA (US)

(73) Assignee: **PIONEER SQUARE BRANDS, INC.**, McLean, VA (US)

(**) Term: **15 Years**

(21) Appl. No.: **29/723,156**

(22) Filed: **Feb. 4, 2020**

(51) **LOC (12) Cl.** **14-02**

(52) **U.S. Cl.**
USPC **D14/440**

(58) **Field of Classification Search**
USPC D14/440, 447, 250, 316, 455; 206/45.23, 206/320, 45.2; 361/679.55; 294/25; 224/218

CPC G06F 1/1628; G06F 1/1626; G06F 1/1669; A47B 23/044; H04B 1/3888

See application file for complete search history.

(56) **References Cited**

U.S. PATENT DOCUMENTS

D696,257 S	*	12/2013	Ward	D14/440
D701,211 S		3/2014	Ng		
D724,093 S		3/2015	Dong		
D729,255 S	*	5/2015	Kilkenny	D14/440
D731,493 S		6/2015	Mills		
D731,494 S		6/2015	Barfoot et al.		
D733,154 S		6/2015	Armstrong et al.		
D734,748 S	*	7/2015	Chen	D14/341
D763,855 S		8/2016	Poon et al.		

D764,472 S		8/2016	Corcoran et al.	
D764,475 S		8/2016	Penn	
D775,132 S		12/2016	Smith et al.	
D805,774 S	*	12/2017	Sun D3/294
D806,713 S		1/2018	Wright et al.	
D817,334 S		5/2018	Fenton et al.	
D829,721 S		10/2018	Zhang	
D831,659 S		10/2018	Gao	
D837,796 S		1/2019	Kim et al.	
D841,012 S		2/2019	Kim et al.	
D841,013 S		2/2019	Ferren et al.	
D847,817 S		5/2019	Cheng	
D848,441 S		5/2019	Ferren et al.	
D850,454 S		6/2019	Kim et al.	
D851,648 S		6/2019	Tan	
D852,200 S		6/2019	Chan et al.	
D852,201 S		6/2019	Chan et al.	
D852,802 S		7/2019	Gao	
D864,210 S		7/2019	Chan et al.	
D862,480 S		10/2019	Chan et al.	

(Continued)

Primary Examiner — Cynthia R Underwood

(74) *Attorney, Agent, or Firm* — Grandview Law

(57) **CLAIM**

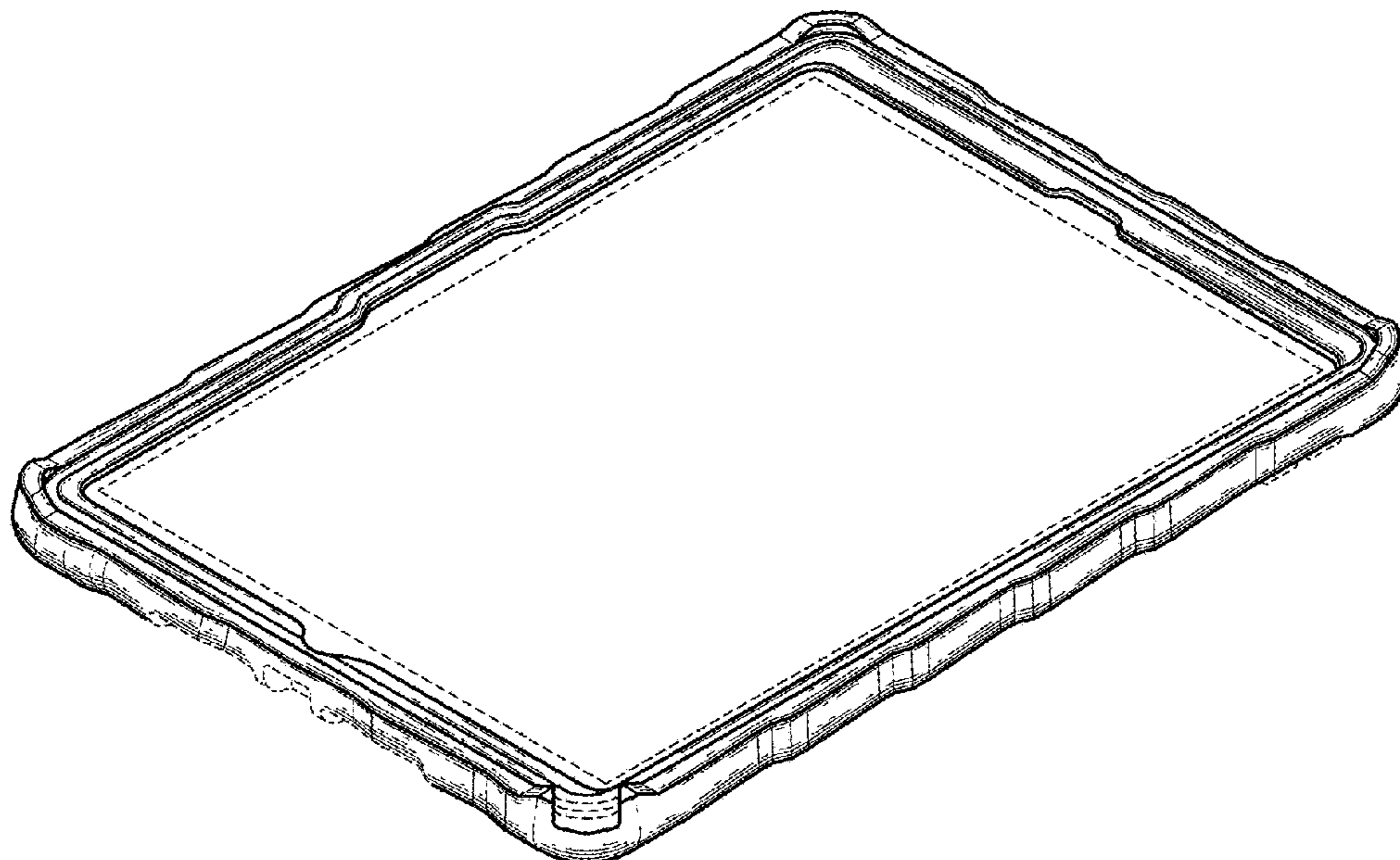
The ornamental design for a case for tablet-shaped portable electronic device, as shown and described.

DESCRIPTION

FIG. 1 is a front perspective view of a case for tablet-shaped portable electronic device showing our new design; FIG. 2 is a front elevational view thereof; FIG. 3 is a rear elevational view thereof; FIG. 4 is a left elevational view thereof; FIG. 5 is a right elevational view thereof; FIG. 6 is a top plan view thereof; and, FIG. 7 is a bottom plan thereof.

The features shown in broken lines in the drawing figures depict features that form no part of the claimed design.

1 Claim, 4 Drawing Sheets



(56)

References Cited

U.S. PATENT DOCUMENTS

D863,314 S	10/2019	Chan et al.	
D863,315 S	10/2019	Chan et al.	
D863,316 S	10/2019	Chan et al.	
D863,317 S	10/2019	Piper et al.	
D874,467 S	2/2020	Piper et al.	
D877,509 S *	3/2020	Kilkenny	D3/294
D879,104 S *	3/2020	Li	D14/440
D879,105 S *	3/2020	Li	D14/440
D879,789 S *	3/2020	Li	D14/440

* cited by examiner

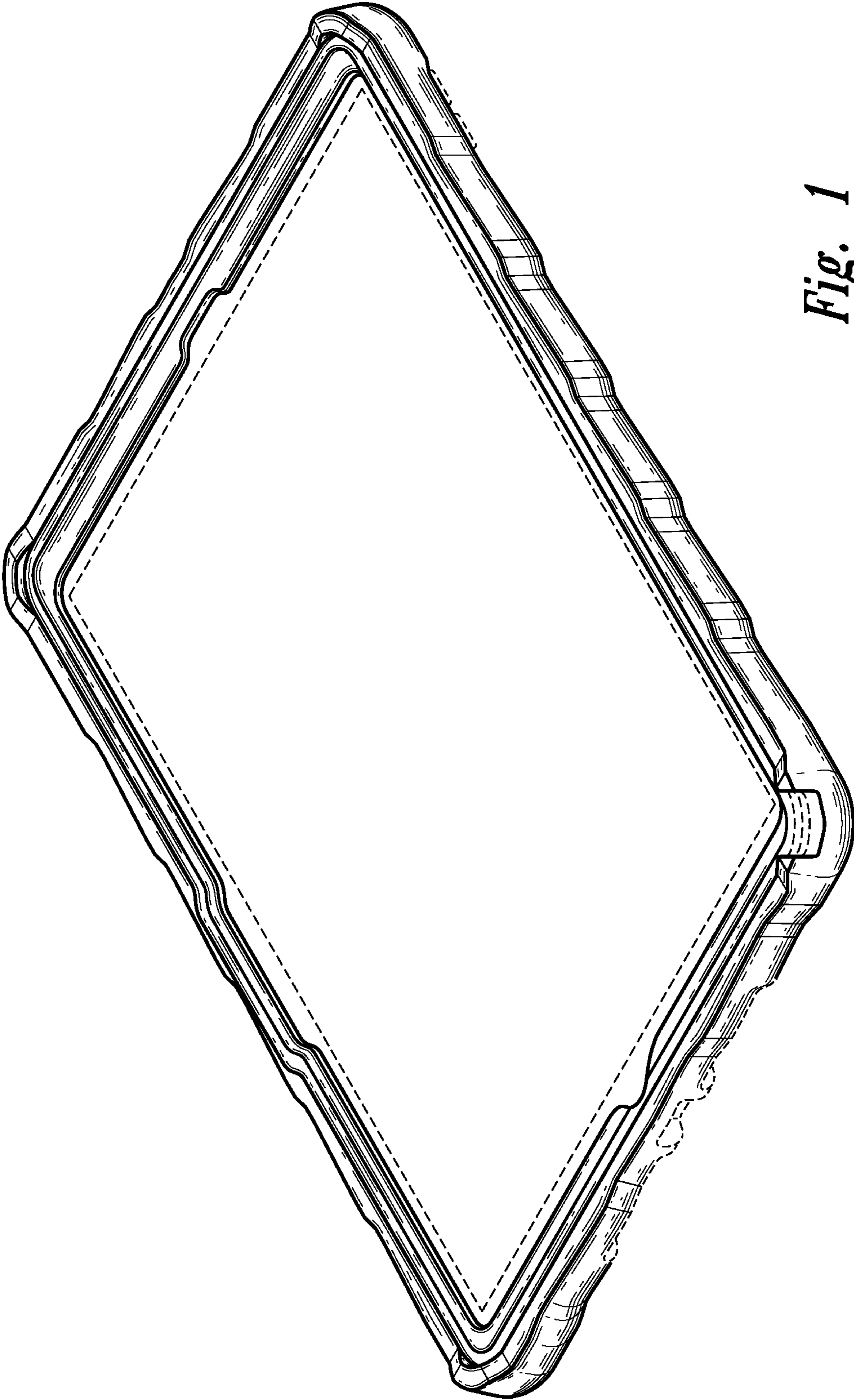


Fig. 1

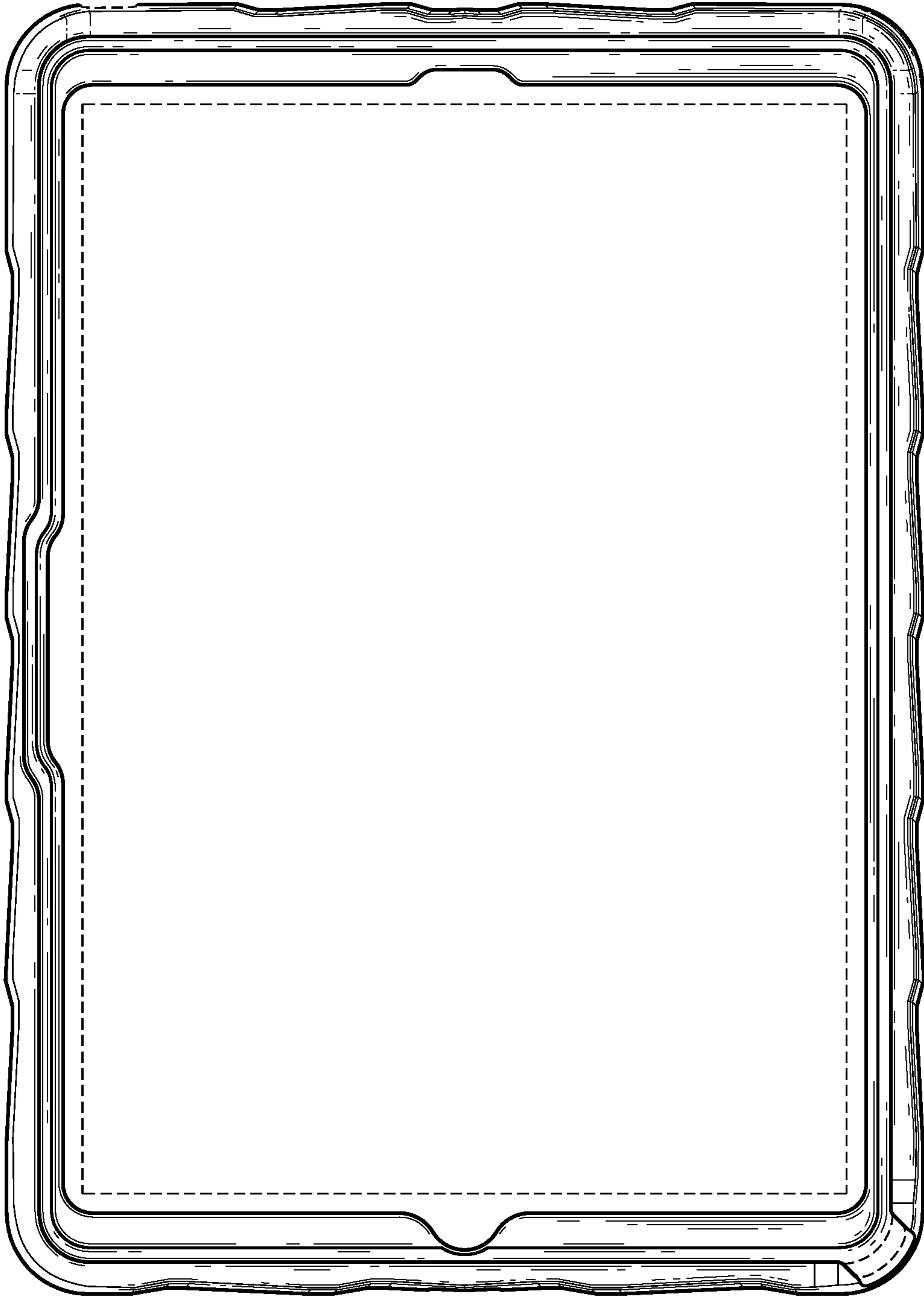


Fig. 2

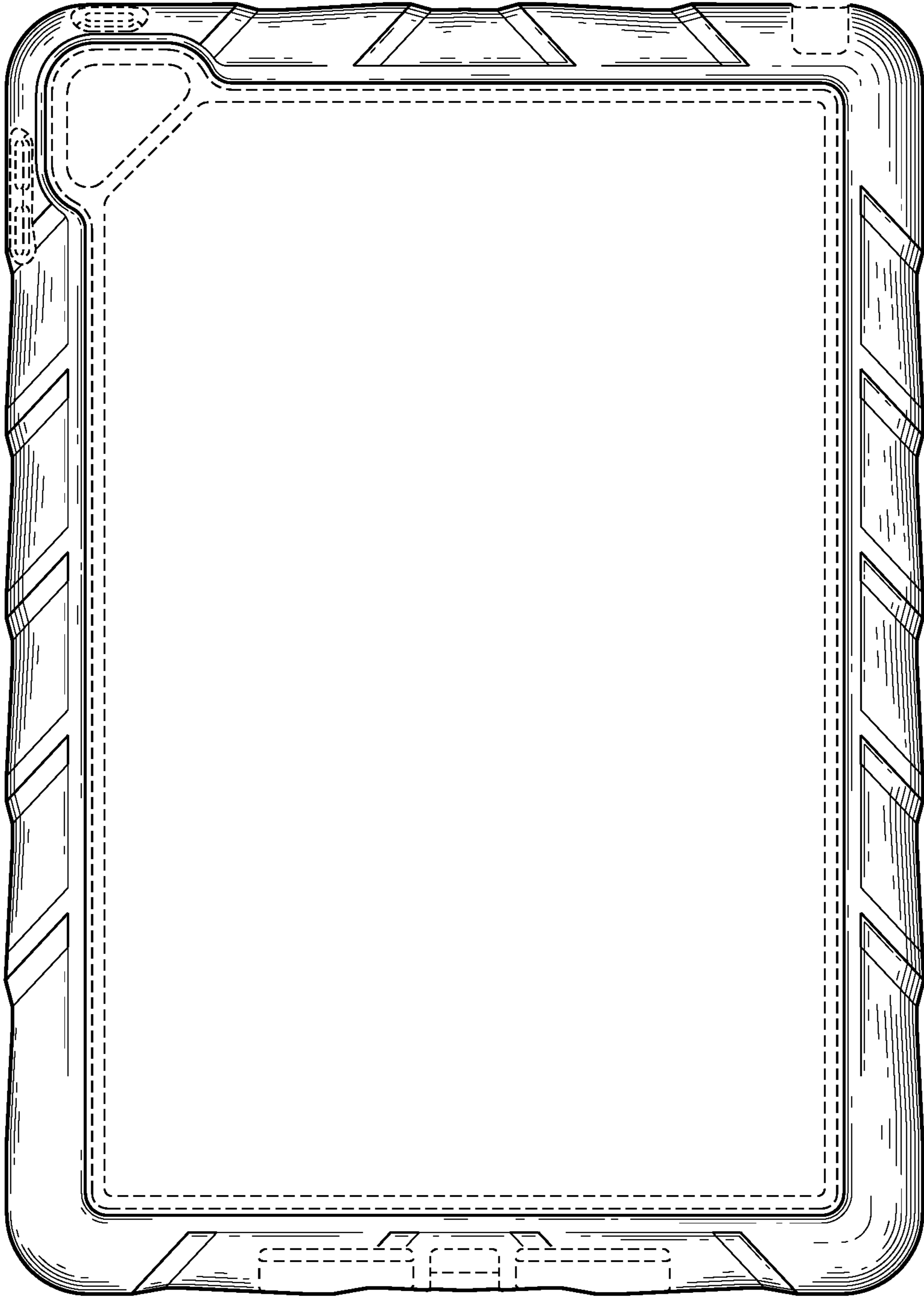


Fig. 3

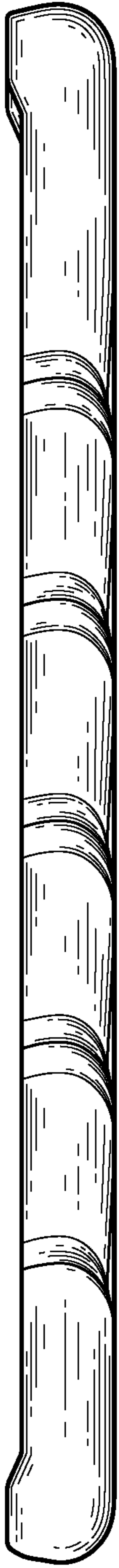


Fig. 4

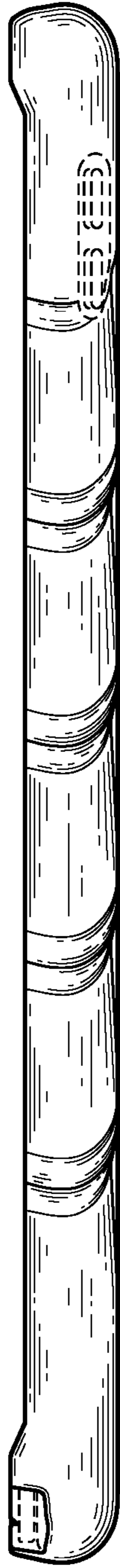


Fig. 5

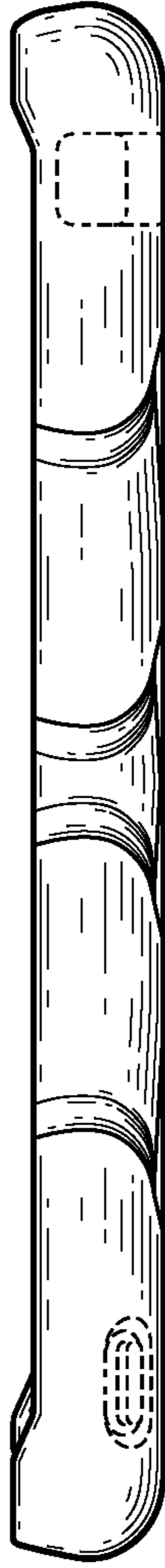


Fig. 6



Fig. 7