



US00D888060S

(12) **United States Design Patent**
Cote et al.

(10) **Patent No.:** **US D888,060 S**
(45) **Date of Patent:** **** Jun. 23, 2020**

(54) **MULTIPOINT TERMINAL FOR MAKING OPTICAL CONNECTIONS**
(71) Applicant: **Corning Research & Development Corporation**, Corning, NY (US)
(72) Inventors: **Monique Lise Cote**, Fort Worth, TX (US); **Edward Wilson Licitra**, San Francisco, CA (US); **Matthew Wallace Peterson**, San Francisco, CA (US); **Joel Christopher Rosson**, Hickory, NC (US); **Jonathan Patrick Summers**, South San Francisco, CA (US); **Lee Alexander Webb**, Huntersville, NC (US); **Dayne Wilcox**, Ed Cerrito, CA (US)

(73) Assignee: **Corning Research & Development Corporation**, Corning, NY (US)

(**) Term: **15 Years**

(21) Appl. No.: **29/675,162**

(22) Filed: **Dec. 28, 2018**

(51) **LOC (12) Cl.** **14-02**

(52) **U.S. Cl.**
USPC **D14/433**; D13/146

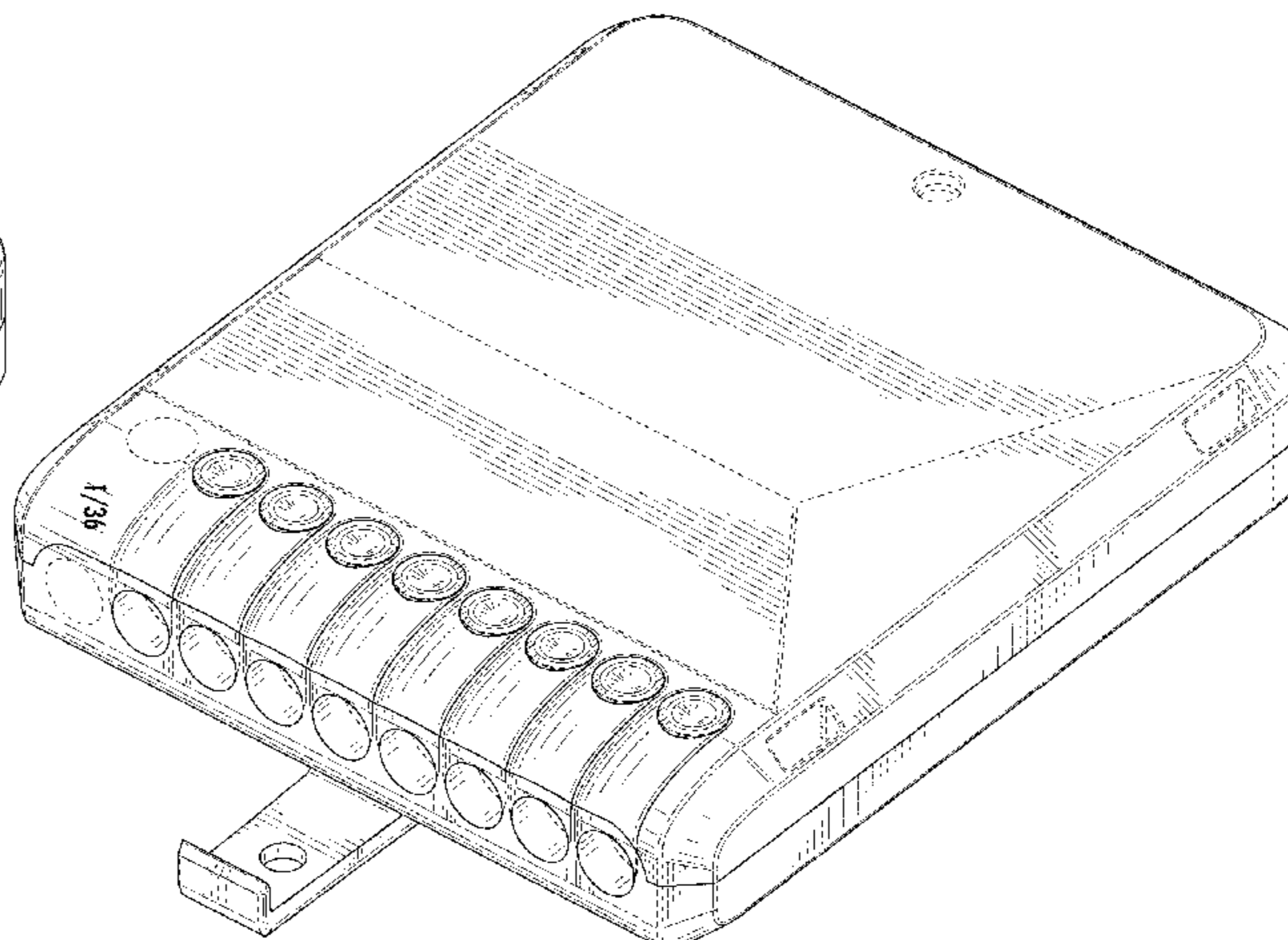
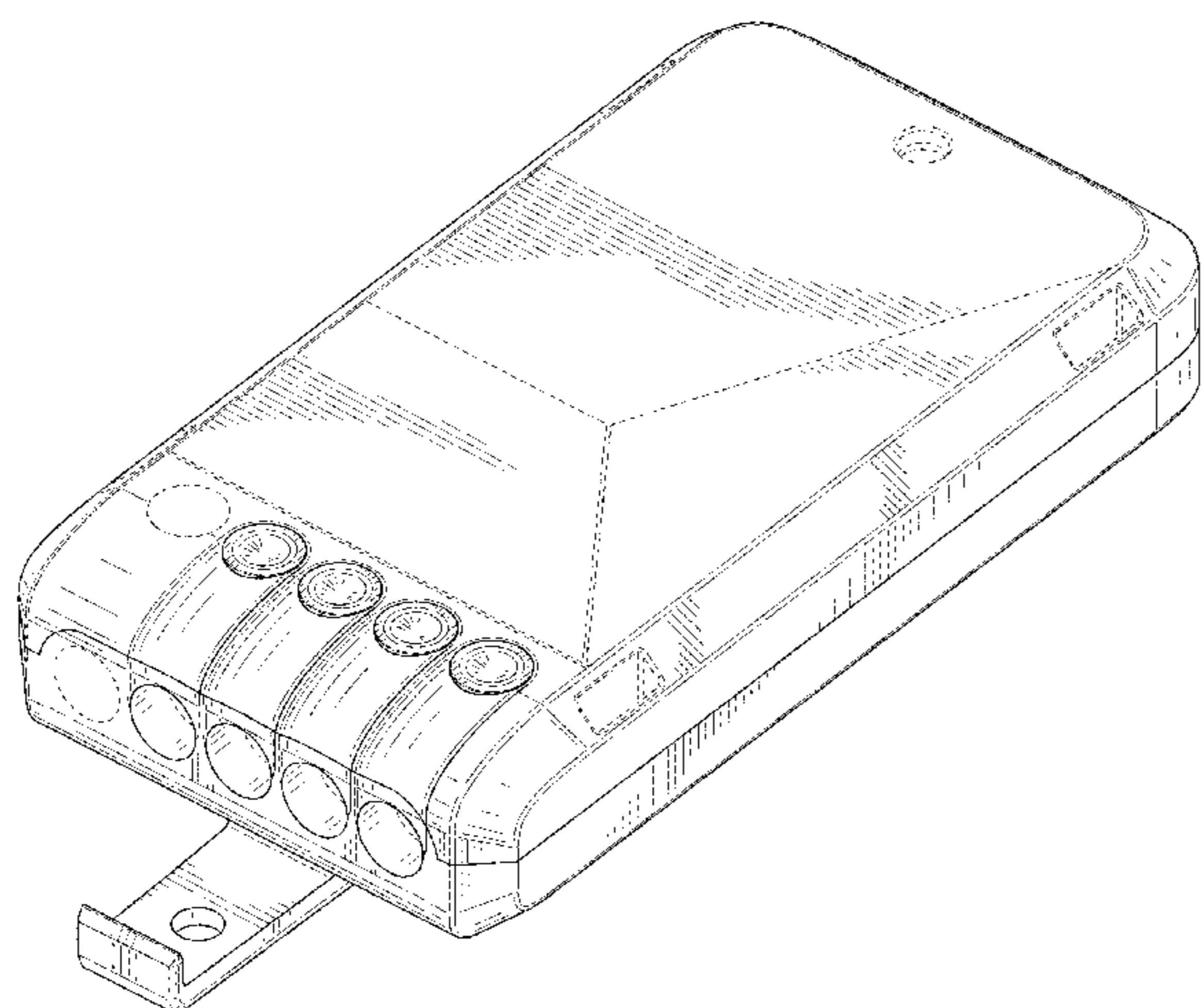
(58) **Field of Classification Search**
USPC D13/123, 133, 146, 147, 152, 154, 156, D13/158, 173, 177, 184, 199, 242, 107, D13/108, 110, 112, 118, 120, 145, 149, D13/150, 151, 153, 155, 157; D14/240, D14/242, 433, 434, 435.1, 438; D26/129
CPC ... G02B 6/3885; G02B 6/3821; G02B 6/3869
See application file for complete search history.

(56) **References Cited**

U.S. PATENT DOCUMENTS

D275,101 S * 8/1984 Read D10/106.1
D362,855 S * 10/1995 Bevilacqua D14/240
D364,346 S 11/1995 Yamada
D394,864 S 6/1998 Brandt

D425,021 S 5/2000 Ko
D482,693 S 11/2003 Nishio et al.
D486,824 S 2/2004 Chung
D487,086 S 2/2004 Chung
D490,403 S 5/2004 Wu et al.
D559,848 S 1/2008 Siu
D598,856 S 8/2009 Stromiedel et al.
D598,857 S 8/2009 Stromiedel et al.
D604,725 S 11/2009 Chen
7,614,887 B1 * 11/2009 Yi H01R 12/712
439/79
7,653,282 B2 1/2010 Blackwell, Jr. et al.
D673,564 S 1/2013 Milliff
D674,344 S 1/2013 Bies
D675,106 S 1/2013 Powers et al.
D678,286 S 3/2013 Cheng
D711,884 S 8/2014 Turksu et al.
8,801,297 B2 * 8/2014 McColloch G02B 6/3879
385/59
D716,304 S 10/2014 Orthey
D724,079 S 3/2015 Probst et al.
D739,822 S * 9/2015 Severing D13/146
D740,828 S 10/2015 Bucsa
D750,023 S 2/2016 Sasano
9,354,397 B2 * 5/2016 Bylander G02B 6/4214
D769,246 S 10/2016 Mielnik et al.
D785,632 S 5/2017 VanDuyn et al.
D788,112 S 5/2017 Liao
D791,138 S 7/2017 Eliyahu
D791,774 S 7/2017 Wilcox et al.
D794,028 S 8/2017 Lin
D794,478 S 8/2017 Read et al.
D795,079 S 8/2017 Wilcox et al.
D796,514 S 9/2017 Xu
D797,747 S 9/2017 Xu
D802,415 S 11/2017 Wilcox et al.
D808,915 S 1/2018 Wang
D810,693 S * 2/2018 Rao D13/147
D813,874 S 3/2018 Magi et al.
D815,642 S 4/2018 Wilcox et al.
D818,952 S * 5/2018 Wilcox D13/110
D818,953 S * 5/2018 Xu D13/110
D824,335 S 7/2018 Wilcox et al.
D824,337 S 7/2018 Wilcox et al.
D825,475 S 8/2018 Henley et al.
D825,540 S 8/2018 Wilcox et al.
D828,814 S * 9/2018 Senofsky D13/147
D835,049 S 12/2018 Wilcox et al.
D835,050 S 12/2018 Wilcox et al.
D835,086 S 12/2018 Wilcox et al.
D837,216 S 1/2019 Bagley et al.
D837,788 S 1/2019 Bagley et al.
D837,789 S 1/2019 Woody



D841,583	S	*	2/2019	Spiegel	D13/110
D842,815	S		3/2019	Senofsky et al.	
D853,334	S	*	7/2019	Mastel	D13/146
D862,394	S	*	10/2019	Hernandez	D13/147
D872,012	S	*	1/2020	Rao	D13/107
2014/0219621	A1		8/2014	Barnette, Jr. et al.	
2015/0268436	A1		9/2015	Blackwell, Jr. et al.	
2015/0316738	A1		11/2015	McPhil Giraud et al.	
2018/0157002	A1		6/2018	Bishop et al.	
2019/0004251	A1		1/2019	Dannoux et al.	
2019/0004255	A1		1/2019	Dannoux et al.	
2019/0004258	A1		1/2019	Dannoux et al.	

FOREIGN PATENT DOCUMENTS

AU	2014101479	A4	1/2015
WO	2014123940	A1	8/2014
WO	2019005190	A2	1/2019
WO	2019005191	A1	1/2019
WO	2019005192	A1	1/2019
WO	2019005193	A1	1/2019
WO	2019005194	A1	1/2019
WO	2019005195	A1	1/2019
WO	2019005196	A1	1/2019
WO	2019005197	A1	1/2019
WO	2019005198	A1	1/2019
WO	2019005199	A1	1/2019
WO	2019005200	A1	1/2019
WO	2019005201	A1	1/2019
WO	2019005202	A1	1/2019
WO	2019005203	A1	1/2019
WO	2019005204	A1	1/2019

OTHER PUBLICATIONS

E Catalog Corning. OptiSheath® Multipurpose Enclosure. No date specified. <https://ecatalog.corning.com/optical-communications/CALA/en/Closures/Fiber-Optic-Closures/OptiSheath%C2%AE-Multipurpose-Enclosure/p/optisheath-multipurpose-enclosure?clear=true> (Year: 0).*

Corning's New Jumper In A Box Packaging Solution, dated Jul. 20, 2016, [online], [site visited Dec. 14, 2018], Available from Internet, <URL: <https://www.youtube.com/watch?v=XUNYr-XAbVc>> (Year: 2016).

* cited by examiner

Primary Examiner — Darcey E Gottschalk
(74) *Attorney, Agent, or Firm* — Michael E. Carroll, Jr.

(57) **CLAIM**

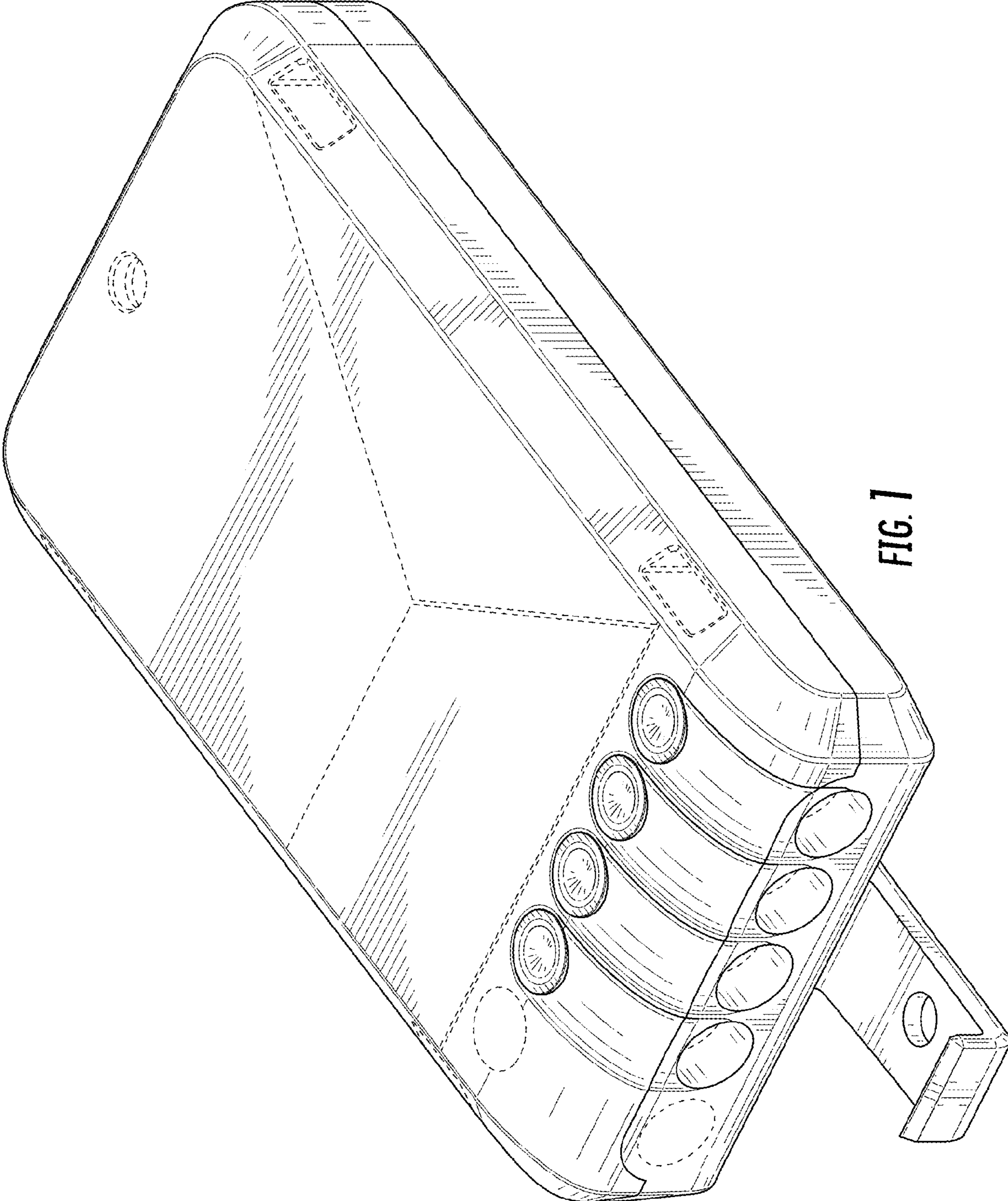
The ornamental design for a multiport terminal for making optical connections, as shown and described.

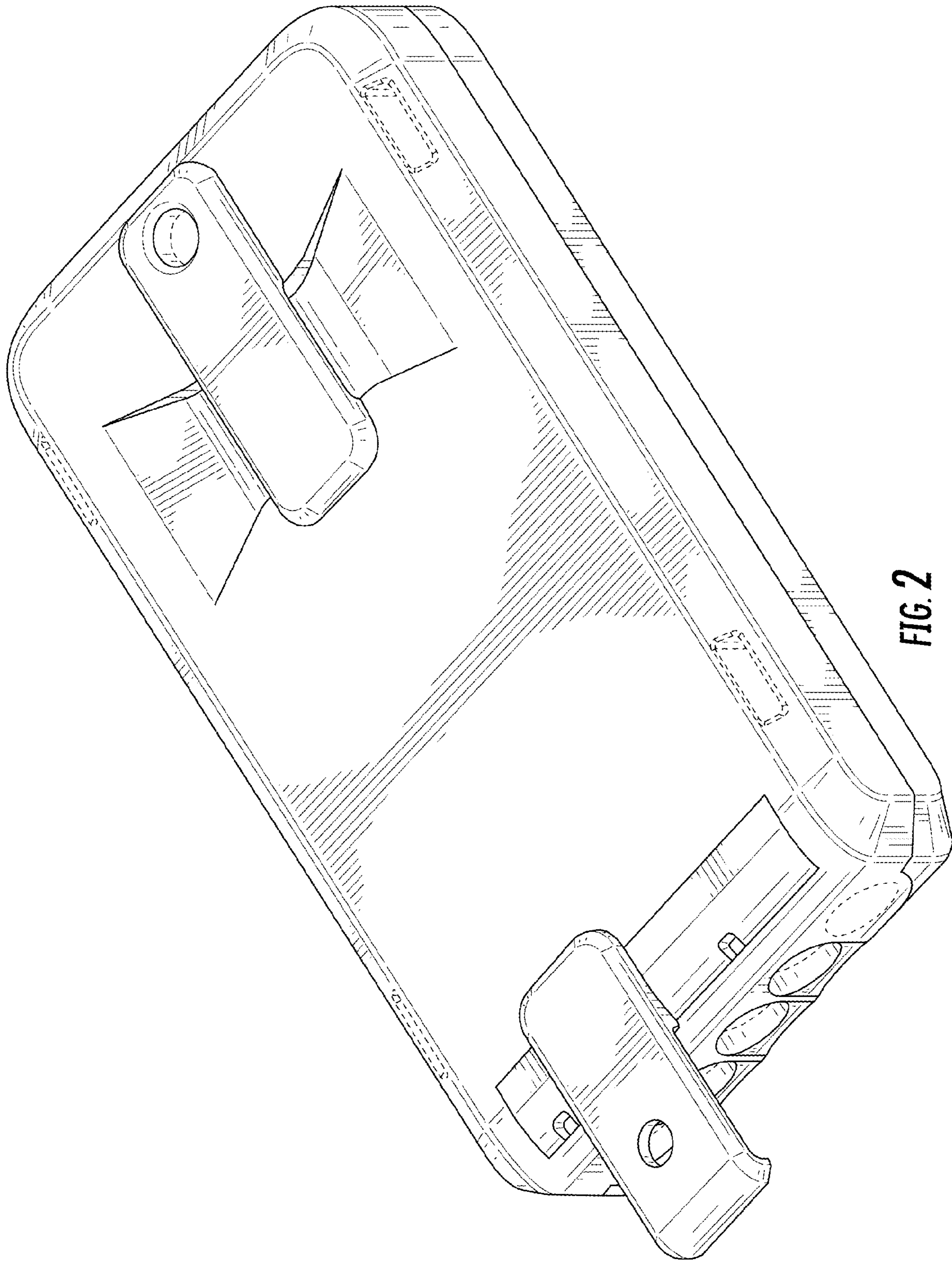
DESCRIPTION

FIG. 1 is a top perspective view of a first embodiment of a multiport terminal for making optical connections showing our new design;
FIG. 2 is a bottom perspective view thereof of FIG. 1;
FIG. 3 is a front view thereof of FIG. 1;
FIG. 4 is a rear view thereof of FIG. 1;
FIG. 5 is a right side view thereof of FIG. 1;

FIG. 6 is a left side view thereof of FIG. 1;
FIG. 7 is a top view thereof of FIG. 1; and
FIG. 8 is a bottom view thereof of FIG. 1.
FIG. 9 is a top perspective view of a second embodiment of a multiport terminal for making optical connections showing our new design;
FIG. 10 is a bottom perspective view thereof of FIG. 9;
FIG. 11 is a front view thereof of FIG. 9;
FIG. 12 is a rear view thereof of FIG. 9;
FIG. 13 is a right side view thereof of FIG. 9;
FIG. 14 is a left side view thereof of FIG. 9;
FIG. 15 is a top view thereof of FIG. 9; and
FIG. 16 is a bottom view thereof of FIG. 9.
FIG. 17 is a top perspective view of a third embodiment of a multiport terminal for making optical connections showing our new design;
FIG. 18 is a bottom perspective view thereof of FIG. 17;
FIG. 19 is a front view thereof of FIG. 17;
FIG. 20 is a rear view thereof of FIG. 17;
FIG. 21 is a right side view thereof of FIG. 17;
FIG. 22 is a left side view thereof of FIG. 17;
FIG. 23 is a top view thereof of FIG. 17; and
FIG. 24 is a bottom view thereof of FIG. 17.
FIG. 25 is a top perspective view of a fourth embodiment of a multiport terminal for making optical connections showing our new design;
FIG. 26 is a bottom perspective view thereof of FIG. 25;
FIG. 27 is a front view thereof of FIG. 25;
FIG. 28 is a rear view thereof of FIG. 25;
FIG. 29 is a right side view thereof of FIG. 25;
FIG. 30 is a left side view thereof of FIG. 25;
FIG. 31 is a top view thereof of FIG. 25; and
FIG. 32 is a bottom view thereof of FIG. 25.
FIG. 33 is a top perspective view of a fifth embodiment of a multiport terminal for making optical connections showing our new design;
FIG. 34 is a bottom perspective view thereof of FIG. 33;
FIG. 35 is a front view thereof of FIG. 33;
FIG. 36 is a rear view thereof of FIG. 33;
FIG. 37 is a right side view thereof of FIG. 33;
FIG. 38 is a left side view thereof of FIG. 33;
FIG. 39 is a top view thereof of FIG. 33; and
FIG. 40 is a bottom view thereof of FIG. 33.
FIG. 41 is a top perspective view of a sixth embodiment of a multiport terminal for making optical connections showing our new design;
FIG. 42 is a bottom perspective view thereof of FIG. 41;
FIG. 43 is a front view thereof of FIG. 41;
FIG. 44 is a rear view thereof of FIG. 41;
FIG. 45 is a right side view thereof of FIG. 41;
FIG. 46 is a left side view thereof of FIG. 41;
FIG. 47 is a top view thereof of FIG. 41; and
FIG. 48 is a bottom view thereof of FIG. 41.
In FIGS. 1-48, the evenly-spaced broken lines are included for the purpose of illustrating environmental structure and form no part of the claimed design.

1 Claim, 36 Drawing Sheets





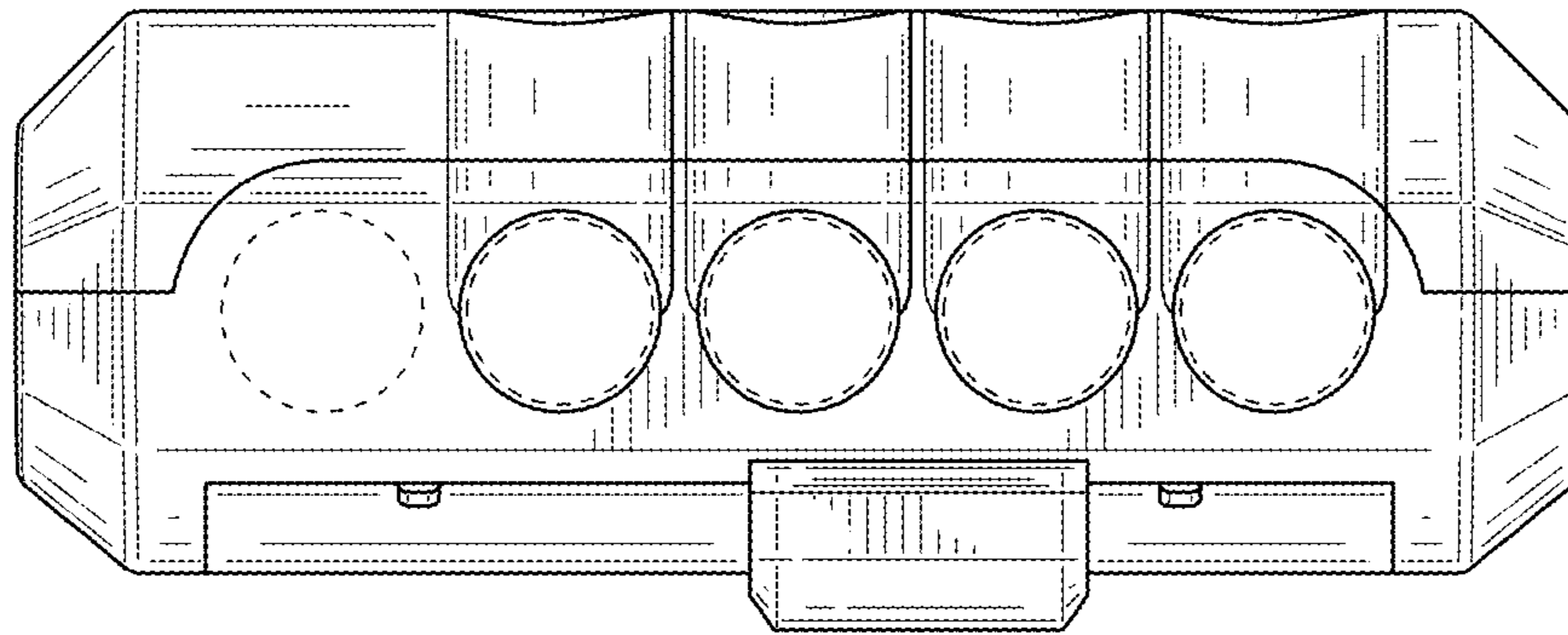


FIG. 3

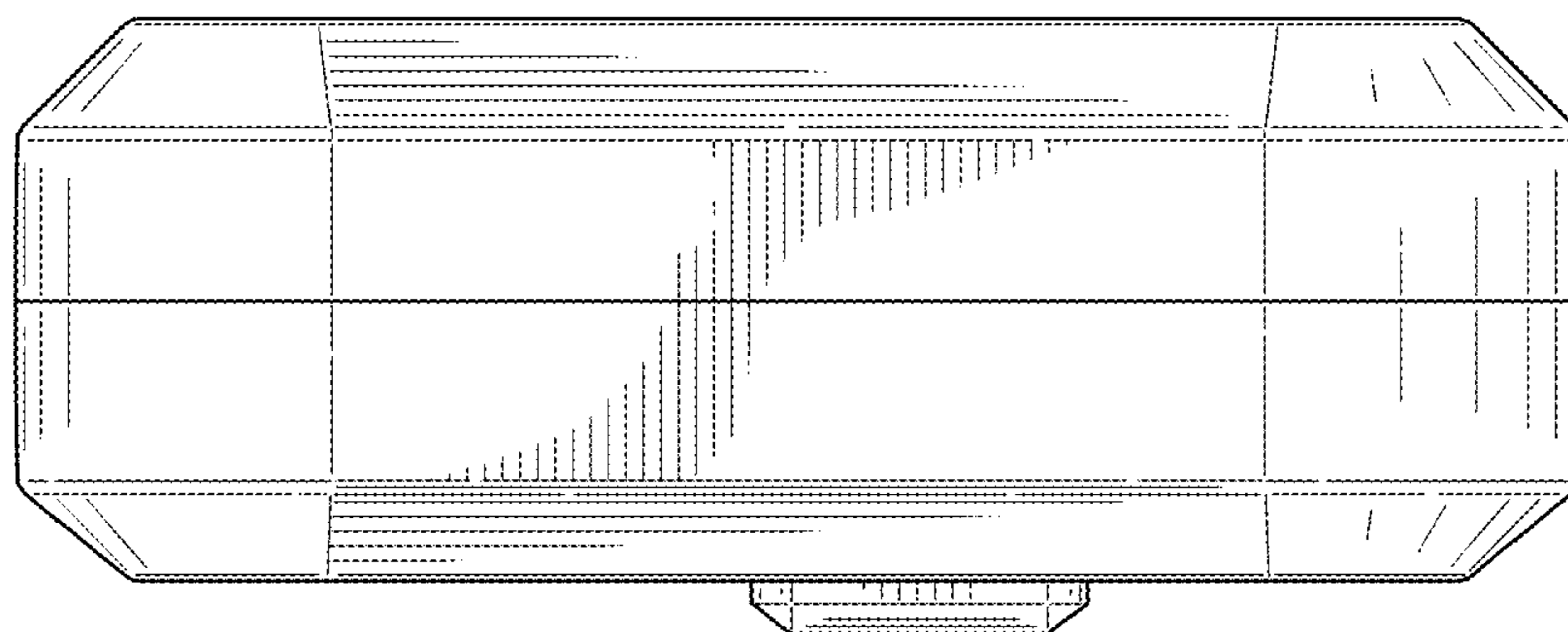


FIG. 4

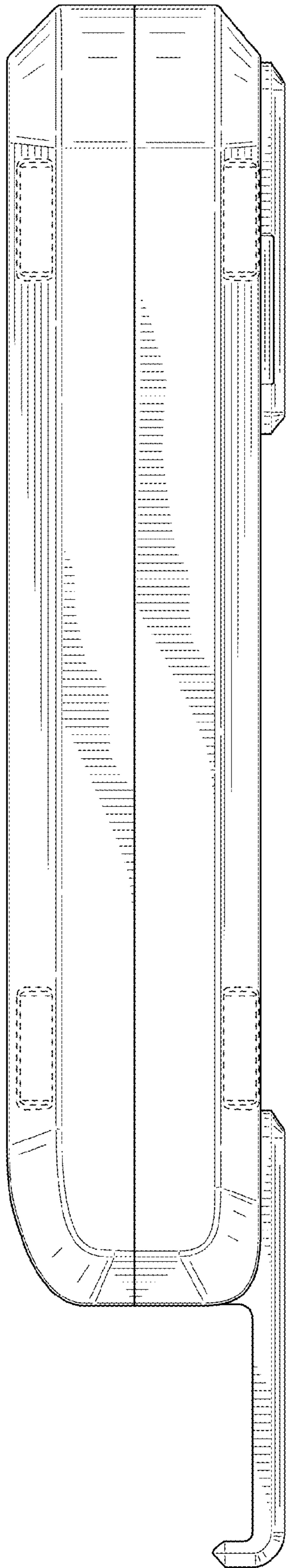


FIG. 5

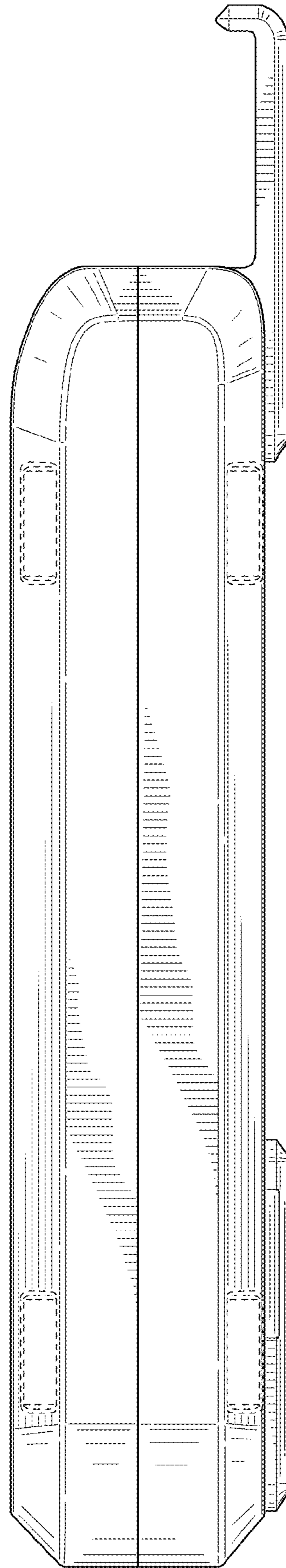
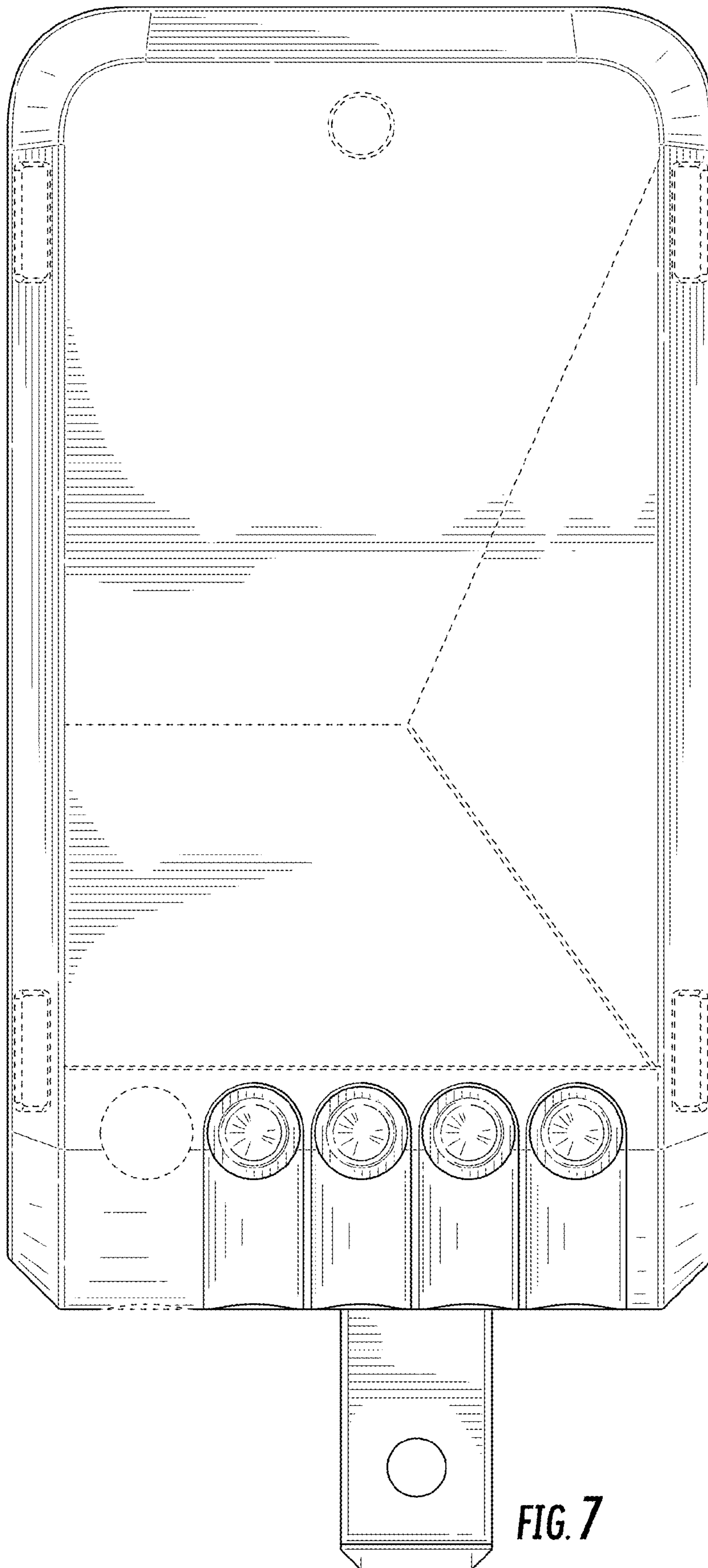


FIG. 6



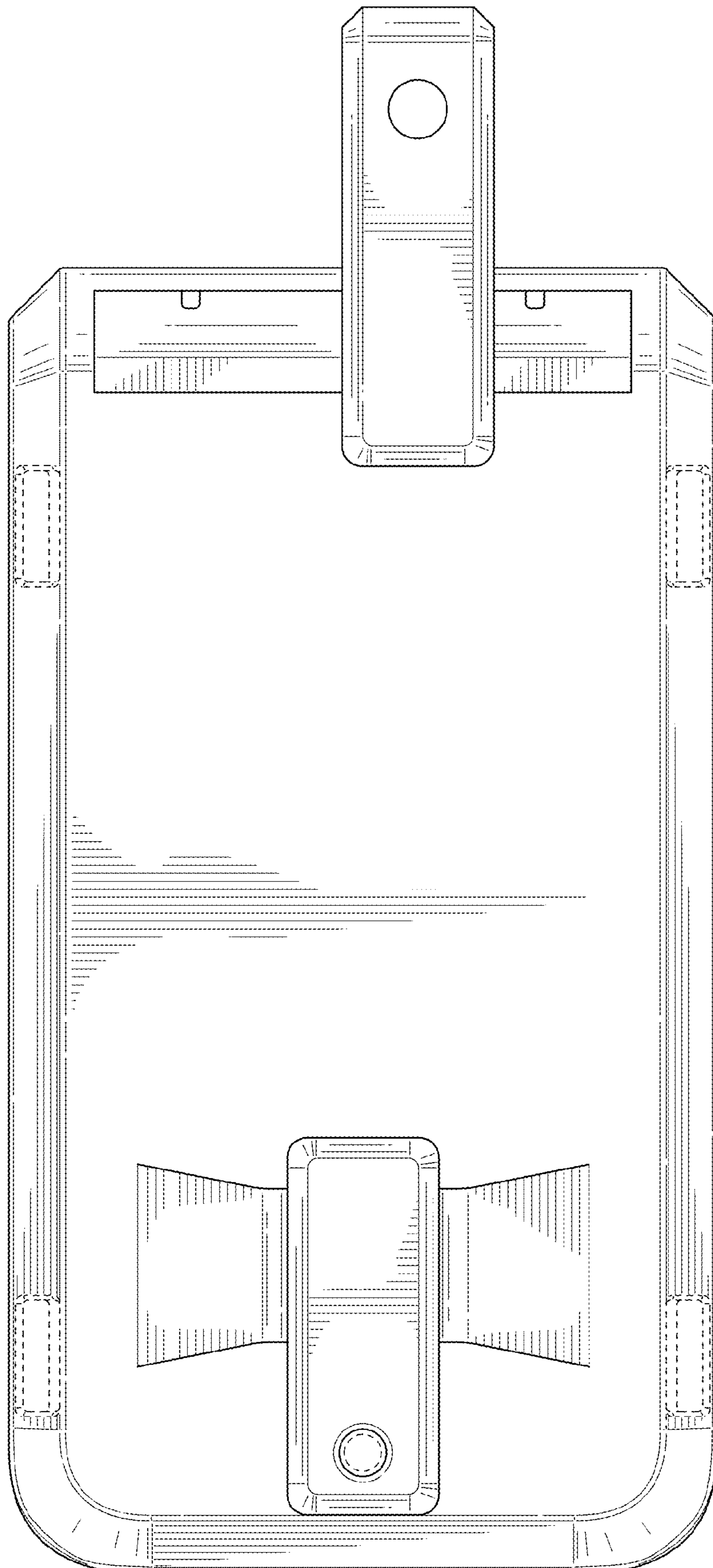


FIG. 8

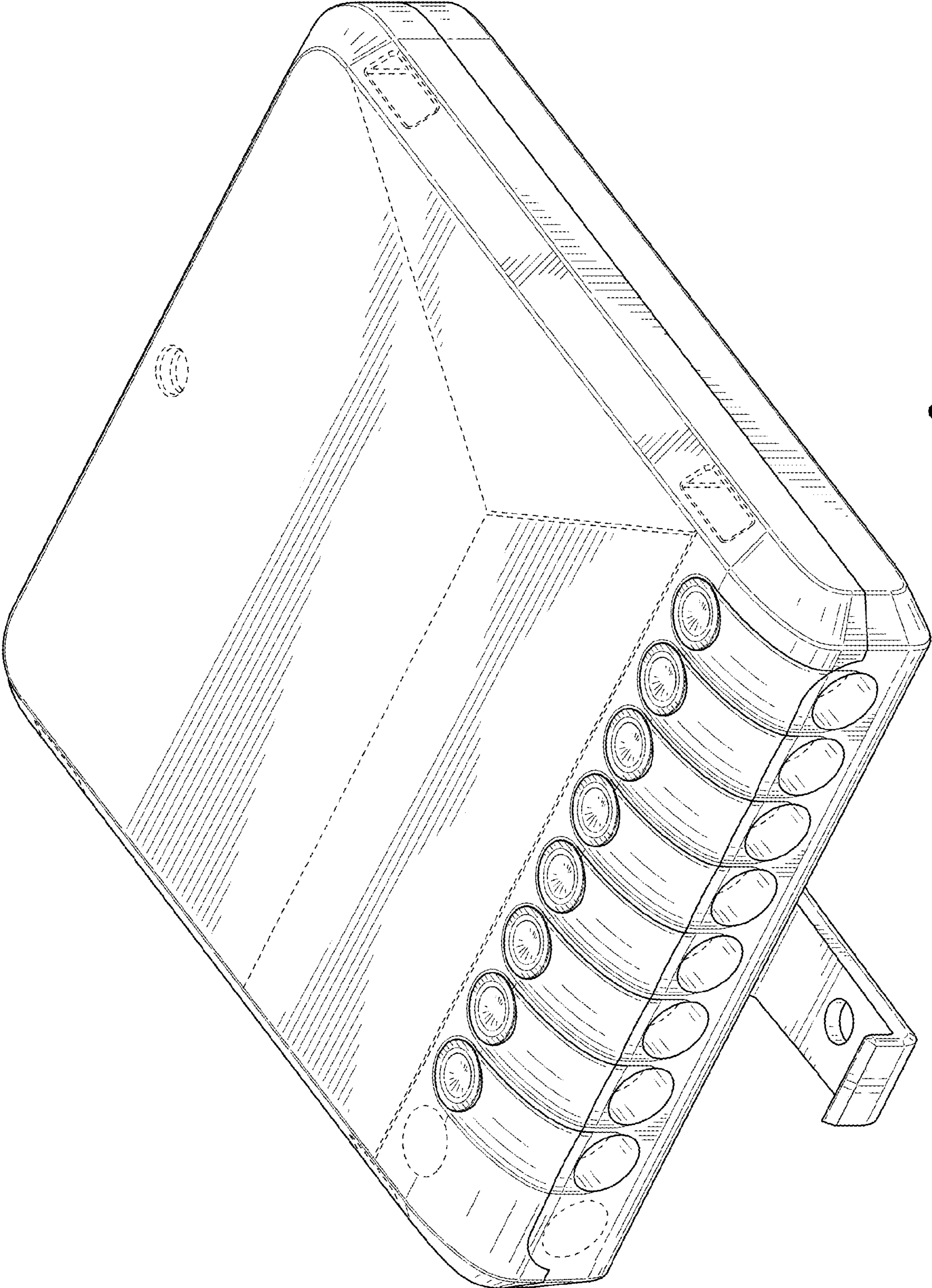


FIG. 9

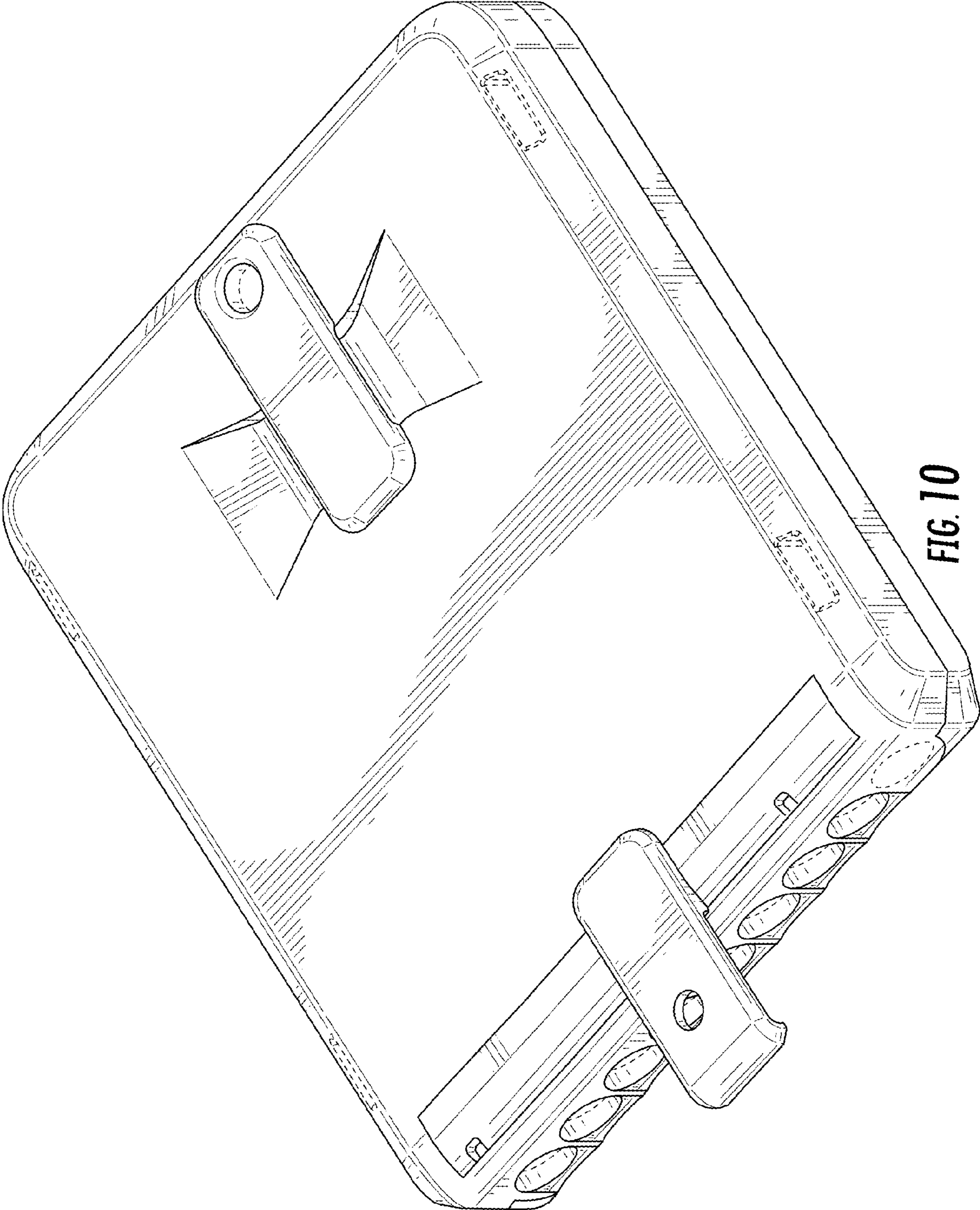


FIG. 10

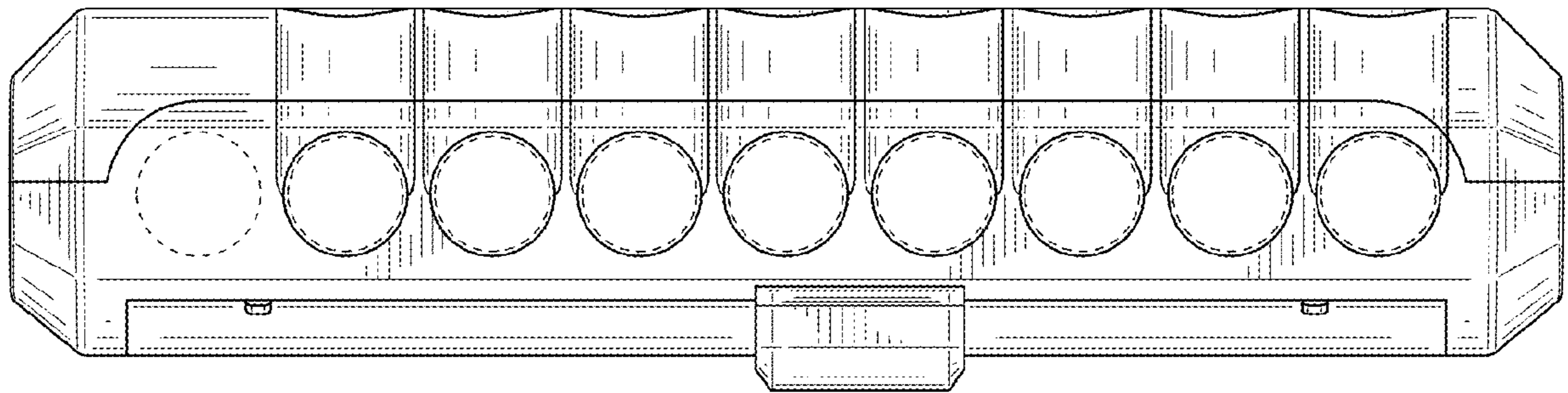


FIG. 11

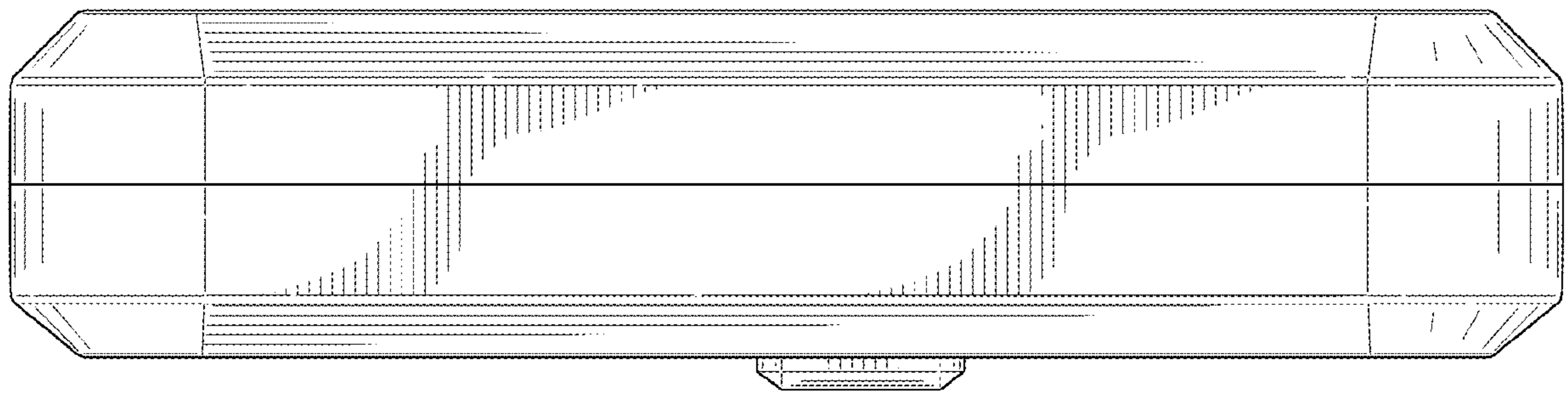


FIG. 12

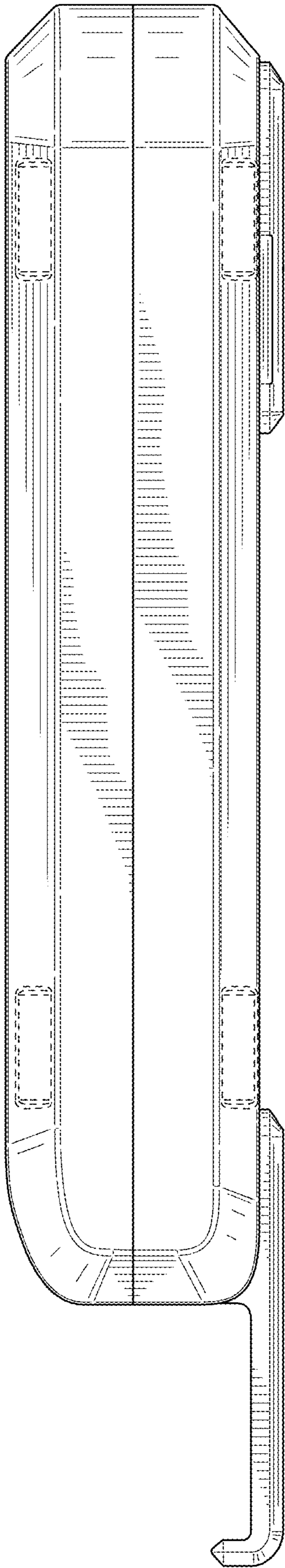


FIG. 13

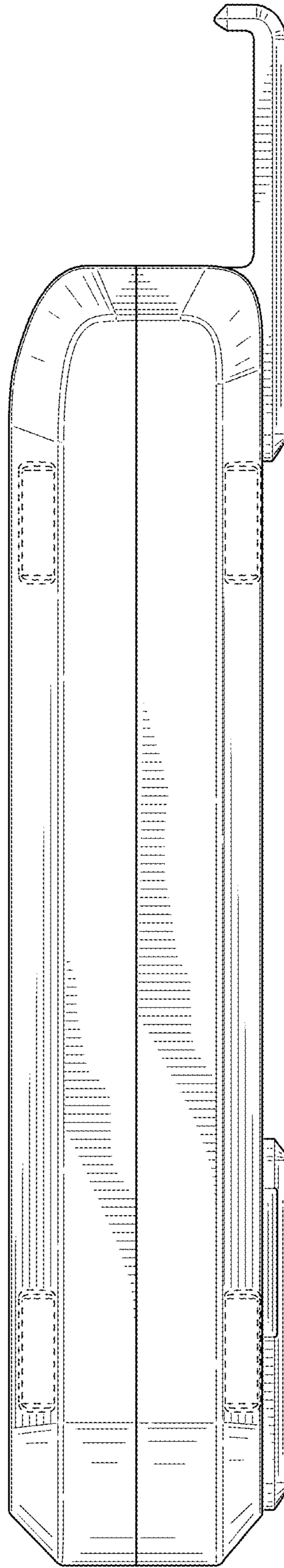


FIG. 14

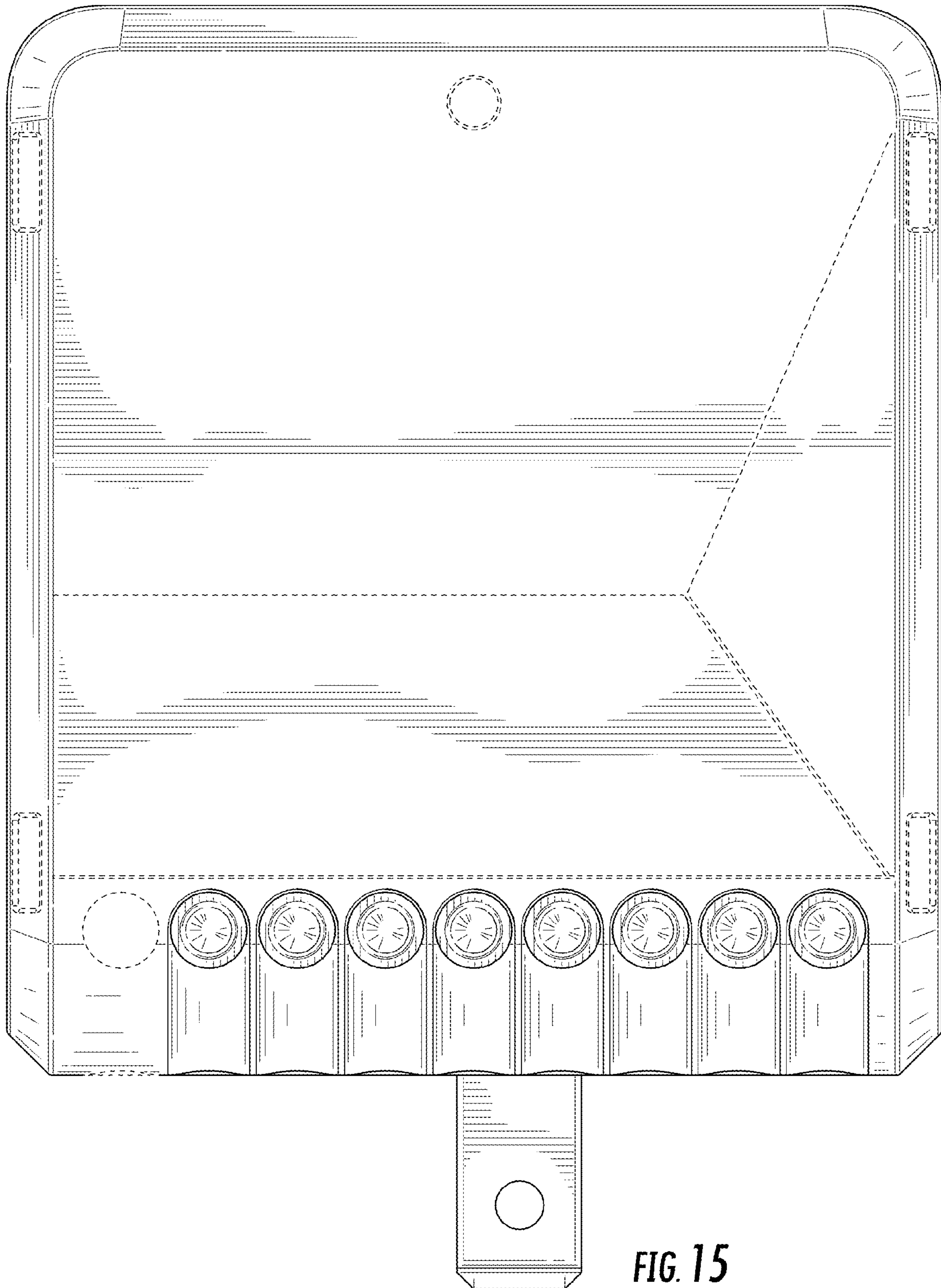


FIG. 15

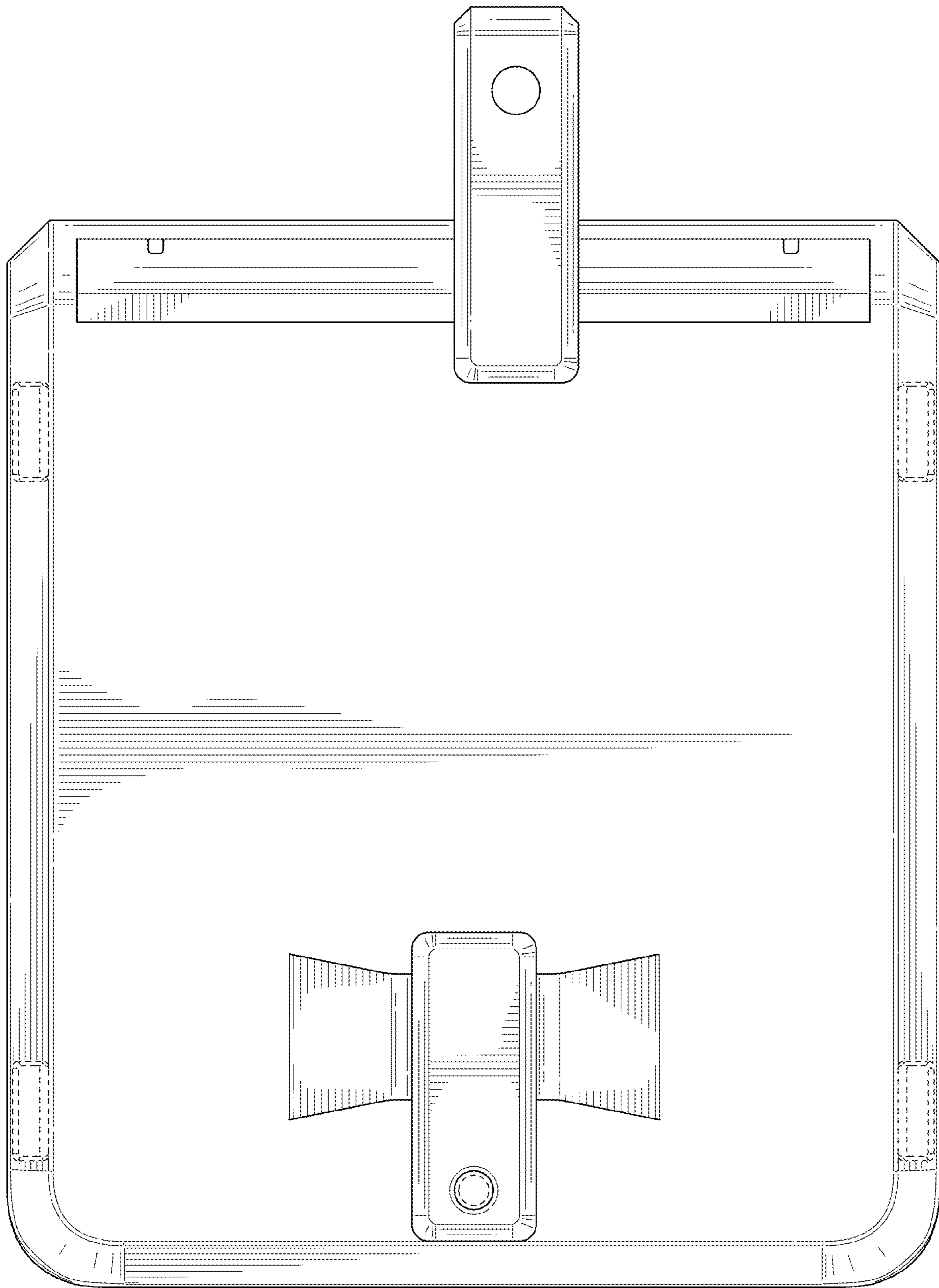


FIG. 16

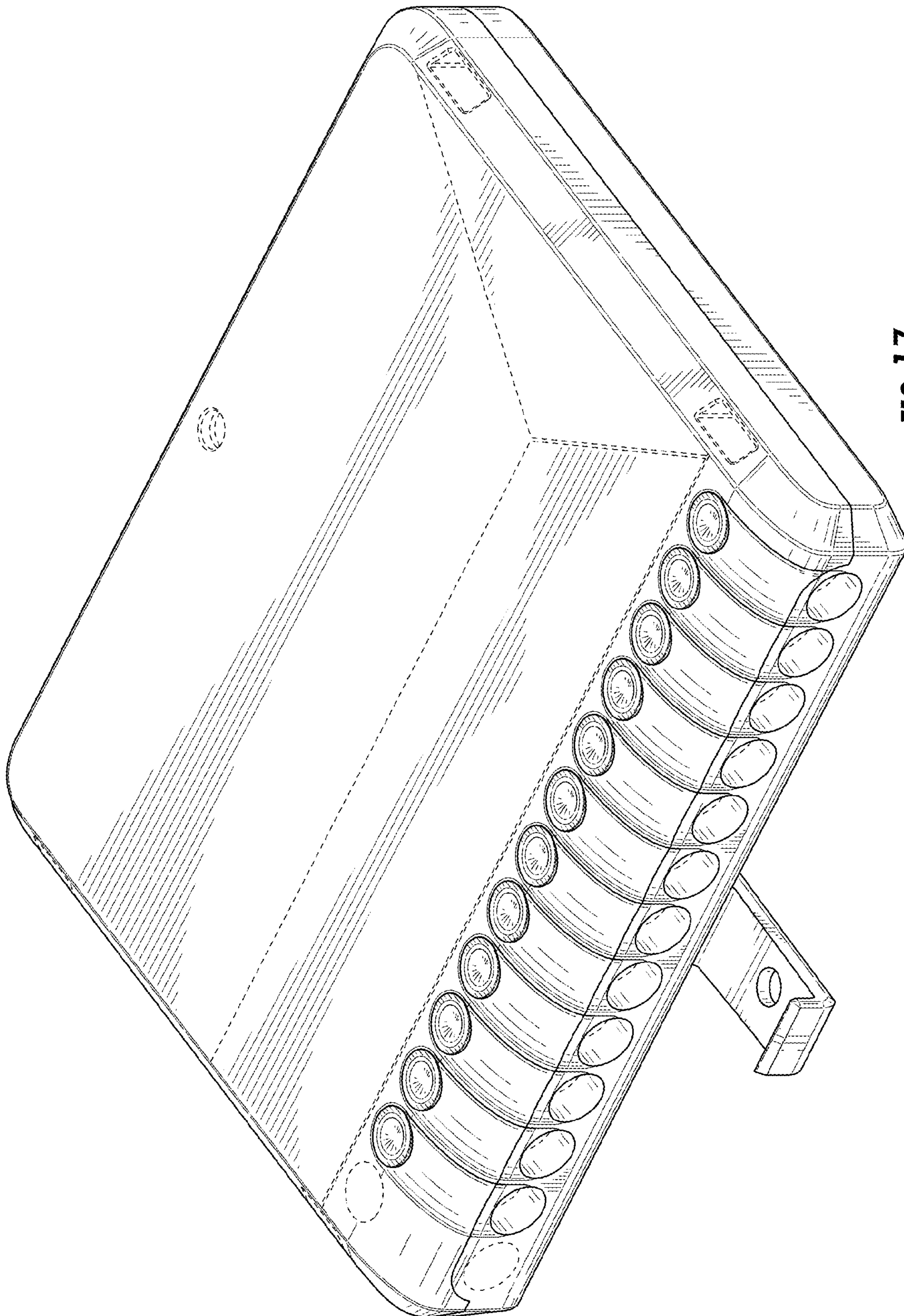


FIG. 17

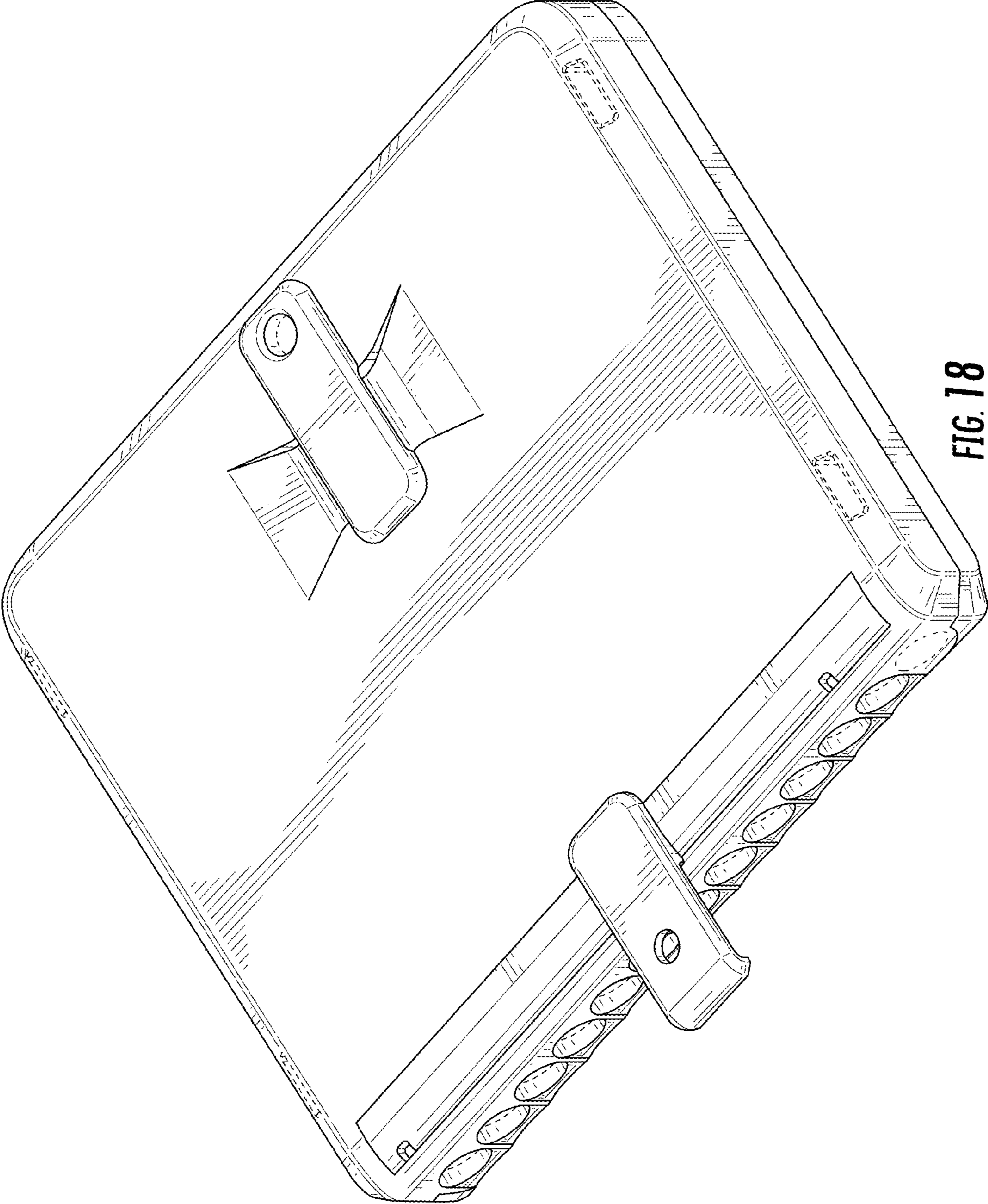


FIG. 18

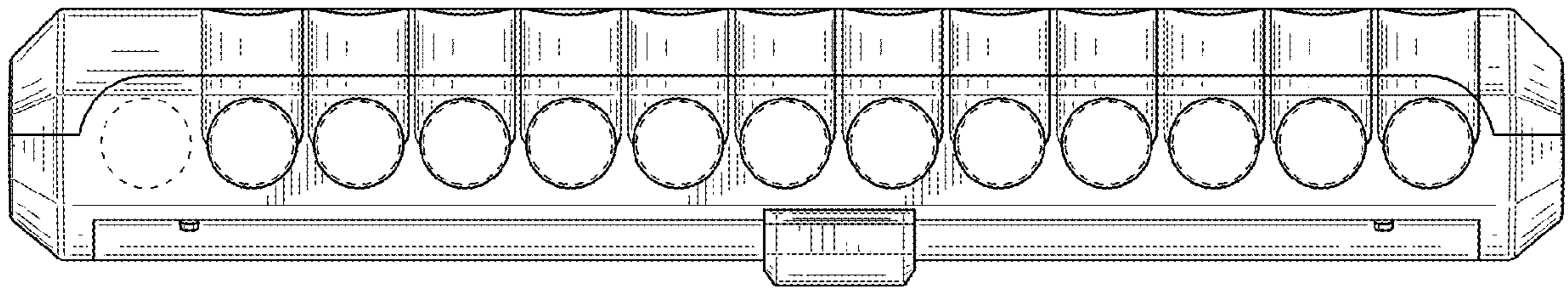


FIG. 19

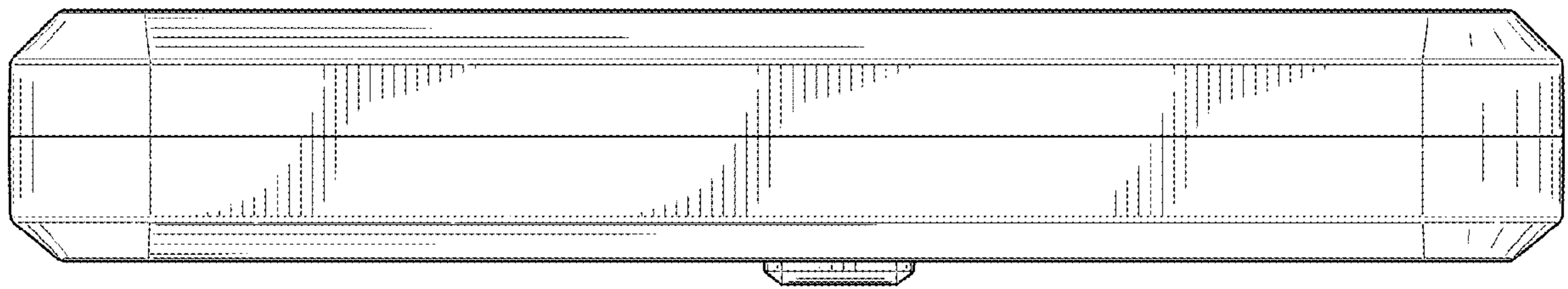


FIG. 20

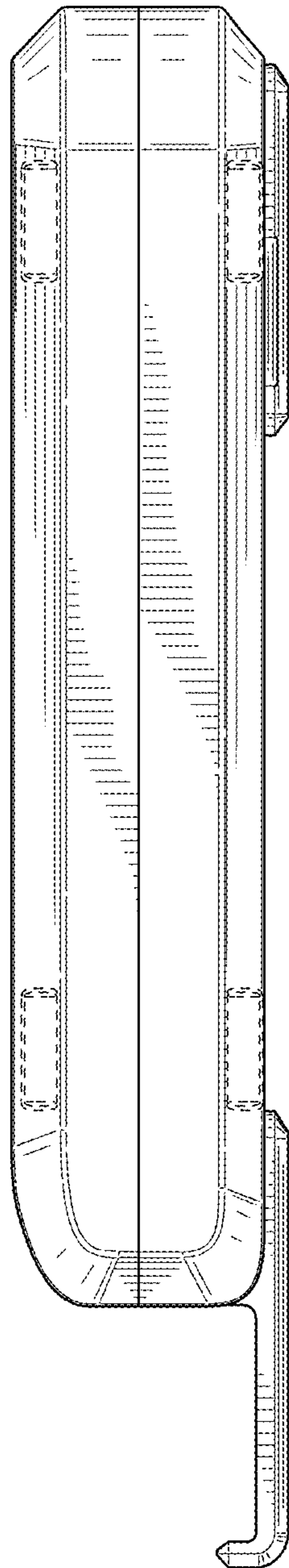


FIG. 21

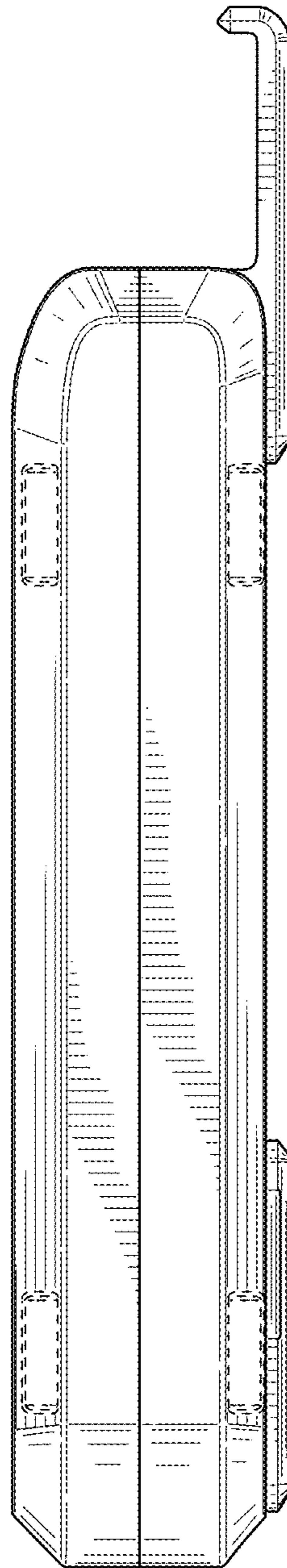
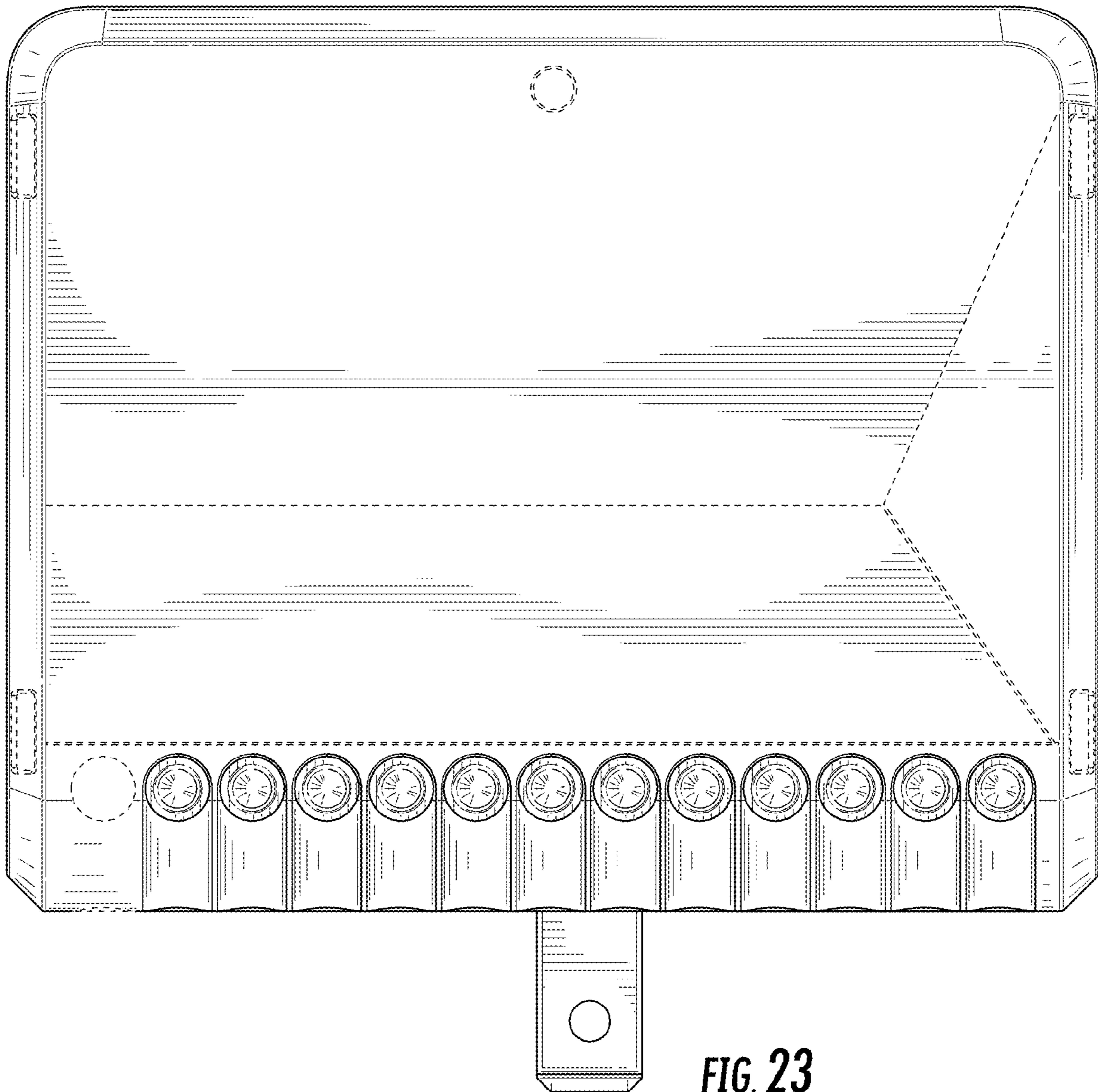


FIG. 22



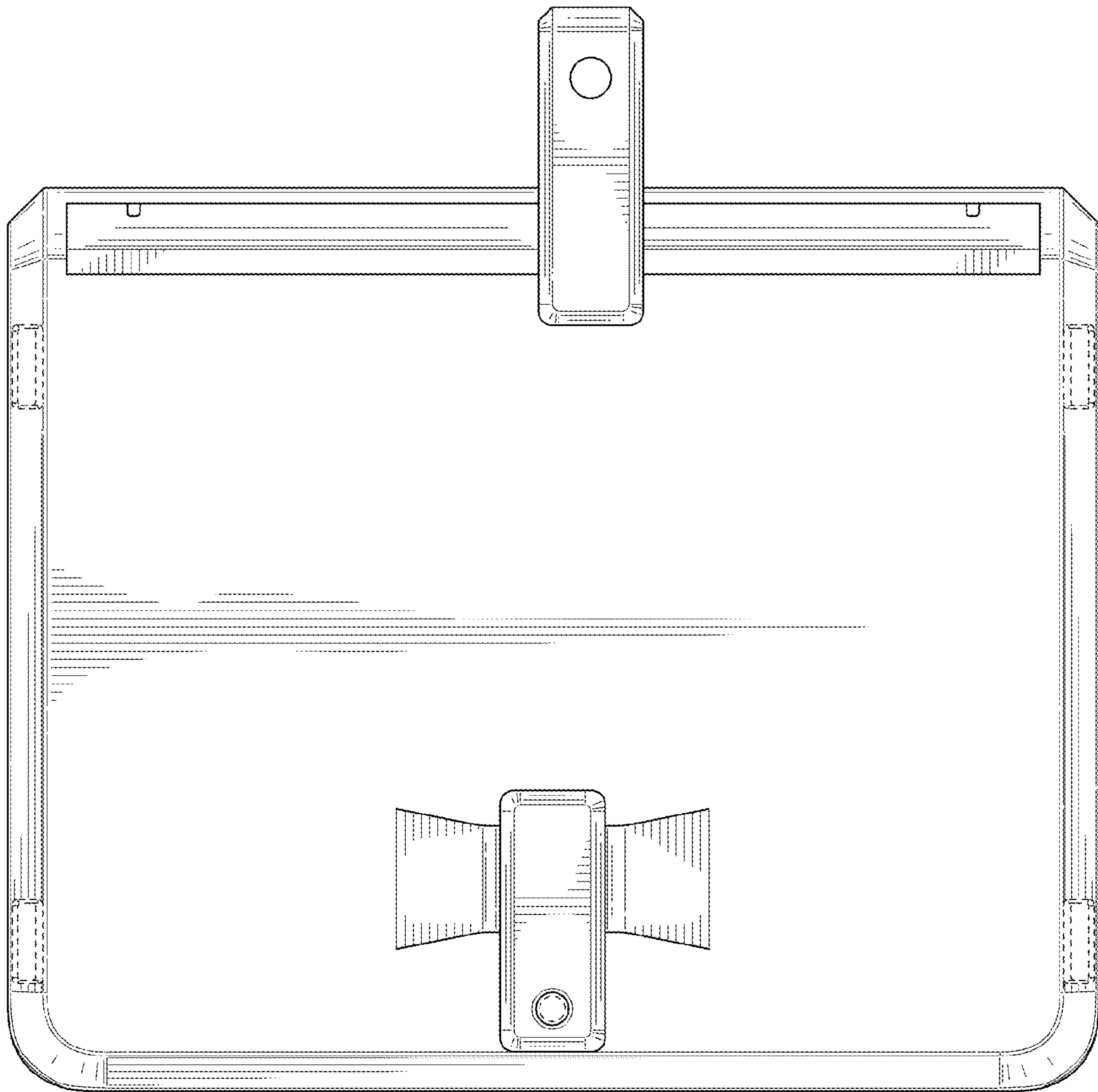


FIG. 24

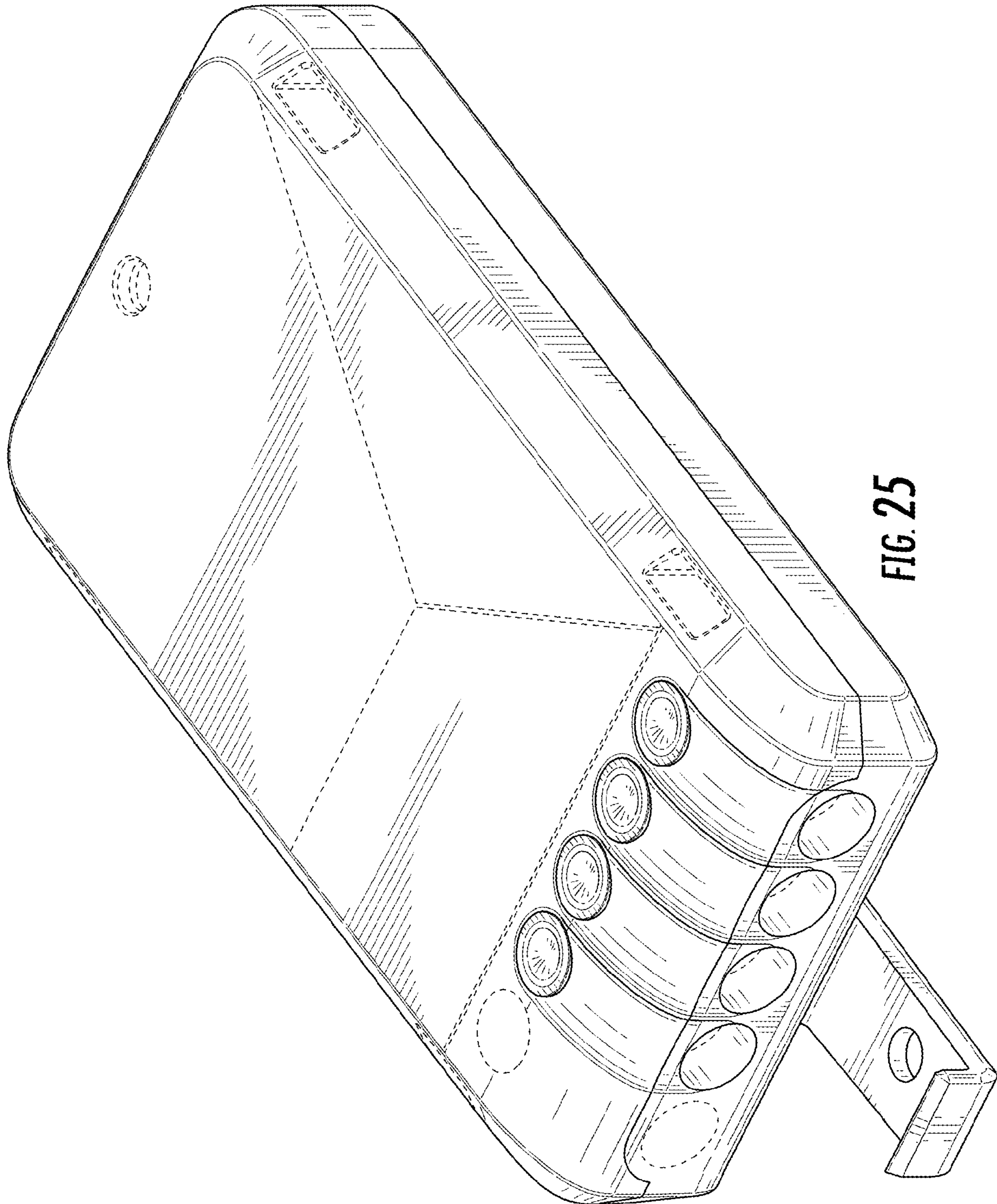


FIG. 25

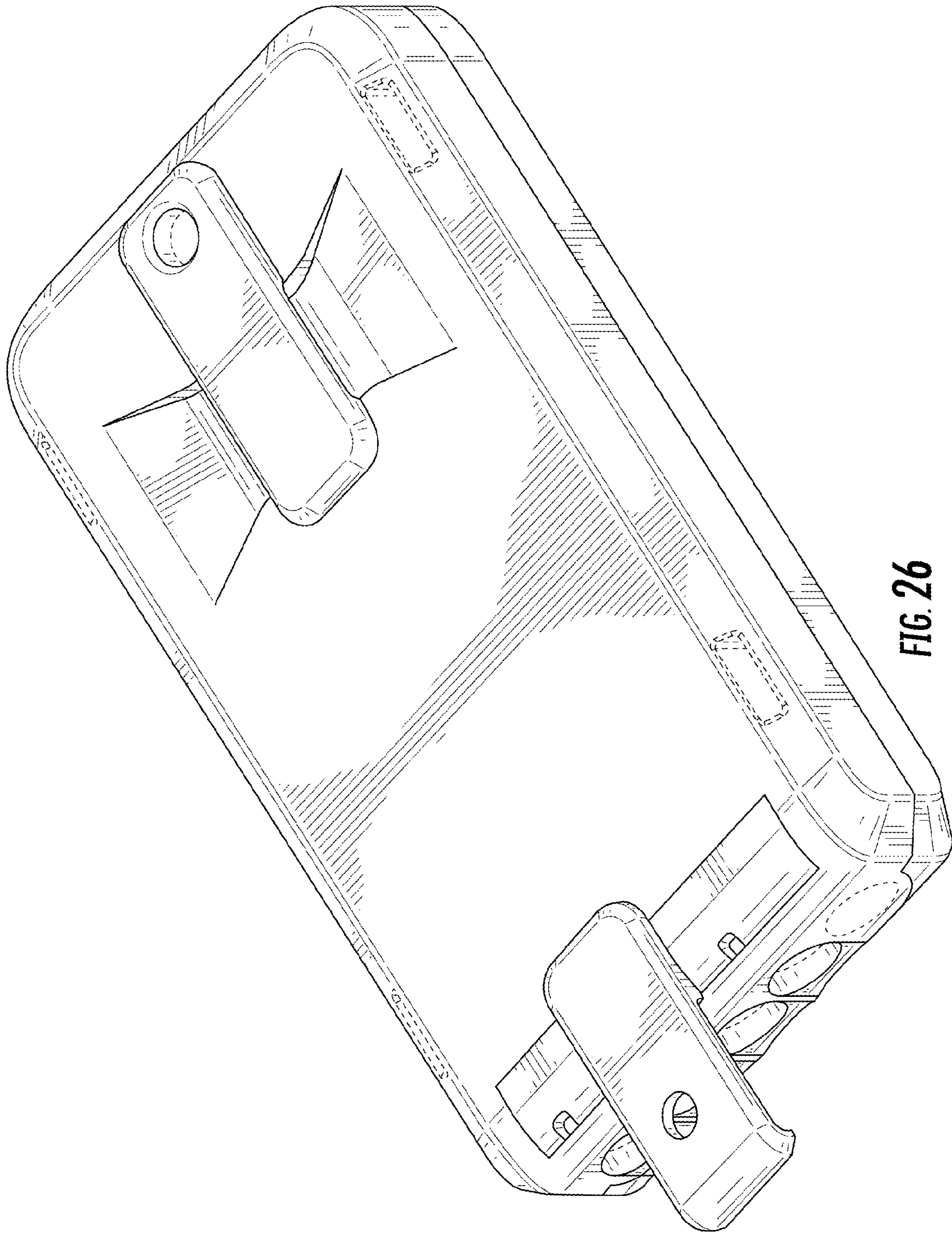


FIG. 26

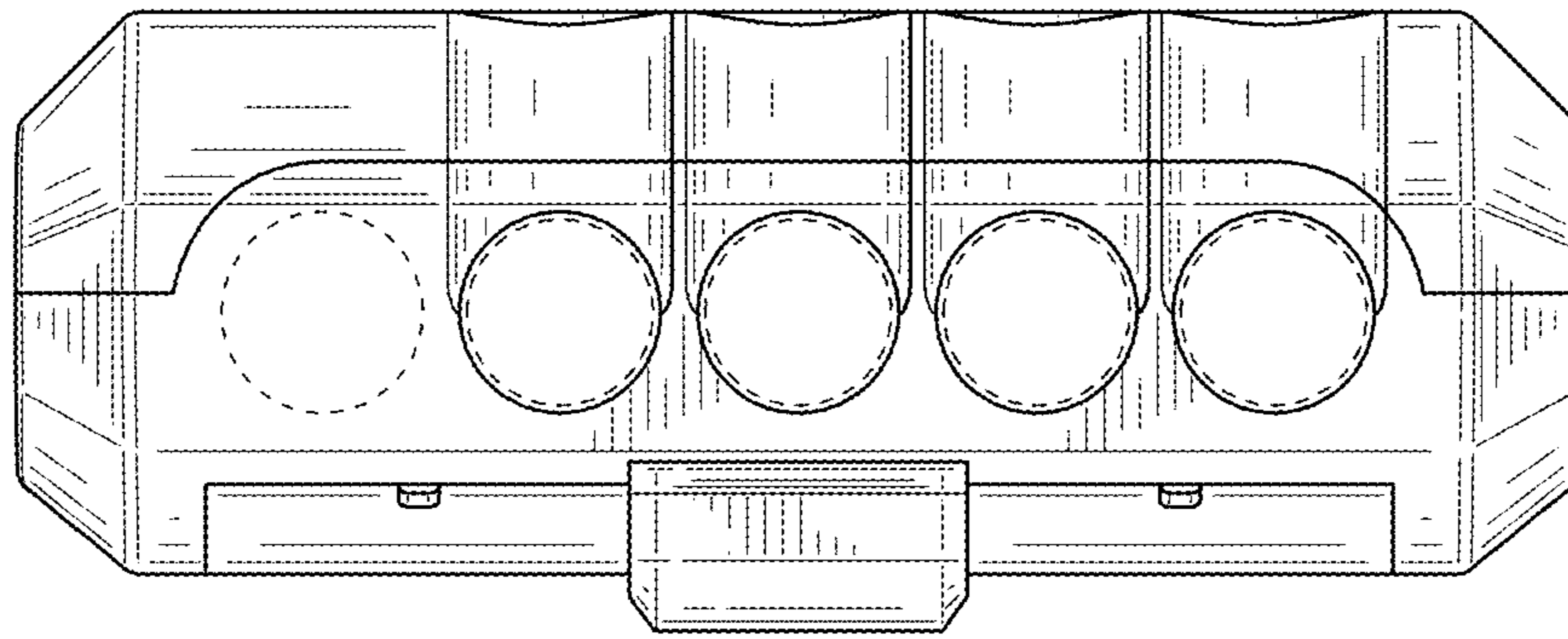


FIG. 27

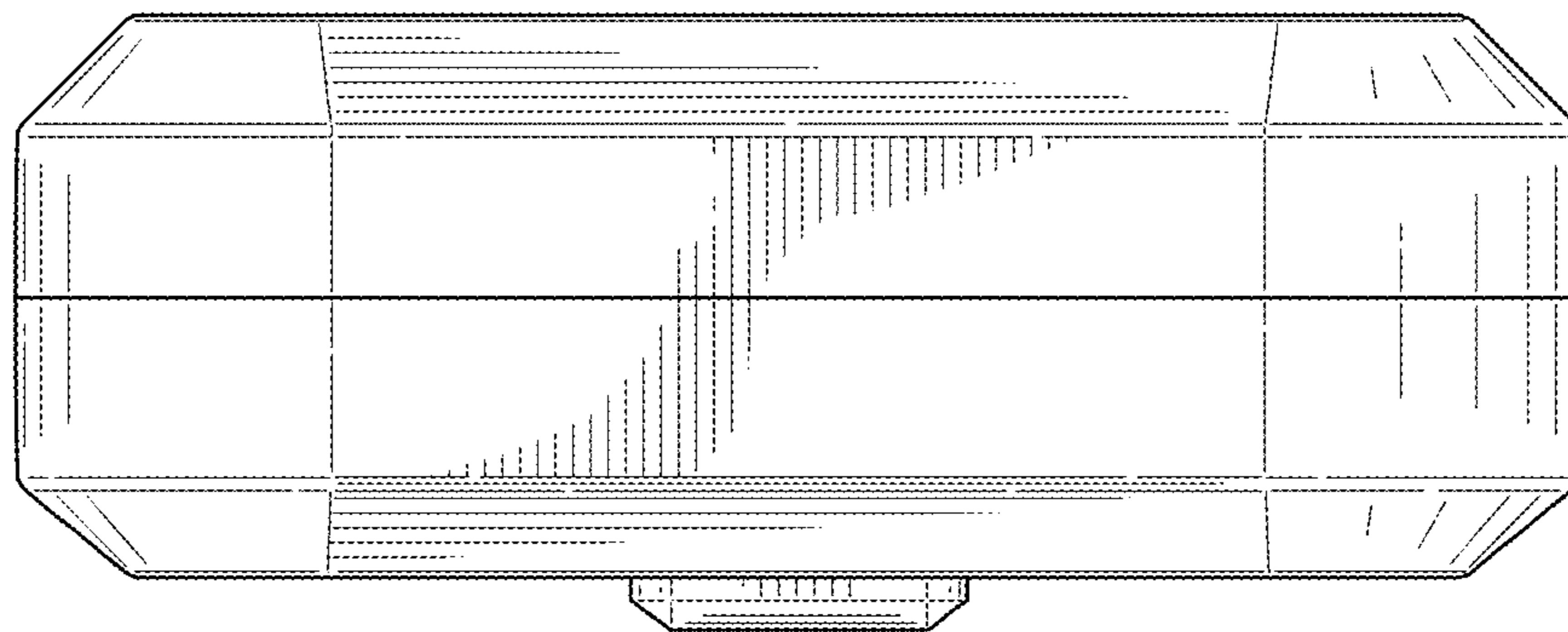


FIG. 28

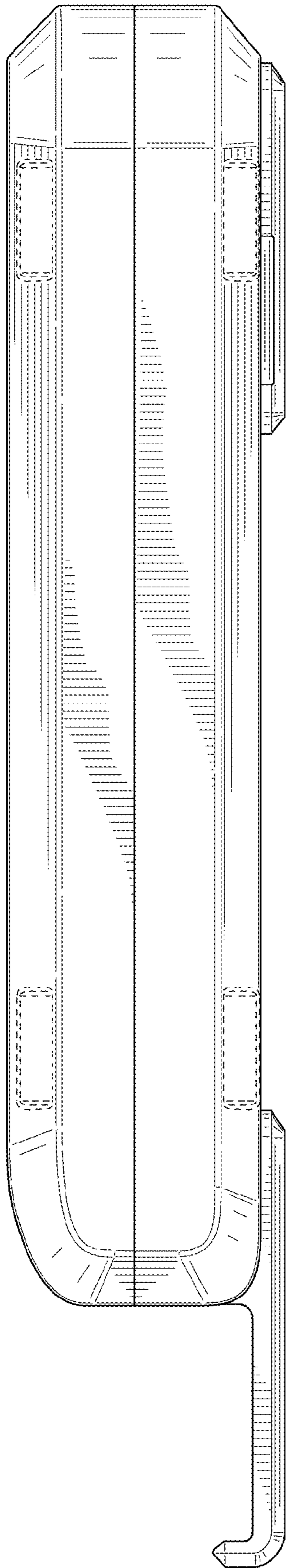


FIG. 29

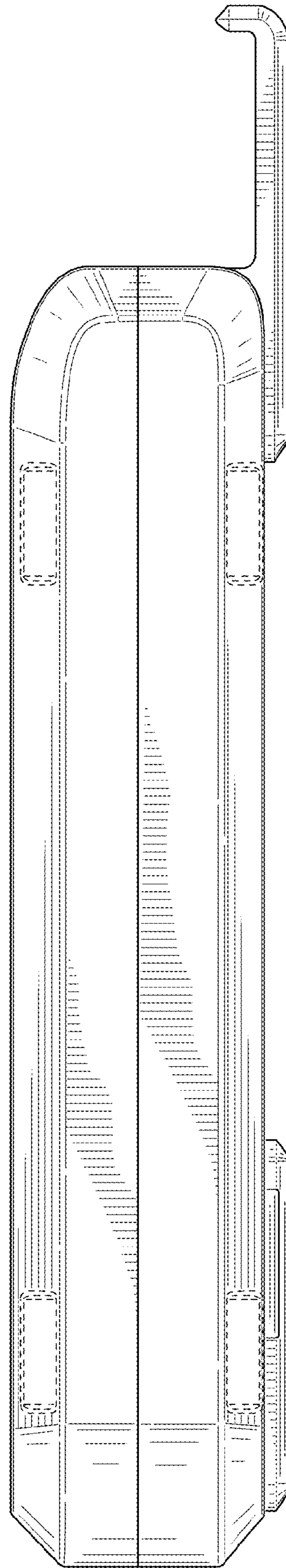


FIG. 30

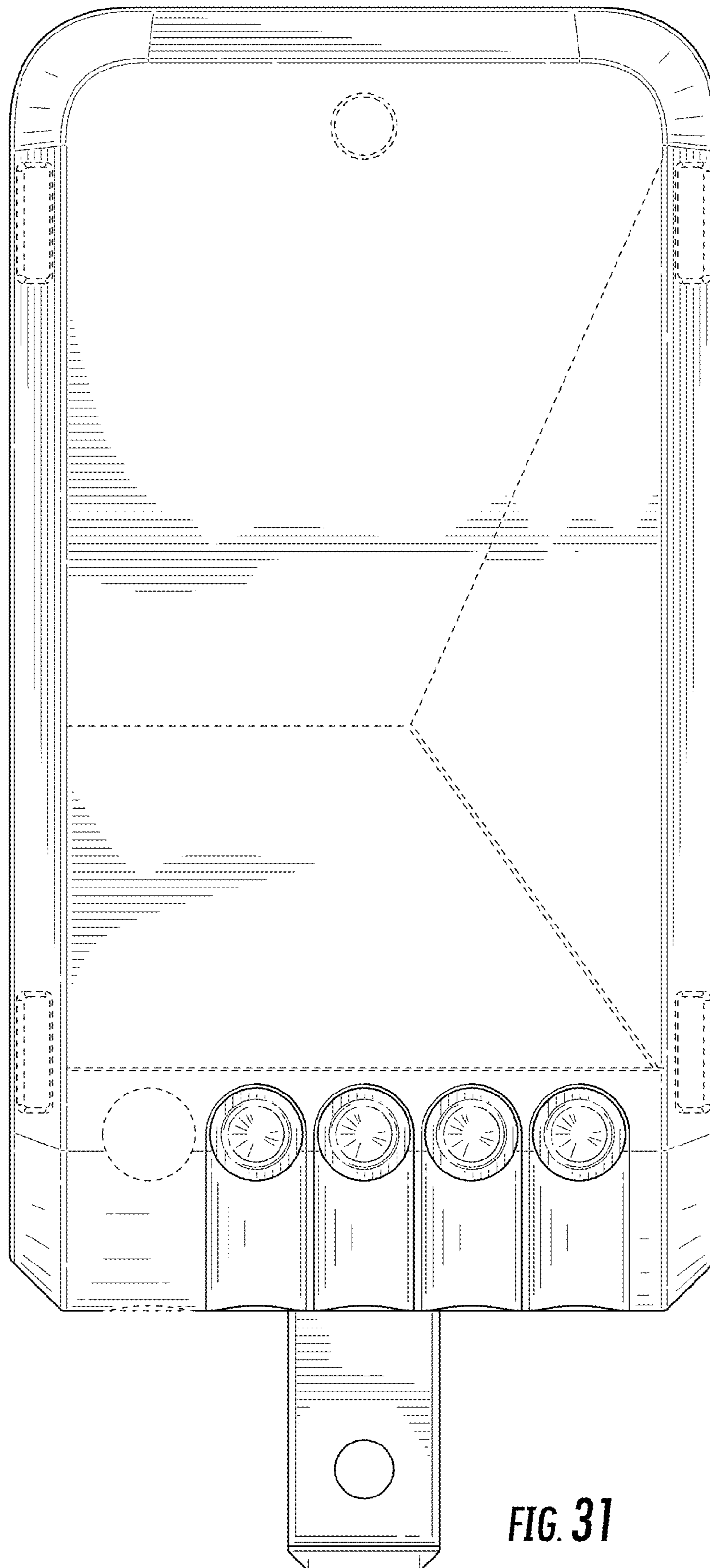


FIG. 31

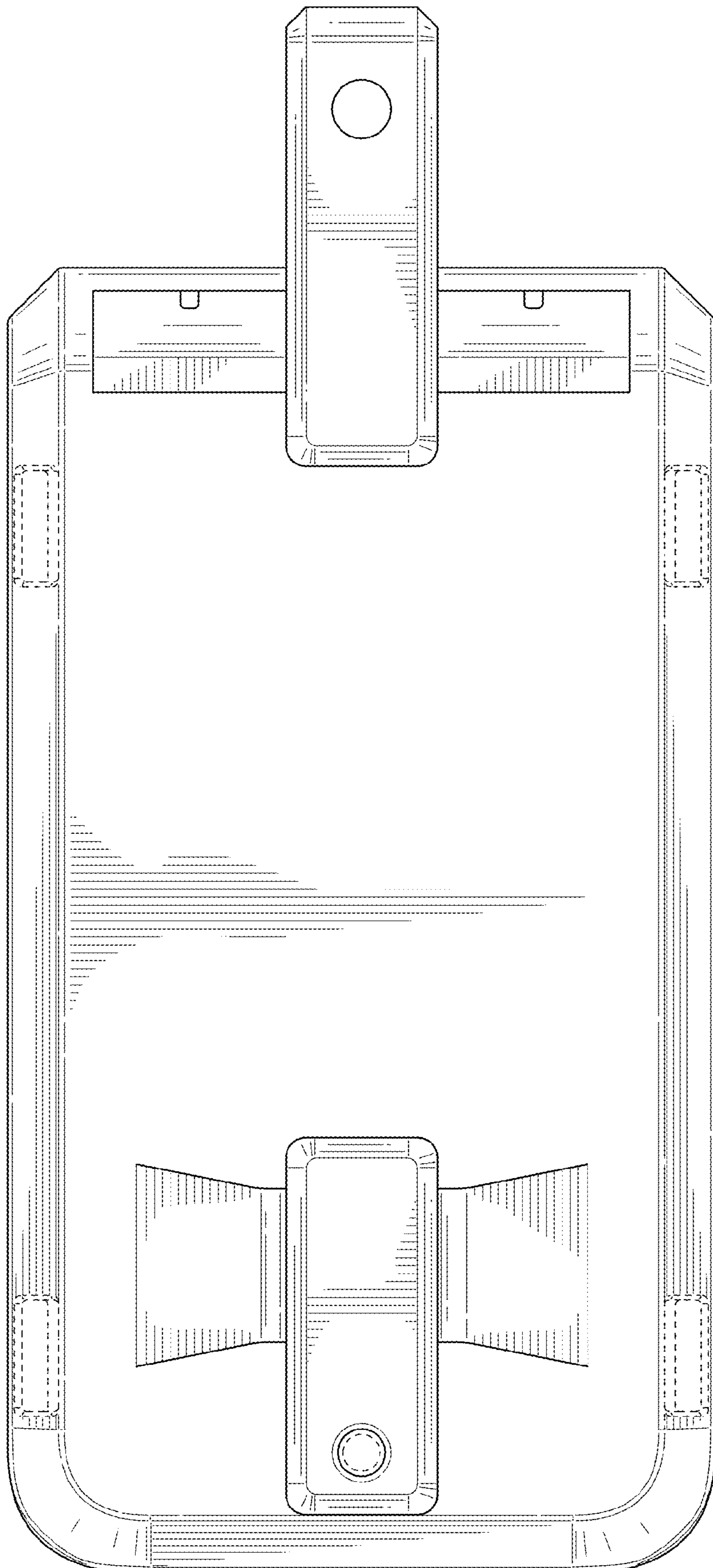


FIG. 32

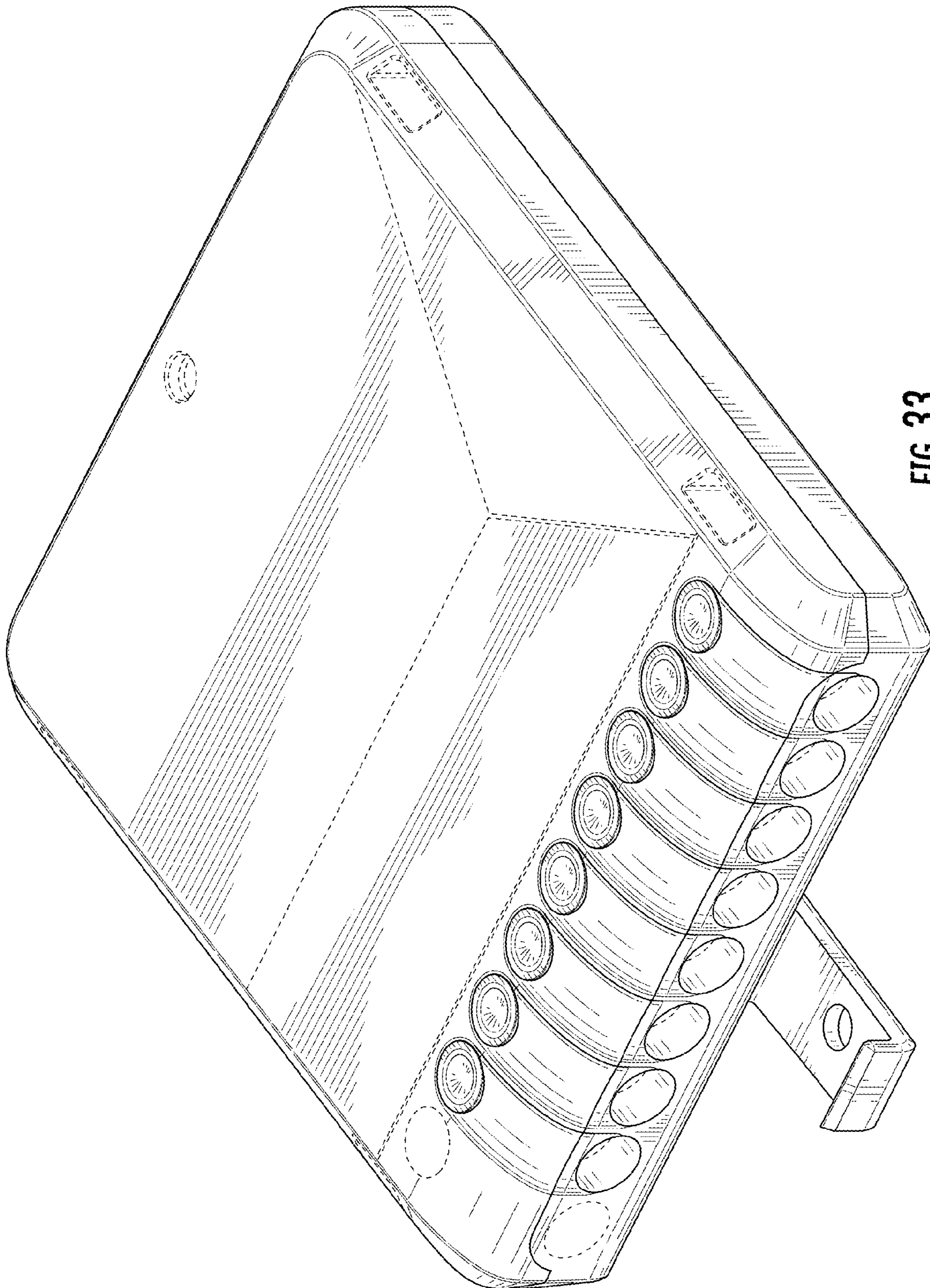


FIG. 33

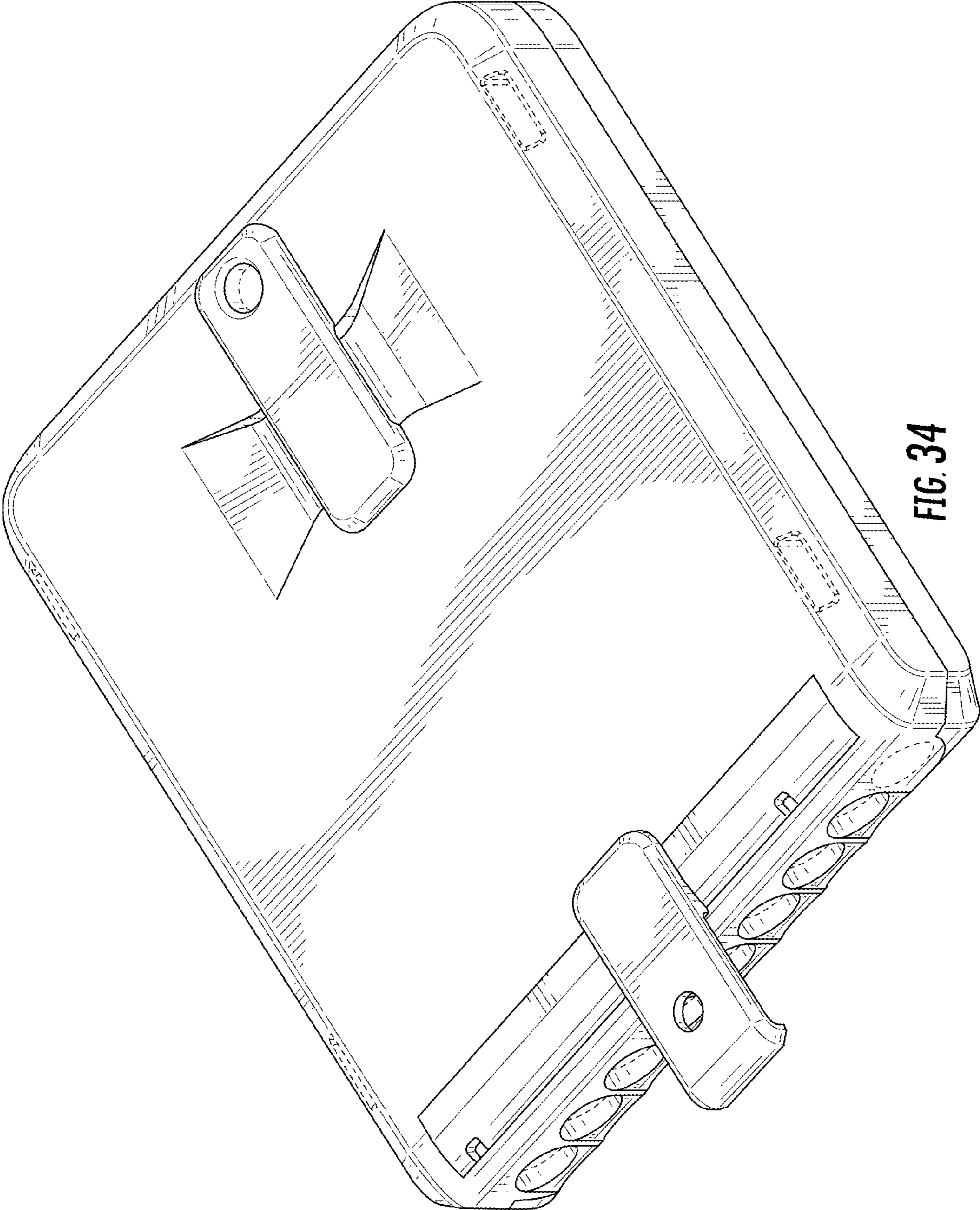


FIG. 34

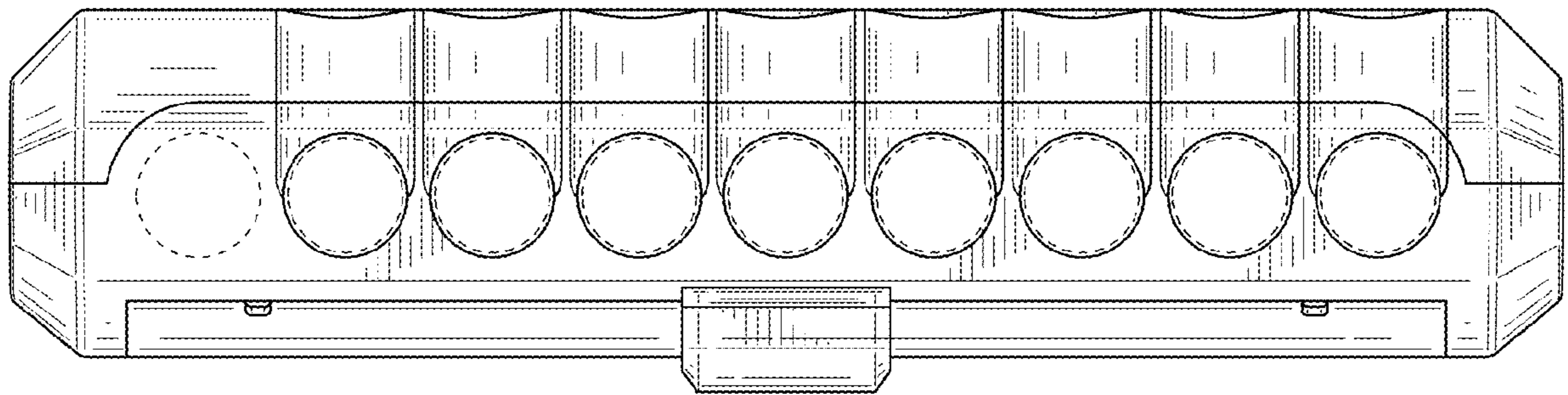


FIG. 35

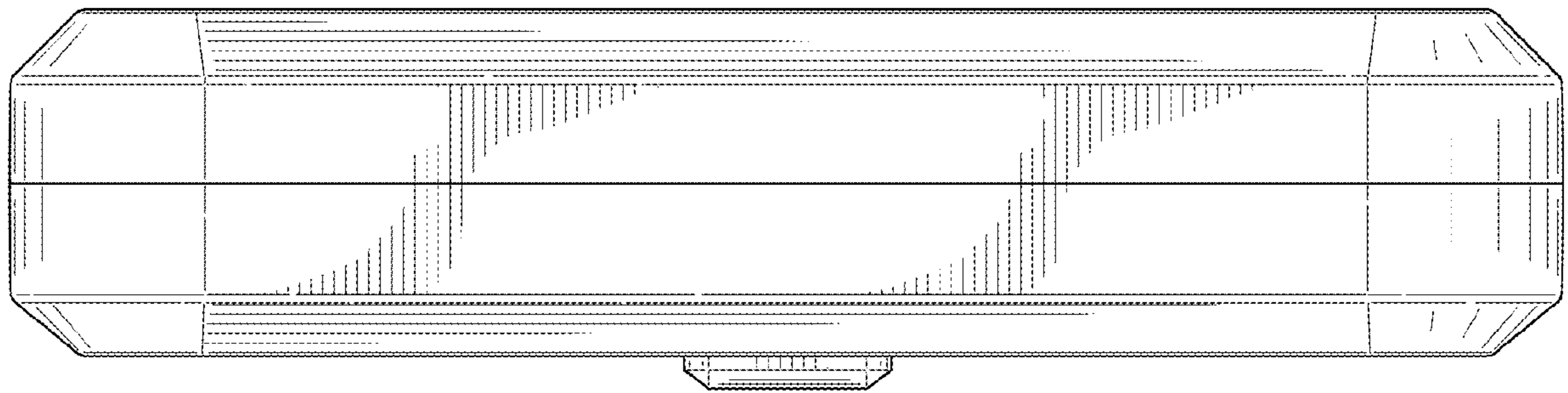


FIG. 36

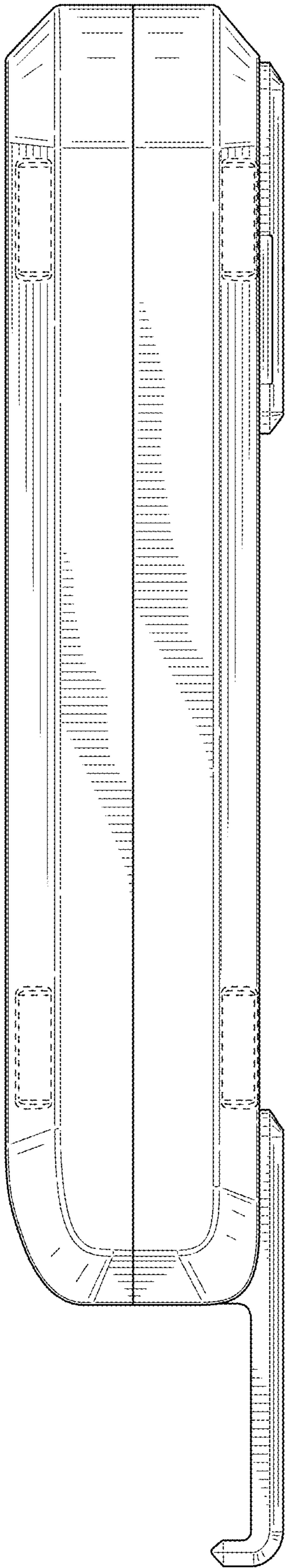


FIG. 37

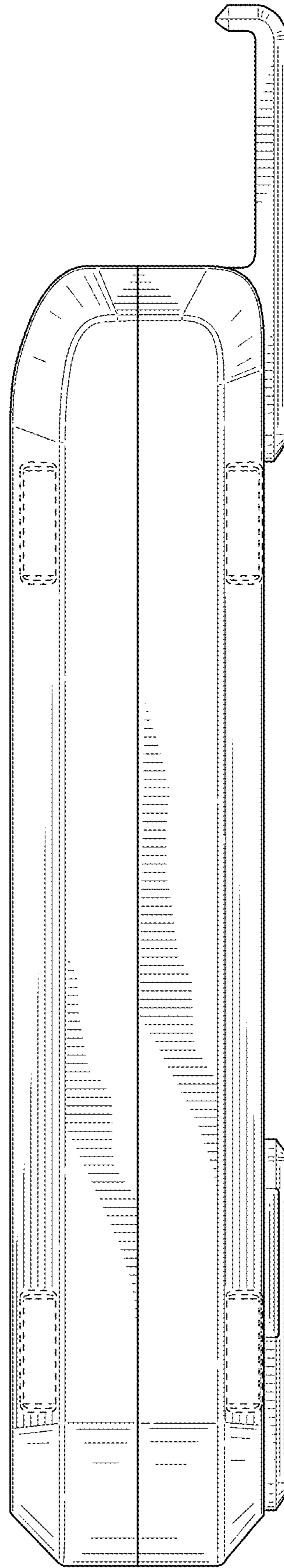


FIG. 38

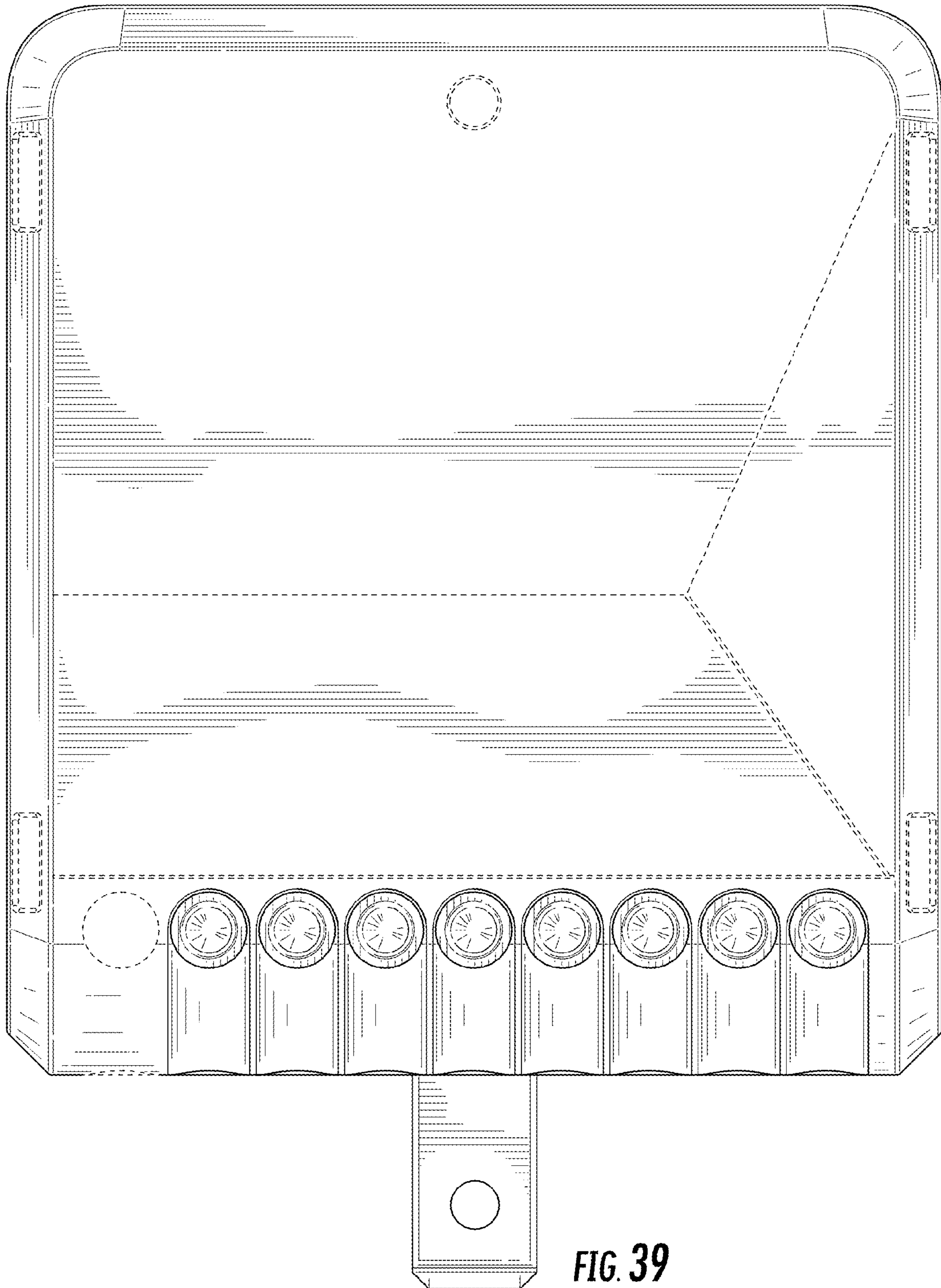


FIG. 39

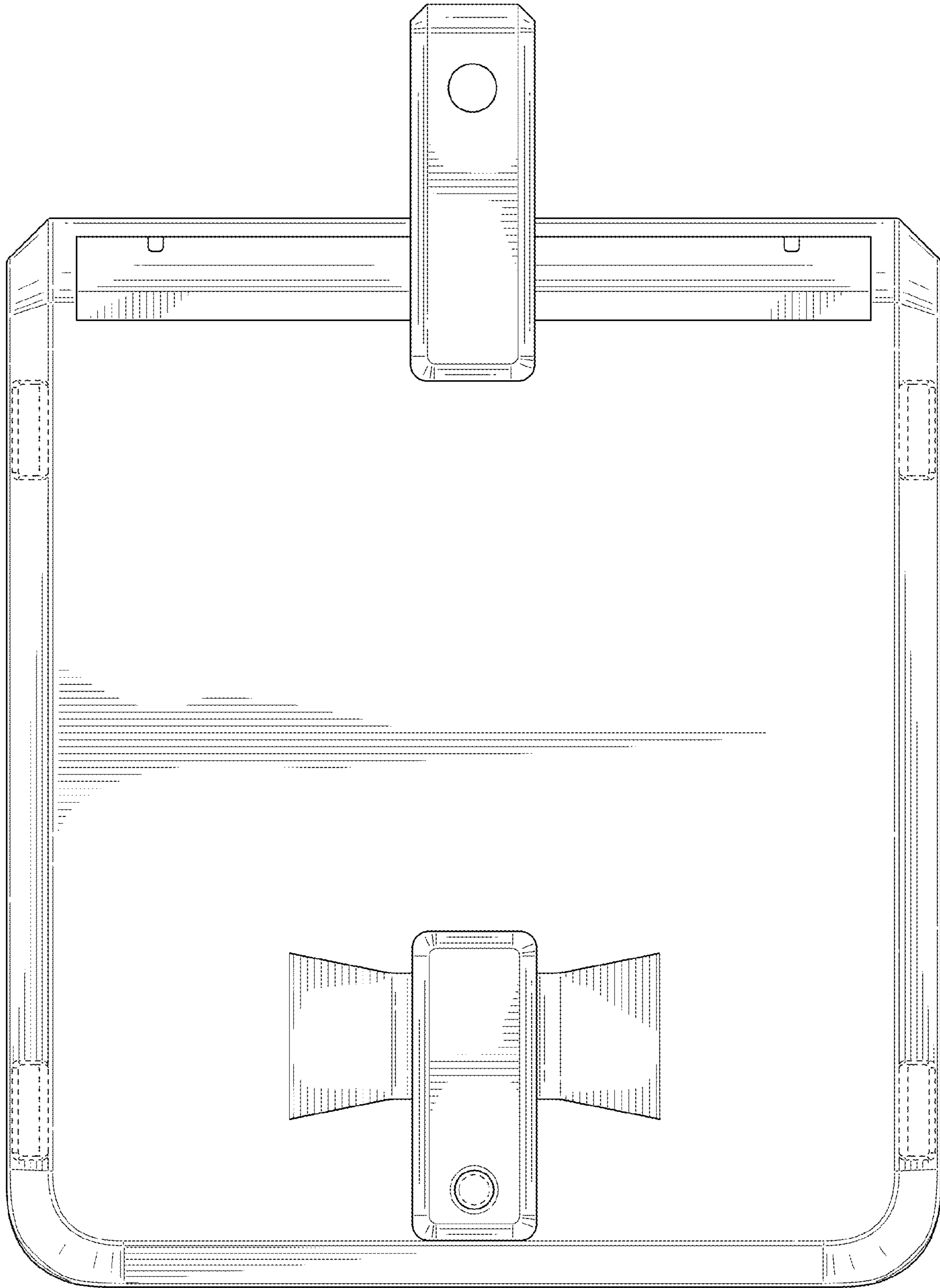


FIG. 40

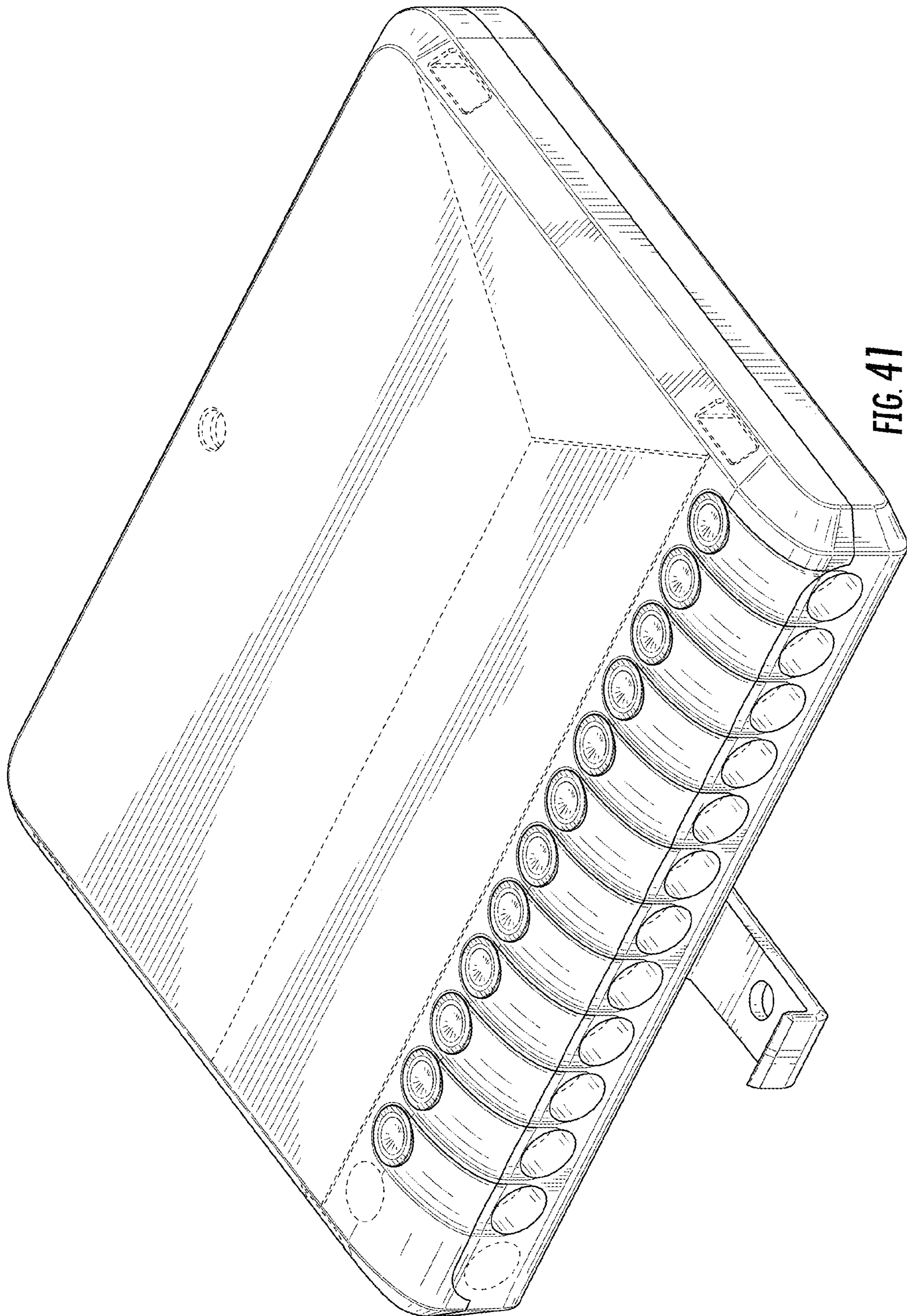
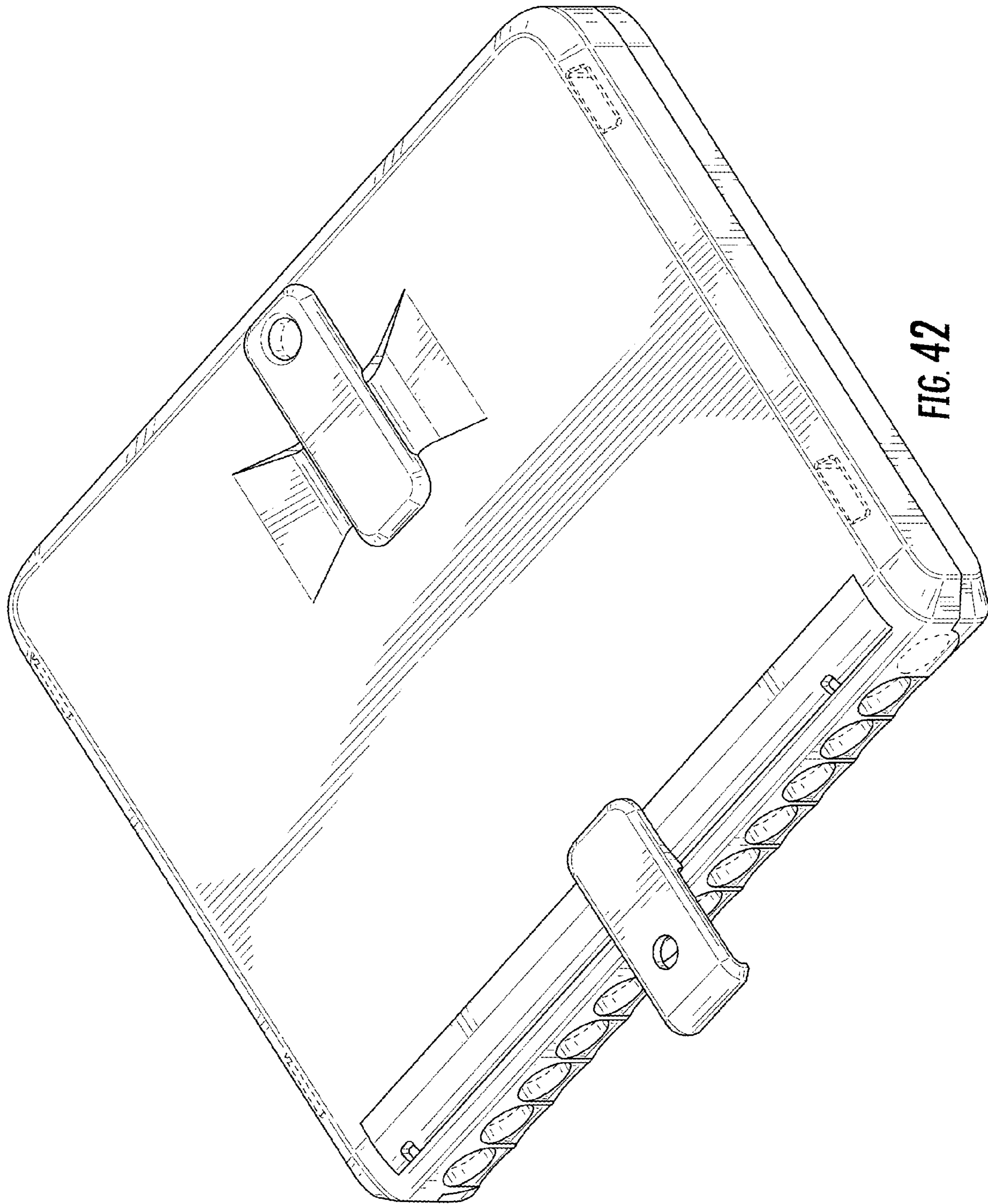


FIG. 41



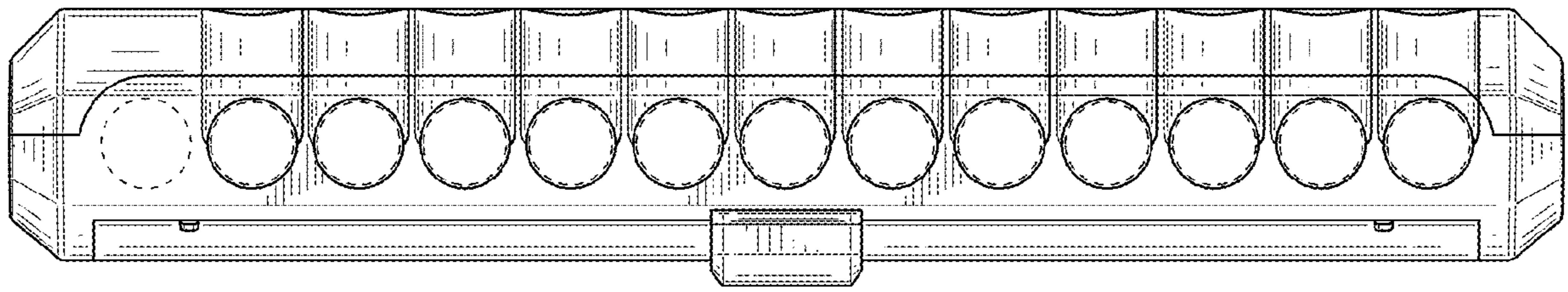


FIG. 43

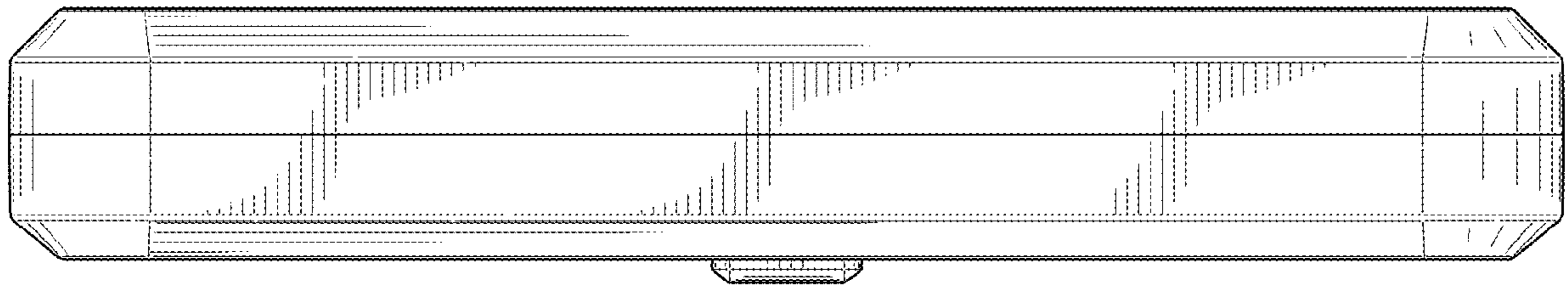


FIG. 44

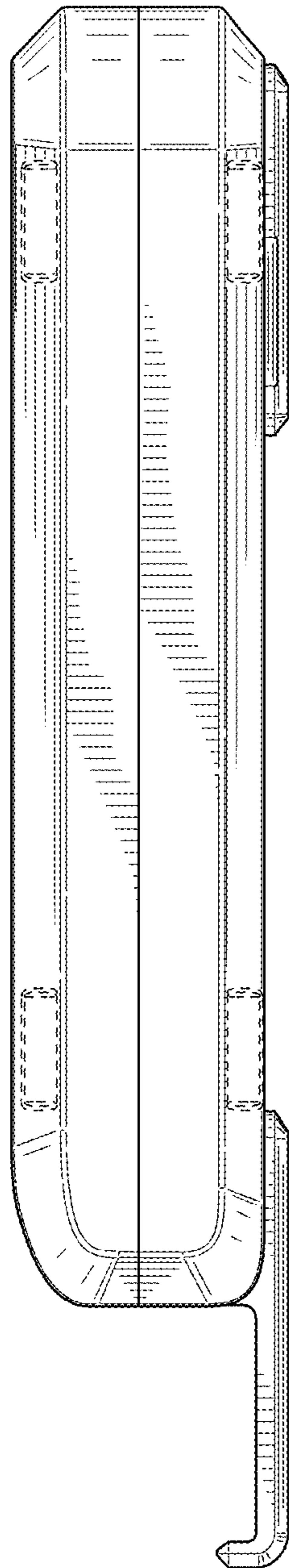


FIG. 45

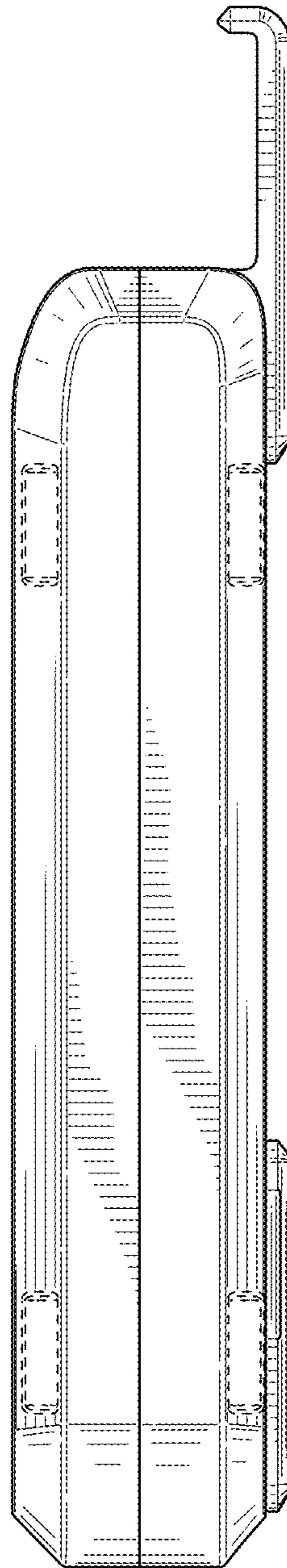
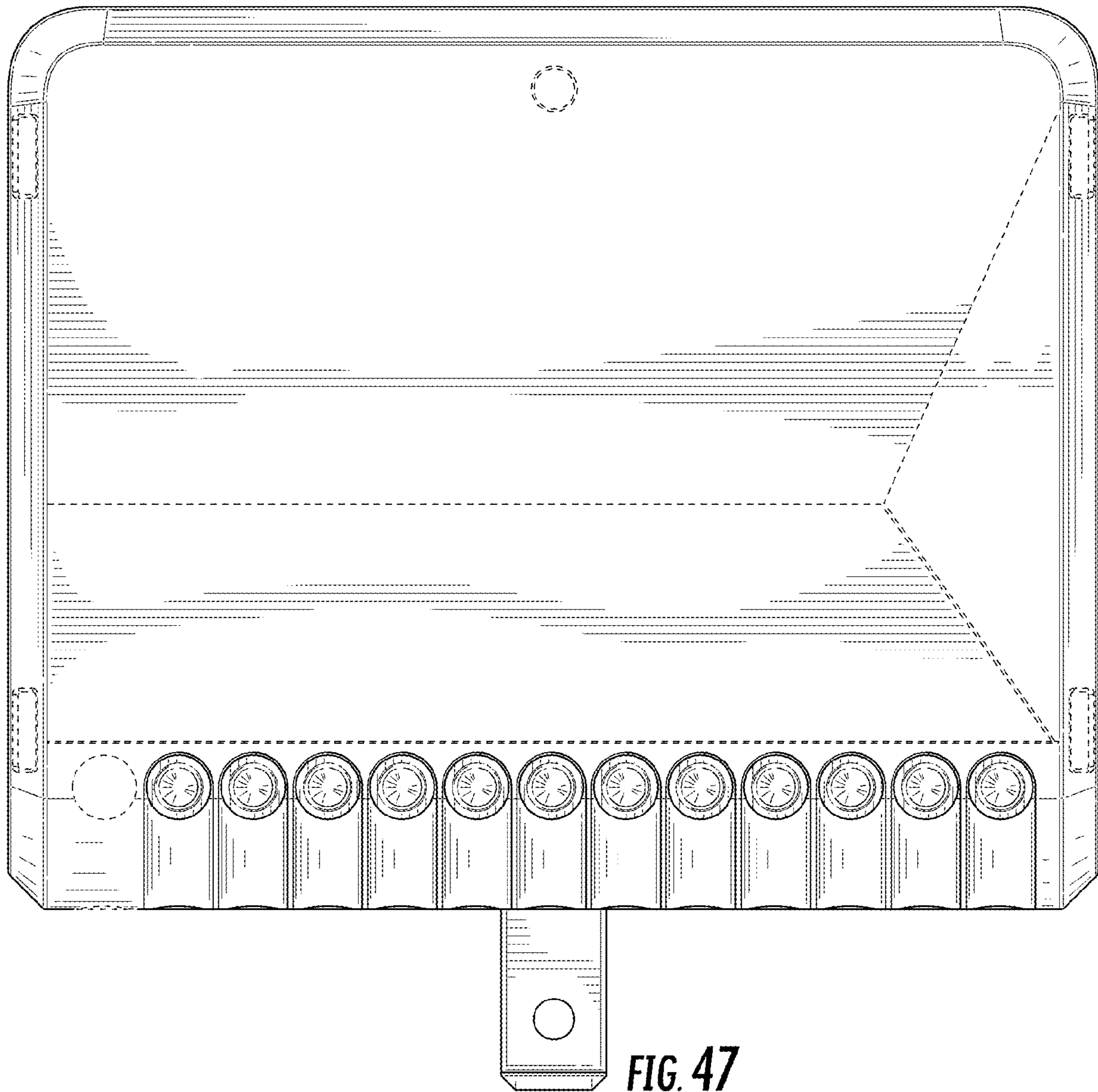


FIG. 46



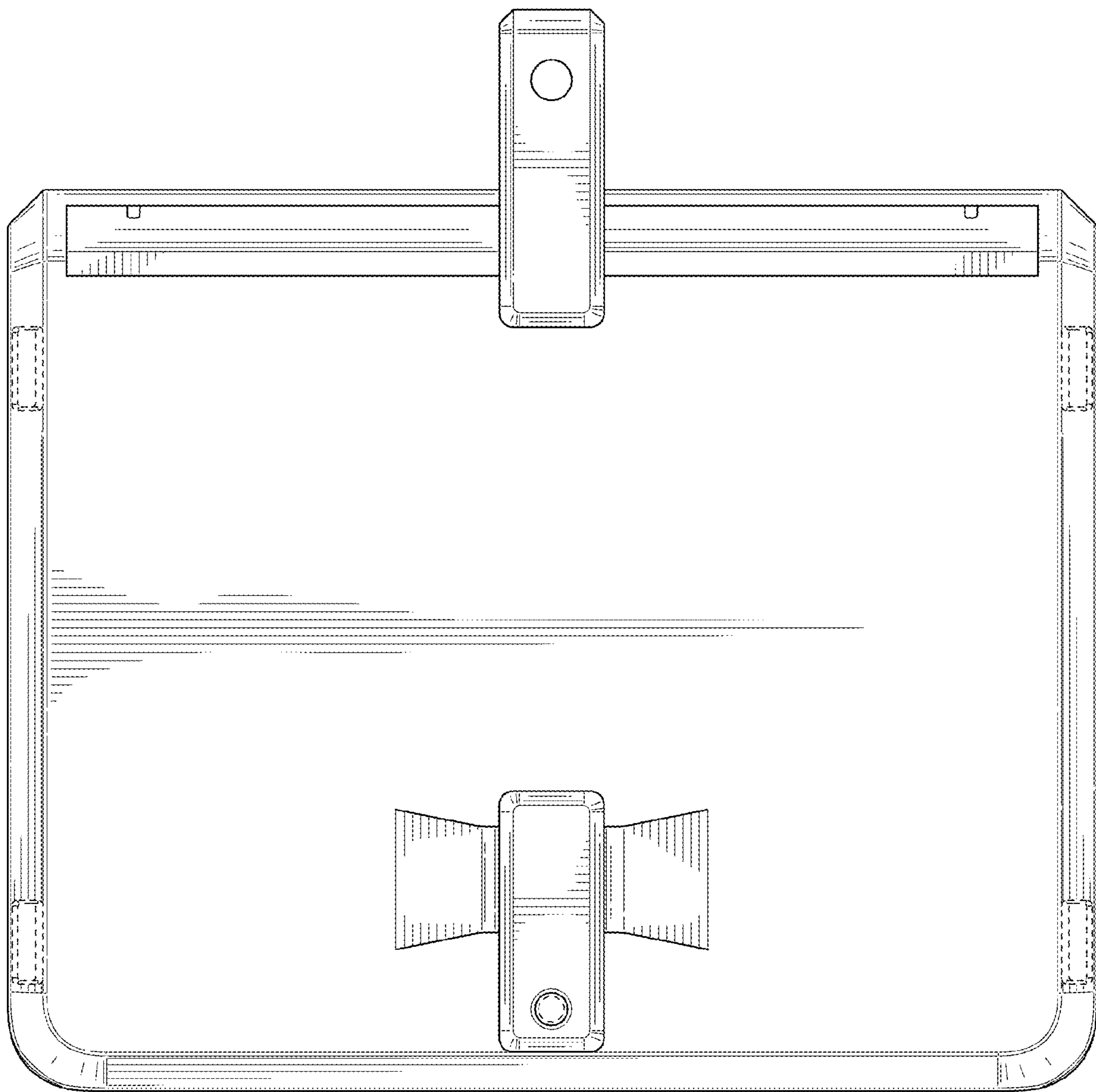


FIG. 48