



US00D888058S

(12) **United States Design Patent**
Ding et al.

(10) **Patent No.:** **US D888,058 S**
(45) **Date of Patent:** **** Jun. 23, 2020**

(54) **UNIVERSAL SMART STYLUS PEN**

Primary Examiner — Austin Murphy

(71) Applicant: **SHANGHAI XSTAR TECHNOLOGY CO., LTD.**, Shanghai (CN)

(57) **CLAIM**

The ornamental design for a universal smart stylus pen, as shown and described.

(72) Inventors: **Jun Ding**, Shanghai (CN); **Andy Wang**, Shanghai (CN); **Tao Cheng**, Shanghai (CN); **Julia Zhu**, Shanghai (CN)

DESCRIPTION

FIG. 1 is a perspective view of a first design for a universal smart stylus pen with an example removable, mating electronic device separated therefrom;

FIG. 2 is a right side view of the first design for the universal smart stylus pen of FIG. 1;

FIG. 3 is a front view of the first design for the universal smart stylus pen of FIGS. 1-2;

FIG. 4 is a left side view of the first design for the universal smart stylus pen of FIGS. 1-3;

FIG. 5 is a rear view of the first design for the universal smart stylus pen of FIGS. 1-4;

FIG. 6 is a top view of the first design for the universal smart stylus pen of FIGS. 1-5;

FIG. 7 is a bottom view of the first design for the universal smart stylus pen of FIGS. 1-6;

FIG. 8 is a perspective view of a second design for a universal smart stylus pen with an example removable, mating electronic device separated therefrom;

FIG. 9 is a front view of the second design for the universal smart stylus pen of FIG. 8 including an enlarged view of a portion of the second design; and,

FIG. 10 is a top view of the second design for the universal smart stylus pen of FIGS. 8-9.

The features shown in broken lines depict environmental structure only and form no part of the claimed design.

FIGS. 1-5 and 8-9 present break lines, in the form of parallel wavy lines or S-breaks, along a length of the first design for the universal smart stylus pen and the second design for the universal smart stylus pen to represent that a length of these designs may be variable. The appearance of any portion of the first design for the universal smart stylus pen and the second design for the universal smart stylus pen between the break lines forms no part of the claimed design.

(73) Assignee: **SHANGHAI XSTAR TECHNOLOGY CO., LTD.**, Shanghai (CN)

(**) Term: **15 Years**

(21) Appl. No.: **29/637,573**

(22) Filed: **Feb. 20, 2018**

(30) **Foreign Application Priority Data**

Aug. 21, 2017 (CN) 2017 3 0385847

(51) **LOC (12) Cl.** **14-02**

(52) **U.S. Cl.**
USPC **D14/411**

(58) **Field of Classification Search**
USPC D14/402-411, 356, 388, 389, 383-385,
D14/417, 426; 345/156-167; 463/36-38;
358/471, 473; 273/148 B

(Continued)

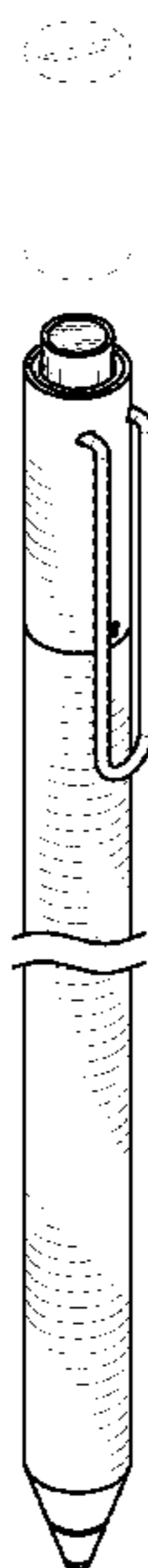
(56) **References Cited**

U.S. PATENT DOCUMENTS

D679,708 S 4/2013 Li
D706,267 S 6/2014 Nakata

(Continued)

1 Claim, 5 Drawing Sheets



(58) **Field of Classification Search**

CPC G06F 3/03543; G06F 2203/0333; G06F
3/039; G06F 3/038; G06F 2203/0384

See application file for complete search history.

(56) **References Cited**

U.S. PATENT DOCUMENTS

D708,616 S *	7/2014	Nakata	D14/411
D708,617 S *	7/2014	Nakata	D14/411
D711,882 S	8/2014	Yeo	
D717,301 S *	11/2014	Groene	D14/411
D768,133 S *	10/2016	Reed	D14/411
D777,726 S *	1/2017	Nishizawa	D14/411
D812,059 S *	3/2018	Lehman	D14/411
D812,060 S *	3/2018	Lehman	D14/411
D848,426 S *	5/2019	Nishizawa	D14/411

* cited by examiner

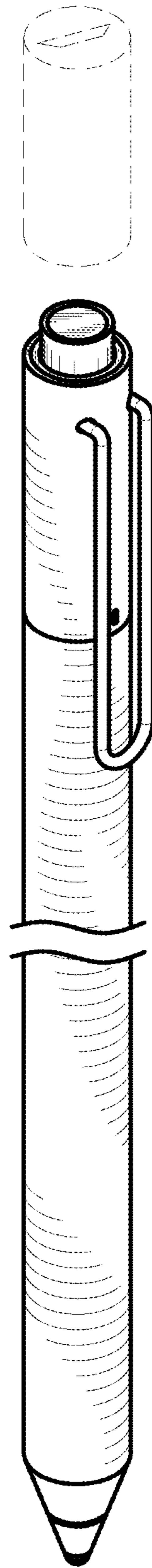


FIG. 1

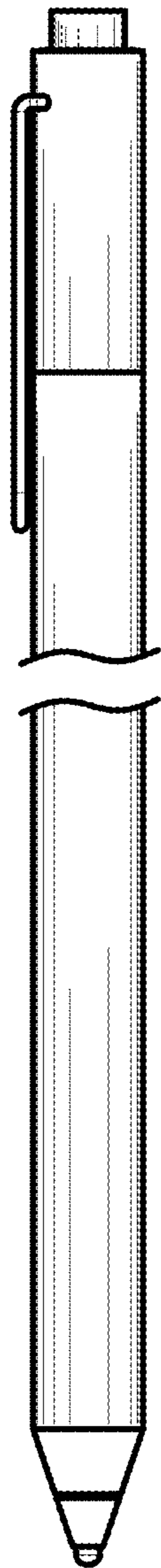


FIG. 2

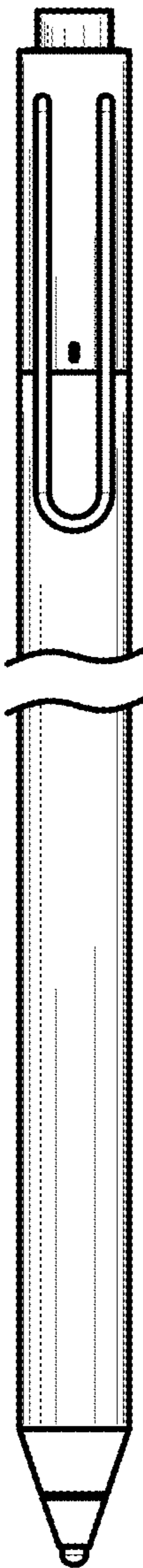


FIG. 3

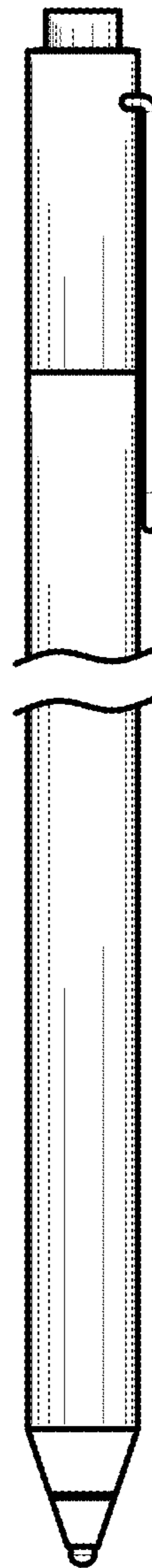


FIG. 4

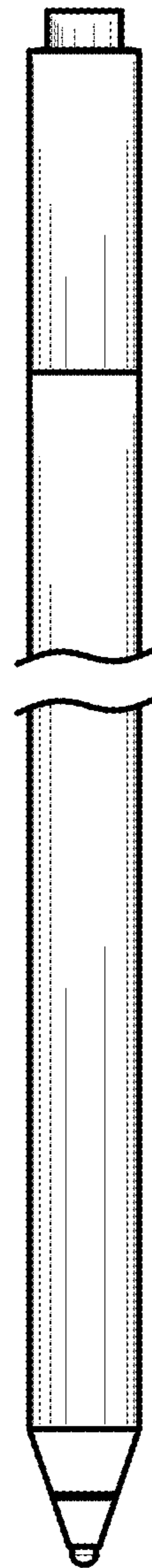


FIG. 5

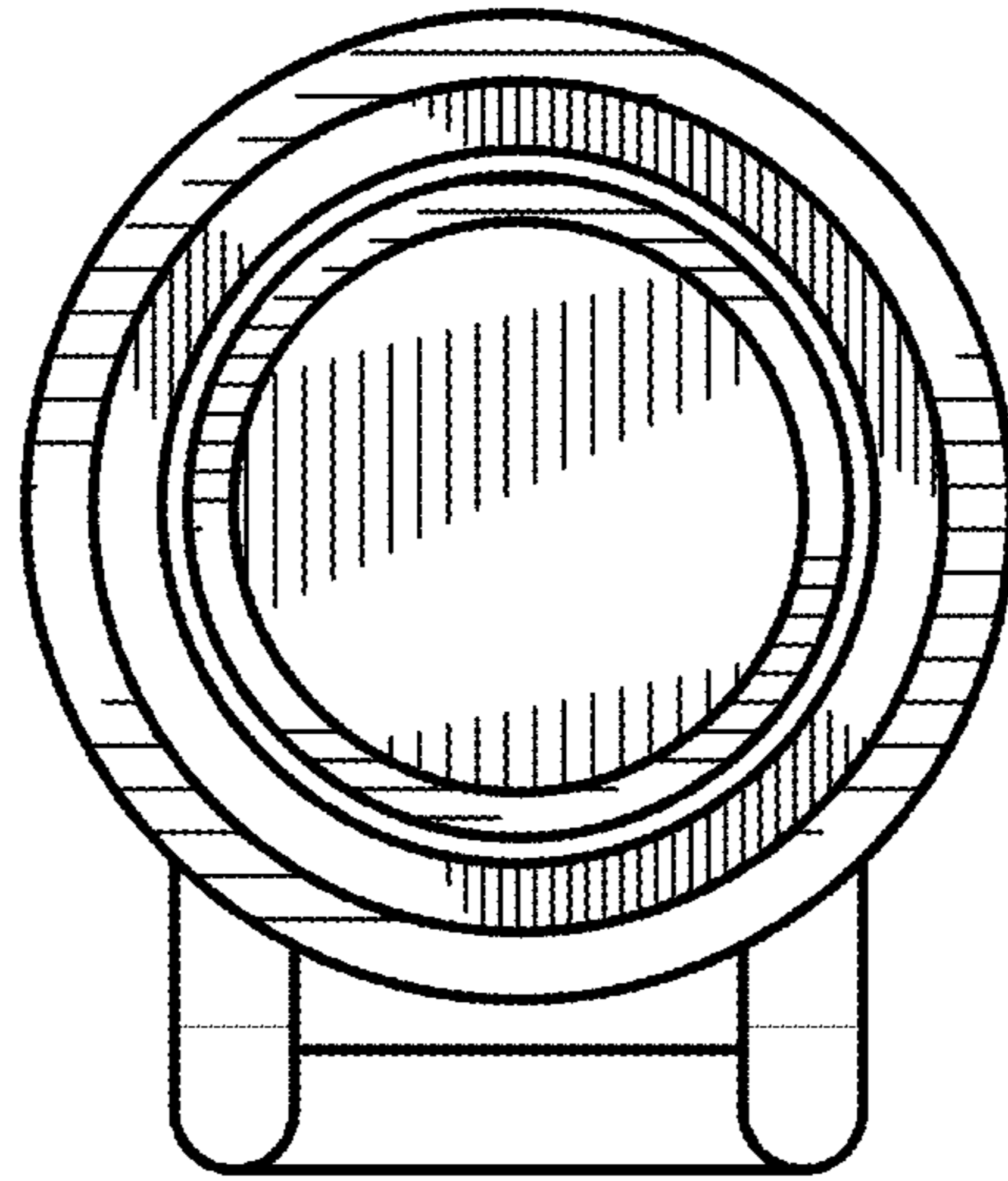


FIG. 6

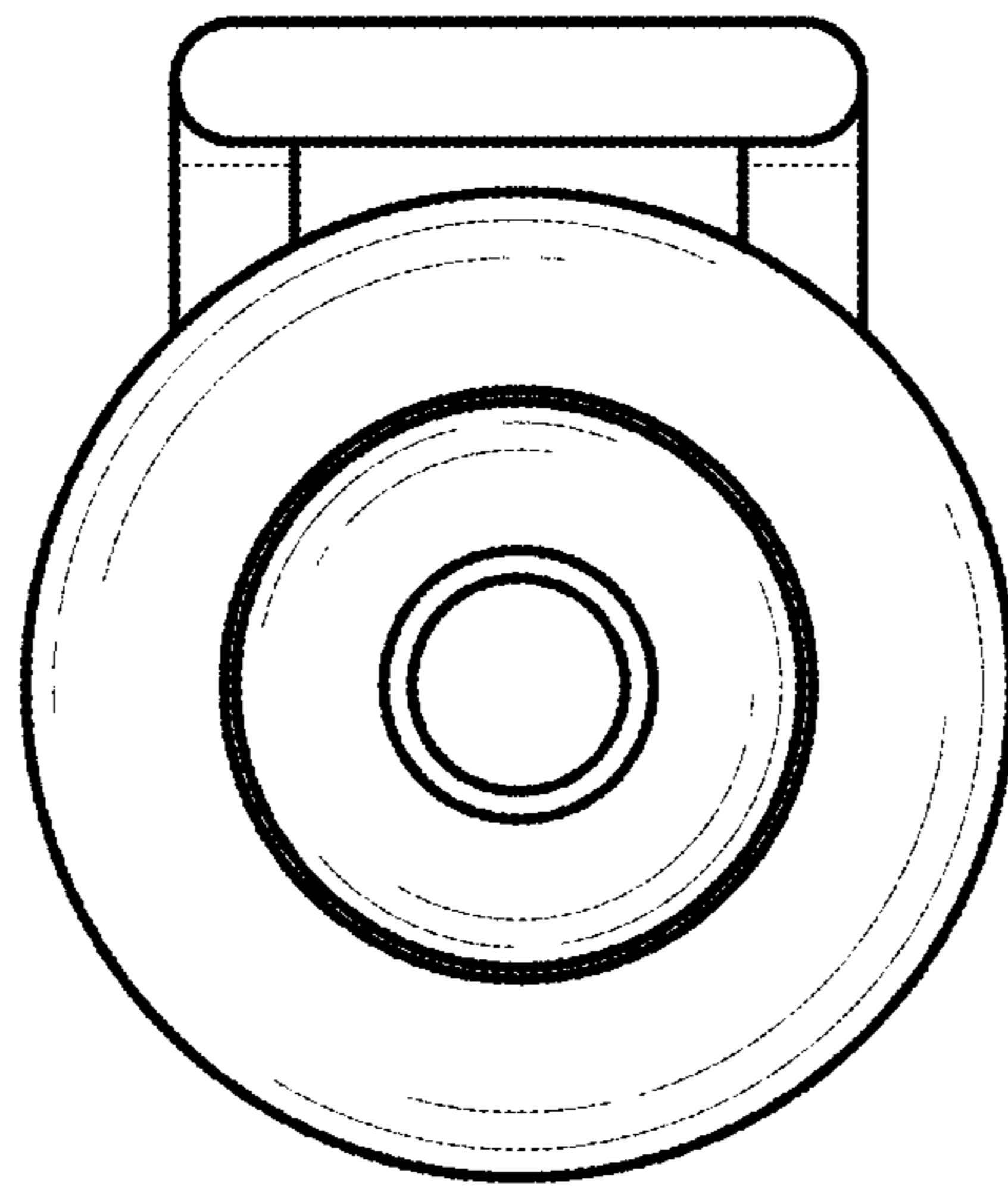


FIG. 7

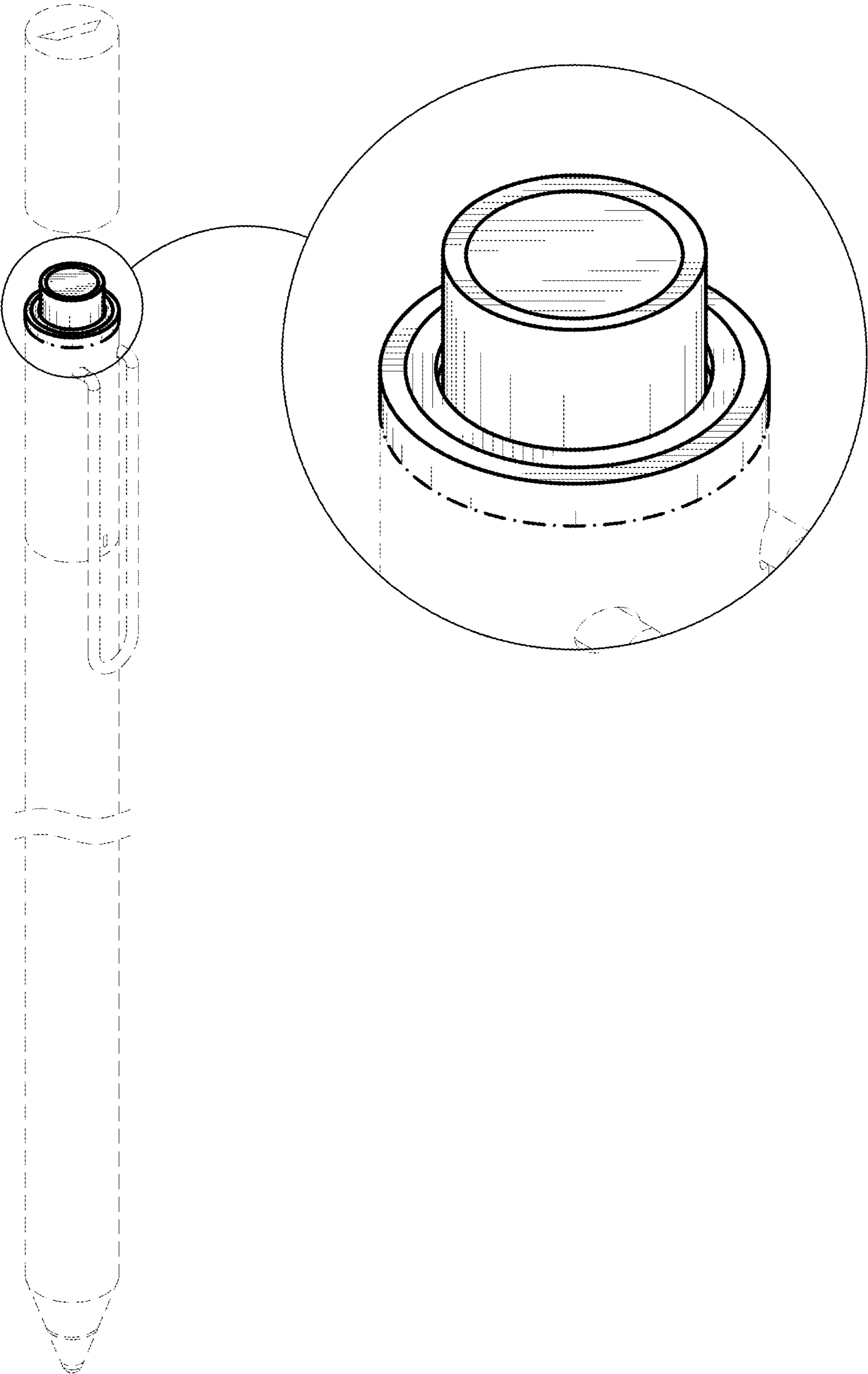


FIG. 8

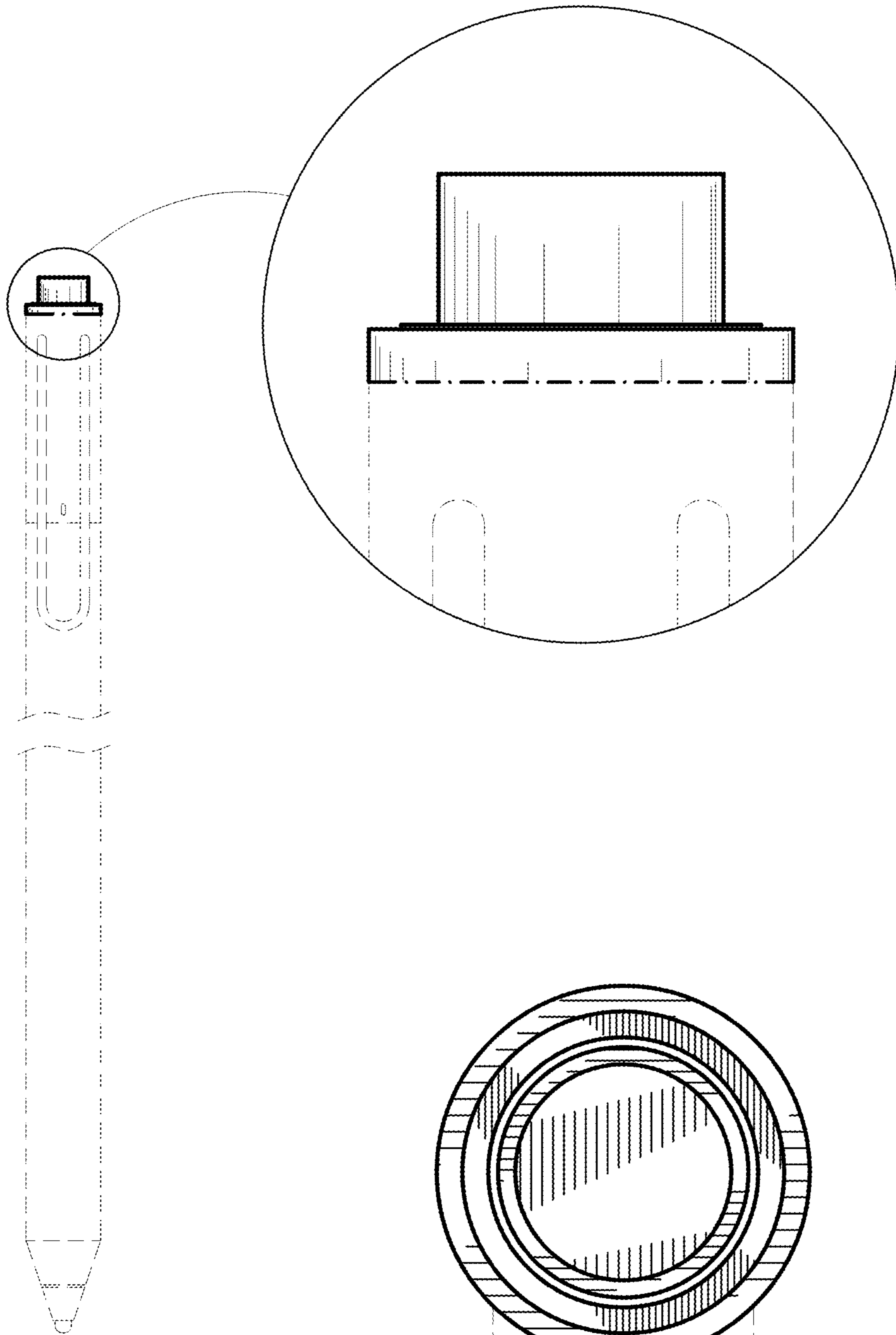


FIG. 9

FIG. 10