



US00D888056S

(12) **United States Design Patent**
Wei et al.

(10) **Patent No.:** **US D888,056 S**
(45) **Date of Patent:** **** Jun. 23, 2020**

(54) **REMOTE CONTROLLER**

(71) Applicant: **HTC Corporation**, Taoyuan (TW)

(72) Inventors: **Chang-Hua Wei**, Taoyuan (TW);
Shih-Hsiu Lee, Taoyuan (TW)

(73) Assignee: **HTC CORPORATION**, Taoyuan (TW)

(**) Term: **15 Years**

(21) Appl. No.: **29/712,359**

(22) Filed: **Nov. 7, 2019**

Related U.S. Application Data

(62) Division of application No. 29/660,941, filed on Aug. 23, 2018.

(51) **LOC (12) Cl.** **14-02**

(52) **U.S. Cl.**
USPC **D14/388**; D21/333; D14/400

(58) **Field of Classification Search**
USPC D14/388, 218, 454, 299, 496, 400, 401,
D14/402, 405, 409, 410, 412, 203.5;
D21/333; D13/168
CPC A63F 13/24; A63F 13/213; A63F 13/214;
A63F 13/00; A63F 13/212; A63F 13/20;
G06F 3/014; G06F 3/017; G06F 3/02;
G06F 3/03547; G06F 3/03549; G06F
3/041; G06F 3/0416; G06F 3/044; G05G
9/047

See application file for complete search history.

(56) **References Cited**

U.S. PATENT DOCUMENTS

5,229,590	A	7/1993	Harden et al.	
D385,537	S	10/1997	Walker et al.	
D405,071	S	2/1999	Gambaro	
D466,510	S	12/2002	Yang	
D473,526	S	4/2003	Israel et al.	
D556,201	S *	11/2007	Ashida	D21/333
D556,760	S *	12/2007	Ashida	D21/333

D567,243	S *	4/2008	Ashida	D21/333
D579,015	S	10/2008	Ashida et al.	
D579,936	S	11/2008	Hu	
D584,312	S	1/2009	Bishop	

(Continued)

OTHER PUBLICATIONS

VR Controllers. (Design—© Questel) orbit.com. [online PDF] 34 pgs. Print Dates Range Dec. 12, 2017 through Jul. 9, 2019. [Retrieved on Sep. 5, 2019] <https://sobjprd.questel.fr/export/QPTUJ214/pdf2/dd8d669b-6124-4329-b77e-669736ab184e-002105.pdf>.*

(Continued)

Primary Examiner — Marie D. Fast Horse

(74) *Attorney, Agent, or Firm* — Birch, Stewart, Kolasch & Birch, LLP

(57) **CLAIM**

The ornamental design for a remote controller, as shown and described.

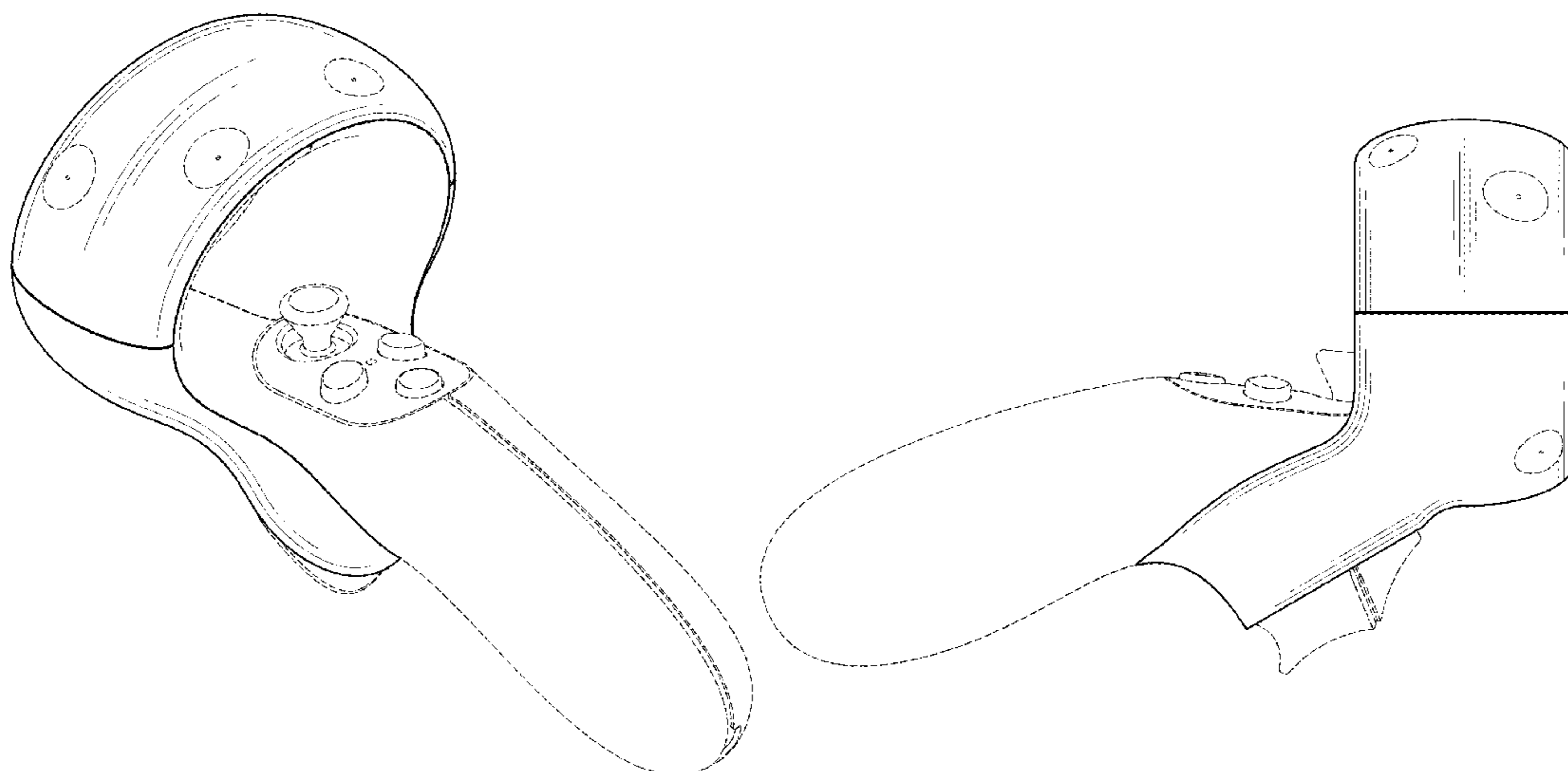
DESCRIPTION

FIG. 1 is a front perspective view of a remote controller in accordance with our new design;
FIG. 2 is a front view thereof;
FIG. 3 is a rear view thereof;
FIG. 4 is a left view thereof;
FIG. 5 is a right view thereof;
FIG. 6 is a top plan view thereof;
FIG. 7 is a bottom plan view thereof; and,
FIG. 8 is a rear perspective view thereof.

The broken lines immediately adjacent the claimed areas represent the bounds of the claimed design while all other broken lines are directed to environment and are for illustrative purposes only. The broken lines form no part of the claimed design.

The unshaded surfaces shown between the broken lines and the solid lines form no part of the claimed design.

1 Claim, 7 Drawing Sheets



(56)

References Cited

U.S. PATENT DOCUMENTS

D626,517 S * 11/2010 Yano D13/168
 D636,772 S 4/2011 Cheng
 D638,841 S 5/2011 Musick, Jr. et al.
 D716,767 S 11/2014 Lee
 D723,008 S 2/2015 Kim
 D734,743 S 7/2015 Geck et al.
 D753,235 S 4/2016 Choi et al.
 D753,236 S 4/2016 Choi et al.
 D772,986 S 11/2016 Chen et al.
 D776,091 S 1/2017 Spio
 D776,640 S 1/2017 Simonian et al.
 D779,487 S 2/2017 Rothfuß
 D780,807 S 3/2017 Chen et al.
 D784,990 S 4/2017 Huang
 D795,959 S 8/2017 Chen et al.
 D800,841 S 10/2017 Chen et al.
 D802,055 S 11/2017 Chen et al.
 D804,579 S 12/2017 Britt et al.
 D804,580 S 12/2017 Britt et al.
 D806,173 S 12/2017 Britt et al.
 D810,083 S 2/2018 Kirkland
 D812,144 S 3/2018 Chandrasiri et al.
 D812,693 S 3/2018 Chen et al.
 D813,203 S * 3/2018 Hardi D14/218
 D815,209 S 4/2018 Chen et al.
 D815,210 S 4/2018 Chen et al.
 D815,697 S 4/2018 Chen et al.
 D817,300 S 5/2018 Bristol et al.

D817,408 S 5/2018 Peng et al.
 D819,638 S 6/2018 Lo et al.
 10,061,458 B1 8/2018 Bristol
 D828,337 S * 9/2018 Li D14/218
 D840,360 S 2/2019 Scott
 D844,608 S 4/2019 Chen et al.
 D844,609 S 4/2019 Bristol et al.
 D849,743 S * 5/2019 Chen D14/401
 D851,086 S * 6/2019 Chen D14/401
 D863,446 S * 10/2019 Bristol D21/333
 D866,554 S * 11/2019 Lo D14/388
 D872,087 S * 1/2020 Lo D14/388
 2005/0197205 A1 9/2005 Hale, Jr
 2016/0357249 A1 12/2016 Webb et al.
 2016/0363996 A1 12/2016 Higgins et al.
 2017/0177102 A1 6/2017 Long
 2017/0189798 A1 7/2017 Rogoza et al.
 2018/0161670 A1 6/2018 Boev
 2018/0296913 A1 * 10/2018 Chen A63F 13/214
 2019/0201783 A1 * 7/2019 Higgins A63F 13/24

OTHER PUBLICATIONS

VR Controllers2. (Design—© Questel) orbit.com. [online PDF] 80 pgs. Print Dates Range Oct. 27, 2017 through May 10, 2019. [Retrieved on Nov. 8, 2019] <https://sobjprd.questel.fr/export/QPTUJ214/pdf2/fe3eb8ac-1445-4cca-a451-6f1465e63824-212654.pdf>.*

* cited by examiner

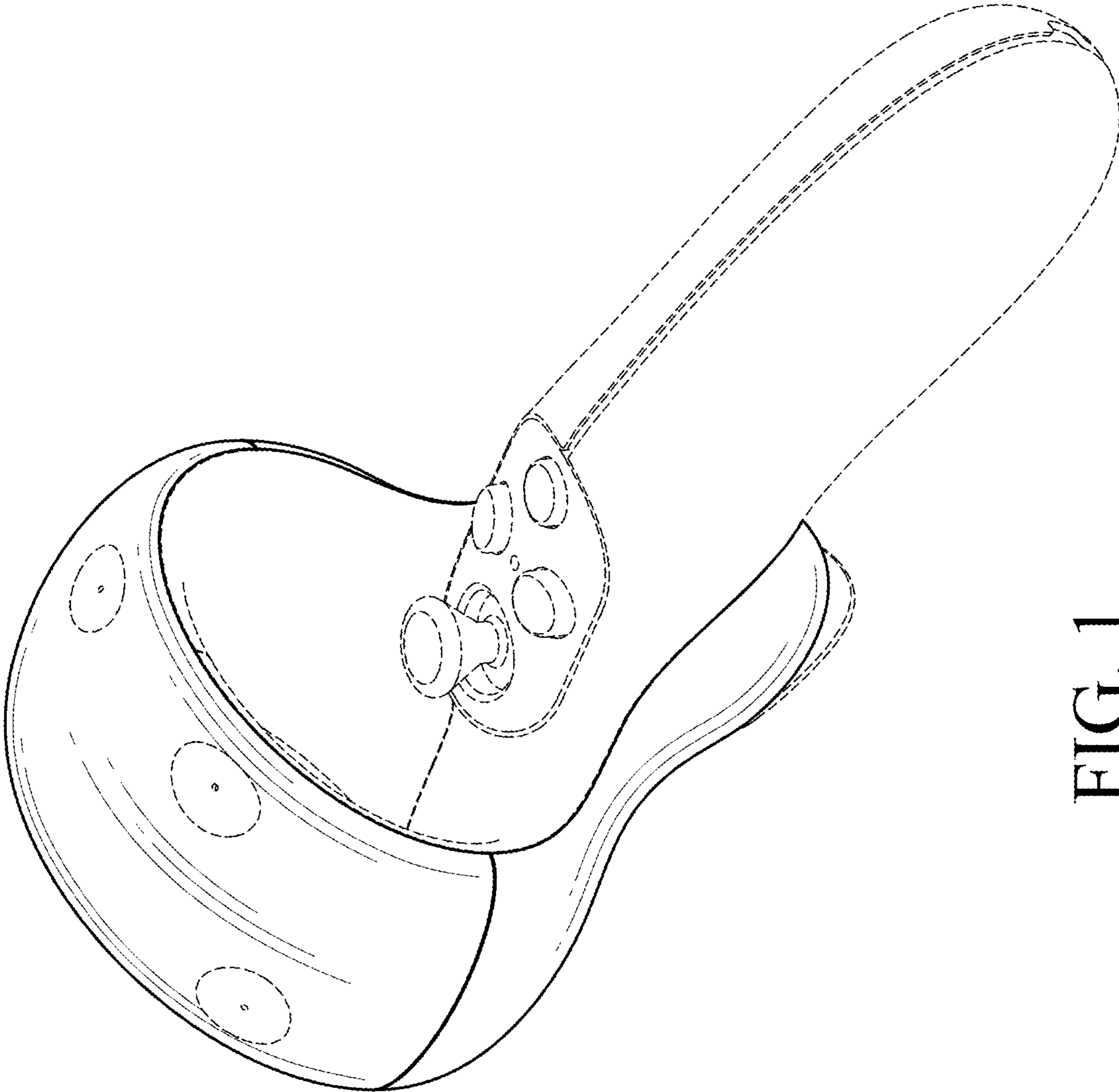


FIG. 1

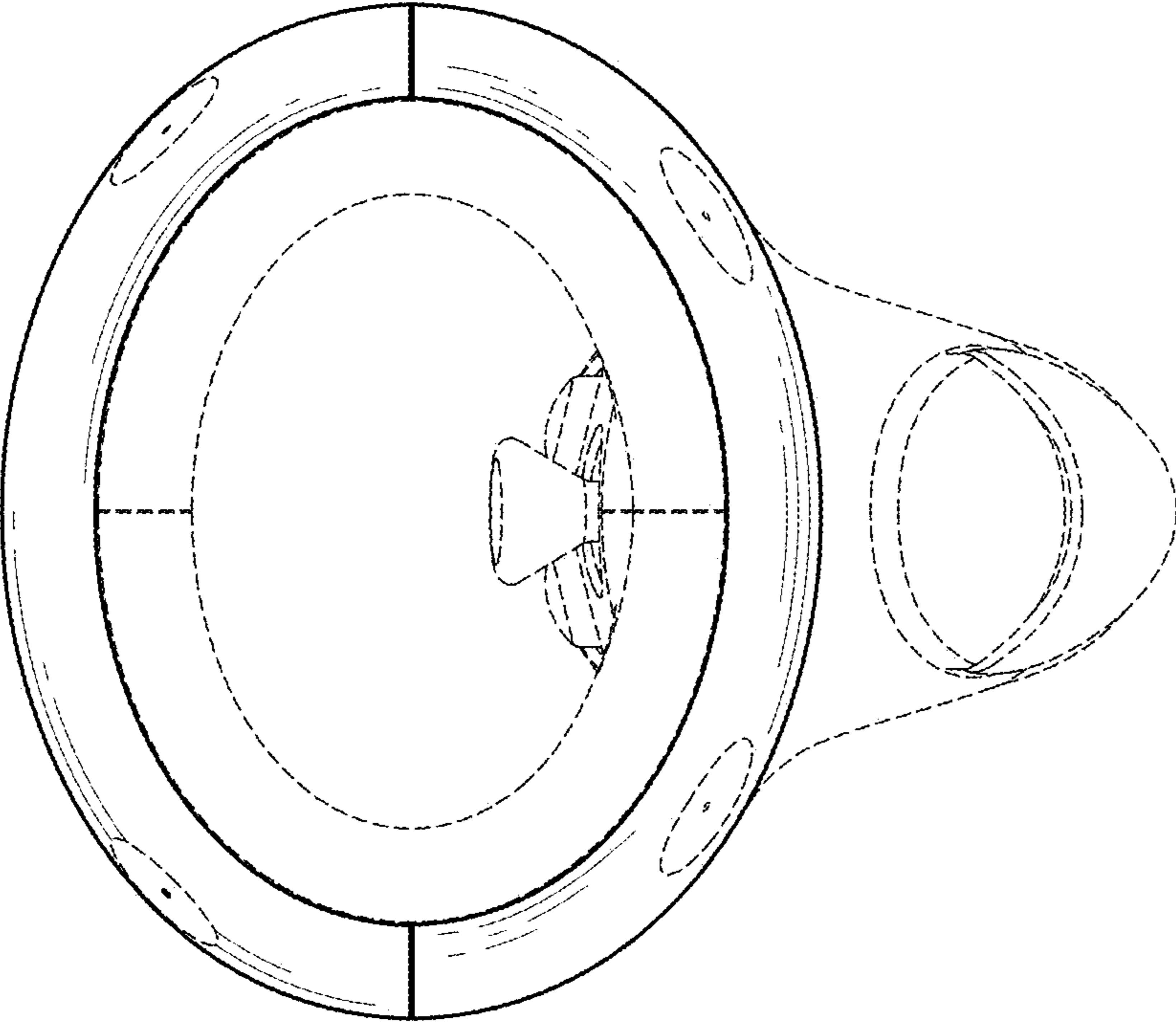


FIG. 2

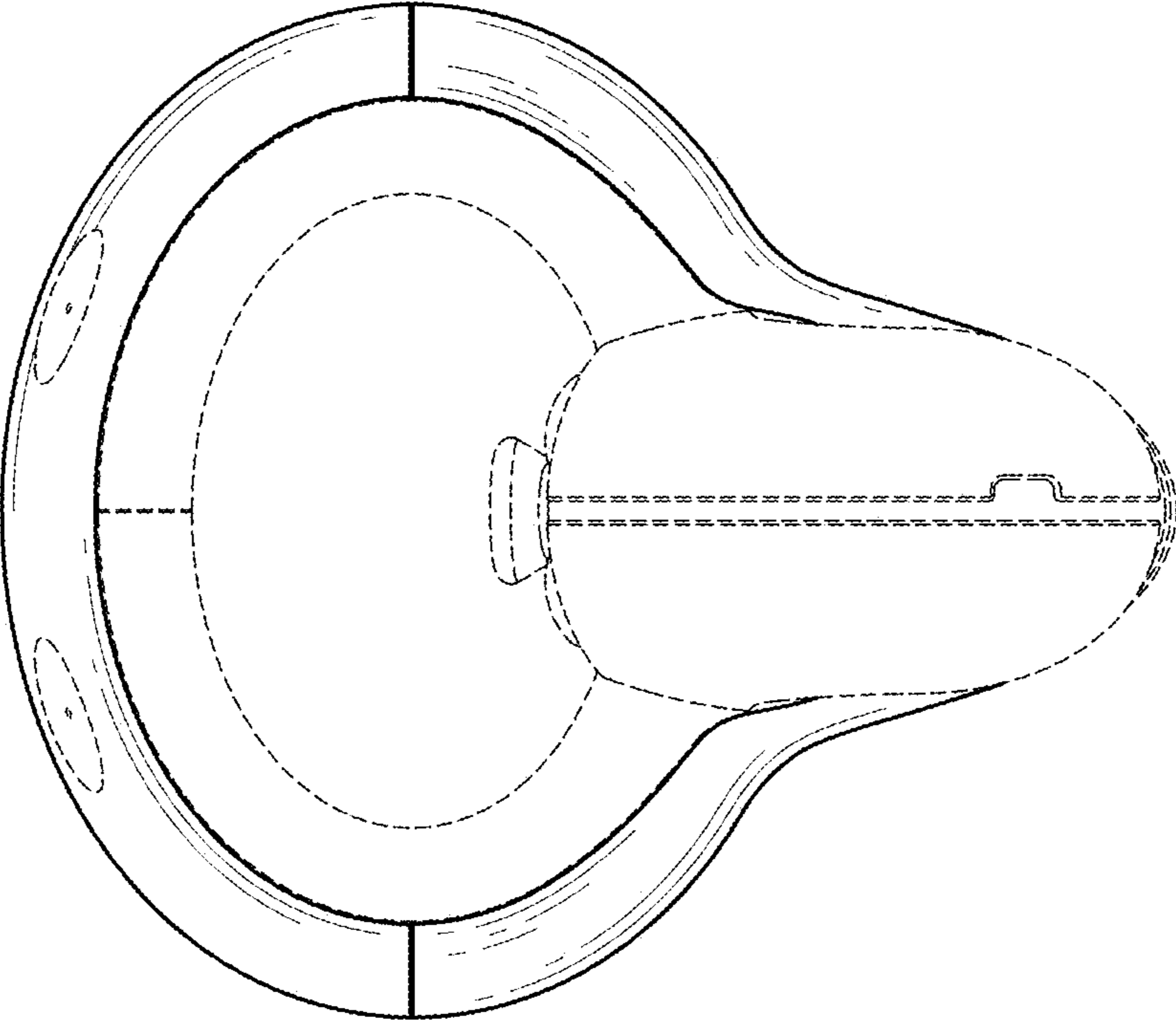


FIG. 3

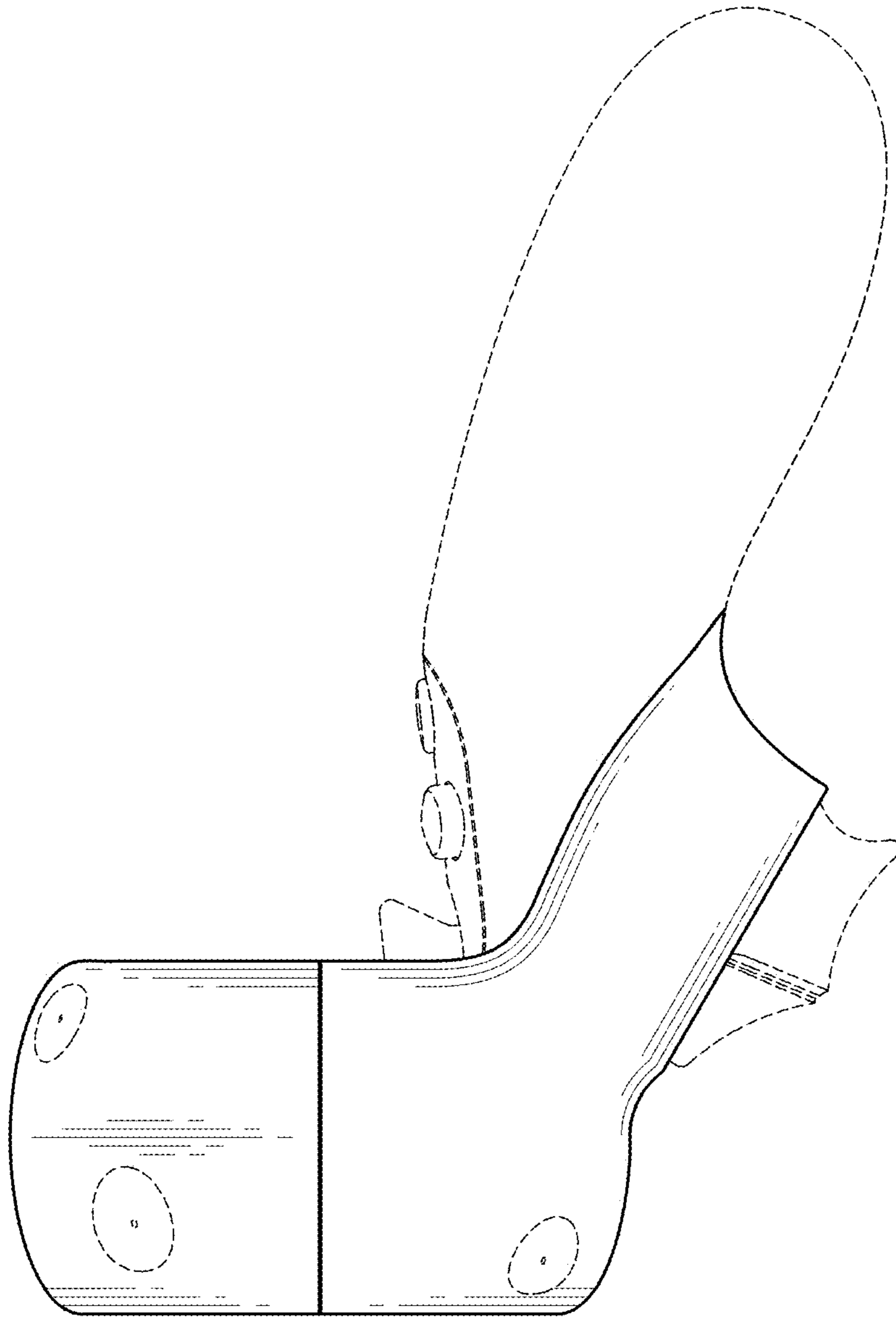


FIG. 4

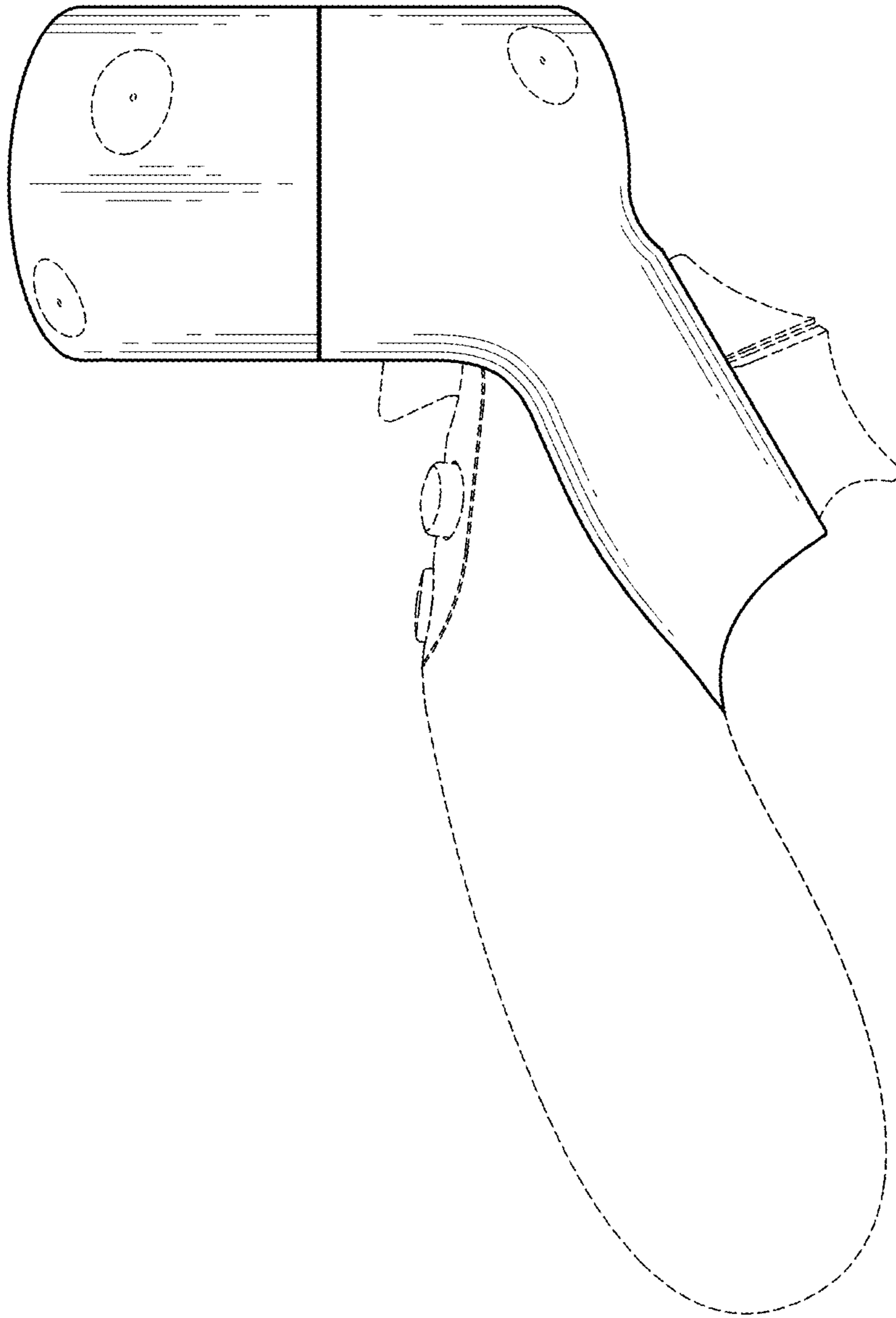


FIG. 5

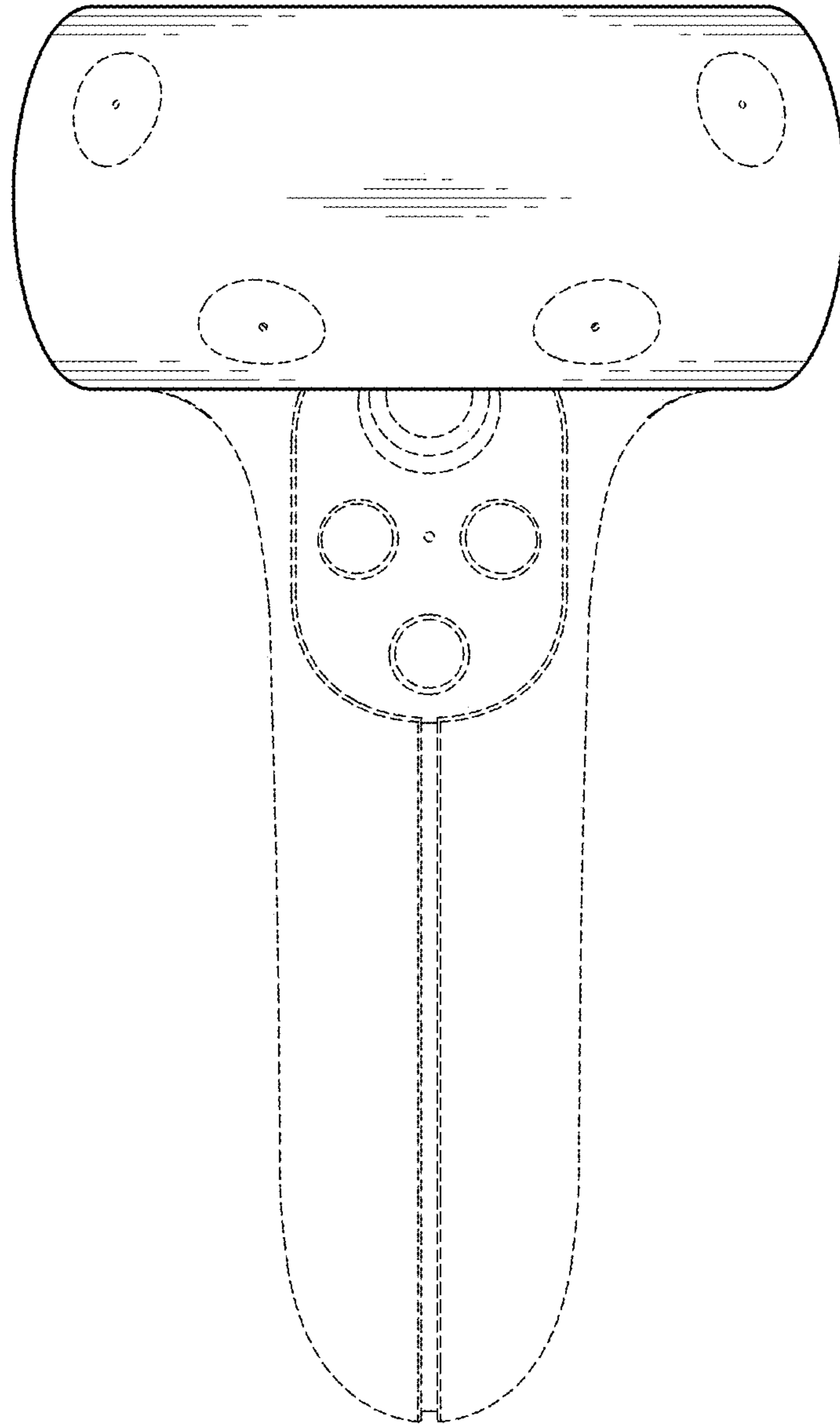


FIG. 6

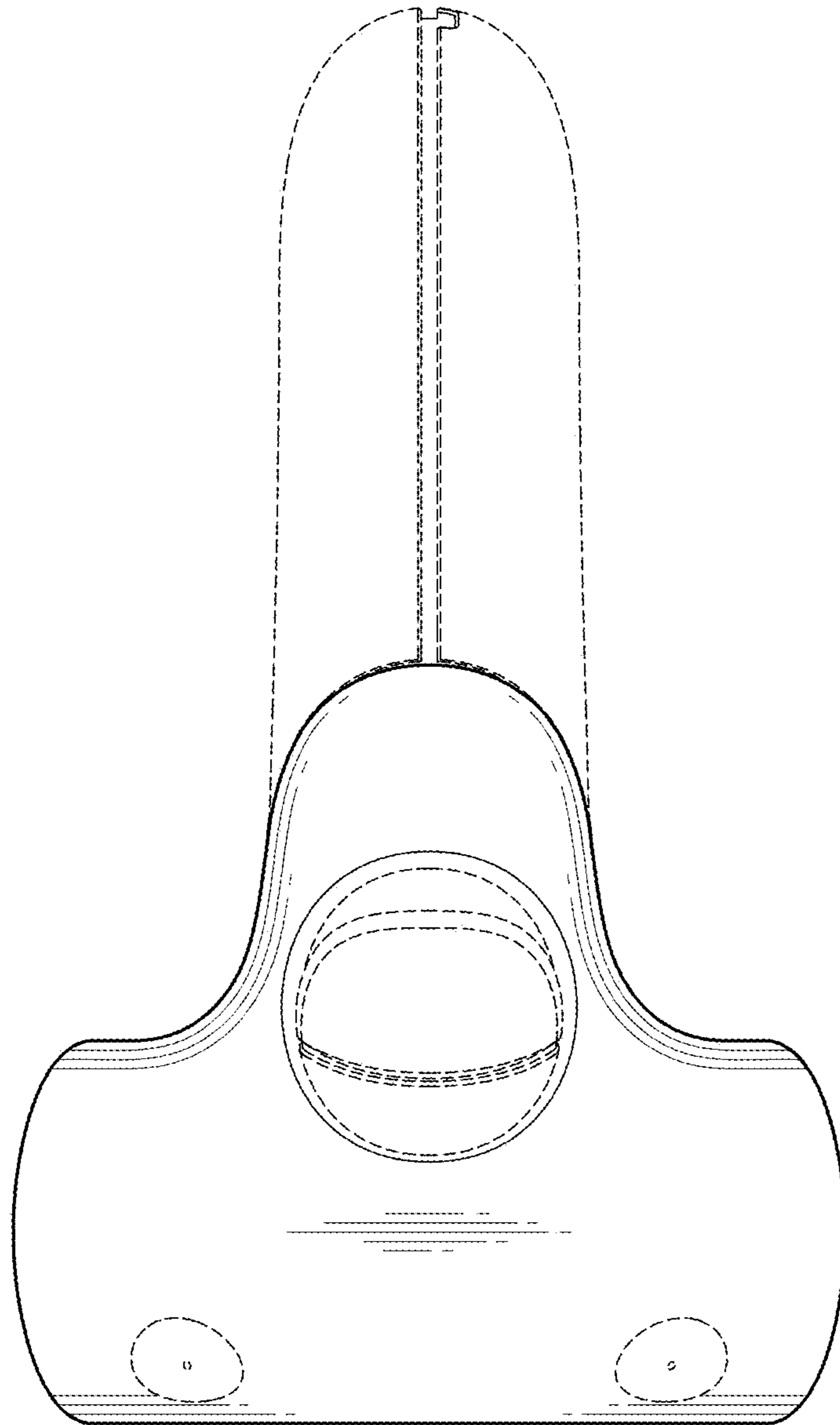


FIG. 7

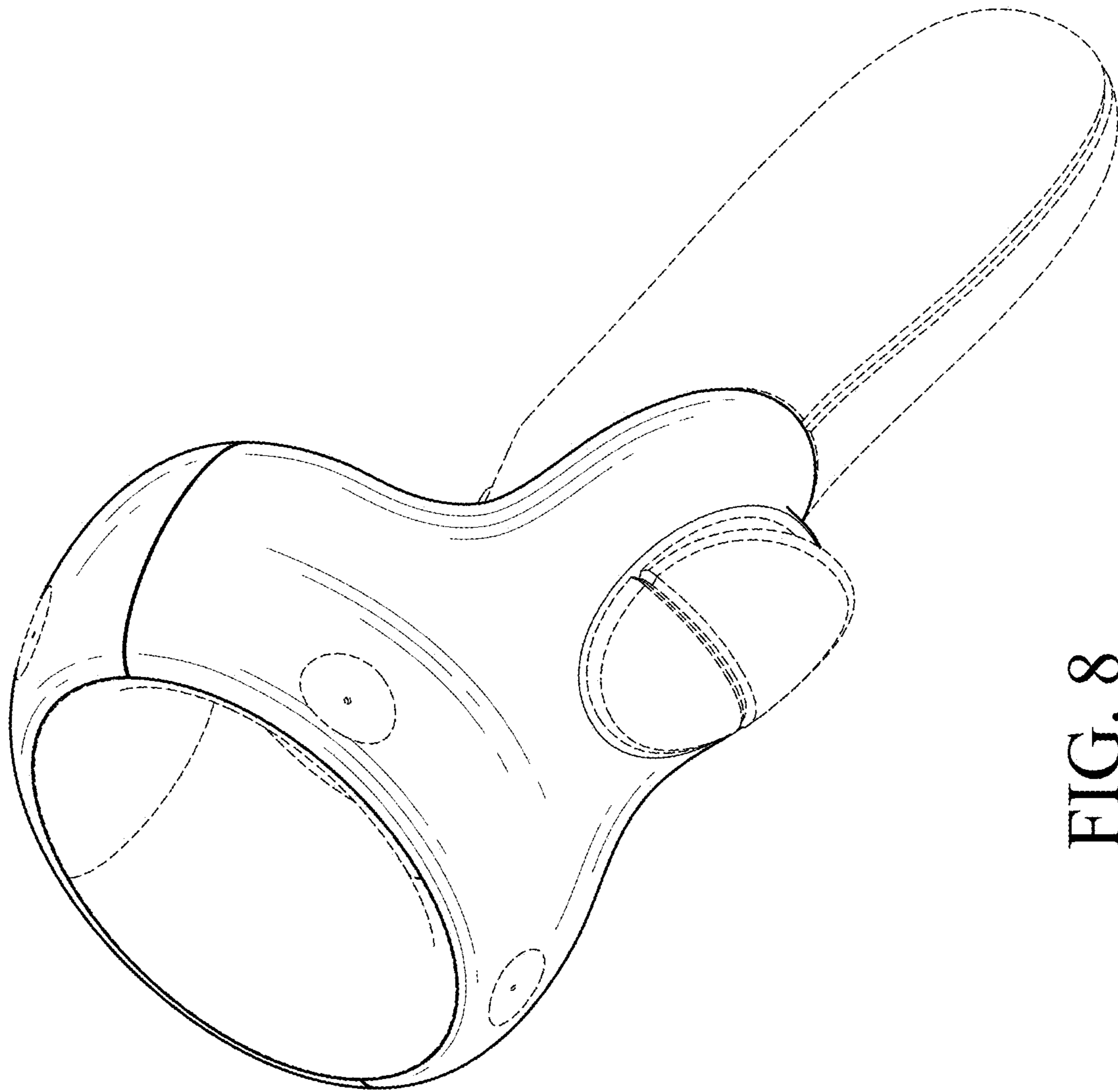


FIG. 8