



US00D888054S

(12) **United States Design Patent**  
**Tai et al.**

(10) **Patent No.:** **US D888,054 S**  
(45) **Date of Patent:** **\*\* Jun. 23, 2020**

(54) **MONITOR WITH INTEGRATED CAMERA**

(71) Applicant: **Dell Products L.P.**, Round Rock, TX (US)

(72) Inventors: **Tzu-Wei Tai**, Taipei (TW); **Antonio T. Latto**, Austin, TX (US); **Cheng-Chia Chiu**, New Taipei (TW); **Shawn P. Hoss**, Georgetown, TX (US); **Toh-Kim Cheong**, Singapore (SG)

(73) Assignee: **Dell Products L.P.**, Round Rock, TX (US)

(\*\*) Term: **15 Years**

(21) Appl. No.: **29/635,927**

(22) Filed: **Feb. 5, 2018**

(51) **LOC (12) Cl.** ..... **14-02**

(52) **U.S. Cl.**  
USPC ..... **D14/374**

(58) **Field of Classification Search**  
USPC ..... D14/300, 305-307, 314, 336, 374-377, D14/448, 450-451, 900-902; 40/406,  
(Continued)

(56) **References Cited**

U.S. PATENT DOCUMENTS

D434,738 S \* 12/2000 Takemasa ..... D14/133  
D496,915 S \* 10/2004 Kita ..... D14/126  
(Continued)

OTHER PUBLICATIONS

Inspiron 24 5000 All-in-One, Dell, topics-cdn.dell.com, author and date not listed © Dell, online, site visited Nov. 19, 2019. Available at URL: [https://topics-cdn.dell.com/pdf/inspiron-24/5477-aiio\\_setup-guide\\_en-us.pdf](https://topics-cdn.dell.com/pdf/inspiron-24/5477-aiio_setup-guide_en-us.pdf) (Year: 2019).\*

(Continued)

*Primary Examiner* — Marissa J Cash  
*Assistant Examiner* — Altaira J Swangin

(74) *Attorney, Agent, or Firm* — Zagorin Cave LLP;  
Robert W. Holland

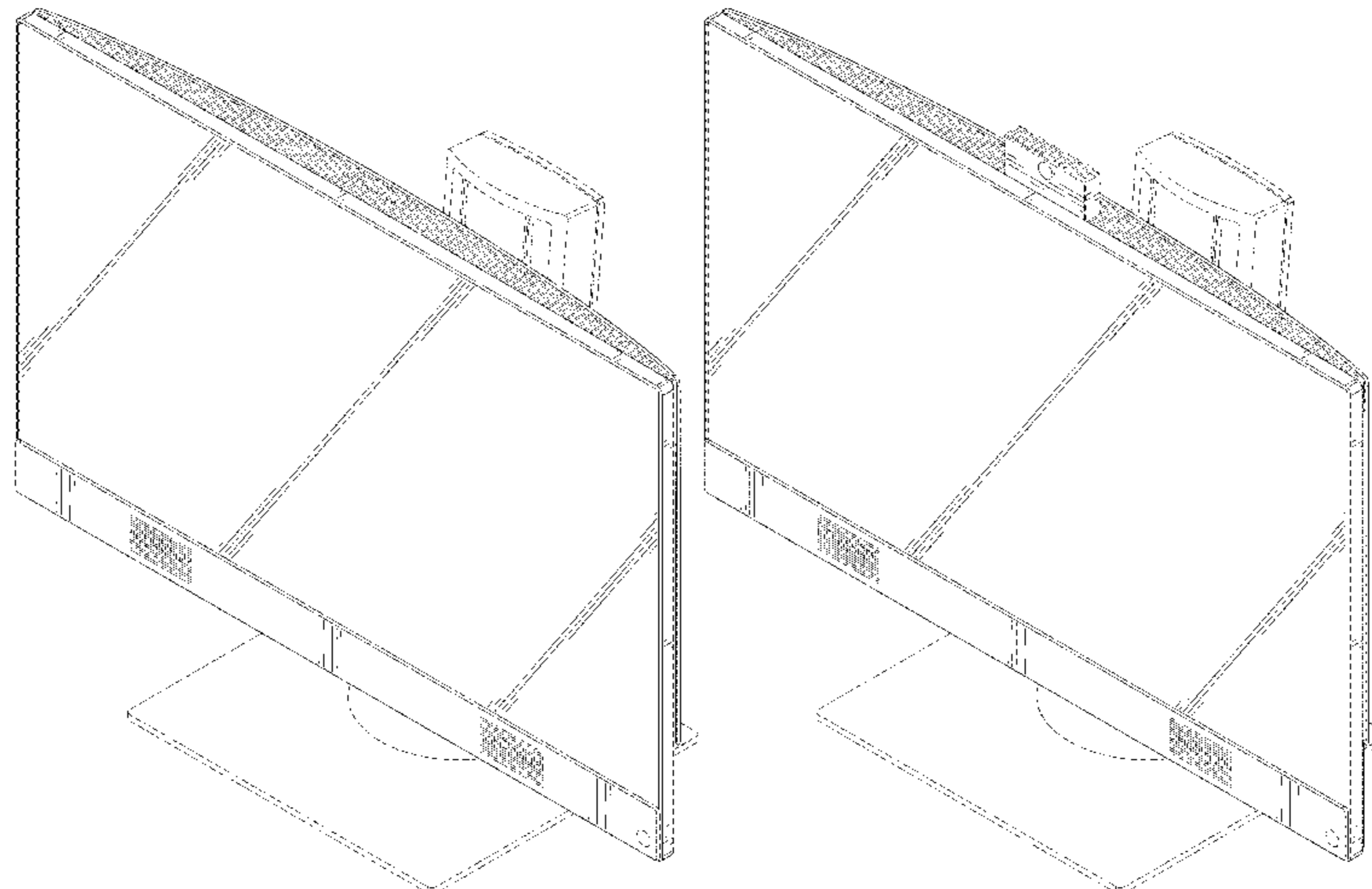
(57) **CLAIM**

The ornamental design for a monitor with integrated camera, as shown and described.

**DESCRIPTION**

FIG. 1 is a front perspective view of the monitor with integrated camera comprising the present invention and showing the integrated camera in a closed state; FIG. 2 is a front elevation view thereof; FIG. 3 is a rear elevation view thereof with the environment removed for ease of illustration; FIG. 4 is a right side view thereof; FIG. 5 is a left side view thereof; FIG. 6 is a top view thereof; FIG. 7 is a bottom view thereof with the environment removed for ease of illustration; FIG. 8 is a rear perspective view thereof with the environment removed for ease of illustration; FIG. 9 is an alternate rear perspective view thereof with the environment removed for ease of illustration; FIG. 10 is another front perspective view thereof showing the monitor with integrated camera of FIGS. 1-9 in an alternative configuration with the integrated camera extending from an upper surface; FIG. 11 is a front elevation view thereof showing the monitor with integrated camera of FIGS. 1-9 with the integrated camera extending from an upper surface; FIG. 12 is a right side view thereof showing the monitor with integrated camera of FIGS. 1-9 with the integrated camera extending from an upper surface; FIG. 13 is front perspective view shown in an environment of use having a protective cover coupled to the front face thereof and showing the integrated camera in a closed state; FIG. 14 is a right side view thereof; and, FIG. 15 is a front perspective exploded view having the environmental protective cover extended off the front face. Broken lines shown in the drawings illustrate portions of the monitor with integrated camera which form no part of the claimed design. All other broken lines, shown in FIGS.

(Continued)



13-15, illustrate environmental subject matter which forms no part of the claimed design.

**1 Claim, 14 Drawing Sheets**

(58) **Field of Classification Search**

USPC ..... 40/427; D20/39, 41-42; 345/1.1, 1.3; 211/1.57, 19-24, 169.1, 180, 207; D10/57, 78; 348/73-75; 600/104; D24/137-138, 160, 186; D19/113-114  
 CPC ... E04H 1/1227; E04H 1/1272; E04H 1/1222; G09F 13/00; G09F 9/00; G09F 9/3023; G09F 9/3026; B62B 3/108; B62B 3/02; B62B 2301/00; B62B 2301/254; F16M 11/10; F16M 11/22; F16M 2200/022; F16M 2200/041; G06F 1/16

See application file for complete search history.

(56) **References Cited**

U.S. PATENT DOCUMENTS

D528,114 S \* 9/2006 Kawa ..... D14/375  
 D563,335 S \* 3/2008 Murata ..... D14/126  
 D592,163 S \* 5/2009 Lee ..... D14/126  
 D599,755 S \* 9/2009 Jin ..... D14/126  
 D616,400 S \* 5/2010 Lee ..... D14/126  
 D642,561 S \* 8/2011 Tang ..... D14/336  
 D658,646 S \* 5/2012 Akana ..... D14/336  
 D669,472 S \* 10/2012 McManigal ..... D14/374  
 D672,770 S \* 12/2012 Shih ..... D14/374  
 D682,271 S \* 5/2013 Kim ..... D14/374  
 D712,397 S \* 9/2014 Akana ..... D14/336  
 D726,717 S \* 4/2015 Lee ..... D14/371  
 D727,893 S \* 4/2015 Lee ..... D14/336  
 9,232,171 B2 \* 1/2016 Sugiura ..... H04N 5/64  
 D750,077 S 2/2016 Lee  
 D750,627 S 3/2016 Lee  
 9,360,151 B2 \* 6/2016 Chiang ..... F16M 11/2021  
 9,448,583 B1 \* 9/2016 Lee ..... G06F 1/16

9,470,356 B1 \* 10/2016 Zaloom ..... F16M 11/12  
 D796,509 S \* 9/2017 Oh ..... D14/374  
 D797,736 S \* 9/2017 Chu ..... D14/374  
 D821,395 S \* 6/2018 Thetard ..... D14/374  
 10,025,127 B2 \* 7/2018 Kang ..... G09F 9/00  
 D827,644 S \* 9/2018 Kim ..... D14/377  
 10,066,823 B2 \* 9/2018 Cho ..... G06F 1/3265  
 D836,110 S \* 12/2018 Quijano ..... D14/374  
 D836,582 S \* 12/2018 Cha ..... D14/126  
 D837,223 S \* 1/2019 Wu ..... D14/451  
 10,194,546 B2 \* 1/2019 Hori ..... G09F 9/00  
 D871,395 S \* 12/2019 Yang ..... D14/336  
 10,514,729 B2 \* 12/2019 Quijano ..... G06F 1/1656  
 2006/0018092 A1 \* 1/2006 Nagano ..... F16M 11/10  
 361/679.21  
 2008/0117574 A1 \* 5/2008 Lee ..... G06F 1/1601  
 361/679.06  
 2009/0168321 A1 \* 7/2009 Kataoka ..... G06F 1/1601  
 361/679.22  
 2011/0241553 A1 \* 10/2011 Schindler ..... G09F 13/06  
 315/158  
 2012/0182496 A1 \* 7/2012 Nozawa ..... G02F 1/133603  
 349/61  
 2014/0204276 A1 \* 7/2014 Kuromizu ..... H04N 5/66  
 348/725  
 2014/0284435 A1 \* 9/2014 Lu ..... F16M 11/10  
 248/125.2  
 2015/0308608 A1 \* 10/2015 Lei ..... F16M 11/10  
 361/679.01  
 2016/0091135 A1 \* 3/2016 Chen ..... F16M 11/28  
 248/544  
 2017/0329364 A1 \* 11/2017 Kim ..... G06F 1/16  
 2018/0045361 A1 \* 2/2018 Hsu ..... F16M 11/10  
 2019/0357368 A1 \* 11/2019 Huang ..... H05K 5/0017

OTHER PUBLICATIONS

U.S. Appl. No. 29/601,569, filed Apr. 24, 2017, entitled Display Device, to inventors Thetard et al.

U.S. Appl. No. 29/622,729, filed Oct. 19, 2017, entitled Display Stand, to inventors Wu et al.

\* cited by examiner

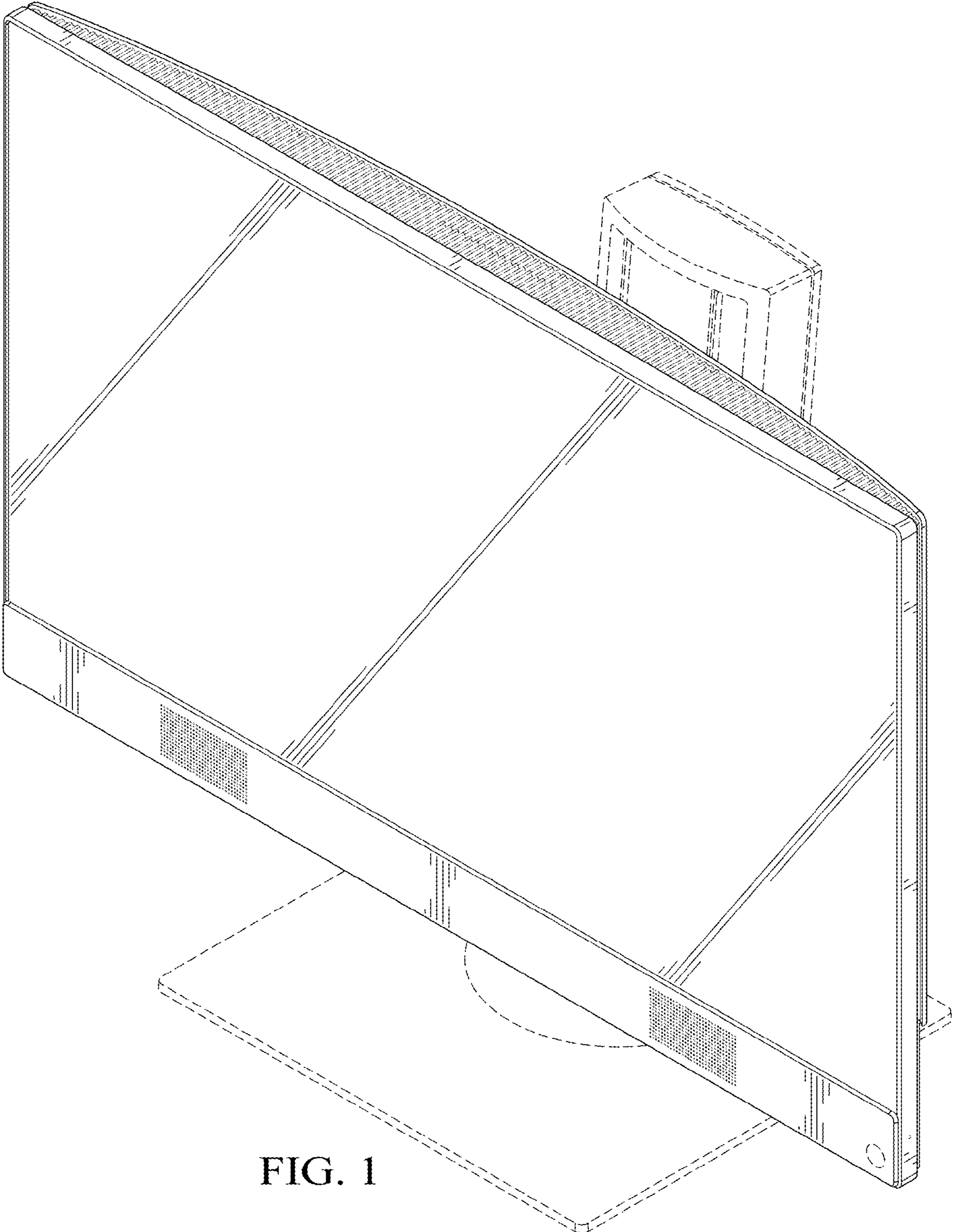


FIG. 1

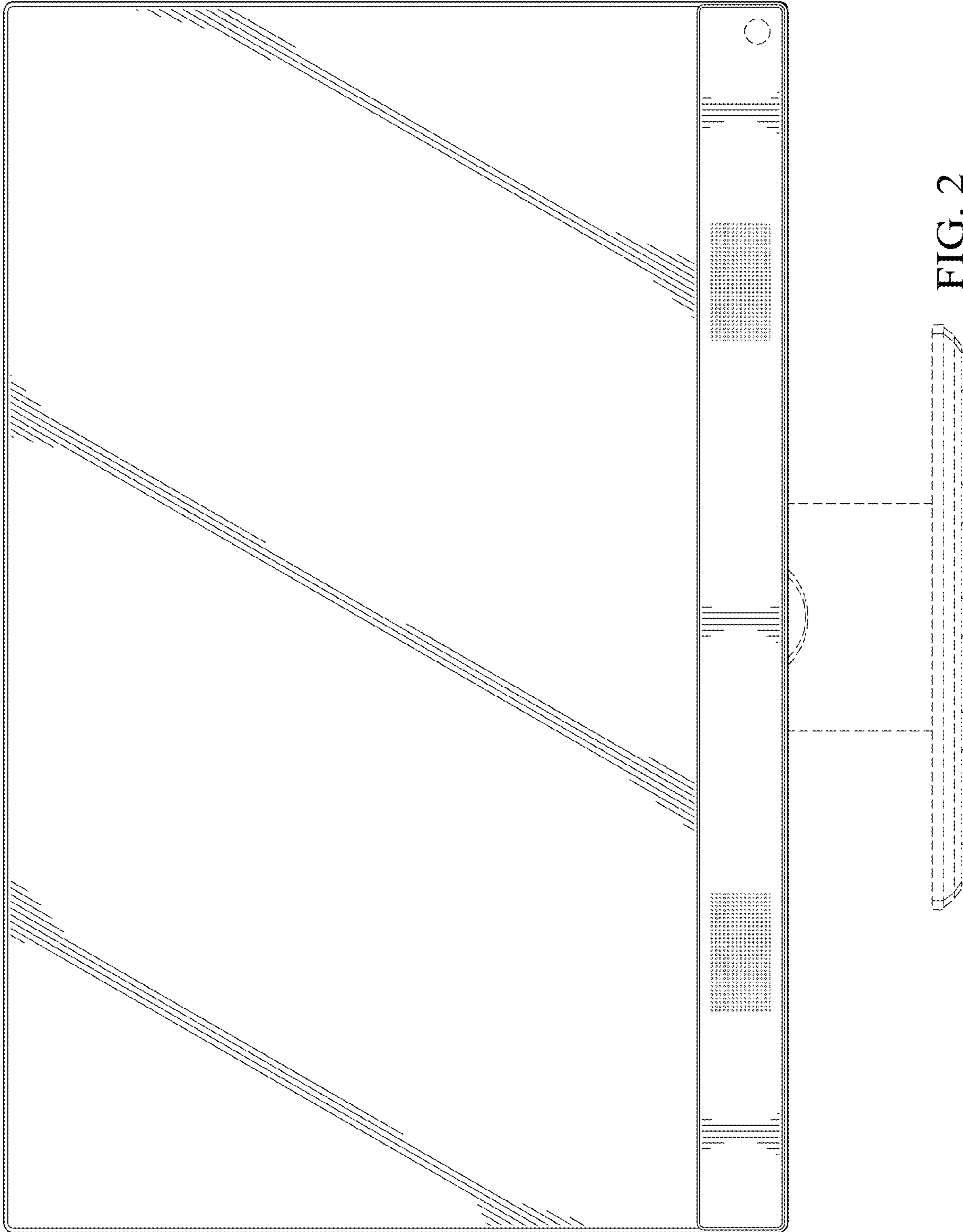


FIG. 2

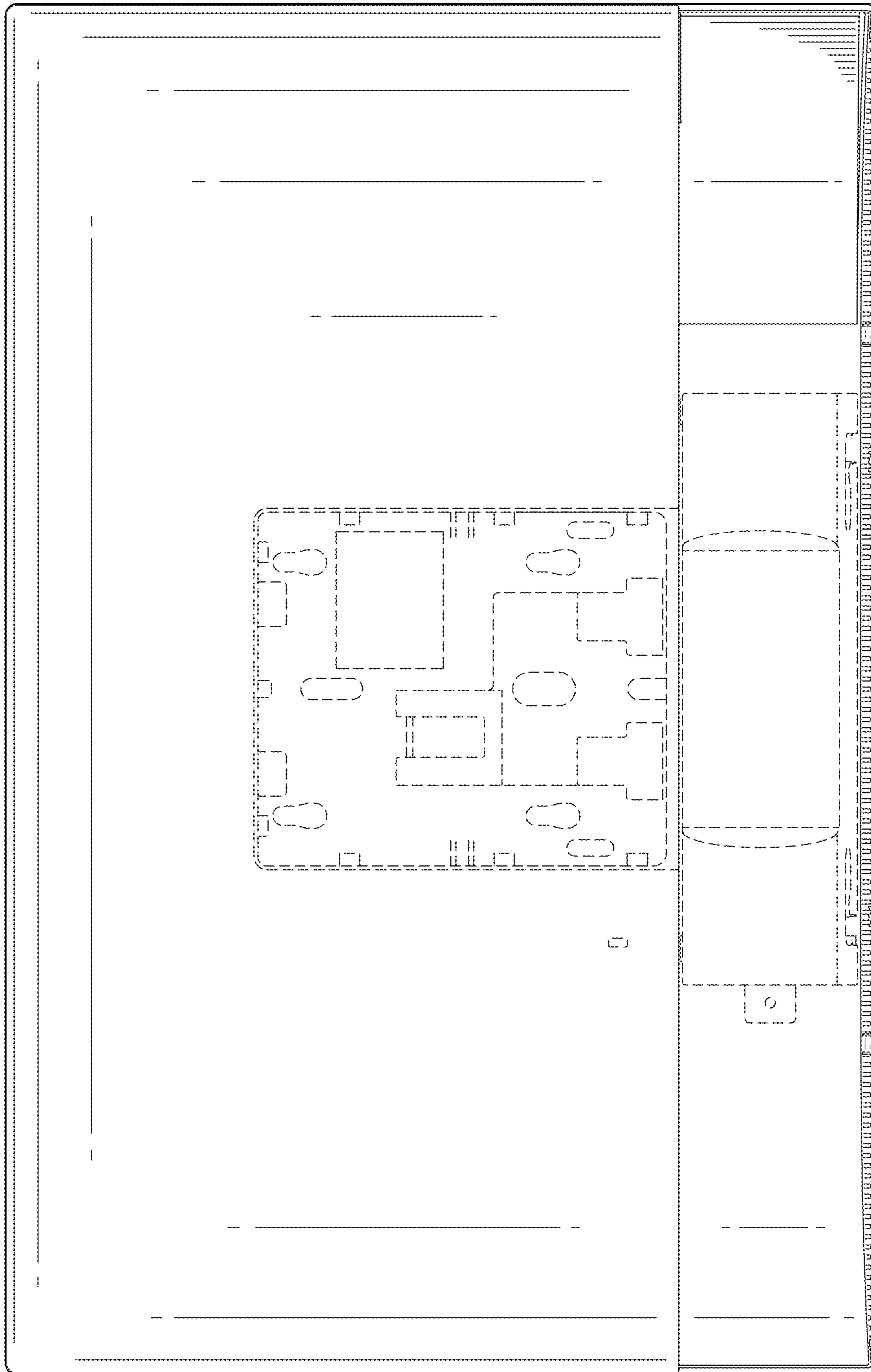


FIG. 3

FIG. 5

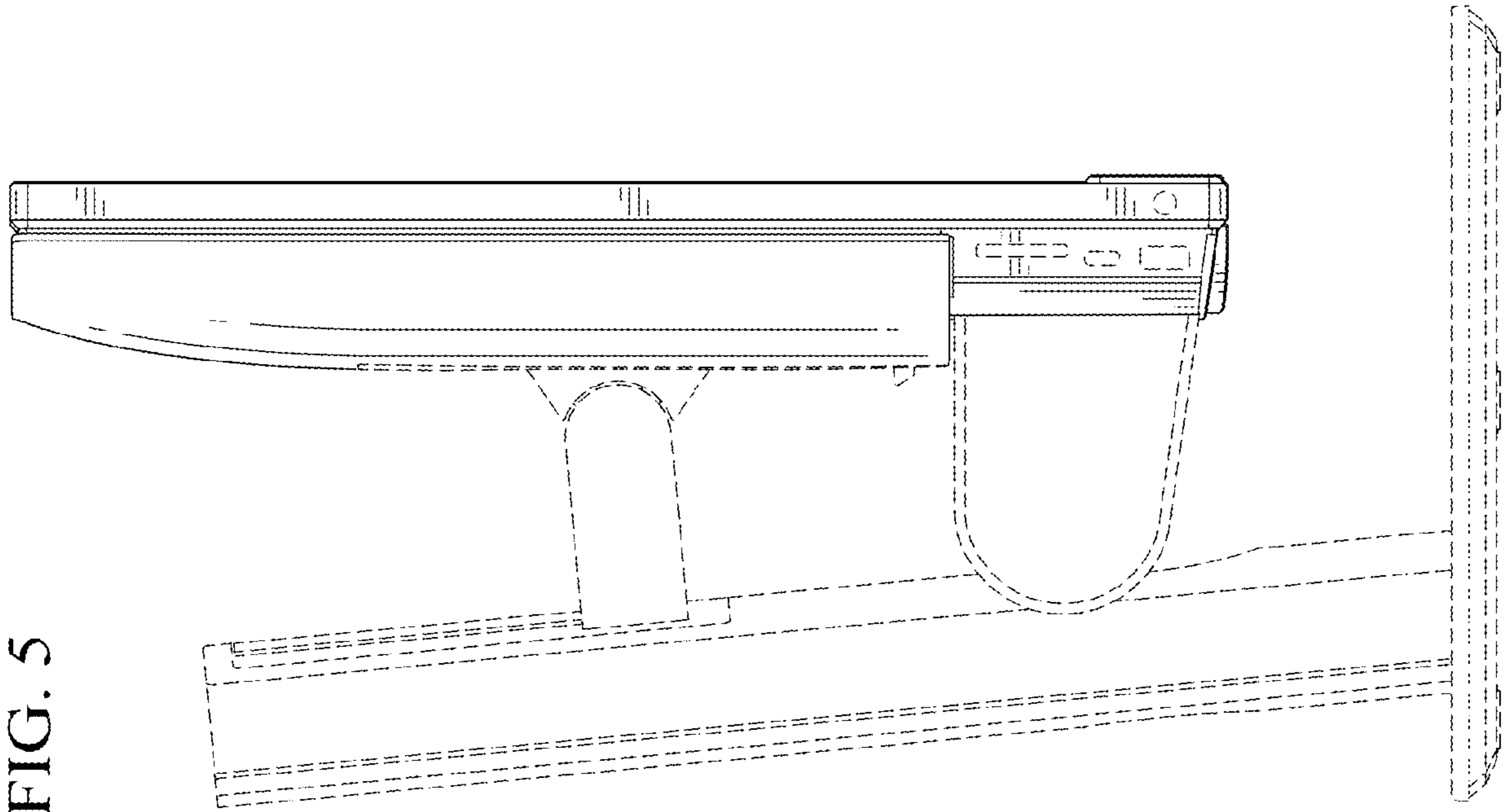
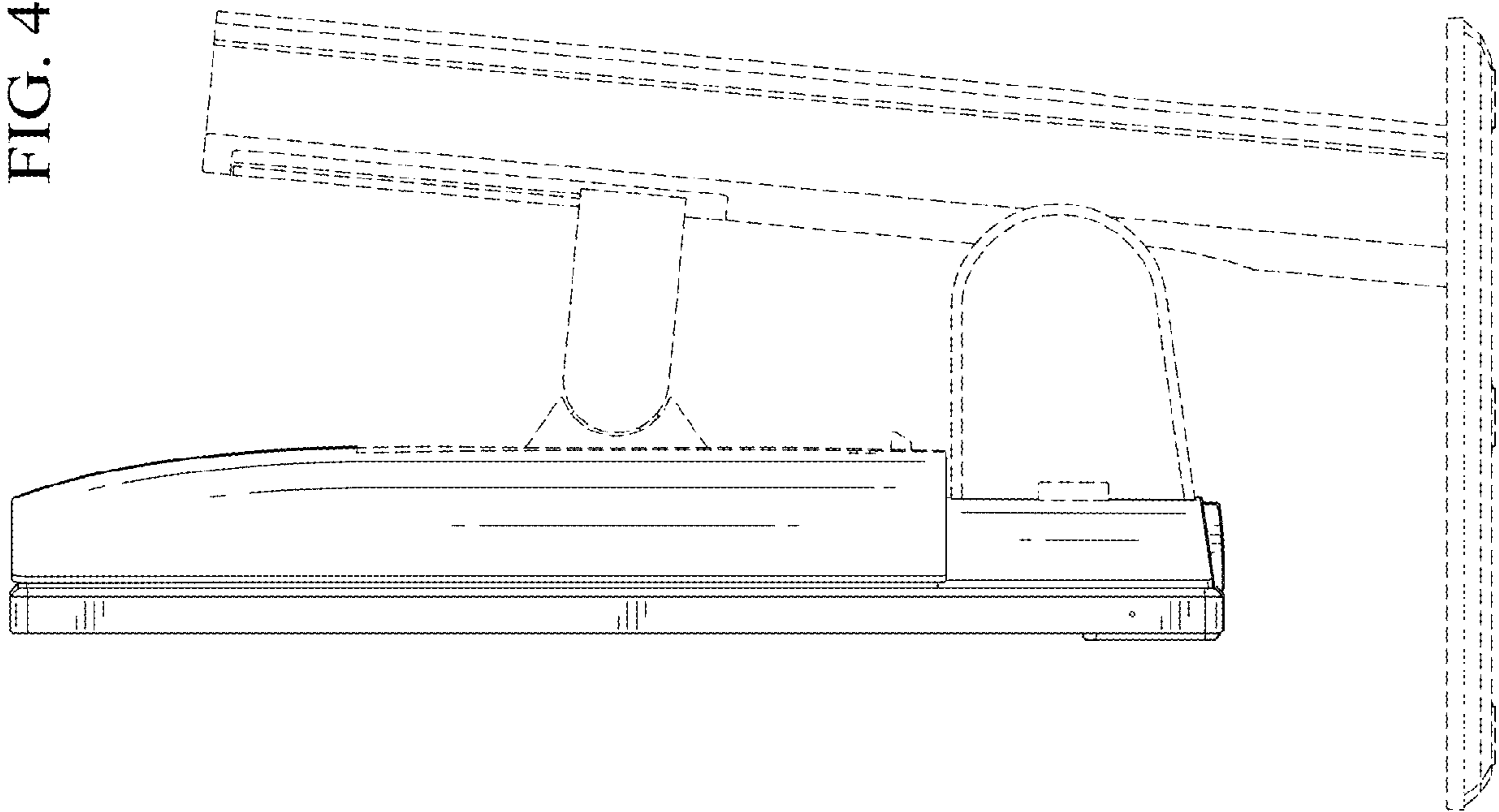


FIG. 4



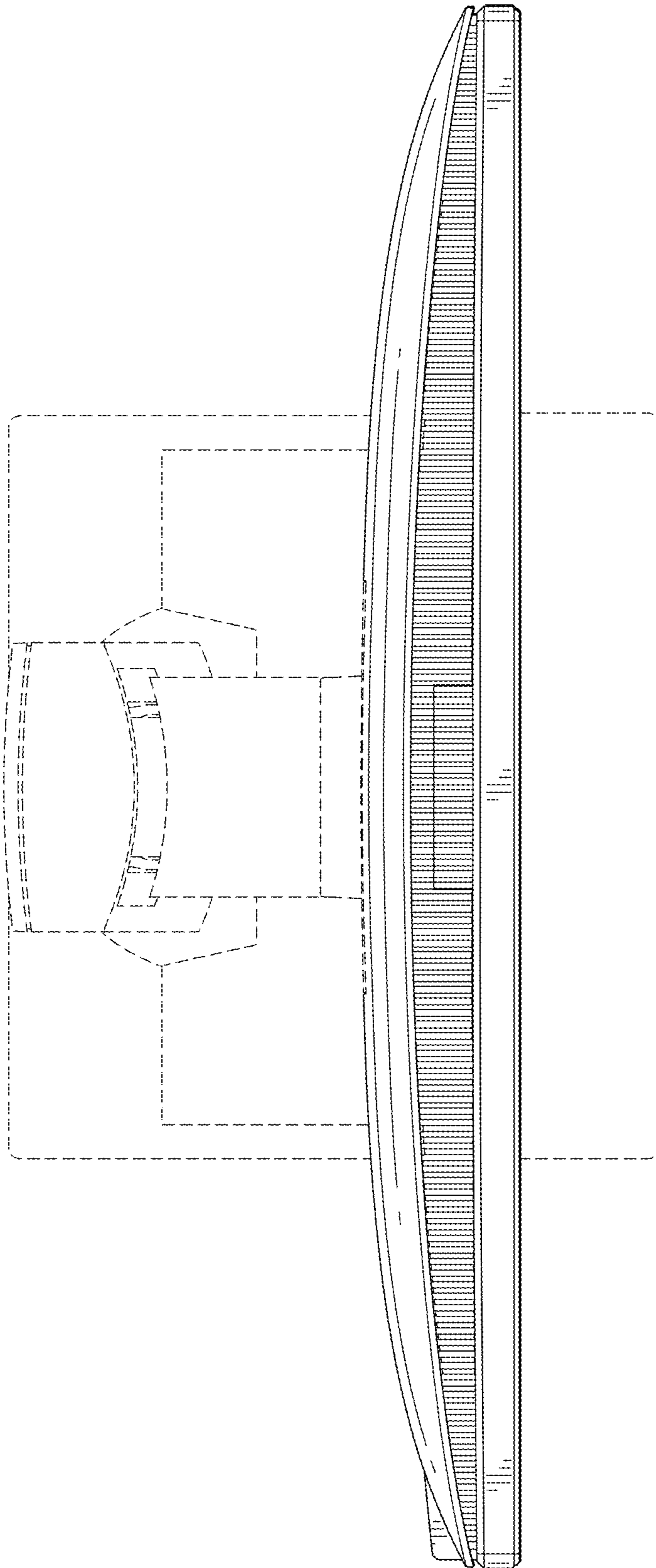


FIG. 6

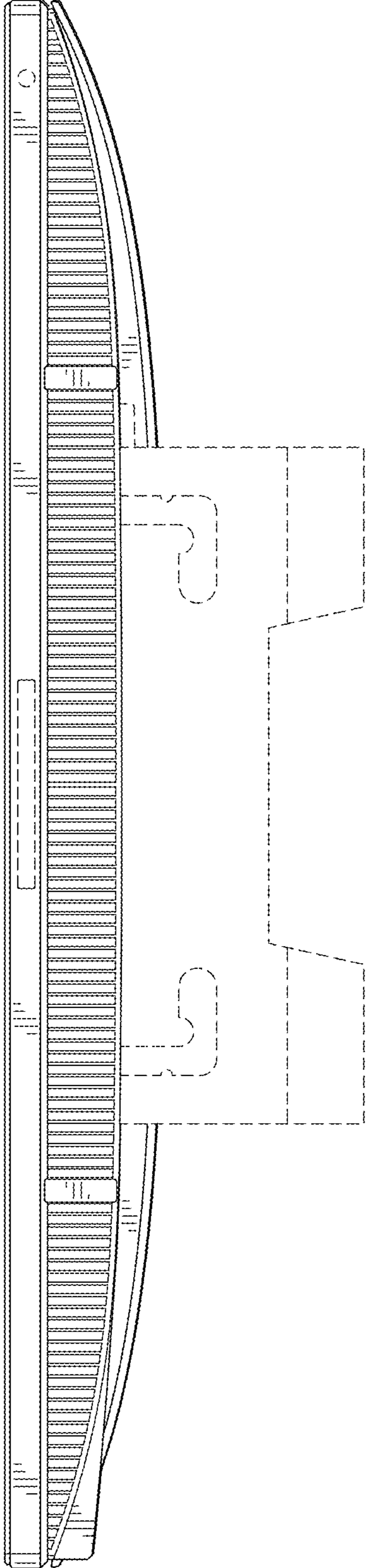


FIG. 7



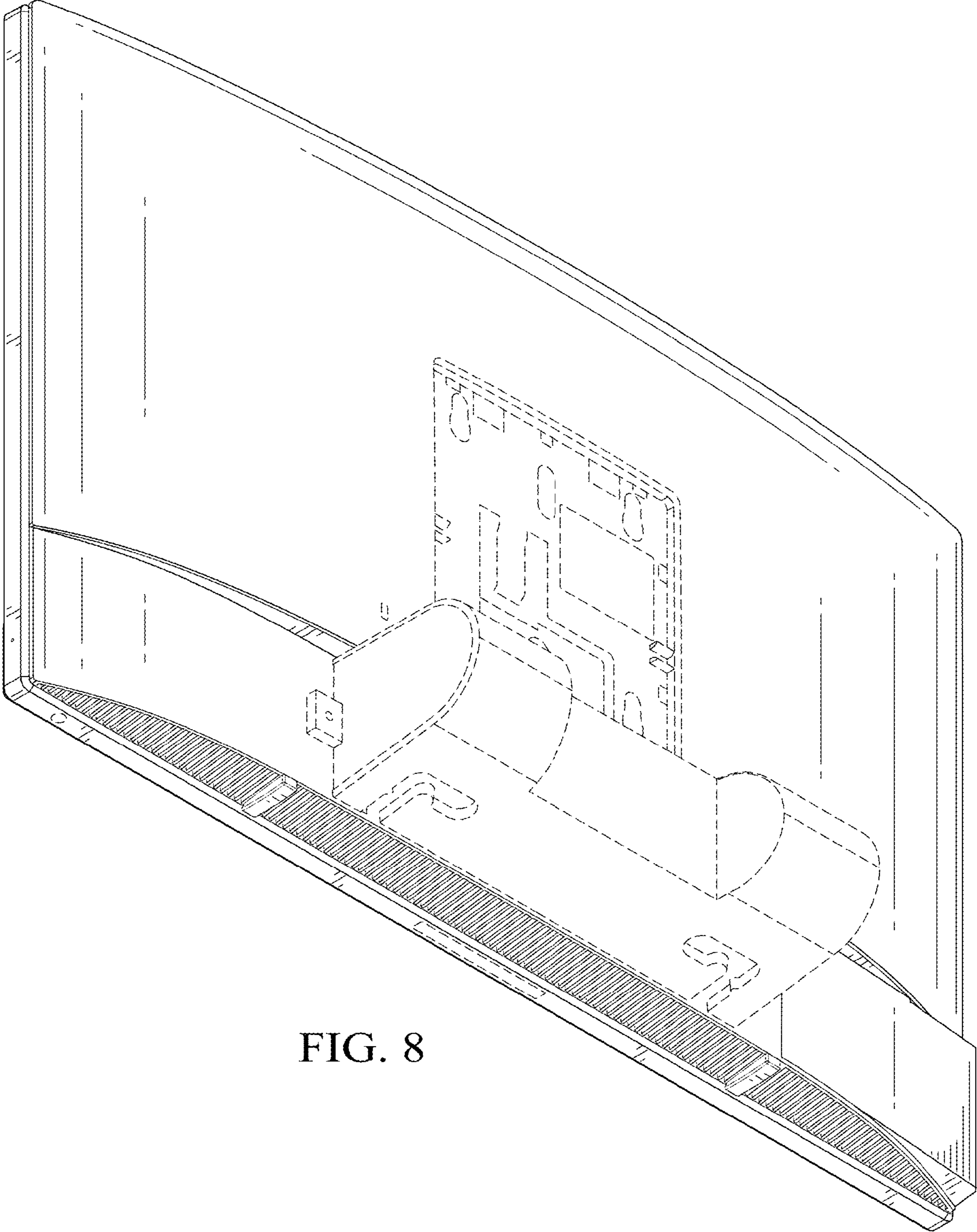


FIG. 8

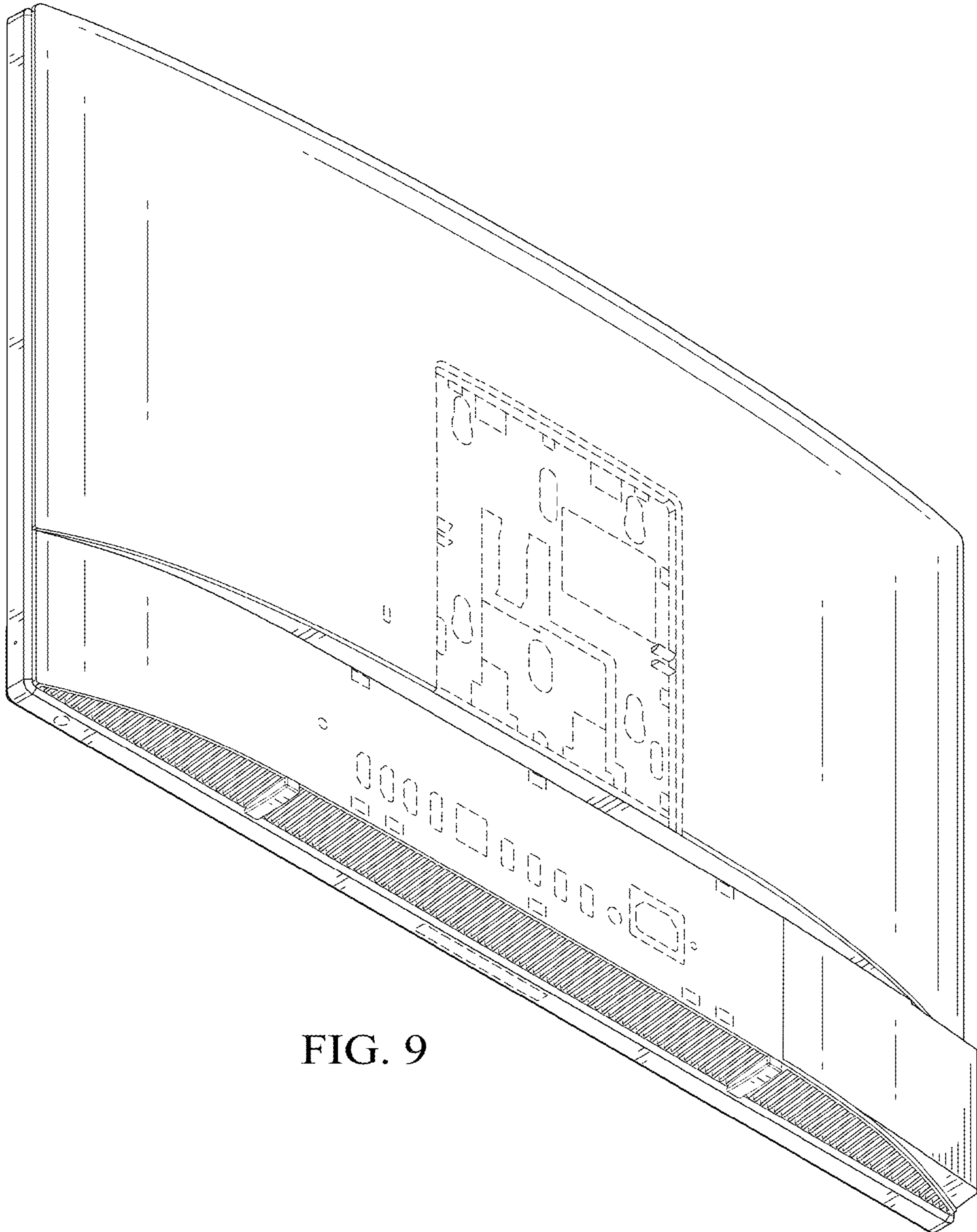


FIG. 9

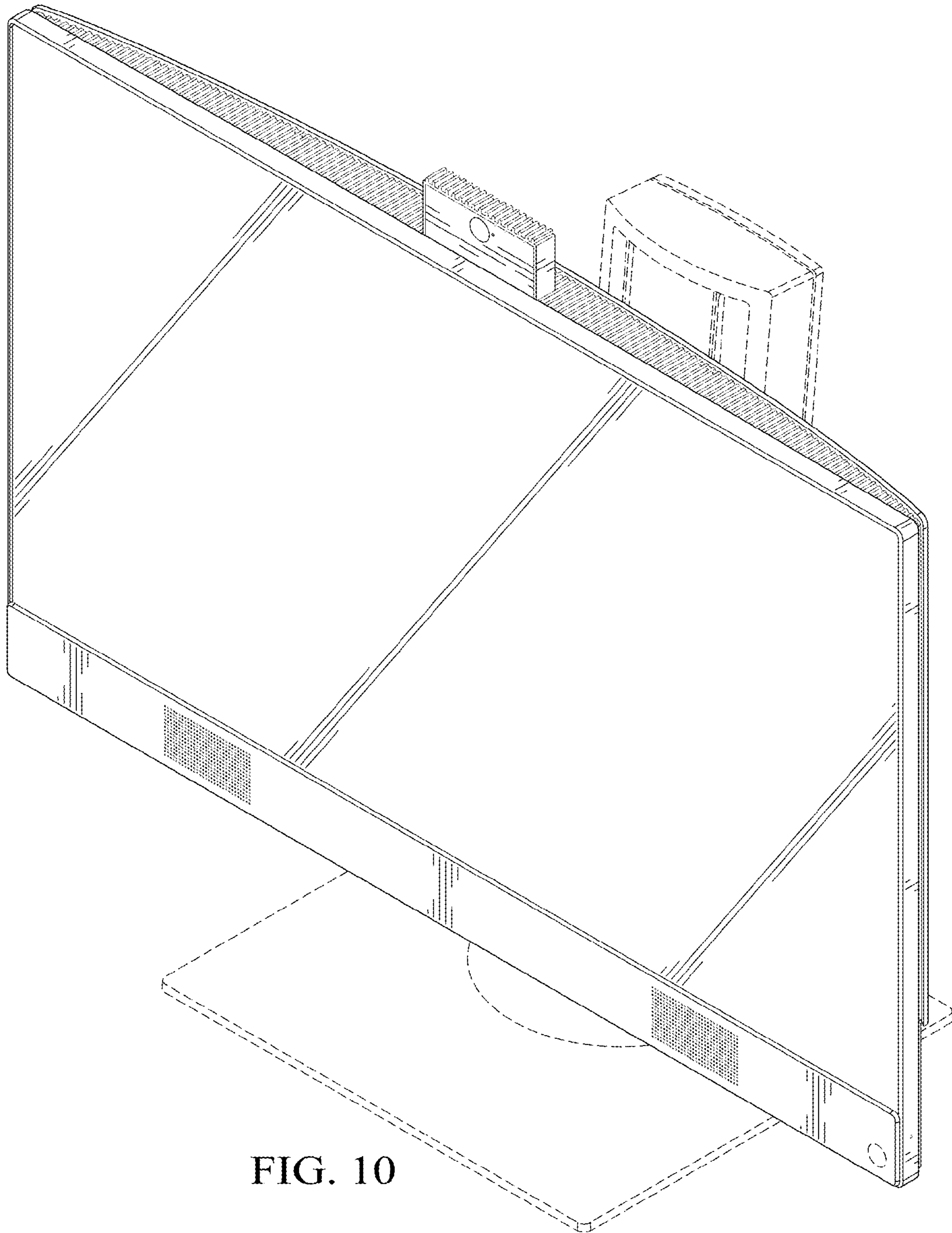


FIG. 10

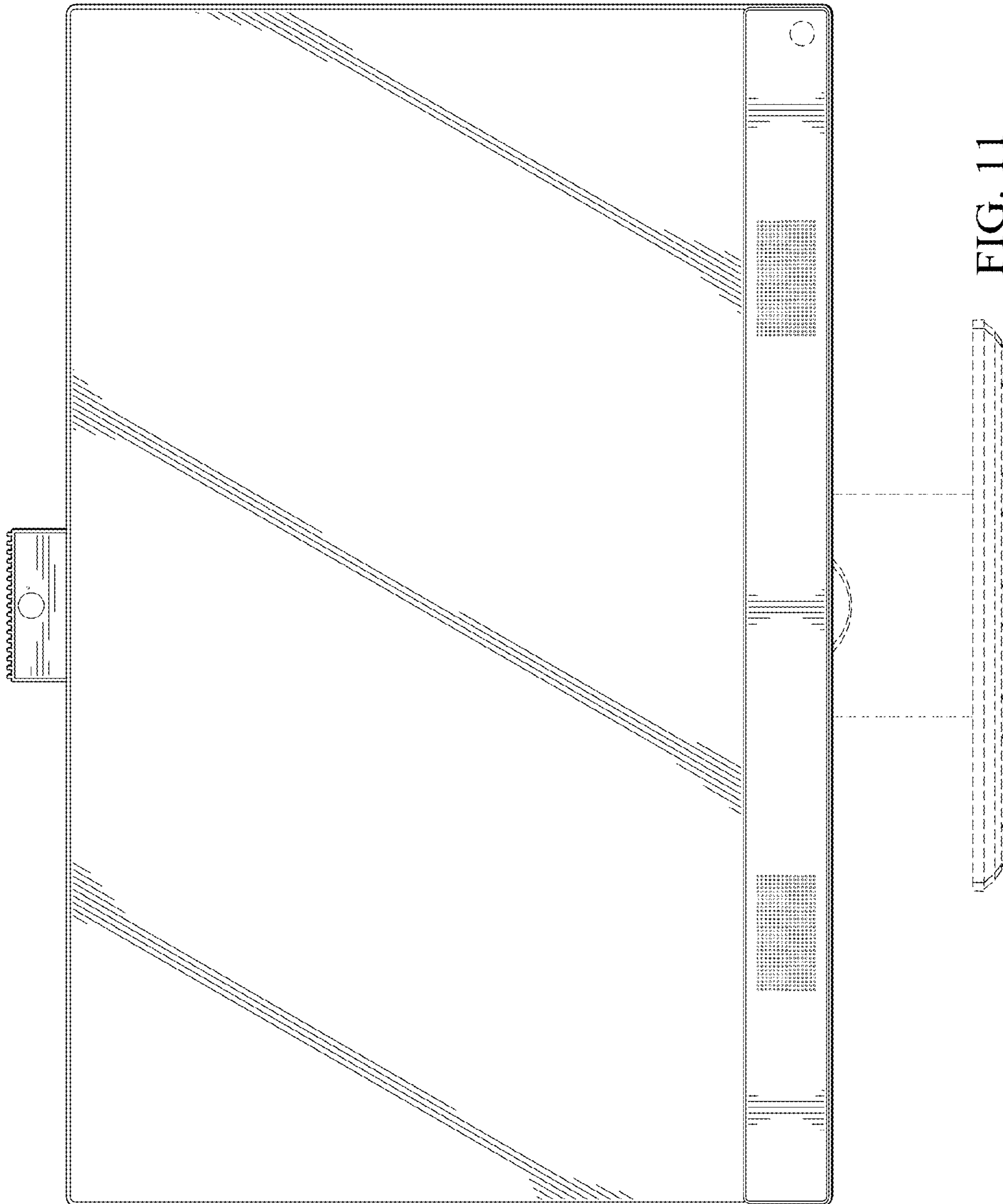


FIG. 11

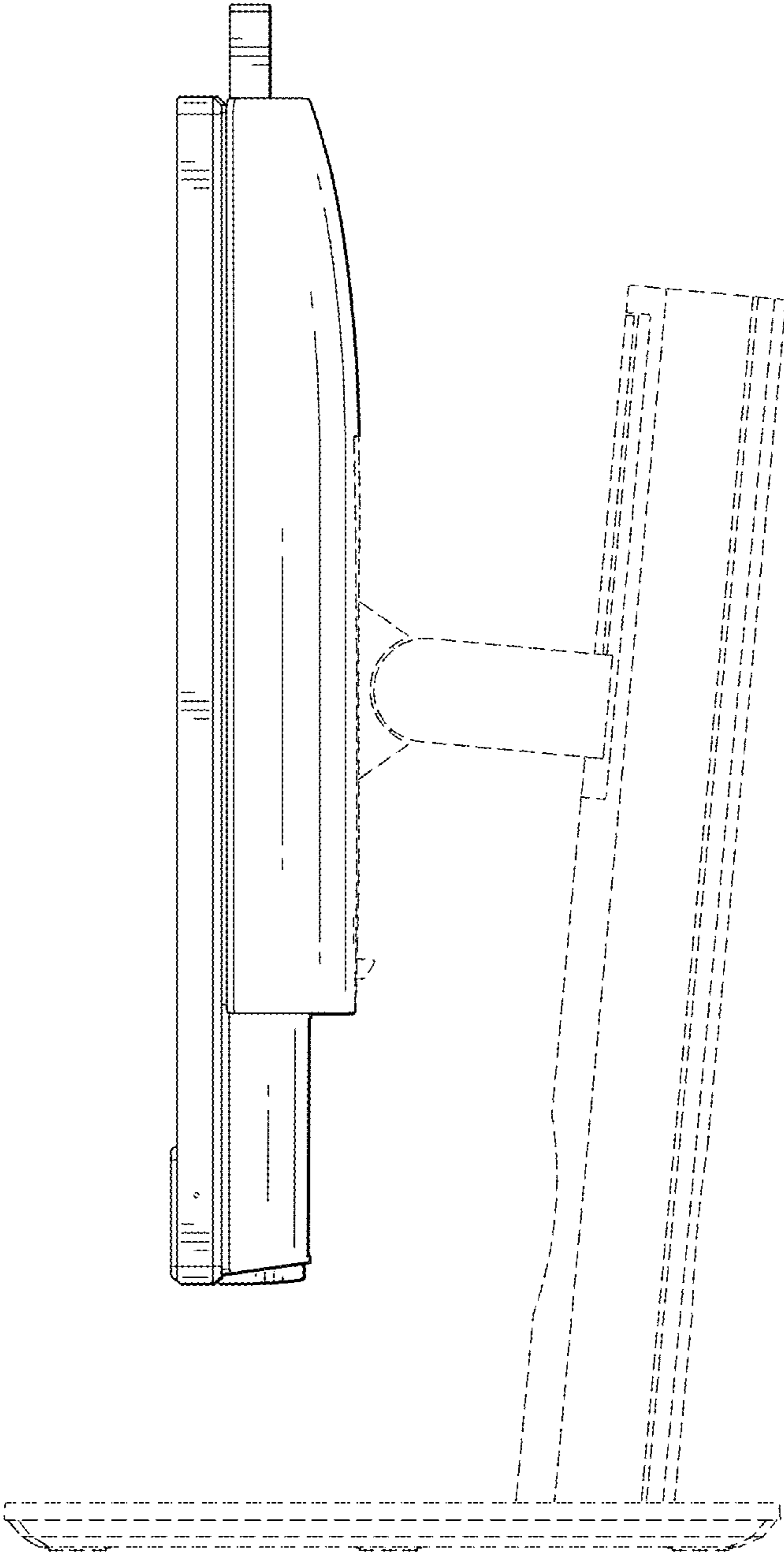


FIG. 12

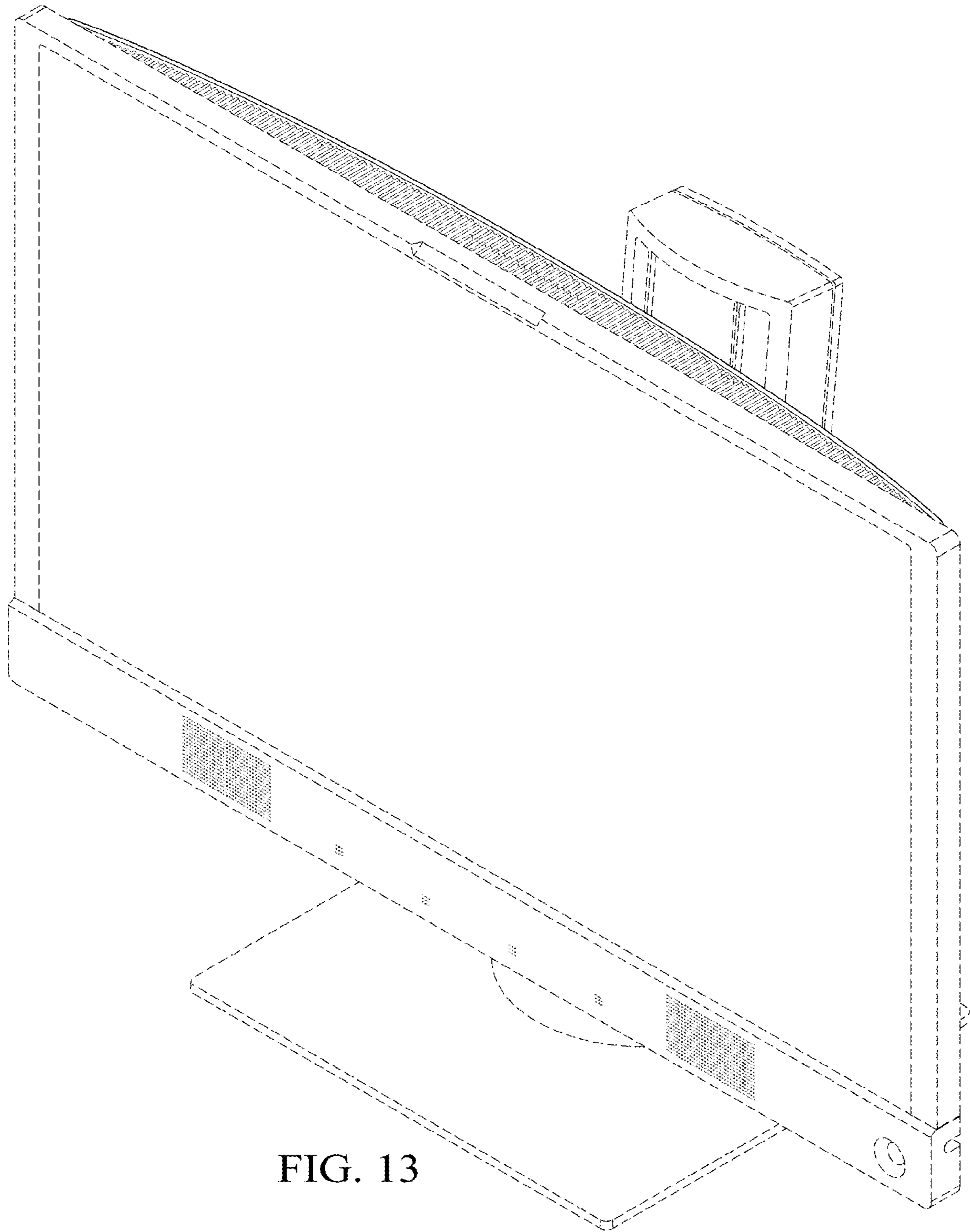


FIG. 13

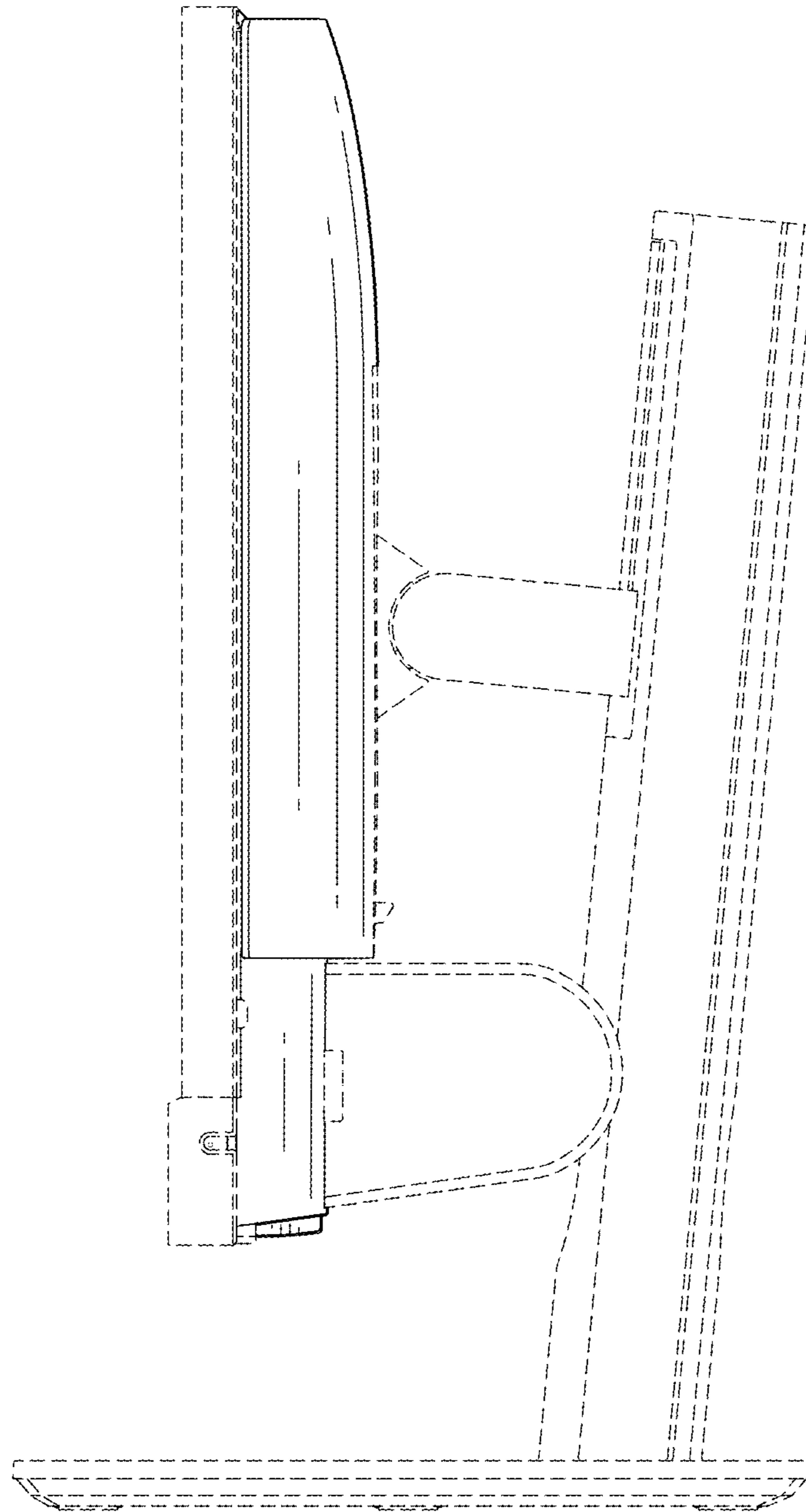


FIG. 14

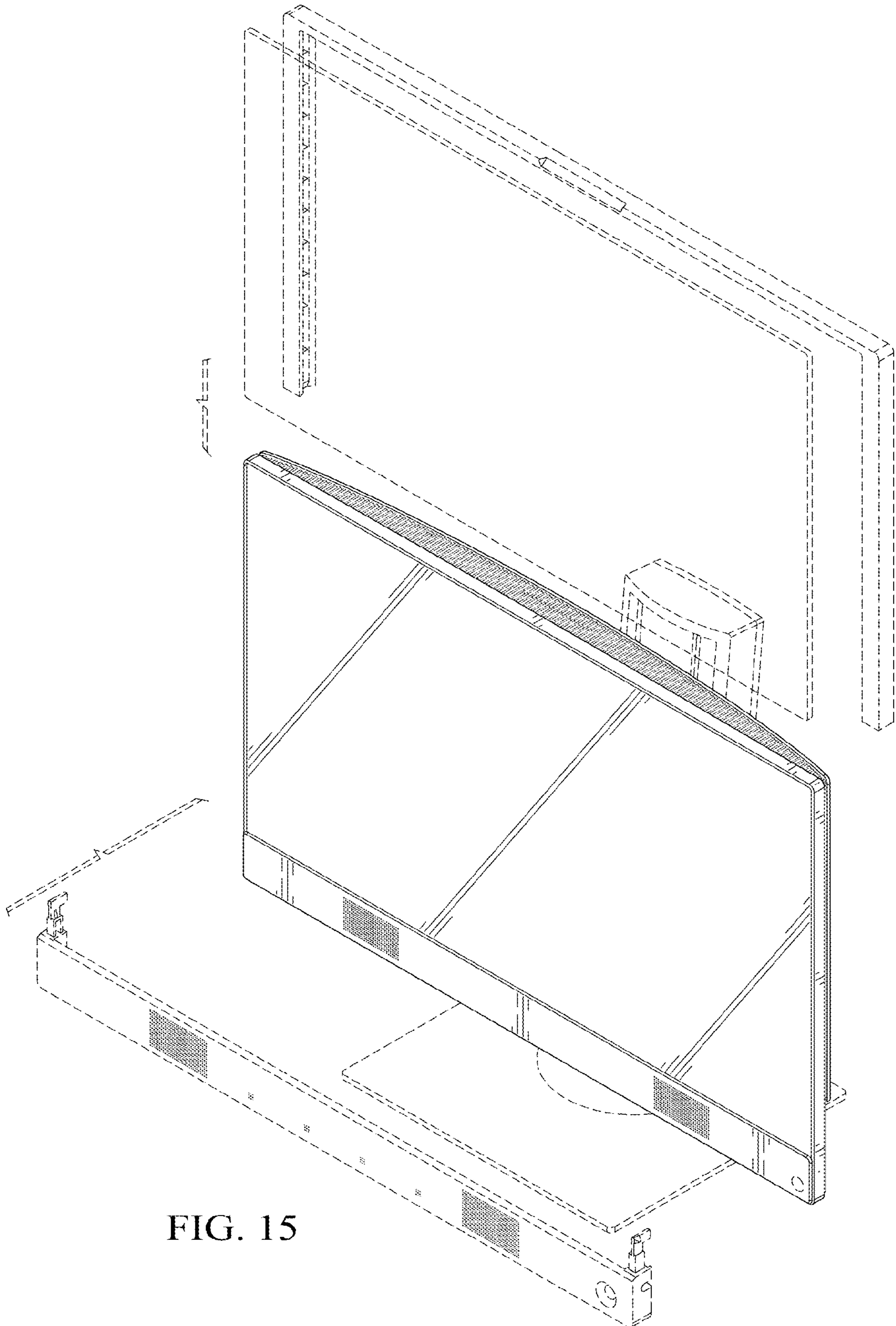


FIG. 15