



US00D888053S

(12) **United States Design Patent**
Rao et al.

(10) **Patent No.:** **US D888,053 S**
(45) **Date of Patent:** **** Jun. 23, 2020**

(54) **WEARABLE ELECTRONIC DEVICE**

(71) Applicant: **YUTOU TECHNOLOGY (HANGZHOU) CO., LTD.**, Hangzhou (CN)

(72) Inventors: **Yi Rao**, San Carlos, CA (US); **Gonglue Jiang**, San Carlos, CA (US); **Kun Li**, San Carlos, CA (US); **Hsien-Yu Li**, San Carlos, CA (US)

(73) Assignee: **YUTOU TECHNOLOGY (HANGZHOU) CO., LTD.**, Hangzhou (CN)

(**) Term: **15 Years**

(21) Appl. No.: **29/675,780**

(22) Filed: **Jan. 4, 2019**

(51) **LOC (12) Cl.** **14-02**

(52) **U.S. Cl.**
USPC **D14/372**

(58) **Field of Classification Search**
USPC D14/372, 496, 432, 371, 125, 126, 129, D14/299; D16/300-342; 351/158, 153, 351/144; 345/7-9, 905; 455/344; 348/115, 53, 121, 739
CPC G02B 27/017; G02B 27/0158; G02B 27/0161; G02B 27/0181; G02B 27/0185; G02B 27/0189

See application file for complete search history.

(56) **References Cited**

U.S. PATENT DOCUMENTS

D766,895 S *	9/2016	Choi	D14/372
D797,735 S *	9/2017	Fraser	D14/372
D800,727 S *	10/2017	Mullins	D14/372
D827,701 S *	9/2018	Nguyen	D16/309
D831,027 S *	10/2018	Kim	D14/372
D833,500 S *	11/2018	Su	D16/130
D839,340 S *	1/2019	Zargari	D16/338

D861,681 S *	10/2019	Chen	D14/372
D861,683 S *	10/2019	Chou	D14/372
D862,464 S *	10/2019	Natsume	D14/372
D862,465 S *	10/2019	Su	D14/372
D862,466 S *	10/2019	He	D14/372
D862,468 S *	10/2019	Chen	D14/372
D864,959 S *	10/2019	Osterhout	D14/372

(Continued)

Primary Examiner — Austin Murphy

(74) *Attorney, Agent, or Firm* — Getech Law LLC; Jun Ye

(57) **CLAIM**

The ornamental design of a wearable electronic device, as shown and described.

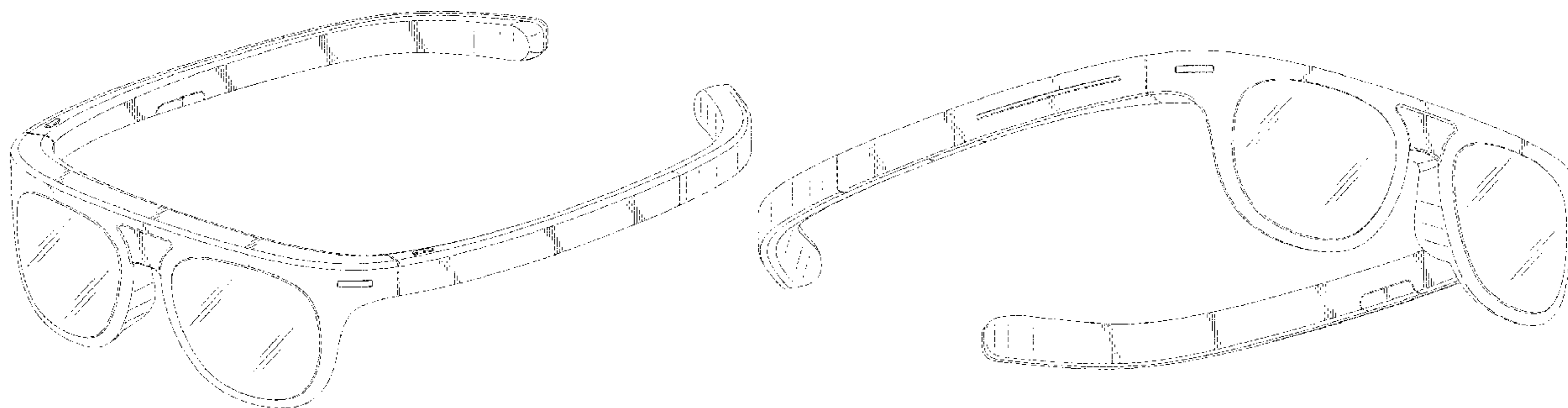
DESCRIPTION

FIG. 1 is a perspective view of a wearable electronic device in accordance with the present invention; FIG. 2 is another perspective view thereof; FIG. 3 is a front view thereof; FIG. 4 is a rear view thereof; FIG. 5 is a right view thereof; FIG. 6 is a left view thereof; FIG. 7 is a top view thereof; and, FIG. 8 is a bottom view thereof.

The features shown in broken lines in the various Figures are for illustrating environmental structure and form no part of the claimed design. The surfaces of the wearable electronic device are not limited to any color designations.

Generally, the invention pertains to an ornamental design for an article of manufacture. The article is not limited to the scale shown herein. As indicated in the title, the article of manufacture to which the ornamental design has been applied is a wearable electronic device, media player (e.g., music, video and/or game player), media storage device, a voice-controlled assistant, an augmented reality (AR) display, a virtual reality (VR) display, a communication device, a novelty item or toy.

1 Claim, 8 Drawing Sheets



(56)

References Cited

U.S. PATENT DOCUMENTS

D870,727 S * 12/2019 Nie D14/372
2016/0057339 A1 * 2/2016 Raffle H04N 5/23219
348/222.1

* cited by examiner

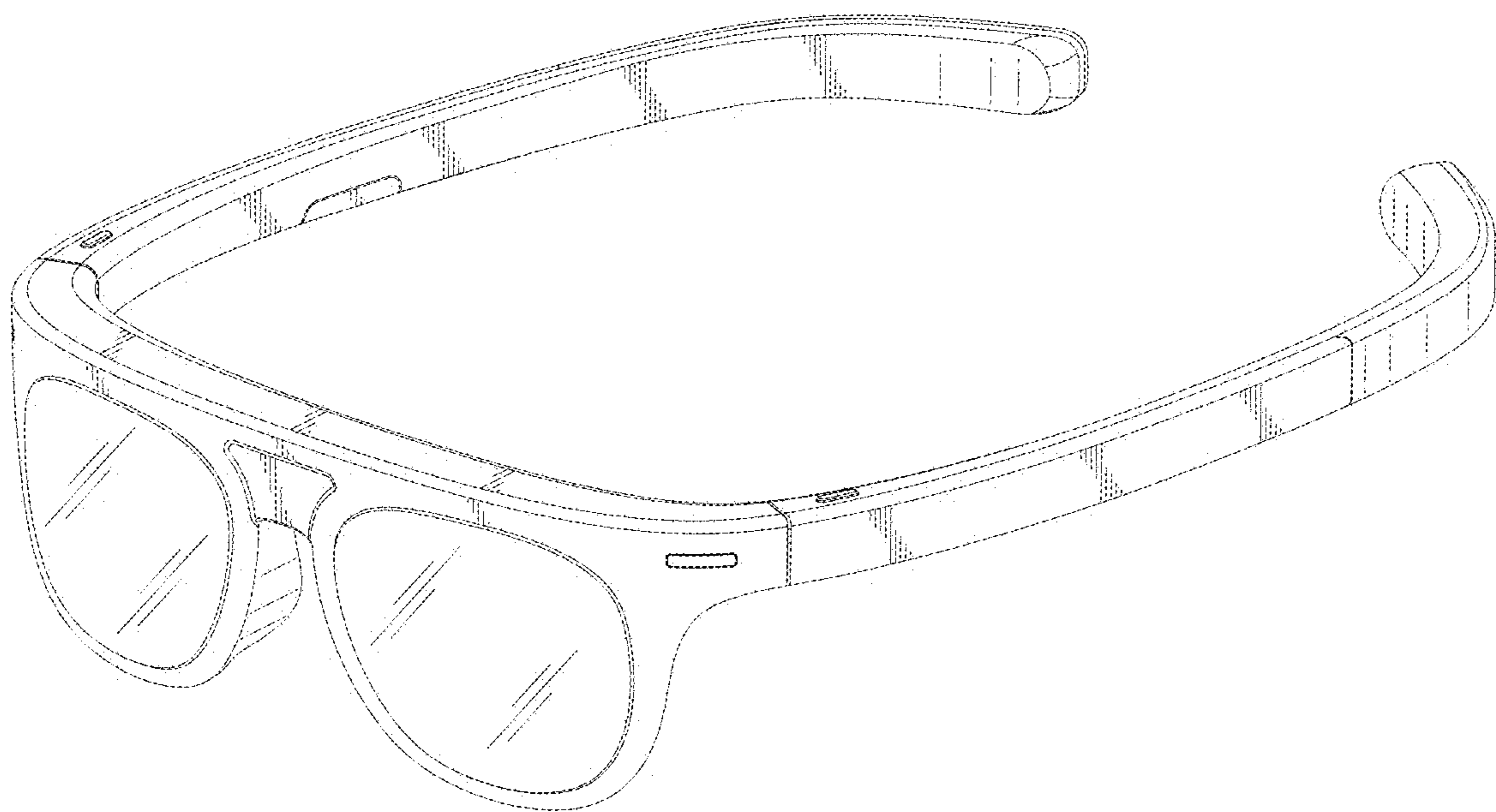


FIG. 1

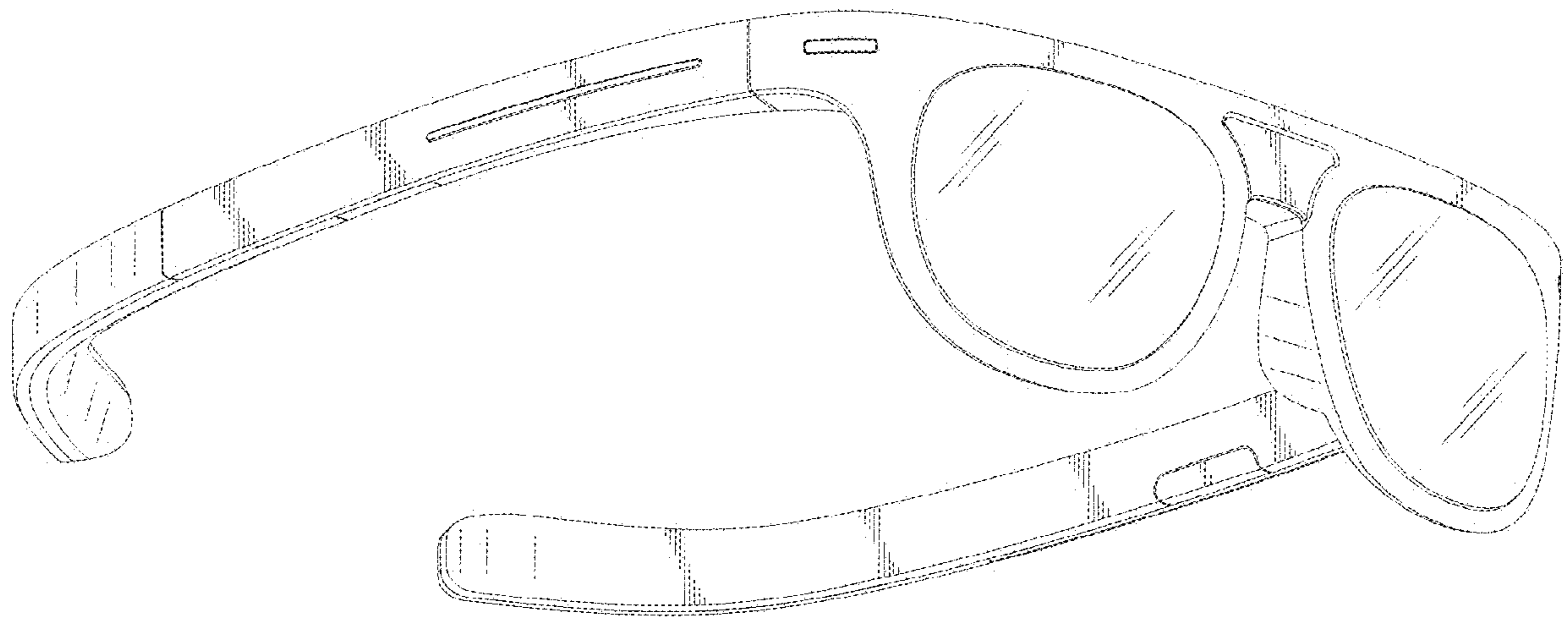


FIG. 2

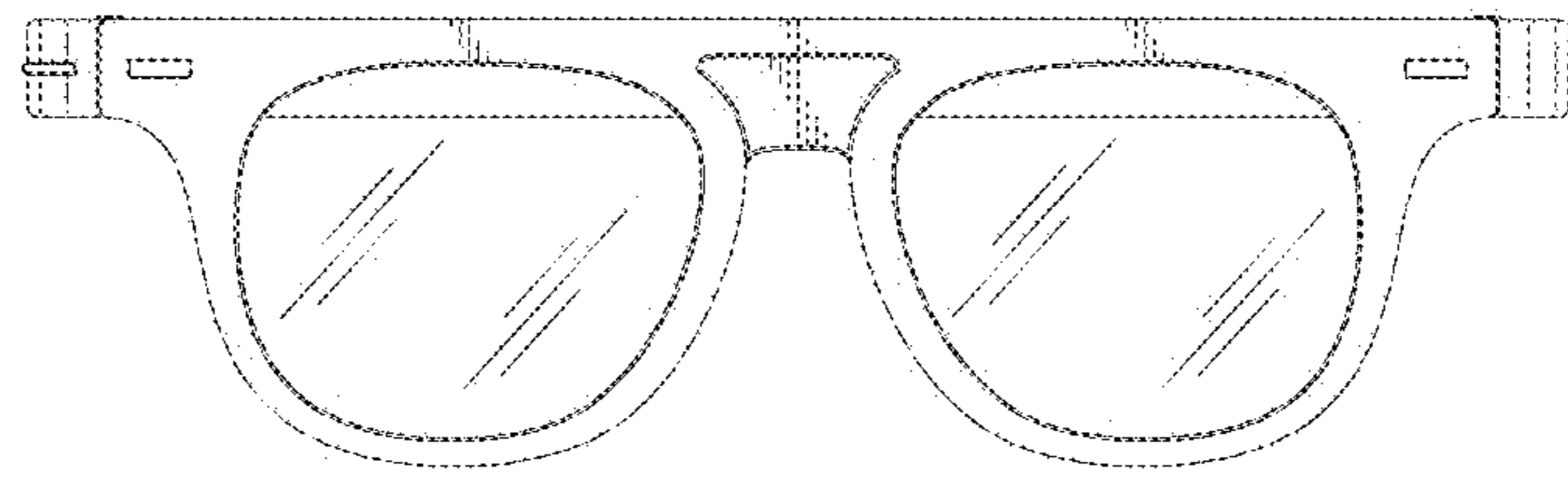


FIG. 3

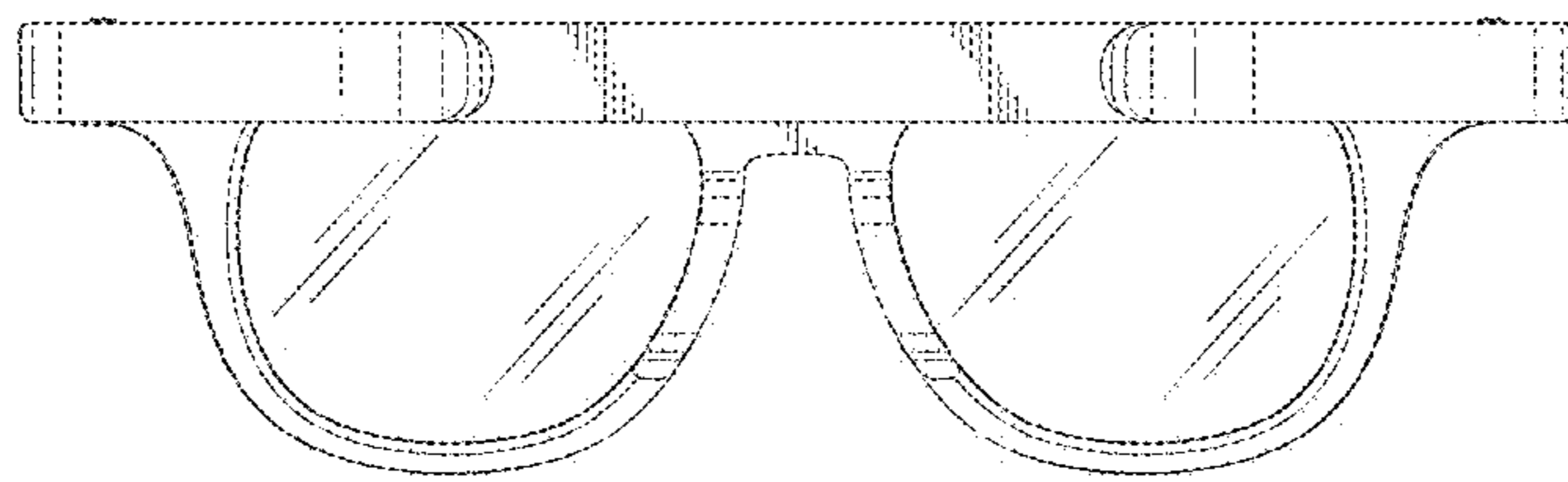


FIG. 4

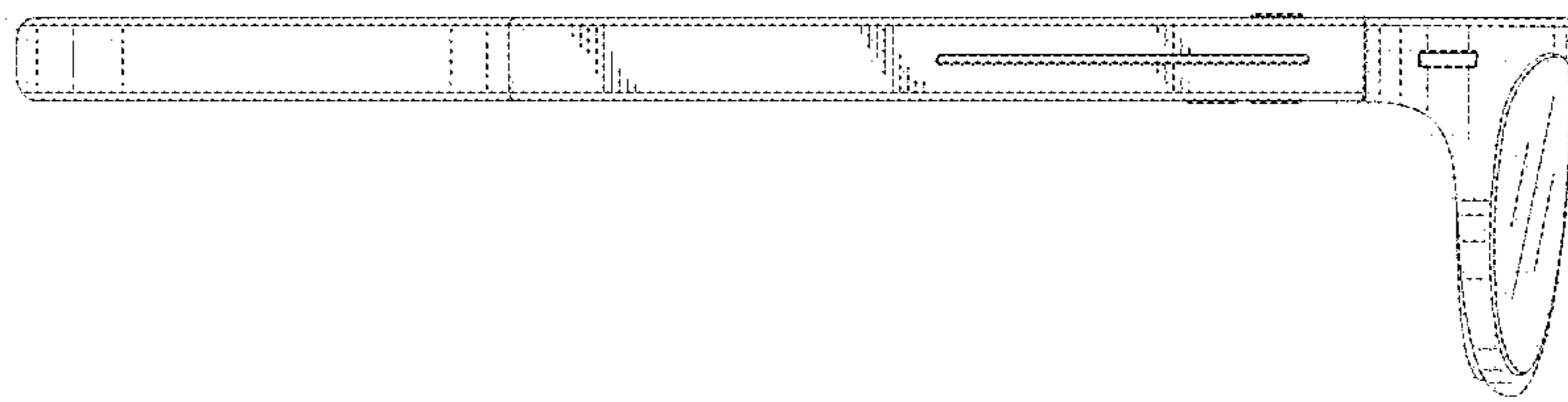


FIG. 5

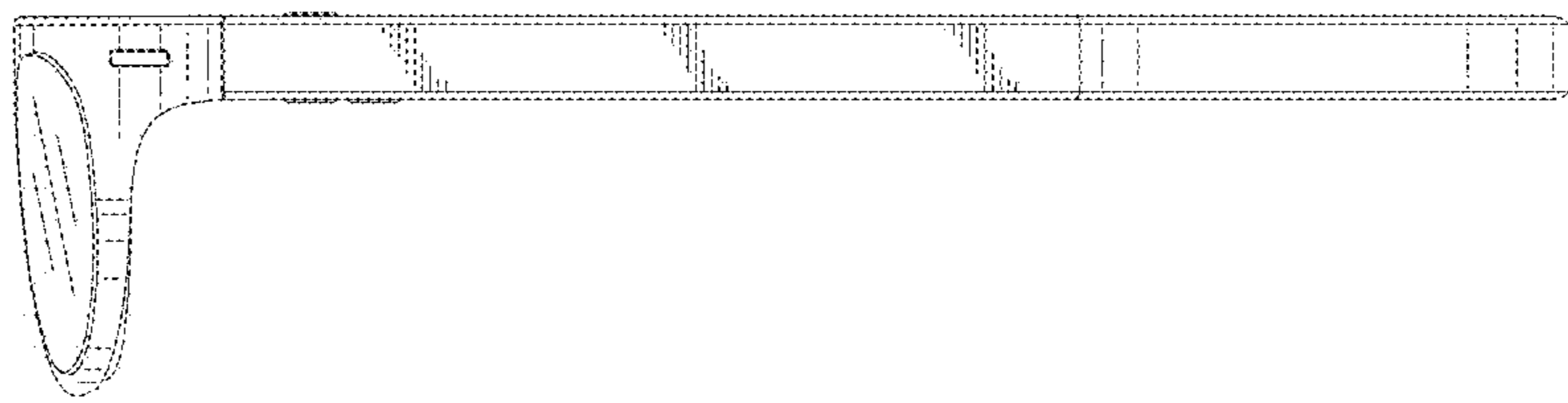


FIG. 6

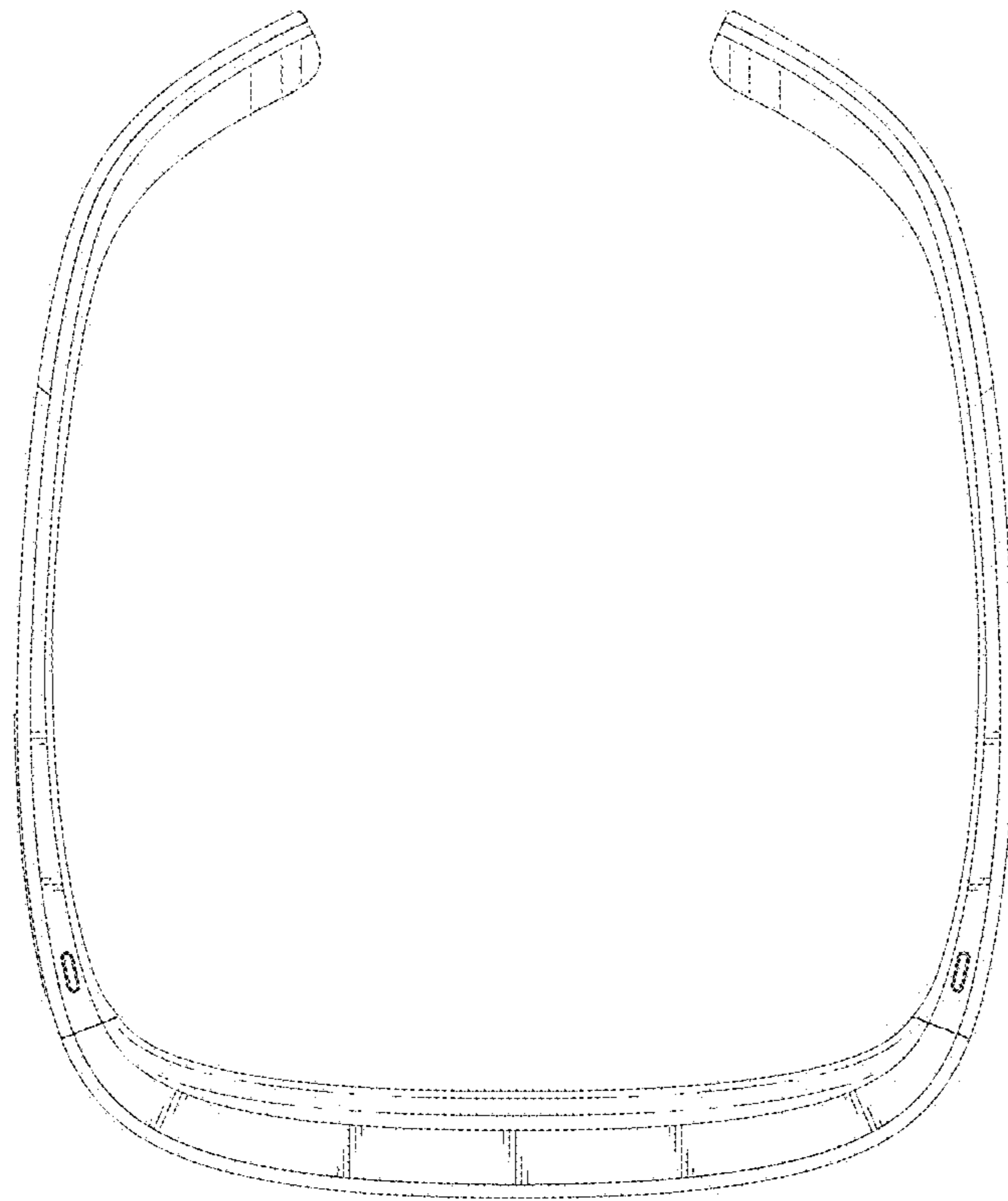


FIG. 7

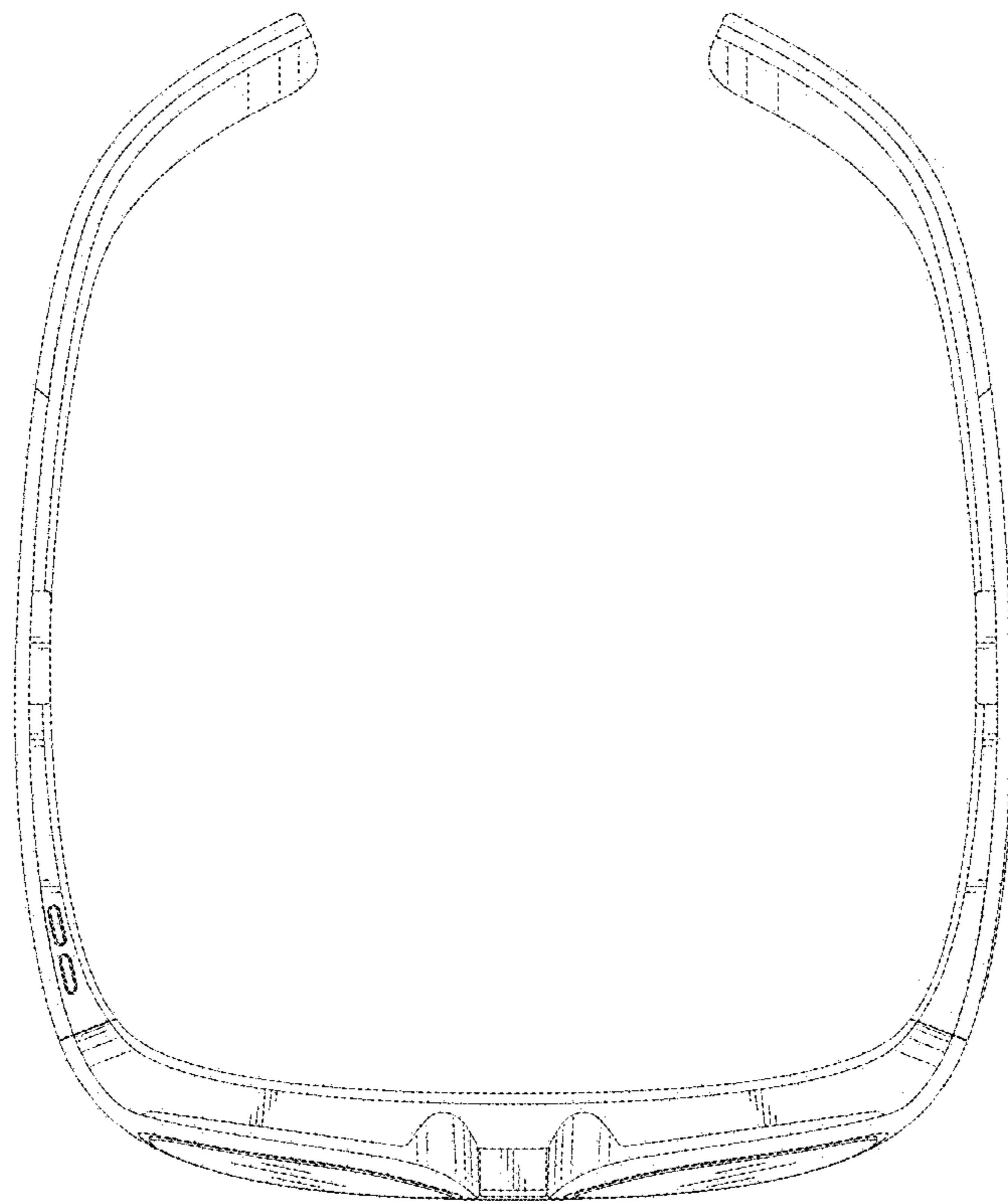


FIG. 8