



US00D888045S

(12) **United States Design Patent**
Hu

(10) **Patent No.:** **US D888,045 S**
(45) **Date of Patent:** **** Jun. 23, 2020**

(54) **MOBILE PHONE STAND**

(71) Applicants: **SHENZHEN QIANHAI PATUOXUN NETWORK AND TECHNOLOGY CO., LTD**, Shenzhen (CN);
DONGGUAN CHUANG LONG ELECTRONICS LTD, Dongguan (CN)

(72) Inventor: **Zaihui Hu**, Shenzhen (CN)

(73) Assignees: **SHENZHEN QIANHAI PATUOXUN NETWORK AND TECHNOLOGY CO., LTD**, Shenzhen (CN);
DONGGUAN CHUANG LONG ELECTRONICS LTD, Dongguan (CN)

(**) Term: **15 Years**

(21) Appl. No.: **29/720,980**

(22) Filed: **Jan. 16, 2020**

(30) **Foreign Application Priority Data**

Jul. 19, 2019 (EM) 006635736-0001

(51) **LOC (12) Cl.** **14-03**

(52) **U.S. Cl.**
USPC **D14/253**

(58) **Field of Classification Search**
USPC D14/251–253, 447, 452, 432–434, 440;
D12/415; D3/218, 144; D8/349, 363
CPC H04M 1/02; H04M 1/04; B60R 11/02;
F16M 11/00; F16M 11/04; F16M 11/06
See application file for complete search history.

(56) **References Cited**

U.S. PATENT DOCUMENTS

5,988,572 A * 11/1999 Chivallier B60R 11/0241
224/929
6,840,485 B2 * 1/2005 Richter B60R 11/00
248/311.2

D522,843 S * 6/2006 Richter D8/363
D559,227 S * 1/2008 Kim D14/155
D588,903 S * 3/2009 Carnevali D8/355
D654,054 S * 2/2012 Kohte F16M 11/041
D14/217
D657,783 S * 4/2012 Mo D14/251
D669,065 S 10/2012 Fromm
D696,674 S * 12/2013 Vogel D14/447
D711,322 S * 8/2014 McSweyn D13/144

(Continued)

Primary Examiner — Janice Hallmark

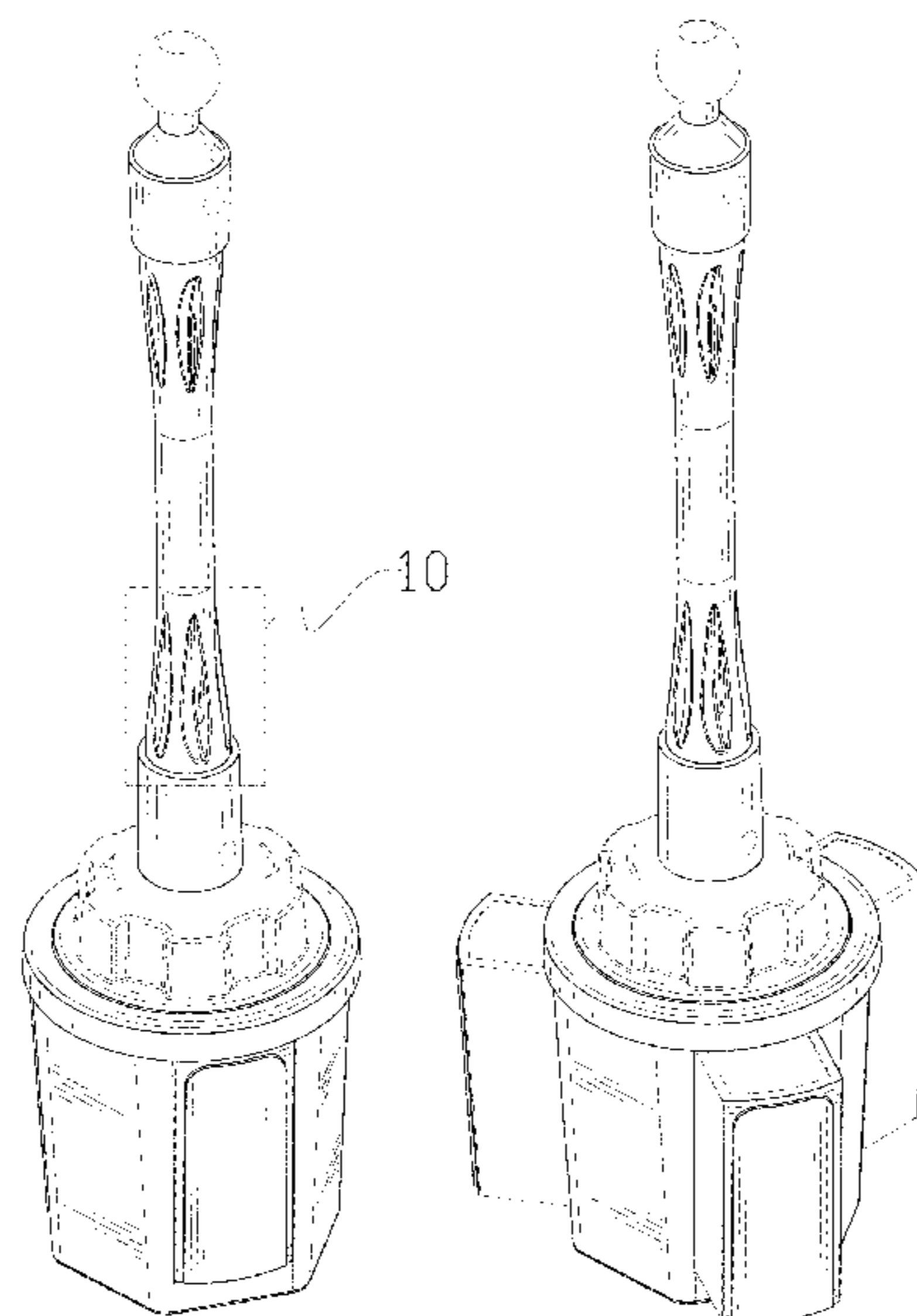
(57) **CLAIM**

The ornamental design for a mobile phone stand, as shown and described.

DESCRIPTION

FIG. 1 is a perspective view of a mobile phone stand showing my new design;
FIG. 2 is another perspective thereof;
FIG. 3 is a front elevational view thereof;
FIG. 4 is a rear elevational view thereof;
FIG. 5 is a left side elevational view thereof;
FIG. 6 is a right side elevational view thereof;
FIG. 7 is a top plan view thereof;
FIG. 8 is a bottom plan view thereof;
FIG. 9 is a perspective view of the mobile phone stand where the phone stand is in a configuration of use;
FIG. 10 is an enlarged view of portion 10 shown in FIG. 1;
FIG. 11 is an enlarged view of portion 11 shown in FIG. 3;
and,
FIG. 12 is an enlarged view of portion 12 shown in FIG. 4.
The broken lines in the drawings depict portions of the mobile phone stand that form no part of the claimed design.

1 Claim, 12 Drawing Sheets



(56)

References Cited

U.S. PATENT DOCUMENTS

8,870,146 B2 * 10/2014 Vogel F16M 11/14
248/371
D731,973 S * 6/2015 Liu D13/144
D732,519 S * 6/2015 Aspinall D14/253
D777,675 S * 1/2017 Miller D13/144
D850,436 S * 6/2019 Vogel D14/253
D859,315 S 9/2019 Zhong
D860,217 S * 9/2019 Khubani D14/447
D873,261 S * 1/2020 Yin D14/253
2005/0092875 A1 * 5/2005 Carnevali F16M 11/40
248/160
2011/0255226 A1 * 10/2011 Duncan Seil B60R 11/02
361/679.01
2014/0054338 A1 * 2/2014 Casagrande B60R 11/02
224/275

* cited by examiner

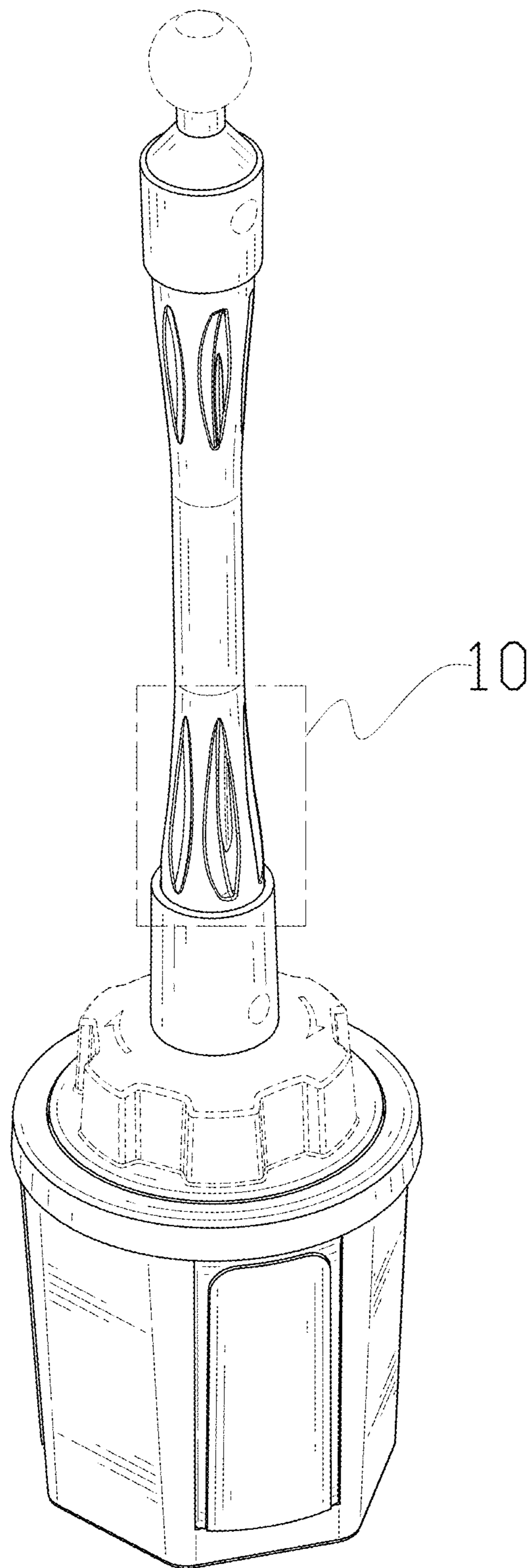


FIG. 1

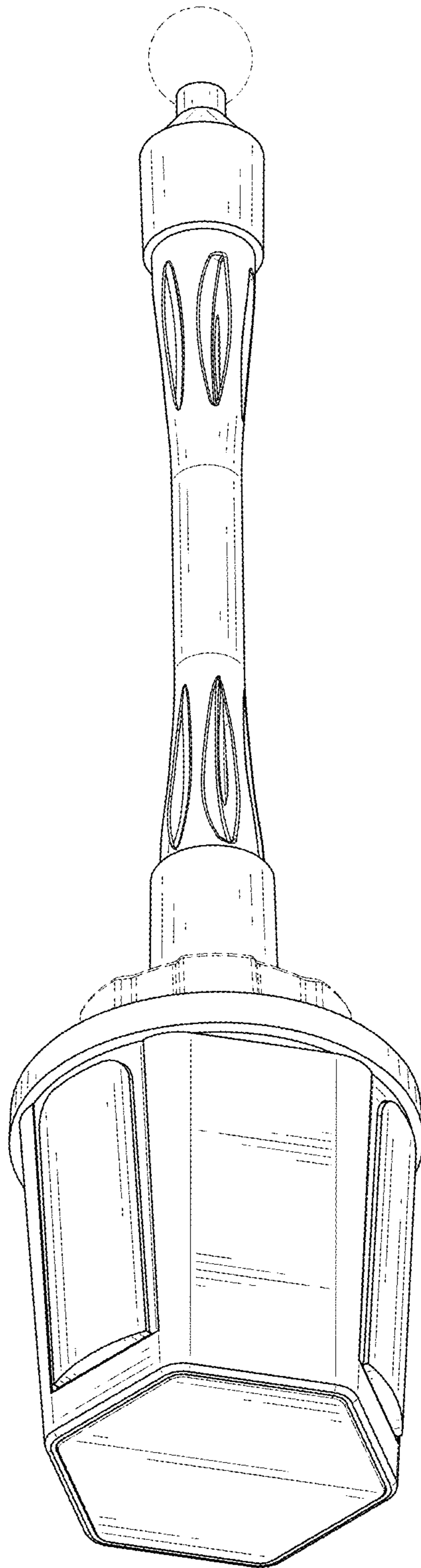


FIG. 2

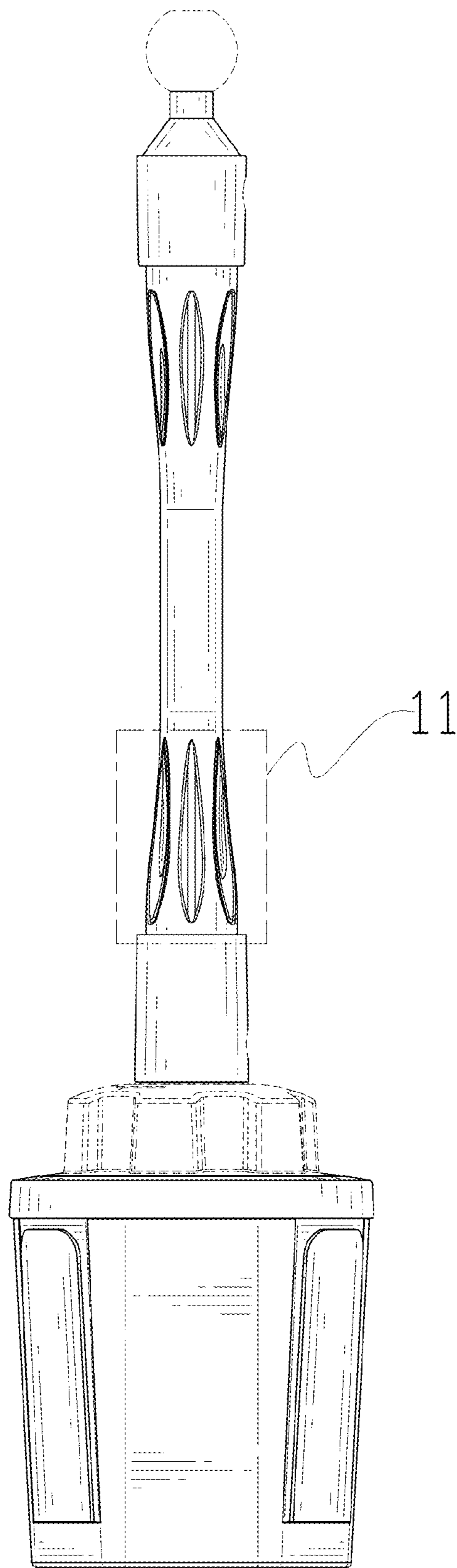


FIG. 3

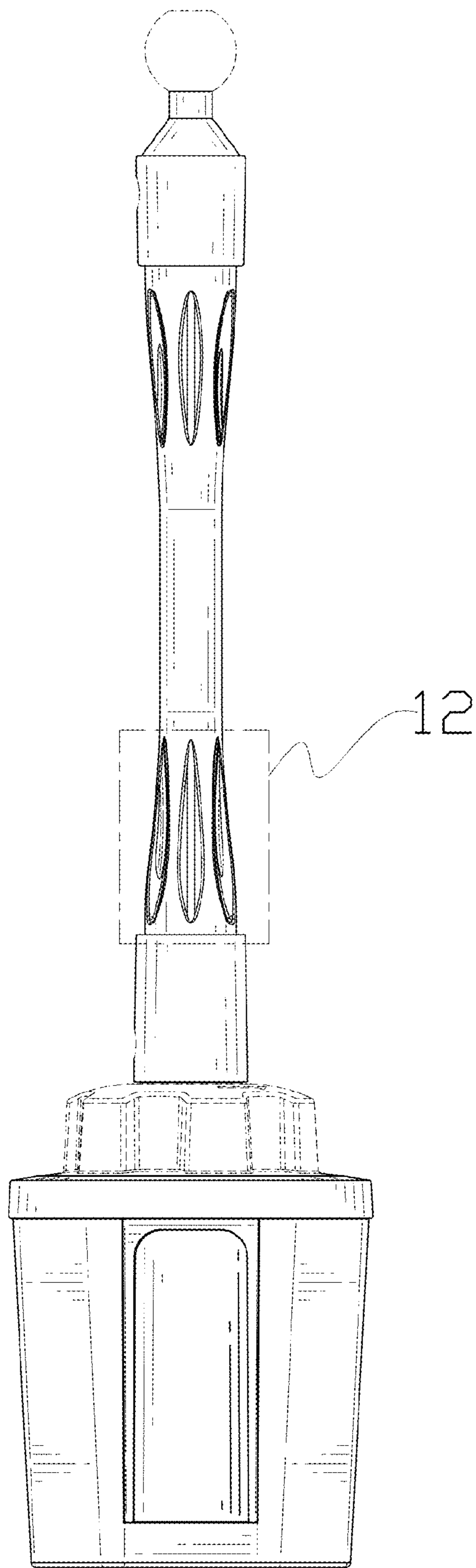


FIG. 4

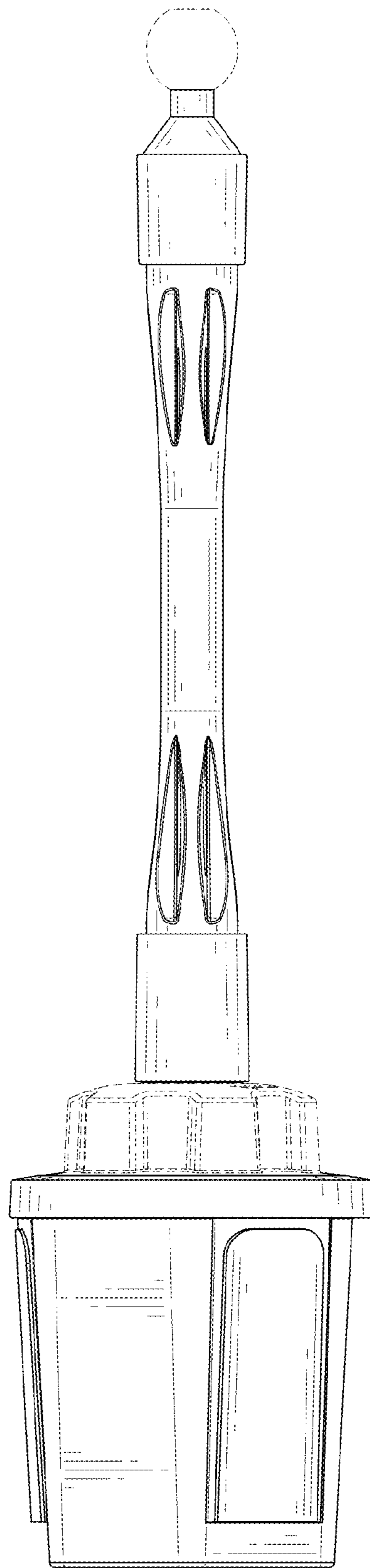


FIG. 5

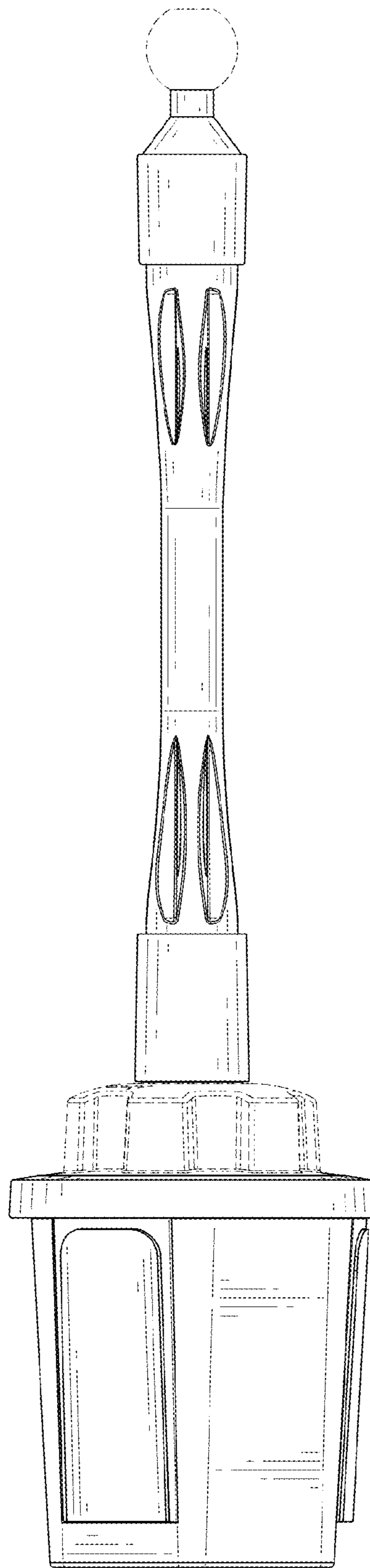


FIG. 6

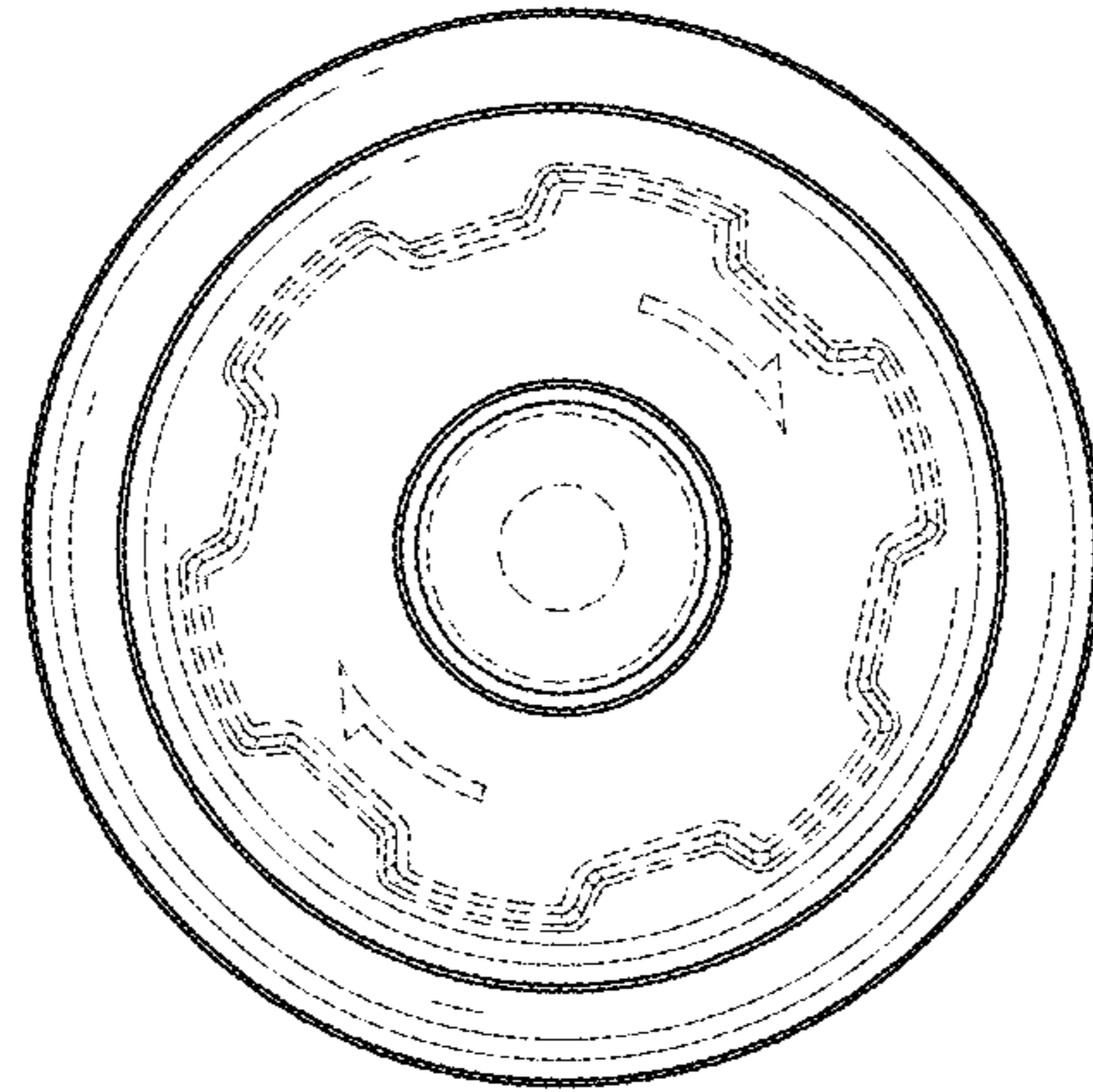


FIG. 7

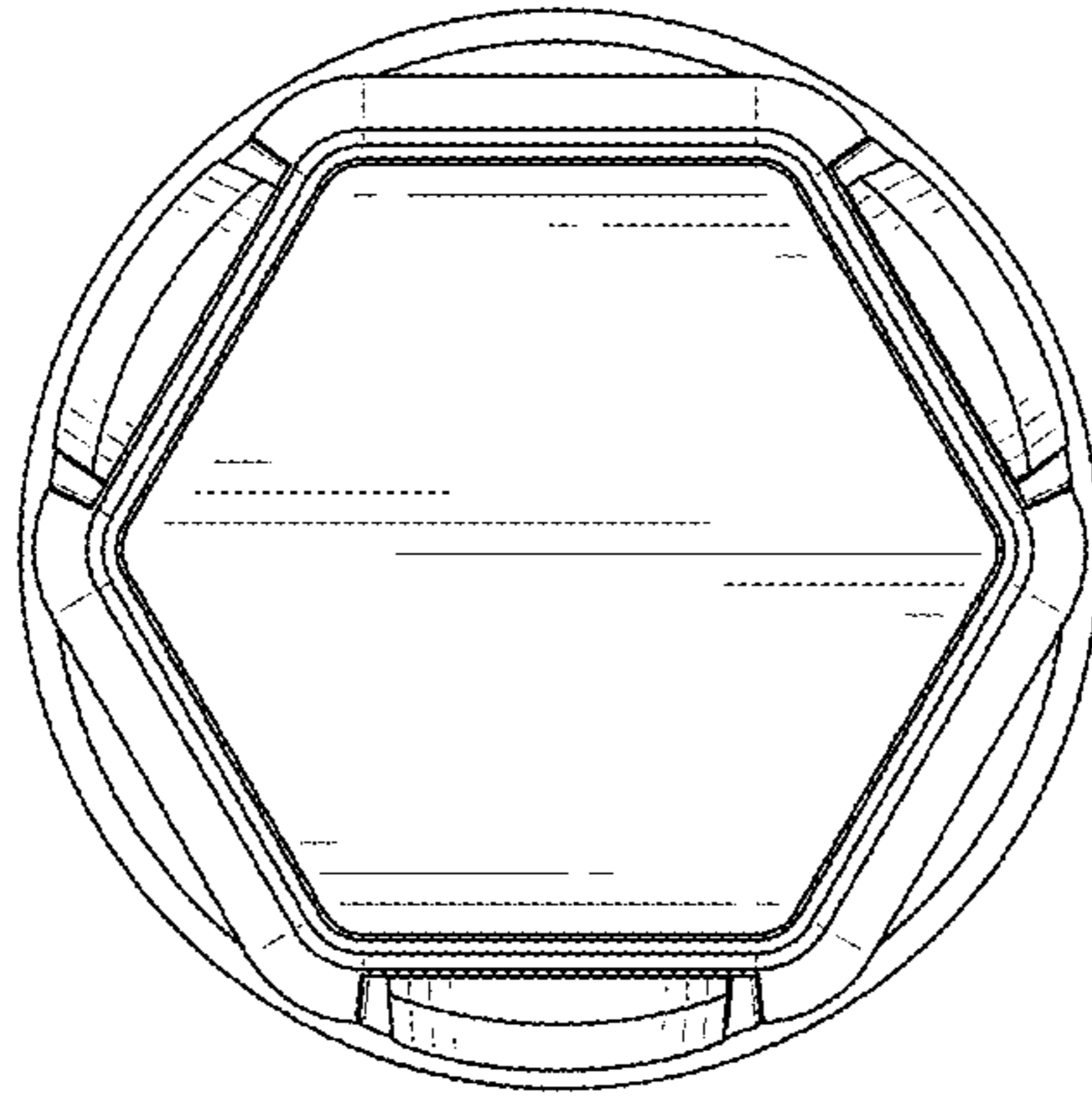


FIG. 8

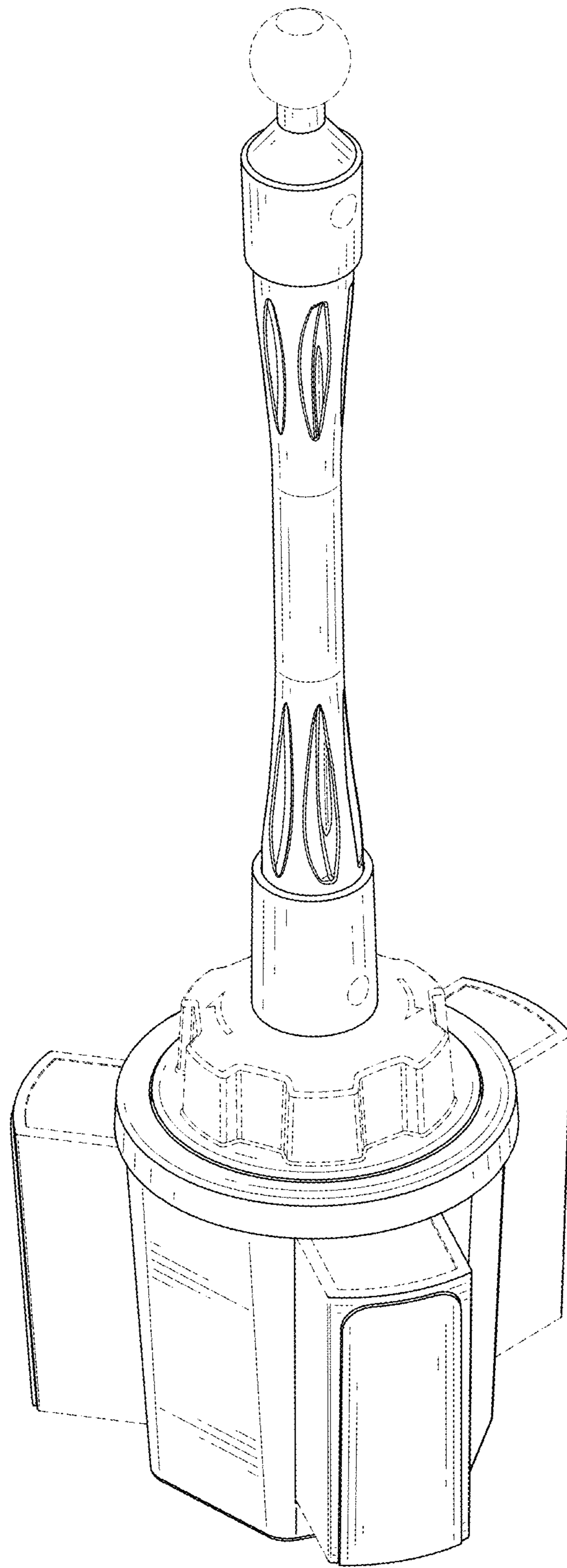


FIG. 9



FIG. 10



FIG. 11

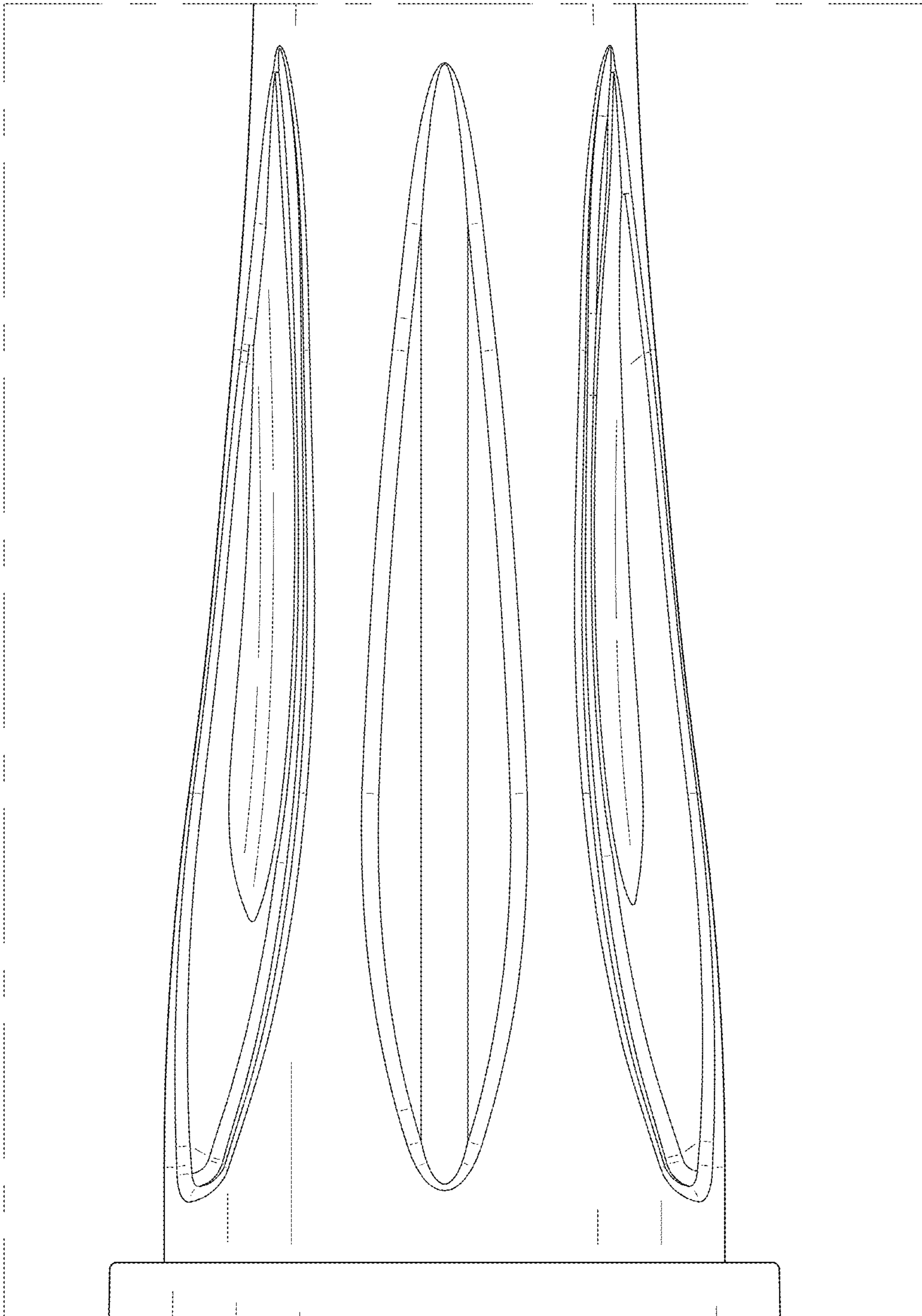


FIG. 12