



US00D888044S

(12) **United States Design Patent**
Clemens

(10) **Patent No.:** **US D888,044 S**
(45) **Date of Patent:** **** Jun. 23, 2020**

(54) **COMBINED ELECTRONIC DEVICE
HOLDER AND WALL PLATE**

(71) Applicant: **Immanent Products, LLC**, Los Angeles, CA (US)

(72) Inventor: **Claudia Clemens**, Los Angeles, CA (US)

(73) Assignee: **IMMANENT PRODUCTS, LLC**, Los Angeles, CA (US)

(**) Term: **15 Years**

(21) Appl. No.: **29/634,325**

(22) Filed: **Jan. 19, 2018**

(51) **LOC (12) Cl.** **14-99**

(52) **U.S. Cl.**
USPC **D14/252; D8/353**

(58) **Field of Classification Search**
USPC D14/251-254, 217, 224, 224.1, 238.1, D14/299, 434, 447, 451-452, 483; D12/400, 415-426, 426.1, 114, 223; D8/394, 350, 353; D6/513, 553, 567; D3/218; D16/242, 245; D10/74; D13/108

CPC B60R 11/00; B60R 11/02; B60R 11/0241; B60R 11/0252; B60R 2011/0005; B60R 2011/0008; H04M 1/026; H04M 1/0266; H04B 1/3877; A45F 2200/0516; A45F 2200/0525; H05K 5/0204; F16M 13/02; F16M 13/022; F16M 13/04; F16M 11/04; F16M 11/041; F16B 2/12; H01F 7/0252; G03B 17/561; G03B 17/563

See application file for complete search history.

(56) **References Cited**

U.S. PATENT DOCUMENTS

D276,228 S * 11/1984 Bartley D14/142
5,539,821 A * 7/1996 Blonder H02J 7/0044
379/446

D391,296 S * 2/1998 Hill, Sr. D19/86
D416,908 S * 11/1999 Whisenant D13/177
6,130,384 A * 10/2000 Esteves A47G 25/0607
174/66
6,969,803 B1 * 11/2005 Friedberg H02G 3/14
174/66
D549,171 S * 8/2007 Sbordon, Jr. D13/108
D564,860 S * 3/2008 Levin D8/350
D585,942 S * 2/2009 Chen D19/90
7,812,257 B2 * 10/2010 Gunderman H04M 19/08
174/66

(Continued)

Primary Examiner — Jeffrey D Asch

Assistant Examiner — Rebekah A Caruso

(74) *Attorney, Agent, or Firm* — Nixon Peabody LLP

(57) **CLAIM**

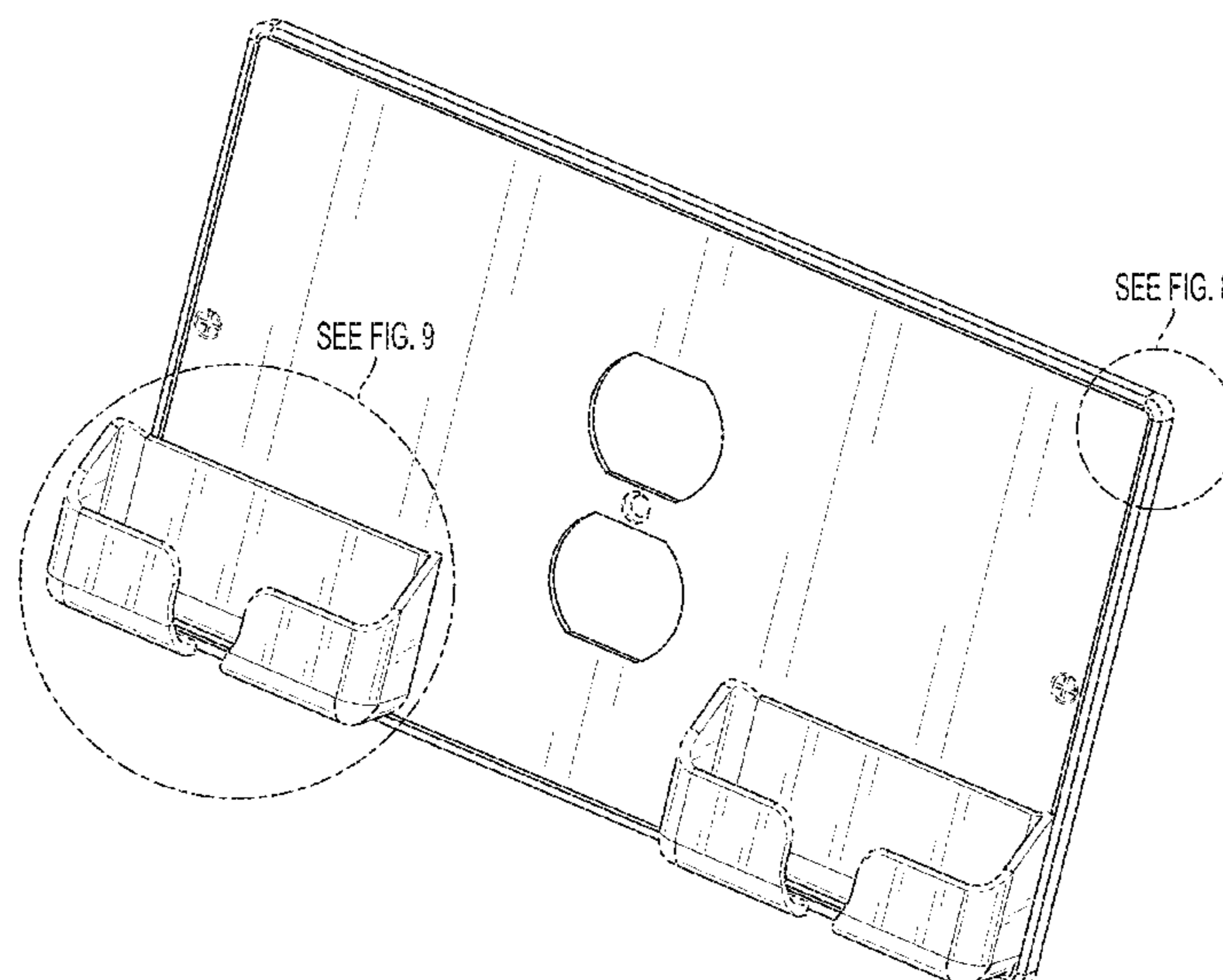
I claim the ornamental design for a combined electronic device holder and wall plate, as shown and described.

DESCRIPTION

FIG. 1 is a front perspective view of a combined electronic device holder and wall plate.
FIG. 2 is a front view thereof.
FIG. 3 is a back view thereof.
FIG. 4 is a side view thereof.
FIG. 5 is an opposite side view thereof.
FIG. 6 is a top view thereof.
FIG. 7 is a bottom view thereof.
FIG. 8 is an enlarged partial view of FIG. 1; and,
FIG. 9 is an enlarged partial view of FIG. 1.

The main surface of the wall plate is recessed from the outer frame of the wall plate in the front view. The evenly spaced broken lines depict portions of the article that form no part of the claimed design. The dash-dot-dash broken lines in FIG. 1 define the isolated regions shown in the FIGS. 8 and 9 enlarged partial views and form no part of the claimed design.

1 Claim, 9 Drawing Sheets



(56)

References Cited

U.S. PATENT DOCUMENTS

8,456,131 B2 * 6/2013 Bukow H02J 7/0044
320/110
D688,065 S * 8/2013 Emerson D6/567
D688,201 S * 8/2013 Mecca D13/108
D688,202 S * 8/2013 Mecca D13/108
D733,114 S * 6/2015 Dobben D14/251
9,065,263 B2 * 6/2015 Porcano H02G 3/14
9,122,449 B2 * 9/2015 DeSilva G06F 1/1632
2002/0043960 A1 * 4/2002 Janik G06F 1/1632
320/128
2007/0227755 A1 * 10/2007 Wu H01R 13/72
174/67
2008/0272258 A1 * 11/2008 Wysoczynski F16M 13/00
248/309.1
2014/0103179 A1 * 4/2014 Lipke H02G 3/14
248/231.91
2015/0212544 A1 * 7/2015 Chen G06F 1/1632
361/679.41

* cited by examiner

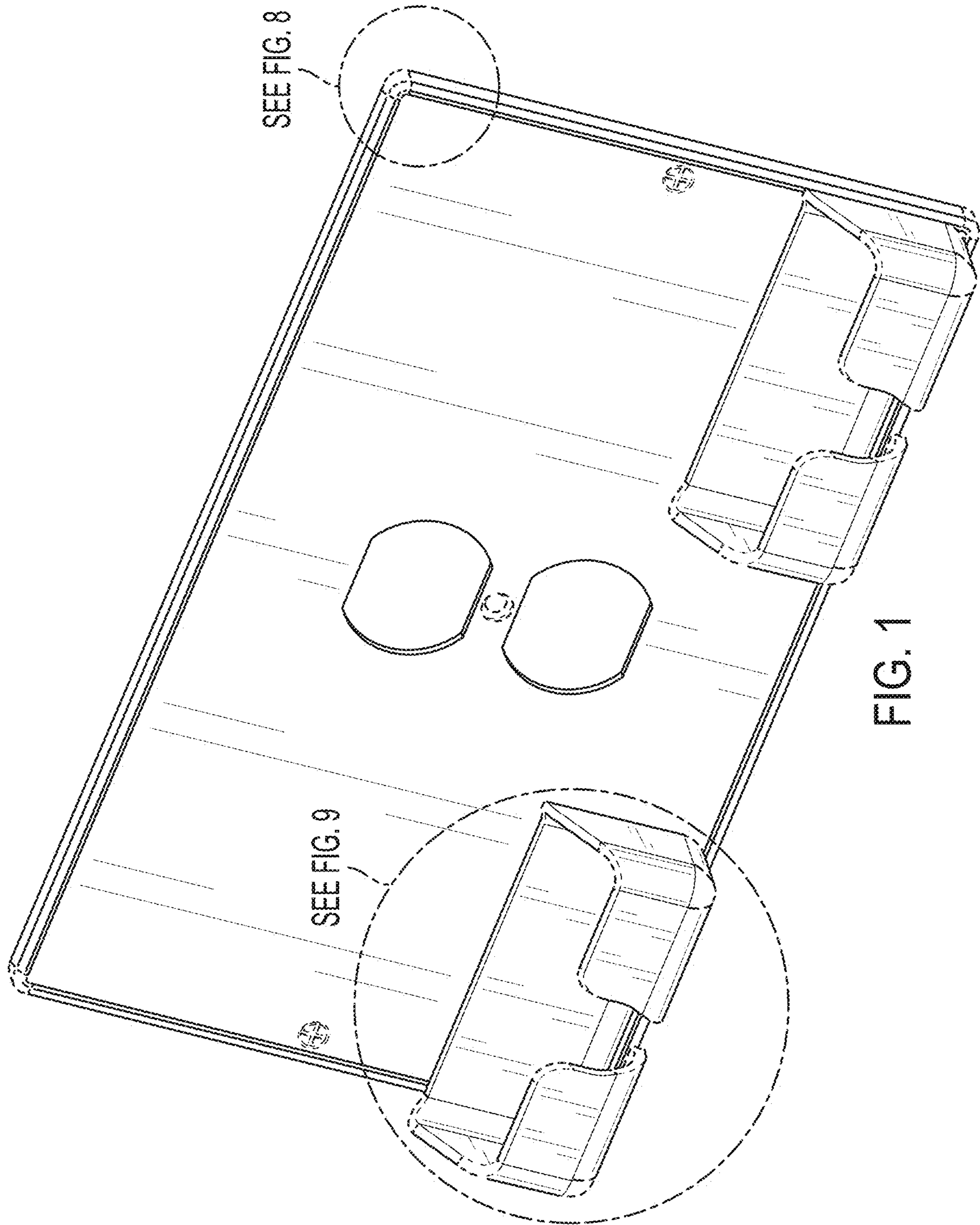


FIG. 1

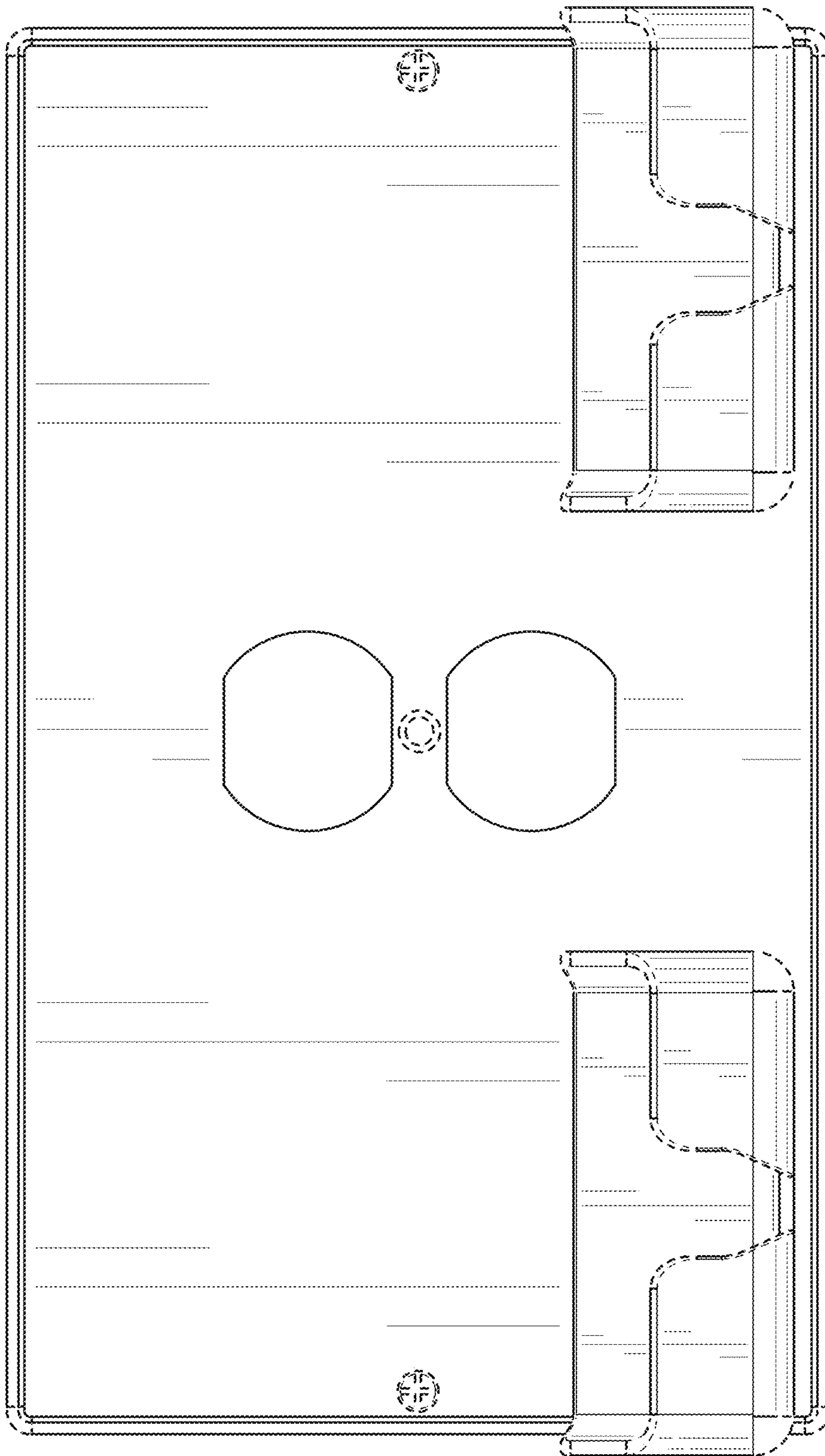


FIG. 2

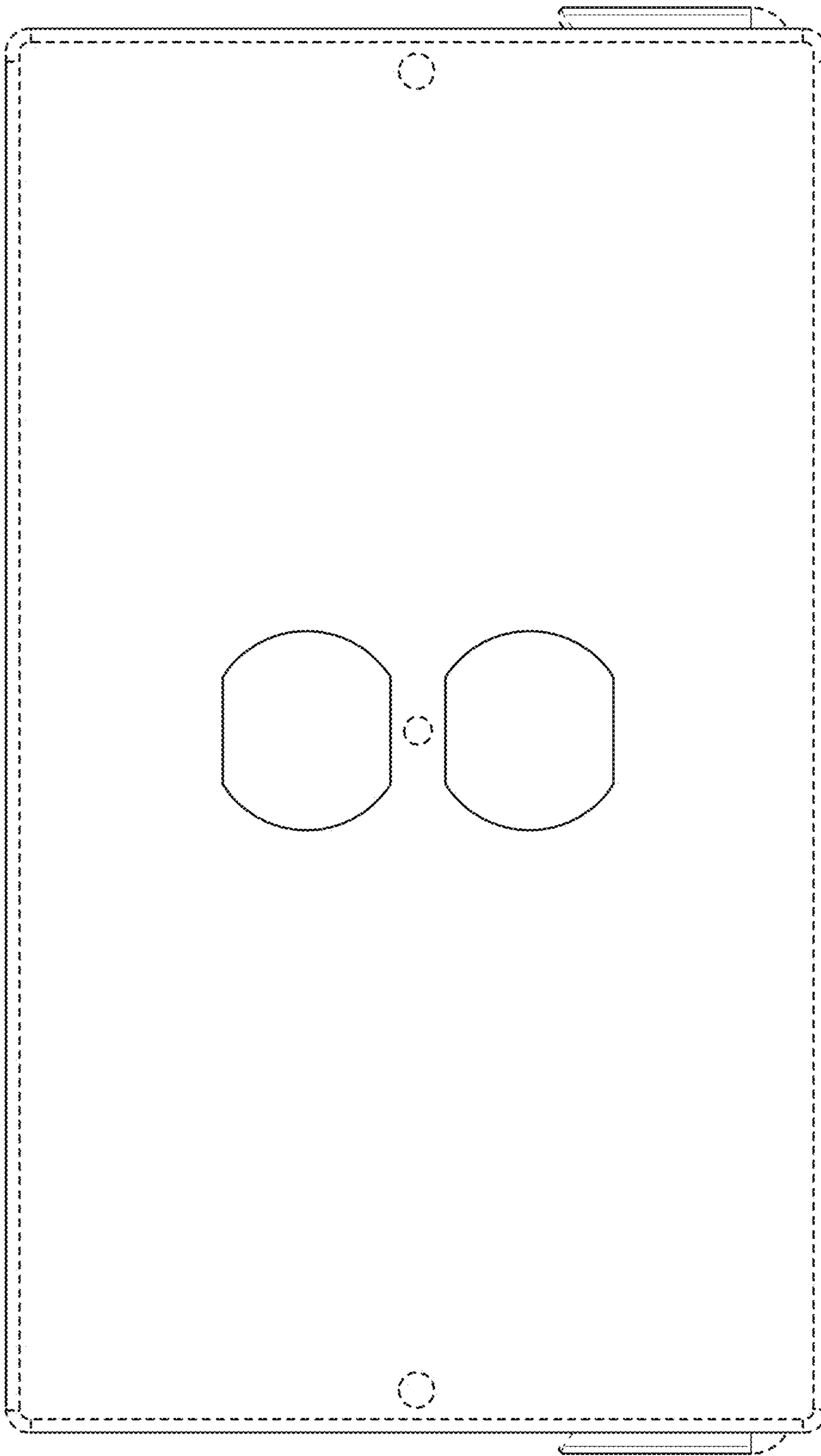


FIG. 3

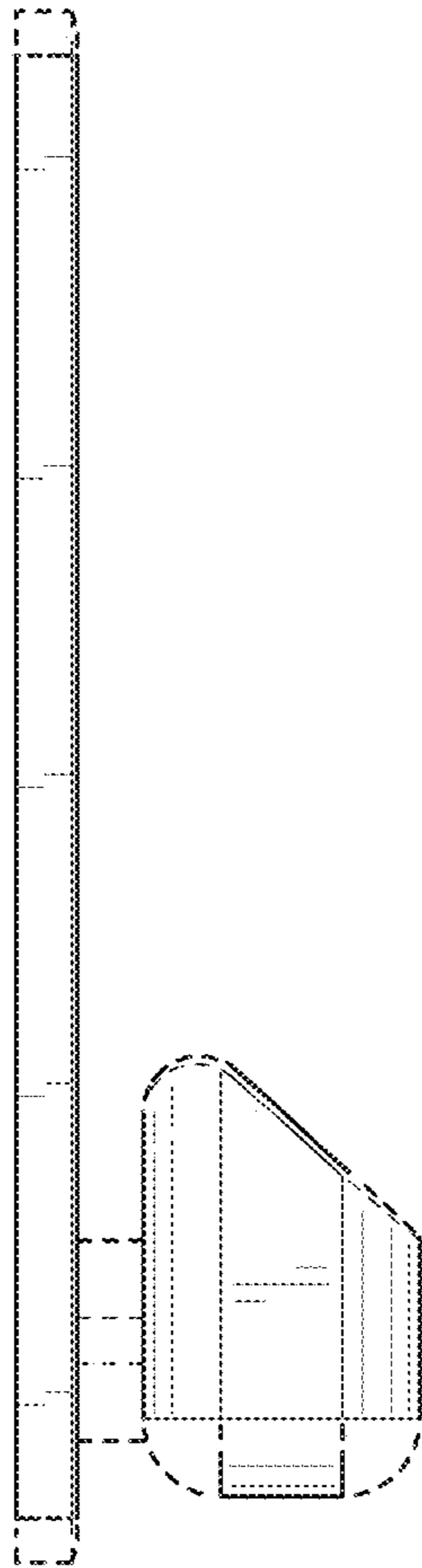


FIG. 4

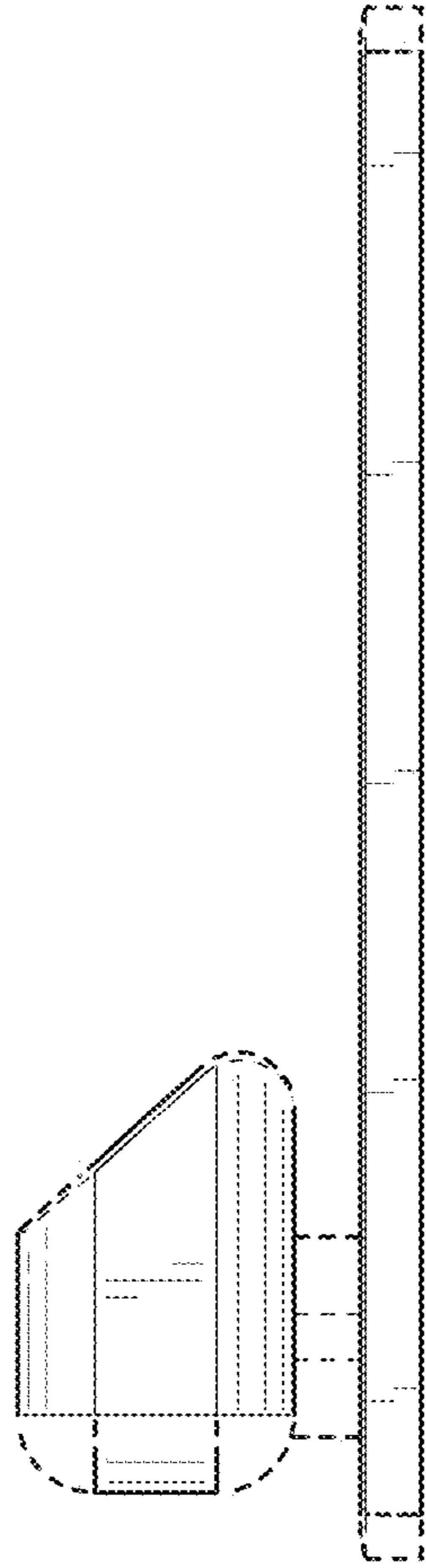


FIG. 5

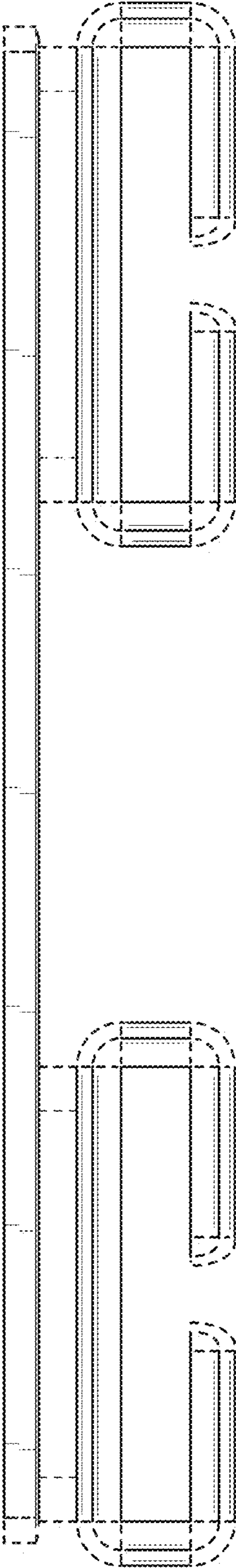


FIG. 6

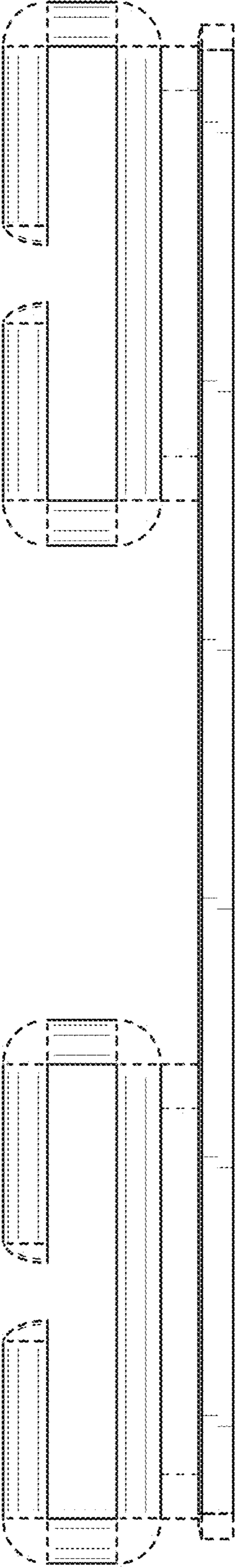


FIG. 7

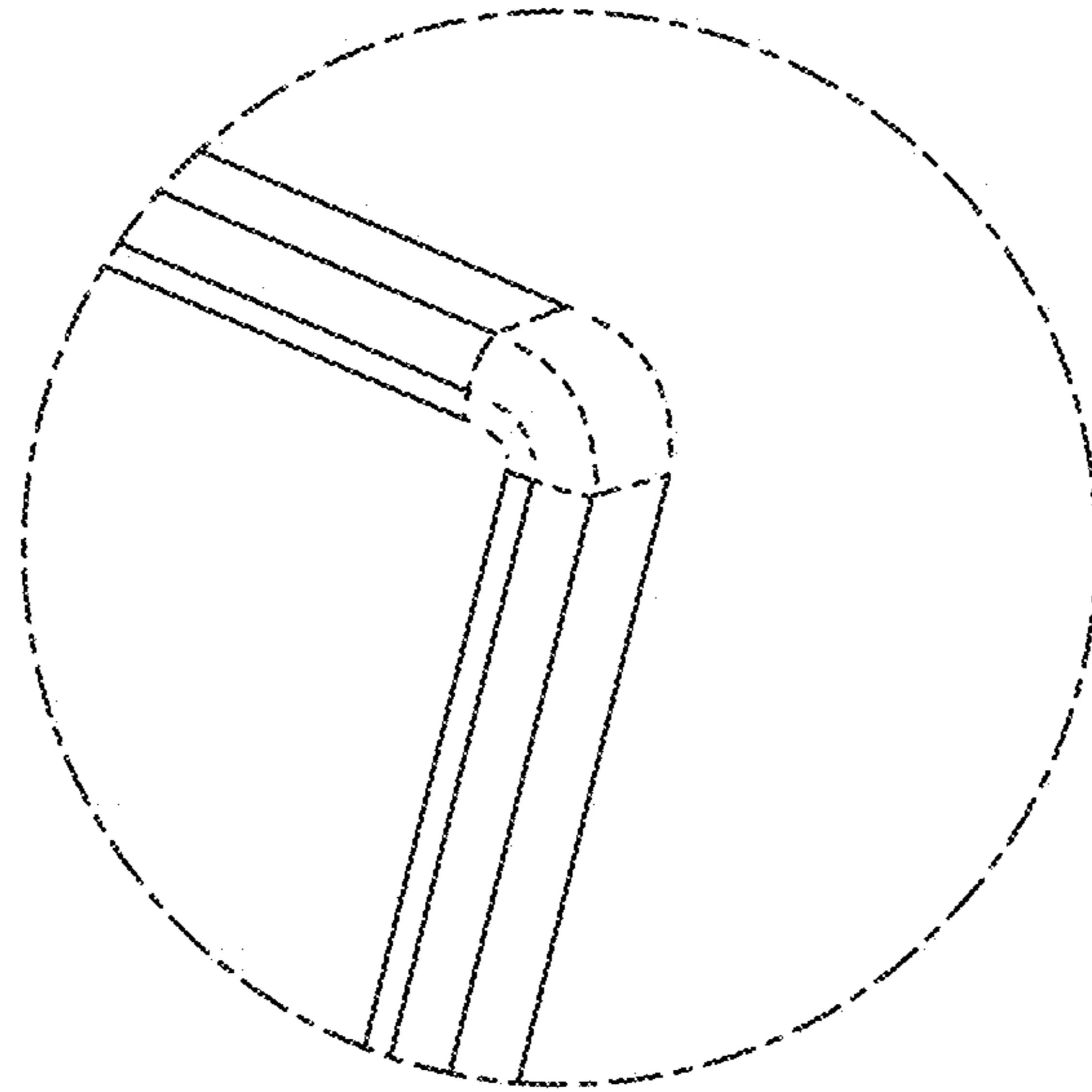


FIG. 8

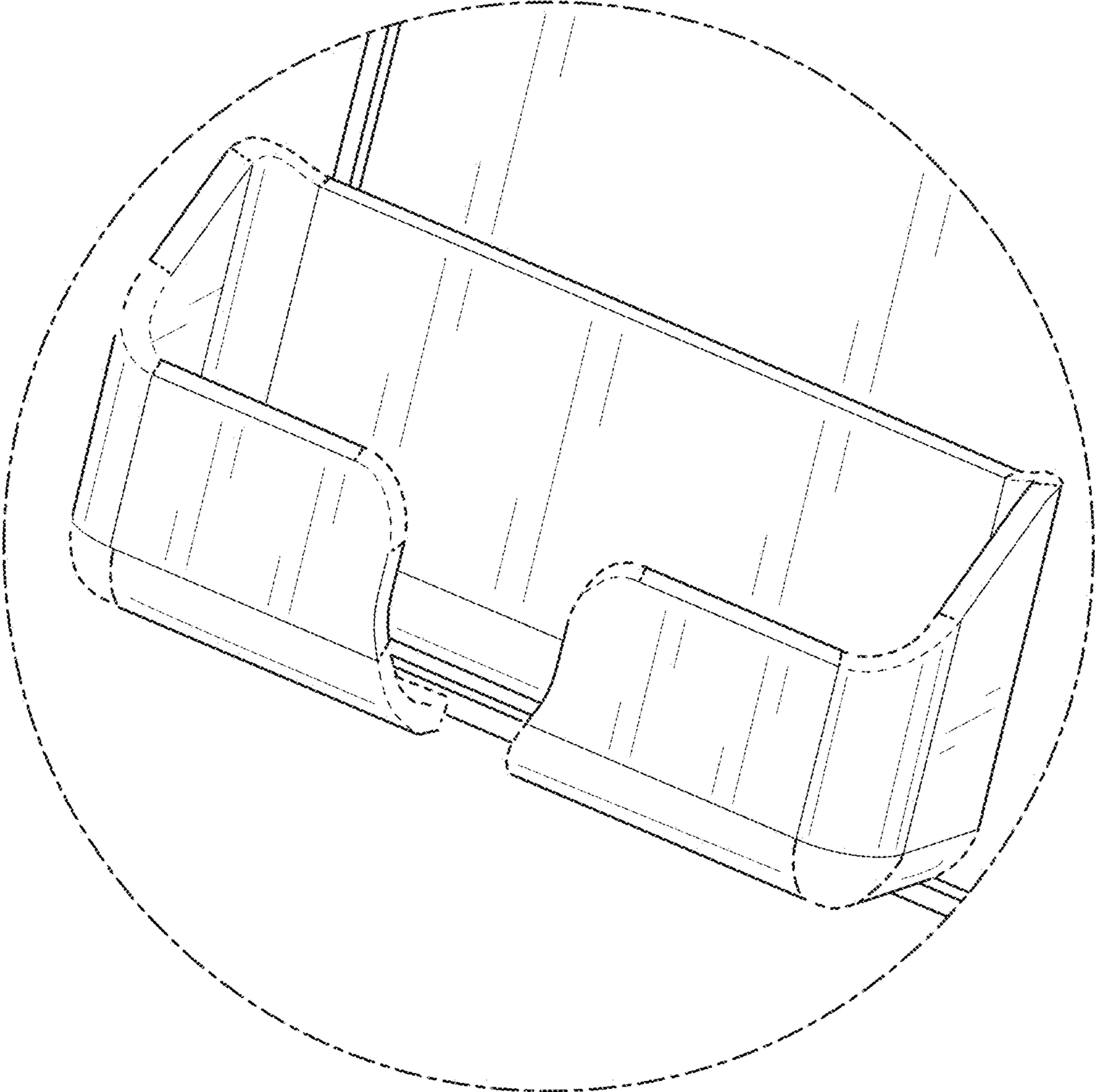


FIG. 9