



US00D888038S

(12) **United States Design Patent**
Wright et al.

(10) **Patent No.:** **US D888,038 S**
(45) **Date of Patent:** **** Jun. 23, 2020**

(54) **SLEEVE FOR ELECTRONIC DEVICE**

FOREIGN PATENT DOCUMENTS

(71) Applicant: **CATALYST LIFESTYLE LIMITED**,
North Point (HK)

CN 201330337920.9 1/2014
CN 201430316889.5 2/2015

(Continued)

(72) Inventors: **Joshua Wright**, Hong Kong Sar (CN);
June Lai, Hong Kong Sar (CN)

(73) Assignee: **Catalyst Lifestyle Limited**, North Point
(HK)

(**) Term: **15 Years**

(21) Appl. No.: **29/664,108**

(22) Filed: **Sep. 21, 2018**

(30) **Foreign Application Priority Data**

Mar. 22, 2018 (CN) 2018 3 0107823

(51) **LOC (12) Cl.** **14-03**

(52) **U.S. Cl.**
USPC **D14/250; D3/218**

(58) **Field of Classification Search**

USPC D3/201, 212, 207, 208, 218, 294, 299,
D3/300, 303; D10/30; D24/201, 205,
D24/217, 250, 251, 440, 447; D28/66,
D28/76; D14/201, 205, 217, 250, 251,
D14/440, 447
CPC . H04R 1/1016; H04R 1/105; A45C 2011/001;
A45C 2011/002; A45C 2011/003; B65D
2585/6835

See application file for complete search history.

(56) **References Cited**

U.S. PATENT DOCUMENTS

D362,542 S 9/1995 Richards et al.
D375,197 S 11/1996 Laherty

(Continued)

OTHER PUBLICATIONS

This AirPods Accessory is strangely awesome—Catalyst AirPods Case, publication date Apr. 7, 2017, [online][site visited Sep. 9, 2019] URL: <https://www.cnet.com/news/coming-soon-a-waterproof-case-for-your-airpods-case/> (Year: 2017).*

(Continued)

Primary Examiner — Susan E Krakower

Assistant Examiner — L. A. Grabenstetter

(74) *Attorney, Agent, or Firm* — Dinsmore & Shohl LLP

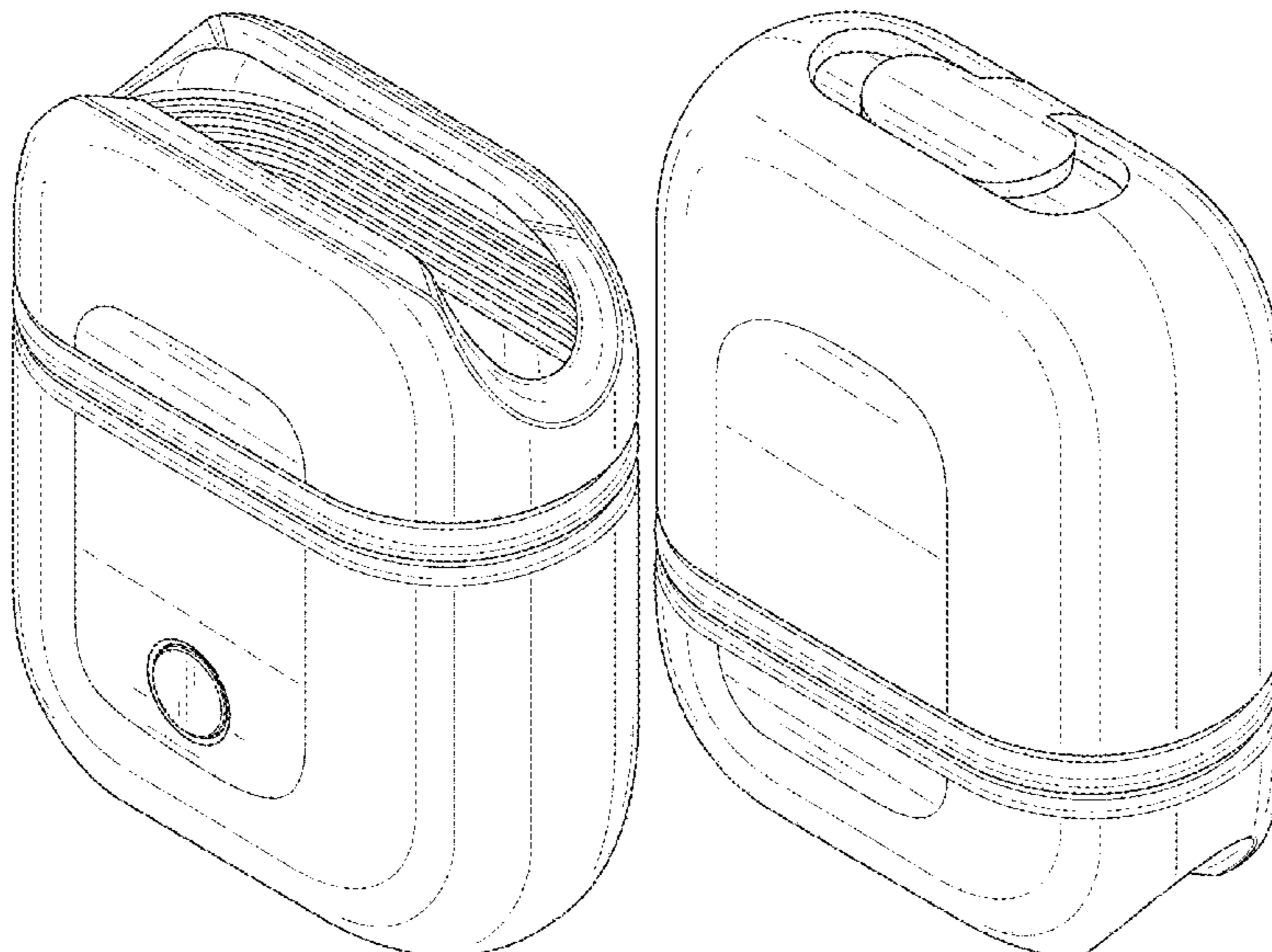
(57) **CLAIM**

The ornamental design for a sleeve for electronic device, as shown and described.

DESCRIPTION

FIG. 1 is a perspective view including a front, top and one side of the sleeve for electronic device;
FIG. 2 is a perspective view including a rear, bottom and opposite side of the sleeve for electronic device;
FIG. 3 is a front elevation view of the sleeve for electronic device of FIG. 1;
FIG. 4 is a rear elevation view of the sleeve for electronic device of FIG. 1;
FIG. 5 is a side elevation view of the sleeve for electronic device of FIG. 1;
FIG. 6 is an opposite side elevation view of the sleeve for electronic device of FIG. 1;
FIG. 7 is a top plan view of the sleeve for electronic device of FIG. 1; and,
FIG. 8 is the bottom plan view of the sleeve for electronic device of FIG. 1.
The broken lines depict portions of the sleeve for electronic device that form no part of the claimed design.

1 Claim, 8 Drawing Sheets



(56)

References Cited

U.S. PATENT DOCUMENTS

D393,148 S * 4/1998 Petruzzi D3/208
 5,740,624 A 4/1998 Baseley
 D399,604 S * 10/1998 Wolff D28/66
 D405,256 S 2/1999 Chacon et al.
 6,305,538 B1 10/2001 Jackson
 D467,799 S 12/2002 Persson
 D475,696 S 6/2003 Hussaini et al.
 D478,721 S * 8/2003 Anderton D3/208
 6,817,470 B1 11/2004 Goldberg
 D503,851 S * 4/2005 Landow D3/212
 D531,618 S 11/2006 Kennemer et al.
 7,347,325 B2 3/2008 O'Neill et al.
 D569,608 S * 5/2008 Rowe D3/203.1
 D570,597 S * 6/2008 Klein D14/484.1
 D592,400 S 5/2009 Nelson
 D594,659 S 6/2009 Lown et al.
 D595,952 S 7/2009 Nussberger
 D596,393 S 7/2009 Leung et al.
 D599,546 S 9/2009 Lown et al.
 D600,913 S 9/2009 Kalbach
 7,584,841 B2 9/2009 Chan et al.
 D601,366 S 10/2009 Barabas et al.
 D604,040 S * 11/2009 Fleming D3/207
 D623,399 S * 9/2010 McSweyn D14/480.5
 7,855,529 B2 12/2010 Liu
 D666,408 S * 9/2012 Neely, III D3/208
 D669,272 S * 10/2012 Yang D3/303
 D670,497 S 11/2012 Phillips et al.
 D672,642 S 12/2012 Supranowicz
 8,399,764 B2 3/2013 Klosky
 D681,613 S 5/2013 Magness et al.
 D692,664 S * 11/2013 Rashid D3/303
 D707,041 S * 6/2014 Park D3/215
 D711,866 S * 8/2014 Kawata D14/250
 D718,750 S 12/2014 Young et al.
 D720,096 S 12/2014 McDougall
 D720,718 S * 1/2015 Stevinson D14/205
 8,961,015 B1 2/2015 Bihn

D735,991 S * 8/2015 Brennan D3/218
 D740,653 S * 10/2015 Akana D9/418
 D751,558 S * 3/2016 Lee D10/103
 D766,905 S * 9/2016 Lee D14/440
 D769,879 S * 10/2016 Kim D14/440
 D775,818 S * 1/2017 Ingraham D3/218
 D780,740 S * 3/2017 Kim D14/250
 D790,512 S * 6/2017 Lee D14/217
 D794,617 S * 8/2017 Wright D14/203.3
 D794,618 S * 8/2017 Wright D14/203.3
 D800,700 S * 10/2017 Bergman D14/217
 D806,388 S * 1/2018 Akana D3/294
 D808,791 S 1/2018 Johnston et al.
 D818,268 S 5/2018 Akana et al.
 D849,401 S 5/2019 Akana et al.
 D864,971 S 10/2019 Lee et al.
 D872,723 S 1/2020 Lee et al.
 D872,724 S 1/2020 Lee et al.

FOREIGN PATENT DOCUMENTS

CN	201730139442.9	10/2017
CN	201730147900.3	11/2017
CN	201730208864.7	12/2017
CN	201730348926.4	1/2018
CN	201730395672.9	2/2018
CN	201730428901.5	2/2018
CN	201730483408.3	3/2018
KR	30-2003-0025093	6/2004

OTHER PUBLICATIONS

This glow-in-the-dark,waterproof AirPods case—Catalist AirPods Case, publication date Apr. 14, 2017, [online][site visited Sep. 9, 2019] URL: <https://www.theverge.com/circuitbreaker/2017/4/14/15306100/catalyst-case-airpods-sale-glow-in-the-dark> (Year: 2017).*
 Notice of Allowance and Fee(s) Due dated Apr. 9, 2020 pertaining to U.S. Appl. No. 29/665,170, filed Oct. 1, 2018, 21 pgs.

* cited by examiner

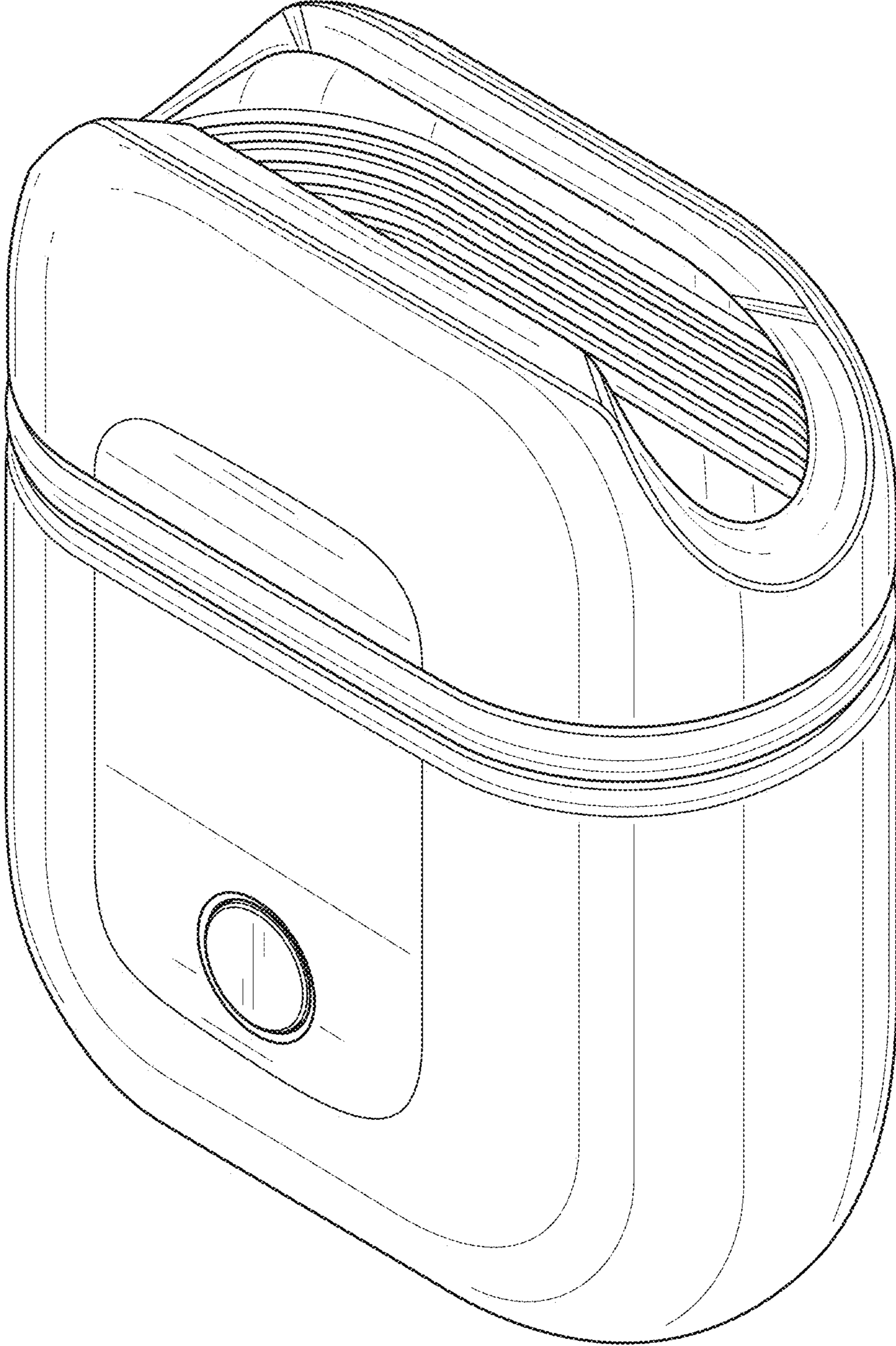


FIG. 1

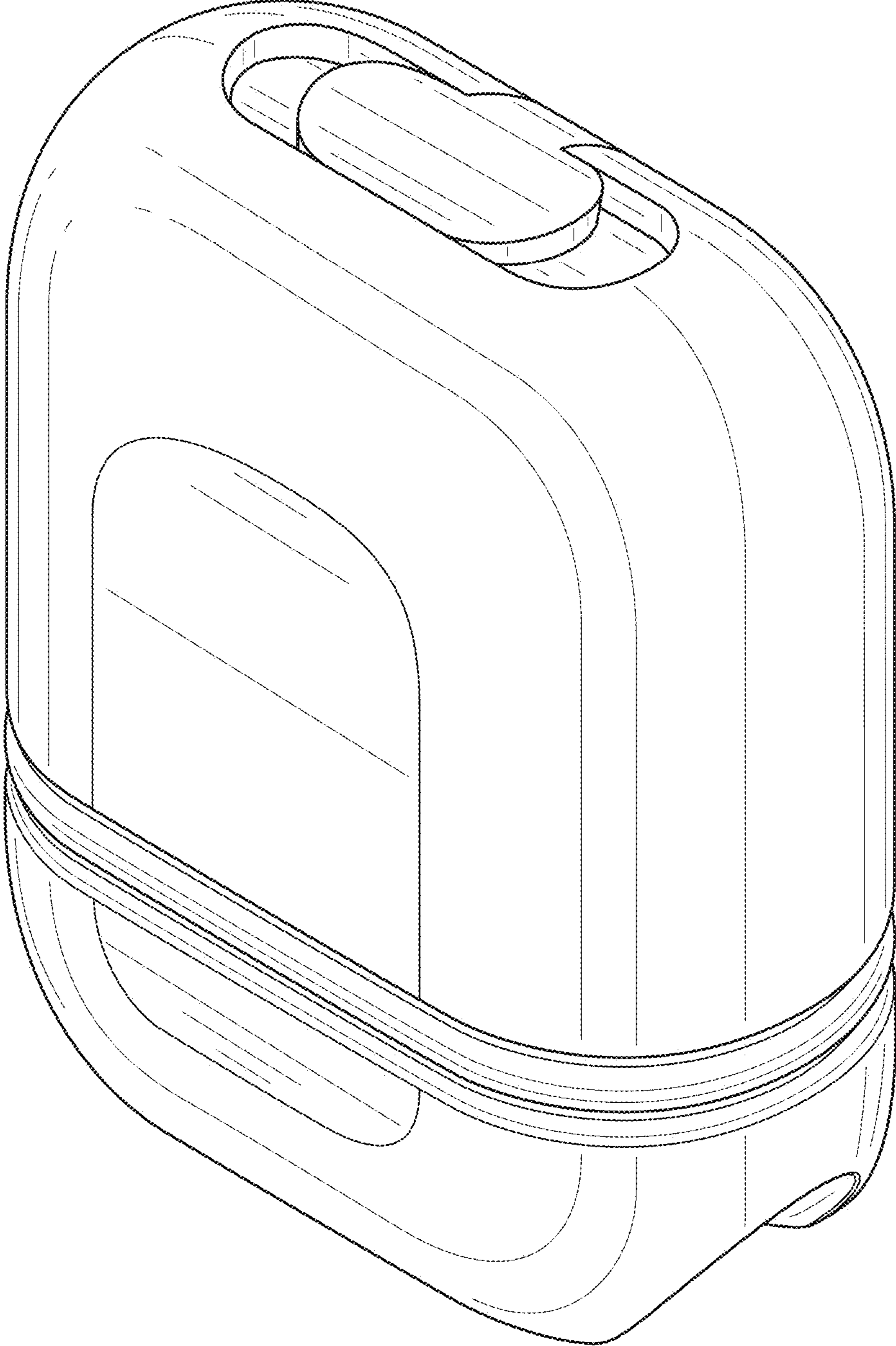


FIG. 2

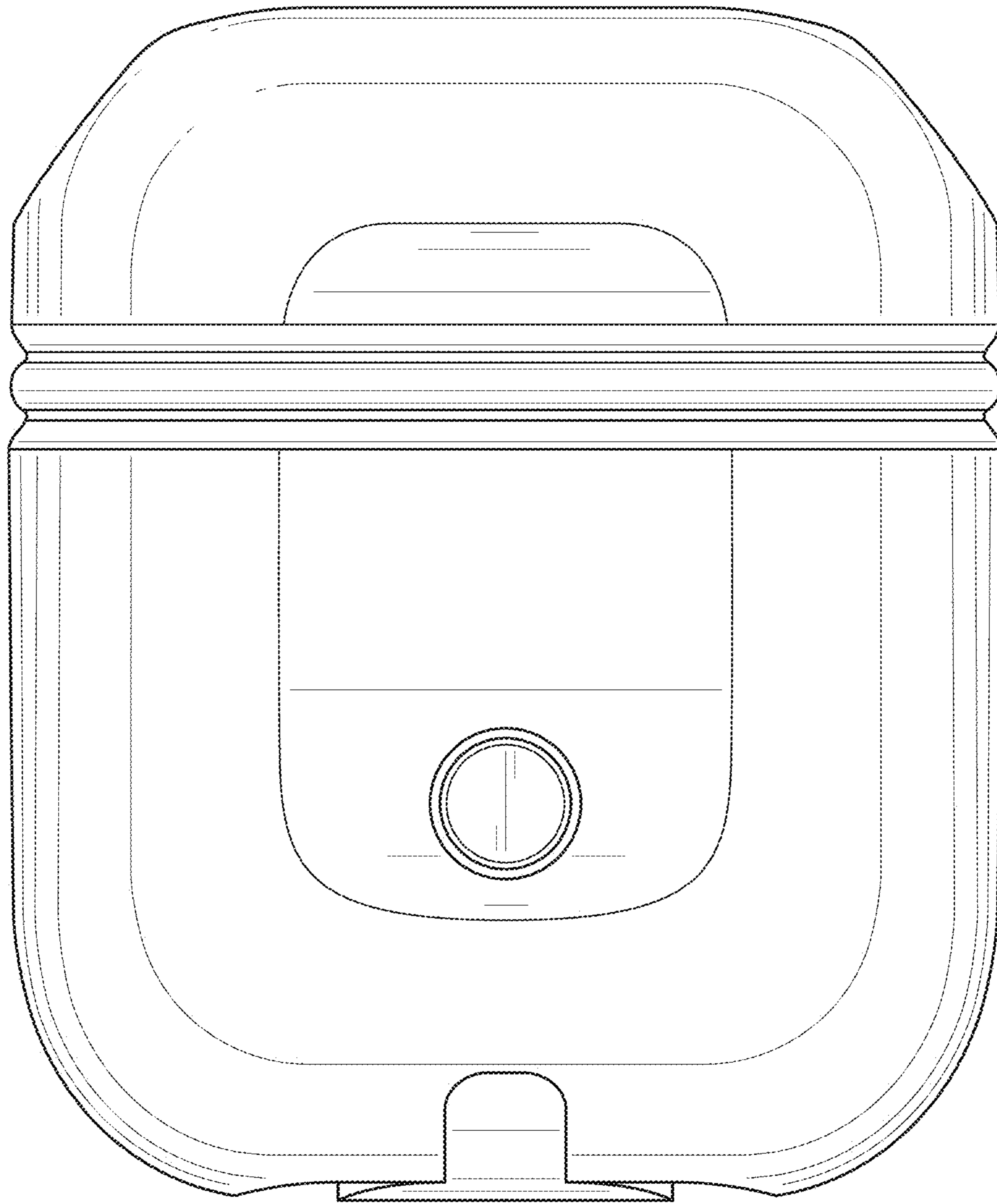


FIG. 3

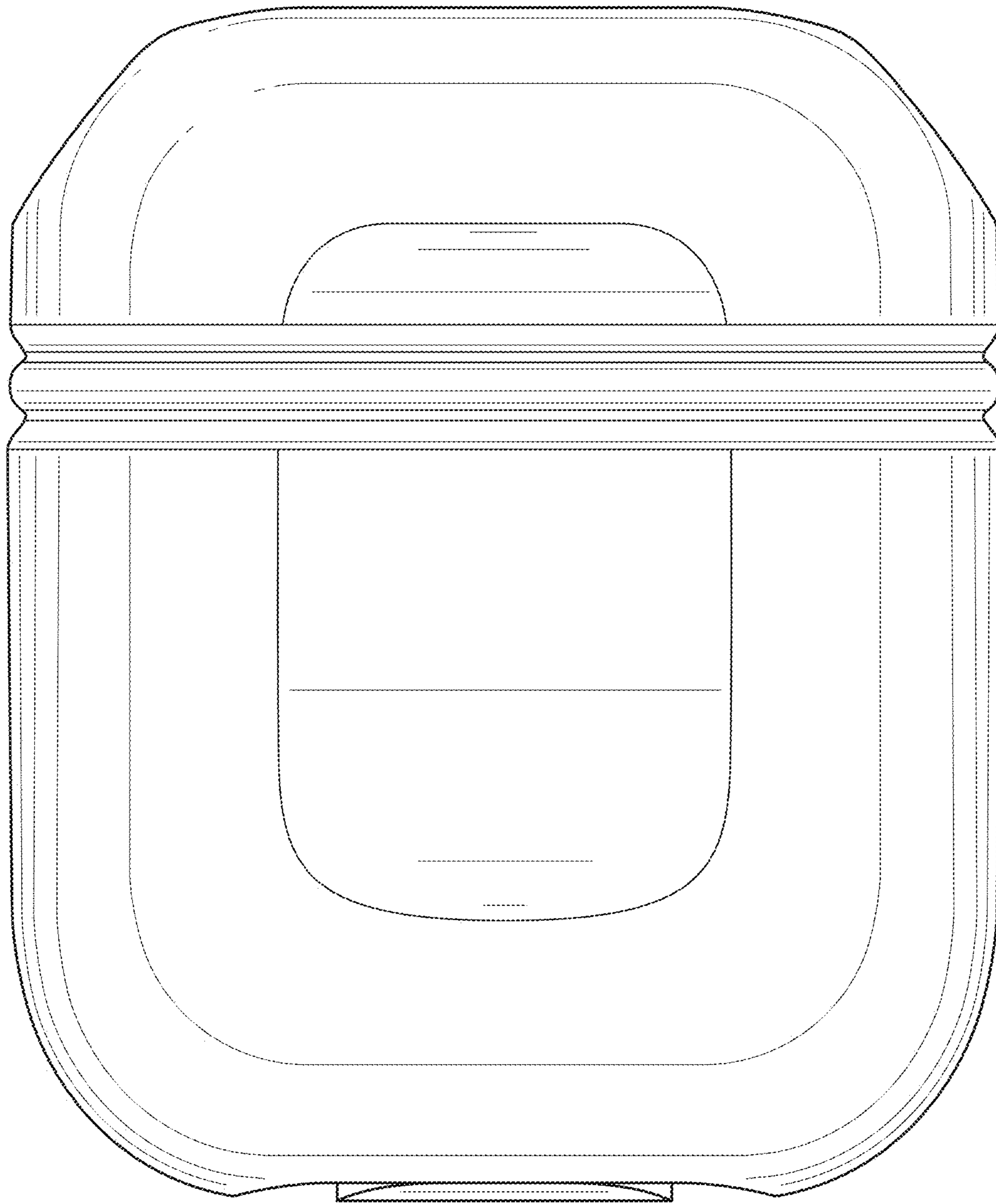


FIG. 4

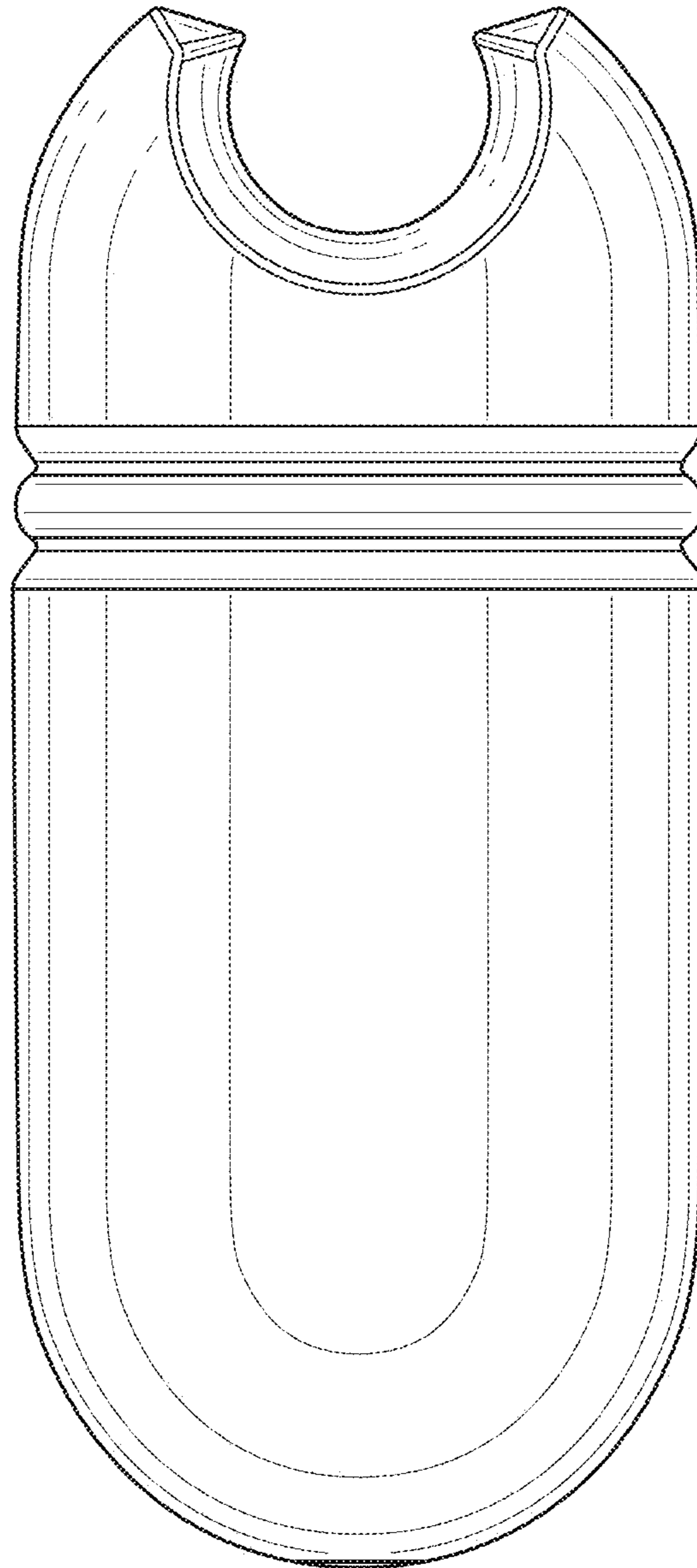


FIG. 5

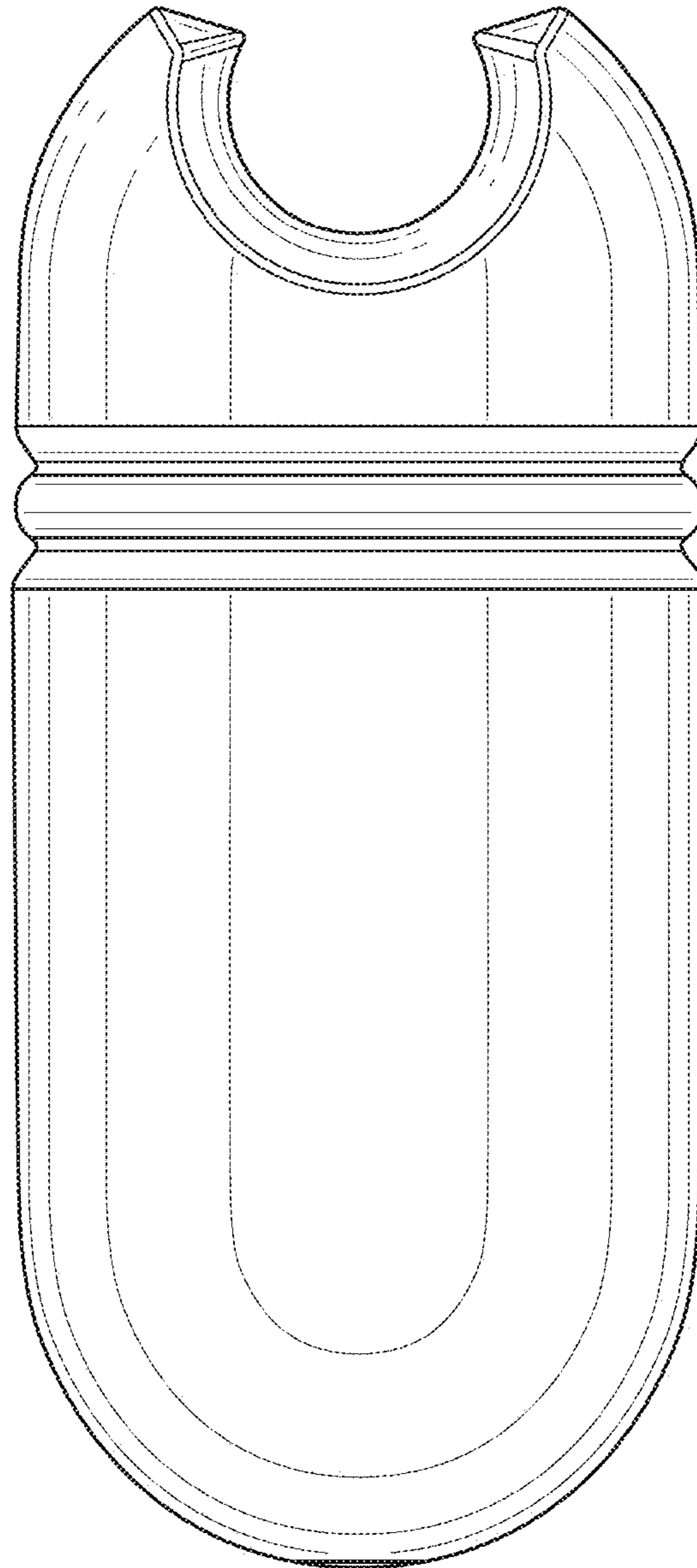


FIG. 6

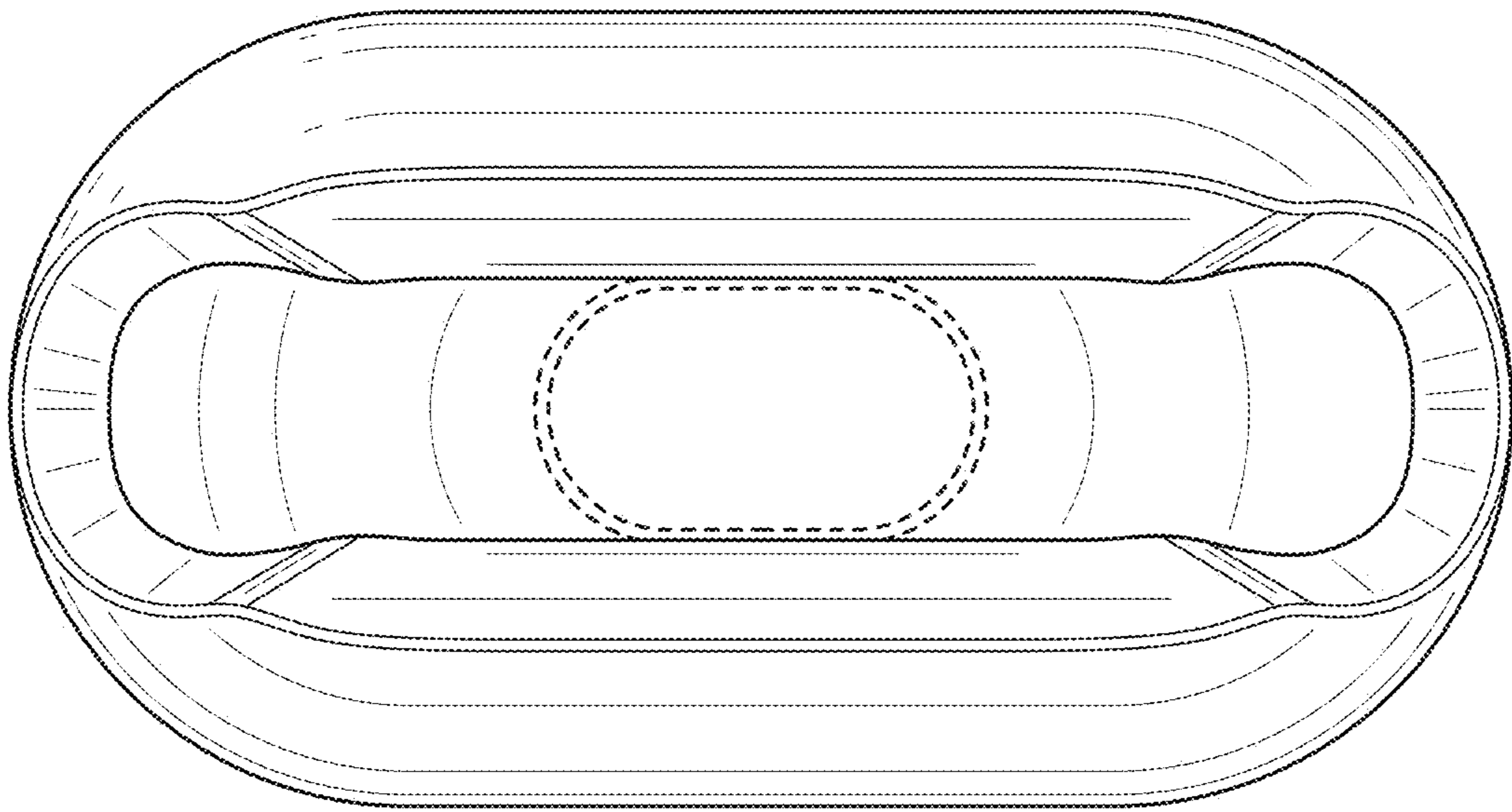


FIG. 7

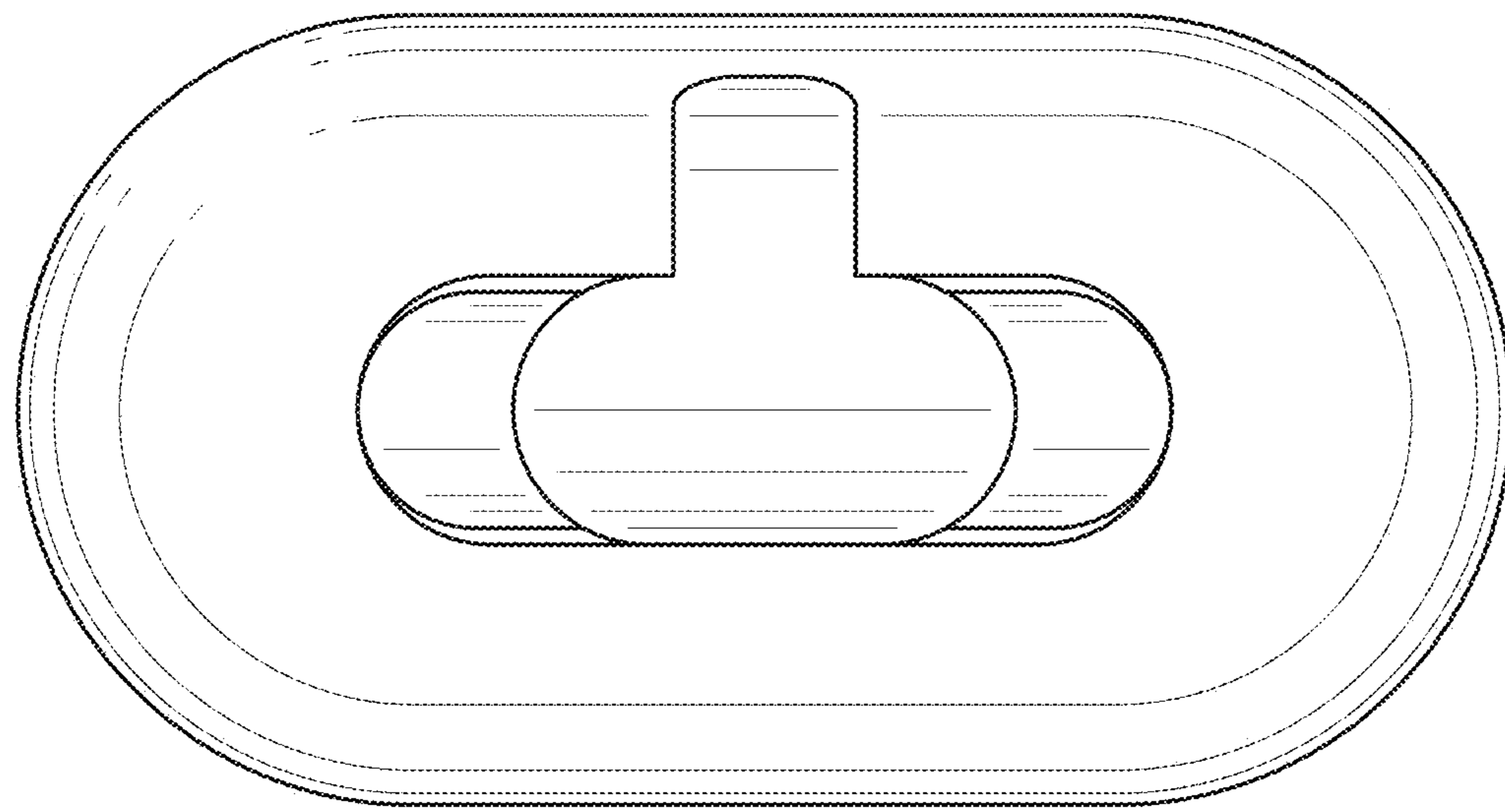


FIG. 8