



US00D888033S

(12) **United States Design Patent** (10) **Patent No.:** **US D888,033 S**  
**Kim** (45) **Date of Patent:** **\*\* Jun. 23, 2020**

(54) **PHONE CASE**

(71) Applicant: **Spigen, Inc.**, Irvine, CA (US)  
(72) Inventor: **Woo Jin Kim**, Fullerton, CA (US)  
(73) Assignee: **SPIGEN, INC.**, Irvine, CA (US)  
(\*\*) Term: **15 Years**

(21) Appl. No.: **29/614,197**  
(22) Filed: **Aug. 16, 2017**  
(51) **LOC (12) Cl.** ..... **14-03**  
(52) **U.S. Cl.**  
USPC ..... **D14/250**  
(58) **Field of Classification Search**  
USPC ..... D14/143, 189, 203.2–203.7, 217, 238.1,  
D14/240, 248, 250–253, 440, 447, 496;  
D3/201, 218, 247–251, 269, 273, 301,  
D3/303; D13/103, 107–108, 119;  
D5/32–39  
CPC ..... A45C 1/06; A45C 11/00; A45C 13/02;  
A45C 2011/002; A45F 2005/026; A45F  
2200/0525; A45F 2200/0516; H04B  
1/3888; H04M 1/0283; H04M 1/0202  
See application file for complete search history.

(56) **References Cited**

**U.S. PATENT DOCUMENTS**

586,211 A \* 7/1897 Basquin ..... E06B 9/24  
359/592  
D77,291 S \* 12/1928 Bunting ..... D5/62  
D88,162 S \* 11/1932 Lukas ..... D5/62  
D96,593 S \* 8/1935 Coe ..... D5/55  
D700,174 S \* 2/2014 Li ..... D14/248  
D750,606 S \* 3/2016 Lu ..... D14/247  
D792,878 S \* 7/2017 Kim ..... D14/250  
D807,336 S \* 1/2018 Kim ..... D14/250  
D809,495 S \* 2/2018 Dukerschein ..... D14/250  
D813,219 S \* 3/2018 Hyun ..... D14/250

(Continued)

**OTHER PUBLICATIONS**

Caseology Legion Series Case Designed for iPhone X, posted at amazon.com, earliest date reviewed on Sep. 2, 2017, [online], acquired on Aug. 31, 2018. Available from Internet, <URL: https://www.amazon.com/Caseology-Legion-Designed-Protection-Protective/dp/B07532HB35/ref=cm\_cr\_arp\_d\_product\_top?ie=UTF8> (Year: 2017).\*

(Continued)

*Primary Examiner* — Lilyana Bekic  
*Assistant Examiner* — Aula Soroush  
(74) *Attorney, Agent, or Firm* — Heedong Chae; Lucem, PC

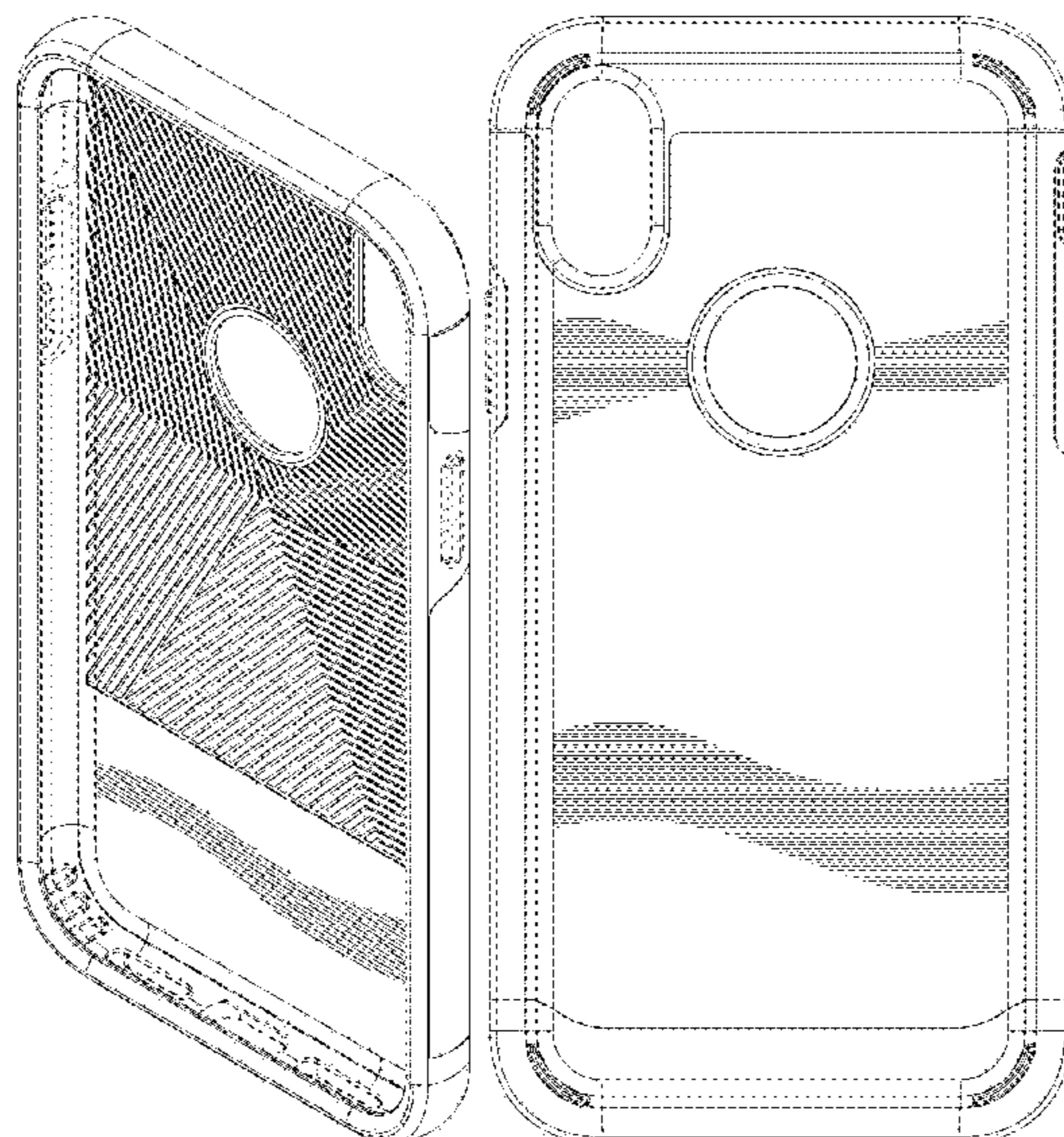
(57) **CLAIM**

The ornamental design for a phone case, as shown and described.

**DESCRIPTION**

FIG. 1 is a top perspective view showing the top, front, and right sides as well as the inner left interior surface of a phone case;  
FIG. 2 is a bottom perspective view showing the bottom, front, and left sides as well as the inner right interior surface of the phone case;  
FIG. 3 is a further bottom perspective view showing the bottom, front, and right sides as well as the inner left interior surface of the phone case;  
FIG. 4 is a further bottom perspective view showing the bottom, left, and back sides of the phone case;  
FIG. 5 is a front elevation view of the phone case;  
FIG. 6 is a rear elevation view of the phone case;  
FIG. 7 is a left side elevation view of the phone case;  
FIG. 8 is a right side elevation view of the phone case;  
FIG. 9 is a top plan view of the phone case; and,  
FIG. 10 is a bottom plan view of the phone case.  
The broken lines in the drawings represent portions of the phone case that form no part of the claimed design.

**1 Claim, 10 Drawing Sheets**



(56)

**References Cited**

## U.S. PATENT DOCUMENTS

2015/0168789 A1\* 6/2015 Kwon ..... G02F 1/134336  
349/33

## OTHER PUBLICATIONS

“Spigen Slim Armor iPhone 5S /SE/5 Case with Advanced Drop Protection and Dual Layer Design for iPhone 5S / iPhone Se / iPhone 5—Metal Slate”, <https://www.amazon.com/dp/B00DD62R40>, Earliest review date of Dec. 14, 2012, Downloaded on Sep. 18, 2018.

“Spigen Slim Armor View Galaxy S4 Case with Automatic Sleep / Wake Feature for Galaxy S4 2013—Soul Black”, <https://www.amazon.com/dp/B00DCCVS5Y>, Earliest review date of Mar. 18, 2013, Downloaded on Feb. 19, 2019.

“Spigen Slim Armor Nexus 5 Case with Air Cushion Technology and Hybrid Drop Protection for Nexus 5 2013—Infinity White”, <https://www.amazon.com/dp/B00EV8Y7XI>, Earliest review date of Nov. 4, 2013, Downloaded on Jan. 16, 2019.

“Spigen Slim Armor View Galaxy S5 Case with Automatic Sleep / Wake Feature for Samsung Galaxy S5 2014—View Smooth White”, <https://www.amazon.com/dp/B00KGGO2EI>, Earliest review date of Jan. 18, 2014, Downloaded on Jan. 16, 2019.

“Spigen Slim Armor Galaxy S5 Case with Air Cushion Technology and Hybrid Drop Protection for Samsung Galaxy S5 2014—Metal Slate”, <https://www.amazon.com/dp/B0013UWD7C>, Earliest review date of Apr. 11, 2014, Downloaded on Sep. 18, 2018.

“Spigen Slim Armor LG G3 Case with Air Cushion Technology and Hybrid Drop Protection for LG G3 2014—Metal Slate”, <https://www.amazon.com/dp/B00JQI2G50>, Earliest review date of Jul. 9, 2014, Downloaded on Jan. 16, 2019.

“Spigen Slim Armor iPhone 6 Case with Air Cushion Technology and Hybrid Drop Protection for iPhone 6 2014—Gunmetal”, <https://www.amazon.com/dp/B00JH88GB6>, Earliest review date of Aug. 13, 2014, Downloaded on Sep. 18, 2018.

“Spigen Slim Armor iPhone 6 Plus Case with Air Cushion Technology and Hybrid Drop Protection for iPhone 6S Plus / iPhone 6 Plus—Shimmery White”, <https://www.amazon.com/dp/B00JH83C6U>, Earliest review date of Sep. 12, 2014, Downloaded on Sep. 18, 2018.

“Spigen Slim Armor Galaxy Note 4 Case with Air Cushion Technology and Hybrid Drop Protection for Samsung Galaxy Note 4 2014—Shimmery White”, <https://www.amazon.com/dp/B00MAWQPJQ>, Earliest review date of Oct. 7, 2014, Downloaded on Jul. 30, 2018.

“Spigen Slim Armor Galaxy S6 Case with Air Cushion Technology and Hybrid Drop Protection with Kickstand for Samsung Galaxy S6 (2015)—Shimmery White”, <https://www.amazon.com/dp/B000U4NQMY>, Earliest review date of Mar. 21, 2015, Downloaded on Sep. 18, 2018.

“Spigen Slim Armor HTC One M9 Case with Kickstand and Air Cushion Technology Hybrid Drop Protection for Fitc One M9 2015—Metal Slate”, <https://www.amazon.com/dp/B00SNOTASI>, Earliest review date of Mar. 31, 2015, Downloaded on Jan. 16, 2019.

Spigen Slim Armor Galaxy S6 Edge Case with Kickstand and Air Cushion Technology and Hybrid Drop Protection for Galaxy S6 Edge 2015—Gunmetal, <https://www.amazon.com/dp/B00SV638ZE>, Earliest review date of Apr. 3, 2015, Downloaded on Sep. 18, 2018.

“Spigen Slim Armor Galaxy Note 5 Case with Air Cushion Technology and Hybrid Drop Protection for Galaxy Note 5 2015—Metal Slate”, <https://www.amazon.com/dp/B010MWHIKA>, Earliest review date of Aug. 21, 2015, Downloaded on Jul. 18, 2018.

“Spigen Slim Armor iPhone 6S Case with Kickstand and Air Cushion Technology Hybrid Drop Protection for iPhone 6S 2015—Rose Gold”, <https://www.amazon.com/dp/B012PKFAQ6>, Earliest review date of Sep. 1, 2015, Downloaded on Sep. 18, 2018.

Korguenkomodo, “Slim Armor case—Galaxy S6 Edge Plus”, Published on Oct. 12, 2015, Downloaded on Mar. 19, 2019.

“Spigen Slim Armor LG V10 Case with Air Cushion Technology and Hybrid Drop Protection for LG V10—Gunmetal”, <https://www.amazon.com/dp/B016X1FODW>, Earliest review date of Nov. 16, 2015, Downloaded on Sep. 18, 2018.

“Spigen Slim Armor Galaxy S7 Edge Case with Kickstand and Air Cushion Technology and Hybrid Drop Protection for Samsung Galaxy S7 Edge 2016—Champagne Gold”, <https://www.amazon.com/dp/B01BEBBWWY6>, Earliest review date of Feb. 26, 2016, Downloaded on Sep. 18, 2018.

“Spigen Slim Armor Galaxy S7 Case with Air Cushion Technology and Hybrid Drop Protection for Samsung Galaxy S7 2016—Violet”, <https://www.amazon.com/dp/B01AUR1D8K>, Earliest review date of Mar. 2, 2016, Downloaded on Sep. 18, 2018.

“Spigen Slim Armor iPhone SE Case with Air Cushion Technology and Hybrid Drop Protection for iPhone SE 2016 Rose Gold”, <https://www.amazon.com/dp/B01BEJOH5E>, Earliest review date of Apr. 6, 2016, Downloaded on Jan. 16, 2019.

“Spigen Slim Armor LG G5 Case with Air Cushion Technology and Hybrid Drop Protection for LG G5 2016—Shimmery White”, <https://www.amazon.com/dp/B01B1GQIHA>, Earliest review date of Apr. 7, 2016, Downloaded on Sep. 18, 2018.

“Spigen Slim Armor HTC 10 Case with Kickstand and Air Cushion Technology Hybrid Drop Protection for HTC 10 2016—Champagne Gold”, <https://www.amazon.com/dp/B01DAN2WTA>, Earliest review date of May 6, 2016, Downloaded on Jan. 16, 2019.

“Spigen Slim Armor iPhone 7 iPhone 8 Case with Kickstand and Air Cushion Technology Hybrid Drop Protection for Apple iPhone 7 (2016) / iPhone 8 (2017)—Black”, <https://www.amazon.com/dp/B01HMY5WKY>, Earliest review date of Sep. 12, 2016, Downloaded on Sep. 18, 2018.

“Spigen Slim Armor iPhone 7 Plus Case with Kickstand and Air Cushion Technology Hybrid Drop Protection for Apple Phone 7 Plus (2016)—Black”, <https://www.amazon.com/dp/B01HMY5Y3E>, Earliest review date of Sep. 22, 2016, Downloaded on Jan. 16, 2019.

“Spigen Slim Armor Google Pixel XL Case with Kickstand and SF Coated Non Slip Matte Surface and Air Cushion Technology Protection for Google Pixel XL 2016—Black”, <http://www.amazon.com/dp/B01M0FIVZ3>, Earliest review date of Oct. 20, 2016, downloaded on Jan. 16, 2019.

“Spigen Slim Armor LG G6 Case with Air Cushion Technology and Hybrid Drop Protection for LG G6 (2017)—Champagne Gold”, <http://www.amazon.com/dp/B01N1395SE>, Earliest review date of Mar. 25, 2017, downloaded on Sep. 18, 2018.

“Spigen Slim Armor Galaxy A5 2017 Case with Air Cushion Technology and Hybrid Drop Protection with Kickstand for Samsung Galaxy A5 2017—Metal Slate”, <http://www.amazon.com/dp/B01MTA3AAN>, Earliest review date of Apr. 1, 2017, downloaded on Sep. 18, 2018.

“Spigen Slim Armor Galaxy S8 Plus Case with Air Cushion Technology and Hybrid Drop Protection for Galaxy S8 Plus (2017)—Orchid Gray”, <http://www.amazon.com/dp/B0716CZ3Z1>, Earliest review date of Apr. 8, 2017, downloaded on Jul. 18, 2018.

“Spigen Slim Armor S8 Case with Air Cushion Technology and Hybrid Drop Protection for Samsung S8 (2017)—Black”, <http://www.amazon.com/dp/B01LP5XLOK>, Earliest review date of Apr. 22, 2017, downloaded on Sep. 18, 2018.

\* cited by examiner

FIG. 1

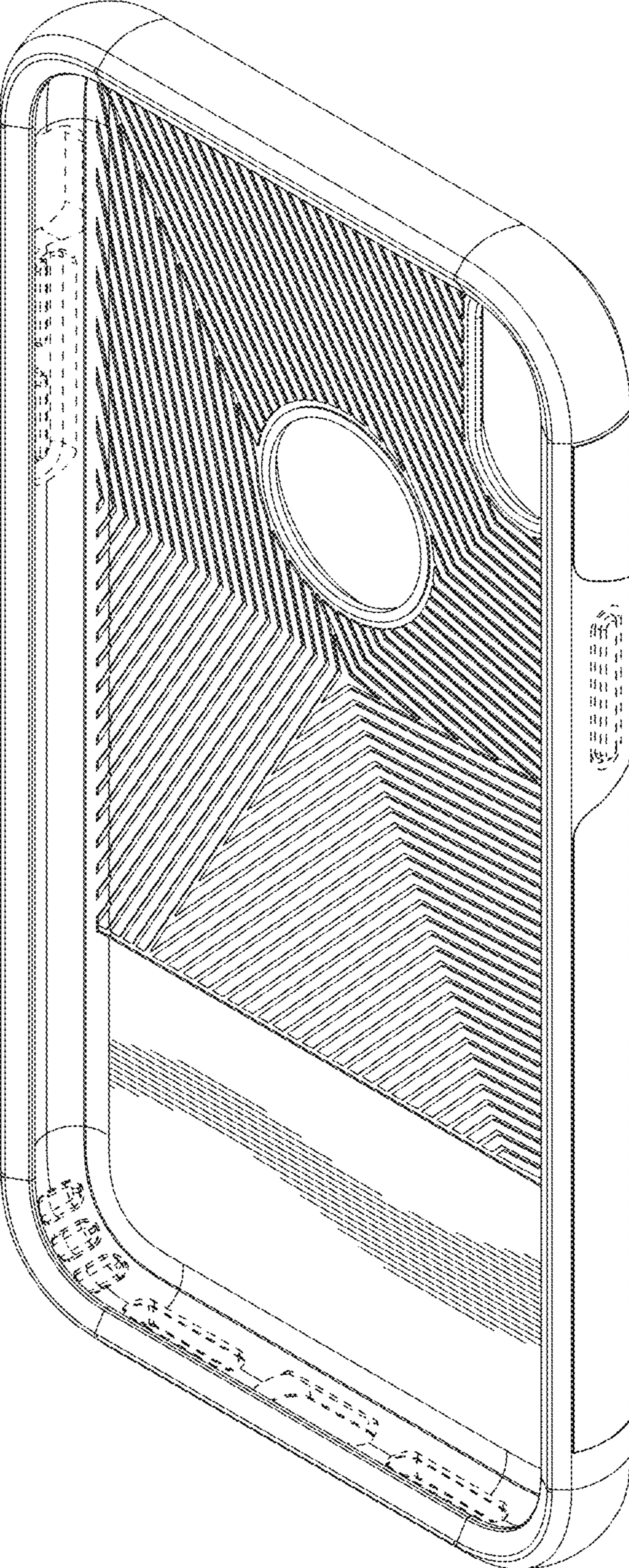


FIG. 2

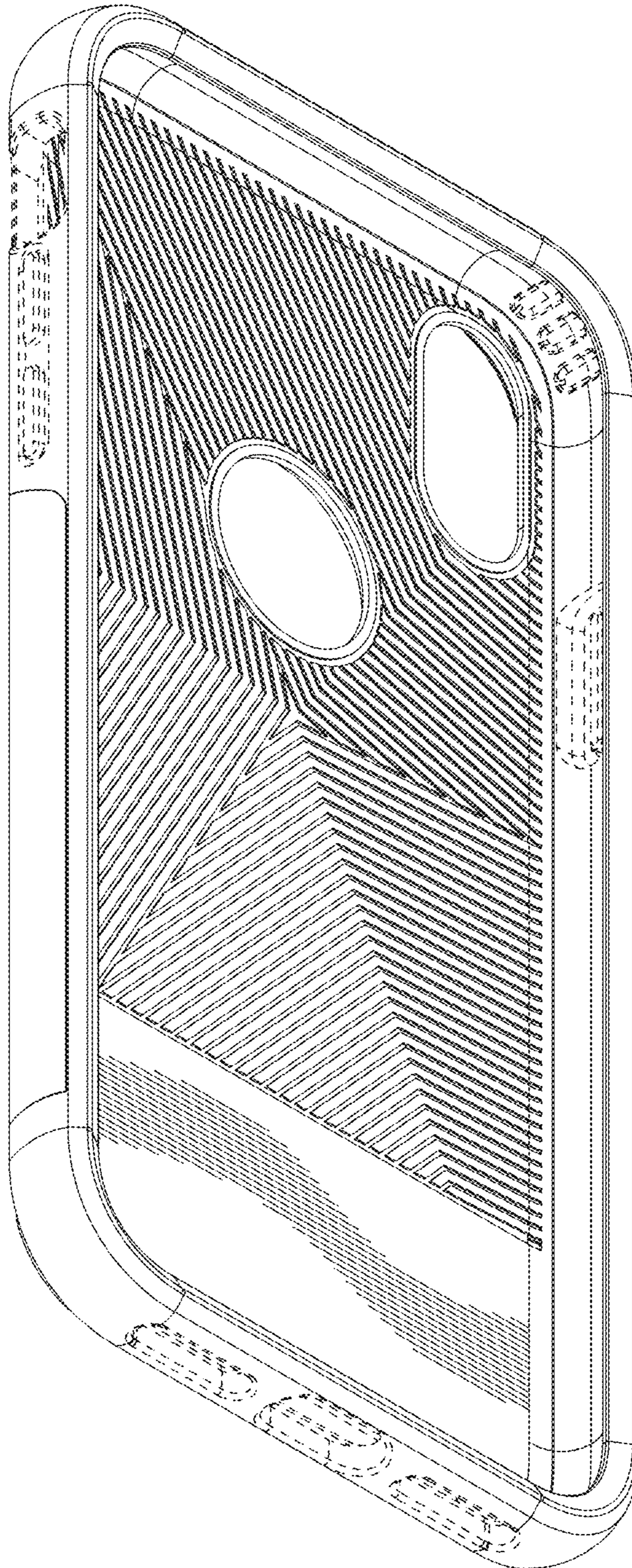


FIG. 3

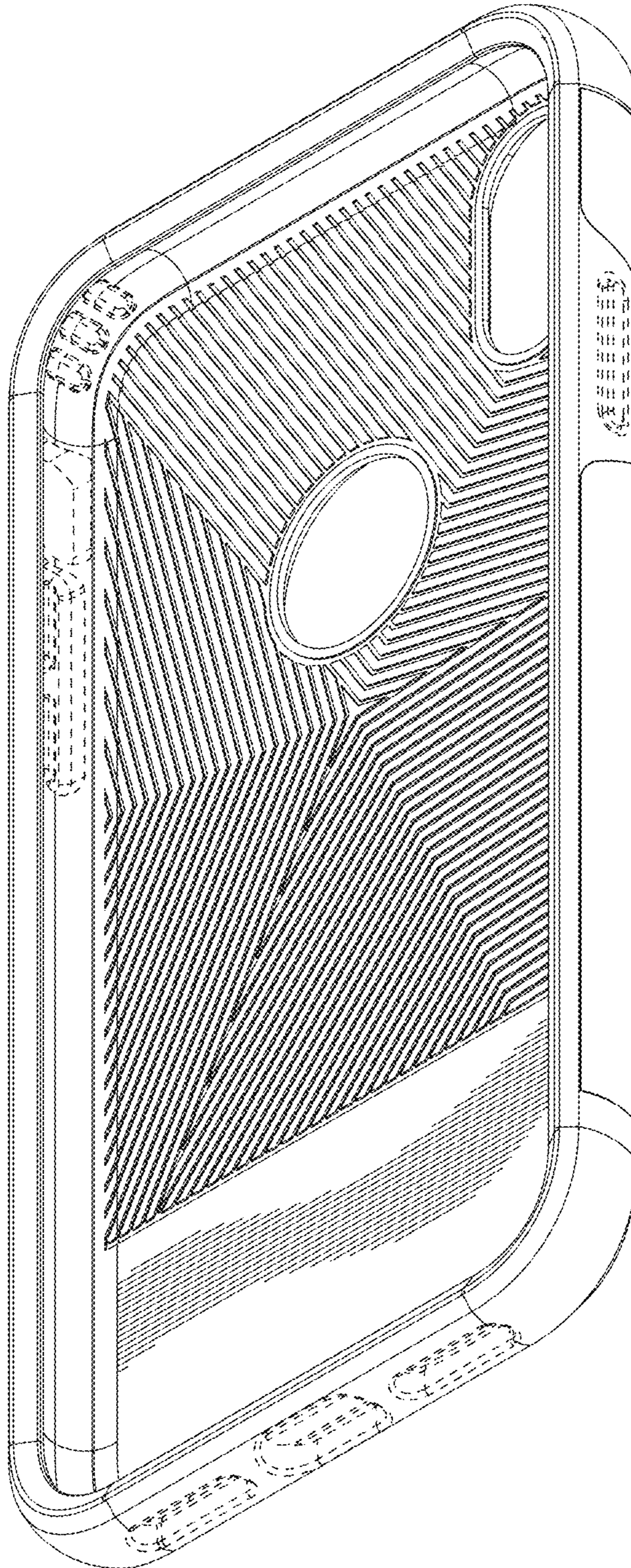


FIG. 4

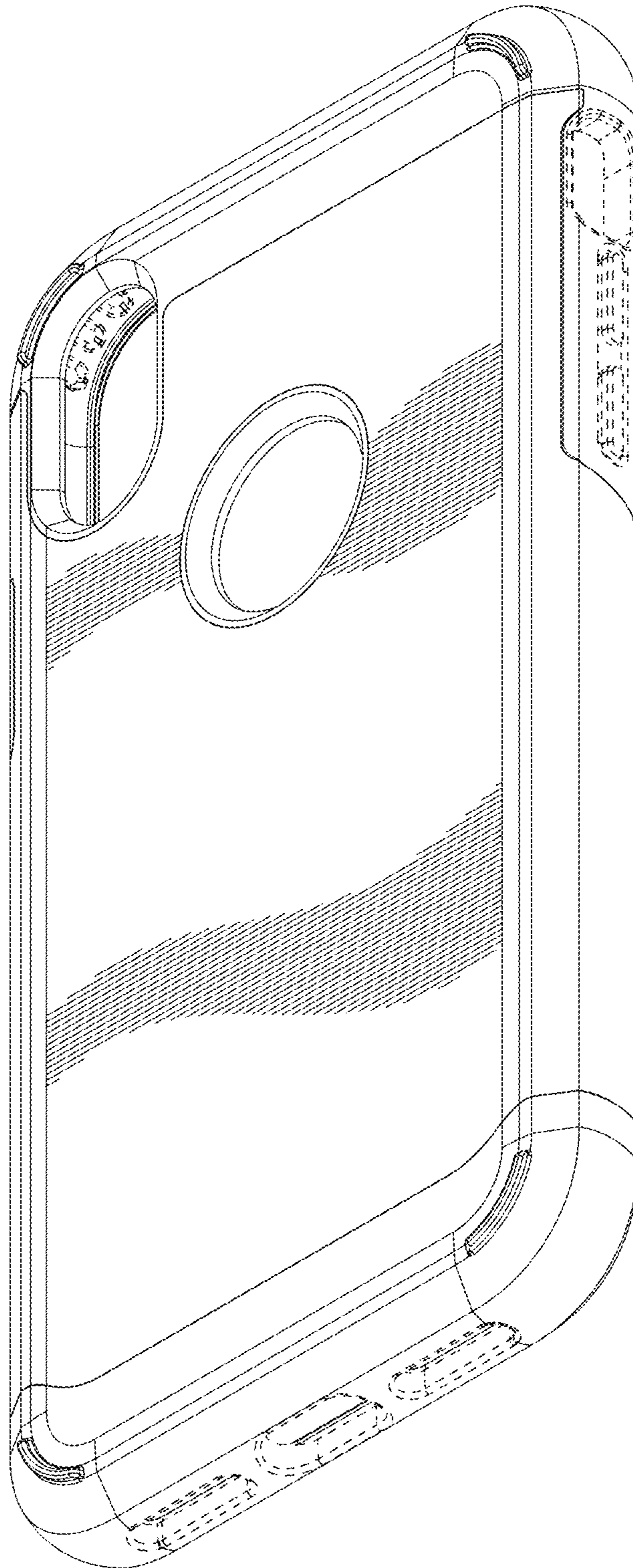


FIG. 5

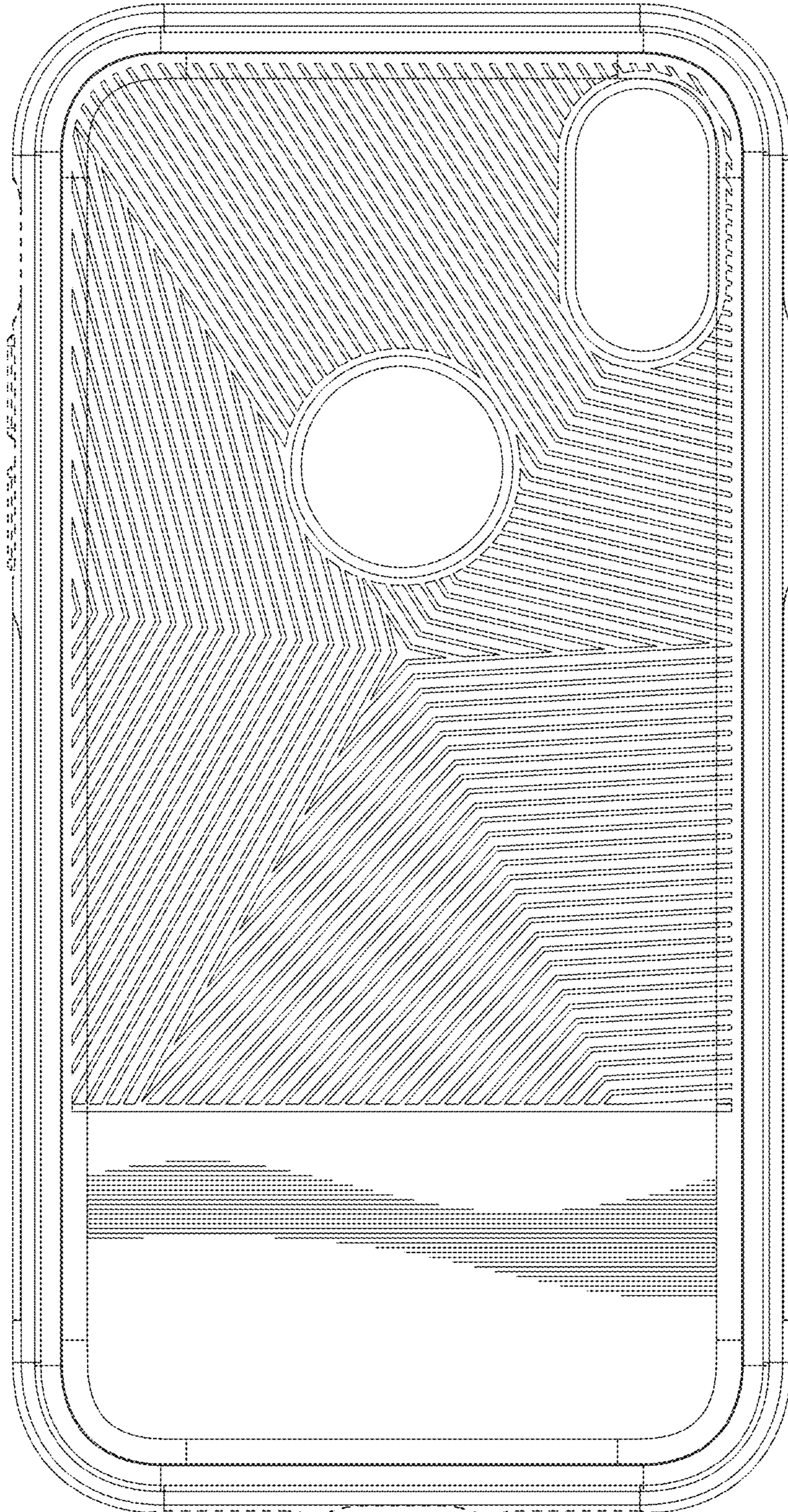


FIG. 6

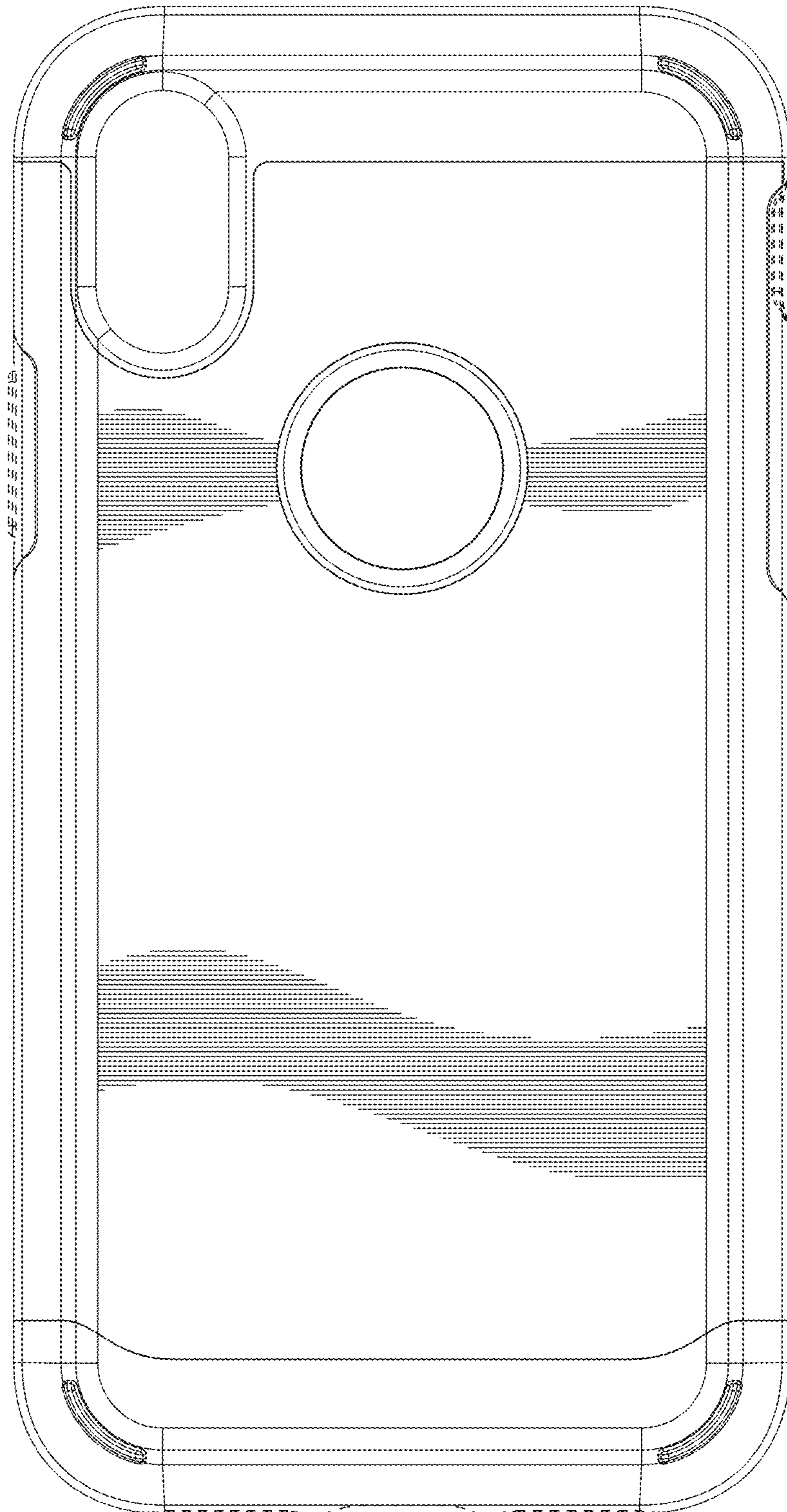




FIG. 7

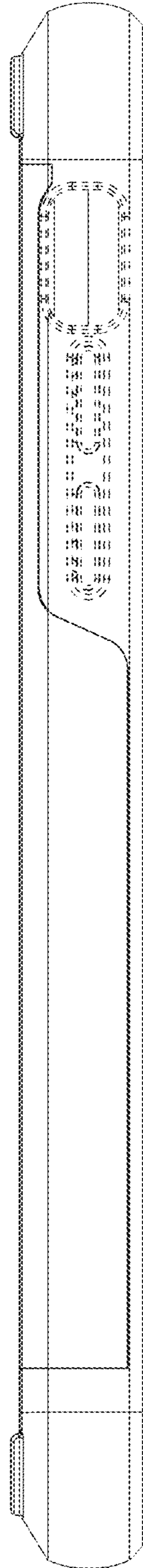


FIG. 8

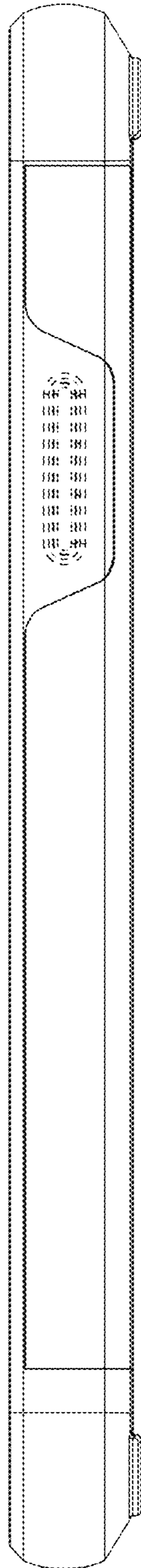


FIG. 9

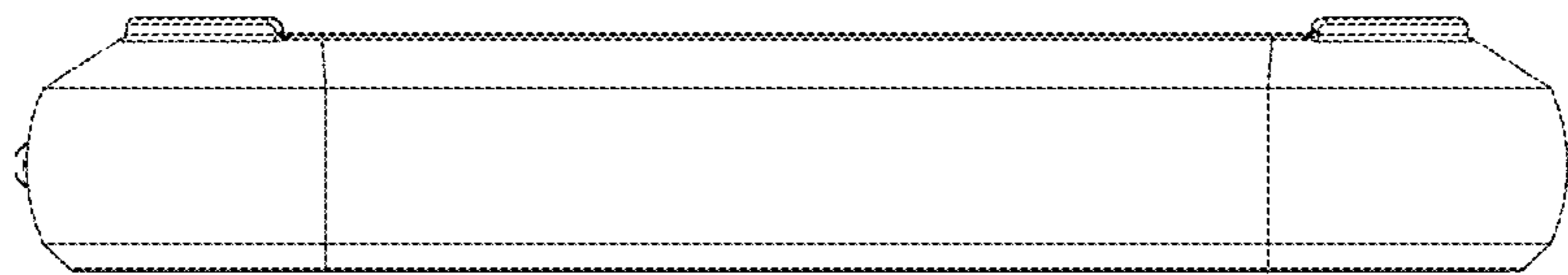


FIG. 10

