



US00D888027S

(12) **United States Design Patent** (10) **Patent No.:** **US D888,027 S**  
**Pei** (45) **Date of Patent:** **\*\* Jun. 23, 2020**

(54) **TV MOUNT BRACKET**

(71) Applicant: **Xubo Pei**, Shenzhen (CN)

(72) Inventor: **Xubo Pei**, Shenzhen (CN)

(73) Assignee: **Xubo Pei**, Shenzhen (CN)

(\*\*) Term: **15 Years**

(21) Appl. No.: **29/676,456**

(22) Filed: **Jan. 11, 2019**

(30) **Foreign Application Priority Data**

Dec. 13, 2018 (CN) ..... 2018 3 0723771

(51) **LOC (12) Cl.** ..... **14-03**

(52) **U.S. Cl.**  
USPC ..... **D14/239; D8/349; D8/363**

(58) **Field of Classification Search**  
USPC ..... D8/349, 363; D14/239  
CPC ..... F16M 11/18  
See application file for complete search history.

(56) **References Cited**

**U.S. PATENT DOCUMENTS**

D624,061	S	*	9/2010	Smith	.....	D14/239
D643,421	S	*	8/2011	Russell	.....	D14/239
D650,373	S	*	12/2011	Stemple	.....	D14/239
D811,375	S	*	2/2018	Pei	.....	D14/239
D811,376	S	*	2/2018	Pei	.....	D14/239
D836,617	S	*	12/2018	Shu	.....	D14/239
D842,283	S	*	3/2019	Pei	.....	D14/239
D848,989	S	*	5/2019	Pei	.....	D14/239
D848,990	S	*	5/2019	Pei	.....	D14/239
D852,790	S	*	7/2019	Pei	.....	D14/239
D858,493	S	*	9/2019	Pei	.....	D14/239
2019/0390817	A1	*	12/2019	Pei	.....	F16M 11/18

**OTHER PUBLICATIONS**

Full Motion TV Wall Mount for TVs 47"-84", posted as early as Nov. 30, 2019, [online], [retrieved Mar. 5, 2020]. Retrieved from internet, <https://www.walmart.com/ip/ONN-Full-Motion-TV-Wall-Mount-for- TVs-47-84/145581487?wmlspartner=wlp&selectedSellerId=0&adid=22222222273%E2%80%A6> (Year: 2019).\*

\* cited by examiner

*Primary Examiner* — Barbara Fox

*Assistant Examiner* — Aram Kwon

(74) *Attorney, Agent, or Firm* — Dave Law Group LLC; Raj S. Dave

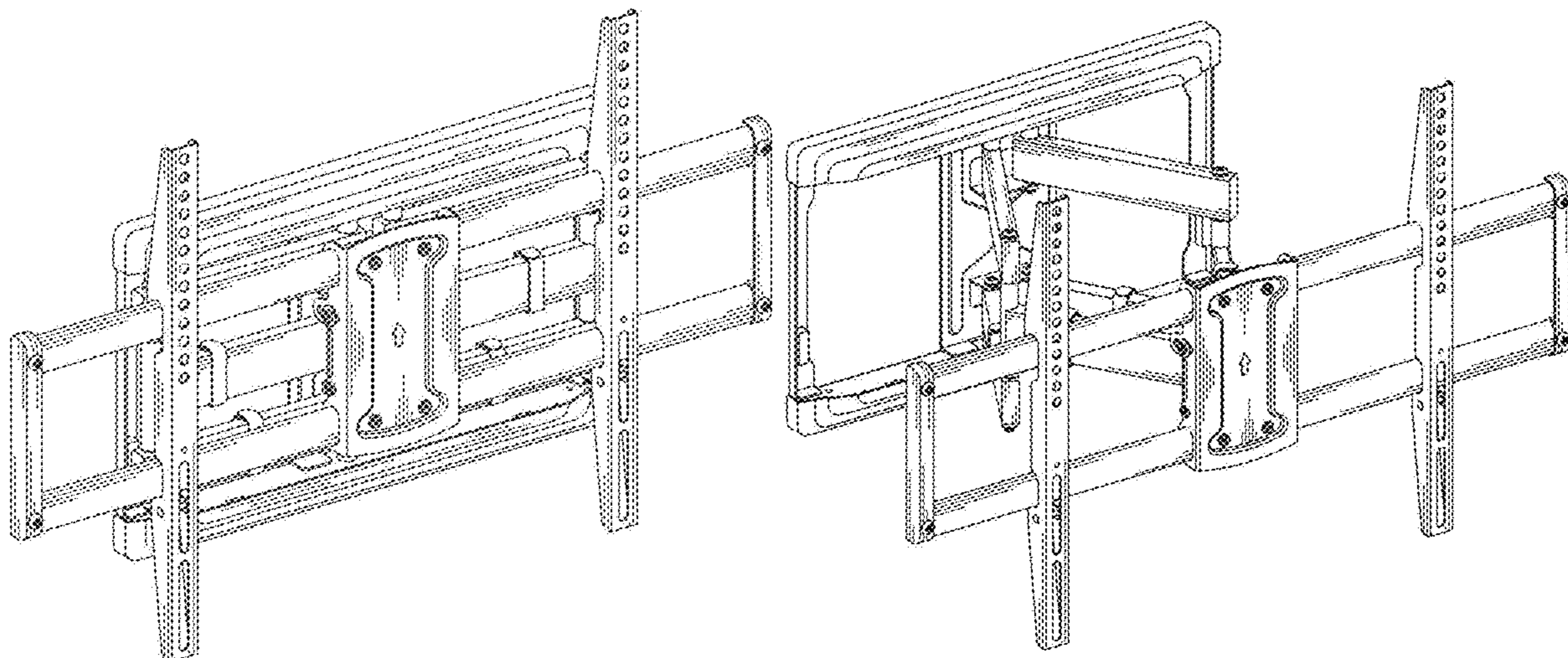
(57) **CLAIM**

The ornamental design for a TV mount bracket, as shown and described.

**DESCRIPTION**

FIG. 1 is a front view of a TV mount bracket showing the new design;  
FIG. 2 is a rear view thereof;  
FIG. 3 is a left side view thereof;  
FIG. 4 is a right side view thereof;  
FIG. 5 is a top side view thereof;  
FIG. 6 is a bottom side view thereof;  
FIG. 7 is a perspective view of the front, top and left side thereof;  
FIG. 8 is a perspective view of the front, top and left side thereof, shown in a partially open configuration; and,  
FIG. 9 is a perspective view of the rear, top and right side thereof, in a fully open configuration.  
The shade lines in the Figures show contour and not surface ornamentation.

**1 Claim, 6 Drawing Sheets**



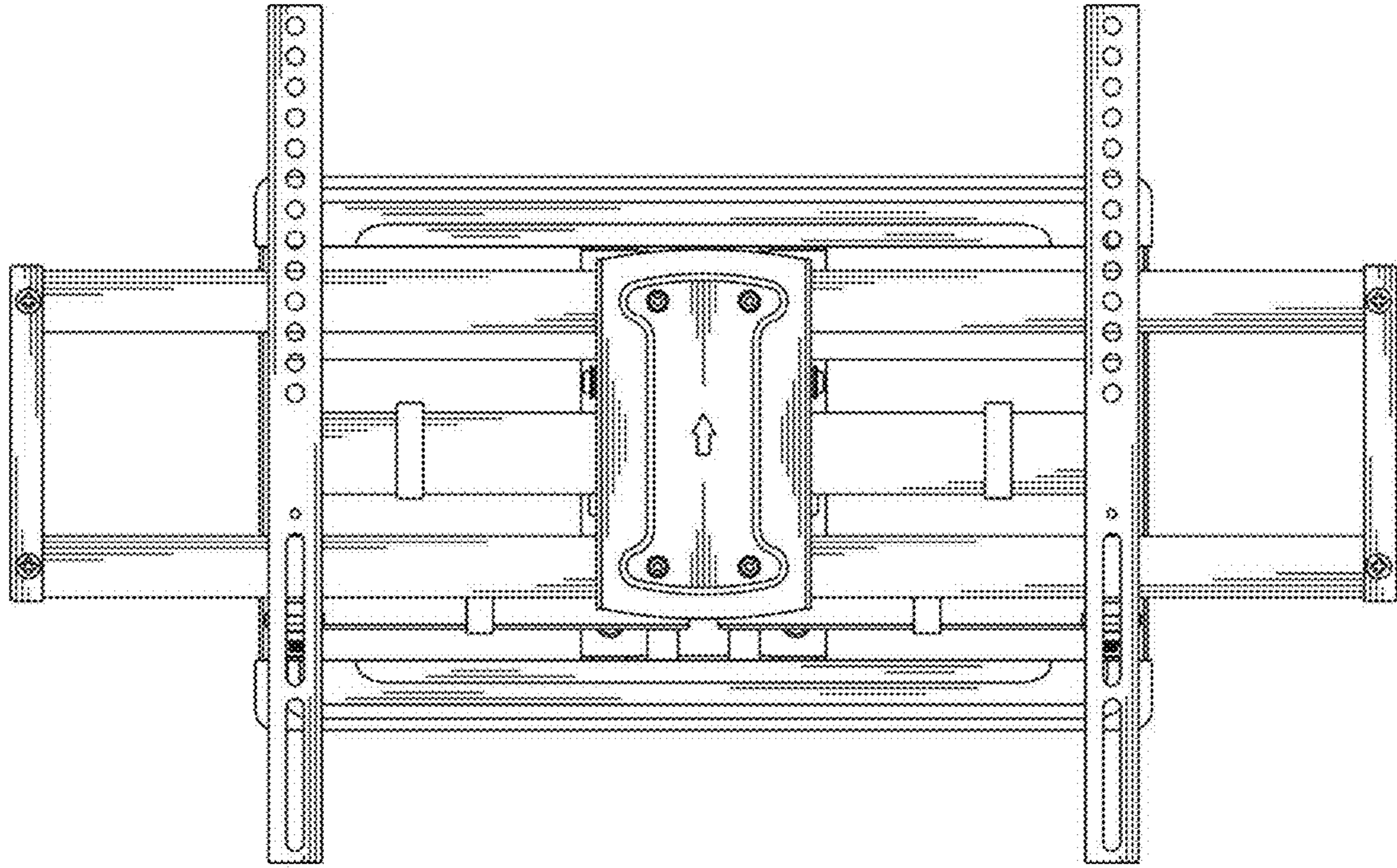


FIG. 1

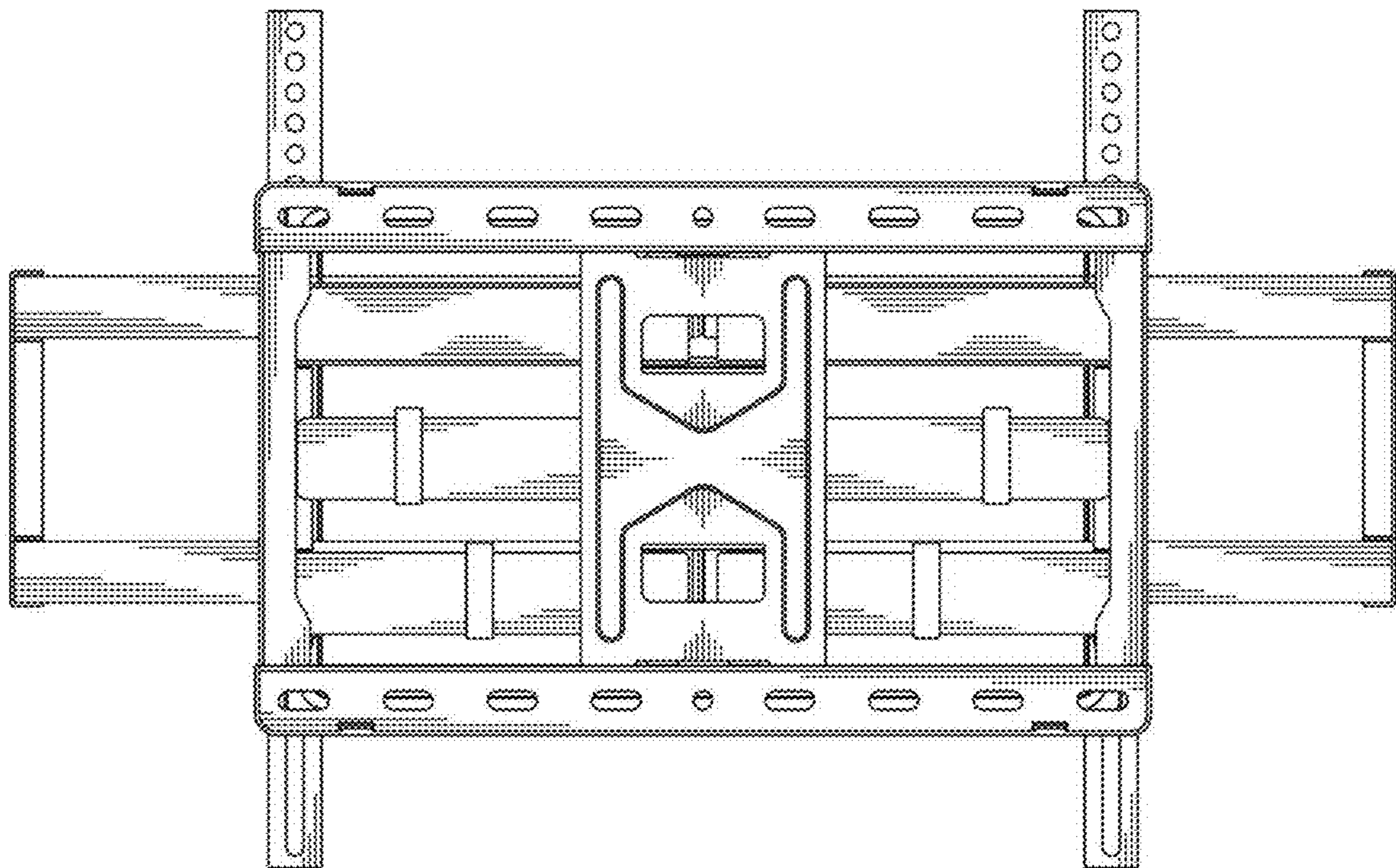


FIG. 2

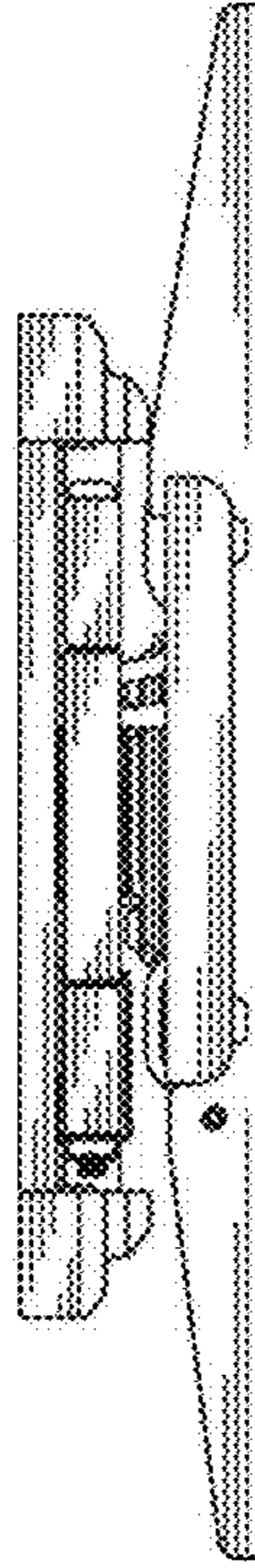


FIG. 3

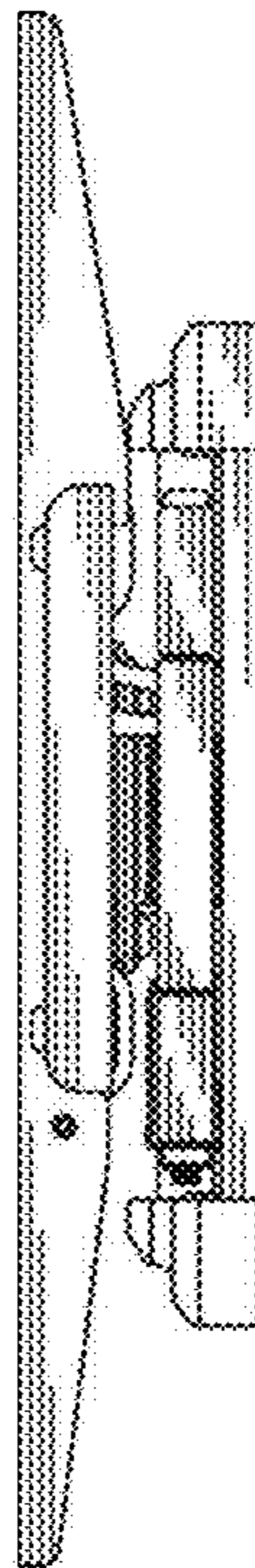


FIG. 4

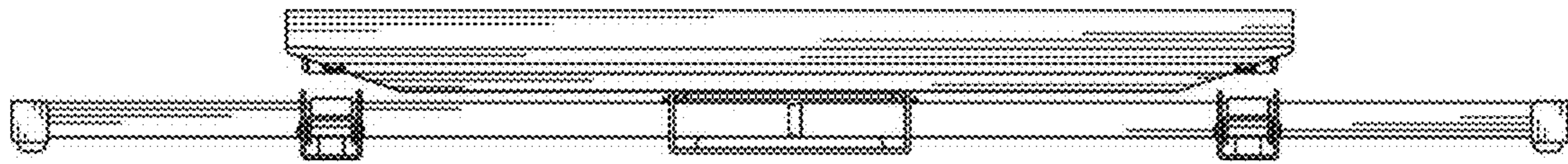


FIG. 5

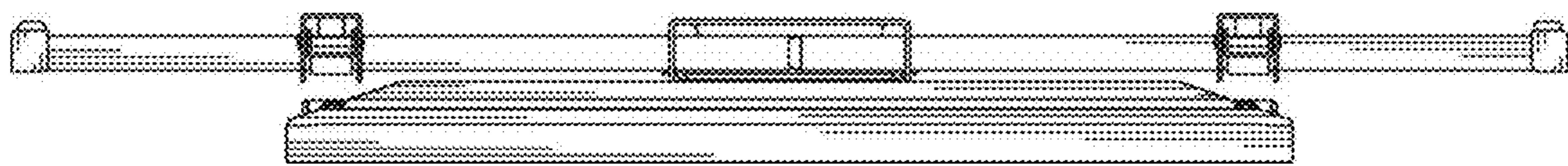


FIG. 6

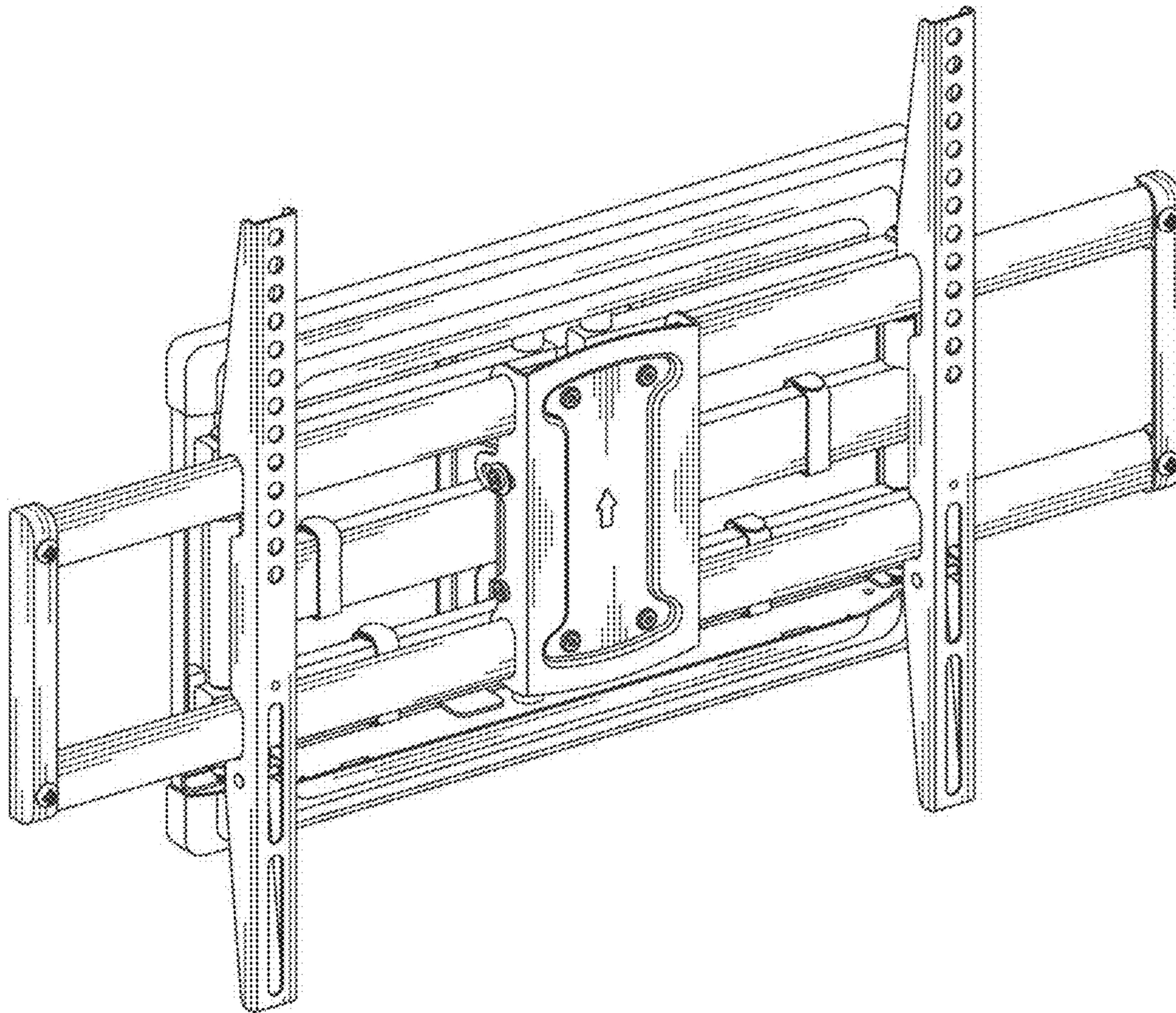


FIG. 7

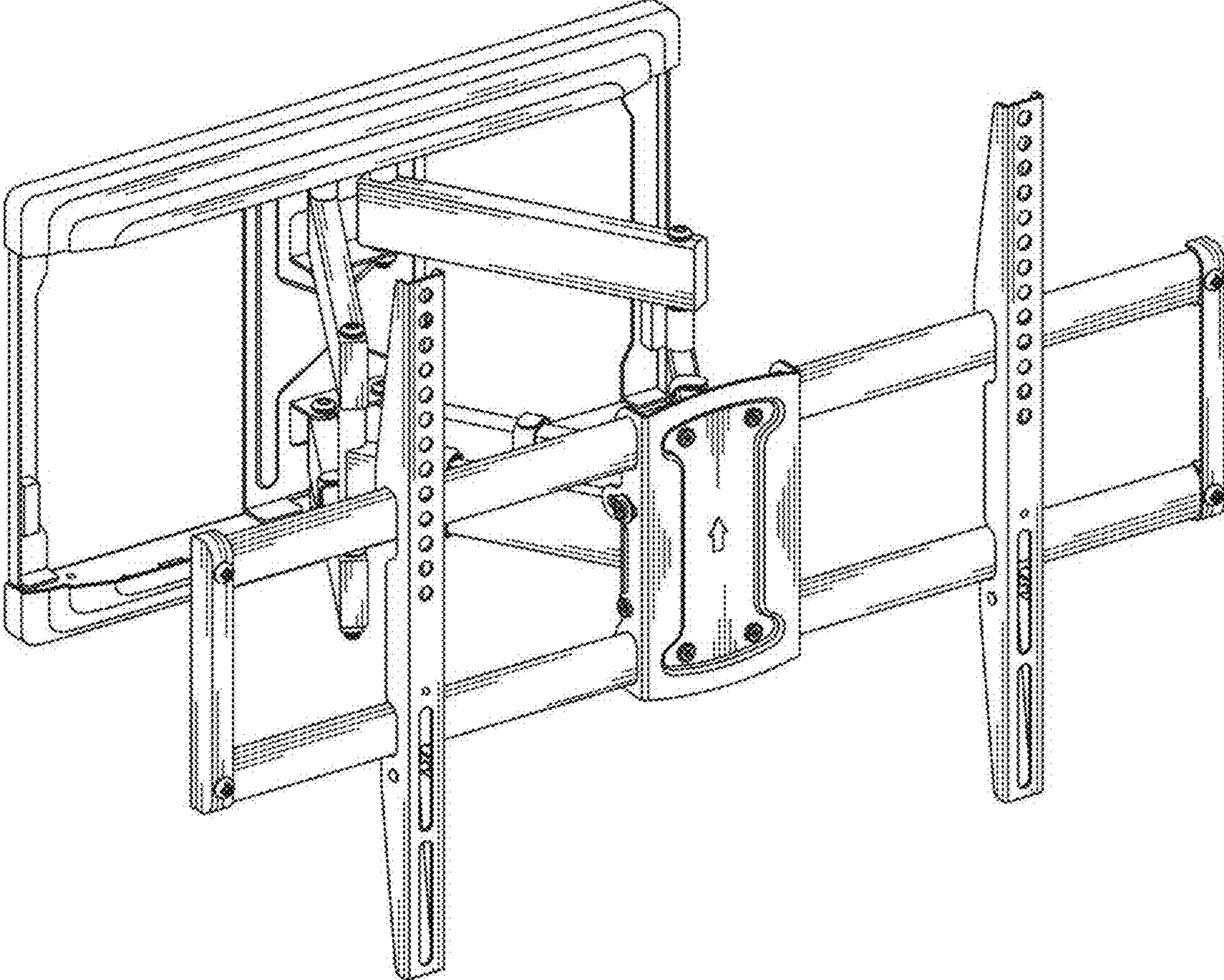


FIG. 8

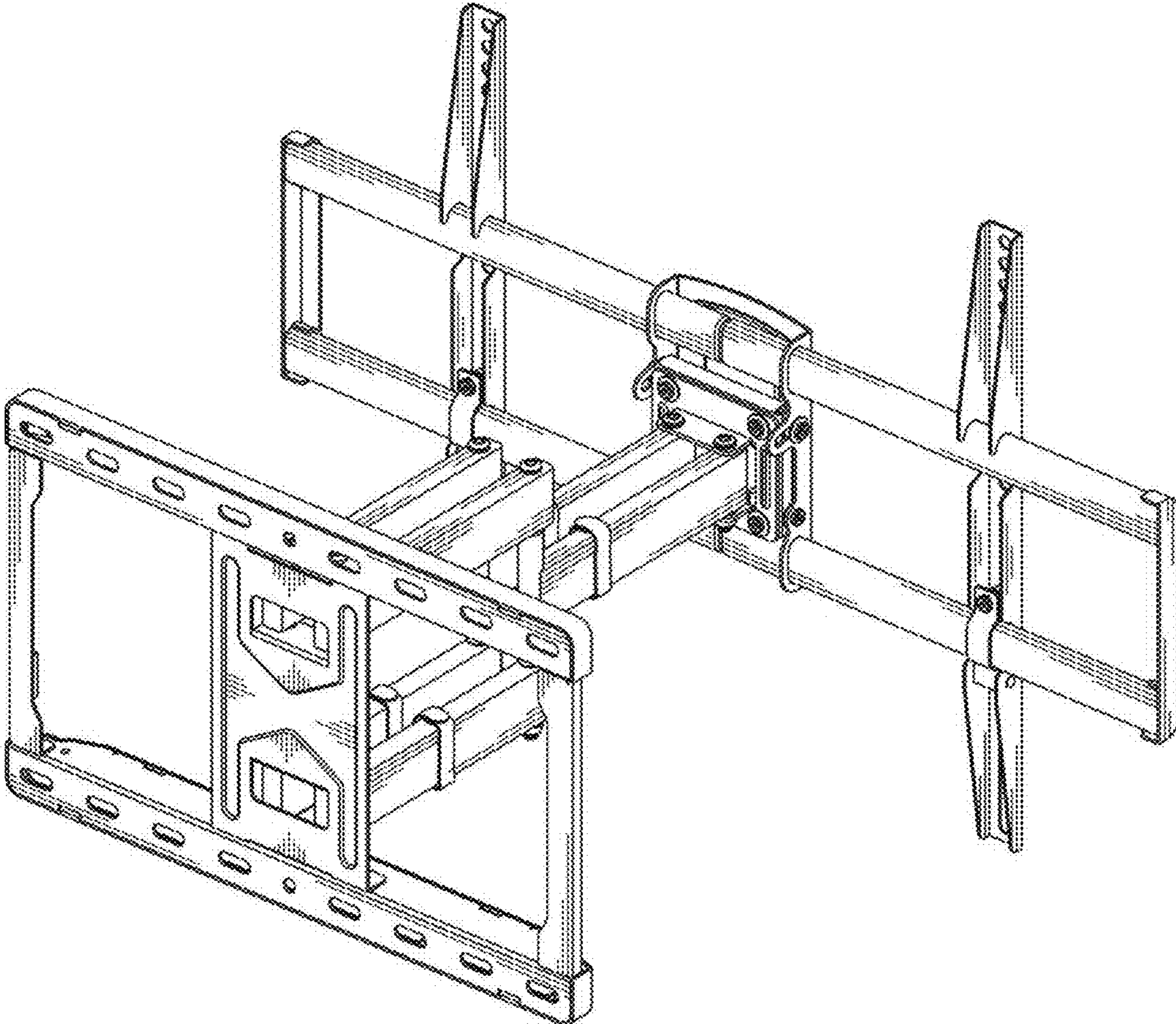


FIG. 9