



US00D888022S

(12) **United States Design Patent**  
**McCune**

(10) **Patent No.:** **US D888,022 S**  
(45) **Date of Patent:** **\*\* Jun. 23, 2020**

(54) **PAIR OF EARBUDS**  
(71) Applicant: **F4PS, LLC**, Draper, UT (US)  
(72) Inventor: **Ted McCune**, Draper, UT (US)  
(\*\*) Term: **15 Years**

D622,706 S \* 8/2010 Tzeng ..... D14/223  
7,778,410 B2 \* 8/2010 Liu ..... H04M 1/05  
379/430  
7,841,446 B2 \* 11/2010 Leong ..... A61F 11/08  
128/867

(Continued)

(21) Appl. No.: **29/707,234**  
(22) Filed: **Sep. 26, 2019**  
(51) **LOC (12) Cl.** ..... **14-01**  
(52) **U.S. Cl.**  
USPC ..... **D14/223**  
(58) **Field of Classification Search**  
USPC ..... D14/223, 205; D24/174; 128/865, 866,  
128/867; D13/107, 108; 181/129, 130,  
181/135; 379/430, 431; 381/380, 381,  
381/370; 455/90.3, 575.1, 569.1  
CPC ..... H04R 1/10; H04R 25/00; H04R 1/1066;  
H04R 1/1016; H04R 5/033; H04R  
5/0335; H04R 1/105; H04R 1/1083;  
H04R 1/1091; H04R 1/1058  
See application file for complete search history.

FOREIGN PATENT DOCUMENTS

CN 305119875 4/2019  
CN 305125192 4/2019

(Continued)

OTHER PUBLICATIONS

True Wireless Earbuds Elegant Bluetooth V4.2 Tws Earphones in Ear Stereo Headphones, retrieved from <http://www.justbread.co.uk/wireless-headphonesmm12/true-wireless-earbuds-elegant-bluetooth-v42-tws-earphones-in-ear-stereo-headphones-two-mini-earplugs-dualuse-built-in-mic-secure-fit-for-running-driving-gym-compatible-with-android-ios-smartphone-magnetic-charger-b0765xkzfrau2031.html>, retrieved Sep. 18, 2019, 3 pages.

(Continued)

Primary Examiner — Paula Allen Greene

(56) **References Cited**

U.S. PATENT DOCUMENTS

D471,889 S \* 3/2003 Rath ..... D14/205  
D479,834 S \* 9/2003 Salazar ..... D14/205  
D497,613 S \* 10/2004 Gwee ..... D14/205  
D514,549 S \* 2/2006 Rath ..... D14/223  
D528,529 S \* 9/2006 Rose ..... D14/138 R  
D528,531 S \* 9/2006 Rose ..... D14/138 R  
D538,792 S \* 3/2007 Kim ..... D14/223  
D542,267 S \* 5/2007 Cha ..... D14/206  
D582,897 S \* 12/2008 Christopher ..... D14/223  
D584,294 S 1/2009 Nam et al.  
D596,166 S \* 7/2009 Henning ..... D14/223  
D597,084 S \* 7/2009 Gondo ..... D14/223  
D603,378 S \* 11/2009 Paradise ..... D14/223  
D603,847 S \* 11/2009 Chung ..... D14/223  
7,648,005 B2 \* 1/2010 Leong ..... A61F 11/08  
128/867  
D622,264 S \* 8/2010 Kim ..... D14/223

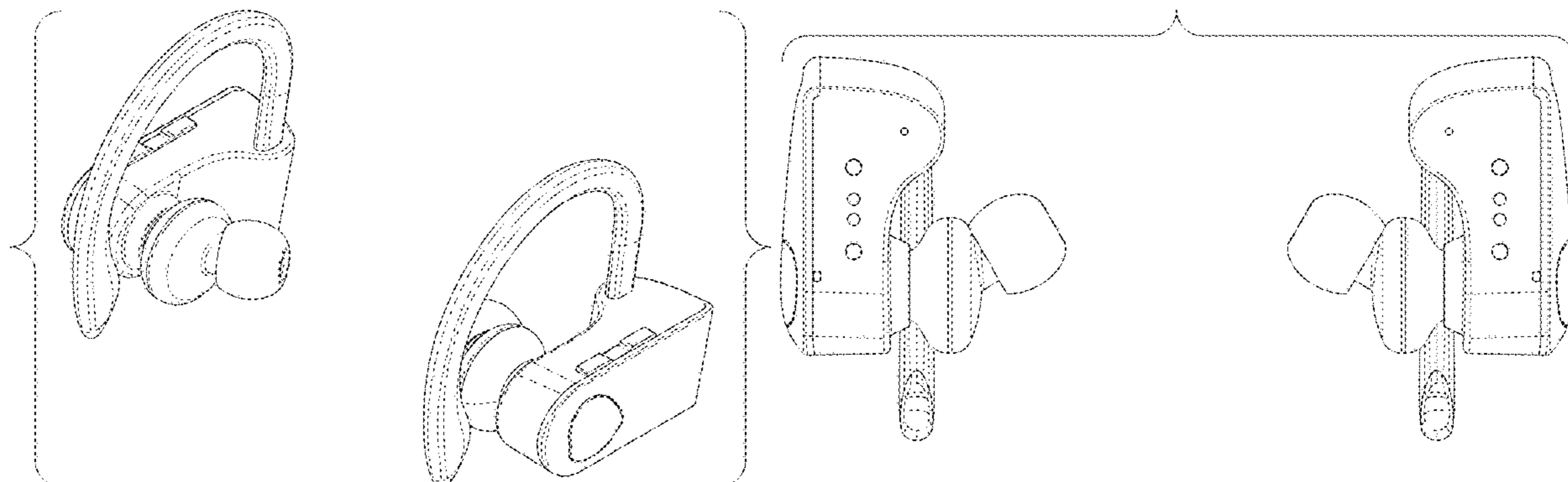
(57) **CLAIM**

The ornamental design for pair of earbuds, as shown and described.

**DESCRIPTION**

FIG. 1 is a perspective view of pair of earbuds of the present invention;  
FIG. 2 is another perspective view thereof;  
FIG. 3 is yet another perspective view thereof;  
FIG. 4 is a rear view thereof;  
FIG. 5 is a front view thereof;  
FIG. 6 is a top view thereof;  
FIG. 7 is a bottom view thereof;  
FIG. 8 is side view thereof; and,  
FIG. 9 is another side view thereof.

**1 Claim, 9 Drawing Sheets**



(56)

References Cited

U.S. PATENT DOCUMENTS

D628,989 S \* 12/2010 Lee ..... D14/223  
 D632,674 S \* 2/2011 Behar et al.  
 D635,960 S \* 4/2011 Gondo ..... D14/223  
 D637,184 S \* 5/2011 March  
 D647,513 S \* 10/2011 Ha ..... D14/223  
 D650,369 S \* 12/2011 Park ..... D14/223  
 8,090,135 B2 \* 1/2012 Lin ..... H04R 1/083  
 381/381  
 D656,490 S \* 3/2012 Birger ..... D14/223  
 D662,088 S \* 6/2012 Brandis ..... D14/223  
 D664,950 S \* 8/2012 Rye et al.  
 8,285,208 B2 \* 10/2012 Terlizzi ..... H04M 1/05  
 455/41.2  
 D685,768 S \* 7/2013 Mogili ..... D14/223  
 D686,196 S \* 7/2013 Lee ..... D14/223  
 D707,659 S \* 6/2014 Henning ..... D14/223  
 D712,382 S \* 9/2014 Brunner ..... D14/223  
 D725,637 S \* 3/2015 Nakajima ..... D14/223  
 D734,744 S \* 7/2015 Brunner ..... D14/223  
 D741,299 S \* 10/2015 Brunner ..... D14/223  
 D743,945 S \* 11/2015 Brunner ..... D14/223  
 D743,946 S \* 11/2015 Brunner ..... D14/223  
 D775,610 S \* 1/2017 Nakajima ..... D14/223  
 D780,721 S \* 3/2017 Brunner ..... D14/223  
 D795,226 S \* 8/2017 Lian ..... D14/217  
 D796,490 S \* 9/2017 Lian ..... D14/217  
 D801,950 S \* 11/2017 Otani ..... D14/223  
 D801,952 S \* 11/2017 Lian ..... D14/223  
 D806,684 S \* 1/2018 Tsai ..... D14/223  
 D827,616 S \* 9/2018 Lian ..... D14/223  
 D834,003 S \* 11/2018 Maeda ..... D14/223  
 D838,692 S \* 1/2019 Fu ..... D14/223  
 D844,588 S \* 4/2019 Brunner et al.  
 D853,994 S \* 7/2019 Lin ..... D14/223  
 D855,588 S \* 8/2019 Hao ..... D14/223  
 D863,265 S \* 10/2019 Hu ..... D14/223

D866,529 S \* 11/2019 Yoshimura ..... D14/223  
 2009/0116678 A1 \* 5/2009 Bevirt ..... C22F 1/006  
 381/381  
 2017/0105679 A1 \* 4/2017 Gil ..... A61B 5/02055

FOREIGN PATENT DOCUMENTS

CN 305125193 4/2019  
 CN 305154282 5/2019  
 CN 305179035 5/2019  
 CN 305210347 6/2019  
 CN 305210348 6/2019  
 CN 305285881 8/2019  
 CN 305291251 8/2019  
 CN 305307029 8/2019

OTHER PUBLICATIONS

Sport Wireless Earphones Bluetooth Earpiece Buds Headphone Earbud Headphones Black Earbuds Earphone; retrieved from <https://www.walmart.com/ip/Sport-Wireless-Earphones-Bluetooth-Earpiece-Buds-Headphone-Earbud-Headphones-Black-Earbuds-Earphone/844697736>, retrieved Sep. 18, 2019, 8 pages.  
 Rowkin Surge Bluetooth Wireless Earbuds (green/black); retrieved from <https://www.focuscamera.com/rowkin-surge-bluetooth-wireless-earbuds-green-black.html>; retrieved Sep. 18, 2019, 3 pages.  
 Mpow Flame Bluetooth Headphones Sport Ipx7 Waterproof Wireless Sport Earbuds; retrieved from <https://www.amazon.com/Mpow-Bluetooth-Headphones-Waterproof-Cancelling/dp/B0753GRNQZ>; retrieved Sep. 18, 2019, 10 pages.  
 Wireless Headphones, Amasky Bluetooth Earbuds Sports Wireless Earphones; retrieved from <https://www.amazon.com/Headphones-AMASKY-Bluetooth-Sweatproof-Cancelling/dp/B07K6JZ4ZP>; retrieved Sep. 28, 2019, 8 pages.  
 Powerbeats3 Wireless Earphones—the Beats Decade Collection, retrieved from <https://www.walmart.com/ip/Powerbeats3-Wireless-Earphones-The-Beats-Decade-Collection/529254232>; retrieved Sep. 18, 2019, 24 pages.

\* cited by examiner

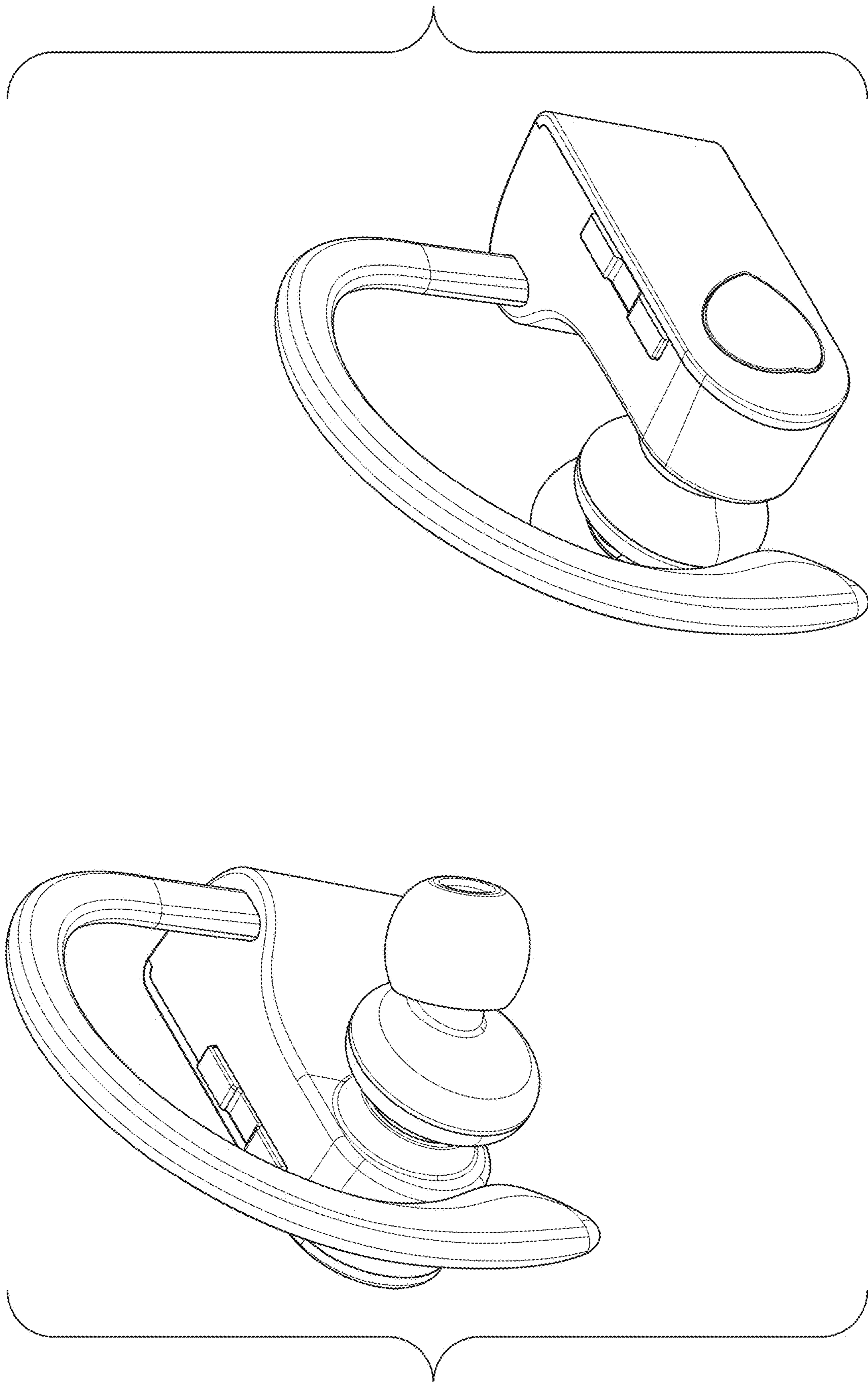


FIG. 1

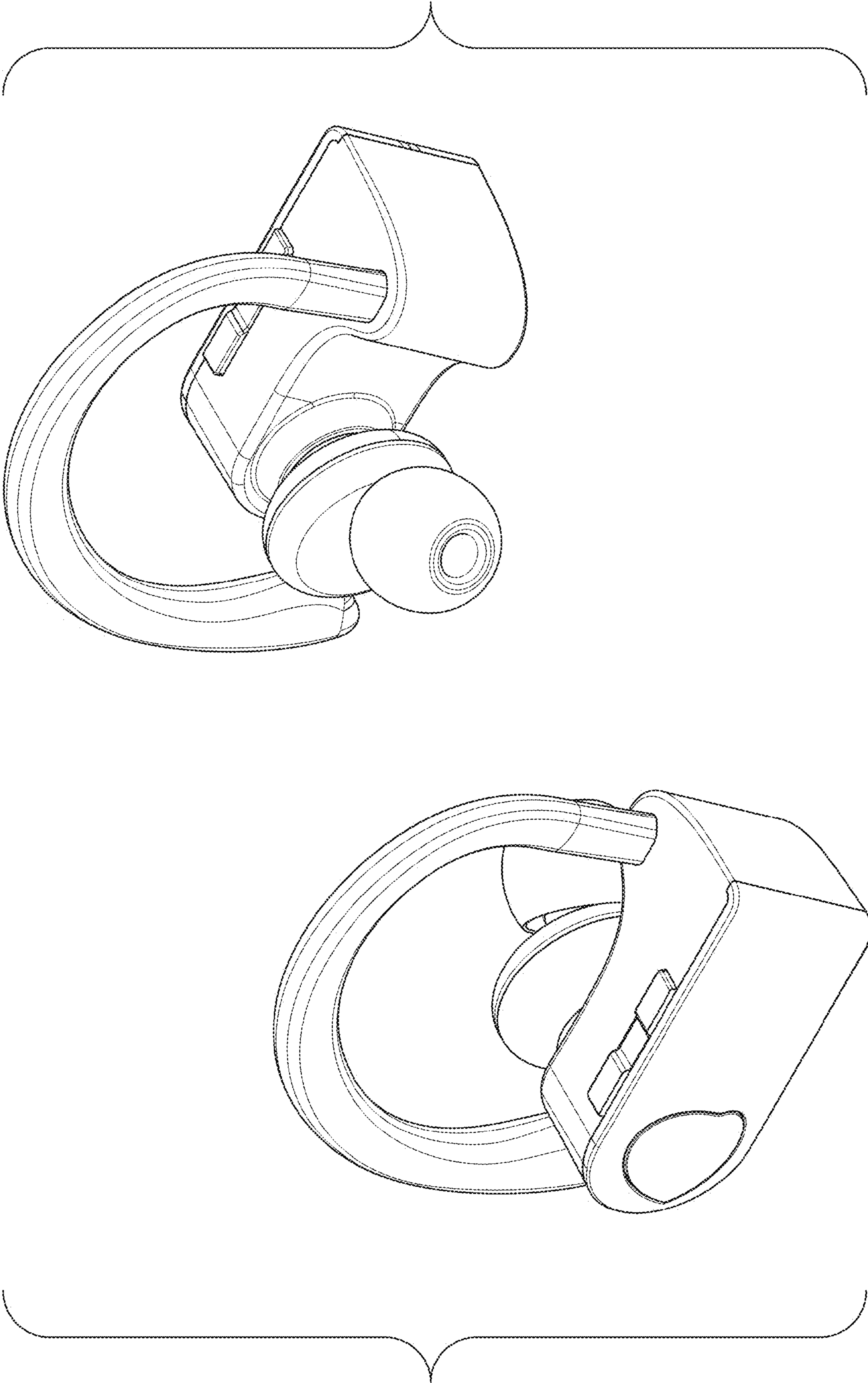


FIG. 2

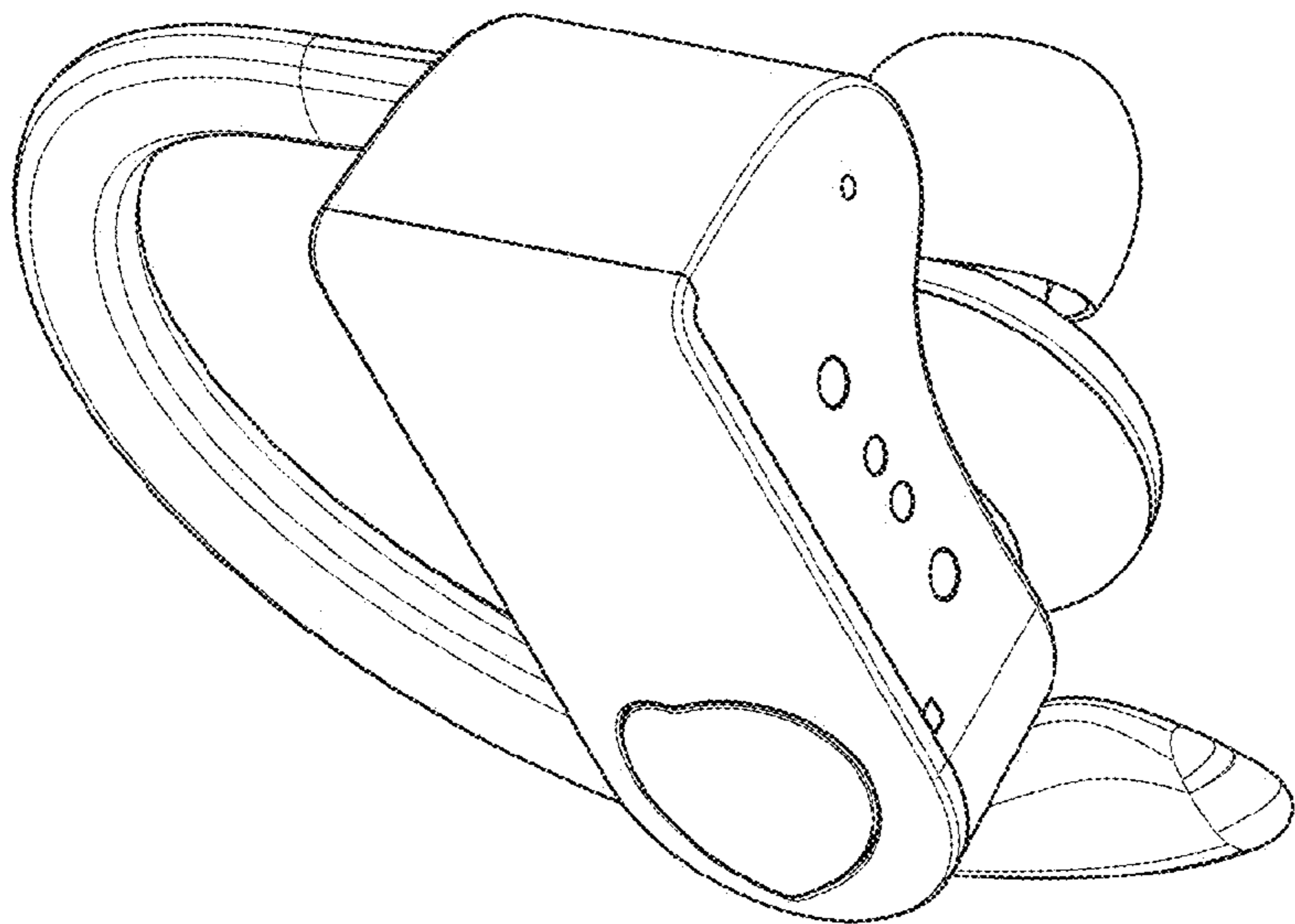
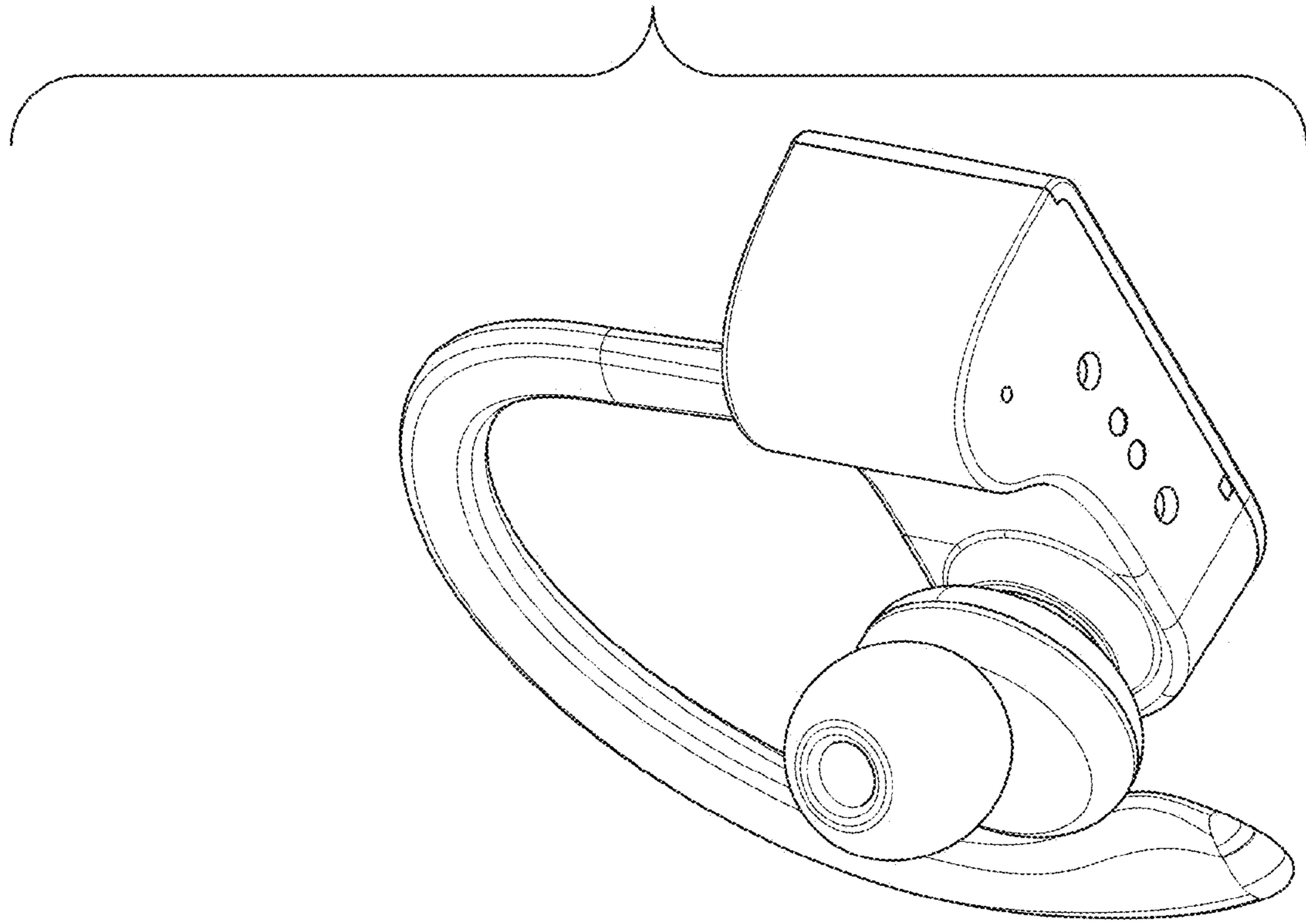


FIG. 3

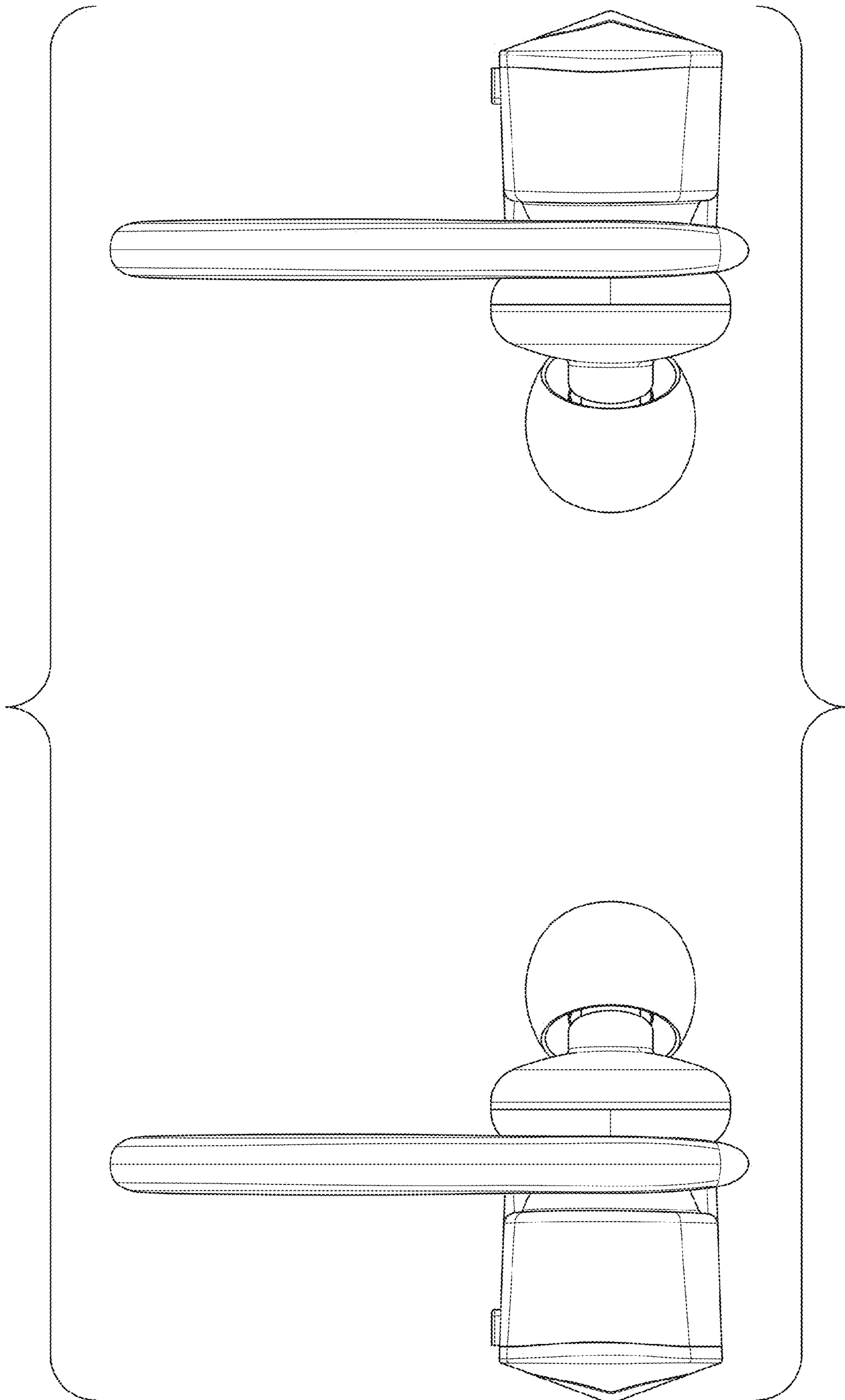


FIG. 4

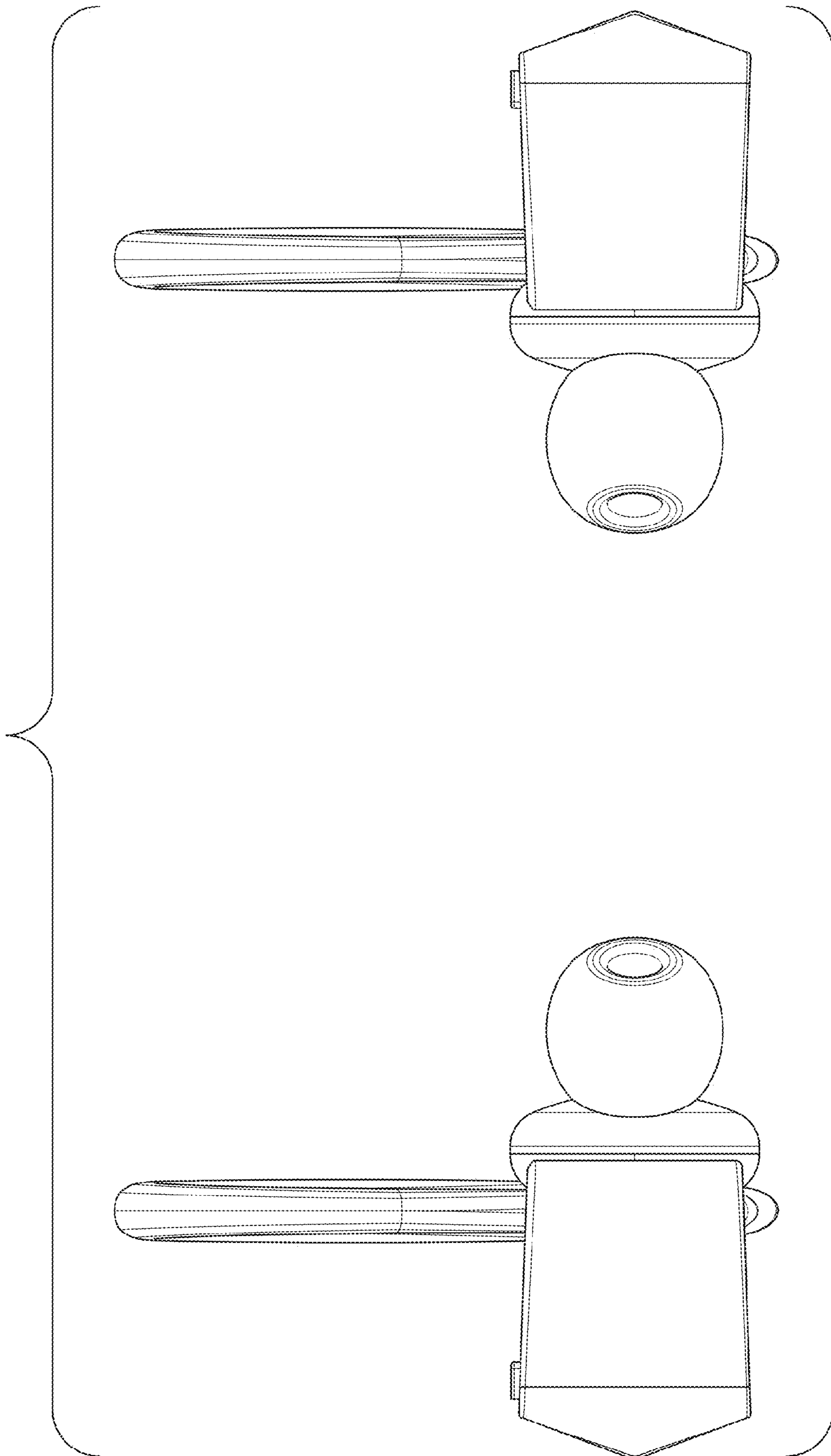


FIG. 5

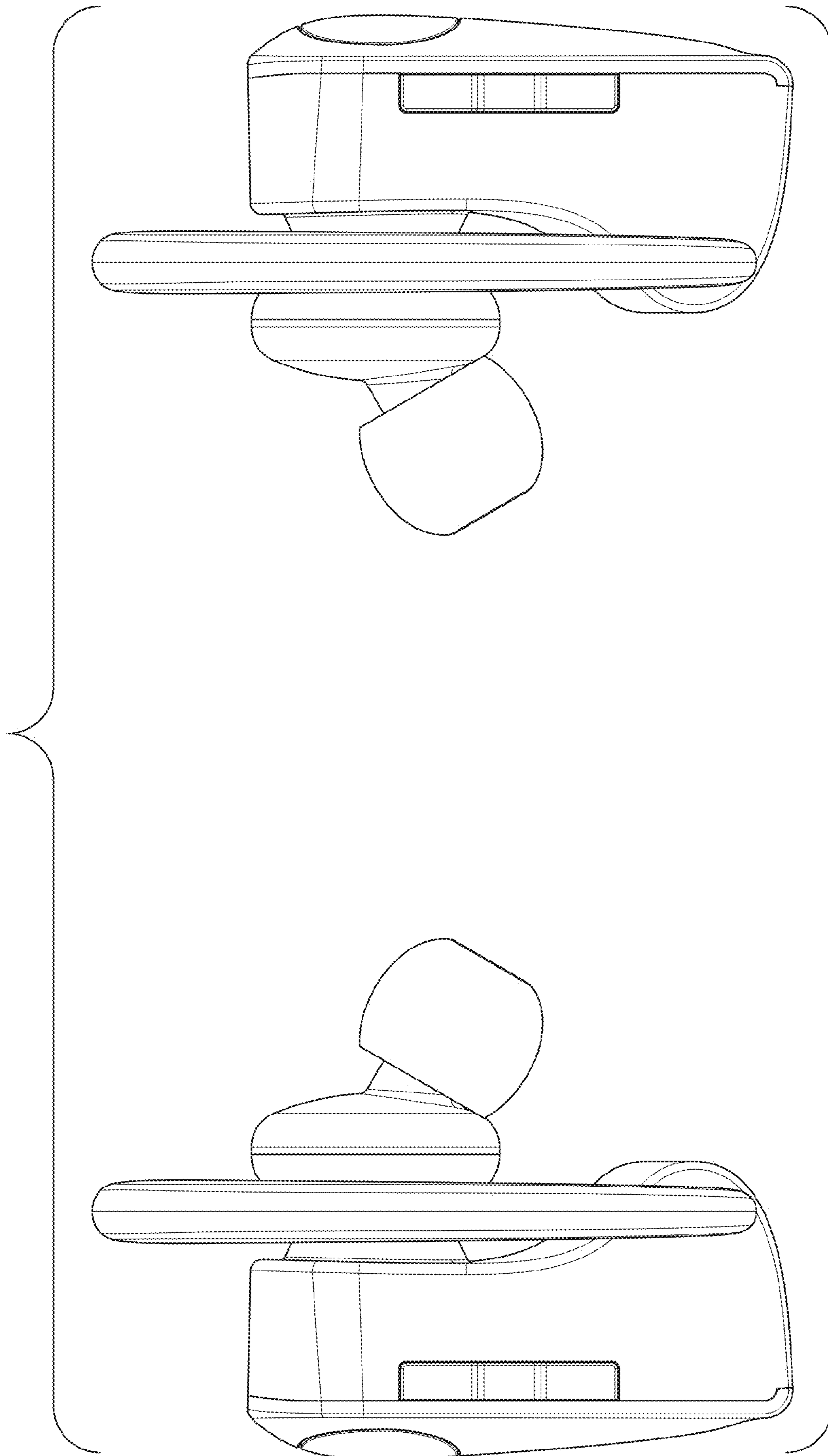


FIG. 6



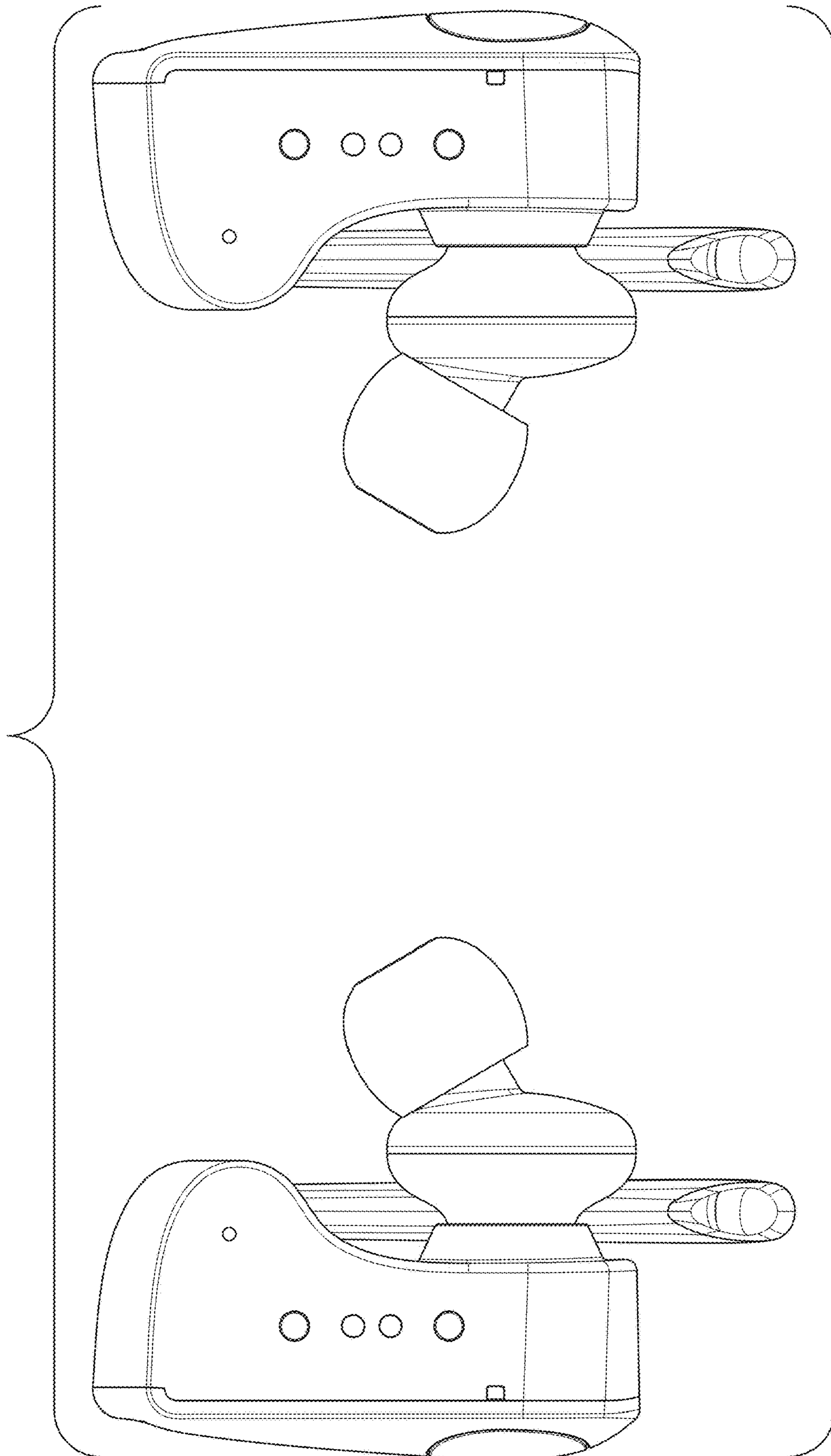


FIG. 7

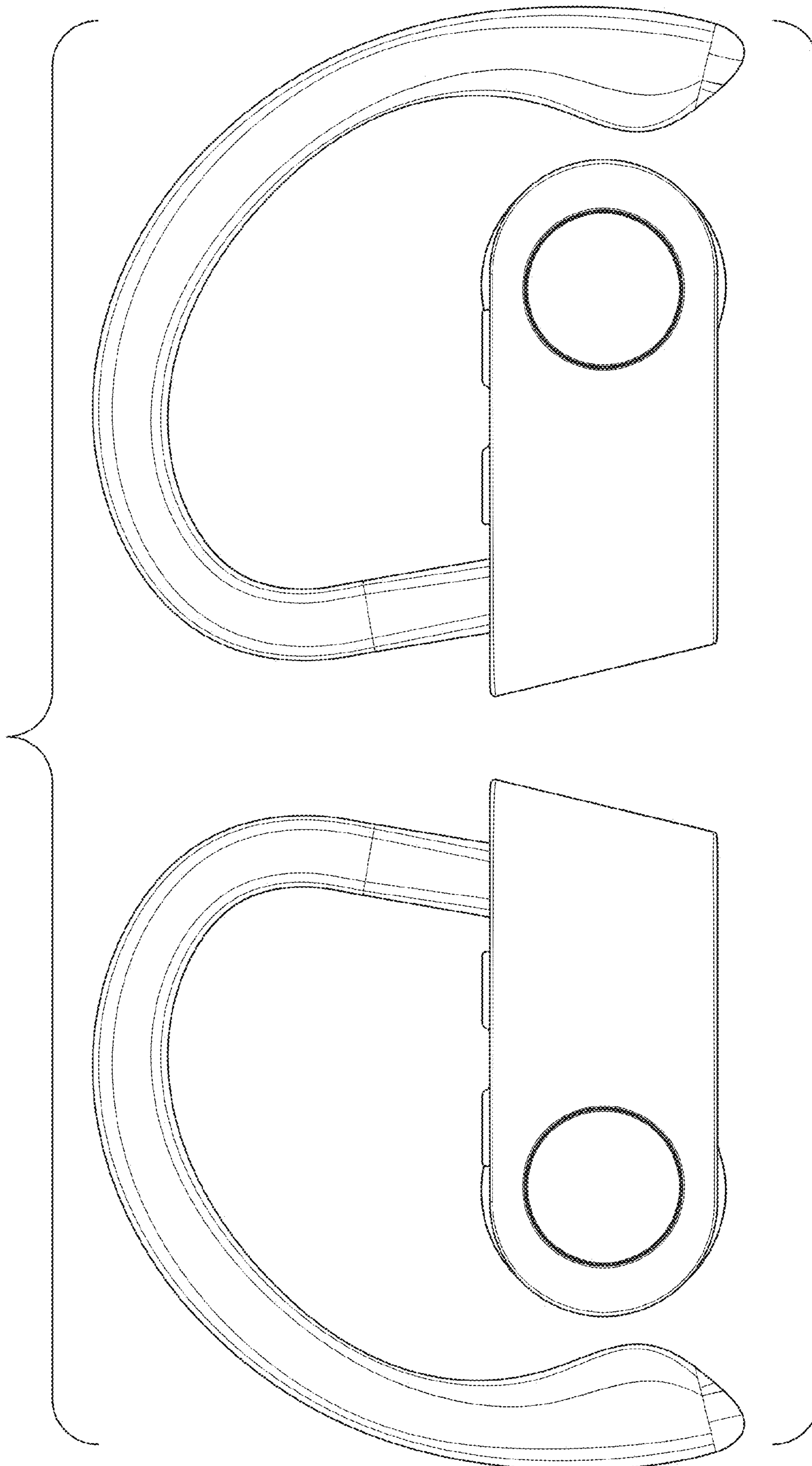


FIG. 8

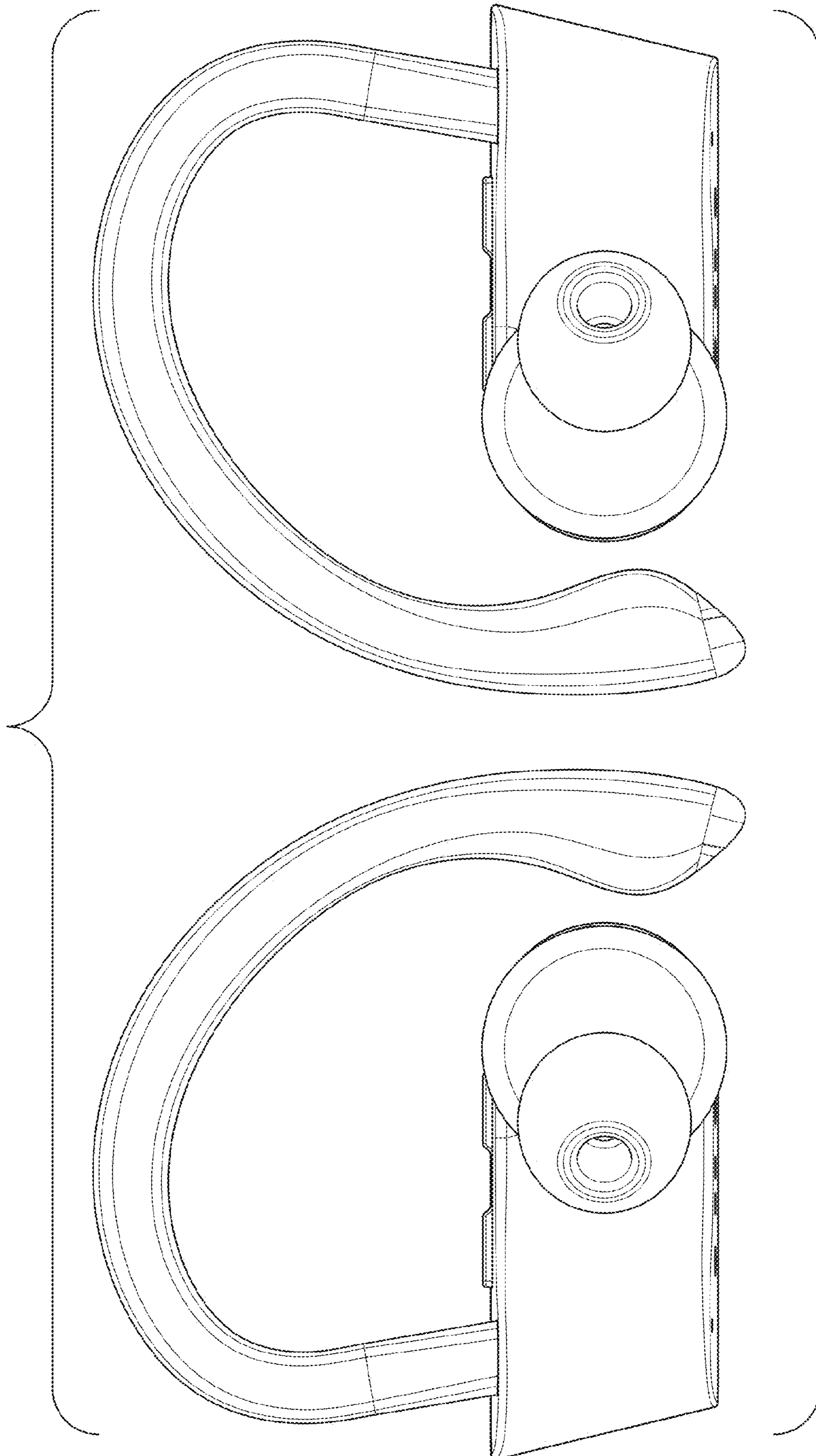


FIG. 9